

Part 1

General Safety Instructions



en	Safety instructions	fi	Turvallisuusohjeet	pl	Bezpieczostni instrukcje
de	Sicherheitshinweise	hr	sigurnosne upute	pt	Ogólne wskazówki dotyczące bezpieczeństwa
fr	Instructions de sécurité	hu	Általános biztonsági utasítások	ro	Instrucțiuni generale privind siguranța
nl	Veiligheidsvoorschriften	is	Almennar öryggisleiðbeiningar	ru	инструкция по безопасности
bg	Общи правила за техника на безопасност	it	Indicazioni per la sicurezza	sk	Všeobecné bezpečnostné pokyny
cs	bezpečostni instrukce	ja	一般的安全説明書	sl	Splošna varnostna navodila
da	Sikkerhedsinstruktioner	lt	Bendri saugos nurodymai	sr	Sigurnosno uputstvo
el	Υποδείξεις ασφαλείας	lv	Vispārīgās drošības norādes	sv	Säkerhets instruktioner
es	Instrucciones de seguridad	no	Sikkerhetshenvvisninger	tr	Genel Güvenlik Talimatları
et	Üldised ohutusalsed juhised				

Manual Part 2



Jungle Gym

BACKYARD PLAYGROUNDS

since 1988



EN. Warnings. Only for domestic use. **DE.** Achtung. Nur für den Hausgebrauch. **FR.** Attention. Réservé à un usage familial. **NL.** Waarschuwingen. Uitsluitend voor huishoudelijk gebruik. **BG.** Внимание. За употреба само в домашни условия. **CS.** Varování. Jen pro domácí použití. **DA.** Advarsler. Kun til privat brug. **EL.** Προειδοποιήσεις. Μόνο για οικιακή χρήση. **ES.** Advertencias. Sólo para uso doméstico. **ET.** Hoiatused. Ainult koduseks kasutamiseks. **FI.** Varoitukset. Ainoastaan kotikäyttöön. **HR.** Upozorenja. Samo za kućansku uporabu. **HU.** Figyelmeztetések. Csak otthoni használatra! **IS.** Varnaðarorð. Eingöngu fyrir einkanotkun í heimahúsum og á einkalóðum. **IT.** Avvertenze. Solo per uso domestico. **LT.** Įspėjimai. Tik buitiniam naudojimui. **LV.** Brīdinājumi. Izmantot tikai mājās. **NO.** Advarsler. Kun for privat bruk. **PL.** Ostrzeżenia. Wyłącznie do użytku domowego. **PT.** Avisos. Apenas para uso doméstico. **RO.** Avertismente. Numai pentru uz domestic. **RU.** Предостережения. Только для домашнего использования. **SK.** Upozomenia. Iba na domáce použitie. **SL.** Opozorila. Samo za domačo uporabo. **SR.** Upozorenja. Samo za kućnu upotrebu. **SV.** Varningar. Endast för hemmabruk. **TR.** Uyarılar. Sadece ev kullanımı için.

UK
CA

CE

EN 71-1,-2,-3,-8&-9

Playset information



Proof of Purchase

Name Play set
Name des Spielgerätes
Nom de jouet
Naam speeltoestel

Kind of timber used
Art des gebrauchten Holzes
Genres de bois utilisé
Gebruikte houtsoort

Kind of ground surface material
Material der Bodenbedeckung
Matériau de surfaces absorbant les chocs
Soort schokabsorberend materiaal

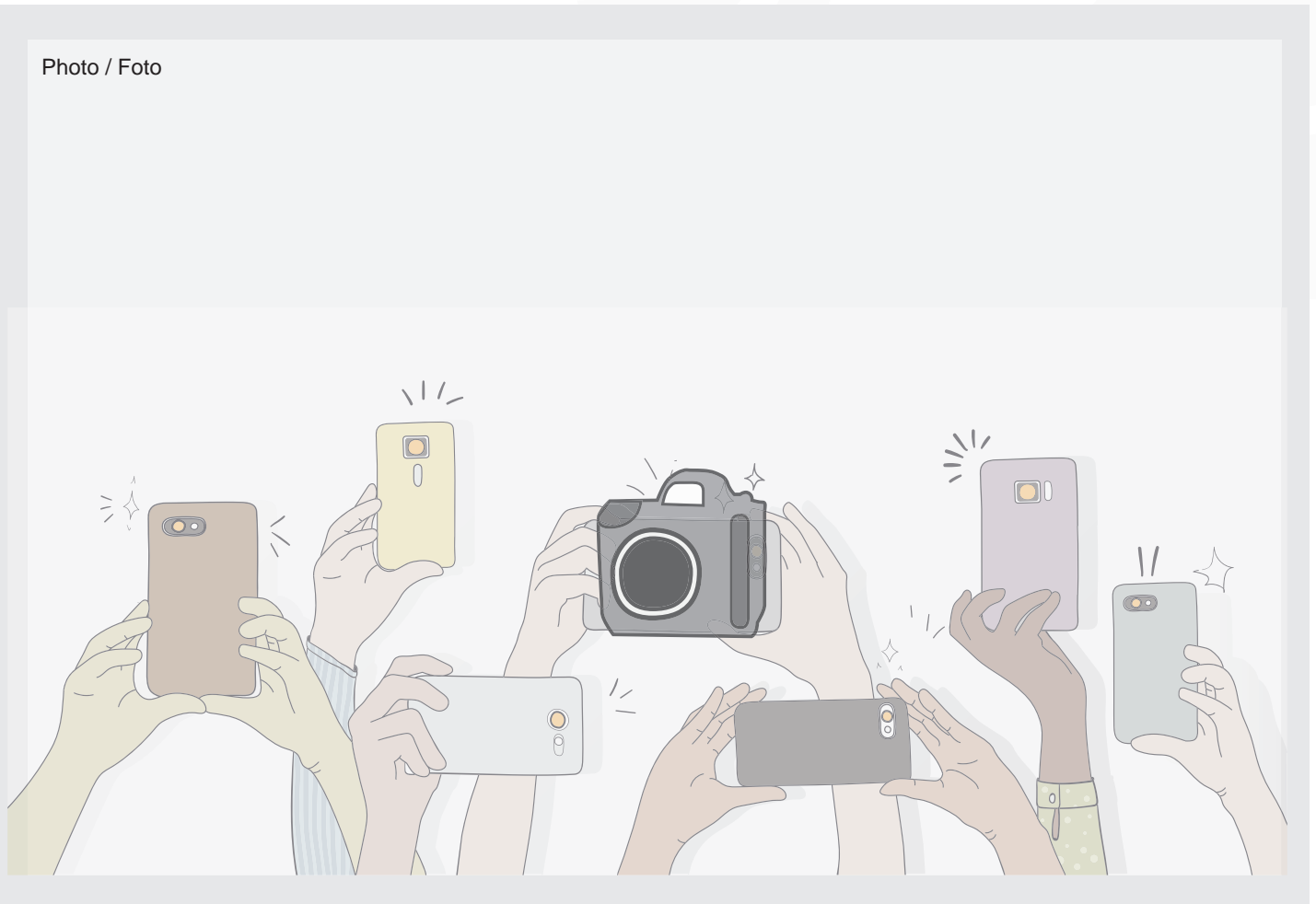
Extra modules/ accessories
Extra Module / Zubehör
Modules / accessoires Supplémentaire
Extra modules/ accessoires

Point of sale address
Adresse der Verkaufsstelle
l'Adresse du point de vente
Adres verkooppunt

Date of purchase / Kaufdatum
Date d'achat / Aankoopdatum



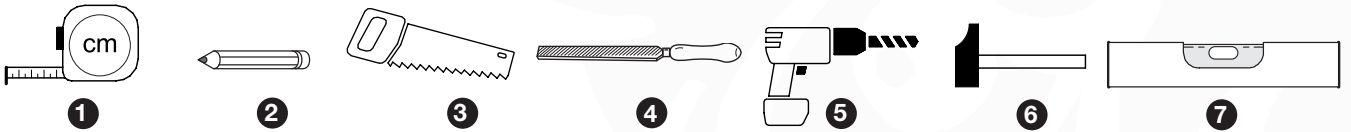
Photo / Foto



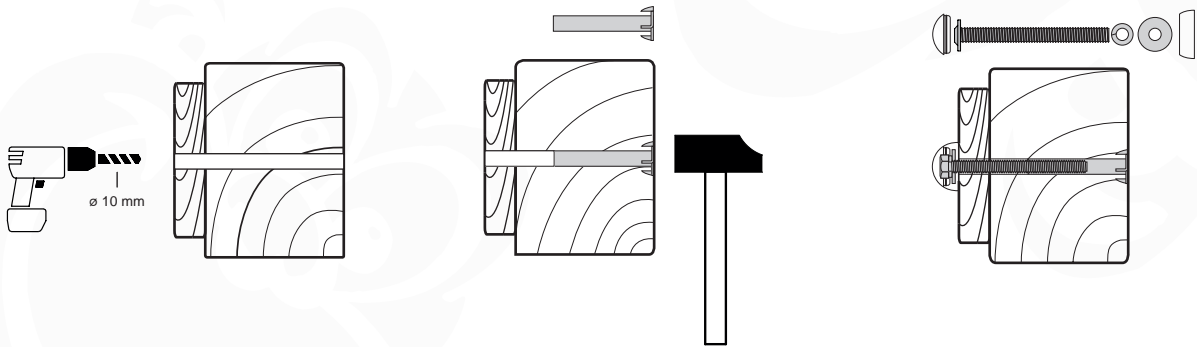
1



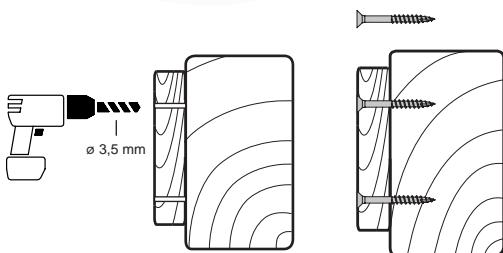
2



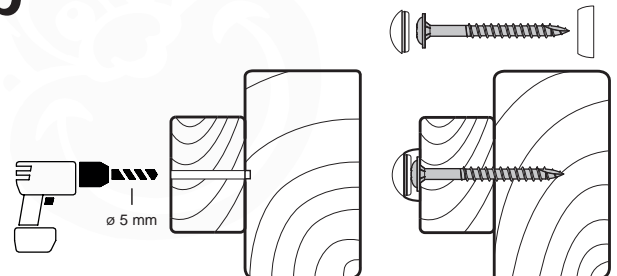
3



4a



4b



GENERAL SAFETY INSTRUCTIONS

Congratulations on the purchase of this Jungle Gym® Do It Yourself kit. With this Jungle Gym® kit we are confident that you will be able to build a safe play set that will provide pleasure for your children for many years.

Jungle Gym® kits contain specially developed hardware. This material is designed with great care and with the safety of your children as a first matter of importance. The hardware has no sharp angles or protruding parts and is protected against all kinds of weather. All the parts in the kits are designed according to the EN 71-1,-2,-3, -8 & -9 (European Safety Standard) for domestic use, on the condition that the playground equipment is assembled and used properly in accordance with the manual. Do not deviate from these plans or alter the design.

Warnings. Only for domestic use. Only for outdoor use. Maximum user weight is 50 Kg. Not suitable for children under three years. Suitable for children from three to ten years.

This product is intended only for domestic use. Usage in a public setting such as a park, playground or school is a misuse of the product and may result in premature wear and also serious injury.

Carefully read these assembly instructions before you start with the assembly and save these instructions for future reference.

SAFETY INSTRUCTIONS

Timber

- Treat all sawed surfaces and ends with an outdoor wood preservative to prevent the wood from rotting; even when pressure treated wood is being used.
- Pay extra attention to parts that make contact with the ground.
- Treat all counter sunk holes and holes for the Rope ladder or Climbing rope with stain.

Safe play area

- Place the playset on an unpaved steady surface, such as grass or a solid layer of sand. Do not install your play set over concrete, gravel, asphalt, or any other hard surface.
- The ground surface must be level. Installing your play set on sloping ground can cause it to lean or "rack". This leaning puts additional stress on all connections and joints and in time will cause those connections to loosen and fail.
- The safe play area refers to a zone extending 6' (200 cm) beyond the play set on all sides. A fall onto a hard surface can result in serious injury. Install the ground cover in the safe play zone. The following is a list of recommended ground covers.

Suggested material	Minimum uncompressed depth
Double shredded bark mulch	20" (50 cm)
Uniform wood chips	20" (50 cm)
Fine gravel	20" (50 cm)
Fine sand	20" (50 cm)
Grass	

- Remove all tripping hazards such as rocks, stumps, roots etc. from the safe play area.
- The safe play area must be free of all structures, fences, garage, house, overhanging branches, laundry lines, electrical wires and other obstacles to ensure safe play.
- Do not situate your play set in the direction of walks or gangways.
- Any edging used to contain the ground cover must be beyond the safe play area (Landscape timbers or other edgings).

Safe installation

- Children should stay out of the work area until the safe play areas cleared of obstacles, the play set has been completely installed, all hardware has been tightened and checked, and all tools and other items that don't belong in the play area have been picked up.
- When building this play set, at least two adults are required for lifting and holding beams, frames or other heavy assemblies in position before bolting or screwing.
- Check all the parts and group them systematically within reach.
- Compare these with the parts list.
- Wear proper clothing and safety equipment (e.g. safety glasses, dust mask and gloves) when you saw, drill, grind, stain or assemble the play set, especially when working with pressure treated timber.
- Follow the manufacturers' safety recommendations for the tools and equipment you use.
- Do not stand on the platform until the play set has been completely assembled; use a stepladder if you can not reach high enough.
- Avoid assembling your gym in poor weather conditions.
- The play set must be securely anchored to prevent the play set from turning over or shoving. If soil conditions permit stakes to be pulled out easily, cementing is required. Be sure that the ground anchors do not stick out of the ground because children can trip over them.
- After assembly be sure to use a metal saw to cut off any protruding threaded ends of bolts and other fasteners. Remove any sharp edges with a metal file.
- To prevent splinters, sand the wood with a piece of sandpaper
- Also smooth all corners with sandpaper or a metal file to a radius of 1/8" (3 mm).
- Do not attach extra items to this gym set, such as ropes, chains, heavy cord or other items.
- Do not combine products of other manufacturers with Jungle Gym® products because they may create safety hazards.
- Only use the Rope Locks™ in combination with Jungle Gym® swing hooks. Do not use the Rope Locks™ for other purposes, such as mountain climbing or pulling loads.
- The screw thread of the Swing Hook LS must be screwed into the wood fully and tight against the cross beam. It is important that you align the Swing Hook in the proper position. An improperly installed or misaligned swing hook will break or -pull out and cause injury!
- The distance between swinging accessories (for example a swing seat) and the ground should be at least 14" (35 cm).
- The distance between an accessory and the frame, should be at least 12" (30 cm).
- The distance between the Swing Hooks should be 18" (45 cm).
- The distance between swinging accessories should be 18" (45 cm).

- A Climbing rope or a Rope ladder always has to be secured at both top and bottom, because the free-hanging Rope could cause serious injury or death due to strangulation. Ropes should not be capable of looping back on themselves.

INSPECTION AND MAINTENANCE

To ensure the safety of the users of the play set, the play set has to be subjected to the safety inspections mentioned below once at the beginning of each season and further twice monthly during the usage season. If the maintenance checks are not carried out regularly the activity toy could overturn or otherwise become a hazard.

Wood components

- Inspect for splinters and possible other structural defects.
- Maintain the set with periodic applications of exterior wood preservative to prevent wood rot. Do not use paint or other finishes that can cause a slippery surface.

Hardware

- Check all hardware to be sure it is tight. Caution: over-tightened hardware crushes the fibres of the wood resulting in split-boards.
- Check the remaining hardware, brackets and swing hooks also for rust, which can have effect on the strength. Replace when necessary.
- Check the ground anchors to be sure that they are secured. If necessary, reposition or replace.
- Check all coverings for bolts and sharp edges and replace when required.

Accessories (if appropriate)

- Check Rope Locks™ to be sure they are properly installed onto the Jungle Gym® swing hooks. To check the Rope Locks HC, hang with your full bodyweight onto each individual swing rope for a couple of seconds. The Rope Locks SC can be checked by sitting on the accessory with your full bodyweight for a couple of seconds. Replace when necessary. If any squeaking occurs, the Rope Locks HC can be moistened with water or vegetable oil such as olive oil.
- Check swing seats and bars for integrity and check swing ropes for fraying or extreme creation of fibre. To examine the rope, open the strands of the Rope where any fraying has occurred and securely check whether the filaments are broken. Check safety belt of baby swing. Replace when necessary.
- Check the attachment of the slide onto the platform for any openings in which for instance clothing or strings from hooded jackets can get stuck which results in entangling.
- All accessories can be cleaned with warm water and a mild detergent. Heavily dirty slides can be cleaned with a high pressure cleaner. (Be careful not to damage the slide surface and timber.)

Safe play area

- Check if the shock-absorbing surface isn't compressed too much, loosen if necessary. Fill up any holes, for example under swing seats.
- Check the play set stability.
- Check the environment for direct danger like overhanging branches, laundry lines, loose materials.

Environmental protection

Wood parts of play sets should never be disposed of by burning. Dispose of all metal parts so as not to create a hazard. You should never burn pressure treated, stained or painted timber yourself, because of environmental pollution. Take it to your local disposal site.

SAFE PLAY

Attention:

- On site adult supervision must be provided for children of all ages and at all times.
- Teach the children to play safe.
- Dress children appropriately. Avoid accessories, clothing with drawstrings, loose fitting clothes and stringed items placed around the neck, which could become entangled or snagged on equipment. Also bike helmets should be taken off before playing on playground equipment.
- Last but not least: use common sense to avoid any possible unsafe situations.
- Jungle Gym® products are designed for use by children age 3 to 10 years old, unless indicated differently.

Safe play (fig. 1)

1. Equipment should not be played upon in wet weather conditions because of potentially slippery surfaces. In periods of frost, even the softest ground can change into a very hard surface. Accessories should be removed and taken indoors when temperatures drop below 0° C (32° F).
2. Using the playground or the accessories in any other manner than the way intended could lead to damage or, even injury. Do not twist or wrap swings, chains, ropes or any other accessories. Twisting will reduce the strength of the accessories and may cause entrapment.
3. Caution children not to:
 - jump off swings while they are in motion
 - swing empty seats or other empty accessories
 - swing at an angle
 - hang upside down from any part of the gym set
 - grasp or stop another child on any moving equipment
 - walk close to, in front of, between or behind moving accessories
4. Caution children to sit in the centre of the swings with their full weight on the seats. Only one child per each planned occupant seat should be allowed. A standard tower: maximum 3 children are allowed to play on the play set with a maximum weight of 110 pounds (50 kg) each. A standard tower in combination with a swing: maximum 5 children are allowed to play on the play set with a maximum weight of 110 pounds (50 kg) each.
5. Climbing on top of the roof or on top of the Module must not be permitted. Serious injuries can result from falls.
6. The play area must be free of all structures and obstacles.
7. Each open area on a platform increases the risk of possible accidents. The risk can be significantly reduced with the addition of safety features like handles, safety bars and fence boards. Do not allow children to go

down the slide in any other manner than sitting. Avoid southern sunlight exposure to the slide.

8. All components may become hot when exposed to direct sunlight. Make sure the play set is not hot before allowing children to play. If necessary the play set can be cooled down with water, dry the play set before using. Be careful water on the slide can cause children to slide faster.
9. Do not attach anything to the play set that is not approved by Jungle Gym. Some examples of items NOT approved are dogruns, clothes lines, electrical devices, loose ropes or chains etc.

Required tools (fig. 2)

1. Tape measure 2. Pencil 3. Hack/ wood saw 4. Wood- & metal file 5. Electric drill 6. Hammer 7. Spirit level

Standard bolt connections (fig. 03)

- Drill a hole of ϕ 10 mm in the parts to be fastened.
- Drive the barrel of the weld nut into the hole with a hammer.
- The barrel of the weld nut should be inside the wood.
- Place the lock washer over the shank of the bolt, followed by the flat washer and bottom part of the boltcap. Start preliminary tightening of bolt into the weld nut by hand before using the 13 mm socket in your electric drill to tighten each bolt until the spring action of the lock washer is fully compressed between the head of the bolt and the flat washer. Close the bolt protection cap with its top.
- If the bolt appears to be too short, we advise to counter drill the upper part of the hole in the thickest part of the wood with the ϕ 22 mm drill, to a depth of 15 mm or more, so the bolt will be sunk after assembly. Treat the hole with stain. Because the bolt head is recessed now, there is no need to use the bolt protection cap.
- If the bolt appears too long, it is necessary to remove the protruding end by cutting it off using a metal saw. If any sharp edges appear, use a file.

Pilot holes (fig. 4a+4b)

- In order to prevent the wood from splitting, drilling pilot holes are recommended for all screws. These pilot holes should be 10 mm shorter than the length of the screws.

Wood screws (fig. 4a)

- Drill ϕ 3 mm pilot holes for wood screws.
- It is very important to make certain that the tops of all screws are flush with the surface of the wood and there are no protruding sharp edges.

XL Stealth™ fasteners (fig. 4b)

- For a XL Stealth™ first drill a hole ϕ 5 mm through both parts to be fastened.
- Place the flat washer and bottom part of the bolt cap over the shank of the screw. Place screw in hole and use the T40 bit in your electric drill to tighten. Close the bolt protection cap with its top.

Caution: do not over tighten bolts and screws!

When hardwood is being used it may be necessary to drill pilot holes with a larger diameter, depending on the density of the wood.

040_805_GSI_en_0300_20120911_r1A

ALLGEMEINE SICHERHEITSHINWEISE

Wir gratulieren Ihnen zum Kauf Ihres Jungle Gym® Selbst-bausatzes. Mit dem Erwerb dieses Jungle Gym® Selbstbausatzes können Sie innerhalb kurzer Zeit ein sicheres Spielgerät bauen, das jahrelange Spielfreude garantiert.

Jungle Gym® Sätze beinhalten speziell entwickelte Befestigungssysteme. Diese wurden mit größter Sorgfalt entwickelt, wobei die Sicherheit Ihrer Kinder stets im Vordergrund stand. Die Befestigungssysteme haben weder scharfe Kanten noch herausstehende Teile und sind gegen jede Form von Witterungseinflüssen geschützt. Die verwendeten Materialien entsprechen den Anforderungen der Europäischen Normen EN 71-1,-2,-3,-8 & -9 für den privaten Gebrauch. Eine sachgerechte Montage und Anwendung wird vorausgesetzt. Weichen Sie nicht von der Montageanleitung ab, und verändern Sie nichts am Design des Spielgerätes.

Achtung. Nur für den Hausgebrauch. Nur für Benutzung im Freien. Maximales Gewicht des Benutzers: 50 kg. Nicht für Kinder unter drei Jahren geeignet. Geeignet für Kinder von drei bis zehn Jahren.

Dieses Produkt ist ausschließlich für den Privatgebrauch – und nicht für den öffentlichen Gebrauch – hergestellt worden.

Lesen Sie diese Montageanleitung sorgfältig durch, bevor Sie mit dem Aufbau beginnen. Heben Sie diese Montageanleitung für eventuelle Anpassungen zu einem späteren Zeitpunkt auf.

SICHERHEITSHINWEISE

Holz

- Behandeln Sie alle Schnittflächen und Kopfstücke des Holzes mit Lasur, auch bei bereits imprägniertem Holz.
- Besondere sorgfältig sollten die Teile behandelt werden, die mit dem Boden in Kontakt kommen.
- Ebenso sollten Sie eingelassene Löcher für Schrauben, Strickleitern und Kletterseile mit Lasur behandeln.

Sicherheitsbereich

- Legen Sie das Spielgerät auf einer ungepflastert stabilen Oberfläche, wie Gras oder einer festen Schicht aus Sand. Stellen Sie den Spielurm nicht auf Beton, Zierkies, Asphalt oder andere harte Flächen auf.
- Der Untergrund muß eben sein, ansonsten würden Verbindungen zu sehr belastet werden, und sie könnten sich auf Dauer lösen oder brechen.
- Der sogenannte Sicherheitsbereich sieht einen Abstand von 200 cm vom Spielgerät nach allen Seiten hin vor. Ein Sturz auf harten Boden kann schwere Verletzungen zur Folge haben. Sorgen Sie für einen weichen Boden innerhalb der Sicherheitszone. Die folgenden Untergründe empfehlen wir Ihnen:

Vorgeschlagenes Material	Tiefe (unverdichtet)
Borke	50 cm
Holzschnitzel	50 cm
feiner Kies	50 cm
feiner Sand	50 cm
Gras	

- Der Sicherheitsbereich muss frei von jeglichen Behinderungen wie Zäunen, Garagen, Häusern, Wäscheleinen und Elektrokabeln sein.
- Stellen Sie das Gerät nicht an Wegen oder Durchgängen auf.
- Wenn Sie z. B. Bahnschwellen oder Balken benutzen, um einem Verschieben des stoßdämpfenden Materials vorzubeugen, so müssen diese außerhalb des Sicherheitsbereichs liegen.

Sicherheitsmaßnahmen beim Aufbau

- Sorgen Sie dafür, dass sich während des Aufbaus keine Kinder in der Nähe des Arbeitsplatzes aufhalten, bis das Gerät fertig montiert ist. Sie es auf Stabilität und Sicherheit geprüft haben und der Arbeitsplatz vollständig aufgeräumt ist.
- Das Spielgerät sollte von zwei Erwachsenen aufgebaut werden, da schwere Teile aufgerichtet und zum Verschrauben in Position gehalten werden müssen.
- Überprüfen Sie alle Teile, sortieren Sie sie und vergewissern Sie sich, dass kein Teil fehlt.
- Tragen Sie angemessene Schutzkleidung (z. B. Sicherheits-brille, Staubmaske und Handschuhe).
- Folgen Sie bei der Verwendung von Werkzeugen den Sicherheitsempfehlungen des Herstellers.
- Treten Sie nicht auf die Plattform bevor das Spielgerät komplett aufgebaut ist. Benützen bei Bedarf eine Trittleiter.
- Um ein Kippen oder Verschieben des Spielurms zu verhindern, muß dieser mit Grundankern im Boden befestigt werden. Sollte der Boden nicht fest genug sein, gießen Sie die Grundanker in Beton ein. Achten Sie darauf, daß die Anker vollständig im Boden verschwinden. Kinder könnten sich ansonsten daran verletzen.
- Entfernen Sie am Ende des Aufbaus mit einer Metallsäge alle hervorstehenden Gewindeenden von Schrauben und anderen Befestigungselementen. Bearbeiten Sie alle scharfen Kanten mit einer Metallfeile.
- Zur Vermeidung möglicher Holzsplitter schmirgeln Sie alle Ecken und Kanten mit einem Stück 80 Grind starkem Schmirgelpapier zu ein Radius von 3 mm.
- Bringen Sie keine zusätzlichen Elemente, wie z.B. Seile, Ketten, schwere Teile oder Ähnliches an.
- Kombinieren Sie Ihr Jungle Gym® Spielgerät nicht mit Produkten anderer Firmen.
- Verwenden Sie in Kombination mit den original Jungle Gym® Schaukelhaken ausschließlich Rope Locks™. Verwenden Sie die Rope Locks™ nicht für andere Zwecke wie z.B. zum Klettersport oder zum Ziehen von Lasten.
- Das Gewinde des Swing Hook LS muss völlig in das Holz hineingeschraubt werden und eng am Querbalken anliegen. Es ist wichtig, dass der Swing Hook korrekt angebracht wird, da er sonst brechen oder sich lösen kann und eine Verletzungsgefahr darstellt.
- Der Abstand zwischen einem Schaukelement (z.B. einem Schaukelsitz) und dem Boden muß mindestens 35 cm betragen.
- Der Abstand zwischen einem Schaukelement und dem Rahmen sollte mindestens 30 cm betragen.
- Der Abstand zwischen mehreren Schaukelementen sollte 45 cm betragen.

- Kletterseile und Strickleitern müssen immer oben und unten befestigt sein, ansonsten könnte das freie Ende des Seils zu einer Schlinge geknotet werden, in der sich Kinder leicht verfangen oder erwürgen könnten.

INSPEKTION UND PFLEGE

Um die Sicherheit der Benutzer zu garantieren, muß das Gerät vor jeder Spielsaison einmal und während der Spielsaison mindestens zweimal im Monat nach den unten angeführten Punkten geprüft werden. Die Wartungsüberprüfungen müssen regelmäßig durchgeführt werden. Anderenfalls kann das Aktiv-Spielzeug umfallen oder auf andere Weise zur Gefährdung werden.

Holzleite

- Kontrollieren Sie das Holz auf Splitter und andere strukturelle Defekte.
- Regelmäßiges Streichen des Gerätes mit einer Außenbeize auf Ölbasis schützt vor Verwitterung. Verwenden Sie keine Farbe, die eine rutschige Oberfläche entstehen lassen könnte. Auf keinen Fall darf das Gerät lackiert werden.

Befestigungsmaterialien

- Als Sicherheitsmaßnahme sollten alle Muttern und Schrauben auf ihre Festigkeit hin überprüft werden. Zu fest angezogene Befestigungsmaterialien lassen das Holz zersplittern und brechen.
- Kontrollieren Sie die Befestigungsmaterialien, Beschläge und Schaukelhaken auch auf Roststellen, die die Stabilität des Gerätes beeinträchtigen könnten. Im Zweifelsfall ersetzen Sie die Teile.
- Überprüfen Sie, dass die Bodenverankerungen sicher sind. Ersetzen Sie diese gegebenenfalls.

Zubehör

- Prüfen Sie, dass die Rope Locks™ korrekt an den Jungle Gym® Schaukelhaken befestigt sind. Die Rope Locks HC™ können Sie kontrollieren, indem Sie sich einige Sekunden lang mit Ihrem vollen Gewicht an jedes Schaukelsitz hängen. Ersetzen Sie die Teile falls notwendig.
- Die Rope Locks SC™ können Sie kontrollieren indem Sie sich einige Sekunden lang auf das Gerät setzen. Falls ein Quietschen auftreten sollte, können Sie die Rope Locks HC™ mit Wasser oder einem pflanzlichen Öl, z.B. Olivenöl einschmieren.
- Kontrollieren Sie die Schaukelsitze und Trapeze auf Rißbildung und Brüche. Kontrollieren Sie die Seile auf Ausfransung und Zerfaserung. Um ein Seil genau zu begutachten, sollten Sie die Stränge dort, wo sie ausgefrans sind, öffnen und die einzelnen Stränge des Seils auf ihre Festigkeit hin untersuchen. Prüfen Sie den Sicherheitsgurt der Babyschaukel. Wenn nötig oder im Zweifel auswechseln.
- Kontrollieren Sie die Verbindung der Rutsche mit dem Untergrund und stellen Sie sicher, dass keine Spalten vorhanden sind. Seile könnten in ihnen stecken bleiben, was zu Verletzungen führen kann.
- Reinigung: Alle Elemente können mit Wasser und einem milden Haushaltsreiniger von Schmutz befreit werden. Starker Schmutz auf der Rutsche kann mit einem Hochdruckreiniger entfernt werden. Die Oberfläche der Rutsche und das Holz dürfen dabei nicht beschädigt werden.

Sicherheitsbereich

- Kontrollieren Sie den Untergrund regelmäßig unter dem Gesichtspunkt der Falldämpfung. Prüfen Sie, dass das Material, das den Boden bildet, weich ist. Lockern Sie es gegebenenfalls auf und füllen Sie Löcher unter Schaukeln mit Erde.
- Kontrollieren Sie die Stabilität des Gerätes.
- Prüfen Sie die direkte Umgebung des Gerätes nach Gefahren wie Äste, Wäscheleinen und herumliegende Gegenstände.

Umweltschutz

- Bei Entsorgung des Gerätes sind alle Metallteile zu entfernen und das Holz zur örtlichen Abfalldeponie zu bringen. Imprägniertes wie behandeltes Holz darf aus Gründen der Umweltverschmutzung nicht selbst verbrannt werden.

SICHERHEIT BEIM SPIEL

Achtung:

- Aufsicht durch einen Erwachsenen vor Ort ist für Kinder aller Altersgruppen jederzeit erforderlich.
- Unterrichten Sie die Kinder in der sicheren Anwendung der Geräte.
- Ziehen Sie Ihren Kindern geeignete Kleidung zum Spielen an.
- Vermeiden Sie jegliche Form von modischem Zubehör (z.B. Schals, Uhren, Schnüre usw.) und sehr weit sitzende Kleidung, die sich am Spielgerät verfangen könnte. Fahrradhelme sollten vor dem Spielen ebenfalls abgesetzt werden.
- Versuchen Sie nicht zuletzt, jeder denkbaren Gefahr vorzubeugen.
- Jungle Gym® Produkte sind für Kinder von 3 bis 10 Jahren entwickelt, es sei denn, etwas anderes ist angegeben.

Sicherheit beim Spiel (bild 1)

1. Bei nassem Wetter sind die Geräte feucht und rutschig und somit nicht zum Spielen geeignet. Auch bei Frost kann sich ein weicher Boden in einen harten Untergrund verwandeln. Bei Temperaturen unter 0° C sollten Sie das Zubehör abnehmen und im Haus aufbewahren.
2. Die Spielgeräte und das Zubehör dürfen nur zweckentsprechend benutzt werden. Bei Mißachtung kann es zu Beschädigungen und Verletzungen kommen. Achten Sie darauf, dass Schaukeln, Ketten, Tauen oder anderes Zubehör nicht verdreht werden. Dadurch würden die Materialien strapaziert werden, und es kann außerdem zu Einklemmungen von Körperteilen kommen.
3. Kinder sollten niemals:
 - beim Schaukeln abspringen
 - leere Schaukeln oder anderes Zubehör schwingen lassen
 - schräg schaukeln
 - über Kopf vom Klettergerüst herab hängen
 - andere schaukelnde Kinder festhalten oder stoppen
 - vor, hinter oder zwischen beweglichen Spielelementen laufen
 - oder spielen
4. Kinder sollten immer mit ihrem vollen Gewicht in der Mitte der Schaukel sitzen. Es ist nur ein Kind pro vorhandenem Sitz erlaubt. Bei einem Standard-Kletterturm können maximal 3 Kinder – mit einem

Höchstgewicht von 50 Kg je Kind – zugleich auf dem Turm spielen. Bei einem Kletterturm, der mit einer Schaukel kombiniert ist, können maximal 5 Kinder – mit einem Höchstgewicht von 50 Kg je Kind – zugleich auf dem Turm spielen.

5. Lassen Sie Kinder niemals auf Dächern der Türme und die obere Leiter des Moduls klettern. Ein Sturz aus größerer Höhe kann Verletzungen verursachen.
6. Der Spielbereich muss frei von jeglichen Hindernissen sein.
7. Nicht gesicherte Bereiche an der Plattform stellen ein Unfallrisiko dar. Dieses Unfallrisiko wird durch das Anbringen von Handgriffen, Sicherheitsstützen oder Geländern verringert.
8. Kinder sollten nur im Sitzen rutschen. Vermeiden Sie direkte Sonneneinstrahlung auf die Rutsche. Alle Teile des Spielgerätes können bei direkter Sonneneinstrahlung sehr heiß werden. Stellen Sie sicher, daß das Spielgerät nicht heiß ist, bevor Sie Ihre Kinder darauf spielen lassen. Falls notwendig kann das Spielgerät mit kaltem Wasser abgekühlt und danach abgetrocknet werden. Vorsicht, Wasser auf der Rutsche kann dazu führen, dass Kinder schneller rutschen.

Erforderliches Werkzeug für den Aufbau (bild 2)

- 1 Maßband, 2 Eileistift, 3 Handsäge, 4 Winkelmaß, 5 Bohrmaschine, 6 Hammer 7 Wasserwaage

Anbringen von Schrauben und Muttern (bild 3)

- Bohren Sie ein Loch von 10 Millimetern Durchmesser in die Teile, die zusammengefügt werden sollen.
- Schlagen Sie den Zylinder der Mutter mit einem Hammer in das Loch. Der Zylinder der Mutter sollte ganz im Holz versinken. Platzieren Sie die Sicherheitsdichtung über den Schaft der Schraube, darüber die Abstandsscheibe und das Unterteil der Schutzkappe. Drehen Sie die Schraube zunächst mit der Hand in die Mutter. Ziehen Sie sie anschließend mit der 13-mm-Nuss mit Hilfe Ihrer elektrischen Bohrmaschine fest, bis die Sicherung der Sicherheitsdichtung vollkommen zwischen dem Kopf der Schraube und der Abstandsscheibe festgezogen ist. Schließen Sie die Schutzkappe mit der vorgesehenen Abdeckung.
- Sollte sich herausstellen, dass die Schraube zu kurz ist, raten wir, den oberen Teil des Lochs im dicksten Teil des Holzes mit einem 22-mm Bohrfutter auf eine Tiefe von circa 15 mm aufzubohren, so dass die Schraube nach dem Zusammenfügen ganz im Holz verschwindet. Behandeln Sie die Öffnung mit Holzfarbe. Da die Schraube nun versenkt ist, wird die Abdeckkappe nicht mehr benötigt.
- Ist die Schraube zu lang, schneiden Sie die Gewinde mit einer Metallsäge ab und glätten Sie alle scharfen Kanten mit einer Metallfeile.

Vorböhen der Löcher (bild 4a+4b)

Damit das Holz nicht zersplittert, raten wir Ihnen, alle Löcher für die Schrauben vorzubohren. Diese Löcher müssen 10 mm kürzer als die Schrauben selbst sein. Werden Sechskant-Holzschrauben verwandt, sollte man ein Loch mit einem Durchmesser von 10 mm vorbohren.

Holzschrauben (bild 4a)

- Bohren Sie für Holzschrauben Löcher mit einem Durchmesser von 3 Millimetern vor.
- Es ist von größter Wichtigkeit, dass die Köpfe aller Schrauben bündig mit der Oberfläche des Holzes abschließen, und dass keine scharfen Kanten entstehen.

XL Stealth™ holzschrauben (bild 4b)

- Für XL Stealth™ holzschrauben bohren Sie zunächst ein Loch mit einem Durchmesser von 5 Millimetern in beide Teile, die anein ander zu bringen sind.
- Platzieren Sie die Abstandsscheibe und das Unterteil der Schutzkappe auf den Schaft der Schraube. Stecken Sie die Schraube in das Loch und ziehen Sie sie mit einer T-40 bit und mit Hilfe Ihrer Bohrmaschine fest. Schließen Sie die Schutzkappe mit der Abdeckung.

Vorsicht: Überdrehen Sie die Schrauben und Muttern nicht!

Bei Gebrauch von Hartholz kann es notwendig sein mit einem größerem Durchmesser vor zu bohren, je nach Intensität des Holzes.

040_805_GSI_de_0300_20120911_n1A

INSTRUCTIONS DE SÉCURITÉ

Félicitations! Vous venez d'acheter un kit comprenant les pièces et accessoires nécessaires pour construire un portique de jeux Jungle Gym®. L'achat de ce kit Jungle Gym® vous permet de monter en peu de temps dans votre jardin un portique de jeux pour le plus grand plaisir de vos enfants qui en profiteront de longues années en toute sécurité.

Les kits Jungle Gym® sont composés d'un matériel réalisé avec le plus grand soin tout en apportant une attention particulière à la sécurité de vos enfants. La matière, conçue pour résister aux influences climatiques, ne présente aucune forme, tel que, angles ou parties saillantes, susceptibles de les blesser. Les éléments utilisés dans les kits Jungle Gym® répondent aux Normes de Sécurité européennes pour usage privé EN 71-1, -2, -3, -8 & -9, dans les conditions d'application et de montage appropriées. Suivez les indications du manuel et n'apportez aucune modification au modèle.

Attention. Réservé à un usage privé. Uniquement pour un usage à l'extérieur. Le poids maximal de l'utilisateur est de 50 kg. Ne convient pas aux enfants de moins de trois ans. Convient aux enfants de trois à dix ans.

Ce produit est exclusivement conçu pour un usage familial individuel et privé. Il ne convient pas aux installations de jeux publics.

Lisez attentivement et intégralement ces instructions avant de commencer à construire et conservez ce manuel afin de pouvoir le consulter ultérieurement.

CONSEILS DE SÉCURITÉ

Bois

- Traitez toutes les surfaces de sciage et côtés de tête du bois avec une teinture à bois pour extérieur de bonne qualité afin d'éviter la putréfaction, il en est de même pour le bois imprégné. Accordez une attention toute particulière aux parties en contact avec le sol.
- Traitez également les trous de forage approfondis, ceux de l'échelle en corde et ceux de la corde à grimper.

La périphérie de jeux

- Placez le portique sur une surface stable non pavée, comme l'herbe ou une couche solide de sable.
- Le sol doit être soigneusement nivelé. Évitez d'installer le portique sur un terrain en pente où l'ensemble serait incliné ou
- susceptible de "boîtier". La surcharge exercée par cette inclinaison sur les points d'assemblage risque à la longue de les détériorer.
- Afin de créer une zone de sécurité, laissez 200 cm de dégagement à la périphérie de jeux. N'installez pas le portique sur un sol en goudron, gravier et autres sols durs présentant le risque de graves blessures en cas de chute. Utilisez de préférence les revêtements suivants:

Matériau recommandé	Profondeur non compressée
Double paillis d'écorce	50 cm
Copeaux de bois	50 cm
Fin gravier	50 cm
Sable fi	50 cm
L'herbe	

- Placez le portique sur une surface plane et sans aucun obstacle tels qu'arbres, étendages, haies, bâtiments ou fils électriques
- Veillez à ne pas orienter le portique dans la direction de sentiers ou voies de passages.
- Installez le revêtement de sol sous le jeu. Toutes bordures (traverses ou autres) utilisées pour contenir le revêtement doit se trouver à l'extérieur de la zone de sécurité.

Monter en toute sécurité

- Tenez les enfants éloignés pendant le montage et veillez à ce qu'ils ne jouent pas avec le portique tant que son installation n'est pas entièrement terminée, les fixations et les points d'assemblage doivent être soigneusement vérifiés, et la zone de sécurité déblayée et rangée.
- La construction de ce portique nécessite l'intervention d'un minimum de 2 adultes, afin de soulever et de maintenir le bois et autres pièces dans la bonne position et d'assurer une fixation parfaite des éléments.
- Contrôlez le contenu de la boîte ainsi que les bois et disposez-les de manière méthodique. Vérifiez avec la liste ci-jointe.
- Portez des vêtements de travail et un équipement de protection efficace (lunettes de sécurité, masque anti-poussière et gants) lorsque vous sciez, percez, poncez, peignez et assemblez, en particulier lorsque vous utilisez du bois imprégné sous pression.
- Suivez les instructions des fabricants de l'outillage et autre matériel que vous utilisez.
- Ne grimpez pas sur la plate-forme avant la fin du montage, utilisez une échelle si vous n'arrivez pas à accéder à une certaine hauteur.
- Le portique doit être soigneusement ancré dans le sol pour éviter de glisser ou de se renverser. Si le sol est meuble, coulez du béton autour des fixations d'ancrage. Attention, ils ne doivent pas dépasser la hauteur du sol sinon les enfants risqueraient de trébucher dessus.
- Une fois la construction achevée, sciez les parties métalliques saillantes (extrémités de boulons et autres) avec une scie à métaux et arrondissez les côtés tranchants avec une lime.
- Pour éviter les échardes, poncez les pièces en bois avec du papier de verre. Réduisez également tous les angles avec du papier de verre ou une lime jusqu'à un arrondi de 3 mm.
- Ne fixez au portique aucun objet supplémentaire, comme des cordes ou des chaînes.
- N'utilisez pas d'accessoires d'une autre marque en combinaison avec les produits Jungle Gym®, sous peine de nuire au niveau de sécurité.
- Utilisez uniquement les RopeLocks™ en combinaison avec les balançoires Jungle Gym®. N'utilisez pas les RopeLocks™ dans d'autres buts, escalades, varappe, ou pour se hisser ou encore traîner des charges.
- La pièce métallique du Swing Hook LS doit être fixée entièrement dans le poteau horizontal. Il est très important de soigner la fixation du Swing Hook. Dans le cas où il serait mal posé ou inversé, celui-ci pouvait se casser ou se détacher brusquement et causer des blessures.
- La distance entre les accessoires de balançoire (par exemple escarpolette) et le sol doit être de 35 cm minimum.
- La distance minimale entre l'accessoire extérieur et l'armature doit être de 30 cm.
- La distance entre les Swing Hooks de la balançoire doit être 45 cm.
- La distance entre les accessoires de balançoires doit être 45 cm.
- Les cordes à grimper et les échelles en corde doivent systématiquement être fixés en haut et en bas, dans le cas inverse l'extrémité libre de la corde risque de former un nœud coulant.

INSPECTION ET ENTRETIEN

Afin de pouvoir garantir la sécurité des utilisateurs, le portique doit être soumis à un contrôle attentif de sécurité au début de chaque saison d'utilisation, puis deux fois par mois pendant cette saison, sur les points suivants. Si les contrôles de maintenance ne sont pas réalisés régulièrement, le jouet d'activité pourrait se renverser ou devenir autrement dangereux.

Parties en bois

- Contrôlez la présence d'échardes ou de défauts éventuels de la structure.
- Traitez régulièrement avec une teinture pour bois extérieur afin de prévenir la putréfaction du bois. N'utilisez pas de peinture risquant de produire une surface glissante.

Matériel de fixation

- Assurez-vous que toutes les vis et tous les écrous soient encore assez solidement fixés. Attention : un serrage trop fort occasionne la formation d'échardes et de fentes dans le bois.
- Contrôlez le reste du matériel de fixation, archets et crochets de balançoires, ainsi que la présence de rouille qui risque d'affecter leur solidité. En cas de doute, remplacez-les.
- Contrôlez l'ancrage au sol et veillez à ce que la fixation soit toujours résistante.

Accessoires (le cas échéant)

- Contrôlez également si les Rope Locks™ sont bien montés et suspendus aux crochets de balançoire Jungle Gym®. Pour un bon contrôle des RopeLocks HC, accrochez-vous, pendant quelques secondes de tout votre poids à chacune des cordes de balançoire séparément. Procédez de la même façon pour les RopeLocks SC en pesant pendant quelques secondes de tout votre poids sur les accessoires concernés. En cas de doute, remplacez-les. Vous pouvez éviter le grincement des RopeLocks™ en les humidifiant avec de l'eau ou de l'huile végétale.
- Contrôlez les sièges de balançoire et les trapèzes sur la présence de fissures et vérifiez que les cordes de balançoire ne s'effilochent pas suite à un frottement. Dans ce cas par mesure de sécurité, desserrez la tresse des cordes à l'endroit de l'usure constatée, afin de pouvoir contrôler avec précision la solidité des fibres. En cas de doute, remplacez-les. Contrôlez la ceinture du Baby Swing. En cas de doute, remplacez-la.
- Contrôlez la fixation du toboggan sur la plate-forme, sur la présence éventuelle de fentes dans lesquelles les cordelettes de capuchons seraient susceptibles de se coincer, occasionnant un risque d'étranglement.
- Les accessoires peuvent être nettoyés avec un détergent doux. Il est éventuellement possible de nettoyer un toboggan très sale à l'aide d'un jet à haute pression, à condition de veiller à ne pas abîmer sa surface.

La périphérie de jeux

- Vérifiez régulièrement que le sol ne soit pas trop tassé pour bien amortir les chocs. Ratissez si nécessaire. Comblez les trous, notamment sous des sièges de balançoire.
- Contrôlez la stabilité du portique.
- Assurez-vous que l'environnement direct du portique soit libre de tout obstacle, branches d'arbre, lignes d'étendage, objets instables etc.

Protection de l'environnement

- Si vous décidez de supprimer le portique, enlevez toutes les parties métalliques et synthétique pour éviter tout risque de blessure et mettez le bois à la décharge. Il est interdit de brûler soi-même le bois imprégné, enduit ou peint, en raison des risques de pollution.

JOUER EN SECURITE

Attention:

- Veillez à ce que les enfants quel que soit l'âge jouent toujours sous la surveillance d'un adulte.
- Apprenez aux enfants à jouer en toute sécurité.
- Sauf indication contraire, les produits Jungle Gym® sont conçus pour des enfants de 3 à 10 ans.
- Veillez à ce que les enfants portent des vêtements adéquats pour jouer, bien attachés et sans cordelettes ou accessoires pouvant restés accrochés.
- Faites appel à votre bon sens pour éviter des accidents.

Jouer en sécurité (fig. 1)

1. Par temps pluvieux, ne pas se servir des jeux, car ils peuvent devenir glissants. En cas de gel, ne pas oublier que même un sol meuble peut devenir très dur. Rentez les accessoires en cas de températures négatives.
2. N'utilisez pas le portique ou les accessoires dans un but autre que celui auquel ils sont destinés car ceci pourrait entraîner des dommages ou des blessures. Ne laissez pas les enfants tourbillonner sur les accessoires. Ceci occasionne, en effet, une surcharge des cordes et entame leur résistance. De plus, les enfants risquent ainsi de se retrouver coincés dans les cordes.
3. Évitez impérieusement que les enfants :
 - sautent des balançoires en mouvement,
 - poussent les accessoires à vide,
 - se balancent en oblique ou latéralement,
 - se suspendent la tête en bas au portique,
 - s'agrippent mutuellement quand ils se balancent,
 - passent devant, entre ou derrière les accessoires en mouvement.
4. Faites asseoir les enfants de tout leur poids bien au centre de la balançoire et ne surchargez pas les accessoires par un nombre d'utilisateurs plus grand que prévu. Ne laissez pas plus de 3 enfants (3 x 50 kg max.) jouer ensemble sur une tour normale, et pas plus de 5 enfants (5 x 50 kg max.) sur une tour avec balançoire combinée.
5. Interdisez aux enfants de monter sur la toiture ou sur la structure du portique. Une chute peut provoquer des blessures graves.
6. Le zone de jeu doit être libre de chaque obstacle.
7. Veillez à bien délimiter l'aire de jeu sur chaque côté, en plaçant des barres de sécurité ou autre balustrade, pour éviter tout risque d'accident.
8. Ne laissez pas les enfants glisser sur le toboggan autrement qu'assis,

visage tourné vers l'avant. Évitez que le toboggan ne soit orienté vers le sud en raison de la chaleur du soleil. Avant que les enfants ne jouent, contrôlez que la surface ne soit pas trop chaude. Refroidissez-la éventuellement avec de l'eau puis séchez-la. Veuillez noter que l'eau sur le toboggan les enfants peut faire glisser plus rapidement.

Outils nécessaires (fig. 2)

1. Mètre à ruban, 2. Crayon, 3. Scie à main, 4. Lime à bois et métal, 5. Perceuse électrique, 6. Marteau, 7. Niveau à bulle

Assemblage standard des boulons (fig. 3)

- Percez un avant-trou de 10mm à l'endroit indiqué sur le plan.
- Insérez totalement la cheville dans l'avant-trou à l'aide d'un marteau. Prenez le boulon, glissez d'abord la rondelle élastique, puis la rondelle plate.
- Faites passer le boulon et ses 2 chevilles dans les Bolt Caps. Puis vissez le tout à l'aide d'une perceuse et de l'embout de 13mm fourni dans l'avant-trou à l'opposé de la cheville. Visser jusqu'à ce que la rondelle élastique soit écrasée entre le boulon et la rondelle plate.
- Dans le cas où le boulon sera trop court élargi l'avant-trou à l'aide de la mèche de 22 mm dans le bois le plus épais. Vous devez également procéder au traitement de ce trou par une lasure ou un vernis. Dans le cas présent, n'utilisez le Bolt Cap.
- Dans le cas où le boulon est trop long, coupez l'extrémité, une fois vissée. Limez, si nécessaire, les côtés pointus.

Perçage d'un avant-trou (fig. 4a+4b)

- Pour éviter que le bois ne se fende, il est conseillé de percer un avant-trou de 3mm d'épaisseur et de 10mm plus court que la vis.

Vis à bois (fig. 4a)

- Vissez les vis à bois. Faites attention : il est important que les vis soient enfoncées dans le bois et qu'ils n'aient pas de parties qui dépassent.

XL Stealth™ vis à bois (fig. 4b)

- Percez d'abord un trou de 5mm au travers des deux bois.
- Avant d'insérer la vis, glissez la rondelle ainsi que le Bolt Cap, puis visser avec un bit T40. Enfin appliquez le bouchon du Bolt Cap sur la vis.

Attention: Ne pas serrer trop fort les boulons!

En cas d'utilisation de bois dur il sera peut être nécessaire de forer avec un plus grand diamètre, suivant la densité du bois.

040_805_GSI_0300_20120911_n1A

ALGEMENE VEILIGHEIDSINSTRUCTIES

Gefeliciteerd met de aanschaf van deze montage kit! Deze kit bevat het montage materiaal en de accessoires voor de bouw van een speeltoestel. Met de aanschaf van deze Jungle Gym® kit staat in korte tijd een veilig kinderspeeltoestel in uw tuin, dat jarenlang speelplezier garandeert voor uw kinderen.

Jungle Gym® kits zijn samengesteld uit onder andere speciaal ontwikkeld bevestigingsmateriaal. Bij de ontwikkeling is aan het veiligheidsaspect veel aandacht besteed. Het metalen bevestigingsmateriaal heeft geen scherpe hoeken of uitstekende delen en is beschermd tegen weersinvloeden. De gebruikte materialen in de kits van Jungle Gym® voldoen, bij een juiste toepassing en montage, aan de eisen en voorschriften inzake veiligheid en kwaliteit omschreven in de Europese richtlijn voor Speelgoed (EN 71-1, -2, -3, -8 & -9) voor privé-gebruik. Wijk daarom niet af van de handleiding en breng geen veranderingen aan in het ontwerp.

Waarschuwingen. Uitsluitend voor huishoudelijk gebruik. Alleen geschikt voor buitengebruik. Het maximale gewicht per gebruiker is 50 Kg. Niet geschikt voor kinderen jonger dan 3 jaar. Geschikt voor kinderen van drie tot tien jaar oud.

Dit product is alleen bedoeld voor particulier gebruik. Plaatsing van dit toestel in openbare gelegenheden en gebruik voor commerciële doeleinden is niet toegestaan.

Neem deze instructie aandachtig en volledig door voordat u begint met bouwen. Bewaar deze handleiding zodat u deze naderhand nog kunt raadplegen.

VEILIGHEIDSADVIEZEN

Houtkeuze

- Behandel alle zaagvlakken en kopsen kanten van het hout met een buitenbeits om het houtrot te voorkomen, ook bij geïmpregneerd hout.
- Besteed bijzondere aandacht aan delen die met de bodem in contact komen.
- Behandel ook eventuele verdiepte boutgaten en gaten voor de touwlander of het klimtouw.

Veilige speelruimte

- Plaats het speeltoestel op een stabiele onverharde ondergrond, zoals gras of een stevige zandlaag. Plaats het toestel niet op asfalt, grind, beton of een andere harde ondergrond.
- Het toestel moet op een vlakke ondergrond geplaatst worden.
- Indien het toestel op een hellende ondergrond geplaatst wordt kan het scheef gaan staan. Dit geeft een onevenredige drukverdeling op de connectiepunten waardoor boutverbindingen in de loop van de tijd los kunnen gaan zitten.
- Om een veilige speelruimte te creëren dient aan alle zijden van het speeltoestel een vrije ruimte van 200 cm te zijn. Een val op harde ondergrond kan letsel veroorzaken. Hieronder staat een lijst met aanbevolen schok absorberende materialen:

Aanbevolen materiaal	niet samengeperste diepte
Boomschors	50 cm
Houtsnippers	50 cm
Fijn grind	50 cm
Grof zand	50 cm
Gras	

- Verwijder eventueel struikelgevaar zoals stenen, boomstronken, wortels enz. uit de veilige speelruimte.
- De veilige speelruimte moet vrij zijn van hekken, garage, overhangende takken, waslijnen, elektrische draden en andere obstakels.
- Stel het toestel zo op dat het zich niet in de looprichting van paden of doorgangen bevindt.
- Indien u het schokabsorberende materiaal op zijn plaats wilt houden met bijvoorbeeld biezen dan moet dat buiten het veilige speelveld gebeuren.

Veilige montage

- Houd tijdens de montage kinderen uit de buurt totdat er geen obstakels meer in het speelveld zijn, het speeltoestel volledig gemonteerd is, alle schroeven, bouten en moeren vastgedraaid en gecontroleerd zijn en al het gereedschap en andere onderdelen die niet bij het speeltoestel horen opgeruimd zijn.
- Voor het bouwen van dit toestel zijn tenminste 2 volwassenen nodig, één om het hout in positie te houden en de ander om onderdelen vast te schroeven.
- Controleer de inhoud van de doos en alle houten onderdelen leg ze overzichtelijk neer.
- Draag werkkleding en doelmatige veiligheidsmiddelen (veiligheidsbril, stofmasker en handschoenen) als u zaagt, boort, beitst of bouwt. Zeker als u geïmpregneerd hout gebruikt. Volg de aanwijzingen van de fabrikanten van het gereedschap op dat u gebruikt.
- Ga niet op het platform staan voordat het toestel volledig gemonteerd is, gebruik een ladder als u ergeren niet bij kunt.
- Veranker het toestel aan de bodem met grondankers om kantelen of schuiven te voorkomen. Als de bodem niet stevig genoeg is, stort de grondankers dan in beton. Let op dat de grondankers niet uitsteken. Kinderen kunnen hierover struikelen.
- Zaag na het bouwen alle uitstekende metalen delen af met een ijzerzaag en verwijder scherpe kanten met een vijl.
- Ter voorkoming van splinters, schuur het hout van het toestel met een stuk schuurpapier. Rond ook alle hoeken af met schuurpapier of een vijl tot een straal van 3 mm.
- Bevestig geen extra voorwerpen aan het toestel zoals touwen kettingen.
- Combineer geen producten van andere producenten met de producten van Jungle Gym®, omdat dan de veiligheid in gevaar kan komen.
- Gebruik RopeLocks™ alleen in combinatie met schommelhaken van Jungle Gym®. Gebruik de RopeLocks™ niet voor andere doeleinden, zoals bergbeklimmen of het takken / slepen van lasten.
- De schroefdraad van de Swing Hook LS moet volledig in het hout van de bovenbalk worden gedraaid. Het is belangrijk dat de haak in de juiste positie wordt gedraaid. (zie instructies Swing Hooks). Een verkeerd gemonteerde of onjuist geplaatste Swing Hook kan breken of losschieten en letsel veroorzaken!

- De afstand tussen een schommelaccessoire (bijvoorbeeld een schommelzijte) en de grond moet minimaal 35 cm zijn.
- De afstand tussen een accessoire en het frame moet minimaal 30 cm zijn.
- De afstand tussen de Swing Hooks moet 45 cm zijn.
- De afstand tussen de schommel accessoires moet 45 cm zijn.
- Een klimtouw of een touwladder moet altijd onder en boven vastgemaakt worden, omdat anders het vrije uiteinde van het touw tot een strop geknoopt kan worden.

INSPECTIE EN ONDERHOUD

Om voor de veiligheid van de gebruikers in te kunnen staan moet het toestel eenmaal bij aanvang en vervolgens 2 maal per maand tijdens het gebruikseizoen zorgvuldig aan de onderstaande veiligheidsinspectie worden onderworpen. Indien de onderhoudscontroles niet regelmatig uitgevoerd worden, zou het speeltoestel kunnen omvallen of anderszins gevaar opleveren.

Houten onderdelen

- Controleer op splinters en mogelijke andere structurele schade.
- Een regelmatige behandeling met een buitenbeits voorkomt houtrot. Gebruik geen verf die een glad oppervlak kan veroorzaken.

Bevestigingsmaterialen

- Controleer alle schroeven en bouten of ze nog voldoende vast zitten. Let op: als schroeven of bouten te strak worden aangedraaid ontstaan er splinters en/of het hout splijt.
- Controleer het overige bevestigingsmateriaal, beugels en schommelhaken ook op roest die de sterkte aan zou kunnen tasten. Bij twijfel vervangen.
- Controleer de grondankers of deze nog vast zitten. Bij twijfel opnieuw vastzetten of vervangen.

Accessoires (indien van toepassing)

- Controleer of de RopeLocks™ goed gemonteerd en opgehangen zijn aan de Jungle Gym® schommelhaken. Om de RopeLocks HC te controleren dient u met uw volle gewicht gedurende enige seconden aan ieder afzonderlijk schommeltoestel te hangen. De RopeLocks SC kunt u controleren door de betreffende accessoire gedurende enige seconden met uw volle gewicht te belasten. Vervang bij twijfel het piepen van de RopeLocks™ kan worden tegen gegaan door deze met water of een plantaardige olie te bevochtigen.
- Controleer de schommelzittingen en trapezen op scheuren of breuk. Controleer schommeltoeven op rafelen of extreme vezelvorming die ontstaat als gevolg van het opdraaien van de schommel accessoires. Om dit goed te beoordelen dient u ter plaats van de geconstateerde slijtage de touwen open te draaien zodat de vezels van het schommeltoev nauwkeurig op breuk kunnen worden beoordeeld. Controleer de veiligheidsriem van de babyschommel. Bij twijfel vervangen.
- Controleer de bevestiging van de glijbaan aan het platform op spleten waarin bijvoorbeeld koordjes van capuchons kunnen blijven haken waardoor verstikkingsgevaar kan optreden.
- De accessoires kunnen worden gereinigd met een niet agressief schoonmaakmiddel. Een zwaar verontreinigde glijbaan kan eventueel schoongemaakt worden met een hogedrukreiniger, let op dat het glijbaanoppervlak niet beschadigd raakt.

Veilige speelruimte

- Controleer de ondergrond regelmatig op de mate van schokabsorptie. Indien de ondergrond teveel samengeperst is dient het los geharkt te worden. Kuilen die ontstaan zijn bijvoorbeeld door het schommelen dienen opgevuld te worden.
- Controleer de stabiliteit van het toestel.
- Beoordeel de directe omgeving van het speeltoestel op direct gevaar zoals overhangende boomtakken, waslijnen, losliggende materialen.

Milieu

Als u besluit het toestel weg te gooien, verwijder dan alle metalen en kunststof delen en breng het hout weg naar uw plaatselijke vuilverwerking. U mag geïmpregneerd, geverfd en gebeist hout niet zelf verbranden met het oog op het milieu.

VEILIG SPELEN

Attentie:

- Laat kinderen altijd onder toezicht van een volwassene spelen.
- Leer kinderen veilig spelen.
- Zorg dat kinderen passend gekleed zijn voor het spelen. Let op dat ze geen loszittende kleding dragen, of kleding met touwveters of accessoires die klem kunnen komen zitten.
- Gebruik uw gezond verstand om ongelukken te voorkomen.
- De producten van Jungle Gym® zijn ontworpen voor kinderen van 3-10 jaar, tenzij anders aangegeven.

Veilig spelen (fig.1)

- Tijdens nat weer zijn speeltoestellen niet geschikt om op te spelen omdat onderdelen dan glad kunnen worden. Tijdens vorst kan zelfs een zachte ondergrond veranderen in een kei harde laag. Bij vorst de accessoires binnenhalen.
- Gebruik het toestel of de accessoires niet anders dan waarvoor ze bestemd zijn. Dit kan leiden tot schade of letsel. Laat kinderen de accessoires niet opdraaien hierdoor wordt het touw extreem zwaar belast en heeft dus een kortere levensduur tot gevolg. Ook kunnen kinderen klem komen te zitten.
- Zorg ervoor dat kinderen niet van bewegende schommels springen.
 - Laat kinderen geen onbezette accessoires heen en weer schommelen.
 - Laat kinderen niet ondersteboven aan het toestel hangen. Zorg ervoor dat kinderen elkaar niet vastgrijpen tijdens het schommelen.
 - Zorg ervoor dat kinderen niet voor, tussen of naast andere in gebruik zijnde accessoires lopen.
- Laat kinderen met hun volle gewicht in het midden van de schommel zitten, en laat een accessoire gebruiken door het aantal kinderen waarvoor het ontworpen is. Bij een gewone klimtoren: laat maximaal 3 kinderen van maximaal 50 Kg per kind tegelijkertijd op het toestel spelen. Bij een klimtoren gecombineerd met een schommel: laat

maximaal 5 kinderen van maximaal 50 Kg per kind tegelijkertijd op het toestel spelen.

- Laat kinderen nooit op dakjes of bovenop Modules klimmen. Een val van grotere hoogte kan resulteren in letsel.
- Zorg dat er geen obstakels op en rond het speelterrein aanwezig zijn.
- Ieder op een gedeelte van een platform geeft een mogelijkheid tot ongelukken. Dit risico wordt aanmerkelijk lager als er handgrepen, veiligheidssteunen of balustrades toegepast worden.
- Laat kinderen op geen andere manier dan zittend met het gezicht naar voren van de glijbaan glijden. Voorkom dat de glijbaan op het zuiden gericht staat in verband met opwarming door de zon. Controleer voordat kinderen gaan spelen of oppervlakten niet te heet zijn. Eventueel afkoelen met water, daarna afdrogen. Let op, water op de glijbaan kan ervoor zorgen dat kinderen sneller glijden.

Benodigd gereedschap (fig. 2)

- Rolmaat, 2. Potlood, 3. Handzaag, 4. Hout- en metaalvijl, 5. Boormachine, 6. Hamer 7. Waterpas

Standaard boutverbinding (fig. 3)

- Boor een gat van 10mm in de vast te zetten delen.
- Breng de inslagmoer met de schacht aan in het geboorde gat en sla de tandjes in het hout.
- Plaats eerst de veerring en dan de sluitring over de schacht van de moerbout gevolgd door een Bolt Cap™.
- Schuif de moerbout door het gat en draai de bout eerst met de hand aan voordat u gebruik maakt van de bijgeleverde 13 mm dop in uw boormachine om de bouten verder aan te draaien totdat de veerring volledig is platgedrukt tussen de moer boutkop en de sluitring. Sluit de Bolt Cap.
- Indien de bout te kort is, kunt u met een speedboor van ø 22 mm het eerste deel van het boorgat in het dikste stuk hout verdiepen, zodat de boutkop verzonken is. Behandel het ontstane gat met beits. Aangezien de boutkop nu verzonken is, is het niet nodig een Bolt Cap™ te gebruiken.
- Indien de bout te lang is, dient u het uitstekende deel af te zagen.
- Vijl eventuele scherpe bramen weg.

Voorboren (fig.4a+4b)

Om te zorgen dat het hout niet splijt wordt aangeraden om voor alle schroeven voor te boren. Boor 10mm minder diep dan de schroef lang is.

Hout Schroeven (fig. 4a)

- Boor, bij gebruik van hout Schroeven, eerst een gat van ø 3 mm in het deel wat u wilt bevestigen.
- Het is belangrijk dat de schroeven volledig in het hout zitten en dat er geen scherpe uiteinden zijn.

XL Stealth™ houtdraadbouten (fig. 4b)

- Voor het aanbrengen van de XL Stealth™ houtdraadbout, boor eerst voor met 5mm in beide delen.
- Plaats de sluitring en bakje van de Bolt Cap over de bout.
- Plaats het geheel in het geboorde gat en fixeert de bout met behulp van de T40 bit. Bevestig daarna het dopje van de Bolt Cap.

Let op: Zorg dat u de bouten en schroeven niet te strak vastdraait!

Bij gebruik van hardhout kan het noodzakelijk zijn voor te boren met een grotere diameter, al naar gelang de densiteit van het hout.

040_805_GSI_ni_0300_20120911_NA

ОБЩИ ПРАВИЛА ЗА ТЕХНИКА НА БЕЗОПАСНОСТ

Честито за покупката на катерушката Jungle Gym®! Сглобете я сами. Комплектът Jungle Gym® е игрови комплекс, който се сглобява за кратко време и радва децата години наред.

В комплексите Jungle Gym® влизат специално разработени крепежни елементи. Тези принадлежности са конструирани особено грижливо с цел да бъдат абсолютно безопасни за децата. Крепежните елементи нямат остри ъгли или изпъкнали части и са защитени от всички видове атмосферни въздействия. Всички детайли на комплектите отговарят на EN 71-1, -2, -3, -8 и -9 (Европейски стандарт за безопасност) за лично ползване при условие, че даденото ръководство се спазва при монтаж и използване на оборудването за детска площадка. Строго следвайте рисунките и не променяйте конструкцията.

Внимание. За употреба само в домашни условия. Употреба само в домашни условия. Максималното тегло на потребителя е 50 Kg. Не подходящо за деца под тригодишна възраст. Подходящо за деца на възраст от три до десет години.

Изделието е предназначено само за еднофамилни къщи. Общественото използване на комплекса или монтаж на обществени места са строго забранени.

Преди да започнете сглобяването внимателно прочетете настоящите инструкции и ги пазете за понататъшни справки.

ИНСТРУКЦИИ ЗА БЕЗОПАСНОСТ

дървен материал

- Покрийте всички срязани повърхности и краища с консервант за предпазване на дървото от плесенясване и при натоварвания.
- Същото се отнася и при използването на пресована под налягане дървесина.
- Особено се погрижете за елементите, които имат допир с грунта.
- Също така байцвайте отвътре всички пробити отвори и отворенията за закрепване на въжената стълба или въжето за катерене.

предпазна зона

- Поставете Playset на неасфалтирани стабилна повърхност, като например трева или твърд слой пясък. Да не се изгражда детския игрови комплекс върху бетон, чакъл или друга твърда повърхност.
- Повърхността на земята трябва да бъде равна. Изграждането на игровия комплекс на склон може да доведе до наклоняване на конструкцията или създаване на допълнителни напрежения. Наклоняването създава допълнително вътрешно напрежение във всички свързващи елементи и съединения и предизвиква тяхното разхлабване и изпадане.
- Предпазната зона е ивица с ширина 200 см, разположена по периметъра на игралния комплекс. Падането върху твърда повърхност може да доведе до сериозни увреждания. Покрийте с grundова настилка и предпазната зона. По-надолу се посочват препоръчвани grundови настилки.

Препоръчан материал

	дълбочина на мекия слой
Двойно смлени трици от дървесна кора	50 см
Дървесни стърготини	50 см
Ситен чакъл	50 см
Дребнозърнест пясък	50 см
Трева	

- С цел осигуряване безопасността за игра съоръжения от рода на огради, гараж, сграда, надвиснали клони, въжета за пране, електрически линии и други препятствия не трябва да се намират в предпазната зона.
- През игровия комплекс да не минават пътеки или проходи.
- Всякакви бордюри за задържане на настилка трябва да се поставят извън предпазната зона (декоративни дървени огради и други заграждения).

безопасно сглобяване

- Децата да не се допускат на работната площадка, докато от предпазната зона не се премахнат препятствията, комплексът не е сглобен напълно, не са затегнати и проверени всички крепежни елементи и не се приберат всички инструменти и други приспособления, които не се отнасят към детската площадка.
- При изграждане на детския комплекс са необходими поне двама възрастни, които да вдигат и държат гредите, рамите и други тежки монтажни елементи, докато те не са закрепени с болтове и винтове.
- Проверете всички детайли и слобки една по една, без да бързате. Проверете ги по спецификацията.
- При рязане, пробиване на отверстията, шлайфане, боядисване и сглобяване на комплекса трябва да се използва защитно облекло и предпазна екипировка (например, защитни очила, маска за защита от прах и ръкавици), особено при работа с пресован дървен материал. Спазвайте указанията за техника на безопасност на производителя при използване на инструментите и екипировката.
- Не се качвайте на платформата преди комплектът да е сглобен изцяло. При необходимост използвайте подвижна стълба.
- Здравно закрепете съоръжението, за да не се изкриви или падне. Ако по-чвата е твърде рохкава и стойките лесно излизат, да се цементират
- Трябва да сте сигурни, че стойките са добре закрепени в грунта, тъй като децата ще скачат върху тях.
- След завършване на сглобяването, проверете дали всички стърчащи краища на болтовете и другите крепежни елементи са изрязани с трион. Изгладете всички остри ръбове със ситна пила.
- За премахване на дървени трески, шлайфайте дървото със шкурка. Освен това, със шкурка или пила закръглете с радиус 3 мм всички ъгли.
- Не закачайте допълнителни спортни уреди към катерушката, като например, въжета, вериги, дебели въжета и други.
- Не правете съчетание от изделията на други производители с продукцията на Jungle Gym® - това ще наруши безопасността на съоръжението.
- Използвайте куки за лолки марка Jungle Gym® само в съчетание

с крепежните елементи Rope Locks™. Не използвайте крепежните елементи Rope locks™ за други цели, такива като пързалки или обтегачи.

- Винтът на Swing Hook LS трябва да бъде затегнат в дървото докрай и плътно притегнат към напречната греда. Важно е куката Swing Hook да бъде центрирана в правилно положение. Ако е поставената неправилно или не е центрирана, тя може да се счупи или да се извади и да предизвика нараняване!
- Уредите за люлеене (например, седалката на люлката) трябва да бъдат на височина поне 35 см от земята.
- Разстоянието между уредите и рамата трябва да бъде най-малко 30 см.
- Разстоянието между куките Swing Hooks трябва да бъде 45 см.
- Разстоянието между куките Swing Hooks трябва да бъде 45 см.
- Въжето за катерене и въжената стълба трябва здраво да се закрепят отгоре и отдолу, тъй като свободно висещото въже може да се усуче и да изплаши детето.

ПРОВЕРКА И ПОДДРЪЖКА

За да се осигури безопасност на катерушката, съоръжението трябва да се проверява по реда, указан по-долу, в началото на всеки сезон и след това два пъти месечно, през времето, когато обикновено се използва. Ако проверките при поддръжка не се извършват редовно, съоръжението за игра може да прекарути или по друг начин да се превърне в опасност.

Дървените компоненти

Проверявайте за трески и други възможни нарушения на структурата на материала. За предпазване на дървото от плесенясване поддръжките съоръжението, като периодично го покривате със защитно покритие за външно боядисване на дърво. Не използвайте боя, която може да предизвика подпъване.

Крепежи

Проверявайте всички затегнати крепежни елементи. Внимание! Презатегнатите крепежни елементи разрушават дървесните влакна, предизвиквайки разслояването му. Проверявайте всички останали крепежни елементи - скоби и куки за лолки също така и за ръжда, която може да повлияе върху здравината им. При необходимост ги заменяйте. Проверявайте сигурността на закрепване на стойките в грунта, за да сте сигурни, че те са здрави. При необходимост ги преместете или ги заменете.

Принадлежности (ако има)

- Проверявайте крепежите Rope Locks™ за правилно закрепване в куките за люлките на Jungle Gym®. За проверката на Rope Locks HC трябва за няколко секунди да увеличите поотделно на всяко въже за люлките с цялото си тегло. Крепежите Rope Locks SC се проверяват, като за няколко секунди се отпуснете върху уред с цялата си тежест. При необходимост ги заменяйте. Ако има скърцане, Rope Locks HC трябва да се навлажни с вода или да се намаже с растително масло, например с олио.
- Проверете дали седалките на люлката и решетките не са счупени, а също така проверете въжетата за люлеене за протриване и орфване. За здравината на въжето може да се съди, като в местата на протриването сплитите на въжето се разтворят и внимателно се огледат за орфване и скъсване. Проверете здравината на колана на бебешката люлка. При необходимост го заменете.
- Проверете закрепването на жлеба върху подложката за пукнатини, където могат да се закачат, например, качулки на якета и да предизвикат омотаването.
- Всички принадлежности се почистват с топла вода и мек прах за пране. Твърде замърсените жлебове се почистват с очистител под високо налягане (внимавайте да не повредите повърхностите на жлебовете и дървото).

предпазна зона

- Проверете дали амортизиращата повърхност не е прекалено стегната, при необходимост я направете по-рохкава. Заравнете всички ями, например, под люлките-седалки.
- Проверете стабилността на игровото съоръжение.
- Проверете за предмети и съоръжения от рода на нависнали клони, въжета за пране или отпадъчни материали, които представляват непосредствени заплахи.

Грижи за безопасни условия

Излезлите от употреба дървени части на катерушката никога да не се изгарят. Изхвърлете всички ненужни метални части така, че да не създават опасност. Да не се изгаря байцван или боядисан пресован материал на мястото, за да не се замърси детската площадка. Изхвърлете го на общинското сметище.

БЕЗОПАСНА ИГРА

Внимание!

- Децата на каквато и да е било възраст трябва през цялото време да играят под надзора на възрастен.
- Обучавайте децата на безопасна игра.
- Обличайте децата по подходящ начин. Избягвайте аксесоари, облекло с връзки, широки облекла и връзки на шията, които могат да се закачат за уредите. Освен това, да се свалят велосипедните каски преди игра на детската площадка.
- Последното, но не по-важност: разчитайте на здравия разум, за да избегнете опасни ситуации.
- Изделията Jungle Gym® са предназначени за деца на възраст от 3 до 10 години, ако няма други указания.

безопасна игра (рис. 1)

1. Съоръжението не трябва да се използва при влажни атмосферни условия, поради опасност от подхлъзване, а също така при залесяване, когато дори и най-меката настилка може да се превърне в много твърда повърхност. Уредите трябва да се свалят и да се съхраняват в помещението при температура под 0° C (32° F).
2. Използването на детската площадка или уредите не по назначе-

ние може да доведе до повреди и дори травми. Не свивайте и не завивайте люлките, веригите, въжетата и другите уреди. Свиване намалява здравина на уреда и може да задържи влага.

3. Не позволявайте на децата да:

- подкачат на люлките по време на движение
- люлеят празни седалки или други празни уреди
- се люлеят под ъгъл
- увисват с главата надолу върху някаква част на катерушката
- хващат или да спират друго дете, намиращо се върху движещ се уред
- се разхождат наблизо отпред, между или отзад на движещи се уреди
- 4. Следете децата да сядат в средата на люлките, като се отпускат с цялото си тегло върху седалките. Не допускайте повече от едно дете да сядат на седалка. Стандартната кула: най-много 3 деца с максимално тегло 50 кг всеки могат да играят на съоръжението. Стандартната кула, комбинирана с люлка: най-много 5 деца с максимално тегло 50 кг всеки могат да играят на съоръжението.
- 5. Децата да не се катерят и да не увисват на рамите. Падането може да предизвика сериозни увреждания.
- 6. На детската площадка да няма съоръжения и пречки.
- 7. Всички отворени площи и подиуми увеличават риска от нещастни случаи. Рискът може да бъде значително намален с помощта на допълнителни приспособления от рода на дръжки, парпети и заграждения.
- 8. Не позволявайте на децата да се спускат по пързалката по друг начин, освен в седнало положение. Пързалката да не попада под преки слънчеви лъчи от южната страна. Всички компоненти могат да се нагреят при пряка слънчева светлина. Проверете дали катерушката не е нагорещена преди децата да играят върху нея. При необходимост охладете катерушката с вода и я подсушете преди тя да бъде използвана.

Необходими инструменти (рис. 2)

1. Рулетка, 2. Молвив, 3. Ножовка, 4. Пила за метал и дърво
5. Електрическа бормашина, 6. Чук, 7. доводер

Стандартни болтове съединения (рис. 3)

- Пробийте отверстието Ø 10 мм в детайла, който ще се закрепва.
- С помощта на чук набийте тялото на заварената гайка в отверстието. Изпъкващата част на гайката трябва да се скрие в дървото.
- Поставете стопорната шайба върху болта и след това – плоската шайба и болта. Ръчно притегнете болта към заварената гайка преди да притегнете всички болтове, използвайки 13-милиметров патрон на бормашината, докато пружината на стопорната шайба не бъде напълно притисната между главичката на болта и плоската шайба. Поставете защитната калачка върху болта.
- Ако болтът се окаже твърде къс, съветваме ви с 22-милиметров буртия да разширите отверстието отгоре на 15 мм или повече в дълбочина в най-дебелия дървен детайл така, че болтът да мине през сглобката. Обработете отверстието с байц. Понеже главата на болта сега не се показва, няма нужда от защитната калачка.
- Ако болтът е твърде дълъг, е необходимо стърчащия край да се изреже с ножовка. Загладете всички остри краища с пила.

Направляващо отверстие (рис. 4а+4б)

За да не се раздели дървото, препоръчва се да се пробият направляващи отверстия за всички винтове. Направляващите отверстия трябва да бъдат с 10 мм по-къси от дължината на винтовете.

Винтове за дърво (рис. 4а+4б)

- Пробийте направляващи отверстия Ø 3 мм за винтовете.
- Много е важно главите на всички винтове да са изрязани с повърхността на дървото и да няма никакви остри краища.

XL Stealth™ Винтове с квадратни глави (рис. 4б)

- За винта с квадратна глава първо се пробива отверстие Ø 5 мм през двата детайла, за да се затегне.
- Поставете плоската шайба и винта. Поставете винта в отверстието и с помощта на 40-милиметров патрон на електрическата бормашина го затегнете. Поставете защитната калачка върху винта.

Внимание! Не затягайте прекалено болтовете и винтовете!

Когато се използва твърда дървесина, е необходимо да се пробие помощна дупка с по-голям диаметър, в зависимост от плътността на дървесината.

040_805_GSI_bu_0300_20120911_PLA

SIKKERHEDSINSTRUKTIONER

Tillykke med dit nye Jungle Gym® -samlesæt. Med Jungle Gym®-samlesættet kan du på kort tid bygge en sikker legeplads til glæde for børnene i mange år fremover.

Jungle Gym®-samlesættet omfatter specielt udviklede dele, som er designet med stor vægt på børnenes sikkerhed. Delene har ingen skarpe hjørner eller fremstående dele og er endvidere modstandsdygtige over for al slags vejr. Udstyret er godkendt efter EU-standarder for legepladser til privat brug, EN 71-1,-2,-3,-8 & -9, forudsat at legepladsen samles og anvendes i overensstemmelse med denne vejledning. Følg derfor nøje vejledningen, og ændr ikke på designet.

da Advarsel. Kun til privat brug. Kun til udendørs brug. Maksimum brugervægt er 50 Kg. Ikke egnet til børn under 3 år. Velegnet til børn fra 3 til 10 år.

Produktet er udelukkende beregnet til brug ved enfamiliehuse i villakvarterer. Hvis legepladsen bygges på offentlige arealer, er der helt klart tale om misbrug af produktet.

Læs byggevejledningen nøje, inden du påbegynder arbejdet.

SIKKERHEDSFORSKRIFTER

Træ

- Behandl alle savede overflader og ender med et træbeskyttelsesmiddel beregnet til udendørs brug, så træet ikke rådner. Trykimpregneret træ skal også påføres et træbeskyttelsesmiddel.
- Vær især opmærksom på de dele, som har kontakt med jorden.
- Behandl også alle undersønkede huller og hullerne til rebstigen eller klatrerbet med et træbeskyttelsesmiddel.

Sikkerhedszone

- Placer legesæt på en ikke asfalteret stabil underlag, såsom græs eller et fast lag af sand. Anbring ikke legepladsen på asfalt, grus, beton eller andre hårde underlag.
- Jordoverfladen skal være plan. Hvis legepladsen opstilles på hældende grund, er der risiko for, at den begynder at hælde eller "trække sig skæv". Hvis legepladsen begynder at hælde, belastes alle forbindelser og sammenføjninger yderligere, og med tiden vil disse løsne sig og svigte.
- Sikkerhedszonen strækker sig 200 cm ud fra legepladsen til alle sider. Fald på sådanne underlag kan føre til person skade. Anbring om nødvendigt et absorberende underlag af løst materiale, f.eks.:

træflis	50 cm
fint grus	50 cm
groft sand	50 cm
træspåner	50 cm
græs	

- I sikkerhedszonen må der ikke forefindes nogen former for konstruktioner, hegn, garager, huse, overhængende grene, tørresnore, elledninger eller andre genstande, der kan ned-sætte sikkerheden.
- Opstil legepladsen, så den ikke står i vejen for stier eller gennemgange.
- Gem byggevejledningen til senere brug.

Safe installation

- Børn bør ikke opholde sig i arbejdsområdet, før sikkerhedszonen er ryddet for alle forhindringer, legepladsen er færdigbygget, alle skruer m.v. er strammet og kontrolleret, og alle redskaber og øvrige genstande, der ikke hører hjemme på legeområdet, er samlet op.
- Det kræver mindst to personer at bygge legepladsen, da der skal holdes og løftes under selve opbygningen.
- Kontrollér alle delene, og grupper dem, så de ligger inden for rækkevidde. Sammenlign delene i kassen med de dele, der er anvist i vejledningen, og kontrollér, at disse stemmer overens.
- Benyt passende tøj samt sikkerhedsudstyr (f.eks. sikkerheds-briller, støvmaske og handsker), når De saver, borer eller bygger.
- Følg denne sikkerhedsanvisning angående anvendt værktøj og tilbehør.
- Undlad at stå på platformen, før legepladsen er færdigbygget. Brug en stige, hvis der er for højt op.
- Legepladsen fastgøres i jorden med jordankre for at undgå, at den vælter eller forskydes. Hvis jorden ikke er stærk nok, skal jordankrene støbes i beton. Sørg for, at jordankrene ikke stikker op, så man kan falde over dem.
- Når legepladsen er bygget, fjernes eventuelle fremstående dele, såsom bolte og andre beslag, med en metalsav. Afrund alle skarpe kanter med en metalfil.
- For at undgå splinter slibes træet med sandpapir. Alle hjørner og kanter afrundes med sandpapir eller en fil.
- Der må ikke monteres ekstra tilbehør på legepladsen såsom reb og kæder.
- Jungle Gym® må ikke kombineres med produkter fra andre producenter, da det nedsætter sikkerheden.
- Anvend kun RopeLocks™ sammen med gyngekroge fra Jungle Gym®. RopeLocks™ må ikke anvendes til andre formål såsom bjergbestigning, hejsning eller stæbning.
- Gevindtet på LS-gyngekroge skal skrues helt ind i træet, så den strammes op mod tværbjælken. Det er vigtigt at justere gyngekroge, så den sidder korrekt. En forkert monteret eller justeret gyngekrog kan knække eller arbejde sig ud af træet og dermed forårsage skade!
- Afstanden mellem gynger (f.eks. sædet) og jorden skal være mindst 35 cm.
- Den indbyrdes afstand mellem gyngerne og stativet skal mindst være 30 cm.
- Afstanden mellem gyngekroge bør være 45 cm
- Afstanden mellem gynger o.lign. bør være 45 cm.
- Klatretov og rebstiger skal altid fastgøres både foroven og forneden. I modsat fald skal den frie ende knyttes til et galgetov.

KONTROL OG VEDLIGEHOLDELSE

Af sikkerhedshensyn skal legepladsen kontrolleres ved ibrugtagning og derefter to gange om måneden i sæsonen. Kontrollen skal omfatte nedenstående punkter. Hvis der ikke foretages vedligeholdelseskontrol med jævne mellemrum, kan dette aktivitetslegetøj tippes eller på anden måde udgøre en fare for omgivelserne.

Vigtige trækompone

- Undersøg legepladsen for splinter og eventuelle fejl i konstruktionen.

- For at beskytte træværket og undgå revner og råd som følge af fugt anbefales det, at der jævnligt vedligeholdes med træbeskyttelse. Dette gælder også impregneret træ. Det er kundens ansvar at vedligeholde træværket. Anvend ikke maling eller anden behandling, der kan gøre overfladen glat.

Beslag

- Kontrollér, at alle skruer og møtrikker er spændt tilstrækkeligt. Vær opmærksom på, at strukturen i træet ikke odelægges. Overspændte møtrikker og beslag kan forårsage odelæggelser i træet.
- Kontrollér de øvrige beslag samt bøjler og gyngekroge for rust, som kan nedbryde materialet. Hvis De er i tvivl, skal beslagene udskiftes.
- Kontroller, at jordankrene er sikrede. Juster eller udskift dem efter behov.

Tilbehør

- Kontrollér, at rebbeslagene (RopeLocks™) til gyngen er monteret korrekt. RopeLocks HC efterprøves ved at hænge i hvert enkelt tov i nogle sekunder. RopeLocks SC kontrolleres ved at belaste dem med din fulde vægt i nogle sekunder. Udskift efter behov. Hvis rebbeslagene (RopeLocks HC) piber, kan de fugtes med vand eller vegetabilsk olie, såsom olivenolie.
- Kontrollér, at sæderne på gyngen og trapezringen er intakte. Undersøg, om rebet er nedslidt, eller om der er opstået ek-strem fiberdannelse som følge af vridding af gyngeme, ved at åbne tovet på slidtagedstedet, så fibrene kan kontrolleres for brud. Udskift rebet, hvis du er i tvivl.
- Kontrollér fastgørelsen af glidebanen til platformen for revner, hvor f.eks. snore til hætter kan sætte sig fast, og i værste fald medføre kvælning.
- Tilbehøret rengøres med et mildt rengøringsmiddel. Hvis rutschebanen er meget snavset, kan den rengøres med en højtryksrenser. Pas på, at rutschebanens overflade ikke beskadiges.

Sikkerhedszone

- Kontrollér jævnligt underlagets absorberende virkning.
- Kontrollér legepladsens stabilitet.
- Kontrollér de nærmeste omgivelser for faremomenter, f.eks. overhængende grene, tørresnore og løstliggende materialer.

Miljøbeskyttelse

Hvis legepladsen kasseres, fjernes alle metaldele og træet deponeres på den lokale forbrændingsanstalt. Af hensyn til miljøet må du ikke selv afbrænde de impregnerede dele.

LEG SIKKERT

Vær opmærksom på følgende:

- Der bør altid være en voksen i nærheden, når børnene leger – uanset deres alder.
- Lær børnene at lege sikkert på legepladsen.
- Jungle Gym® er produceret til børn i alderen 3 til 10 år, med mindre andet er angivet.
- Børnenes påklædning bør være egnet til udendørs leg. Undgå løst-hængende tøj og tilbehør med snore, som kan hænge fast i legeredskabet.
- Sidst, men ikke mindst: Brug fornuften, og vær opmærksom på farlige situationer.

Leg sikkert (ill. 1)

- Legepladsen bør ikke anvendes i vådt vejr og i frostvejr, da overfladen kan være glat. Selv den blødeste sne kan blive til hård is. Tilbehøret bør opbevares indendørs, når temperaturen falder til under 0° C.
- Anvendelse af legeplads og tilbehør udover det anbefalede kan forårsage ting- eller personskade. Gynger, kæder, reb og andet tilbehør må ikke vrides eller vikles, da dette reducerer tilbehørets styrke og levetid og kan medføre, at børnene sidder fast.
- Advar børnene om ikke at hoppe af gyngen under bevægelse; svinge en tom gyng eller andet tilbehør; gyng på tværs; hænge på hovedet på dele af legepladsen; stoppe eller hive i et andet barn, som er i bevægelse; gå for tæt på, foran, imellem eller bag ved legetøj i bevægelse.
- Børnene bør sidde midt på gyngen med deres fulde vægt på sædet. Der må ikke være flere børn på legepladsen, end den er beregnet til. På et almindeligt klatretårn må der højst lege tre børn samtidig på maks. 50 kg hver. På et klatretårn kombineret med en gyng må der højst lege fem børn samtidig på 50 kg hver.
- At klatre eller hænge på klatrestativet kan forårsage alvorlige skader ved fald.
- Legeområdet skal holdes fri for alle genstande og forhindringer.
- En åben platform øger risikoen for ulykker. Risikoen reduceres ved at montere sikkerhedsudstyr som f.eks. håndtag, sikkerhedstremmer og afskærmning.
- Rutschebanen må kun anvendes i siddende stilling. Tilbehøret kan blive varmt, når det påvirkes af direkte sollys. Sørg derfor altid for, at tilbehøret ikke er for varmt, inden børnene begynder at lege, f.eks. ved at nedkøle det med koldt vand og derefter tørre det.

Anbefalet værktøj til opbygning (ill. 02)

- Målebånd, 2. Blyant, 3. Håndsav, 4. Træ- og metalfil, 5. Boremaskine, 6. Hammer, 7. Vatterpas

Standardboltsamling (ill. 3)

- Bør et ø10 mm hul ø i de dele, der skal samles.
- Slå en svejsemøtrik ned i hullet med en hammer. Den frem-springende krave på svejsemøtrikken skal være helt nede i træet.
- Anbring først låseskiven og derefter den flade skive og den nederste del af beskyttelseshætten på bolten. Skru indledningsvis bolten i med hånden, så den sidder fast i svejsemøtrikken. Stram derefter hver enkelt bolt ved hjælp af en elektrisk boremaskine og en 13 mm bit, indtil låseskivens fjed-ervirkning er helt neutraliseret mellem bolthovedet og den flade skive. Sæt den øverste del af beskyttelseshætten på skruen.
- Hvis bolten er for kort, anbefales det at undersøge den øverste del af hullet i den tykkeste del af træet ved hjælp af et Ø22 mm bor til en dybde af 15 mm eller mere, så bolten er forsænket efter montage. Behandl hullet med bejdse. Da bolthovedet nu er forsænket, er det ikke nødvendigt at sætte beskyttelseshætten på bolten.
- If the bolt appears too long, it is necessary to remove the pro-truding end by cutting it off using a metal saw. If any sharp edges appear, use a file.

- Hvis bolten er for lang, skal det fremspringende stykke fjernes ved hjælp af en metalsav. Fil eventuelle skarpe kanter.

Pilothuller (ill. 4a+4b)

For at forhindre træet i at flække anbefales det at bore pilothuller til alle skruer. Pilothullerne bør være 10 mm kortere end skrueens længde.

Træsruer (ill. 4a)

- Bør ø3 mm pilothuller til træskruerne.
- Det er meget vigtigt at sørge for, at alle skruerhovederne er i niveau med træet, og at der ikke er nogen fremtrædende skarpe kanter.

XL Stealth™ franske skruer (ill. 4b)

- For at isætte en XL Stealth™ fransk skrue skal der først bores et ø5 mm hul gennem begge de dele, der skal samles.
- Anbring den flade skive og den nederste del af beskyttelse shætten på skruen. Anbring skruen i hullet, og stram den med en elektrisk boremaskine med en T40 bit. Sæt den øverste del af beskyttelseshætten på skruen.

Forsigtig! Undlad at overstramme bolte og skruer!

Når man anvender hårdt-træ, kan det være nødvendigt at forbore med en større diameter, afhængig af træets densitet (massefylde).

040_805_GSI_da_0300_20120911_1fA

INSTRUCCIONES GENERALES DE SEGURIDAD

Felicidades por la compra de este kit Jungle Gym® "hágalo usted mismo". Este kit contiene todas las partes y accesorios necesarios para construir su propio patio de recreo. Con la compra de este kit Jungle Gym® usted tiene la posibilidad de construir un juego seguro en poco tiempo: un placer garantizado para sus niños para muchos años.

El kit Jungle Gym® contiene piezas metálicas especialmente desarrolladas. Estas piezas metálicas fueron diseñadas cuidadosamente y teniendo muy en cuenta la seguridad de los niños como elemento prioritario. El equipo no tiene ángulos puntiagudos o partes que sobresalgan y está protegido contra todo tipo de inclemencias meteorológicas. Todos los componentes incluidos en los kits tienen la garantía de las normas EN 71-1,-2,-3, -8 & -9 (Estándar de seguridad Europea) para uso privado, bajo la condición de que el kit se construya y se use correctamente de acuerdo con el manual. No se aparte de estos planos ni cambie el diseño.

Advertencias. Sólo para uso doméstico. Sólo para uso en exteriores. Peso máximo del usuario: 50 kg. No conveniente para niños menores de tres años. Apto para niños de tres a diez años.

Este producto está destinado solamente para el uso en residencias familiares individuales. Su instalación pública o dominio público es claramente un mal uso de este producto.

Lea cuidadosamente estas instrucciones de montaje antes de comenzar con la construcción. Guarde estas instrucciones de montaje para tener una referencia en el futuro.

INSTRUCCIONES DE SEGURIDAD

Madera

- Trate todas las partes y extremidades con un lasur para prevenir que se pudran, también cuando se usa madera tratada al autoclave.
- Ponga atención especial a las partes que tienen contacto con el suelo.
- Trate todos los orificios, también los de la escala de cuerda y la cuerda para escalar con un lasur.

Área de seguridad del juego

- Coloque el parque infantil en una superficie firme sin pavimentar, como la hierba o una sólida capa de arena. No instale su juego sobre concreto, grava, asfalto, tierra comprimida u otra superficie dura.
- La superficie del suelo debe ser plana. Si instala su juego en una pendiente puede provocar que se incline o se caiga. Esta inclinación hace presión adicional sobre todas las conexiones y ensambladuras y con el paso del tiempo resulta que esas conexiones se sueltan y fallan.
- El área de seguridad del juego es la zona que amplía en un radio de 200 centímetros el espacio ocupado por el juego fijado en todos los lados. Una caída sobre una superficie dura puede ocasionar serias heridas. Instale la cubierta del terreno en el área de seguridad. Lo siguiente es una lista de materiales recomendados para cubrir el suelo.

Material sugerido

	profundidad descomprimida
Corteza (de árbol) doble desfibrada	50 cm
Virutas de madera uniformes	50 cm
Grava fina	50 cm
Arena fina	50 cm
Hierba	

- El área de seguridad del juego debe estar fuera de cualquiera estructura u obstrucción, como una valla, garaje, casa, ramas que sobresalgan, cuerdas para tender ropa o cables eléctricos.
- No sitúe su juego en la dirección de caminos o pasillos.
- Cualquier valla para contener la cubierta del terreno tiene que estar fuera del área segura para jugar (vigas para jardín o vigas de ferrocarril).

Instalación segura

- Los niños deberán estar fuera del lugar de trabajo hasta que el terreno esté seguro para jugar y haya sido despejado de obstáculos, cuando el kit haya sido completamente instalado, todo el equipo haya sido fijado y controlado, y todas las herramientas y otros componentes, que no pertenecen al terreno para jugar hayan sido recogidos.
- Cuando se arma este juego, se requiere por lo menos dos personas para levantar y fijar barras, armazones u otro montaje pesado antes de empujar o atornillar.
- Controle todas las partes y agrúpelas sistemáticamente a su lado. Compárelas con la lista de componentes.
- Use ropa y equipo de seguridad correcta (Ej.: gafas de seguridad, máscara para el polvo y guantes) cuando usted sierra, taladre, lije, barnice o una el juego y especialmente cuando esté trabajando con madera tratada al autoclave.
- Siga las recomendaciones de seguridad del fabricante para las herramientas y el equipo que usted use.
- No use la plataforma hasta que el juego esté completamente montado. Use la escalera en caso de que no alcance las partes superiores.
- El juego tiene que estar sujeto firmemente para prevenir que se caiga o se mueva. Si las condiciones del terreno permiten que las estacas se saquen fácilmente del suelo, entonces se requiere en cimentar. Asegúrese que las vigas no sobresalgan del suelo porque los niños pueden caer sobre ellos.
- Después del montaje asegúrese de usar una sierra para metal para cortar todas las partes sobresalientes de pernos y otros fijadores. Haga desaparecer todos los bordes puntiagudos con una lima para metal.
- Para prevenir astillas lime la madera con un pedazo de papel liga. También suavice todos los ángulos con papel liga o una lima para metal en un radio de 3 milímetros.
- No coloque cosas extras en este juego gimnástico, tales como cuerdas, cadenas, cuerdas pesadas u otros.
- No combine productos de otros fabricantes con productos Jungle Gym®, porque puede disminuir la seguridad.
- Use solamente "Rope locks" (cierre de cuerda) en combinación con ganchos de columpio Jungle Gym®. No use los "Rope locks" (cierre de cuerda) para otros fines, como escalar montañas o tirar carga.
- El hilo de rosca del tornillo del Swing Hook se debe atornillar en la madera completamente y firmemente contra la viga cruzada. Es importante que usted alinee el Swing Hook en la posición apropiada. Un gancho incorrectamente instalado o mal alineado puede romper o sacar y causar lesión!

- La distancia entre accesorios para columpiarse (por ejemplo un asiento de columpio) y el área de juego debe ser por lo menos de 35 cm.
- La distancia entre accesorios debe ser por lo menos de 30 cm.
- La distancia entre los Swing Hooks debe ser de 45 cm.
- La distancia entre los columpios debe ser de 45 cm.
- Una cuerda para escalar o una escala de cuerda siempre tiene que estar asegurada tanto en la parte superior como inferior, porque la cuerda libre puede anudarse a una soga y los niños pueden quedar enredados.

INSPECCIÓN Y MANUTENCIÓN

Para asegurar la seguridad de los usuarios del juego, este debe ser sometido a la inspección de seguridad, mencionada más abajo, una vez al comienzo de cada temporada y dos veces por mes durante la temporada de uso. Si las comprobaciones de mantenimiento no se efectúan regularmente, el columpio puede volcar o resultar peligroso.

Componentes de madera

- Revise astillas y otros posibles defectos de construcción.
- Mantenga el juego con aplicaciones periódicas de lasur para prevenir que la madera se pudra. No use pintura que pueda causar una superficie resbalosa.

Piezas metálicas

- Controle si todo el equipo está fijo o apretado. Atención: piezas metálicas demasiado apretadas aplastan las fibras de la madera, y pueden partir las tablas.
- Controle la corrosión de las piezas metálicas restantes, soportes y ganchos del columpio. Reemplácelas cuando sea necesario.
- Controle los fundamentos en el suelo para asegurarse que están seguros. Si fuese necesario repóngalo o reemplácelo.

Accesorios (si fuese conveniente)

- Controle si los « Rope locks » (cierres de cuerda) están correctamente instalados sobre los Jungle Gym® ganchos del columpio. Para controlar los « Rope locks » (cierres de cuerda) de las cuerdas suspendidas, cuélguese de cada cuerda con todo su peso durante unos segundos. Reemplácelo si es necesario. Los « Ropelocks » (cierres de cuerda) de las cuerdas del columpio pueden ser controlados sentándose sobre el accesorio con todo su peso por algunos segundos. Si se esucha algún chirrido se pueden humedecer los « Rope locks » (cierres de cuerda) de las cuerdas suspendidas con agua o con aceite vegetal o aceite de oliva.
- Controle los asientos del columpio y las barras si están completas y controle las cuerdas del columpio de desgastes o creación extrema de fibras. Para valorar correctamente la fiabilidad de la cuerda, abra los hilos donde ocurrieron los desgastes y controle cuidadosamente si los filamentos se han quebrado. Verifique la cinta del Baby Swing. Reemplácela cuando sea necesario.
- Controle la conexión del tobogán a la plataforma de grietas en las cuales, por ejemplo, pueden quedar atrapadas las cuerdas de capuchones lo que ocasionaría que se engancharan.
- Todos los accesorios pueden ser limpiados con agua caliente y un detergente suave. Los toboganes muy sucios pueden ser limpiados con una manguera de alta presión, tenga cuidado de no dañar la superficie en que se desliza.

Área de seguridad del juego

- Controle si la superficie que amortigua los choques no está demasiado comprimida, suéltela si fuese necesario. Rellene cualquier hoyo, por ejemplo bajo los asientos del columpio.
- Controle la estabilidad de los juegos.
- Controle los alrededores de peligro directo; como por ejemplo ramas que sobresalgan, cuerdas para tender ropa o materiales sueltos.

Protección ecológica

Las partes de madera de los juegos nunca deben ser quemados cuando se desechan. Deseche todas las partes de metal para no crear riesgos. No está permitido que usted mismo quemar madera prensada o pintada, por razones de contaminación ambiental. Llévela a la zona de desechos local.

JUEGO SEGURO

Atención:

- Supervise el lugar previsto para jugar a los niños de todas las edades en todo momento.
- Enseñe a los niños a jugar con seguridad.
- Vista a los niños correctamente. Evite accesorios y ropa con cuerdas para tirar y ropa suelta, que puedan quedar enredadas o enganchadas en el juego.
- Lo último en orden aunque no en importancia: use el sentido común para evitar cualquier posible situación peligrosa.
- Los productos Jungle Gym® están diseñados para ser utilizados por niños de 3 hasta 10 años, si no se indica de otra manera.

Juegue seguro (il. 1)

1. No se debe jugar en el juego en condiciones meteorológicas húmedas debido a que las superficies son potencialmente resbaladizas o en periodos helados, puesto que el pavimento más suave puede cambiar en una superficie muy dura. Los accesorios deben ser sacados y llevados para adentro cuando las temperaturas bajan de los 0° C (32° F).
2. El uso del juego o de los accesorios para cualquier otro fin, puede causar daños y heridas. No tuerza o enrolle columpios, cadenas, cuerdas o cualquier otro accesorio. Torcer reducirá la resistencia de los accesorios.
3. Advierta a los niños de no:
 - Saltar de los columpios mientras están en movimiento
 - Mover los asientos vacíos u otros accesorios vacíos
 - Columpiarse en un ángulo
 - Colgarse de cualquier parte del juego gimnástico
 - Tomar o parar otro niño en un equipo que está en movimiento
 - Caminar cerca, frente, entre, o detrás de un accesorio que se mueve
4. Advierta a los niños, que se sienten en el centro de los columpios, con todo su peso en los asientos. Sólo un niño debe ser admitido por cada asiento planeado. Una torre estándar: se permite jugar en el juego un máximo de 3 niños con un peso máximo de 50 Kg. cada uno.

5. No se debe permitir que se suba o se cuelgue del armazón del juego. Podría herirse severamente en la caída.
6. El área del juego tiene que estar libre de estructuras y obstáculos.
7. Cada área abierta sobre una plataforma agranda el riesgo de posibles accidentes. El riesgo puede ser reducido significativamente tomando precauciones de seguridad como manillas, barras de seguridad y tablas de cercado.
8. No permita que los niños bajen del tobogán de ninguna otra manera que sentados.
9. Evite la exposición al sol del tobogán. Todos los componentes pueden calentarse cuando son expuestos al sol directo. Asegúrese que el juego no está caliente antes de permitir que jueguen los niños. Si fuese necesario se puede enfriar el juego con agua.

Herramientas requeridas (il. 2)

- 1 Sierra, 2 Lápiz, 3 Cinta métrica, 4 Lima para madera y metal, 5 Taladro eléctrico, 6 Martillo, 7 Nivel de burbuja

Conexión de tornillo estándar (il. 3)

- Perfore un agujero de 10 milímetros en las piezas que se sujetarán.
- Golpee el barril de la tuerca de la autógena con un martillo en el agujero. El barril que resalta de la tuerca de la autógena debe estar dentro de la madera.
- Coloque la arandela de cerradura sobre la caña del tornillo, seguida por la parte plana de la arandela e inferior de la tapa del tornillo.
- Comience el ajuste preliminar del tornillo en la tuerca de la autógena a mano antes de usar el zócalo de 13 milímetros en su taladro eléctrico para apretar cada tornillo hasta que la acción del resorte de la arandela de cerradura se comprima completamente entre el jefe del tornillo y la arandela plana. Cierre la tapa de protección del tornillo con su tapa.
- Si resulta que el tornillo es demasiado corto, aconsejamos un taladro de 22 milímetros para profundizar la primera parte del agujero en la zona más gruesa de la madera, de modo que la cabeza del tornillo esté galvanizado. Trate el agujero con protección de lasur. Ya que la cabeza del tornillo está galvanizada, no hay necesidad de utilizar la tapa de protección del tornillo.
- Si resulta que el tornillo es demasiado largo, será necesario sacar el extremo saliente cortándolo. Si aparecen bordes puntiagudos, use una lima..

Orificios de guía (il. 4a+4b)

Para evitar que la madera se parta, se recomienda hacer orificios de guía para todos los tornillos. Estos orificios de guía son 10 milímetros más cortos que los tornillos.

Tornillos de madera (il. 4a)

- Haga un agujero piloto de 3 milímetros para los tornillos de madera.
- Es muy importante asegurarse que las tapas de todos los tornillos sean rasantes con la superficie de la madera y que no hagan bordes agudos que resalten.

XL Stealth™ tornillos del retraso (il. 4b)

- Para un XL Stealth™ tornillo del retraso primero perfore un agujero de 5 milímetros a través de ambas piezas que se sujetarán.
- Coloque el tornillo en agujero y utilice zócalo de T40 bit en su taladro eléctrico a apretar. Cierre la tapa de protección del tornillo con su tapa. Precaución: no apriete demasiado los pernos y los tornillos!

Precaución: No apriete demasiado los pernos y los tornillos!

Trabajando la madera tropical puede ser necesario pretaladrar con un diámetro más grande, dependiendo de la densidad de la madera.

040_805_GSI_es_0300_20120911_n1A

INDICAZIONI PER LA SICUREZZA

Complimenti per aver acquistato questo kit di montaggio! Grazie all'acquisto del kit Jungle Gym® sarete in grado di allestire in breve tempo nel vostro giardino un piccolo campo giochi, che farà divertire per anni i vostri bambini.

I kit Jungle Gym® sono composti di materiale di fissaggio realizzato appositamente. Nella fase di realizzazione si è prestata molta attenzione alla sicurezza. Il materiale metallico di fissaggio non ha, infatti, alcun angolo appuntito né parti sporgenti ed è resistente agli influssi atmosferici. I materiali utilizzati nei kit Jungle Gym® soddisfano i requisiti e le norme di sicurezza e di qualità definiti nella Direttiva Europea per i giocattoli (EN 71-1,-2,-3,-8 & -9) per utilizzo privato, purché utilizzati e montati in modo corretto. Non distorcete da quanto descritto nel manuale e non apportate alcuna modifica al progetto.

Avvertenze. Solo per uso domestico. Solo per uso esterno. Il massimo peso dell'utente è 50 Kg. Non adatto a bambini di età inferiore a 3 anni. Adatto a bambini con età compresa tra 3 e 10 anni.

Questo prodotto è da utilizzare solo in ambito familiare. Le installazioni in luoghi pubblici o per utilizzo pubblico non corrispondono al corretto uso di questo prodotto.

Leggere attentamente le presenti istruzioni fino in fondo, prima di iniziare la costruzione. Conservare il presente manuale così da poterlo consultare ogni volta che sarà necessario.

NORME DI SICUREZZA

Legname

- Per evitare che il legno, anche se impregnato, marcisca, trattare con mordente per esterni tutte le superfici segate e le parti di testa del legno.
- Prestare una particolare attenzione alle parti che entrano in contatto con il terreno.
- Trattare allo stesso modo anche eventuali fori provocati da viti e bulloni andati troppo a fondo e i fori per le scale di corda o per le corde di salita.

Area di sicurezza

- Posizionare il playset su una superficie stabile sterrata, come erba o un solido strato di sabbia. L'attrezzatura non va collocata su una superficie dura quale cemento, ghiaia o asfalto.
- La superficie del terreno dev'essere piana. L'installazione dell'attrezzatura da gioco su terreno inclinato può far sì che essa si inclini o venga a trovarsi in posizione errata. Tale inclinazione può mettere sotto eccessiva pressione tutte le connessioni e le giunture e, col passare del tempo, farà sì che tali connessioni si allentino e non funzionino più correttamente.
- L'area di sicurezza del gioco si riferisce ad una zona che si estende a 200 cm in tutti i lati del gioco. Le cadute su un terreno duro possono causare lesioni. Qui di seguito viene riportato un elenco dei tipi di terreno raccomandati.

Materiale suggerito

	profondità prima della compattazione
Corteccia d'albero a trucioli fini	50 cm
Trucioli di legno uniformi	50 cm
Ghiaia fine	50 cm
Sabbia fine	50 cm
Erba	

- Collocare ogni attrezzo di gioco in modo del tutto isolato su una base piana, ad almeno 200 cm da ostacoli come alberi, corde per il bucato, recinzioni, edifici o fili elettrici
- Collocare l'attrezzatura in modo che non interferisca con sentieri o passaggi.
- Qualsiasi bordura utilizzata per contenere il terreno dev'essere posta oltre l'area di sicurezza prevista per il gioco (legno da giardinaggio o traversine da ferrovia)

Montaggio in sicurezza

- I bambini devono restare lontani dall'area di lavoro fino a che lo spazio destinato al gioco non è stato privato degli ostacoli.
- L'attrezzatura da gioco è stata completamente montata, tutte le parti metalliche sono state correttamente fissate e verificate e tutti gli strumenti e altri oggetti che non devono trovarsi nell'area di gioco sono stati raccolti e messi via.
- Quando si costruisce questa attrezzatura da gioco, occorre che vi siano almeno due persone per sollevare e tenere fermi travi, cornici o altri elementi pesanti prima di fissare le viti o i bulloni. La costruzione richiede 1 ora per l'assemblaggio di un'altalena e fino a 4 ore per quello di una torre da scivolo
- Verificare tutte le parti e raggrupparle in modo sistematico in maniera che siano a portata di mano. Paragonearle con quanto riportato nell'elenco delle parti.
- Indossare indumenti da lavoro e strumenti di sicurezza efficaci (occhiali di sicurezza, una mascherina antipolvere e guanti) se si deve segare, perforare, levigare, trattare con mordente o assemblare, soprattutto quando si lavora il legno impregnato ad alta pressione.
- Seguire le indicazioni del produttore degli utensili utilizzati.
- Non salire in piedi sulla piattaforma fino a che l'insieme del gioco non sia completamente montato, usare la scala se non si riesce a raggiungere la parte alta della struttura.
- Ancorare l'attrezzatura al suolo con materiale fabbricato a tale scopo in modo da evitare che si rovesci o scivoli. Se il terreno non è sufficientemente solido, i picchetti di ancoraggio devono essere fissati con cemento. Fare attenzione, in tal caso, a che i picchetti non spuntino dal suolo, perché i bambini vi potrebbero inciampare.
- Una volta ultimata la costruzione, segare tutte le parti sporgenti con una sega per il ferro e levigare le parti appuntite con una lima.
- Al fine di evitare schegge, levigare le parti in legno con carta vetrata. Arrotondare tutti gli angoli con carta vetrata o con una lima fino ad ottenere un raggio pari a 3 mm.
- Non fissare all'attrezzatura altri oggetti come corde, catene o altri elementi.
- Non combinare prodotti di altri produttori con quelli di Jungle Gym®, perché ciò potrebbe compromettere la sicurezza delle attrezzature.
- Usare RopeLocks™ soltanto in combinazione con i ganci dell'altalena di Jungle Gym®. È proibito usare altrimenti i RopeLocks™, per esempio per l'alpinismo o per sollevare o trascinare pesi.

- Il filetto della vite del gancio dell'altalena deve essere avvitato nel legno fino in fondo nell'incrocio dei pali. È importante che si alinee il gancio dell'altalena nella posizione adeguata, installarla in modo improprio o mal allineata può far rompere o estrarre il gancio dell'altalena, provocando ferite.
- Tra un accessorio dell'altalena (per esempio un sedile di altalena) e il suolo vi deve essere una distanza pari ad almeno 35 cm.
- La distanza reciproca tra un accessorio e il telaio non deve essere inferiore a 30 cm.
- La distanza fra i ganci dell'altalena deve essere di 45 cm.
- La distanza fra gli accessori dell'altalena deve essere di 45 cm.
- Corde per arrampicarsi o scale di corda devono essere sempre fissate sopra e sotto, in modo da evitare che si possa fare un cappio con l'estremità libera.

ISPEZIONE E MANUTENZIONE

Per poter garantire la sicurezza degli utenti, l'attrezzatura dovrà essere controllata accuratamente al momento della messa in esercizio, e poi due volte al mese durante il periodo di utilizzo ed una volta all'inizio della stagione, secondo le istruzioni qui sotto riportate attinenti all'ispezione di sicurezza. Il giocattolo potrebbe ribaltarsi e diventare un pericolo se non vengono eseguiti regolarmente i controlli di manutenzione.

Parti in legno

- Accertarsi che non vi siano schegge né eventuali danni strutturali di altro tipo.
- Un trattamento regolare con del mordente per esterni aiuta a impedire che il legno marcisca. Non utilizzare una vernice che rende scivolose le superfici

Materiali di fissaggio

- Controllare che tutti i bulloni e le viti non siano allentati. Attenzione: se le viti o i bulloni sono troppo serrati, si formano schegge e/o fenditure.
- Controllare che gli altri materiali di fissaggio, staffe e ganci dell'altalena non presentino tracce di ruggine tali da pregiudicare la resistenza del metallo. In caso di dubbi, sostituire le parti in questione.
- Controllare l'ancoraggio al suolo. Per essere sicuri che siano fissati, se necessario riposizionarli.

Accessori (se utilizzati)

- Accertarsi che i ganci di RopeLocks™ siano stati montati ed appesi in modo corretto ai ganci dell'altalena di Jungle Gym®. Per controllare i Rope Locks HC si deve restare appesi per alcuni secondi con tutto il proprio peso a ciascuna delle corde dell'altalena. I RopeLocks SC si pos sono controllare caricando per alcuni secondi l'accessorio in questione con tutto il proprio peso Riposizionare quando necessario. Il cigolio dei RopeLocks™ può essere eliminato bagnando questi ultimi con acqua. O un olio vegetale come ad es. l'olio d'oliva
- Accertarsi dell'assenza di crepe e di rotture sui sedili dell'altalena e sui trapezi e verificare che le corde dell'altalena non siano sfilacciate e non presentino considerevoli formazioni di fibre a seguito della rotazione degli accessori dell'altalena. Per poter valutare bene il fenomeno, nel punto in cui si costata un eventuale logorio bisogna girare le corde in senso inverso alla rotazione subita; si potrà così verificare se le fibre della corda dell'altalena presentano rotture. Sostituire in caso di dubbi.
- Controllare che il dispositivo di ancoraggio dello scivolo alla piattaforma non presenti fessure alle quali si possano impigliare, per esem pio, i lacci dei cappucci, causando strangolamento.
- Gli accessori possono essere puliti con un detergente non abrasivo. Se lo scivolo è estremamente sporco, si potrà eventualmente pulirlo con un pultore ad alta pressione. Fare tuttavia attenzione a non danneggiare la superficie dello scivolo.

Area di sicurezza

- Controllare che il terreno non sia troppo compresso. Se necessario, rastrellarlo. Riempire gli eventuali buchi, per esempio sotto i sedili dell'altalena.
- Controllare la stabilità dell'attrezzatura.
- Verificare che nelle immediate vicinanze dell'attrezzatura non siano presenti oggetti che possono costituire pericolo immediato (rami di alberi, corde per stendere la biancheria, materiali vari sparsi).

Inquinamento ambientale

Se si decide di disfarsi dell'attrezzatura, rimuovere tutte le parti metalliche così da non creare situazioni pericolose. Portare il legno a un apposito centro di raccolta rifiuti locale. Per ragioni di rispetto dell'ambiente, il legno impregnato, trattato con mordente o dipinto non deve essere bruciato dagli utenti finali o da altre persone non addette al trattamento dei rifiuti.

SICUREZZA DEL GIOCO

Attenzione:

- Fare in modo che i bambini giochino sempre sotto sorveglianza di un adulto.
- Insegnare ai bambini a giocare in maniera sicura.
- Controllare che i bambini indossino degli indumenti adeguati. Verificare che non indossino alcun indumento allentato, con delle corde celle o con accessori che possono restare impigliati.
- Usare il buon senso per evitare incidenti.
- I prodotti Jungle Gym® sono destinati a bambini dai 3 ai 10 anni, a meno che non siano espressamente indicate altre età.

Sicurezza del gioco (ill. 1)

- In caso di pioggia, non si può giocare con gli attrezzi, poiché alcune parti possono diventare scivolose. In caso di gelo, anche le superfici morbide possono trasformarsi in strati durissimi. Portare al chiuso gli accessori qualora la temperatura scenda sotto gli 0° C.
- Non utilizzare l'attrezzatura o gli accessori per scopi diversi dalla loro destinazione di utilizzo, altrimenti vi è il rischio di danni o lesioni. Accertarsi che i bambini non torcano gli accessori, perché ciò pregiudica la sicurezza delle corde e ne accorcia la durata. I bambini potrebbero anche rimanervi imprigionati.
- Fare in modo che i bambini non saltino giù da altalene in movimento.
- Proibire ai bambini di fare oscillare avanti e indietro gli accessori senza occupante.

- Proibire ai bambini di oscillare di traverso o in diagonale.
- Proibire ai bambini di penzolare capovolti dall'attrezzatura.
- Fare in modo che i bambini non si afferrino reciprocamente oscillando.
- Fare in modo che i bambini non passino davanti, fra o accanto ad altri accessori in movimento.
- Fare sedere i bambini con tutto il loro peso al centro dell'altalena. Controllare che il numero di bambini che giocano con un determinato accessorio non sia superiore a quello previsto. In una comune torre di salita possono giocare contemporaneamente non più di 3 bambini di peso non superiore a 50 Kg. Se una torre di salita è combinata con un'altalena, vi possono giocare contemporaneamente non più di 5 bambini di peso non superiore a 50 Kg.
- Non fare salire i bambini sulle scale superiori se vi sono altri bambini che stanno usando gli accessori inferiori. Eventuali cadute da tali altezze possono dar luogo a lesioni.
- The play area must be free of all structures and obstacles.
- In ogni parte aperta di una piattaforma possono verificarsi degli incidenti. Tale rischio risulta sensibilmente ridotto se si applicano maniglie, sostegni di sicurezza o ringhiere.
- Fare in modo che i bambini vadano giù dallo scivolo sempre seduti con il viso rivolto in avanti. Non posizionare lo scivolo verso sud per non esporlo a calore solare eccessivo. Prima che i bambini vadano a giocare, controllare che le superfici non siano troppo calde. Raffreddarle eventualmente con acqua, e poi asciugarle.

Utensili necessari (ill. 2)

- Metro a nastro, 2. Matita, 3. Sega obliqua, 4. Lima per legno e metallo, 5. Trapano elettrico, 6. Martello, 7. Livello a bolla

Giunzione bullonata standard (ill. 3)

- Trapanare con punta da ø10 mm nelle parti da fissare.
- Colpire il barilotto del dado con un Martello nel foro, La sporgenza del dado deve essere all'interno del legno
- Disporre della rondella del bloccaggio sopra la tibia del bullone, seguita dalla parte inferiore della rondella del bullone, iniziare il fissaggio preliminarmente del bullone a mano prima di usare l'avvitatore da 13 mm per stringere ogni bullone, fino all'azione della molla di bloccaggio che ha luogo con la compressione completa fra la testa del bullone e la rondella piana. Chiudere poi la testa del bullone con la sua protezione.
- Se il bullone sembra troppo piccolo, non posizionare lo scivolo verso sud per non esporlo a calore solare eccessivo. Prima che i bambini vadano a giocare, controllare che le superfici non siano troppo calde. Raffreddarle eventualmente con acqua, e poi asciugarle.
- Se il bullone è troppo lungo, si dovrà segarne la parte sporgente. Limare ogni eventuale sbavatura affilata.

Trapanatura preliminare (ill.4a+4b)

Per fare in modo che il legno non si spacchi, si consiglia di eseguire una trapanatura preliminare in modo da agevolare l'inserimento delle viti. Praticare un foro di 10 mm più corto della vite.

Viti da legno (ill. 4a)

- Trapanare con punta da ø3 mm per viti da legno.
- È molto importante avvitare fino in fondo, con la punta di tutte le viti rasentino la superficie del legno e non ci siano protuberanze taglienti.

XL Stealth™ viti rivestite (ill. 4b)

- Per le XL Stealth™ viti rivestite, innanzitutto occorre usare il trapano con foro da ø5 mm nei punti fissati.
- Disporre la rondella e la protezione del bullone sopra la tibia della vite. Disporre la vite nel foro e usare la presa da T40, del trapano elettrico nella chiusura la protezione del bullone con il suo cappuccio.

Attenzione: non stringere troppo bulloni e viti!

Quando si usa il legno esotico può essere necessario perforare i fori pilota con una punta del trapano di maggior diametro, secondo la compattezza del legno.

040_805_GSI_0300_20120911_R1A

一般的安全説明書

Jungle gym® Do It Yourself(ジャングルジムドゥ イットユアセルフ)キットをご購入いただきありがとうございます。このジャングルジムキットによって、短時間で何年間にもわたってお子さまが楽しめる安全なプレイセットを組立てることが出来ます。

ジャングルジムキットには特別に開発されたハードウェアが含まれています。この材料は入念に注意を払って、お子さまの安全が一番重要であるという意識の下に設計されています。このハードウェアには一切の鋭利な角や、とがった部品は使用しておりませんし、気候による変動の可能性を排除しています。この遊戯用器具が本マニュアルに従って組立てられ、適正に使用されることを条件に、キットに含まれる部品は、すべて個人的使用に使用されるEN 71-1、2、3、8&9(欧州安全規格)に準拠しております。ここに示された図面から逸脱し、設計を変更してはなりません。

本製品は、1つの家族が家庭で使用することを目的としています。公共施設や公衆の場に設置することは本製品の明らかな誤用となります。

組み立てを始める前にこの説明書を注意深く読み、説明書は大切に保管しておいてください。

安全説明

木材

- 腐食を防ぐため、すべての鋸引き面と端面を戸外用木材防腐剤で処理します。また、加圧処理した木材を使用する場合も同様です。
- 地面に接する部品には特に注意します。
- 皿もみされた穴や、ロープ ラダー(なわばしご)またはクライミング
- ロープの穴はステイン処理すること。

安全遊技区域

- 安全遊技区域とは、プレイセットの全周囲から20 cm外側までの範囲を言います。
- 安全遊技区域には、構造物、フェンス、ガレージ、家、垂れ下がった枝、洗濯ほも、電線、およびその他の安全な遊技を妨げるおそれのあるものがあってはなりません。
- 歩道や通路の方向にプレイセットを設置してはなりません。
- 地表は水平であること。プレイセットを斜面に設置すると傾いたり、壊れたりする原因となります。この傾きは、すべての接合部に応力を生じ、その結果、接合がゆるみ、破損する原因となります。
- コンクリート、砂利、アスファルト、固めた土、またはその他の硬い面にプレイセットを設置してはなりません。硬い表面の上に落ちると重大なけがとなるからです。
- 以下は推奨するグラウンドカバーです。

推奨する材料

推奨する材料	固められていない層の最小深さ
二重にシュレッドされた樹皮	50 cm
均一な木材チップ	50 cm
細かい砂利	50 cm
細かい砂	50 cm
草	

- 安全遊技区域にグラウンドカバーを敷きつめます。グラウンドカバーを囲むために使うエッジ(造園用またはその他のエッジ)は安全区域の外側になければなりません。

安全な据付

- 安全遊技区域からじゃまものが取り除かれ、プレイセットが完全に据付けられ、すべてのハードウェアが締め付けられ、かつチェックされ、そしてすべての工具などが遊技区域から拾い集められるまで、お子さまを遊技区らせないようにしてください。
- このプレイセットを作っているあいだは、ボルトやねじを締める前に、ビームやフレームまたはその他のアセンブリを支持しているために、少なくとも2人の大人が必要です。
- すべてのパーツをチェックし、手の届く範囲内にきちんとグループごとに並べます。パーツをパーツリストと照合します。
- 鋸引き、穴明き、研磨、ステイン作業またはプレイセットの組立、特に加圧処理された木材を取扱う作業には適切な作業服と安全具(例えば、安全眼鏡、ダストマスクおよび手袋)を着用してください。
- 工具や器具の使用においては、それらのメーカーの安全指示に従ってください。
- プレイセットが完全に組立てられるまでは、プラットフォームに立ってはいけません。高いところに手が届かないときは、はしごを使用してください。
- プレイセットがひっくり返ったり、動いたりしないように、しっかりとアンカーしなくてはなりません。杭が簡単に抜けてしまうような土の状態にある場合は、セメントを打つ必要があります。子供たちがつまづくことのないように、グラウンドアンカーは地面から突き出ているではありません。
- 組立後、必ずボルトやその他の締結具の突出部分をメタルソーで切断してください。シャープなエッジにやすりをかけてください。
- 木部にさざくれが生じないように、サンドペーパーまたはやすりで仕上げてください。
- このジムセットには、ロープ、くさり、丸いひもなど、余計なものを取り付けてはなりません。
- ジャングルジム製品に他の製品を組合せると安全性が低下するので、お止めください。
- ジャングルジムのスイングフックとジャングルジムスイングロープの組合せには、Rope Locks™(ロープロック)をご使用ください。山登りや物を引っ張るといったような他の目的のために、ロープロックを使用してはなりません。
- スイングフックLSのねじは木材に完全にねじ込み、クロスビームにしっかりと締め付けてください。スイングフックを適切な場所に合わせることも重要です。スイングフックを不適切に取り付けたり、場所が合っていないと、折れたり、抜けたりして、けがの原因となります！
- スイングフックアクセサリ(例えば、スイングシート)と地面との距離は少なくとも35 cmは必要です。
- アクセサリとフレームの間の距離は少なくとも30 cmが必要ですが。
- スイングフック間の距離は45 cmです。
- スイングアクセサリ間の距離は45 cmです。
- クライミングロープまたはロープラダー(なわばしご)は、必ず上下で固定してください。さもないと自由に垂れているロープがぶをつくり、輪を構成して子供が絡まってしまふ危険があります。

検査とメンテナンス

プレイセットの使用者の安全を確実にするために、プレイセットは各シーズンの始めに、また使用シーズン中、月に2回ずつ、下記の安全検査を実施しなければなりません。(36)

木材部品

- 木材の裂けやその他の欠陥の有無の点検
- 木の腐食を防止するため、木材の外表面に定期的に防腐剤を塗布してセットを維持します。表面が滑りやすくする塗料を塗ってはなりません。

ハードウェア

- 金属部品がよく締まっていることを確認します。ただし、締めすぎると木材の繊維が潰れて、板に裂け目を生じるので注意しなければなりません。
- 他の金属部品、プラケットおよびスイングフックに錆が出ていないか点検します。錆は強度に影響を及ぼします。必要に応じて交換します。
- グラウンドアンカーにゆるみがないか点検します。必要に応じて、位置を変えたり交換します。

アクセサリ(該当する場合)

- ロープロックがジャングルジムスイングフックに適正に取り付けられていることを点検します。ロープロックHCを点検するには、数秒間、全身の重みをかけて各々のスイングロープにぶら下がります。ロープロックSCの点検には、数秒間、全身の重さをかけてそのアクセサリに座ります。必要に応じて交換してください。もしキーキーときしむ場合は、水またはオリブ油のような植物油でロープロックHCを濡らせます。
- スイングシートやバーがしっかりとしているか、スイングロープにほつれが出たり、繊維がほぐれていないかチェックします。ロープの安全性を確実に判定するには、ほつれが生じているところを空けて、繊維が切れていないかしっかりと調べます。ベイベーリングの安全ベルトを点検します。必要に応じて交換します。
- すべり台のプラットフォームへの取付部に隙間がないことを点検します。隙間があるとフードつきのジャケットのひもなどが引っかかって、子供に危険なことがあります。
- アクセサリはすべて、温水と弱性の洗剤できれいになります。ひどく汚れてしまったすべり台は、高圧水クリーナーで洗浄することができます。(すべり台の表面や木材を傷つけないように注意すること)

表面と直接的に危険な環境

- 衝撃吸収面が圧縮されすぎているか点検し、必要に応じて、柔らかさを取り戻します。スイングシートの下に穴があれば埋めます。
- プレイシートの安定性をチェックします。
- 垂れ下がっている木の枝、洗濯ほも、じゃまものなど直接的に危険な環境を点検します。

環境保護

プレイセットに使用した木材を廃棄する場合は、燃やしてはなりません。また、危険物とならかねない金属部品を取り外します。加圧処理、ステインまたは塗装した木材は、環境汚染の元となり得るので、自分で処理してはなりません。必ず地元の処理場へ運んでください。

安全な遊び方

注意:

- 子供たちの年齢にかかわらず、常に成人の監視が必要です。
- 安全な遊び方を子供たちに教えてください。
- 子供たちには適切な衣服を着用させます。アクセサリ、ひも付きの衣服、体にびったり合わない衣服、および首のまわりに器具に引っかかって締まるような紐のある衣服の着用は避けてください。プレイグラウンド用具を遊ぶ際には、バイクヘルメットは外してやりませ。
- 最後に、危険を招きかねない遊び方は避けるよう常識を働かせてください。
- ジャングルジム製品は特に断りのない場合、3-10歳のお子さま用に設計されています。

安全な遊び方(11.01)

- 表面が滑りやすくなる雨降りの日や、乾かしぬる日や非常に硬い表面になる霜の多い季節はこの器具を使用しないでください。気温が0℃以下になったら、アクセサリを取り外して室内に移してください。
- この器具またはアクセサリを本来の使用目的以外の目的に使用すると、器具の破損またはけがの発生を招きます。ブランコ、チェーン、ロープまたはその他のアクセサリをねじったり、巻きつけたりしてはなりません。ねじるとはアクセサリの強度を弱めたり、子供に絡まってしまふ危険性があります。
- 次のことをしないように子供を指導します:
 - ブランコが動いているときに飛び降りないこと
 - 空のブランコのシートやその他の空のアクセサリをゆらせないこと
 - ななめにゆらせないこと
 - ジムセットのどの部分においてもさかさまにぶら下からないこと
 - 動いている器具の上の子供を掴んだり止めないこと
 - 動いているアクセサリの近く、前方、中間または後方を歩かないこと
- ブランコのシートには、中央に子供の全体重が掛るように座らせます。シートは同時に1人しか乗せないこと。標準タワ:50 kg以下の体重の子供が3人までプレイセット上で遊ぶことができます。ブランコと組み合わせた標準タワ:50 kg以下の体重の子供が5人までセット上で遊ぶことができます。
- プレイセットのフレームにより登ったり、それにぶら下がることは禁止しなければなりません。さもないと、落下によって重大なけがを生じることがあります。
- 遊び場には、他の構造物やじゃま物があるではありません。
- プラットフォームの穴は事故の原因となります。ハンドル、安全バーおよびフェンスボードなどの安全機能をもちたせることにより、危険性は大幅に減少します。
- 子供をすべり台で滑らせる場合は、必ず座らせて滑らせませす。すべり台は強い直射日光に長いこと曝さないでください。長い間直射日光に曝すと部品がかなり熱くなります。子供を座らせる前に、プレイセットが熱すぎないように注意します。必要に応じて、プレイセットを水で冷やし、十分に乾かしてから使用します。あそびのために、すべり台を水でわざと濡らすことは止めてください。

必要な工具(11.2)

- 巻尺、2. 鉛筆、3. ハックソー、4. 木材やすりと鉄やすり、5. 電気ドリル、6. ハンマー
- レベル器

標準のボルト結合(11.3)

- 締結すべき部品にφ10 mmの穴をあけます。
- ハンマーで溶接ナットの胴部をたたいて穴を打ち込みます。溶接ナットの突出している胴部は、木材に沈み込ませなければなりません。
- ボルトのシャンクにワッシャをはめ、次にプラットフォームをはめ、ボルトキャップの底部を入れます。始めは指先でボルトを締め、固くなったら13 mmのソケットを電機ドリルに取り付けて、ボルトの頭とプラットフォームの間でロックワッシャがバネ力に抗して圧縮されるまで締め付

けます。ボルト保護キャブの頭を閉じます。

- ボルトが短すぎる場合は、もっとも厚い部分の木材をφ22 mmドリルを使って深さ15 mmぐらいまで穴の上部を穴ぐりして、組付け後ボルトが沈み込むようにします。穴はステイン処理します。ボルトの頭が沈んだので、この場合はボルト保護キャブは不要です。
- もし、ボルトが長すぎるようでしたら、メタルソーで端部を切り落とすことが必要です。鋭いエッジはやすりで落としてください。

下孔(11.4A, 4B)

木材が割れるのを防ぐために、すべてのねじには下孔をドリル加工しておくことをお勧めします。下孔の深さはねじの長さより10 mm浅くします。

木ねじ(11.4A)

- 木ねじ用にはφ3 mmの下孔をあけます。
- すべてのねじの頭が木材の面と同一面にあり、鋭いエッジが露出していないことが非常に重要です。

XL Stealth™ ラグねじ(11.4B)

- XL Stealth™ ラグねじには、結合する2つの部分双方にφ5 mmの孔をあけます。
- プラットフォームとボルトキャップの底部をねじのシャンクに通します。ねじを穴に通し、T 40のソケットを電気ドリルに取り付けて締め付けます。ボルト保護キャブの上部を閉じます。

注意: ボルトやねじを締めすぎないこと

ハードウッドを使用する場合は、木材の硬さに応じて下孔の直径を大きくする必要があります。

040_805_GSI_0100_20071018_NIA

SIKKERHETSINSTRUKSJONER

Gratulerer med din anskaffelse av Jungle Gym® lekeapparat. Med dette "gjord det selv" settet, kan du enkelt og raskt bygge et sikkert stativ som vil bli meget populært hos dine barn i mange år fremover.

Jungle Gym® sett inneholder spesielt utviklet beslag og festemateriell. Alle delene er designet med stor omtanke på barns sikkerhet. Det er ingen skarpe kanter eller utstikkende deler. Materialene er sikre uansett vær og temperatur. Alle delene i settet er produsert og godkjent i henhold til EN 71-1, -2, -3, -8 & -9 (ESS - European Safety Standard) for privat bruk, under forutsetning av at lekeapparatet monteres, og brukes i henhold til monteringsanvisningen. Ikke foreta avvik fra monteringsanvisningen, eller forsøk å endre design.

Advarsler. Kun for privat bruk. Kun for bruk utendørs. Maksimumsvekt for brukeren er 50 kg. Ikke egnet for barn under tre år. Egnet for barn fra tre til ti år.

Dette produktet er hensiktsmessig å bruke for enkelthusstander. All offentlig bruk av dette apparatet betegnes som misbruk.

Les nøye gjennom manualen før du starter monteringen. Ta vare på disse instruksjonene for eventuell bruk i fremtiden.

SIKKERHETSINSTRUKSJONER

Tommer

- Spesielt viktig er det for trykkimpregnert trevirke at det behandles med olje der hvor det er boret eller saget. Deler som er i direkte kontakt med bakken, bør også behandles ekstra godt med olje.
- Alle hus og fresepor som er foretatt i trevirke må behandles med impregnering, for ikke å svekke kvaliteten på trevirket.

Trygt lekeområde

- Plasser lekesett på en fast dekke jevn overflate, for eksempel gress eller et solid lag av sand. Monter ikke stativet på hardt underlag (betong, asfalt m.m.) da et fall på dette underlaget kan forårsake store skader.
- Grunnen hvor apparatet skal stå bør være plant. Hvis apparatet monteres på ujevnt underlag kan dette forårsake bevegelse i apparatet, og over tid forringe kvaliteten og sikkerheten.
- Et trygt lekeområde betyr at det skal være en sikkerhetssone på 200 cm rundt hele lekeapparatet. Fyll den støtdempende beskyttelsen i hele sikkerhetssonen. Dersom det er nødvendig, installer en egen støtdempende beskyttelse på bakken som for eksempel:

dobbelt oppskjært fuktig bark	dybde på 50 cm
treflis	dybde på 50 cm
fin sand	dybde 50 cm
fin grus	dybde 50 cm
gress	

- I sikkerhetssonen må det ikke være steiner, gjenstander, gjerder, garasje, hus, overhengende grener fra trær, klessnorer, elektriske ledninger eller andre ting som kan gjøre det farlig å bruke lekeapparatet.
- Stativet bør heller ikke monteres i nærheten av gangvei og lignende.
- Eventuelle fysiske avgrensninger for å holde sand etc. på plass, eller gjerder rundt lekeplassen, må monteres på sikker avstand fra lekeapparat, slik at disse ikke kommer i konflikt, og kan skape farlige situasjoner for barna under lek.

Sikker montering

- Barn bør holde seg borte fra plassen til stativet er ferdig montert og alle løse deler er ryddet bort.
- Det kreves minst to personer for å bygge stativet. Det tar ca 1 time å montere et huskestativ, og ca 4 timer å montere et klatretårn.
- Kontroller alle delene, og se at det er riktig antall i henhold til anvisningen.
- Benytt hensiktsmessige klær og sikkerhetsutstyr (arbeids-briller, støvmaske og hansker), når du sager, driller, maler eller monterer stativet, spesielt viktig hvis du arbeider med trykkimpregnerte materialer.
- Følg produsentens sikkerhetsanbefalinger for verktøy og utstyr.
- Ikke stå på plattformen for apparatet er komplett ferdigmontert. Bruk stige hvis du ikke rekker høyt nok.
- Stativet må forankres forskriftsmessig til bakken for å unngå at det beveger seg under lek. Benytt Jungle Gym® Forankringsbolter for å unngå dette. Hvis grunnen er myk, bør forankring stopes i bakken. Påse at forankring ikke stikker over bakken, slik at barna ikke kan skade seg på dem.
- Etter montering, bør en metallsg (baufil) benyttes for å kutte bort utstikkende deler fra bolter og annet festemateriell.
- Benytt sandpapir eller annet slipemateriale for å fjerne splinter, eller ujevne kanter i trevirket. Puss også endestokker og andre skarpe kanter bort fra trevirket.
- Ikke fest annet tilbehør til stativet som for eksempel kjetting, wire. Benytt heller ikke utstyr fra andre merker enn Jungle Gym på stativet, da dette kan forringe sikkerheten.
- Kombiner ikke produkter fra andre produsenter med Jungle Gym® produkter, da dette vil kunne minke sikkerheten.
- Ved evt. Montering av andre tau eller lignende, bør Jungle Gym® Taulås benyttes, sammen med Jungle Gym® Swing Hook.
- Huske-tauet på huske-kroken (Swing Hook LS) må skrues helt inn i trevirket, slik at det kommer helt inn til tverrbjelken
- Avstanden fra huske (eller tilsvarende bevegelige apparater), og ned til underlaget bør være min. 35 cm.
- Avstanden mellom huske og til ramme bør være min. 30 cm.
- Avstanden mellom huske-kroken skal være 45 cm.
- Avstanden mellom huskene/gyngene skal være 45 cm.
- Et klatretau bør sikres (festes) i begge ender, for å unngå at barn klemmes eller kveles i tauet.

INSPEKSJON OG VEDLIKEHOLD

For å ivareta sikkerheten på lekeapparatet, må apparatet ha ettersyn i begynnelsen av hver brukssesong, og 2 ganger pr. måned under sesongen. Hvis vedlikeholdet ikke utføres regelmessig, kan leketøyet velte eller på annen måte utgjøre en fare.

Trevirke

- Sjekk for splinter eller potensielle svakheter i trevirket.
- Ivareta trevirket med oljeimpregnering eller liknende for å unngå råte og/eller uttørring. Benytt ikke blank maling som gir glatt overflate.

Beslag og festemateriell

- Kontroller at alle bolter og skruer sitter godt fast. (NB! Dersom bolter og lignende strammes for hardt kan dette forårsake at trevirket splintres.
- Kontroller at det ikke forekommer rust på noe av festemateriellet. Bytt hvis nødvendig.
- Kontroller at festene i bakken sitter godt – slik at de ikke kan løse. Hvis de er løse, må du flytte festene i bakken, eller lage nye fester.

Tilbehør

- Sjekk taulåser, at disse sitter forskriftsmessig fast. Heng med full kroppsvekt i tauene for å kontrollere at tauene ikke sklir ut av feste. Heng opp nye tau dersom de gamle er slitt. Hvis taulåsene knirker, kan de fuktes med vann eller vegetabilisk olje, som f.eks. olivenolje.
- Sjekk huskeseter og bjelker for helhet og sjekk husketau for slitasje i fibrene. For å gi god bedømmelse på kvaliteten til tauet, sjekk sikkerhetsbeltet på baby-husken. Erstatt ved behov.
- Kontroller festet for rutsjebanen, at denne ikke har sprekker eller gliper, som kan forårsake at barna kan henge seg fast med tøy, seler etc.
- Alle artikler kan rengjøres med varmt vann, og eventuell en mild såpe og svamp kan benyttes. Dersom noen av artiklene er spesielt skitne, kan høytrykksspyler benyttes.

Trygt lekeområde

- Påse at underlaget ikke er hardpakket. Dette bør løses opp. Spesielt under huskene er det vanlig at det dannes seg "groper". Disse bør fylles igjen med støtdempende materiale.
- Kontroller stativets stabilitet.
- Kontroller omgivelsene for overhengende grener, tørketau m.m.

Miljøvern

Brenn ikke resterende trevirke på stedet. Det er spesielt miljøfarlig og ulovlig å brenne behandlet trevirke, da spesielt tryk-impregnert trevirke. Impregnert avfall bør leveres til nærmeste avfallsdepot.

SIKKER LEK

NB

- Stativet må overvåkes av voksen person under bruk.
- Lær barna å leke sikkert
- Jungle-Gym er konstruert for barn i alderen 3-10 år, med mindre annet er indikert.
- Påse at barna er kledd hensiktsmessig. Strikk og løse artikler kan feste seg i apparatet og forårsake skade.
- Sist men ikke minst; bruk sunn fornuft, og påse at barna ikke blir utsatt for farlige situasjoner.

Sikker lek (ill 1)

- Apparatet bør ikke benyttes i fuktig vær eller frost, da det kan forekomme glatte overflater på stativet. T.o.m. det mykeste underlaget kan bli hardt når det er kaldt. Stativets tilbehør bør demonteres og tas innendørs ved temperaturer under 0 gr. C.
- Benytt ikke apparatets tilbehør til annet enn hva det er beregnet for. Delene kan skades, og defekte deler kan forårsake skader. Ikke vri eller bøy husker, kjettinger, tau eller annet tilbehør. Slik behandling kan forårsake redusert kvalitet på tilbehøret, og forårsake skader.
- Barn bør ikke:
 - hoppe av husker i bevegelse.
 - Huske tomme husker eller andre huske-artikler
 - Huske utenom normalvinkel.
 - Henge opp/ned fra stativet.
 - Gripe eller stoppe andre barn som er i bevegelse i apparatet.
 - Være foran eller bak artikler som er i bevegelse.
- Oppfordre barna til å sitte midt på huskesetet, med full vekt på setet. Det bør ikke være mer enn et barn på hvert sete, klatretau, eller taustige av gangen. På et klatrestativ bør det ikke være mer enn 3 barn av gangen, med totalvekt på max. 50 kg. hver. Et klatrestativ med tilleggsmontert huskestativ bør ikke benyttes av mer enn 5 barn med maksvekt på 50 kg., samtidig.
- Barn bør ikke klatre eller henge fra stativets bærekonstruksjon (ramme), da barna kan skade seg ved fall.
- Lekeområdet må være fritt for alle slags gjenstander og hin-dringer.
- Hvert usikrede (åpne) steder på et klatrestativ øker risikoen for skade. Sikkerheten reduseres ved å montere håndtak, gelender m.m.
- Ikke tillatt barna å benytte rutsjebanen i annet enn sittende stilling. Unngå at rutsjebanen utsettes for sterkt sollys, da denne kan oppvarmes og barn kan brenne seg. Påse at denne ikke er overopphetet for bruk. Hvis nødvendig kan rutsjebanen kjøles ned med vann. Tork stativet for bruk.

Nødvendig verktøy (ill. 2)

- Målbånd, 2. Blyant, 3. Stikksag, 4. Tre og metall fil
- Elektrisk drill (evt. Kraftig batteridril), 6. Hammer, 7. Vater

Standard bolt-koblinger (ill. 3)

- Bor et hull med ø 10 mm i de delene som skal festes.
- Slå gjengestykket (mottaksmutteren) inn i trevirket.
- Tre sprengskiven på bolten, og deretter, bolthetten, og til sist sokkelen for boltdkselet. Begynn å dra til bolten inn i mottaks-mutteren for hånd, og fortsett med en 13 mm fastskelbitset i din elektriske drill for å dra til hver bolt, helt til sprengskiven er fullstendig presset mellom hodet på bolten og planskiven. Lukk beskyttelseshetten på bolten med hetten.
- Hvis det viser seg at bolten er for kort, anbefaler vi å bore i motsatt retning i den øverste delen av hullet i den tykkeste de-len av trevirket, med et bor på ø22 mm, til en dybde på 15 mm eller mer, slik at bolten vil synke inn etter monteringen. Mal over det hullet som oppstår. Ettersom bolten nå er freset inn trenger du ikke bruke bolt-beskyttelseshetten.
- Hvil bolten er for lang, er det nødvendig å fjerne utstikker med en metallsg. Hvis det dannes skarpe Utstikkere benytt metall-fil for å fjerne dette.

Forbore (ill 4a+4b)

For å unngå at trevirket skal sprekke, forbore før montering. Du bør ikke forbore mer enn 10 mm kortere enn skruens lengde, for å sikre at skruen får tak i trevirket.

Treskruer (ill. 4a)

- Bor ø3 mm pilot-hull for treskruer.
- Det er svært viktig å kontrollere at toppen på alle skruer går jevnt med overflaten på trevirket, slik at det ikke er noen skarpe kanter som stikker fram.

XL Stealth™ gjennomgående skruer (ill. 4b)

- For XL Stealth™ gjennomgående skruer må du først bore et hull ø5 mm gjennom boltene som skal festes.
- Tre planskiven og sokkelen for boltdkselet på bolten. Plasser skruen i hullet, og skru med T40 fastnøkkelbitset i din elektriske drill for å dra til. Lukk beskyttelseshetten på bolten med toppen.

Viktig: Ikke dra til boltene og skruene for hardt!

Hvis du burker hardtre, anbefaler vi å forbore med tykkere diameter, avhengig av tettheten (hardheten) på trevirket.

040_805_GSI_no_0100_20101018_nIA

INSTRUÇÕES DE SEGURANÇA

Parabéns pela compra do kit Jungle Gym®. Com a compra deste kit Jungle Gym® você estará em condições de construir um parque infantil seguro em pouco tempo: uma garantia de prazer e alegria para seus filhos durante muitos anos.

Os kits Jungle Gym® contém ferragens especiais desenvolvidas especialmente para este uso. Este material foi desenvolvido, tendo como primeira prioridade dar segurança à suas crianças.

As ferragens não têm partes pontiagudas e estão protegidas de qualquer intempérie. Todas as peças no kit seguem as normas EN 71-1,-2,-3,-8 & -9 (Padrão de Segurança da Comunidade Europeia), para uso privado, nas condições que o playground é montado e usado apropriadamente seguindo o manual de instruções. Siga corretamente as instruções e não altere o desenho.

Avisos. Apenas para uso doméstico. Apenas para uso no exterior. O peso máximo do utilizador é de 50 Kg. Contraindicado para crianças com menos de 3 anos. Adequado para crianças entre os três e os dez anos de idade.

Este produto é para uso residencial e familiar. Instalações públicas ou de domínio público são locais que se usados significa um mau uso de nosso produto.

Leia cuidadosamente estas instruções de montagem antes de iniciar a mesma. Guarde as instruções de montagem para possível uso futuro.

INSTRUÇÕES DE SEGURANÇA

Madeira

- Se comprar madeira não tratada, passe produto para proteger da umidade e preste atenção às partes que ficam em baixo da terra. Preste atenção especial nas partes que estarão em contato com o chão.
- Em todas as partes serradas e furadas, passe um selador para proteger melhor, mesmo no caso de usar madeira tratada.
- Passe selador nos furos feitos nas madeiras, inclusive nos para a escada de corda e nos para a corda de alpinista.

A área de segurança

- Coloque o playset sobre uma superfície firme não asfaltado, como grama ou uma camada sólida de areia. Não instale seu parque infantil sobre cimento, asfalto ou qualquer outro piso duro.
- A zona de implantação do seu parque infantil deve estar nivelada. Instalar o seu parque infantil sob uma superfície desnivelada pode fazer com que este se incline, provocando uma tensão adicional em todas as conexões e junções que com o tempo provocarão fadiga adicional no material que farão com que estas fiquem debilitadas podendo vir a ceder.
- A área de segurança do seu parque infantil deverá ter 200 cm além da área que o parque ocupa, devendo ser ajustada em todos os sentidos. Uma queda sobre um piso duro pode resultar em fraturas e/ou contusões. Abaixo indicamos uma lista de pisos recomendados e suas profundidades.

Material sugerido	profundidade
Borracha sintética	50 cm
Gramma natural	50 cm
Areia fina	50 cm
Casca de pinheiro	50 cm
Relva	

- A área do parque infantil deve estar afastada de vedações, cabos elétricos, estendais de roupa, ou elementos sólidos que possam provocar ferimentos numa eventual queda.
- Não situe seu parque infantil perto de zonas de passagem.
- No caso de querer delimitar a área, deve o fazer fora do espaço necessário para brincar, usando barretes ou postes de madeira tratada.

Instalação segura

- Crianças devem estar longe da área de trabalho até que esta esteja limpa, sem obstáculos, e com o parque infantil devidamente montado, isto é, após todos os apertos das ferragens tenham sido devidamente verificados e todas as ferramentas e outros utensílios tenham sido retirados da área de brincar.
- Quando construir este parque infantil, são necessárias duas pessoas para erguer e segurar as madeiras aquando da montagem, furação e colocação de parafusos.
- Verifique todas as peças e agrupe-as de forma sistemática dentro de seu alcance. Compare as mesmas com a lista de peças.
- Use roupa apropriada e equipamento de segurança (i.e., óculos de segurança, máscara contra pó e luvas apropriadas) quando for serrar, furar, lixar, pintar ou montar o brinquedo, especialmente quando trabalhando com madeira tratada.
- Siga as instruções de segurança dos fabricantes com respeito às recomendações para o uso de ferramentas e equipamento.
- Não utilize a plataforma do parque infantil até que este esteja devidamente montado, usando uma escada se verificar que não consegue aceder às zonas mais altas.
- O conjunto montado deve estar bem ancorado no piso para evitar girar ou tombarem. Dependendo do solo, deverá ser cimentado. A ancoragem deve ser abaixo do nível do solo para que as crianças não corram o risco de se machucarem com a mesma.
- Após montar, não esqueça de serrar todas as sobras de parafusos e aparar as rebarbas com lima apropriada para metal.
- Para evitar rebarbas na madeira, use lixa de papel, lima ou grossa num raio de 3 mm.
- Não adicione itens extras a este conjunto de brinquedo, como cordas, correntes e outros itens.
- Não combine produto de outros fabricantes com os de Jungle Gym porque pode diminuir a segurança.
- Use somente RopeLocks em combinação com os ganchos da Jungle Gym®. Não use RopeLocks para outros fins.
- A linha do parafuso do gancho LS do balanço deve ser parafusada na madeira inteiramente e firmemente de encontro ao eixo transversal. É importante alinhar o gancho do balanço na posição apropriada. Um gancho impropriamente instalado ou desalinhado do balanço pôde quebrar ou saltar e podendo causar ferimentos ao utilizador

- Em relação à distância entre os balaioços, no caso do kit swing, a distância entre os assentos das balaioços, deve ser de 35 cm no mínimo.
- A distância mínima entre as ferragens de montagem do swing e do assento da balança, é de 30cm.
- A distância entre os ganchos do balaioço e os acessórios deve ser 45 cm
- A corda e a escada de escalar devem ser sempre fixas, tanto no topo como no chão, porque uma corda livre pode se entrelaçar, fazer um nó e a ficar amarrada na criança, podendo provocar ferimentos.

MANUTENÇÃO E INSPEÇÃO

Para garantir a segurança dos usuários do parque infantil, o mesmo deve estar sujeito à inspeção de segurança mencionadas abaixo, sempre no início de cada estação (primavera, verão,...) e posteriormente duas vezes ao mês durante a estação de maior uso. Se as verificações de manutenção não forem realizadas regularmente, o brinquedo pode virar-se o tornar-se um perigo.

Componentes de madeira

- Inspeccionar possíveis defeitos na madeira, podridão, ataque de fungos ou insetos, deformações e eventuais rebarbas.
- Manter o conjunto em bom estado, aplicando acabamentos para uso exterior para prevenir contra intempéries, nomeadamente velaturas de exterior. Não use tinta que possa causar superfície escorregadia.

Ferragens

- Verifique se todas as partes metálicas estão bem apertadas. Cuidado: ferragem muito apertada penetra na fibra da madeira e pode partir a peça em dois. Verifique se as outras ferragens e acessórios estão com ferrugem o que poderia afectar o seu desempenho. Em caso de verificar algum problema, troque a peça.
- Verifique as âncoras do solo para ser certo que estão fixas. Se necessário, reposicione ou substitua. Verifique a estabilidade do aparelho, provocando força no sentido lateral, se o aparelho oscilar ou apresentar deslocamentos laterais, terá que, rever a ancoragem e as ligações entre as peças.

Acessórios

- Verifique se os RopeLocks estão devidamente instalados nos ganchos Jungle Gym®. Para testá-los pendure-se com seu peso durante alguns segundos em cada uma das cordas, individualmente. Substitua quando necessário. Se a corda fizer barulho ao ser esticada, pode ser molhada com água ou óleo vegetal.
- Para ter um melhor julgamento da qualidade de cada corda, abra e verifique se algum filamento está cortado. Se necessário, troque a corda.
- Verifique a integridade dos assentos dos balaioços e das barras.
- Verifique se a fixação do escorrega está em bom estado.
- Todos os acessórios podem ser lavados com água quente e detergente. No caso dos escorregas, se estiverem muito sujos podem ser lavados com máquinas de água de pressão, mas com cuidado para não danificar a superfície escorregadia do mesmo.

A área de segurança

- Verifique se a superfície de absorção de choques não está muito comprimida. Caso necessário faça alguns furos. (Por exemplo em baixo das balaioços). Geral
- Verifique sempre a estabilidade do conjunto.
- Verifique o ambiente para ver se há o perigo de contacto directo com ramos de árvores, estendais de roupa ou materiais indevidamente colocados na área do parque infantil.

BRINCAR COM SEGURANÇA

Atenção:

- Deverá haver sempre a supervisão de um adulto durante o uso do parque infantil por crianças em qualquer idade.
- Ensinem as crianças a brincar de maneira segura. Vistam as crianças apropriadamente. Evitem roupas com acessórios metálicos que poderiam danificar o equipamento e ao mesmo tempo ferir a criança, ou alças ou acessórios de vestuário que se possam prender.
- E por último, use bom senso para evitar situações inseguras.
- Os produtos Jungle Gym® foram desenvolvidos para o uso de crianças entre três e dez anos de idade, salvo indicação contrária.

Brincar com segurança (fig. 1)

1. O equipamento não deve ser usado em tempo chuvoso e húmido, devido ao aumento de potencialidade de deslizamento da superfície. Os acessórios devem ser removidos e colocados em local protegido quando as temperaturas estiverem menores que 0 ou superiores a 50 graus.
2. Usar o parque infantil ou acessório de qualquer maneira diferente da pré-estabelecida poderá vir a danificá-lo. Não torça ou amarre os balaioços, correntes, cordas ou qualquer outro acessório.
3. Cuidado para que as crianças não:
 - Saltem fora dos balaioços quando estes estiverem em movimento
 - empurrem os balaioços ou qualquer outro equipamento vazio
 - empurrem os balaioços em qualquer ângulo
 - se pendurem de cabeça para baixo
 - segurem ou parem a outra criança quando o equipamento estiver em movimento
 - fiquem muito perto, em frente, atrás ou entre acessórios em movimento
4. Cuidar para que as crianças se sentem no centro do balaioço com todo o peso sobre o assento. Somente uma criança por assento de balança deve ser permitida. A torre padrão permite no máximo três crianças por vez com no máximo 50 kg cada. A torre padrão em combinação com os balaioços, permite no máximo cinco crianças brincarem no parque infantil ao mesmo tempo, desde que o peso de cada uma não exceda os 50 kg.
5. Não deve permitir que se pendurem nas madeiras de sustentação do parque. Quedas podem causar sérias fracturas e contusões.

6. A área do parque deve estar livre de eventuais obstáculos.
7. Cada área aberta na plataforma aumenta o risco de possíveis acidentes. O risco pode ser significativamente reduzido colocando-se acessórios como puxadores, barras de segurança ou cercas de madeira.
8. Não permita que as crianças se coloquem por baixo do escorrega. A zona de deslizamento pode em determinadas condições ficar excessivamente quente, deve verificar a temperatura destes amentos antes de permitir que as crianças os usem. Se necessário pode e diminuir a temperatura jogando água fria sobre os mesmos. Seque tudo antes de ser usado. Não deve utilizar água nos equipamentos com intuito de aumentar a velocidade de deslizamento. O facto de as crianças escorregarem muito rápido poderá causar contusões.

Ferramentas requeridas (fig. 2)

1. Serrote, 2. Lápis, 3. Fita métrica, 4. Lima e grossa, 5. Berbequim eléctrico, 6. Martelo, 7. Nível de água

Conexões e parafusos padrões (fig. 3)

- Faça um furo de 10 mm nas partes indicadas na figura.
- Utilize um martelo para ajudar a colocar o parafuso. A madeira deve ser escaçada para que a cabeça do parafuso fique dentro da madeira.
- Coloque a porca roscada do lado de fora da madeira e do outro lado coloque a parte de baixo do protetor de parafuso, a arruela maior, a arruela menor, o parafuso e, em seguida, feche com a capa do protetor do parafuso. Inicie manualmente a fixar o parafuso na porca roscada antes de utilizar sua parafusadeira elétrica.
- Se o parafuso ficar muito curto, faça um furo de 22 mm na parte mais grossa da madeira a uma profundidade de 15 mm ou mais para que o parafuso fique embutido na madeira. Neste caso não é necessário colocar o protetor de parafusos.
- Se o parafuso ficar muito longo, é necessário remover a sobra com uma serra de metal. Recomenda-se o uso de lima para tirar farpas na parte cortada.

Furo guia (fig. 4a-b)

Para prevenir que a madeira venha a rachar, deve-se efetuar um furo guia. Normalmente o furo guia é 10 mm mais curto do que o parafuso.

Parafusos de madeira (fig. 4a)

- Faça um furo guia de 3 mm para os parafusos de madeira.
- É importante se certificar que a parte superior da cabeça do parafuso esteja totalmente paralela à madeira, não deixando nenhuma ponta fora da madeira.

XL Stealth™ arafusos lag (fig. 4b)

- Para o caso de um XL Stealth™ parafuso LAG, faça um furo de 5 mm nas duas partes.
- Coloque a parte de baixo do protetor de parafuso, a arruela maior, a arruela menor, o parafuso e, em seguida, feche com a capa do protetor do parafuso.

ATENÇÃO: Não aperte em demasia os parafusos!

Quando estiver utilizando uma madeira mais dura é necessário fazer furos guia com um diâmetro maior, dependendo da densidade da madeira.

040_805_GSI_pt_0300_20120911_n1A

ИНСТРУКЦИЯ ПО БЕЗОПАСНОСТИ

Поздравляем с покупкой продукции Jungle Gym®. Данный сборочный комплект Jungle Gym® позволит Вам создать у себя во дворе безопасный игровой комплекс, который будет радовать Ваших детей многие годы.

Вся продукция «Джангл Джим» разработана в соответствии с EN 71-1,-2,-3,-8 и -9 (Европейский стандарт безопасности игрушек) для частного использования, при условии ее сборки и эксплуатации в соответствии с данным руководством. Следуйте рекомендациям по сборке и не вносите изменений в конструкцию.

Предостережения. Только для домашнего использования. Только для использования вне помещений. Максимальный вес пользователя - 50 кг. Максимальное количество пользователей - 12. Не подходит для детей младше трех лет. Подходит для детей от трех до десяти лет.

Данный продукт предназначен исключительно для частного домашнего использования. Продукт не предназначен для использования в общественных местах, таких как парк, уличная детская площадка или школа.

Перед началом сборки внимательно прочтите данную инструкцию и сохраните ее для последующего использования.

ИНСТРУКЦИЯ ПО БЕЗОПАСНОСТИ

Лесоматериалы

- Качество Вашего игрового комплекса будет в значительной мере зависеть очень от качества выбранной Вами древесины.
- Уделите особое внимание выбору верхней перекладины для (Модуля) Качелей. Для проверки прочности перекладины установите оба ее конца на небольшое возвышение (10 см) и попрыгайте на ней. Если перекладина не ломается и не раскачивается, она пригодна для использования. Небольшой прогиб является нормальным.
- Твердые породы древесины более устойчивы к повреждению насекомыми и древесной гнили, чем мягкая древесина. Мягкая древесина обязательно нуждается в обработке перед использованием на открытом воздухе. Для постройки Вашего игрового комплекса подойдут следующие виды древесины:
- Древесина с естественной устойчивостью против древесной гнили и насекомых, например Лиственница, Робиния, тропические твердолопастные породы, европейские твердолопастные породы, дуб, каштан, красный кедр, калифорнийская осина.
- Древесина прошедшая консервирующую обработку под давлением.

Спросите у своего продавца пиломатериалов о других породах древесины, устойчивых к насекомым и древесной гнили.

- Даже при использовании древесины прошедшей консервирующую обработку под давлением для предотвращения древесной гнили необходимо обработать поверхность распила и концы балоков консервантом для деревянных изделий наружного использования.
- Обратите особое внимание на части, которые соприкасаются с землей.
- Все отверстия для потайных болтов и отверстия для Веревочной лестницы и Каната для лазания необходимо обработать морилкой.

Зона безопасности

- Поместите Playsæt на грунтовой устойчивую поверхность, таких как трава или твердый слой песка. Не устанавливайте игровой комплекс на поверхности из бетона, гравия, асфальта, или любой другой твердой поверхности.
- Поверхность земли должна быть абсолютно ровной; даже небольшой уклон повышает нагрузку на стыки и соединения.
- Зона безопасности обозначает пространство в 200 см со всех сторон игрового комплекса. Ниже приведен перечень рекомендуемых покрытий для зоны безопасности.

Предлагаемый материал

Минимальная глубина без утрамбовки

Мульча из коры двойного измельчения	50 см
Однородная древесная стружка	50 см
Мелкий гравий	50 см
Мелкий песок	50 см
Трава	

- Устраните из зоны безопасности все, на чем можно споткнуться – камни, корни и т.д.
- В зоне безопасности не должно находиться никаких конструкций, заборов, гаражей, домов, свисающих ветвей деревьев, бельевых веревок, электрических проводов и прочих помех.
- Не располагайте Ваш игровой комплекс в направлении проходов и дорожек.
- Любой бордюр, используемый для окантовки наземного покрытия, должен находиться за пределами зоны безопасности. (ландшафтные балки или прочие ограждения).

Безопасность установки

- Дети не должны находиться в рабочей зоне до тех пор, пока зона безопасности не будет освобождена от всех препятствий, игровой комплекс полностью смонтирован, крепления затянуты и проверены, а рабочие инструменты убраны с территории детской площадки.
- Для подъема и установки балоков, рам и тяжелых конструкций необходимо не менее двух взрослых.
- Проверьте все сборочные элементы и сгруппируйте их рядом с местом сборки. Сверьте их со сборочным листом.
- При распилке, сверлении, шлифовании, обработке морилкой и сборке необходимо использовать соответствующую одежду и средства защиты (например, защитные очки, маску от пыли, рукавицы).

- Следуйте рекомендациям производителей по безопасному использованию применяемых Вами инструментов и оборудования.
- Не вставайте на платформу до полного окончания сборки игрового комплекса.
- Не занимайтесь сборкой в плохих погодных условиях.
- Игровой комплекс должен быть надежно закреплен на грунте, чтобы предотвратить его наклон или опрокидывание. При рыхлости почвы, позволяющей легко извлечь опорные столбы из грунта необходимо их цементирование. Убедитесь, что грунтовые анкеры не выступают над поверхностью земли.
- После сборки используйте ножовку по металлу для удаления выступающих резьбовых концов болтов и других крепежных материалов. Обработайте острые края напильником по металлу.
- Для предотвращения заноз обработайте древесину наждачной бумагой. Все углы необходимо обработать наждачной бумагой или напильником по металлу до радиуса в 3 мм.
- Не устанавливайте на «Джангл Джим» дополнительные предметы, таких как канаты, цепи, веревки и прочее.
- Не комбинируйте изделия Jungle Gym® с изделиями других производителей.
- Замки крепления веревок Rope Locks™ следует использовать только в комбинации с крюками для качелей Jungle Gym® Swing Hooks. Крепления веревок Rope Locks™ нельзя использовать для других целей, таких как скалолазание или подъем грузов.
- Резьбовая часть крюков для качелей Swing Hook LS должна быть полностью вкручена в дерево. Важно также, чтобы крюки Swing Hook были симметрично установлены в соответствующем положении.
- Расстояние между принадлежностями качелей (например, сиденьем) и землей должно быть не менее 35 см.
- Расстояние между подвижными элементами и несущей конструкции должно быть не менее 30 см.
- Расстояние между крюками Swing Hook должно составлять 45 см.
- Расстояние между подвижными элементами качелей должно составлять 45 см.
- Веревка для лазания Climbing Rope или веревочная лестница Rope Ladder должны быть постоянно закреплены сверху и снизу, поскольку свободно висящая веревка может привести к удушью. Веревки не должны иметь возможности захлестывания в петлю.

ПРОВЕРКА И ОБСЛУЖИВАНИЕ

Для обеспечения безопасности необходимо проводить описанную ниже проверку безопасности игрового комплекса в начале каждого сезона и далее дважды в месяц в течение всего периода сезонного использования. При необходимости отрегулируйте или закрепите соответствующие элементы. Замените элементы комплекса в случае их повреждения. Если проверка технического состояния не будет проводиться регулярно, рабочее состояние игрушки может ухудшаться или становиться опасным.

Деревянные элементы конструкции

- Проверьте наличие отслоений и других возможных повреждений.
- Для предотвращения гнили ухаживайте за деревянными конструкциями, периодически обрабатывая их консервантом для древесины. Не используйте краски или иные покрытия, которые могут сделать поверхность скользкой.

Металлические элементы конструкции

- Проверьте прочность затяжки всех металлических креплений. Внимание: перетянутые крепления разрушают волокна древесины и приводят к ее расслоению.
- Проверьте прочие металлические элементы, кронштейны и петли качелей на наличие ржавчины.
- Проверьте надежность крепления грунтовых анкеров.
- Проверьте все заглушки болтов и острых углов.

Принадлежности (если имеются)

- Проверьте правильность крепления Rope Locks™ на петлях качелей Jungle Gym® Swing Hooks. Для проверки замков крепления веревок Rope Locks HC, повисите несколько секунд всем своим весом на каждой из веревок качелей. Для проверки Rope Locks SC присядьте на деталь на несколько секунд. При возникновении скрипа Rope Locks HC можно смочить водой или растительным маслом, например оливковым.
- Проверьте целостность сиденья и рамы качелей. Проверьте веревки качелей на наличие износа и потерю волокон. Для обследования веревки разверните пряди, в которых обнаружена потертость и проверьте волокна на наличие разрывов. Проверьте ремешок безопасности на качелях для малышей Baby Swing.
- Проверьте плотность прилегания качелей к платформе на наличие щелей, в которых, например, могут застрять детали одежды или шнуры капюшона детской куртки.
- Все принадлежность можно мыть теплой водой с использованием мягкого моющего средства. Сильно загрязненную горку можно мыть моющим устройством высокого давления. Соблюдайте осторожность, чтобы не повредить поверхность желоба горки и деревянные элементы.

Зона безопасности

- Убедитесь, что мягкое ударопоглощающее покрытие под качелями не слишком утрамбовано, при необходимости размять его. Зарывайте образовавшиеся ямки (например, под сиденьями качелей).
- Проверьте устойчивость конструкции игрового комплекса.
- Проверьте зону безопасности на отсутствие нависающих ветвей деревьев, веревок для белья и незакрепленных элементов.

Охрана окружающей среды

- Утилизируйте все металлические элементы без ущерба для природы. Не сжигайте обработанную консервантами или морилкой древесину самостоятельно, вывезите ее на пункт утилизации.

БЕЗОПАСНОСТЬ ИСПОЛЬЗОВАНИЯ

Внимание

- При использовании игровым комплексом дети всех возрастов должны постоянно находиться под присмотром взрослых.
- Обучите детей безопасности при играх.
- Одевайте детей соответствующим образом; избегайте использования аксессуаров и одежды со шнурками, свободной одежды и шнуровки. Не допускается использование велосипедных шлемов.
- Руководствуйтесь здравым смыслом для предотвращения потенциально небезопасных ситуаций.
- Если не указано иное, изделия Jungle Gym® предназначены для детей в возрасте от 3-х до 10 лет.

Безопасное использование (рис. 1)

1. Оборудование нельзя использовать при влажной и морозной погоде. При снижении температуры ниже 0° C принадлежность необходимо перенести в помещение.
2. Не используйте игровой комплекс и принадлежности не по назначению. Не сматывайте и не скручивайте качели, цепи, веревки и прочие принадлежности. Скручивание снижает прочность принадлежностей и может стать причиной несчастного случая.
3. Предупредите детей о том, что НЕЛЬЗЯ:
 - прыгать с качелей, находящихся в движении
 - раскачивать пустые качели и другие предметы
 - качаться на качелях под углом
 - висеть вниз головой на любом элементе игрового комплекса
 - хватать или останавливать другого ребенка на любом движущемся предмете
 - находиться вблизи, перед, между или позади любых движущихся объектов
4. Объясните детям, что качелями нужно пользоваться сидя по центру, всем весом на сиденье. На сиденье может находиться только один ребенок. Стандартная башня: одновременно пользоваться игровым комплексом могут не более 3-х детей, весом не более 50 кг; каждый. Стандартная башня + Дополнительный модуль Add-on Jungle Gym Module: не более 5 детей (макс. 50 кг) каждый.
5. Нельзя забираться на крышу или на верх модуля.
6. Игровое пространство должно быть свободно от любых помех и препятствий.
7. Угроза безопасности существенно снижается при надлежащем использовании прилагаемых элементов безопасности, таких как поручни, перила и ограждения.
8. Не позволяйте детям съезжать с горки иначе как сидя лицом вперед. Избегайте воздействия южного солнца на покрытие горки. Под воздействием яркого солнечного света все элементы комплекса могут сильно нагреваться. Перед тем как допустить детей к игре на комплексе убедитесь, что он не слишком горячий. При необходимости горку можно охладить водой, просушив ее перед использованием. Ни используйте воду с целью увеличения скорости скатывания с горки. Не используйте Модуль Ведра для подъема болта 2,5 кг. Не прикрепляйте к игровому комплексу никаких предметов, не одобренных Jungle Gym, таких как бельевые веревки, электрические приборы, свободно висящие веревки или цепи и т.д.

Необходимые инструменты (рис. 2)

1. Измерительная лента, 2. Карандаш, 3. Ножовка/пила по дереву
4. Напильник по дереву и металлу, 5. Электрическая дрель
6. Молоток, 7. Ривень с водяным бульбашками

Стандартные болтовые соединения (рис. 3)

1. Просверлите в соединяемых элементах отверстия \varnothing 10 мм. Поместите цилиндр сварной гайки в отверстие.
- Наденьте пружинную шайбу на стержень болта, потом наденьте плоскую шайбу и нижнюю часть заглушки болта. Вручную наживите болт в сварную гайку. Потом используйте головку на 13 мм и с помощью электродрели затяните каждый болт до полного сжатия пружинной шайбы между головкой болта и плоской шайбой. Закройте основание болта заглушкой.
- Если болт окажется слишком коротким рассверлите верхнюю часть отверстия в самой широкой части деревянной балки сверлом \varnothing 22 мм. на глубину не более 15 мм. В этом случае после сборки болт окажется утопленным в дерево. Обработайте отверстие морилкой. Поскольку теперь болт будет утоплен, использовать заглушку нет необходимости.
- Если болт оказался слишком длинным отрежьте его выступающую часть ножовкой по металлу. Если остались острые края – обработайте их напильником.

Шурупы (рис. 4а)

1. Просверлите направляющие отверстия \varnothing 3 мм для шурупов. Отверстия должны быть на 10 мм короче длины шурупов. Для твердых пород дерева, возможно, придется сверлить направляющие отверстия большего диаметра, в зависимости от плотности древесины.
- Убедитесь, что головки шурупов не выступают над поверхностью и не имеют острых краев.

Крепления XL Stealth™ (рис. 4б)

- Просверлите направляющее отверстие \varnothing 5 мм через оба элемента.
- Наденьте основание заглушки болта на его стержень. Установите шуруп и используйте инструмент T40 для затяжки. Закройте болт заглушкой.

Внимание: не перетягивайте болты и шурупы!

040_805_GSI_ru_0200_20120911_NA

SÄKERHETSINSTRUKTIONER

Gratulerar till köpet av en gör-det-själv-sats från Jungle Gym®. Med Jungle Gym®-satsen kan du bygga en säker lekplats på kort tid: ett garanterat glädjeförnöje för dina barn under många år.

Jungle Gym®-satserna är speciellt framtagna. Materialet är omsorgsfullt utvecklat med barnens säkerhet för ögonen. Materialet har inga vassa kanter eller delar som sticker fram och det har behandlats för att stå emot väder och vind. Alla delar i satsen uppfyller kraven enligt EN 71-1,-2,-3,-8 & -9 (European Safety Standard) för privat bruk, under förutsättning att lekplatsutrustningen byggs och används enligt instruktionsboken. Följ instruktionsboken och ändra inte på byggkonstruktionerna.

SV

Varning: Endast för hemmabruk. Endast för användning utomhus. Den maximala användarvikten är 50 kg. Inte lämplig för barn under tre år. Lämplig för barn mellan tre och tio år.

Produkten är avsedd endast för privat bruk. Montering för offentligt bruk eller på offentligt plats är ett påtagligt missbruk av produkten.

Läs igenom instruktionerna noggrant innan du börjar bygga. Spara de här bygginstruktionerna för framtida bruk.

SÄKERHETSINSTRUKTIONER

Timmer

- Behandla alla sågytor och ändrar med utomhus lasyr för att förhindra tråröta, även om du använder tryckbehandlat virke.
- Var extra noggrann med delarna som rör vid marken.
- Behandla även alla nersänkta hål och hål för repstegar eller klätterrep med lasyr.

Safe play area

- Placera Playset på en obelagd och stadigt underlag, exempelvis gräs eller ett fast skikt av sand. Bygg inte din lekplats på betong, grus, asfalt jord eller andra hårda ytor.
- Markytan måste vara jämn. Om du bygger lekplatsen på sluttande mark kan den luta och bli ostadig. Lutningen leder till att alla förbindelser och leder utsätts för högre påfrestningar, vilket så småningom kan leda till att de luckras upp och går sönder.
- Säker lektyta refererar till en zon som är mer än 200 cm utanför själva lekställningen på alla sidor. Fall på hårda ytor kan leda till
- svåra skador. Installera marktäckning i den säkra lekzonen. Här följer en lista över marktäckande material som rekommenderas.

Föreslaget material okomprimerat djup

Barkmull	50 cm
Träflisor	50 cm
Fint grus	50 cm
Fin sand	50 cm
Gräs	

- Den säkra lekytan ska vara fri från närmaste byggnad eller hinder, såsom staket, garage, hus, låga grenar, tvättlinor eller elektriska ledningar.
- Placera inte din lekplats i riktning mot trottoarer eller gångar.
- Eventuella kanter runt marktäckning måste ligga utanför det säkra lekområdet. (t.ex. plankor)

Säker installation

- Barn bör inte vistas i byggområdet förrän alla verktyg och annat som används vid byggandet är borttagna och lekplatsen är helt monterad med åtdragna och kontrollerade skruvar och bultar.
- Det krävs minst två personer vid lekplatsbygget för att lyfta och hålla i bjälkar, ställningar och andra tunga tillbehör som ska fästas med bultar eller skruvas fast. Det tar en timme att bygga en gungställning och upp till fyra timmar att bygga ett klättertorn.
- Kontrollera delarna och gruppera dem systematiskt så att du har dem inom räckhåll. Jämför dem med listan över delar.
- Använd rätt kläder och säkerhetsutrustning (t.ex. skyddsglasögon, munskydd och handskar) när du sågar, borrar, slipar, betsar eller sätter ihop lekplatsen - framför allt när du arbetar med tryckbehandlat virke.
- Följ tillverkarens säkerhetsrekommendationer för verktygen och utrustningen du använder.
- Stå inte på plattformen förrän lekplatsen är komplett ihopsatt; använd stege om du inte når högt nog.
- Lekplatsen måste förankras säkert för att ställningen inte ska kunna välta eller skaka. Om marken är så lös att pålar lätt kan ryckas upp, behövs cementering. Se till att inga markkankare sticker upp ur marken eftersom barn lätt kan snubbla över dem.
- När du satt ihop lekplatsen, bör du använda en metallsåg för att såga av alla utstickande gängade ändrar av bultar och andra fästordningar. Slipa bort alla vassa kanter med en metallfil.
- Sandpappra träet för att förebygga flisor. Slåta även till alla hörn med sandpapper eller en metallfil till en radie på 3 mm.
- Sätt in fast ytterligare föremål, såsom rep, kedjor, tjocka snören eller dylikt, på den här lekplatsen.
- Kombinera inte produkter från andra tillverkare med Jungle Gym®-produkter. Det kan äventyra säkerheten.
- Använd bara RopeLocks™ tillsammans med gungkrokar från Jungle Gym®. Använd inte RopeLocks™ för andra syften, till exempel bergs-klättring eller att dra tunga laster.
- Skruvöglan till Swing Hook LS ska skruvas helt in i och dikt mot tvärbjälkens trä. Det är viktigt att Swing Hook öglorna sitter i linje och i korrekt läge. En felaktig montering eller öglor som inte sitter i linje kan gå sönder, dras ut eller på annat sätt försaka skador!
- Avståndet mellan gungtillbehör (t.ex. en gungstis) och marken bör vara minst 35 cm.
- Avståndet mellan två gungor eller mellan gunga och ställningsram bör vara minst 30 cm.
- Avståndet mellan Swing Hook öglorna ska vara 45 cm.
- Avståndet mellan gungtillbehören ska vara 45 cm.
- Klätterrep och repstegar måste alltid fästas både upptill och nertill eftersom ett fritt hängande rep kan knytas till en snara och barn kan fastna och kvävas.

KONTROLL OCH UNDERHÅLL

För användarsäkerhetens skull måste lekplatsen säkerhetsgranskas enligt nedan - en gång i början av säsongen och ytterligare två gånger per månad under användningssäsongen. Om underhållskontrollerna inte utförs regelbundet kan lekplatsen välta eller på annat sätt bli farlig.

Träkomponenter

- Kontrollera flisor och eventuella andra defekter i träets struktur.
- Underhåll ställningen genom att betsa den utvändigt regelbundet för att förebygga tråröta. Använd inte målarfärg som kan göra ytan hal.

Monteringsmaterial

- Kontrollera alla monteringsdelar så att de är ordentligt åtdragna. Varning: Skruvar och bultar som dras åt för hårt krossar träets fibrer och leder till att det spricker.
- Kontrollera även rost, som kan påverka styrkan hos övriga material, beslag och gungkrokar. Byt ut dem vid behov.
- Kontrollera markkankaren för att försäkra dig om att de är säkrade. Byt ut eller flytta om nödvändigt.

Tillbehör (vid behov)

- Kontrollera RopeLocks™ så att de sitter rätt på Jungle Gym®-gungkrokarna. För att kontrollera RopeLocks HC, hänger du dig med hela din kroppsvikt på varje enskilt grepp i några sekunder. RopeLocks SC kan kontrolleras genom att man sitter på tillbehöret med hela sin kroppsvikt i några sekunder. Byt ut om nödvändigt.
- Om det hörs gnissel, kan man fukta RopeLocks HC med vatten, eller vegetabilisk olja så som olivolja.
- Kontrollera stabiliteten hos gungstisar och bjälkar och kontrollera att gungrepen inte börjat trasas sönder eller luckras upp i fibrer. För att bättre bedöma repets tillstånd, kan du dra isär det där det är slitet och titta noga om fibrerna är avslitna. Kontrollera babygungans säkerhetsbälte. Byt ut det vid behov.
- Kontrollera rutschbanans fäste mot plattformen så att ingenting sticker upp som till exempel kapuschongsnören kan fastna i - vilket kan leda till kvävning.
- Alla tillbehör kan rengöras med varmt vatten och ett mildt rengöringsmedel. Svårt nersmuttsade rutschbanor kan rengöras med högtryck svävt. Var försiktig så att du inte skadar rutschbanans ytskikt.

Safe play area

- Kontrollera att det stötdämpande markskiktet inte är alltför komprimerat. Luckra upp det om det behövs. Fyll i eventuella hål, till exempel under gungstisar.
- Kontrollera ställningens stabilitet.
- Kontrollera riskmoment i omgivning, t ex låga grenar, tvättlinor, lösa material.

Miljöskydd

Trädelar av lekplatser bör aldrig tändas när de kastas. Gör dig av med alla metalldelar på ett säkert sätt. Man får inte bränna tryckbehandlat, betsat eller målat virke själv eftersom det är miljöfarligt. Ta med det till din lokala miljöstation.

SÄKER LEK

Obs:

- Vuxna måste övervaka leken på plats. Det gäller barn i alla åldrar och vid alla tillfällen.
- Lär barnen att leka säkert.
- Klä barnen rätt. Undvik accessoarer och kläder med dragnören och stora kläder, som kan fastna eller rivas sönder på utrustningen.
- Sist men inte minst: Använd sunt förnuft för att undvika eventuella faromoment.
- Jungle Gym®-produkter är avsedda för barn i ålderna 3-10 år, om inte annat anges.

Säker lek (III. 1)

- Utrustningen bör inte lekas på vid våt väderlek eftersom ytorna kan bli hala. Vid frost kan även den mjukaste mark förvandlas till en mycket hård yta. Tillbehör ska tas av och förvaras inomhus när temperaturen underskrider 0° C (32° F).
- Om lekplatsen eller tillbehören används på något annat sätt än det de är avsedda för, kan det leda till material- eller personskador. Snurra och vrid inte gungor, kedjor, rep eller andra tillbehör. Att snurra dem gör tillbehören mindre hållbara och kan leda till kvävning.
- Säg till barnen att inte:
 - hoppa ner från gungor som är i rörelse
 - gunga tomma gungstisar eller andra tomma tillbehör
 - gunga snett
 - hänga upp och ner från någon del av ställningen.
 - ta tag i eller hejda ett annat barn på ett tillbehör som rör sig
 - gå nära, framför, mellan eller bakom tillbehör som rör sig
- Säg till barnen att sitta mitt på gungorna, med hela sin vikt på sitsarna. Platser bör användas som beräknat av tillverkaren, av ett barn i taget. Ett standardtorn: max 3 barn får leka på ställningen. Maxvikten per barn är 50 kg. Ett standardtorn kombinerat med en gunga: max 5 barn får leka på ställningen. Maxvikten per barn är 50 kg.
- Man bör inte låta barn klättra eller hänga på själva ställningsramen. Fall kan leda till svåra skador.
- Lekytan ska vara fri från alla typer av föremål eller hinder.
- Varje öppen yta på en plattform ökar olycksrisken. Flisken kan minskas avsevärt genom att man sätter upp säkerhetsutrustning, såsom handtag, säkerhetsräcken och brädor.
- Låt inte barnen åka rutschbana på något annat sätt än sittande. Undvik att utsätta rutschbanan för soljussöderifrån. Alla delar kan bli varma när de utsätts för soljuss. Kontrollera att lekplatsen inte är varm innan du låter barnen leka. Om det behövs, kan ställningen kylas av med vatten. Torka den innan den används. Spruta inte vatten på rutschbanan för att öka lekglädjen. Barnen åker då för fort och det kan leda till skador.

Verktyg som krävs (III. 2)

- Måttband, 2. Blyertspenna, 3. Metallsåg, 4. Trä- och metallfil
- Elektrisk bormaskin, 6. Hammare, 7. Vattenpass

Standardbultkopplingar (III. 3)

- Borra ett 10 mm hål i de delar som ska monteras.
- Driv in den svetsade mutterhylsan i hålet med en hammare. Den utskjutande hylsan på den svetsade muttern ska vara inne i träet.
- Placera låsbrickan över bultens skaft följd av planbrickan och den undre delen av bultöverfallet. Dra åt bulten i den svetsade muttern för hand innan du använder en 13 mm hylsa i din elektriska skruvdragare för att dra åt bultarna tills låsbrickorna är så hårt komprimerade mellan bultbultvudet och planbrickan att de är helt plana. Stäng bultöverfallets överdel.
- Om bulten verkar för kort rekommenderar vi att du borrar upp den övre delen av hålet, i den tjockaste delen av träet, med ett 22 mm borr till ett djup på 15 mm eller mer så att bulten sjunker ner efter montering. Stryk lasyr i det borrade hålet. Eftersom bulten nu är nersänkt behöver överfallet inte användas.
- Om bulten verkar för lång, måste den överskjutande biten klippas av. Om det bildas några vassa kanter, använder du en fil.

Förböring (III. 4a + 4b)

För att träet inte ska splittras, bör du alltid förborra innan du skruvar. De här förborrade hålen är 10 mm kortare än skruven.

Träskruv (III. 4a)

- Borr 3mm för träskruv.
- Det är viktigt att skruvskaften är inte sticker upp ovanför träytan, samt att den ej har några skarpa uppstickande kanter.

XL Stealth™ träskruv med rund skalle (III. 4b)

- För XL Stealth™ träskruvarna med rund skalle borrar ett 6 mm hål genom båda delarna som ska sättas fast.
- Placera en planbricka och den undre delen av bultöverfallet på skruvskaftet. Placera skruven i hålet och använd en T40 hylsa och en elektrisk skruvdragare. Stäng bultöverfallet med en övre del.

Varning: dra inte åt skruvarna och bultarna för hårt!

När man använder hårdträ kan det vara nödvändigt att borra hålen något större beroende på träets densitet.

040_805_GSI_0300_20120911_NJA

PRODUSENTENS BEGRENSEDE GARANTI

Når dette produktet brukes på normal måte, garanteres det av Jungle Gym® overfor den opprinnelige kjøper i en periode på 2 år etter kjøpsdato, på følgende betingelser:

- At mulige defekter skyldes flaws(?) eller defekter i materialer eller produksjonsdefekter.
- At anvisningene i både del 1 og 2 i vår instruksjonsmanual har blitt nøyaktig lest og fulgt.
- At produktene bare har blitt brukt til å konstruere lekeapparater for enkeltfamilier til privat bruk.

Denne begrensede garantien dekker ikke:

- Arbeidet eller arbeidskostnadene ved erstatning av den defekte delen.
- Enhver tilfeldig skade eller derav følgende skader.
- Gjenstander som har blitt utsatt for hærverk, manglende oppsyn, feilaktig bruk, feilaktig montering, normal slitasje, ekstreme værforhold eller andre unormale forhold.
- Enhver endring som er gjort på komponenter og tilbehør.

Garanti-prosedyre

Innenfor en periode på 30 dager vil Jungle Gym® erstatte defekte deler kostnadsfritt, dersom den defekte delen sendes inn til inspeksjon. Defekt del sendes i postoppkrav til Jungle Gym®. Jungle Gym® vil sende delen tilbake i en frankert konvolutt. Etter 30 dager kan du sende den defekte delen til Jungle Gym®, men du må selv betale porto. Jungle Gym® vil sende delen tilbake til deg i postoppkrav. Du må ta kontakt med salgsstedet for å få tillatelse til å sende delen tilbake. Jungle Gym® tar ingen deler tilbake hvis de ikke har gitt sin skriftlige tillatelse på forhånd til stedet der apparatet ble solgt første gang. Sendingen vil da få et autorisasjonsnummer. Alle deler som returneres til Jungle Gym®, må vedlegges et bevis på kjøpsdato.

Kundens ansvar

- Det er kundens ansvar å utføre regelmessige inspeksjoner, og å vedlikeholde produktet slik at det ikke slites ut for tidlig. Disse inspeksjonene og vedlikeholdet er nevnt i denne manualen.
- Kunden må ta alle forholdsregler som gjelder barns sikkerhet.

Erklæring ovenfor påvirker ikke kundens rettigheter som forbruker. Ettersom lovgivningen i noen land ikke tillater de unntak og begrensninger som er nevnt ovenfor, er det mulig at de ikke gjelder i det hele tatt

Jungle Gym beholder seg retten til å endre materialer, og design, uten å informere på forhånd.

040_805_LMW_no_0100_20101018_noA

GARANȚIE LIMITATĂ A PRODUCĂTORILOR

Supus unei utilizări normale, acest produs este garantat de Jungle Gym® cumpărătorului inițial pentru o perioadă de 2 ani de la data cumpărării, cu următoarele condiții:

- Ca defecțiunile respective să fie datorate unor crăpături sau defecte ale materialelor sau unor defecte de fabricație.
- Ca indicațiile pentru piesele 1 și 2 din manualul cu instrucțiuni să fi fost respectate și urmate cu strictețe.
- Ca produsele să fi fost utilizate numai la asamblarea seturilor de joacă exclusiv pentru utilizarea domestică a acestora de către o singură familie.

Această garanție limitată nu acoperă:

- Manopera sau costul manoperei pentru înlocuirea articolului defect.
- Orice pagube incidentale sau indirecte.
- Articole deteriorate din cauza vandalismlui, neglijenței, utilizării necorespunzătoare, instalării necorespunzătoare, uzurii normale, condițiilor climatice extreme sau a altor condiții anormale.
- Orice modificări efectuate în plus la componente și accesorii.

Procedura de garanție

În termen de 30 de zile, compania Jungle Gym® va înlocui gratuit produsele defecte, cu condiția ca piesele defecte să fie returnate pentru control, cu plata costurilor de transport. Jungle Gym® va returna piesa cu costul transportului preplătit. După o perioadă de 30 de zile, returnați piesa defectă cu costul transportului preplătit, iar Jungle Gym® vă va trimite înapoi piesa respectivă, cu plata costurilor de transport. Trebuie contactat magazinul de unde a fost cumpărat produsul pentru a obține autorizarea de returnare a piesei defecte. Nici un produs nu va fi acceptat fără aprobarea scrisă prealabilă a companiei Jungle Gym® acordată magazinului de unde a fost cumpărat inițial produsul, care va include un număr de autorizare. Toate produsele returnate trebuie însoțite de dovada datată a cumpărării acestora.

Responsabilitățile clientului

- Clientul este responsabil pentru efectuarea unor inspecții și operațiuni de întreținere periodice pentru a se asigura că produsul nu se uzează prematur. Aceste inspecții și operațiuni de întreținere sunt menționate în prezentul manual.
- Clientul trebuie să ia toate măsurile de precauție necesare pentru a garanta siguranța copiilor.

Declarația de mai sus nu afectează drepturile legale ale unui client. Datorită faptului că anumite jurisdicții din unele țări nu permit excluderea sau limitările stabilite mai sus, este posibil ca acestea să nu se aplice în toate cazurile.

Jungle Gym® își rezervă dreptul de a aduce modificări materialelor și designului fără o notificare prealabilă.

040_805_LMW_ro_0100_20101018_roA

GWARANCJA PRODUCENTA

Pod warunkiem normalnego użytkowania, producent Jungle Gym® udziela gwarancji pierwszemu właścicielowi zestawu na okres 2 lata od daty zakupu, pod warunkiem, że:

- wszelkie uszkodzenia są spowodowane wadami materiałowymi lub produkcyjnymi
- właściciel przestrzegał zaleceń zarówno części 1 jak i 2 instrukcji obsługi
- produkt został użyty do skonstruowania zestawu do zabawy wyłącznie w warunkach domowych, do użytku prywatnego

Gwarancja nie obejmuje:

- wszelkich prac ani kosztów robocizny przy wymianie uszkodzonych części
- uszkodzeń przypadkowych
- części i elementów uszkodzonych przez wandalii, poprzez zaniedbanie, nieprawidłową instalację, normalne zużycie i ekstremalne warunki pogodowe
- uszkodzeń powstałych w wyniku dokonywania jakichkolwiek modyfikacji części i elementów zestawu

Procedura gwarancyjna

Producent Jungle Gym® wymieni bezpłatnie wadliwy towar na nowy w terminie 30 dni, pod warunkiem, iż wadliwa część zostanie dostarczona do producenta w celu kontroli, za odpłatnością przy odbiorze kurierowi. Jungle Gym® zwróci część opłaconą przesyłką. Po upływie 30-dniowego terminu, należy zwrócić wadliwą część przesyłką opłaconą a Jungle Gym® odeśle ją z powrotem, za odpłatnością przy odbiorze kurierowi... Aby przekazać uszkodzoną część do producenta na gwarancji, należy wcześniej skontaktować się miejscem zakupu zestawu w celu dokonania autoryzacji. Bez wcześniejszego pisemnego potwierdzenia wysłanego przez Jungle Gym® do miejsca zakupu zestawu, które będzie zawierać numer autoryzacyjny, żadna wadliwa część nie zostanie przyjęta do wymiany. Do każdej reklamacji należy dołączyć dowód zakupu.

Obowiązki klienta

- Klient jest odpowiedzialny za dokonywanie regularnych przeglądów i serwisowanie urządzeń zestawu celem zapewnienia ich przez zbyt wczesnym zużyciem. Wskazówki dotyczące przeglądów i serwisowania podane są w instrukcji obsługi.
- Klient jest zobowiązany przedsięwziąć wszelkie kroki celem zapewnienia bezpieczeństwa dzieciom.

Powyższe stwierdzenia nie eliminują statutowych praw Klienta. Niektóre z powyższych ograniczeń mogą nie być stosowane w niektórych krajach.

Jungle Gym® zastrzega sobie prawo do dokonywania zmian w materiałach i projekcie urządzeń zestawu bez obowiązku wcześniejszego powiadomienia o tym fakcie.

040_805_LMW_pl_0100_20101018_plA

ОГРАНИЧЕННАЯ ГАРАНТИЯ ПРОИЗВОДИТЕЛЯ

При условии целевого использования Jungle Gym® предоставляет первоначальному покупателю данного изделия гарантию сроком на 2 года от даты покупки на следующих условиях:

- При условии, что такие дефекты связаны с дефектами или недостатками материалов или дефектами производства.
- При условии точного соблюдения и следования требованиям всех частей 1 и 2 данной инструкции.
- При условии, что изделие использовалось только для строительства игрового комплекса для частного использования одной семьей.

Данная ограниченная гарантия не покрывает:

- Работу или стоимость работы по замене дефектного элемента.
- Стоимость доставки заменяемой детали по истечении изначального 30-дневного срока.
- Никаких побочных или косвенных убытков.
- Детали, поврежденные вследствие вандализма, небрежности, нецелевого использования, неправильной установки, естественного износа, экстремальных погодных условий или иных ненормальных условий.
- Косметические дефекты, не влияющие на структурную целостность изделия.
- Случаи выцветания краски или незначительных отклонений, которые не могли быть технически предусмотрены или предотвращены, и являются в целом приемлемыми в данной отрасли.
- Любые изменения, внесенные в компоненты и принадлежности.

Порядок гарантийного обслуживания

В течение 30-дневного периода Jungle Gym® бесплатно заменит дефектные изделия, при условии отправки дефектной детали для проверки с оплатой доставки получателем. Jungle Gym® возместит предоплаченные расходы по отправке детали. По истечении 30-дневного периода, возврат дефектных деталей осуществляется с оплатой доставки отправителем. Jungle Gym® отправит Вам замену с оплатой за счет получателя. Перед возвратом дефектной детали необходимо связаться с точкой продажи для предварительного согласования возврата. Никакие изделия не будут приняты без предварительного письменного одобрения от Jungle Gym®. Все возвраты должны сопровождаться датированным подтверждением покупки. В случае возврата дефектной детали в Jungle Gym®, необходимо обеспечить ее защиту от повреждений при перевозке.

Обязанности клиента

- Обязанностью клиента является проведение регулярных проверок и обслуживания изделия для предотвращения его преждевременного износа. Процедура проверки и обслуживания описана в данной инструкции.
- Клиент должен принимать все меры для обеспечения безопасности детей.

Jungle Gym® отказывается от всех других представлений и гарантий,

GARANTIA LIMITADA DO FABRICANTE

O produto é garantido pela Jungle Gym®, desde que utilizado em condições normais, num período de 2 anos desde a data da compra, nas seguintes circunstâncias:

- Os defeitos apresentados no artigo fornecido sejam provenientes do material ou do fabrico
- As instruções de montagem sejam rigorosamente cumpridas
- O kit destina-se única e exclusivamente à utilização familiar

A garantia do fornecedor não cobre

- O trabalho ou o custo do trabalho para a reposição do artigo defeituoso
- Alguns danos acidentais ou consequentes
- Danos causados ao equipamento por actos de vandalismo, negligência, utilização inadequada, instalação imprópria, condições atmosféricas extremas ou outras condições consideradas anormais, e modificações adicionadas aos componentes e aos acessórios do artigo fornecido

Procedimento da garantia

Num período de 30 dias a Jungle Gym® substituirá a mercadoria defeituosa livre de custos desde que o material defeituoso seja devolvido para verificação. O custo da devolução do artigo será restituído ao cliente no caso de se verificar o defeito. O cliente deve efectuar uma reclamação antes de devolver a mercadoria. Nenhuma devolução será aceite sem autorização prévia. Todas as devoluções devem ser acompanhadas pela prova de compra.

Responsabilidades do cliente

- É da responsabilidade do cliente executar inspeções e a manutenção regulares para se assegurar que o produto não esteja a envelhecer prematuramente. Estas inspeções e a manutenção são mencionadas neste manual.
- O cliente deverá inspecionar todos os componentes do parque que uma vez danificados, possam por em causa a segurança das crianças.

As indicações acima mencionadas não interferem nos direitos do consumidor. Porque em algumas jurisdições de alguns países não permitem a exclusão ou as limitações acima mencionadas, estas não se podem aplicar em todos os casos.

A Jungle Gym® reserva o direito de efectuar alterações e projectá-las sem aviso prévio.

040_805_LMW_pt_0100_20101018_ptA

OBMEDZENÁ ZÁRUKA POSKYTOVANÁ VÝROBCOM

Za predpokladu normálneho použitia Jungle Gym® dáva záruku na tento výrobok prvému kupujúcemu na dobu 2 roky od dátumu predaja za nasledujúcich podmienok:

- Závady sú dôsledkom chýb materiálov, alebo výroby.
- Pokyny z časti 1 a z časti 2 našej príručky boli kompletne dodržiavané a zachované.
- Výrobky boli používané pre stavbu ihriskovej konštrukcie pre súkromné použitie v jednej rodine.

Táto obmedzená záruka sa nevzťahuje na:

- Prácu alebo náklady a za prácu, potrebnú na výmenu vadnej časti.
- Žiadne vedľajšie a následné škody.
- Položky poškodené vandalizmom, nebalostou, nesprávnym používaním, nesprávnou montážou, normálnym opotrebením, extrémnymi poveternostnými podmienkami, alebo inými abnormalnými podmienkami.
- Akékoľvek dodatočné úpravy komponentov a príslušenstva.

Postup pri reklamacii

Do 30 dní Jungle Gym® vymení vadný tovar bezplatne za predpokladu, že vadná časť bude vrátená pre účel kontroly zaslaním na dobierku. Jungle Gym® súčiasťou vráti s uhradením prepravných nákladov. Po uplynutí 30-dňovej doby vráťte vadnú časť a zašlite ju s úhradou prepravných nákladov; Jungle Gym® Vám ju zašle naspäť formou dobierky. Je potrebné spojiť sa s predajňou, kde bolo zariadenie zakúpené a získať súhlas k vráteniu vadnej časti. Žiadny tovar nebude prijatý bez predchádzajúceho písomného súhlasu od Jungle Gym® pre predajňu, ktorá výrobok predala prvému zákazníkovi. Tento súhlas bude obsahovať autorizačné číslo. Každé vrátenie vadných dielov musí byť doložené dokladom o zakúpení s dátumom zakúpenia.

Zodpovednosť zákazníka

- Zákaznik je zodpovedný za vykonávanie pravidelných kontrol a údržby tak, aby nedošlo k predčasnému zastaveniu (znehodnoteniu) výrobku.
- Kontroly a údržba sú popísané v tejto príručke.
- Zákaznik musí vykonať všetky opatrenia aby zaistil bezpečnosť detí.

Hore uvedené prehlásenie neovplyvňuje zákonom stanovené práva zákazníka. Pretože niektoré zákonodarstvo v určitých krajinách nepovoluje hore uvedené výnimky alebo obmedzenia, nie je možná ich aplikácia vo všetkých prípadoch.

Jungle Gym® si vyhradzuje právo na zmeny materiálov a konštrukcie bez predchádzajúceho upozornenia.

040_805_LMW_sk_0100_20101018_n1A

PROIZVAJALČEVA OMEJENA GARANCIJA

Pogojeno z normalno uporabo tega izdelka velja garancija Jungle Gym® za kupca za dobo 2 leti od datuma nakupa pod naslednjimi pogoji:

- Da so tiste napake pripisljive pomanjkljivostim ali napakam v materialu ali proizvodnem postopku.
- Da so dosledno uposteavana in izvedena navodila v obeh delih, 1 in 2 našega priročnika navodil.
- Da so izdelki uporabljeni samo za gradnjo igralne opreme za eno družinsko stanovanjsko hišo.

Ta omejena garancija ne pokriva:

- Delo ali stroške dela za zamenjavo elementov z napakami.
- Kakršenkoli slučajni ali posledični poškodbe.
- Elementi poškodovani zaradi vandalizma, zanemarjenosti, nepravilne uporabe, napačne montaže, normalne obrabe, ekstremnih vremenskih razmer ali drugih nenormalnih pogojev.
- Vsaka modifikacija na komponente ali dodatnih opem.

Garancijski postopek

V 30-ih dneh bo Jungle Gym® brezplačno zamenjal pomanjkljivo blago pod pogojem, da vrnete pomanjkljivi del z prevozom po vzetju za inspekcijo. Jungle Gym® bo poslal del z predplačnim prevozom. Po 30 dneh, vrnite pomanjkljivi del z predplačanim prevozom in Jungle Gym® ga bo poslal nazaj po prevozom plačljiv po vzetju. Morate kontaktirati mesto nakupa zaradi odobritve za vračanje pomanjkljivega dela. Nobeno blago ne bo sprejeto brez predhodne pismene odobritve od Jungle Gym® na mestu originalnega nakupa, ki vsebuje številko odobritve. Vse vrnjene pošiljke morajo biti opremljene z datiranim dokazom nakupa.

Odgovornosti kupca

- Kupec je odgovoren za izvajanje redne pregleda in vzdrževanje, da se prepreči, da se izdelek prepogodaj ne postara. Te pregledi in vzdrževanja so navedena v tem priročniku.
- Kupec mora skrbeti za vse varnostne ukrepe za jamstvo varnosti otrok.

Zgornja izjava nima vpliva na zakonite pravice kupca. Ker nekatere jurisdikcije v nekaterih državah ne dovolijo izključitev ali omejenost, kakor so določene zgoraj, le te ne veljajo v vseh primerih.

Jungle Gym® pridružuje pravice za spremembe v materialu in konstrukciji izdelkov brez predhodnega obvestila.

040_805_LMW_sl_0100_20101018_n1A

OGRANIČENA GARANCIJA PROIZVOĐAČA

Pod uslovima upotrebe proizvoda saglasno njegovoj nameni Jungle Gym® kupcu daje garanciju u trajanju od 2 godine pod sledećim uslovima:

- Da se nedostatci odnose na greške ili defekte na materijalima ili na fabričke greške.
- Da je korisnik detaljno proučio i pratio sva uputstva iz tačka 1 i 2 iz korisničkih uputstva.
- Da su proizvodi korišćeni samo za sastavljanje seta za igranje u svrhu upotrebe od strane same jedne porodice.

Ovo ograničena garancija ne pokriva:

- Radove ili troškove rada na zameni defektnog elementa.
- Troškove dostave u svrhu zamene delova nakon isteka inicijalnog perioda od 30 dana.
- Bilo kakva slučajna ili posledična oštećenja.
- Oštećenja nastala usled vandalizma, nemara, neprimerene upotrebe, nepropisnog postavljanja, uobičajenog habanja, ekstremnih vremenskih uslova ili ostalih neubičajenih uslova.
- Estetska oštećenja koja se ne odnose na strukturni integritet jedinice.
- Slučajevne bleđenja boje ili manje nedostatke koji nisu tehnički uslovljeni ili se ne mogu sprečiti i koji se obično prihvataju u robnoj razmeni.
- Bilo kakve modifikacije komponenta i dodataka.

Postupak korišćenja garancije

Jungle Gim će zamijeniti neispravnu robu u roku od 30 dana bez naknade, pod uslovom da se neispravni dio pošalje na pregled. Primalac u tom slučaju preuzima troškove isporuke. Jungle Gym će o vlastitom trošku vratiti robu. Nakon isteka perioda od 30 dana pošaljite neispravan deo uz podmirenje troškova isporuke te će Vam Jungle Gym vratiti robu. U tom slučaju primatelj preuzima troškove isporuke. Od prodajnog je mesta potrebno zatražiti odobrenje za vraćanje neispravnog dela. Roba neće biti prihvaćena bez prethodnog pisanog odobrenja Jungle Gym-a. Sva vraćena roba mora imati pisani dokaz o kupovini i datumu kupovine. Ako vraćate neispravni deo Jungle Gym-u, molimo Vas da ga zaštitite od oštećenja tokom transporta.

Odgovornost kupca

- Odgovornost je kupca da redovno pregleda i održava proizvod kako bi ga zaštitio od preranog habanja. Ti su pregledi i postupci održavanja navedeni u ovom priručniku..
- Kupac mora preduzeti sve mere za zaštitu i sigurnost dece.

Jungle Gym ne priznaje ostale predstave i garancije bilo koje vrste, izričita ili implicirana, činjenična ili zakonska, uključujući, bez ograničenja, implicitnu garanciju za upotrebljivost i izvodljivost za određenu svrhu. Gornja odredba ne utiče na zakonska prava kupca. Budući da jurisdikcije određenih država ne dozvoljavaju gornja isključenja ili ograničenja, ona se eventualno ne primenjuju u svim slučajevima. Jungle Gym® zadržava pravo na izmene materijala i dizajna bez prethodnog najave.

040_805_LMW_sr_0100_20181108_n1A

TILLVERKARENS BEGRÄNSADE GARANTI

Föruftsatt att denna produkt används på normalt sätt lämnar Jungle Gym® garanti till den ursprungliga köparen under en period av 2 år från inköpsdagen med följande förutsättningar:

- Att dessa eventuella fel är att härröra till material- eller tillverkningsfel.
- Att både del 1 och del 2 i våra instruktioner studerats noggrant och följs till punkt och pricka.
- Att produkten endast använts på det sätt den är avsedd för i ett familjeshem

Den begränsade garantin omfattar inte:

- Arbetet eller arbetskostnaden för att byta ut den defekta varan.
- Några som helst indirekta skador och följskador.
- Delar skadade på grund av vandalisim, underlåtelse, felaktig användning, felaktig montering, normal förslitning, extrema väderförhållanden eller andra onormala förhållanden.
- Några som helst ändringar av delar och tillbehör.

Garantipecedur

Inom en 30-dagars period ersätter Jungle Gym® defekta delar utan kostnad förutsatt att de defekta delarna returneras för inspektion (mottagaren betalar frakten). Jungle Gym® returnerar delarna med frakten förbetald. Efter denna 30-dagars period kan defekta delar returneras med frakt förbetald och Jungle Gym® returnerar korrekta delar mot postförskort eller liknande. Kontakta alltid inköpsstället för att få tillåtelse att returnera de defekta delarna. Inga delar accepteras utan skriftligt godkännande från Jungle Gym® till platsen för det ursprungliga inköpet. Godkännandet ska innefatta ett godkännandenummer. Alla retur ska åtföljas av ett daterat inköpskvitto.

Kundens skyldigheter

- Kunden är skyldig att regelbundet kontrollera och underhålla produkten så att den inte slits ut i förtid. Kontroll och underhåll av produkten nämns i handbokens allmänna del.
- Kunden måste vidta alla säkerhetsåtgärder för att garantera barnens säkerhet.

Uttalandet ovan påverkar inte konsumentens lagstadgade rättigheter. Eftersom lagen i vissa länder inte tillåter utslutningar eller begränsningar så som satta ovan kan det vara så att de inte är tillämpliga vid alla tillfällen.

Trädgårdsvirket som behövs och instruktioner för sågning.

040_805_LMW_sv_0100_20101018_n1A

ÜRETICILERIN LIMITLI GARANTISI

Ürün, doğru kullanılması ve aşığıdıkları koşulların yerine getirilmesi halinde Jungle Gym® tarafından satın alındığı tarihten itibaren 2 yıl boyunca garantilidir:

- Hata malzemenin veya üretimdeki bir aksaklıktan kaynaklanıyorsa,
- Kullanım klavuzununun 1. ve 2. bölümleri eksiksiz anlaşılmış ve uygulanmış ise,
- Ürün parçalarının sadece tek bir aile evinde/bahçesinde kullanılmak üzere oyun seti yapılmışında kullanılması halinde.

Limitli garanti aşığıdakileri kapsamaz:

- Hatalı ürünün işçiliği veya işçilik ücreti,
- Tesadüfi veya bağlantılı hasarlar,
- Şiddet, ihmâl, yanlış kullanım, normal aşınma, aşırı hava koşulları veya diğer anormal koşullar,
- Parçaların yapılmış herhangî bir modifikasyon.

Garanti prosedürü

Jungle Gym®, hatalı ürünün kontrol için geri gönderilmesi halinde (nakliye ücreti Jungle Gym® tarafından ödenecektir), bozuk ürünü ücretsiz olarak 30 gün içinde değiştirir. Jungle Gym® parçayı nakliye ücretini karşılayarak geri gönderecektir. Hatalı ürün, 30 gün geçtikten sonra gerigönderilirse, nakliye ücreti müşteri tarafından karşılanacaktır. Jungle Gym® ürünü geri gönderirken de nakliye ücretini karşılamayacaktır. Hatalı ürünün geri gönderilebilmesi için satın alınan yer ile iletişime geçilip onay alınması gereklidir. Onay numarasının da dahil edildiği yazılı onay olmadıkça süreç Jungle Gym® hiçbir mali kabul etmeyecektir. İade edilen tüm ürünlerde onaylı satın alınma tarihinin de yazması gereklidir.

Müşterinin sorumlulukları

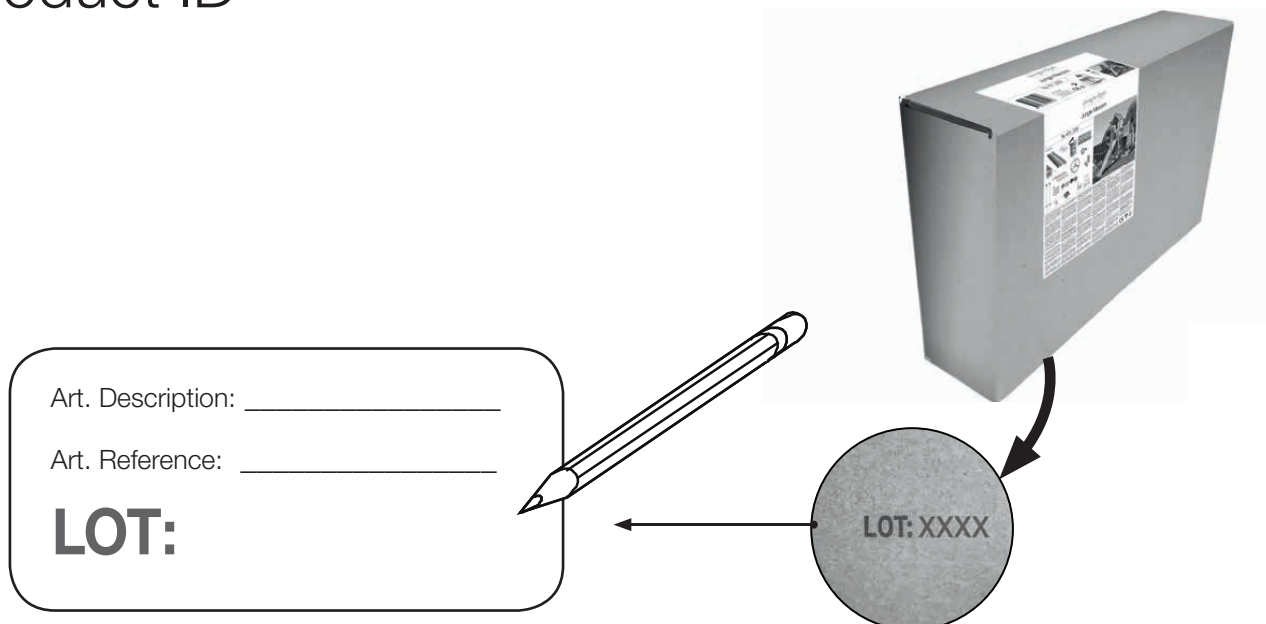
- Ürünün daha uzun kullanılabilmesini sağlamak için periyodik kontrolleri ve bakımı yapmak müşterinin sorumluluğudur. Kontrol ve bakımlar bu kullanım klavuzunda belirtilmiştir.
- Müşteri, çocukların güvenliğini sağlamak için tüm önlemleri almak zorundadır.

Yukarıdaki cümle, müşterinin yasal haklarını etkilemez. Bazı ülkelerdeki yargı makamları yukarıdaki limit ve kısıtlamaları kabul etmediği için, tüm davalarda geçerli sayılamazlar.

Jungle Gym® tüm malzeme ve tasarımlarda önceden bilgi vermemesizin değişiklik yapma hakkını saklı tutar.

040_805_LMW_tr_0100_20101018_n1A

Product ID



Jungle Gym

BACKYARD PLAYGROUNDS

— since 1988 —

P.O. Box 75083
1070 AB Amsterdam
The Netherlands

Do not reproduce under penalty of law.
Availability of Jungle Gym® products may vary between distributors
and countries. Subject to alterations and printing errors.
Printed in China.