

# SKIL®

## BRUSHLESS IMPACT DRILL 3021 (CD1\*3021\*\*)



|            |  |    |            |   |     |
|------------|--|----|------------|---|-----|
| <b>GB</b>  | ORIGINAL INSTRUCTIONS                    | 9  | <b>UA</b>  | ОРИГІНАЛЬНА ІНСТРУКЦІЯ<br>З ЕКСПЛУАТАЦІЇ  | 72  |
| <b>F</b>   | NOTICE ORIGINALE                         | 12 | <b>GR</b>  | ΠΡΩΤΟΤΥΠΟ ΟΔΗΓΙΩΝ ΧΡΗΣΗΣ                  | 76  |
| <b>D</b>   | ORIGINALBETRIEBSANLEITUNG                | 16 | <b>RO</b>  | INSTRUCȚIUNI DE FOLOSIRE<br>ORIGINALE     | 81  |
| <b>NL</b>  | ORIGINELE GEBRUIKSAANWIJZING             | 21 | <b>BG</b>  | ОРИГИНАЛНО РЪКОВОДСТВО<br>ЗА ЕКСПЛОАТАЦИЯ | 85  |
| <b>S</b>   | BRUKSANVISNING I ORIGINAL                | 25 | <b>SK</b>  | PŔVODNÝ NÁVOD NA POUŽITIE                 | 89  |
| <b>DK</b>  | ORIGINAL BRUGSANVISNING                  | 28 | <b>HR</b>  | ORIGINALNE UPUTE ZA RAD                   | 93  |
| <b>N</b>   | ORIGINAL BRUKSANVISNING                  | 32 | <b>SRB</b> | ORIGINALNO UPUTSTVO ZA RAD                | 97  |
| <b>FIN</b> | ALKUPERÄISET OHJEET                      | 35 | <b>SLO</b> | IZVIRNA NAVODILA                          | 100 |
| <b>E</b>   | MANUAL ORIGINAL                          | 39 | <b>EST</b> | ALGUPÄRANE KASUTUSJUHEND                  | 104 |
| <b>P</b>   | MANUAL ORIGINAL                          | 43 | <b>LV</b>  | ORIĢINĀLĀ LIETOŠANAS PAMĀCĪBA             | 108 |
| <b>I</b>   | ISTRUZIONI ORIGINALI                     | 47 | <b>LT</b>  | ORIGINALI INSTRUKCIJA                     | 112 |
| <b>H</b>   | EREDETI HASZNÁLATI UTASÍTÁS              | 51 | <b>MK</b>  | ИЗВОРНО УПАТСТВО ЗА РАБОТА                | 115 |
| <b>CZ</b>  | PŔVODNÍM NÁVODEM K POUŽÍVÁNÍ             | 55 | <b>AL</b>  | UDHËZIMET ORIGJINALE                      | 120 |
| <b>TR</b>  | ORIJINAL İŞLETME TALİMATI                | 59 | <b>AR</b>  | دليل الاستعمال                            | 131 |
| <b>PL</b>  | INSTRUKCJA ORYGINALNA                    | 62 | <b>FA</b>  | راهنمای اصلی                              | 129 |
| <b>RU</b>  | ПОДЛИННИК РУКОВОДСТВА ПО<br>ЭКСПЛУАТАЦИИ | 67 |            |   |     |



**EAC**



[www.skil.com](http://www.skil.com)



001




|            |   |                    |   |
|------------|---|--------------------|---|
| <b>GB</b>  | <b>EU Declaration of conformity</b>               |                    | We declare under our sole responsibility that the stated products comply with all applicable provisions of the directives and regulations listed below and are in conformity with the following standards.<br>Technical file at: ★  |
|            | <b>Brushless impact drill</b>                     | Article number     |   |
| <b>F</b>   | <b>Déclaration de conformité UE</b>               |                    | Nous déclarons sous notre propre responsabilité que les produits décrits sont en conformité avec les directives, règlements normatifs et normes énumérés ci-dessous.<br>Dossier technique auprès de: ★  |
|            | <b>Perceuse à percussion sans balais</b>          | Numéro d'article   |   |
| <b>D</b>   | <b>EU-Konformitätserklärung</b>                   |                    | Wir erklären in alleiniger Verantwortung, dass die genannten Produkte allen einschlägigen Bestimmungen der nachfolgend aufgeführten Richtlinien und Verordnungen entsprechen und mit folgenden Normen übereinstimmen.<br>Technische Unterlagen bei: ★                             |
|            | <b>Bürstenloser Schlagbohrer</b>                  | Sachnummer         |   |
| <b>NL</b>  | <b>EU-conformiteitsverklaring</b>                 |                    | Wij verklaren op eigen verantwoordelijkheid dat de genoemde producten voldoen aan alle desbetreffende bepalingen van de hierna genoemde richtlijnen en verordeningen en overeenstemmen met de volgende normen.<br>Technisch dossier bij: ★  |
|            | <b>Borstelloze klopboormachine</b>                | Productnummer      |   |
| <b>S</b>   | <b>EU-konformitetsförklaring</b>                  |                    | Vi förklarar under eget ansvar att de nämnda produkterna uppfyller kraven i alla gällande bestämmelser i de nedan angivna direktiven och förordningarnas och att de stämmer överens med följande normer.<br>Teknisk dokumentation: ★  |
|            | <b>Borstlös slagbormaskin</b>                     | Produktnummer      |   |
| <b>DK</b>  | <b>EU-overensstemmelseserklæring</b>              |                    | Vi erklærer som eneansvarlige, at det beskrevne produkt er i overensstemmelse med alle gældende bestemmelser i følgende direktiver og forordninger og opfylder følgende standarder.<br>Tekniske bilag ved: ★  |
|            | <b>Børsteløs slagboremaskine</b>                  | Typenummer         |   |
| <b>N</b>   | <b>EU-samsvarserklæring</b>                       |                    | Vi erklærer under eneansvar at de nevnte produktene er i overensstemmelse med alle relevante bestemmelser i direktivene og forordningene nedenfor og med følgende standarder.<br>Teknisk dokumentasjon hos: ★   |
|            | <b>Børsteløs slagbormaskin</b>                    | Produktnummer      |   |
| <b>FIN</b> | <b>EU-vaatimustenmukaisuusvakuutus</b>            |                    | Vakuutamme täten, että mainitut tuotteet vastaavat kaikkia seuraavien direktiivien ja asetusten asiaankuuluvia vaatimuksia ja ovat seuraavien standardien vaatimusten mukaisia.<br>Tekniset asiakirjat saatavana: ★   |
|            | <b>Harjaton iskuporakone</b>                      | Tuotenumero        |   |
| <b>E</b>   | <b>Declaración de conformidad UE</b>              |                    | Declaramos bajo nuestra exclusiva responsabilidad, que los productos nombrados cumplen con todas las disposiciones correspondientes de las directivas y los reglamentos mencionados a continuación y están en conformidad con las siguientes normas.<br>Documentos técnicos de: ★ |
|            | <b>Taladro de impacto compacto sin escobillas</b> | Número de artículo |   |
| <b>P</b>   | <b>Declaração de conformidade CE</b>              |                    | Declaramos sob nossa exclusiva responsabilidade que os produtos mencionados cumprem todas as disposições e os regulamentos indicados e estão em conformidade com as seguintes normas.<br>Documentação técnica pertencente à: ★  |
|            | <b>Berbequim de impacto sem escovas</b>           | Número do produto  |   |
| <b>I</b>   | <b>Dichiarazione di conformità UE</b>             |                    | Dichiariamo sotto la nostra piena responsabilità che i prodotti indicati sono conformi a tutte le disposizioni pertinenti delle direttive e dei regolamenti elencati di seguito, nonché alle seguenti normative.<br>Documentazione tecnica presso: ★                              |
|            | <b>Trapano a percussione brushless</b>            | Codice prodotto    |   |
| <b>H</b>   | <b>EU konformitási nyilatkozat</b>                |                    | Egyedüli felelőséggel kijelentjük, hogy a megnevezett termékek megfelelnek az alábbiakban felsorolásra kerülő irányelvek és rendeletek valamennyi idevágó előírásainak és megfelelnek a következő szabványoknak.<br>Műszaki dokumentumok megőrzési pontja: ★                      |
|            | <b>Szénkefe nélküli ütvefúró</b>                  | Cikkszám           |   |
| <b>CZ</b>  | <b>EU prohlášení o shodě</b>                      |                    | Prohlašujeme na výhradní zodpovědnost, že uvedený výrobek splňuje všechna příslušná ustanovení níže uvedených směrnic a nařízení a je v souladu s následujícími normami.<br>Technické podklady u: ★   |
|            | <b>Bezkontaktní příklepová vrtačka</b>            | Objednací číslo    |   |
| <b>TR</b>  | <b>AB Uygunluk beyanı</b>                         |                    | Tek sorumlu olarak, tanımlanan ürünün aşağıdaki yönetmelik ve direktiflerin geçerli bütün hükümlerine ve aşağıdaki standartlara uygun olduğunu beyan ederiz.<br>Teknik belgelerin bulunduğu yer: ★  |
|            | <b>Fırçasız darbeli matkap</b>                    | Ürün kodu          |   |
| <b>PL</b>  | <b>Deklaracja zgodności UE</b>                    |                    | Oświadczamy z pełną odpowiedzialnością, że niniejsze produkty odpowiadają wszystkim wymaganiom poniżej wyszczególnionych dyrektyw i rozporządzeń, oraz że są zgodne z następującymi normami.<br>Dokumentacja techniczna: ★  |
|            | <b>Bezszcotkowa wiertarka udarowa</b>             | Numer katalogowy   |   |
| <b>RU</b>  | <b>Заявление о соответствии ЕС</b>                |                    | Мы заявляем под нашу единоличную ответственность, что названные продукты соответствуют всем действующим предписаниям нижеуказанных директив и распоряжений, а также нижеуказанных норм.<br>Техническая документация хранится у: ★   |
|            | <b>Бесщеточная ударная дрель</b>                  | Товарный номер     |   |
| <b>UA</b>  | <b>Заява про відповідність ЄС</b>                 |                    | Мизявляємо під нашу одноособову відповідальність, що названі вироби відповідають усім чинним положенням нижчеозначених директив і розпоряджень, а також нижчеозначеним нормам.<br>Технічна документація зберігається у: ★   |
|            | <b>Ударний дріль із безщітковим мотором</b>       | Товарний номер     |   |



|       |  |  |
|-------|--|--|
| (GR)  | <b>Δήλωση πιστότητας EE</b><br><b>Κρουστικό δράπανο χωρίς ψήκτρες</b><br>Αριθμός ευρετηρίου                      | Δηλώνουμε με αποκλειστική μας ευθύνη, ότι τα αναφερόμενα προϊόντα αντιστοιχούν σε όλες τις σχετικές διατάξεις των πιο κάτω αναφερόμενων οδηγιών και κανονισμών και ταυτίζονται με τα ακόλουθα πρότυπα.<br>Τεχνικά έγγραφα στη: *                             |
| (RO)  | <b>Declarație de conformitate UE</b><br><b>Mașină de găurit cu percusție fără perii</b><br>Număr de identificare | Declarăm pe proprie răspundere că produsele menționate corespund tuturor dispozițiilor relevante ale directivelor și reglementărilor enumerate în cele ce urmează și sunt în conformitate cu următoarele standarde.<br>Documentație tehnică la: *            |
| (BG)  | <b>ЕС декларация за съответствие</b><br><b>Безчетнова ударна бормашина</b><br>Каталожен номер                    | С пълна отговорност ние декларираме, че посочените продукти отговарят на всички валидни изисквания на директивите и разпоредбите по-долу и съответства на следните стандарти.<br>Техническа документация при: *  |
| (SK)  | <b>EU vyhlásenie o zhode</b><br><b>Bezkontaktná príklepová vŕtačka</b><br>Vecné číslo                            | Vyhlasujeme na výhradnú zodpovednosť, že uvedený výrobok spĺňa všetky príslušné ustanovenia nižšie uvedených smerníc a nariadení a je v súlade s nasledujúcimi normami.<br>Technické podklady má spoločnosť: *   |
| (HR)  | <b>EU izjava o skladnosti</b><br><b>Udarna bušilica bez četkica</b><br>Kataloški broj                            | Pod punom odgovornošću izjavljujemo da navedeni proizvođači odgovaraju svim relevantnim odredbama direktiva i propisima navedenima u nastavku i da su skladni sa sljedećim normama.<br>Tehnička dokumentacija se može dobiti kod: *                          |
| (SRB) | <b>EU-izjava o usaglašenosti</b><br><b>Udarna bušilica bez četkica</b><br>Broj predmeta                          | Na sopstvenu odgovornost izjavljujemo, da navedeni proizvođači odgovaraju svim dotičnim odredbama naknadno navedenih smernica u uredbama i da su u skladu sa sledećim standardima.<br>Tehnička dokumentacija kod: *  |
| (SLO) | <b>Izjava o skladnosti ES</b><br><b>Brezkrtačni udarni vrtalnik</b><br>Številka artikla                          | Izjavljamo pod izključno odgovornostjo, da je omenjen izdelek v skladu z vsemi relevantnimi določili direktiv in uredb ter ustreza naslednjim standardom.<br>Tehnična dokumentacija pri: *   |
| (EST) | <b>EL-vastavusdeklaratsioon</b><br><b>Harjadeta löökpuur</b><br>Tootenumber                                      | Kinnitame ainuvastutajatena, et nimetatud tooted vastavad järgnevalt loetletud direktiivide ja määruste kõikidele asjaomastele nõuetele ja on kooskõlas järgmistele normidega.<br>Tehnilised dokumendid saadaval: *  |
| (LV)  | <b>Deklarācija par atbilstību EK standartiem</b><br><b>Bezkontakta triecienurbjmašina</b><br>Izstrādājuma numurs | Mēs ar pilnu atbildību paziņojam, ka šeit aplūkotie izstrādājumi atbilst visiem tālāk minētajās direktīvās un rīkojumos ietvertajām saistošajām nostādņēm, kā arī sekojošiem standartiem.<br>Tehnisķā dokumentācija no: *                                    |
| (LT)  | <b>ES atitikties deklaracija</b><br><b>Smūginis gręžtuvas su besepečiu varikliu</b><br>Gaminio numeris           | Atsakingai pareiškiame, kad išvardyti gaminiai atitinka visus privalomus žemiau nurodytų direktyvų ir reglamentų reikalavimus ir šiuos standartus.<br>Techninė dokumentacija saugoma: *  |
| (MK)  | <b>EU-Изјава за сообразност</b><br><b>Ударна дупчалка без четки</b><br>Број на артикл                            | Со целосна одговорност изјавуваме, дека опишаните производи се во согласност со сите релевантни одредби на следните регулативи и прописи и се во согласност со следните норми.<br>Техничка документација кај: *  |
| (AL)  | <b>EU Deklarata e konformitetit</b><br><b>Trapan me goditje pa karbonçina</b><br>Numri i nenit                   | Ne deklarojmë me përgjegjësinë tonë të vetme se produktet e paraqitura janë në përputhje me të gjitha dispozitat e zbatueshme të direktivave dhe rregulloreve të listuara më poshtë dhe janë në përputhje me standardet si më poshtë.<br>Dosja teknike në: * |

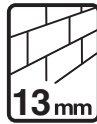
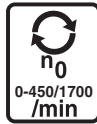
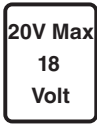
|             |            |                                    |  |
|-------------|------------|------------------------------------|--|
| <b>3021</b> | CD1*3021** | 2006/42/EC                         | EN 62841-1: 2015+A11:2022  |
|             |            | 2014/30/EU                         | EN 62841-2-1: 2018+A11:2019  |
|             |            | 2011/65/EU                         | EN 55014-1:2021  |
|             |            |                                    | EN 55014-2:2021  |
|             |            |                                    | EN 63000:2018  |
|             |            | <b>SKIL</b> *                      | Skil BV<br>Rithmeesterpark 22 A1<br>4838 GZ Breda<br>The Netherlands |
|             |            | Olaf Dijkgraaf<br>Approval Manager |  |
|             |            |                                    | Skil BV, Rithmeesterpark 22 A1, 4838 GZ Breda, NL<br>21.09.2023      |



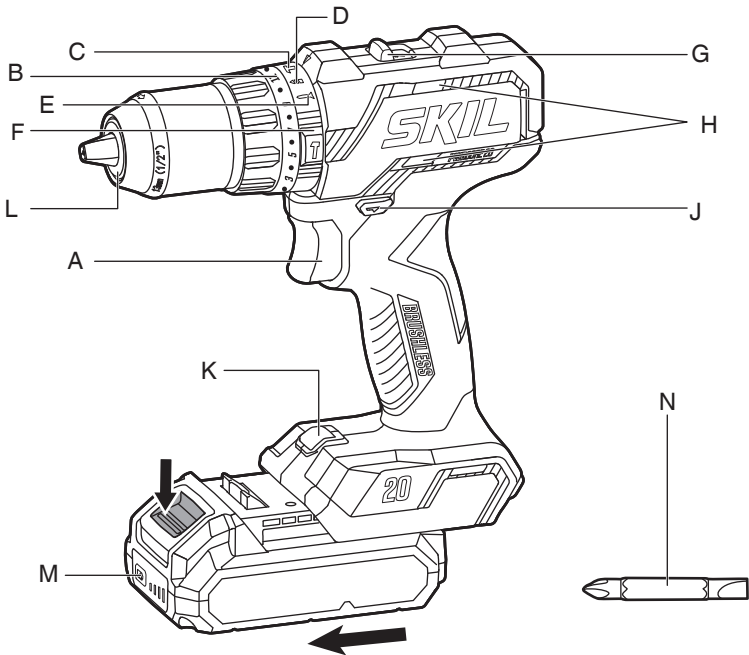
|                                  |                |  |
|----------------------------------|----------------|--|
| <b>Declaration of Conformity</b> |                | We declare under our sole responsibility that the stated products comply with all applicable provisions of the directives and regulations listed below and are in conformity with the following standards  |
| <b>Brushless impact drill</b>    | Article number | Technical file at:<br>Chervon Europe Ltd., 34 Bridge Street, Reading, RG1 2LU, United Kingdom  |
| <b>3021</b>                      | CD1*3021**     | Supply of Machinery (Safety) Regulations 2008 (SI 2008/1597)<br>Electromagnetic Compatibility Regulations 2016 (SI 2016/1091)<br>The Restriction of the Use of Certain Hazardous Substances in Electrical and Electronic Equipment Regulations 2012 (SI 2012/3032)<br><br>EN 62841-1: 2015+A11:2022<br>EN 62841-2-1:2018+A11:2019<br><br>EN 55014-1:2021<br>EN 55014-2:2021<br><br>EN 63000:2018 |
|                                  |                | <b>SKIL</b> ® Chervon Europe Ltd., 34 Bridge Street, Reading, RG1 2LU, United Kingdom, as authorized representative (in terms of above regulations) acting on behalf of Skil BV, Rithmeesterpark 22 A1, 4838GZ Breda, The Netherlands  |
|                                  |                | James McCrory<br>Technical Service Manager<br><br><br><br>Place of issue: Reading<br>Date of issue: 14/09/2023  |

1

3021



2



3



4

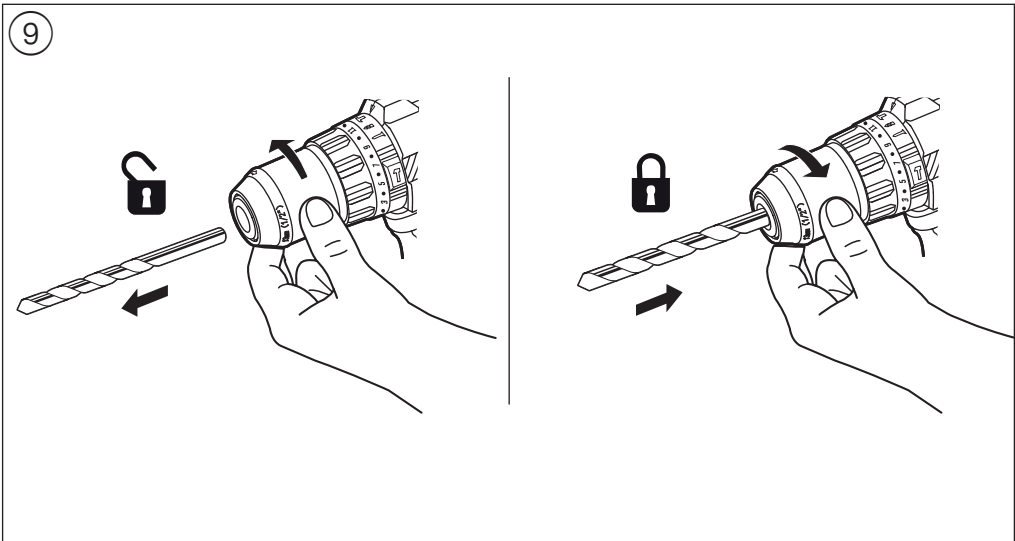
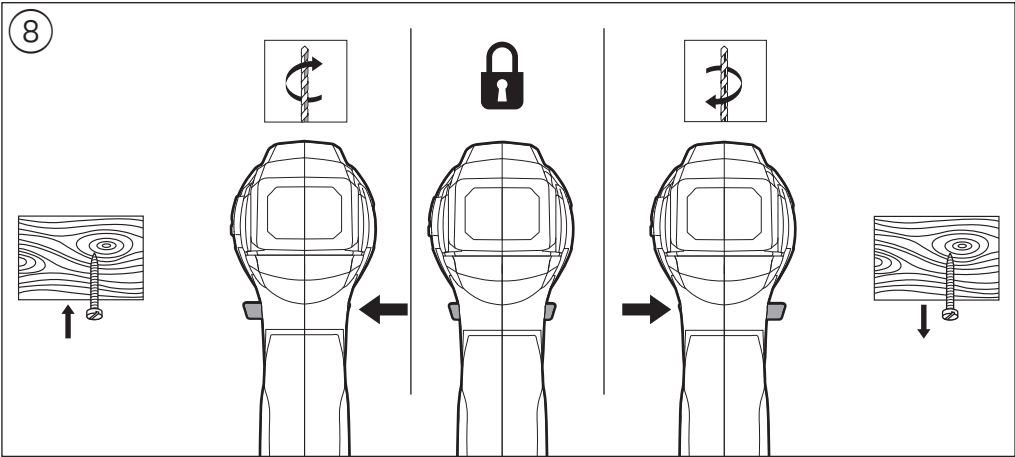
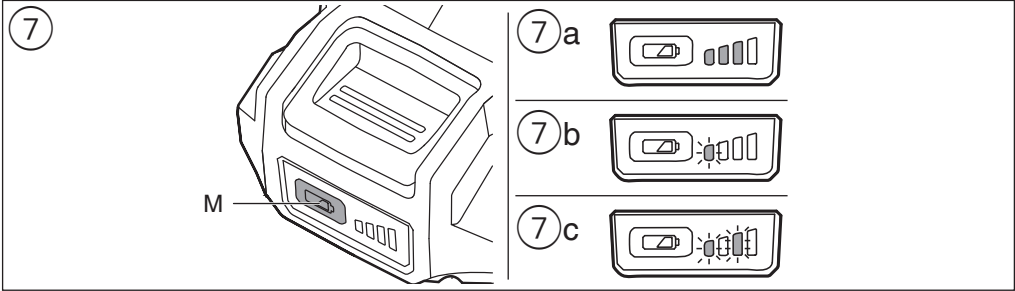


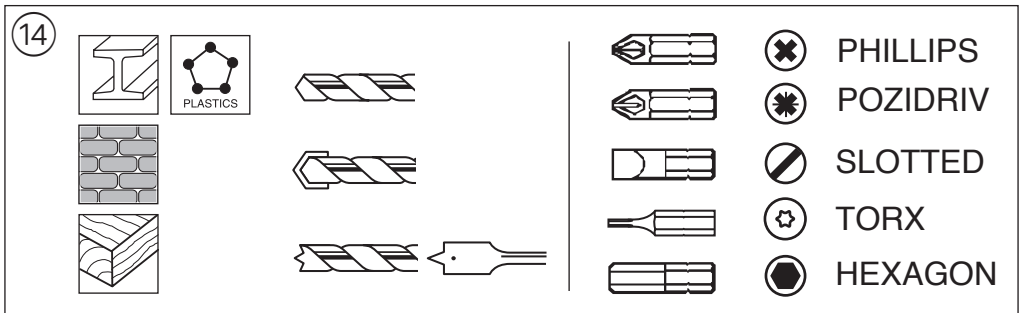
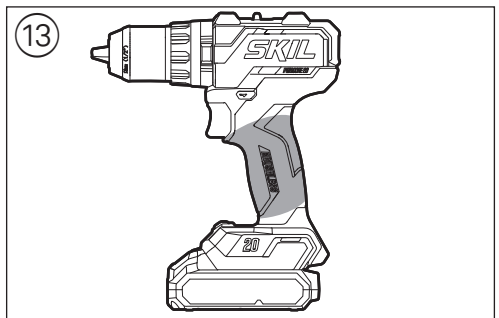
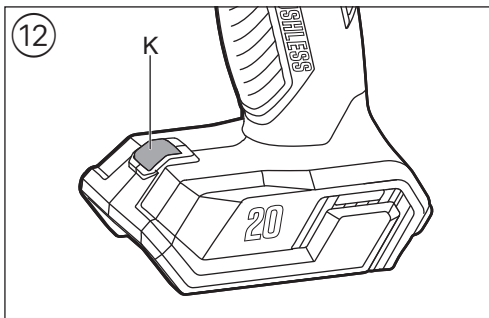
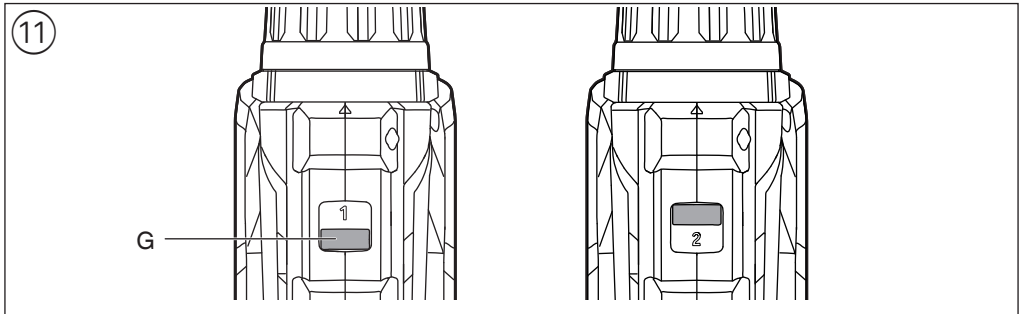
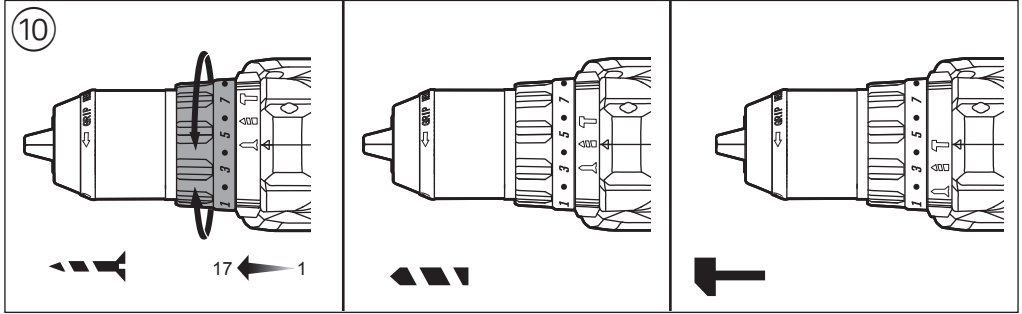
5



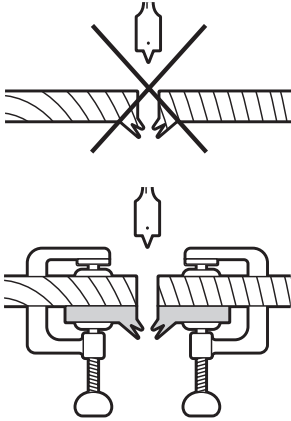
6



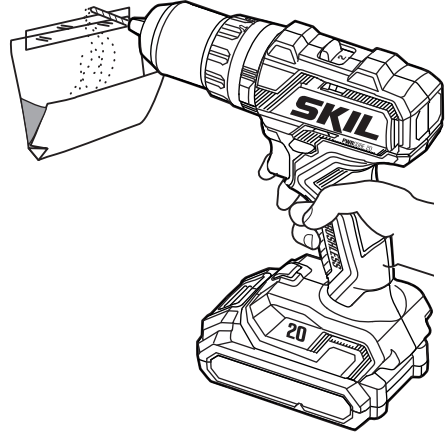




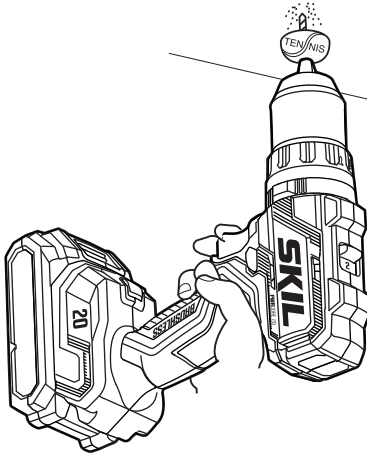
15



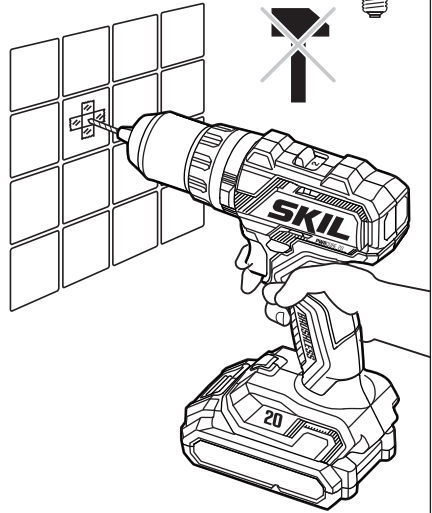
16



17



18



ACCESSORIES



WWW.SKIL.COM



## INTRODUCTION

- This tool is intended for tightening and loosening screws, as well as for drilling in wood, ceramic and plastic and for impact drilling in brick.
- This tool is not intended for professional use.
- Read and save this instruction manual. ③

## TECHNICAL DATA ①

Max. torque for hard screwdriving application according to ISO 5393 : 55 Nm

## TOOL ELEMENTS ②

- A Switch for on/off and speed control
- B Ring for torque control
- C Impact drilling position
- D Drilling position
- E Screwdriving position
- F Switch for changing function
- G Gear selector
- H Ventilation slots
- J Switch for changing direction of rotation
- K WORKLIGHT
- L Chuck
- M Battery level indicator button
- N Double-ended bit

## SAFETY

### GENERAL POWER TOOL SAFETY WARNINGS

**⚠ WARNING** Read all safety warnings, instructions, illustrations and specifications provided with this power tool. Failure to follow all instructions listed below may result in electric shock, fire and/or serious injury.

Save all warnings and instructions for future reference.

The term "power tool" in the warnings refers to your mainsoperated (corded) power tool or battery-operated (cordless) power tool.

#### 1) WORK AREA SAFETY

- a) **Keep work area clean and well lit.** Cluttered or dark areas invite accidents.
- b) **Do not operate power tools in explosive atmospheres, such as in the presence of flammable liquids, gases or dust.** Power tools create sparks which may ignite the dust or fumes.
- c) **Keep children and bystanders away while operating a power tool.** Distractions can cause you to lose control.

#### 2) ELECTRICAL SAFETY

- a) **Power tool plugs must match the outlet. Never modify the plug in any way. Do not use any adapter plugs with earthed (grounded) power tools.**

Unmodified plugs and matching outlets will reduce risk of electric shock.

- b) **Avoid body contact with earthed or grounded surfaces such as pipes, radiators, ranges and refrigerators.** There is an increased risk of electric shock if your body is earthed or grounded.
- c) **Do not expose power tools to rain or wet conditions.** Water entering a power tool will increase the risk of electric shock.
- d) **Do not abuse the cord. Never use the cord for carrying, pulling or unplugging the power tool. Keep cord away from heat, oil, sharp edges or moving parts.** Damaged or entangled cords increase the risk of electric shock.
- e) **When operating a power tool outdoors, use an extension cord suitable for outdoor use.** Use of a cord suitable for outdoor use reduces the risk of electric shock.
- f) **If operating a power tool in a damp location is unavoidable, use a residual current device (RCD) protected supply.** Use of an RCD reduces the risk of electric shock.

#### 3) PERSONAL SAFETY

- a) **Stay alert, watch what you are doing and use common sense when operating a power tool.** Do not use a power tool while you are tired or under the influence of drugs, alcohol or medication. A moment of inattention while operating power tools may result in serious personal injury.
- b) **Use personal protective equipment. Always wear eye protection.** Protective equipment such as a dust mask, non-skid safety shoes, hard hat, or hearing protection used for appropriate conditions will reduce personal injuries.
- c) **Prevent unintentional starting. Ensure the switch is in the off-position before connecting to power source and/or battery pack, picking up or carrying the tool.** Carrying power tools with your finger on the switch or energising power tools that have the switch on invites accidents.
- d) **Remove any adjusting key or wrench before turning the power tool on.** A wrench or a key left attached to a rotating part of the power tool may result in personal injury.
- e) **Do not overreach. Keep proper footing and balance at all times.** This enables better control of the power tool in unexpected situations.
- f) **Dress properly. Do not wear loose clothing or jewellery. Keep your hair and clothing away from moving parts.** Loose clothes, jewellery or long hair can be caught in moving parts.
- g) **extraction and collection facilities, ensure these are connected and properly used.** Use of dust collection can reduce dust-related hazards.
- h) **Do not let familiarity gained from frequent use of tools allow you to become complacent and ignore tool safety principles.** A careless action can cause severe injury within a fraction of a second.

#### 4) POWER TOOL USE AND CARE

- a) **Do not force the power tool. Use the correct power tool for your application.** The correct power tool will do the job better and safer at the rate for which it was designed.

- b) **Do not use the power tool if the switch does not turn it on and off.** Any power tool that cannot be controlled with the switch is dangerous and must be repaired.
  - c) **Disconnect the plug from the power source and/ or remove the battery pack, if detachable, from the power tool before making any adjustments, changing accessories, or storing power tools.** Such preventive safety measures reduce the risk of starting the power tool accidentally.
  - d) **Store idle power tools out of the reach of children and do not allow persons unfamiliar with the power tool or these instructions to operate the power tool.** Power tools are dangerous in the hands of untrained users.
  - e) **Maintain power tools and accessories. Check for misalignment or binding of moving parts, breakage of parts and any other condition that may affect the power tool's operation. If damaged, have the power tool repaired before use.** Many accidents are caused by poorly maintained power tools.
  - f) **Keep cutting tools sharp and clean.** Properly maintained cutting tools with sharp cutting edges are less likely to bind and are easier to control.
  - g) **Use the power tool, accessories and tool bits etc., in accordance with these instructions, taking into account the working conditions and the work to be performed.** Use of the power tool for operations different from those intended could result in a hazardous situation.
  - h) **Keep handles and grasping surfaces dry, clean and free from oil and grease.** Slippery handles and grasping surfaces do not allow for safe handling and control of the tool in unexpected situations.
- 5) BATTERY TOOL USE AND CARE**
- a) **Recharge only with the charger specified by the manufacturer.** A charger that is suitable for one type of battery pack may create a risk of fire when used with another battery pack.
  - b) **Use power tools only with specifically designated battery packs.** Use of any other battery packs may create a risk of injury and fire.
  - c) **When battery pack is not in use, keep it away from other metal objects like paper clips, coins, keys, nails, screws, or other small metal objects that can make a connection from one terminal to another.** Shorting the battery terminals together may cause burns or a fire.
  - d) **Under abusive conditions, liquid may be ejected from the battery; avoid contact. If contact accidentally occurs, flush with water. If liquid contacts eyes, additionally seek medical help.** Liquid ejected from the battery may cause irritation or burns.
  - e) **e) or modified.** Damaged or modified batteries may exhibit unpredictable behaviour resulting in fire, explosion or risk of injury.
  - f) **Do not expose a battery pack or tool to fire or excessive temperature.** Exposure to fire or temperature above 130°C may cause explosion.
  - g) **Follow all charging instructions and do not charge the battery pack or tool outside the temperature range specified in the instructions.** Charging improperly or at temperatures outside the specified range may damage the battery and increase the risk of fire.
- 6) SERVICE**

- a) **Have your power tool serviced by a qualified repair person using only identical replacement parts.** This will ensure that the safety of the power tool is maintained.
- b) **Never service damaged battery packs.** Service of battery packs should only be performed by the manufacturer or authorized service providers.

## **SAFETY INSTRUCTIONS FOR CORDLESS HAMMER DRILL**

### **1) SAFETY INSTRUCTIONS FOR ALL OPERATIONS**

- a) **Wear ear protectors when impact drilling.** Exposure to noise can cause hearing loss.
- b) **Hold the power tool by insulated gripping surfaces, when performing an operation where the cutting accessory or fastener may contact hidden wiring.** Cutting accessory and fasteners contacting a "live" wire may make exposed metal parts of the power tool "live" and could give the operator an electric shock.

### **2) SAFETY INSTRUCTIONS WHEN USING LONG DRILL BITS**

- a) **Never operate at higher speed than the maximum speed rating of the drill bit.** At higher speeds, the bit is likely to bend if allowed to rotate freely without contacting the workpiece, resulting in personal injury.
- b) **Always start drilling at low speed and with the bit tip in contact with the workpiece.** At higher speeds, the bit is likely to bend if allowed to rotate freely without contacting the workpiece, resulting in personal injury.
- c) **Apply pressure only in direct line with the bit and do not apply excessive pressure.** Bits can bend causing breakage or loss of control, resulting in personal injury.

### **GENERAL**

- Dust from material such as paint containing lead, some wood species, minerals and metal may be harmful (contact with or inhalation of the dust may cause allergic reactions and/or respiratory diseases to the operator or bystanders); **wear a dust mask and work with a dust extraction device when connectable**
- Certain kinds of dust are classified as carcinogenic (such as oak and beech dust) especially in conjunction with additives for wood conditioning; **wear a dust mask and work with a dust extraction device when connectable**
- Follow the dust-related national requirements for the materials you want to work with
- **Do not work materials containing asbestos** (asbestos is considered carcinogenic)
- Ensure that switch J② is in the middle (locking) position before making any adjustments or changing accessories as well as when carrying or storing the tool

### **ACCESSORIES**

- SKIL can assure flawless functioning of the tool only when original accessories are used
- Use only accessories with an allowable speed matching at least the highest no-load speed of the tool

### **BEFORE USE**

- Avoid damage that can be caused by screws, nails and other elements in your workpiece; remove them before you start working
- **Secure the workpiece** (a workpiece clamped with clamping devices or in a vice is held more securely than by hand)
- **Use suitable detectors to find hidden utility lines**

**or call the local utility company for assistance**  
(contact with electric lines can lead to fire or electrical shock; damaging a gas line can result in an explosion; penetrating a water pipe will cause property damage or an electrical shock)

## BATTERIES

- **The battery supplied, if any, is partially charged** (to ensure full capacity of the battery, completely charge the battery in the battery charger before using your power tool for the first time)
- **Only use the following batteries and chargers with this tool**
  - SKIL battery: BR1\*31\*\*\*\*
  - SKIL charger: CR1\*31\*\*\*\*
- Do not use battery when damaged; it should be replaced immediately
- Do not disassemble the battery
- Do not expose tool/battery to rain
- Permitted ambient temperature (tool/charger/battery):
  - when charging 4...40°C
  - during operation -20...+50°C
  - during storage -20...+50°C

## EXPLANATION OF SYMBOLS ON TOOL/BATTERY

- ③ Read the instruction manual before use
- ④ Batteries may explode when disposed of in fire, so do not burn battery for any reason
- ⑤ Store tool/charger/battery in locations where temperature will not exceed 50°C
- ⑥ Do not dispose of electric tools and batteries together with household waste material

## USE

- Combined switch for on/off and speed control **A** ②
  - control the speed steplessly from zero to maximum by putting less or more pressure on the trigger
- Charging battery
  - ! **read the safety warnings and instructions provided with the charger**
- Removing/installing the battery ②
- Battery level indicator ⑦
  - press the battery level indicator button M to show the current battery level ⑦a
  - ! **when the lowest level of the battery indicator starts flashing after pressing button M ⑦b, the battery is empty**
  - ! **when 2 levels of the battery indicator start flashing after pressing button M ⑦c, the battery is not within the allowable operating temperature range**
- Changing direction of rotation ⑧
  - when not properly set in left/right position, switch **A** ② cannot be activated
  - ! **change direction of rotation only when tool is at a complete standstill**
- Changing bits ⑨
  - ! **do not use bits with a damaged shank**
- Torque control (VariTorque) ⑩
  - output torque will increase as clutch ring **B** is rotated from 1 to 17
  - when turning in a screw, first try VariTorque position 1 and increase until the desired depth has been reached
  - position **D** will lock up the clutch to permit (non-impact) drilling or driving heavy-duty work
  - position **C** will lock up the clutch to permit impact

drilling only

- ! **ensure that gear selector G is in position 2 when function selector F is in impact drilling position**
- ! **do not use impact drilling position C for drilling in wood, metal, ceramic and plastic to prevent the drill/screw bit from being damaged**

- Mechanical gear selection ⑪
  - set selector **G** to desired speed
  - ! **actuate the gear selector while tool is running slowly**
- 1
  - low speed
  - high torque
  - for screwdriving and drilling large diameters
  - for tapping thread
- 2
  - high speed
  - lower torque
  - for impact drilling
  - for drilling small diameters
- WORKLIGHT **K** ⑫
  - WORKLIGHT **K** will illuminate when the tool is turned on.
  - ! **when WORKLIGHT starts flashing, the battery protection is activated (see below)**
- Battery protection
  - The tool is suddenly being switched off or prevented from being switched on, when
    - **the load is too high** --> remove load and restart
    - **the battery temperature is not within the allowable operating temperature range of -20 to +50°C** --> 2 levels of the battery level indicator start flashing when pressing button **M** ⑦c; wait until battery has returned within the allowable operating temperature range
    - **the battery is nearly empty (to protect against deep discharge)** --> a low battery level or flashing low battery level ⑦b is shown by the battery level indicator when pressing button **M**; charge battery
  - ! **do not continue to press the on/off switch after the tool is switched off automatically; battery may be damaged**
- Holding and guiding the tool ⑬
  - ! **while working, always hold the tool at the grey-coloured grip area(s)**
  - keep ventilation slots **H** ② uncovered
  - do not apply too much pressure on the tool; let the tool do the work for you

## APPLICATION ADVICE

- Use the appropriate bits ⑭
  - ! **only use sharp bits**
- When drilling ferrous metals
  - pre-drill a smaller hole, when a large hole is required
  - lubricate drill bit occasionally with oil
- When turning in a screw at/near the cross cut end or an edge of wood, pre-drill a hole in order to avoid cracking of the wood
- For an optimal use of the tool a steady pressure on the screw is required, especially while removing
- When screwdriving in hard wood one should pre-drill a hole
- Splinterfree drilling in wood ⑮
- Dustfree drilling in walls ⑯

- Dustfree drilling in ceilings ⑦
- Drilling in tiles without skidding ⑧
- For more information see [www.skil.com](http://www.skil.com)

## MAINTENANCE / SERVICE

- This tool is not intended for professional use
- Always keep tool clean (especially ventilation slots H ②)  
**! remove battery from tool before cleaning**
- If the tool should fail despite the care taken in manufacturing and testing procedures, repair should be carried out by an after-sales service centre for SKIL power tools
  - send the tool undismantled together with proof of purchase to your dealer or the nearest SKIL service station (addresses as well as the service diagram of the tool are listed on [www.skil.com](http://www.skil.com))
- Be aware that damage due to overload or improper handling of the tool will be excluded from the warranty (for the SKIL warranty conditions see [www.skil.com](http://www.skil.com) or ask your dealer)

## ENVIRONMENT

Only for EU countries

- Do not dispose of electric tools, accessories and packaging together with household waste material
  - in observance of European Directive 2012/19/EC on waste of electric and electronic equipment and its implementation in accordance with national law, electric tools that have reached the end of their life must be collected separately and returned to an environmentally compatible recycling facility
  - symbol ⑥ will remind you of this when the need for disposing occurs

**! prior to disposal protect battery terminals with heavy tape to prevent short-circuit**

Only for UK

- Do not dispose of electric tools, accessories and packaging together with household waste material
  - in observance of on Waste Electric and Electronic Equipment Regulations 2013 (SI 2013/3113), electric tools that have reached the end of their life must be collected separately and returned to an environmentally compatible recycling facility
  - symbol ⑥ will remind you of this when the need for disposing occurs

**! prior to disposal protect battery terminals with heavy tape to prevent short-circuit**

## NOISE / VIBRATION

- Measured in accordance with EN 62841 the sound pressure level of this tool is 90 dB(A) and the sound power level 98 dB(A) (uncertainty K = 5 dB), and the vibration \* (tri-ax vector sum; uncertainty K = 1.5 m/s<sup>2</sup>)
  - \* when drilling in metal 12.41 m/s<sup>2</sup>
  - \* when impact drilling in concrete 14.49 m/s<sup>2</sup>
- The vibration emission level has been measured in accordance with a standardised test given in EN 62841; it may be used to compare one tool with another and as a preliminary assessment of exposure to vibration when using the tool for the applications mentioned
  - using the tool for different applications, or with different or poorly maintained accessories, may significantly

**increase** the exposure level

- the times when the tool is switched off or when it is running but not actually doing the job, may significantly **reduce** the exposure level

**! protect yourself against the effects of vibration by maintaining the tool and its accessories, keeping your hands warm, and organizing your work patterns**

F

## Perceuse à percussion sans balais

3021

## INTRODUCTION

- Cet outil est destiné au serrage et au desserrage des vis, au perçage dans le bois, la céramique et le plastique et au perçage à percussion dans la brique.
- Cet outil n'est pas conçu pour un usage professionnel.
- Lisez et conservez ce mode d'emploi. ③

## DONNÉES TECHNIQUES ①

Couple max. pour vissage dans des matériaux durs selon ISO 5393 : 55 Nm

## PIÈCES DE L'OUTIL ②

- A Interrupteur de marche/arrêt et réglage de vitesse
- B Anneau pour réglage du couple
- C Position de perçage à percussion
- D Position de perçage
- E Position de vissage
- F Interrupteur pour changer de fonction
- G Commutateur de vitesse
- H Fentes de ventilation
- J Commutateur pour inverser le sens de rotation
- K LAMPE DE TRAVAIL
- L Mandrin
- M Bouton de l'indicateur de niveau de batterie
- N Embout à double extrémité

## SÉCURITÉ

### CONSIGNES DE SÉCURITÉ GÉNÉRALES POUR L'OUTIL ÉLECTRIQUE

**⚠ AVERTISSEMENT Lisez toutes les consignes de sécurité, les instructions, les illustrations et les spécifications de sécurité fournies avec cet outil électrique.** Le non-respect des consignes figurant ci-dessous peut provoquer un choc électrique, un incendie et/ou des blessures graves.

**Conservez tous les avertissements et instructions pour pouvoir vous y référer ultérieurement.**

Le terme « outil électrique » utilisé dans les consignes de sécurité désigne votre outil électrique fonctionnant sur secteur (filaire) ou sur batterie (sans fil).

### 1) SÉCURITÉ DE L'AIRE DE TRAVAIL

- a) Maintenez l'aire de travail propre et bien éclairée.

Les endroits sombres ou désordonnés augmentent les risques d'accident.

**b) N'utilisez pas les outils électriques dans des atmosphères explosives, par exemple en présence de liquides, gaz ou poussières inflammables.** Les outils électriques génèrent des étincelles pouvant enflammer les poussières et les vapeurs.

**c) Veillez à ce que les enfants et les autres personnes restent éloignés pendant l'utilisation d'un outil électrique.** Un moment d'inattention peut vous faire perdre le contrôle de l'outil.

## 2) SÉCURITÉ ÉLECTRIQUE

**a) La fiche de l'outil électrique doit correspondre à la prise électrique. Ne modifiez jamais la prise de quelque manière que ce soit. N'utilisez jamais d'adaptateur de prise avec les outils électriques pourvus d'une mise à la terre ou à la masse.**

Les fiches non modifiées et les prises électriques appropriées réduisent le risque de choc électrique.

**b) Évitez tout contact physique avec des surfaces mises à la terre ou mises à la masse, telles que tuyaux, radiateurs, fours et réfrigérateurs.** Il y a un risque accru de choc électrique si votre corps est relié à la terre ou à la masse, directement ou indirectement.

**c) N'exposez pas les outils électriques à la pluie ou à un environnement mouillé.** Si de l'eau pénètre dans un outil électrique, cela accroît le risque de choc électrique.

**d) Prenez soin du câble d'alimentation. N'utilisez jamais le câble d'alimentation pour porter, tirer ou débrancher l'outil électrique. Veillez à ce que le câble d'alimentation n'entre jamais en contact avec de l'huile, des pièces mobiles, des arêtes tranchantes, et ne soit jamais exposé à de la chaleur.** Les câbles d'alimentation endommagés ou emmêlés augmentent le risque de choc électrique.

**e) Quand vous utilisez un outil électrique en extérieur, utilisez une rallonge électrique adaptée à un usage en extérieur.** L'utilisation d'une rallonge conçue pour un usage en extérieur permet de réduire le risque de choc électrique.

**f) Si vous êtes obligé d'utiliser un outil électrique dans un endroit humide, utilisez une alimentation protégée par un dispositif différentiel à courant résiduel (DDR).** L'utilisation d'un DDR réduit le risque de choc électrique.

## 3) SÉCURITÉ DES PERSONNES

**a) Restez vigilant, soyez attentif à ce que vous faites et faites preuve de bon sens lors de l'utilisation d'un outil électrique.** N'utilisez pas un outil électrique quand vous êtes fatigué ou sous l'emprise de l'alcool, de stupéfiants ou de médicaments. Un moment d'inattention pendant l'utilisation des outils électriques peut provoquer des blessures corporelles graves.

**b) Utilisez des équipements de protection individuelle. Portez toujours une protection oculaire.** L'utilisation d'équipements de protection appropriés aux conditions de travail, tels que masque antipoussières, chaussures de sécurité antidérapantes, casque et protections auditives, permet de réduire les risques de blessures corporelles.

**c) Évitez les démarrages accidentels. Vérifiez que l'interrupteur marche/arrêt est dans la position arrêt avant de brancher l'outil dans une prise**

**électrique et/ou une batterie, de le saisir ou de le transporter.** Transporter un outil électrique les doigts sur son interrupteur marche/arrêt ou le brancher dans une alimentation électrique alors que son interrupteur marche/arrêt est dans la position marche favorise les accidents.

**d) Retirez toutes les clés de réglage et de serrage avant de mettre l'outil électrique en marche.** Une clé de réglage ou de serrage laissée sur une pièce rotative de l'outil électrique peut provoquer des blessures corporelles.

**e) N'essayez pas de travailler des endroits difficiles à atteindre. Conservez en permanence des appuis des pieds solides et un bon équilibre.** Cela permet un meilleur contrôle de l'outil électrique en cas de situations inattendues.

**f) Portez une tenue adaptée. Ne portez pas de vêtements amples ni de bijoux. Maintenez vos cheveux et vos vêtements éloignés des pièces mobiles.** Les vêtements amples, les bijoux et les cheveux longs peuvent se prendre dans les pièces mobiles.

**g) Si un outil est conçu pour être utilisé avec des dispositifs d'extraction et de récupération des poussières, veillez à ce que ces dispositifs soient raccordés et correctement utilisés.** L'utilisation de dispositifs de récupération des poussières permet de réduire les risques liés aux poussières.

**h) Veillez à ne pas devenir trop sûr de vous et ne cessez pas de respecter les principes de sécurité même si vous vous sentez familiarisé à l'utilisation de l'outil.** La négligence peut provoquer des blessures graves en une fraction de seconde.

## 4) UTILISATION ET ENTRETIEN DE L'OUTIL ÉLECTRIQUE

**a) Ne forcez pas l'outil électrique. Utilisez l'outil électrique qui convient au travail que vous voulez effectuer.** L'utilisation d'un outil qui convient au travail à effectuer permet de réaliser ce travail plus efficacement, avec une sécurité accrue et au rythme pour lequel l'outil a été conçu.

**b) N'utilisez pas l'outil électrique si son interrupteur marche/arrêt ne permet pas de l'allumer et de l'éteindre.** Tout outil électrique qui ne peut pas être contrôlé par son interrupteur marche/arrêt est dangereux et doit être réparé.

**c) Débranchez le câble de l'alimentation électrique et/ou retirez la batterie, si amovible, de l'outil électrique avant tout réglage ou changement d'accessoire, et avant de ranger l'outil électrique.** Cette mesure de sécurité préventive réduit le risque de démarrage accidentel de l'outil électrique.

**d) Rangez les outils électriques non utilisés hors de portée des enfants. N'autorisez pas les personnes non familiarisées avec l'outil électrique ou ce manuel d'utilisation à l'utiliser.** Les outils électriques sont dangereux dans les mains de personnes inexpérimentées.

**e) Entretenez les outils électriques et les accessoires. Inspectez-les pour vérifier qu'aucune pièce mobile n'est grippée ou mal alignée, qu'aucune pièce n'est cassée, et pour tout autre problème qui pourrait affecter leur fonctionnement. Si un outil électrique**

est endommagé, il doit être réparé avant d'être réutilisé. Beaucoup d'accidents sont dus à des outils électriques mal entretenus.

- f) **Veillez à ce que les accessoires de coupe restent affûtés et propres.** Des accessoires de coupe bien entretenus et bien affûtés risquent moins de se coincer et sont plus faciles à contrôler.
- g) **Utilisez l'outil électrique, ses accessoires, mèches/ embouts et toutes les autres pièces conformément aux présentes instructions, en prenant en compte les conditions d'utilisation et le travail à effectuer.** Utiliser l'outil électrique à d'autres finalités que celles pour lesquelles il a été conçu peut engendrer des situations dangereuses.
- h) **Maintenez les poignées et surfaces de préhension propres, sèches et exemptes d'huile et de graisse.** Les poignées et surfaces de préhension glissantes ne permettent pas de tenir et de contrôler l'outil de manière sûre en cas de situations inattendues.
- 5) **UTILISATION ET ENTRETIEN DE L'OUTIL SUR BATTERIE**
- a) Rechargez la batterie exclusivement avec le chargeur spécifié par le fabricant. **Un chargeur adapté à un type de batterie en particulier peut présenter un risque d'incendie s'il est utilisé avec une batterie différente.**
- b) Utilisez les outils électriques exclusivement avec les batteries spécifiées. **L'utilisation de toute autre batterie peut engendrer un risque de blessures et d'incendie.**
- c) **Quand la batterie n'est pas utilisée, elle doit être rangée à l'écart d'objets métalliques, tels que les trombones, pièces de monnaie, clés, clous, vis et tous les autres petits objets métalliques pouvant mettre en contact ses bornes.** Mettre en court-circuit les bornes de la batterie peut provoquer des brûlures et un incendie.
- d) **En cas d'usage abusif, du liquide peut s'échapper de la batterie. Évitez tout contact avec ce liquide. En cas de contact accidentel, rincez à grande eau. En cas de contact avec les yeux, vous devez en outre consulter un médecin.** Le liquide qui s'échappe des batteries peut provoquer des irritations et des brûlures.
- e) **N'utilisez pas une batterie ou un outil endommagé ou modifié.** Les batteries modifiées ou endommagées peuvent avoir un comportement imprévisible provoquant un incendie, une explosion ou un risque de blessure.
- f) **N'exposez pas la batterie ou l'outil à des flammes ou à une température excessive.** L'exposition au feu ou à des températures supérieures à 130 °C peut provoquer une explosion.
- g) **Respectez toutes les instructions de recharge et ne rechargez pas la batterie ou l'outil hors de la plage de température spécifiée dans les instructions.** La recharge incorrecte ou à des températures hors de la plage spécifiée peut endommager la batterie et accroître le risque d'incendie.
- 6) **RÉPARATION**
- a) Faites réparer votre outil électrique par un réparateur qualifié qui ne doit utiliser que des pièces de rechange identiques. **Ceci permet de garantir la sûreté de l'outil électrique.**
- b) **Ne réparez jamais les batteries endommagées.** La

réparation des batteries doit toujours être effectuée par le fabricant ou des réparateurs agréés.

## CONSIGNES DE SÉCURITÉ POUR PERCEUSE À PERCUSSION SANS FIL

### 1) CONSIGNES DE SÉCURITÉ POUR TOUTES LES OPÉRATIONS

- a) **Portez une protection auditive lors d'un perçage à percussion.** L'exposition au bruit peut provoquer une perte d'acuité auditive.
- b) **Tenez l'outil électrique par ses surfaces de préhension isolantes quand vous effectuez un travail durant lequel l'accessoire de coupe ou de vissage risque d'entrer en contact avec des câbles électriques dissimulés.** Couper un accessoire et des éléments d'assemblage touchant un fil sous tension peut mettre sous tension les parties métalliques exposées, ce qui pourrait électrocuter l'utilisateur.
- 2) **INSTRUCTIONS DE SÉCURITÉ POUR L'UTILISATION DE FORETS LONGS**
- a) **Ne percez jamais à une vitesse supérieure à la vitesse maximale du foret.** A une vitesse trop élevée, le foret est susceptible de se courber s'il tourne librement sans toucher la pièce, entraînant des blessures corporelles.
- b) **Commencez toujours par percer à une vitesse réduite avec la pointe du foret contre la pièce.** A une vitesse trop élevée, le foret est susceptible de se courber s'il tourne librement sans toucher la pièce, entraînant des blessures corporelles.
- c) **Exercez une pression uniquement dans l'axe du foret et ne l'exercez pas de manière excessive.** Les forets peuvent se courber et se briser ou entraîner une perte de contrôle de l'appareil pouvant mener à des blessures corporelles.

### GENERALITES

- La poussière de matériaux, tels que la peinture contenant du plomb, certaines espèces de bois, certains minéraux et métaux, peut être nocive (le contact avec la poussière ou son inhalation peut provoquer des réactions allergiques et/ou des maladies respiratoires chez l'opérateur ou les personnes à proximité); **portez un masque antipoussières et travaillez si possible avec un dispositif d'extraction des poussières**
- Certains types de poussières sont classées comme étant cancérogènes (tels que la poussière de chêne ou de hêtre), en particulier en combinaison avec des additifs de traitement du bois; **portez un masque antipoussières et travaillez si possible avec un dispositif d'extraction des poussières**
- Suivez les directives nationales relatives au dépeussierage pour les matériaux à travailler
- **Ne travaillez pas avec des matériaux contenant de l'amiante** (l'amiante est considéré cancérogène)
- Vérifiez que l'interrupteur J(2) est sur la position du milieu (position de blocage) avant d'effectuer des réglages sur l'outil ou de changer des accessoires, ou de transporter ou ranger l'outil

### ACCESSOIRES

- SKIL ne peut se porter garant du bon fonctionnement de cet outil que s'il a été utilisé avec les accessoires d'origine
- La vitesse admissible des accessoires utilisées doit être

au moins aussi élevée que la vitesse à vide maximale de l'outil

#### AVANT L'USAGE

- Faites attention aux vis, clous ou autres éléments qui pourraient se trouver dans la pièce à travailler et qui risqueraient d'endommager très fortement votre outil; enlevez-les avant de commencer le travail
- **Fixez solidement la pièce** (une pièce fixée à l'aide de dispositifs de fixation ou d'un étau est mieux maintenue qu'à la main)
- **Utilisez des détecteurs appropriés afin de localiser les conduites dissimulées ou bien adressez-vous à votre fournisseur local** (un contact avec des lignes électriques peut provoquer un incendie ou une décharge électrique ; endommager une conduite de gaz peut entraîner une explosion ; endommager une conduite d'eau peut entraîner des dégâts matériels ou une décharge électrique)

#### BATTERIE

- **La batterie fournie, le cas échéant, est partiellement chargée** (pour garantir la capacité totale de la batterie, chargez-la intégralement dans le chargeur de batterie avant d'utiliser l'outil électrique pour la première fois).
- **Utilisez uniquement les batteries et les chargeurs suivants avec l'outil**
  - Batterie SKIL : BR1\*31\*\*\*\*
  - Chargeur SKIL : GR1\*31\*\*\*\*
- Ne pas utiliser la batterie lorsque celle-ci est endommagée; remplacez-la au plus vite
- Ne démontez pas la batterie
- N'exposez jamais l'outil/la batterie à la pluie
- Plage de températures autorisées (outil/chargeur/batterie):
  - pendant la charge 4...40°C
  - pendant le fonctionnement -20...+50°C
  - pour le stockage -20...+50°C

#### EXPLICATION DES SYMBOLES SUR L'OUTIL/LA

##### BATTERIE

- ③ Veuillez lire le mode d'emploi avant d'utiliser l'outil
- ④ La batterie explosera si elle est jetée au feu - ne la brûlez en aucun cas
- ⑤ Rangez l'outil/le chargeur/la batterie dans des endroits où la température n'excède pas 50°C
- ⑥ Ne jetez pas les outils électriques et les piles dans les ordures ménagères

#### UTILISATION

- Interrupteur combiné de marche/arrêt et de réglage de la vitesse A ②
  - contrôle de la vitesse de zero au maximum en appuyant plus ou moins sur la gâchette
- Chargement de la batterie
  - ! lisez les avertissements de sécurité et les instructions fournies avec le chargeur
- Retirer/Installer la batterie ②
- Indicateur de niveau de charge de la batterie ⑦
  - Appuyez sur le bouton indicateur de niveau de charge de la batterie M pour afficher le niveau de charge actuel a
  - ! si le niveau le plus bas de l'indicateur de batterie se met à clignoter après appui sur le bouton M ⑦b, la batterie est vide
  - ! si 2 niveaux de l'indicateur de batterie se mettent à clignoter après appui sur le bouton M ⑦c, la batterie n'est pas dans la plage de température de

#### fonctionnement autorisée

- Inversion du sens de rotation ⑧
  - quand l'outil n'est pas correctement réglé sur la position gauche/droite, l'interrupteur A ② ne peut pas être activé
  - ! inversez le sens de rotation uniquement lorsque l'outil est complètement à l'arrêt
- Changement des embouts ⑨
  - ! n'utilisez pas des embouts avec une tige endommagée
- Réglage du couple (VariTorque) ⑩
  - le couple de sortie augmentera si l'anneau d'embrayage B est tourné de 1 à 17
  - quand vous devez visser une vis, d'abord commencez en VariTorque position 1 et augmentez le couple jusqu'à la vis a atteint la profondeur désirée
  - la position D bloquera le couple pour permettre le perçage (sans percussion) et le vissage dans des matériaux durs
  - la position C bloquera le couple pour permettre le perçage à percussion uniquement
  - ! veillez à ce que le commutateur de vitesse G soit en position 2 lorsque la bague de sélection de fonction F est en position de perçage à percussion
  - ! n'utilisez pas la position de perçage à percussion C pour le perçage dans le bois, le métal, la céramique et le plastique pour éviter d'endommager la mèche/la vis
- Commutateur de vitesse ⑪
  - sélectionnez la vitesse souhaitée avec le commutateur G
  - ! actionnez le commutateur de vitesse lorsque l'outil fonctionne lentement
- 1
  - vitesse lente
  - couple élevé
  - pour visser et percer de larges diamètres
  - pour fileter
- 2
  - vitesse élevée
  - couple bas
  - pour percer de percussion
  - pour percer de petits diamètres
- WORKLIGHT K ⑫
  - LA LAMPE DE TRAVAIL K s'allumera lorsque l'outil est allumé.
  - ! lorsque la lampe de travail se met à clignoter, la protection de batterie est activée (voir ci-dessous)
- Protection de la batterie
  - L'outil est soudainement mis hors tension ou la mise sous tension est empêchée lorsque
    - la charge est trop élevée --> retirez la charge et redémarrez l'outil
    - la température de la batterie est hors de la plage de températures de fonctionnement autorisée de -20 à +50°C --> 2 niveaux de l'indicateur de niveau de charge de la batterie se mettent à clignoter lorsque vous appuyez sur le bouton M ⑦c ; attendez que la batterie soit revenue dans la plage de température de fonctionnement autorisée
    - la batterie est presque déchargée (pour empêcher qu'elle ne se décharge complètement) --> un niveau de batterie faible ou un niveau de batterie faible

clignotant ⑦b apparaît sur l'indicateur de charge de la batterie lorsque vous appuyez sur le bouton M ; chargez la batterie

**! ne continuez pas à appuyer sur l'interrupteur marche/arrêt après l'arrêt automatique de l'outil ; cela pourrait endommager la batterie**

- Tenue et guidage de l'outil ⑬

**! lorsque vous travaillez, tenez toujours l'outil par la**

**ou les zone(s) de préhension de couleur grise**

- veillez à ce que les fentes de ventilation H ② soient dégagées
- ne pas appuyez trop fortement sur l'outil; laissez l'outil travailler pour vous

## CONSEILS D'UTILISATION

- Utilisez les embouts appropriés ⑬
- ! utilisez seulement des embouts bien affûtés
- Quand vous percez des métaux ferreux
  - pour faire un gros trou, faites un avant-trou plus petit
  - lubrifiez le foret de temps en temps
- Quand vous devez visser une vis près d'une arête de bois ou à la fin d'une coupe transversale, il est préférable de faire un avant-trou afin d'éviter de faire craquer le bois
- Pour un usage optimal de l'outil une pression constante sur la visé est nécessaire, spécialement durant dévisser
- Quand vous devez visser une vis au bois dur, il est préférable de faire un avant-trou
- Perçage sans éclat dans le bois ⑮
- Perçage sans poussières dans les murs ⑯
- Perçage sans poussière dans les plafonds ⑰
- Perçage des carreaux sans glisser ⑱
- Pour plus d'informations, voir [www.skil.com](http://www.skil.com)

## ENTRETIEN / SERVICE APRES-VENTE

- Cet outil n'est pas conçu pour un usage professionnel
- Maintenez toujours l'outil propre (surtout les fentes de ventilation H ②)
  - ! retirez la batterie de l'outil avant de procéder au nettoyage**
- Si, malgré tous les soins apportés à la fabrication et au contrôle de l'outil, celui-ci devait avoir un défaut, la réparation ne doit être confiée qu'à une station de service après-vente agréée pour outillage SKIL
  - retournez l'outil non démonté avec votre preuve d'achat auprès du revendeur ou du service après-vente SKIL le plus proche (les adresses ainsi que la vue élargie de l'outil figurent sur [www.skil.com](http://www.skil.com))
- Veuillez noter que tout dégât causé par une surcharge ou une mauvaise utilisation de l'outil ne sera pas couvert par la garantie (pour connaître les conditions de la garantie SKIL, surfez sur [www.skil.com](http://www.skil.com) ou adressez-vous à votre revendeur)

## ENVIRONNEMENT

- **Ne jetez pas les outils électriques, les piles, les accessoires et l'emballage dans les ordures ménagères** (pour les pays européens uniquement)
  - conformément à la directive européenne 2012/19/EG relative aux déchets d'équipements électriques ou électroniques, et à sa transposition dans la législation nationale, les outils électriques usés doivent être collectés séparément et faire l'objet d'un recyclage respectueux de l'environnement

- le symbole ⑥ vous le rappellera au moment de la mise au rebut de l'outil

**! avant d'envoyer les batteries au recyclage, pour éviter un éventuel court-circuit, il convient de revêtir les bornes d'un épais ruban adhésif isolant**



## BRUIT / VIBRATION

- Mesurés selon EN 62841, le niveau de pression sonore de cet outil est de 90 dB(A), le niveau de puissance acoustique est de 98 dB(A) (incertitude K = 5 dB) et la vibration \* (somme vectorielle triax ; incertitude K = 1,5 m/s<sup>2</sup>)
    - \* pendant le perçage du métal 12,41 m/s<sup>2</sup>
    - \* pendant le perçage à percussion dans le béton 14,49 m/s<sup>2</sup>
  - Le niveau de vibrations émises a été mesuré conformément à l'essai normalisé de la norme EN 62841; il peut être utilisé pour comparer plusieurs outils et pour réaliser une évaluation préliminaire de l'exposition aux vibrations lors de l'utilisation de l'outil pour les applications mentionnées
    - l'utilisation de l'outil dans d'autres applications, ou avec des accessoires différents ou mal entretenus, peut considérablement **augmenter** le niveau d'exposition
    - la mise hors tension de l'outil et sa non-utilisation pendant qu'il est allumé peuvent considérablement **réduire** le niveau d'exposition
- ! protégez-vous contre les effets des vibrations par un entretien correct de l'outil et de ses accessoires, en gardant vos mains chaudes et en organisant vos horaires de travail**

D

## Bürstenloser Schlagbohrer

3021

## EINLEITUNG

- Dieses Werkzeug ist zum Anziehen und Lösen von Schrauben sowie zum Bohren in Holz, Keramik und Kunststoff und zum Schlagbohren in Ziegel vorgesehen.
- Für den gewerblichen Einsatz ist das Gerät nicht geeignet.
- Lesen Sie diese Bedienungsanleitung und heben Sie sie auf. ③

## TECHNISCHE DATEN ①

Max. Drehmoment bei hartem Schraubfall nach ISO 5393 : 55 Nm

## WERKZEUGKOMPONENTEN ②

- A Schalter zum Ein-/Ausschalten und zur Drehzahlregelung



- B Ring zur Drehmomenteinstellung
- C Position Schlagbohren
- D Position Bohren
- E Schraubposition
- F Schalter für Funktionsänderung
- G Gangwahlschalter
- H Lüftungsschlitze
- J Schalter für Drehrichtungswechsel
- K ARBEITSLEUCHE
- L Bohrfutter
- M Taster für Ladestandsanzeige
- N Doppelseitiges Bit

## SICHERHEIT

### ALLGEMEINE SICHERHEITSHINWEISE ZU ELEKTROWERKZEUGEN

**⚠️ WARNUNG** Beachten Sie alle Warnhinweise, Anweisungen, Abbildungen und technischen Daten, die diesem Elektrowerkzeug beigefügt sind. Die Nichtbeachtung der unten aufgeführten Anweisungen kann zu Stromschlägen, Bränden und/oder schweren Verletzungen führen.

**Bewahren Sie alle Warn- und Bedienhinweise für Nachschlagezwecke auf.**

Unter den Begriff „Elektrowerkzeug“ in den Warnhinweisen fallen netzbetriebene (d. h. kabelgebundene) oder akkubetriebene (d.h. kabellose) Elektrowerkzeuge.

#### 1) SICHERHEIT IM ARBEITSBEREICH

- a) **Halten Sie den Arbeitsbereich stets sauber und gut beleuchtet.** Unaufgeräumte oder dunkle Bereiche können Unfälle provozieren.
- b) **Verwenden Sie Elektrowerkzeuge nicht in explosionsgefährdeten Umgebungen wie z. B. in Gegenwart von entzündlichen Flüssigkeiten, Gasen oder Staub.** Elektrowerkzeuge erzeugen Funken, die Staub oder Dämpfe entzünden können.
- c) **Halten Sie Schaulustige und Kinder fern, während Sie das Elektrowerkzeug einsetzen.** Ablenkungen können dazu führen, dass Sie die Kontrolle verlieren.

#### 2) ELEKTRISCHE SICHERHEIT

- a) **Die Netzstecker der Elektrowerkzeuge müssen in die Steckdosen passen. Der Netzstecker darf unter keinen Umständen modifiziert werden. Verwenden Sie keine Adapterstecker an geerdeten Elektrowerkzeugen.** Nicht modifizierte Stecker und passende Steckdosen reduzieren die Stromschlaggefahr.
- b) **Vermeiden Sie den Körperkontakt zu geerdeten Flächen wie zum Beispiel Rohrleitungen, Heizkörpern, Herden und Kühlschränken.** Es besteht erhöhte Stromschlaggefahr, wenn Ihr Körper geerdet ist.
- c) **Schützen Sie Elektrowerkzeuge vor Regen oder feuchten Bedingungen.** Wenn Wasser in das Elektrowerkzeug eindringt, besteht erhöhte Stromschlaggefahr.
- d) **Das Kabel darf nicht zweckentfremdet werden. Das Netzkabel darf nicht zum Tragen, Ziehen oder Herausziehen des Elektrowerkzeugs aus der Steckdose verwendet werden. Das Netzkabel muss vor Hitze, Öl, scharfen Kanten oder beweglichen**

**Teilen ferngehalten werden.** Durch beschädigte oder verknotete Kabel besteht erhöhte Stromschlaggefahr.

- e) **Wenn Sie ein Elektrowerkzeug im Freien benutzen, verwenden Sie ein Verlängerungskabel, das für den Gebrauch im Freien geeignet ist.** Die Stromschlaggefahr verringert sich bei Gebrauch eines Netzkabels, das für den Einsatz im Freien geeignet ist.
- f) **Wenn der Gebrauch eines Elektrowerkzeuges an einem feuchten Ort unvermeidbar ist, benutzen Sie eine durch eine Fehlerstromschutzrichtung (FI-Schalter) geschützte Stromquelle.** Die Verwendung einer Fehlerstromschutzeinrichtung reduziert die Stromschlaggefahr.

#### 3) PERSONENSICHERHEIT

- a) **Seien Sie wachsam, geben Sie darauf Acht, was Sie tun, und benutzen Sie Ihren gesunden Menschenverstand, wenn Sie ein Elektrowerkzeug verwenden.** Betreiben Sie das Gerät nicht, wenn Sie müde oder unter dem Einfluss von Drogen, Alkohol oder Medikamenten stehen. Ein Moment der Unachtsamkeit kann beim Gebrauch eines Elektrowerkzeugs zu ernsthaften Verletzungen führen.
- b) **Tragen Sie eine persönliche Schutzausrüstung. Tragen Sie immer einen Augenschutz.** Durch eine für die jeweiligen Bedingungen geeignete Schutzausrüstung wie etwa eine Staubschutzmaske, rutschfeste Schuhe, Helm oder Gehörschutz lässt sich die Verletzungsgefahr verringern.
- c) **Ungewollten Anlauf verhindern. Vor dem Anschließen an eine Steckdose und/oder einen Akku und vor dem Aufnehmen oder Transportieren des Geräts immer kontrollieren, ob der Hauptschalter in ausgeschalteter Position ist.** Unfälle sind vorprogrammiert, wenn Sie Elektrowerkzeuge mit einem Finger am Netzschalter tragen oder Elektrowerkzeuge mit eingeschaltetem Netzschalter an eine Steckdose anschließen.
- d) **Entfernen Sie alle Einstellschlüssel oder Schraubenschlüssel, bevor Sie das Elektrowerkzeug einschalten.** Ein Schraubenschlüssel oder ein Schlüssel, der noch an einem beweglichen Teil des Elektrowerkzeuges befestigt ist, kann Verletzungen hervorrufen.
- e) **Nicht überstrecken. Achten Sie stets auf einen festen Stand und halten Sie das Gleichgewicht.** Dies ermöglicht in unerwarteten Situationen eine bessere Kontrolle über das Elektrowerkzeug.
- f) **Tragen Sie angemessene Kleidung. Tragen Sie keine weite Kleidung oder Schmuck. Halten Sie Ihr Haar und Ihre Kleidung von den beweglichen Teilen fern.** Weite Kleidung, Schmuck oder langes Haar können sich in den beweglichen Teilen verfangen.
- g) **Wenn Komponenten zum Anschluss an eine Absauganlage und an Auffangvorrichtungen mitgeliefert werden, achten Sie darauf, dass diese ordnungsgemäß befestigt und benutzt werden.** Die Verwendung einer Staubauffangvorrichtung kann Gefahren durch Staub reduzieren.
- h) **Lassen Sie sich nicht durch die aufgrund häufiger Benutzung entstandene Vertrautheit mit Werkzeugen dazu verleiten, unachtsam zu werden und die für Werkzeuge geltenden Sicherheitsgrundsätze zu ignorieren.** Eine fahrlässige

Handlung kann bereits im Bruchteil einer Sekunde zu schweren Verletzungen führen.

#### 4) GEBRAUCH UND PFLEGE DES ELEKTROWERKZEUGS

- a) **Üben Sie keinen übermäßigen Druck auf das Elektrowerkzeug aus. Verwenden Sie ein geeignetes Elektrowerkzeug für die jeweiligen Arbeiten.** Durch das passende Elektrowerkzeug lassen sich die Arbeiten besser und sicherer in dem jeweils vorgesehenen Tempo erledigen.
  - b) **Verwenden Sie das Elektrowerkzeug nicht, wenn es sich mit dem Schalter weder ein- noch ausschalten lässt.** Ein Elektrowerkzeug, das sich über den Schalter nicht betätigen lässt, ist gefährlich und muss repariert werden.
  - c) **Ziehen Sie den Netzstecker aus der Steckdose bzw. nehmen Sie den Akku vom Elektrowerkzeug ab, sofern dieser entfernbar ist, bevor Sie Einstellungen vornehmen, das Zubehör wechseln oder das Elektrowerkzeug verstauen.** Solche vorsorglichen Sicherheitsmaßnahmen verringern die Gefahr, dass sich das Elektrowerkzeug unbeabsichtigt einschaltet.
  - d) **Bewahren Sie nicht benutzte Elektrowerkzeuge außerhalb der Reichweite von Kindern auf und verbieten Sie Personen die Gerätebenutzung, die das Elektrowerkzeug oder diese Anweisungen nicht kennen.** In den Händen nicht eingewiesener Benutzer stellen Elektrowerkzeuge eine große Gefahr dar.
  - e) **Warten Sie Elektrowerkzeuge und Zubehörteile. Achten Sie auf falsch ausgerichtete oder fest sitzende bewegliche Teile, Bruchstellen und sonstige Umstände, die die Funktion des Elektrowerkzeuges beeinträchtigen können. Lassen Sie beschädigte Elektrowerkzeuge reparieren, bevor Sie sie wieder einsetzen.** Viele Unfälle entstehen durch schlecht gewartete Elektrowerkzeuge.
  - f) **Halten Sie Schneidwerkzeuge scharf und sauber.** Sachgemäß gewartete Schneidwerkzeuge mit scharfen Schneiden neigen weniger zum Festfahren und sind leichter zu kontrollieren.
  - g) **Benutzen Sie das Elektrowerkzeug, Zubehör, Werkzeugeinsätze usw. gemäß diesen Anweisungen und berücksichtigen Sie dabei die Arbeitsbedingungen und die auszuführenden Arbeiten.** Die Verwendung des Elektrowerkzeugs für Aufgaben, die von seinem bestimmungsgemäßen Zweck abweichen, können zu gefährlichen Situationen führen.
  - h) **Halten Sie die Griffe und Griffflächen trocken, sauber und frei von Öl und Fett.** Rutschige Griffe und Griffflächen beeinträchtigen die sichere Handhabung des Werkzeugs und führen in unerwarteten Situationen zum Verlust der Kontrolle über das Werkzeug.
- #### 5) BENUTZUNG UND PFLEGE VON AKKUGERÄTEN
- a) **Laden Sie den Akku nur mit dem vom Hersteller vorgegebenen Ladegerät auf.** Ein Ladegerät, das für einen bestimmten Akkutyp geeignet ist, kann bei der Benutzung eines anderen Akkus zu einer Brandgefahr werden.
  - b) **Benutzen Sie für die Elektrowerkzeuge nur die jeweils zugehörigen Akkus.** Bei Verwendung anderer Akkus besteht Verletzungs- und Brandgefahr.
  - c) **Wenn der Akku nicht benutzt wird, halten Sie ihn von anderen metallischen Gegenständen fern,**

**wie etwa Büroklammern, Münzen, Schlüssel, Nägel, Schrauben oder anderen kleinen Metallgegenständen, die eine Verbindung zwischen den Polen herstellen können.** Das Kurzschließen der Pole kann Verbrennungen oder Brände verursachen.

- d) **Bei unsachgemäßer Anwendung kann Flüssigkeit aus dem Akku austreten; Kontakt vermeiden. Falls Sie versehentlich mit Akkusäure in Berührung gekommen sind, spülen Sie die Stelle mit Wasser. Falls Akkusäure in die Augen geraten ist, suchen Sie zudem einen Arzt auf.** Aus dem Akku austretende Flüssigkeit kann Reizungen oder Verätzungen verursachen.
  - e) **Benutzen Sie keinen Akku oder ein Werkzeug, das beschädigt oder umgebaut wurde.** Beschädigte oder umgebaute Akkus können sich unvorhergesehen verhalten, wodurch möglicherweise ein Brand, eine Explosion oder Verletzungen verursacht werden.
  - f) **Akkus oder Werkzeuge vor Feuer oder extremen Temperaturen schützen.** Feuer oder Temperaturen über 130 °C können eine Explosion verursachen.
  - g) **Befolgen Sie alle Ladeanweisungen und laden Sie den Akku oder das Werkzeug nicht außerhalb des Temperaturbereichs auf, der in der Anleitung angegebenen ist.** Das unsachgemäße Aufladen oder Laden außerhalb des angegebenen Temperaturbereichs kann den Akku beschädigen und die Brandgefahr erhöhen.
- #### 6) REPARATUREN
- a) **Lassen Sie Ihr Elektrowerkzeug von einer qualifizierten Fachkraft und nur unter Verwendung baugleicher Ersatzteile reparieren.** Nur so kann für die Sicherheit des Elektrowerkzeugs gesorgt werden.
  - b) **Reparieren Sie unter keinen Umständen beschädigte Akkus.** Akkus sollten ausschließlich vom Hersteller selbst oder einer autorisierten Reparaturwerkstatt repariert werden.

#### SICHERHEITSHINWEISE FÜR AKKU-SCHLAGBOHRER

##### 1) SICHERHEITSHINWEISE FÜR ALLE ARBEITEN

- a) **Beim Schlagbohren Gehörschutz tragen. Beim Schlagbohren Gehörschutz tragen.** Lärm kann zu Hörverlust führen.
- b) **Halten Sie das Elektrowerkzeug an den isolierten Griffflächen, wenn Sie eine Arbeit ausführen, bei der das Bohr- oder Schraubwerkzeug mit verborgenen Kabeln in Berührung kommen könnte.** Schneidzubehör und Verbindungselemente, die mit einem unter Spannung stehenden Kabel in Berührung kommen, können freiliegende Metallteile des Elektrowerkzeugs „unter Spannung“ setzen und dem Bediener einen elektrischen Schlag versetzen.

##### 2) SICHERHEITSHINWEISE FÜR DIE NUTZUNG DER LANGEN BOHRER

- a) **Niemals mit einer höheren Drehzahl als der maximalen Drehzahl des Bohrers arbeiten.** Bei höheren Geschwindigkeiten kann sich das Bit verbiegen, wenn es sich frei drehen kann, ohne das Werkstück zu berühren. Dies kann zu Verletzungen führen.
- b) **Beginnen Sie das Bohren immer mit niedriger Drehzahl und mit der Bohrspitze in Kontakt mit dem Werkstück.** Bei höheren Geschwindigkeiten

kann sich das Bit verbiegen, wenn es sich frei drehen kann, ohne das Werkstück zu berühren. Dies kann zu Verletzungen führen.

- c) Druck nur in direkter Linie mit dem Bit ausüben und keinen übermäßigen Druck ausüben.** Bits können sich verbiegen und zu Bruch oder Kontrollverlust führen. Dies kann wiederum zu Verletzungen führen.

#### ALLGEMEINES

- **Der Staub von Materialien wie bleihaltiger Farbe, bestimmten Holzarten, Mineralien und Metallen kann gesundheitsschädlich sein** (das Einatmen oder der Kontakt mit diesen Stäuben kann allergische Reaktionen und/oder Atemwegserkrankungen beim Benutzer oder bei Passanten auslösen); tragen Sie eine Staubmaske und arbeiten Sie mit einer Staubabsaugung, sofern ein Anschluss dafür vorhanden ist
- **Bestimmte Stäube sind als krebserregend eingestuft** (beispielsweise Eichen- und Buchenholzstaub), insbesondere in Verbindung mit Zusätzen für die Holzvorbehandlung. Tragen Sie eine Staubmaske und arbeiten Sie mit einer Staubabsaugung, sofern anschließbar
- Beachten Sie die für Ihr verwendetes Verbrauchsmaterial gültigen nationalen Staubschutzvorgaben
- **Bestimmen Sie kein asbesthaltiges Material** (Asbest gilt als krebserregend)
- Stellen Sie sicher, dass sich Schalter J<sup>②</sup> in Mittelstellung (verriegelter Position) befindet, bevor Sie Werkzeugeinstellungen vornehmen. Zubehör wechseln oder das Werkzeug transportieren bzw. verstauen

#### ZUBEHÖR

- SKIL kann nur dann die einwandfreie Funktion des Werkzeuges zusichern, wenn Original-Zubehör verwendet wird
- Nur Zubehör verwenden, dessen zulässige Drehzahl mindestens so hoch ist wie die höchste Leerlaufdrehzahl des Werkzeuges

#### VOR DER ANWENDUNG

- Beschädigungen durch Schrauben, Nägel und ähnliches an Ihrem Werkstück vermeiden; diese vor Arbeitsbeginn entfernen
- **Spannen Sie das Werkstück ein** (Wird das Werkstück von einer Spannvorrichtung gehalten oder in einen Schraubstock eingespannt, ist das Arbeiten sicherer als beim Festhalten mit der Hand)
- **Verwenden Sie geeignete Suchgeräte, um unter Putz verlegte Leitungen aufzuspüren. Wenden Sie sich alternativ an einen Elektrofachbetrieb.** Der Kontakt mit Elektroleitungen kann Brände und Stromschläge hervorrufen. Bei Beschädigung einer Gasleitung besteht Explosionsgefahr. Durch das Anbohren einer Wasserleitung besteht die Gefahr einer Sachbeschädigung oder Stromschlaggefahr

#### AKKU

- **Der mitgelieferte Akku, falls vorhanden, ist nur teilgeladen.** Um die volle Kapazität des Akkus nutzen zu können, laden Sie den Akku im Ladegerät vollständig auf, bevor Sie das Elektrowerkzeug zum ersten Mal verwenden
- **Nur die mit diesem Werkzeug mitgelieferten Batterien und Ladegeräte verwenden**
  - SKIL-Akku: BR1\*31\*\*\*\*
  - SKIL-Ladegerät: CR1\*31\*\*\*\*
- Beschädigte Batterien nicht weiter verwenden, sondern sofort ersetzen

- Die Batterie nicht auseinandernehmen
- Das Werkzeug/den Akku niemals Regen aussetzen
- Erlaubte Umgebungstemperatur (Werkzeug/Ladegerät/Akku):
  - beim Laden 4...40°C
  - im Betrieb -20...+50°C
  - bei Lagerung -20...+50°C

#### ERKLÄRUNG DER SYMBOLE AUF DEM WERKZEUG/ AKKU

- ③ Die Bedienungsanleitung vor dem Gebrauch lesen
- ④ Batterien explodieren bei Kontakt mit Feuer, daher dürfen niemals verbrannt werden
- ⑤ Bewahren Sie das Werkzeug/Ladegerät/Akku stets bei Raumtemperaturen unter 50°C auf
- ⑥ Elektrowerkzeuge und Akkus nicht in den Hausmüll werfen

#### BEDIENUNG

- Kombischalter zum Ein-/Ausschalten und zur Drehzahlregelung A <sup>②</sup>
  - Durch mehr oder weniger Druck auf den Schalter kann die Geschwindigkeit stufenlos von Null bis zur maximalen Drehzahl geregelt werden
- Aufladen des Akkus
  - ! **Lesen Sie die Sicherheitshinweise und Anweisungen, die dem Ladegerät beiliegen**
- Anbringen/Abnehmen des Akkus
- Ladestandsanzeige <sup>⑦</sup>
  - Drücken Sie auf den Taster für die Ladestandsanzeige M, um den aktuellen Ladezustand des Akkus abzufragen <sup>⑦a</sup>
  - ! **Wenn nach dem Drücken des Tasters für die Ladestandsanzeige M <sup>⑦b</sup> der niedrigste Ladezustand in der Anzeige blinkt, ist der Akku leer**
  - ! **Wenn nach dem Drücken des Tasters M <sup>⑦c</sup> 2 Ladebalken blinken, ist der Akku nicht im zulässigen Betriebstemperaturbereich**
- Umschalten der Drehrichtung <sup>⑧</sup>
  - Wenn der Schalter nicht korrekt links/rechts einrastet, kann der Schalter A <sup>②</sup> nicht betätigt werden
  - ! **Drehrichtung nur dann wechseln, wenn das Werkzeug vollkommen stillsteht**
- Wechseln von Bits <sup>⑨</sup>
  - ! **Keine Bits mit beschädigtem Schaft benutzen**
- Drehmomentregelung (VariTorque) <sup>⑩</sup>
  - Das Drehmoment steigt, wenn der Kupplungsring B von 1 auf 17 gedreht wird
  - Beim Eindrehen einer Schraube beginnen Sie zunächst mit der VariTorque Position 1 und erhöhen dann langsam, bis die gewünschte Tiefe erreicht ist
  - In Position D wird die Kupplung für schwere Bohr- oder Schraubarbeiten (ohne Schlag) verriegelt
  - In Position C wird die Kupplung verriegelt. Diese Position eignet sich nur zum Schlagbohren
  - ! **sicherstellen, dass der Gangwahlschalter G auf 2 gestellt ist, wenn die Funktionstaste F auf Schlagbohrposition steht**
  - ! **Die Position Schlagbohren C nicht für das Bohren in Holz, Metall, Keramik und Kunststoff verwenden. Andernfalls besteht die Gefahr, dass das Bohr-/Schraubbit beschädigt wird**
- Mechanische Gangwahl <sup>⑪</sup>

- Schalter G auf gewünschte Drehzahl stellen
- ! Den Gangwahlschalter bei langsam drehendem Werkzeug betätigen**

1

- niedrige Drehzahl
- hohes Drehmoment
- Zum Schrauben und Bohren großer Durchmesser
- Zum Gewindebohren

2

- hohe Drehzahl
- niedriges Drehmoment
- zum Schlagbohren
- Zum Bohren kleiner Durchmesser

#### • ARBEITSLEUCHTE K (12)

- ARBEITSLEUCHTE K leuchtet auf, wenn das Werkzeug eingeschaltet ist.

**! Wenn die ARBEITSLEUCHTE zu blinken beginnt, ist der Akkuschutz aktiviert (siehe unten)**

#### • Akkuschutz

Das Gerät wird plötzlich ausgeschaltet oder kann nicht mehr eingeschaltet werden, wenn

- die **Belastung zu stark ist** --> Gerät entlasten und neu starten
- die **Akkutemperatur nicht im zulässigen Betriebstemperaturbereich von -20 bis +50° C liegt** --> Wenn nach dem Drücken des Tasters für die Ladestandsanzeige M(7)c 2 Balken blinken, warten, bis sich der Akku wieder innerhalb des zulässigen Betriebstemperaturbereichs befindet

- **der Akku fast leer ist (zum Schutz vor Tiefentladung)** --> Nach dem Drücken der Taste M wird ein niedriger Akkustand oder ein blinkender niedriger Akkustand (7)b von der Ladestandsanzeige gemeldet; Akku aufladen

**! Wenn sich das Gerät automatisch abgeschaltet hat, den Ein-/Aus-Schalter nicht länger drücken; der Akku kann dadurch beschädigt werden**

#### • Halten und Führen des Werkzeugs (13)

**! Werkzeug beim Arbeiten immer an den grauen Griffflächen festhalten**

- Die Lüftungsschlitze H (2) nicht abdecken
- Nicht zu viel Druck auf das Werkzeug ausüben; das Werkzeug arbeitet sich selbstständig durch das Material

## ANWENDUNGSHINWEISE

- Geeignete Bits verwenden (14)
- ! Nur scharfe Bits verwenden**
- Beim Bohren in Eisenmetallen
  - ein kleines Loch vorbohren, wenn ein größeres Loch benötigt wird
  - Bits gelegentlich mit Öl einfeilen
- Beim Eindrehen einer Schraube am Ende oder Kopfstück eines Holzes sollte ein Loch vorgebohrt werden, um ein Spalten des Holzes zu vermeiden
- Für einen optimalen Gebrauch des Werkzeuges ist ein ständiger Druck auf die Schraube notwendig, besonders beim Losschrauben
- Beim Eindrehen einer Schraube in Hartholz sollte ein Loch vorgebohrt werden
- Splitterfreies Bohren in Holz (15)
- Staubfreies Bohren in Mauerwerk (16)
- Staubfreies Bohren in Decken (17)

- Bohren in Fliesen ohne Abrutschen (18)
- Für weitere Informationen verweisen wir auf [www.skil.com](http://www.skil.com)

## WARTUNG / SERVICE

- Dieses Werkzeug eignet sich nicht für den professionellen Einsatz
- Halten Sie das Werkzeug immer sauber (insbesondere die Lüftungsschlitze H (2))
- ! Vor dem Reinigen den Akku vom Werkzeug abnehmen**
- Sollte das Elektrowerkzeug trotz sorgfältiger Herstellungs- und Prüfverfahren einmal ausfallen, sollte die Reparatur bei einer autorisierten Kundendienststelle für SKIL-Elektrowerkzeuge in Auftrag gegeben werden
  - Schicken Sie das Werkzeug unzerlegt zusammen mit dem Kaufbeleg an den Fachhändler oder an die nächste SKIL-Vertragswerkstatt (die Anschriften sowie die Ersatzteilzeichnung des Werkzeuges finden Sie unter [www.skil.com](http://www.skil.com))
- Beachten Sie, dass ein falscher oder unsachgemäßer Gebrauch des Werkzeugs zum Erlöschen der Garantie führt (die SKIL-Garantiebedingungen finden Sie unter [www.skil.com](http://www.skil.com) oder fragen Sie Ihren Händler)

## UMWELT

- **Elektrowerkzeuge, Akkus, Zubehör und Verpackungen nicht in den Hausmüll werfen** (nur für EU-Länder)
  - Gemäß der europäischen Richtlinie 2012/19/EG über Elektro- und Elektronik-Altgeräte und ihrer Umsetzung in nationales Recht müssen nicht mehr gebrauchsfähige Elektrowerkzeuge getrennt gesammelt und einer umweltgerechten Wiederverwertung zugeführt werden
  - Hieran soll Sie das Symbol (6) erinnern
- ! Vor dem Entsorgen des Akkus die Pole mit Isolierband zukleben, um einen Kurzschluss zu verhindern**

## GERÄUSCH / VIBRATION

- Laut Messung gemäß EN 62841 beträgt der Schalldruckpegel dieses Werkzeugs 90 dB(A) und der Schalleistungspegel 98 dB(A) (Unsicherheit K = 5 dB). Die Vibration beträgt \* (Triaxvektorsumme; Unsicherheit K = 1,5 m/s<sup>2</sup>)
- \* beim Bohren in Metall 12,41 m/s<sup>2</sup>**
- \* beim Schlagbohren in Beton 14,49 m/s<sup>2</sup>**
- Die Vibrationsemissionsstufe wurde mit einem standardisierten Test gemäß EN 62841 gemessen. Sie kann verwendet werden, um ein Werkzeug mit einem anderen zu vergleichen und als vorläufige Beurteilung der Vibrationsexposition bei Verwendung des Werkzeugs für die angegebenen Anwendungszwecke
  - Die Verwendung des Werkzeugs für andere Anwendungen oder mit anderem oder schlecht gewartetem Zubehör kann den Expositionswert erheblich **erhöhen**
  - Zeiten, zu denen das Werkzeug ausgeschaltet oder bei denen es in Betrieb ist aber nicht zum Einsatz kommt, können den Expositionswert erheblich **verringern**
- ! Schützen Sie sich vor den Auswirkungen der**

Vibration durch Wartung des Werkzeugs und des Zubehörs. Halten Sie Ihre Hände warm und organisieren Sie Ihre Arbeitsweise

NL

## Borstelloze klopboomachine

3021

### INLEIDING

- Dit gereedschap is bedoeld voor het vast- en losdraaien van schroeven, maar ook voor het boren in hout, keramiek en kunststof en voor slagboren in baksteen.
- Dit gereedschap is niet bedoeld voor professioneel gebruik.
- Lees en bewaar deze gebruiksaanwijzing. ③

### TECHNISCHE GEGEVENS ①

Max. draaimoment bij harde schroefverbinding volgens ISO 5393 : 55 Nm

### GEREEDSCHAPSELEMENTEN ②

- A Schakelaar voor aan/uit en toerentalregeling
- B Ring voor instellen van koppel
- C Klopboorpositie
- D Boorpositie
- E Schroevendraaiërpositie
- F Schakelaar voor het wisselen van functie
- G Toerentalschakelaar
- H Ventilatieopeningen
- J Knop voor omschakelen van draairichting
- K WERKLAMP
- L Boorkop
- M Accu niveau-indicator knop
- N Dubbelzijdig bit

### VEILIGHEID

#### ALGEMENE VEILIGHEIDSWAARSCHUWINGEN VOOR ELEKTRISCH GEREEDSCHAP

**⚠ WAARSCHUWING** Lees alle veiligheidswaarschuwingen, instructies, illustraties en specificaties die met dit elektrisch gereedschap zijn meegeleverd. Het niet opvolgen van alle onderstaande instructies kan leiden tot elektrische schokken en/of ernstig letsel.

**Bewaar alle waarschuwingen en instructies voor toekomstig gebruik.**

De term "elektrisch gereedschap" in de waarschuwingen verwijst naar uw door het voedingsnet aangedreven (met snoer) elektrisch gereedschap of accu aangedreven (snoerloos) elektrisch gereedschap.

#### 1) VEILIGHEID OP DE WERKPLAATS

- a) **Houd uw werkplaats schoon en goed verlicht.** Rommelige of donkere ruimten kunnen ongevallen veroorzaken.

- b) **Gebruik geen elektrisch gereedschap in ruimten waar een explosieve atmosfeer kan ontstaan, bijvoorbeeld in de aanwezigheid van ontvlambare vloeistoffen, gasen of stof.** Elektrisch gereedschap creëert vonken, deze kunnen stof of dampen in brand steken.
- c) **Houd kinderen en omstanders uit de buurt wanneer u een elektrisch gereedschap bedient.** Aflleiding kan tot controleverlies leiden.

#### 2) ELEKTRISCHE VEILIGHEID

- a) **De stekker van het elektrisch gereedschap dient met het stopcontact overeen te stemmen. Pas de stekker op geen enkele manier aan. Gebruik geen adapterstekker met geaard elektrisch gereedschap.** Niet aangepaste stekkers en overeenkomstige stopcontacten beperken het risico op elektrische schokken.
- b) **Vermijd lichamelijk contact met geaarde oppervlakken, zoals leidingen, radiatoren, fornuizen en koelkasten.** Het risico op een elektrische schok is groter als uw lichaam geaard is.
- c) **Stel elektrisch gereedschap niet bloot aan regen of vochtige omstandigheden.** Water dat elektrisch gereedschap binnendringt, vergroot het risico op een elektrische schok.
- d) **Gebruik de kabel niet op een verkeerde manier. Gebruik de kabel nooit om het elektrisch gereedschap te dragen, te trekken of om de stekker uit het stopcontact te halen. Houd de kabel uit de buurt van hitte, olie, scherpe randen of bewegende onderdelen.** Beschadigde of verstrikte kabels vergroten het risico op een elektrische schok.
- e) **Wanneer u een elektrisch gereedschap buitenshuis bedient, gebruik dan een verlengkabel die geschikt is voor gebruik buitenshuis.** Het gebruik van een kabel die voor gebruik buitenshuis geschikt is, verkleint het risico op een elektrische schok.
- f) **Als het gebruik van elektrisch gereedschap in een vochtige ruimte noodzakelijk is, gebruik een differentieelschakelaar.** Het gebruik van een differentieelschakelaar verkleint het risico op elektrische schokken.

#### 3) PERSOONLIJKE VEILIGHEID

- a) **Wees waakzaam, let op wat u doet en gebruik uw gezond verstand wanneer u elektrisch gereedschap gebruikt.** Gebruik het elektrisch gereedschap niet als u moe bent of onder de invloed bent van drugs, alcohol of medicijnen. Een moment van onoplettendheid tijdens het gebruik van elektrische gereedschappen kan leiden tot ernstig persoonlijk letsel.
- b) **Gebruik persoonlijke beschermingsmiddelen. Draag altijd oogbescherming.** Beschermingsmiddelen zoals een stofmasker, slipvaste werkschoenen, veiligheidshelm of gehoorbescherming afhankelijk van de aard en het gebruik van het gereedschap verkleint het risico op persoonlijk letsel.
- c) **Vermijd dat het gereedschap per ongeluk wordt gestart. Zorg dat de schakelaar op de stand 'Uit' is ingesteld voordat u het gereedschap op een stroombron en/of accupack aansluit, vastneemt of draagt.** Het dragen van elektrisch gereedschap met uw vinger op de schakelaar of gereedschap ingeschakeld op de stroomvoorziening aansluiten kan ongevallen

veroorzaken.

- d) **Verwijder instelsleutels of moersleutels voordat u het elektrisch gereedschap inschakelt.** Een instelsleutel of moersleutel in een draaiend deel van het elektrisch gereedschap achterlaten kan leiden tot persoonlijk letsel.
  - e) **Reik niet te ver. Zorg er altijd voor dat u stevig en stabiel staat.** Dit zorgt ervoor dat u het elektrisch gereedschap in onverwachte situaties beter onder controle kunt houden.
  - f) **Draag passende kleding. Draag geen los hangende kleding of sieraden. Houd uw haar en kleding uit de buurt van bewegende onderdelen.** Los hangende kleding, sieraden en lang haar kunnen in bewegende onderdelen verstrikt raken.
  - g) **Wanneer de montage van stofafzuiging- of stofopvangvoorzieningen mogelijk is, dient u ervoor te zorgen dat deze juist aangesloten en gebruikt worden.** Het gebruik van een stofopvang kan helpen om het risico in verband met stof te verlagen.
  - h) **Word niet zelfingenomen door de ervaring die u heeft opgedaan door frequent gebruik, waardoor u dan de veiligheidswaarschuwingen negeert.** Een achteloze actie kan binnen een fractie van een seconde ernstig letsel veroorzaken.
- #### 4) ELEKTRISCH GEREEDSCHAP GEBRUIKEN EN ONDERHOUDEN
- a) **Overbelast het elektrisch gereedschap niet. Gebruik het juiste elektrisch gereedschap voor uw toepassing.** Met het juiste elektrisch gereedschap werkt u beter en veiliger binnen het aangegeven vermogensbereik.
  - b) **Gebruik het elektrisch gereedschap niet als de schakelaar niet kan worden in- en uitgeschakeld.** Elektrisch gereedschap dat niet kan worden in- of uitgeschakeld is gevaarlijk en moet worden gerepareerd.
  - c) **Trek de stekker uit de stroomvoorziening en/of verwijder het accupack, indien deze kan worden verwijderd, uit het elektrisch gereedschap voordat u het instelt, accessoires vervangt of het gereedschap opbergt.** Deze preventieve voorzorgsmaatregelen beperken het risico op onbedoeld starten van het elektrisch gereedschap.
  - d) **Berg niet-gebruikt elektrisch gereedschap op buiten het bereik van kinderen en zorg ervoor dat personen die niet vertrouwd zijn met het gereedschap of die deze instructies niet hebben gelezen het gereedschap niet gebruiken.** Elektrisch gereedschap is gevaarlijk wanneer het door onervaren personen wordt gebruikt.
  - e) **Onderhoud het elektrisch gereedschap en de accessoires. Controleer of de bewegende onderdelen correct functioneren en niet vastklemmen en of de onderdelen zodanig gebroken of beschadigd zijn dat de werking van het elektrisch gereedschap nadelig wordt beïnvloedt. Laat een beschadigd elektrisch gereedschap eerst repareren voordat u het weer in gebruik neemt.** Vele ongevallen zijn het gevolg van slecht onderhouden elektrisch gereedschap.
  - f) **Houd de snij-onderdelen scherp en schoon.** Zorgvuldig onderhouden snij-gereedschap met scherpe snijranden klemt minder snel vast en is gemakkelijker te

beheersen.

- g) **Gebruik het elektrisch gereedschap, accessoires, inzetgereedschap, etc. in overeenstemming met deze instructies en houd hierbij rekening met de werkomstandigheden en de uit te voeren werkzaamheden.** Het gebruik van elektrisch gereedschap voor andere dan de beoogde toepassingen kan tot gevaarlijke situaties leiden.
  - h) **Houd de handgrepen en greepvlakken droog, schoon en vrij van olie en smeervet.** Glibberige handgrepen en greepvlakken maken een veilige omgang en de controle over het elektrisch gereedschap in onverwachte situaties onmogelijk.
- #### 5) ACCU-GEREEDSCHAP GEBRUIKEN EN ONDERHOUDEN
- a) **Opladen alleen met de lader die door de fabrikant is aangegeven.** Een lader die geschikt is voor een bepaald type accupack kan tot brandgevaar leiden wanneer hij gebruikt wordt met een ander accupack.
  - b) **Gebruik elektrisch gereedschap alleen met het specifiek aangegeven accupack.** Het gebruik van andere accupacks kan risico op letsel en brandgevaar veroorzaken.
  - c) **Wanneer u de accu niet gebruikt, houd het uit de buurt van andere metalen voorwerpen zoals paperclips, muntstukken, sleutels, nagels, schroeven of andere kleine metalen voorwerpen die de twee aansluitklemmen kunnen verbinden.** Het kortsluiten van de aansluitklemmen kan brandwonden of brand veroorzaken.
  - d) **Bij verkeerd gebruik kan er vloeistof uit de accu worden gespoten; vermijd elk contact. Als aanraking met de vloeistof toevallig plaatsvindt, spoel het dan af met water. Als de vloeistof in contact komt met de ogen, dient u onmiddellijk een arts te consulteren.** Vloeistof dat uit de accu wordt gespoten kan irritatie of brandwonden veroorzaken.
  - e) **Gebruik geen accupack of gereedschap dat is beschadigd of aangepast.** Beschadigde of aangepaste accu's kunnen resulteren in onvoorzien gedrag zoals brand, explosie of het risico op letsel.
  - f) **Stel een accupack of gereedschap niet bloot aan vuur of excessieve temperaturen.** Blootstelling aan vuur of temperaturen boven 130°C kunnen leiden tot een explosie.
  - g) **Neem alle laad instructies in acht en laad het accupack of het gereedschap niet buiten het gespecificeerde temperatuurbereik in de handleiding op.** Het onjuist laden of bij een temperatuur buiten het temperatuurbereik kan de accu beschadigen en er bestaat een gevaar op brand.
- #### 6) SERVICE
- a) **Laat uw elektrisch gereedschap repareren door een gekwalificeerde reparateur en alleen met identieke reserve-onderdelen.** Dit waarborgt de veiligheid van het elektrisch gereedschap.
  - b) **Repareer beschadigde accupacks nooit.** Onderhoud van accupacks mag alleen worden uitgevoerd door de fabrikant of een geautoriseerde dienstverlener.

#### VEILIGHEIDSLINSTRUCTIES VOOR ACCU KLOPBOORMACHINES

## 1) VEILIGHEIDSVOORSCHRIFTEN VOOR ALLE WERKZAAMHEDEN

- a) **Draag gehoorbescherming tijdens klopboren.**  
Blootstelling aan lawaai kan gehoorverlies tot gevolg hebben.
- b) **Houd het elektrisch gereedschap vast aan de geïsoleerde grepen, als u een handeling uitvoert waarbij het zaagaccessoire of bevestigingsmiddel in contact kan komen met verborgen bedrading.**  
Contact met een onder spanning staande leiding kan ook metalen delen van het elektrische gereedschap onder spanning zetten en tot een elektrische schok leiden.

## 2) VEILIGHEIDSVOORSCHRIFTEN VOOR HET GEBRUIK VAN LANGE BOORBITS

- a) **Werk nooit met hogere snelheden dan de maximale snelheid van de boorbit.** Bij hogere snelheden kan de bit gaan buigen als men hem vrij laat draaien zonder contact met het werkstuk, wat persoonlijk letsel tot gevolg kan hebben.
- b) **Begin altijd bij lage snelheid te boren en met de punt van de boor in contact met het werkstuk.** Bij hogere snelheden kan de bit gaan buigen als men hem vrij laat draaien zonder contact met het werkstuk, wat persoonlijk letsel tot gevolg kan hebben.
- c) **Oefen uitsluitend kracht uit in de directe richting van de bit en oefen geen excessieve kracht uit.** Bits kunnen buigen waardoor ze kunnen breken of men de controle verliest, met persoonlijk letsel als gevolg.

## ALGEMEEN

- Stof van materiaal zoals loodhoudende verf, sommige houtsoorten, mineralen en metaal kunnen schadelijk zijn (contact met of inademing van de stof kan allergische reacties en/of ademhalingsziekten bij gebruiker of omstanders veroorzaken); **draag een stofmasker en werk met een stofopvangvoorziening als die kan worden aangesloten**
- Bepaalde soorten stof zijn geclassificeerd als kankerverwekkend (zoals stof van eiken en beuken), met name in combinatie met toevoegingsmiddelen voor houtverzorging; **draag een stofmasker en werk met een stofopvang-voorziening als die kan worden aangesloten**
- Neem voor de door u te bewerken materialen de nationale voorschriften aangaande stofopvang in acht
- **Bewerk geen asbesthoudend materiaal** (asbest geldt als kankerverwekkend)
- Zorg ervoor, dat schakelaar J ② in de midden- (blokkeer-) positie staat, vóórdat u het gereedschap instelt of accessoires vervangt en ook wanneer u het gereedschap draagt of opbergt

## ACCESSOIRES

- SKIL kan alleen een correcte werking van het gereedschap garanderen, indien originele accessoires worden gebruikt
- Gebruik alleen accessoires met een toegestaan toerental, dat minstens even hoog is als het hoogste onbelaste toerental van het gereedschap

## VOÓR GEBRUIK

- Voorkom schade, die kan ontstaan door schroeven, spijkers en andere voorwerpen in uw werkstuk; verwijder deze, voordat u aan een karwei begint
- **Zet het werkstuk vast** (een werkstuk, dat is vastgezet met klemmen of in een bankschroef, zit steviger vast dan wanneer het met de hand wordt vastgehouden)

- **Gebruik een geschikt detectieapparaat om verborgen stroom-, gas- of waterleidingen op te sporen of raadpleeg het plaatselijke energie- of waterleidingbedrijf** (contact met elektrische leidingen kan tot brand of een elektrische schok leiden; beschadiging van een gasleiding kan tot een explosie leiden; breuk van een waterleiding veroorzaakt materiële schade en kan tot een elektrische schok leiden)

## BATTERIJEN

- **De meegeleverde accu, wanneer aanwezig, is deels opgeladen** (om een volledige capaciteit van de accu te garanderen, moet u de accu volledig opladen in de oplader voordat u uw elektrische gereedschap voor de eerste keer gebruikt)
- **Gebruik uitsluitend de volgende batterijen en opladers voor deze machine**
  - SKIL-batterij: BR1\*31\*\*\*\*
  - SKIL-oplader: CR1\*31\*\*\*\*
- Gebruik de batterij niet, wanneer deze beschadigd is; vervang deze onmiddellijk
- Haal de batterij niet uit elkaar
- Stel machine/batterij niet bloot aan regen
- Toegestane omgevingstemperatuur (machine/oplader/batterij):
  - bij het laden 4...40°C
  - bij het gebruik -20...+50°C
  - bij opslag -20...+50°C

## UITLEG VAN SYMBOLEN OP GEREEDSCHAP/BATTERIJ

- ③ Lees de gebruiksaanwijzing vóór gebruik
- ④ Accu's exploderen als zij in vuur worden gegooid, dus verbrand de accu in geen geval
- ⑤ Bewaar het gereedschap/oplader/batterij op een plaats, waar de temperatuur niet hoger dan 50°C kan worden
- ⑥ Geef elektrisch gereedschap en batterijen niet met het huisvuil mee

## GEBRUIK

- Gecombineerde schakelaar voor aan/uit en snelheidsinstelling A ②
  - regel het toerental traploos van 0 tot maximum door de schakelaar dieper in te drukken
- Opladen batterij
  - ! lees de veiligheids waarschuwingen en -voorschriften die bij de oplader worden geleverd
- Verwijderen/installeren van de batterij ②
- Batterijniveau-indicator ⑦
  - Druk op de accuniveau-indicatorknop M om het huidige accuniveau weer te geven ⑦a
  - ! als de laagste accuniveau-indicator begint te knipperen na het drukken van knop M ⑦b, is de accu leeg
  - ! Als 2 niveaus van de accu-indicator beginnen te knipperen na het drukken van knop M ⑦c, bevindt de accu zich niet binnen het toegestane temperatuurbereik voor gebruik
- De draairichting veranderen ⑧
  - als de omkeerschakelaar niet in de uiterste stand op links/rechts staat, kan schakelaar A ② niet ingedrukt worden
  - ! schakel de draairichting alleen om als de machine volledig stilstaat
- Verwisselen van bits ⑨
  - ! gebruik geen bits met een beschadigde schacht
- Koppelregeling (VariTorque) ⑩

- het afgegeven koppel zal toenemen als koppelingsring B wordt vermeld van positie 1 naar positie 17
- voor het indraaien van schroeven met VariTorque positie 1 beginnen en het koppel verhogen, totdat de gewenste diepte is bereikt
- in positie D is de koppeling geblokkeerd, hetgeen zware schroefwerkzaamheden en (niet-klop)boren mogelijk maakt
- in positie C is de koppeling geblokkeerd, waardoor alleen klopboren mogelijk is

**! zorg dat toerentschakelaar G in positie 2 staat wanneer functieschakelaar F in de klopboorpositie staat**

**! gebruik de klopboorpositie C niet bij het boren in hout, metaal, keramiek en kunststof om te voorkomen dat de boorpunt/schroefstift beschadigt raakt**

- Mechanische toerentalkeuze ⑪
  - zet schakelaar G op het gewenste toerental
- ! bedien de toerentschakelaar alleen als het gereedschap langzaam draait**
- 1**
  - laag toerental
  - hoog koppel
  - voor schroeven en boren van grote diameters
  - voor draadtappen
- 2**
  - hoog toerental
  - lager koppel
  - voor klopboren
  - voor boren van kleine diameters
- WERKLAMP K ⑫
  - WERKLAMP K brandt wanneer het gereedschap wordt ingeschakeld.
- ! als de WERKLAMP gaat knippen is de accubescherming geactiveerd (zie hieronder)**
- Accubescherming
 

De machine wordt plotseling uitgeschakeld of kan niet meer worden ingeschakeld, wanneer

  - **de belasting te hoog is** -> verwijder de belasting en start opnieuw
  - **de temperatuur van de accu niet binnen het toegestane bedrijfstemperatuurbereik van -20 tot +50°C ligt** -> 2 niveaus van de accu niveau-indicator beginnen te knippen als er op knop M ⑦c wordt gedrukt; wacht tot de accu weer binnen het toegestane bedrijfstemperatuurbereik zit
  - **de accu bijna leeg is (ter bescherming tegen diepe ontlading)** -> er wordt een laag accuniveau of knipperend accuniveau ⑦b aangegeven door de accuniveau-indicator als er op knop M wordt gedrukt; accu opladen

**! blijf niet op de aan/uit-schakelaar drukken nadat het gereedschap automatisch is uitgeschakeld; de batterij kan beschadigd worden**
- Vasthouden en leiden van het gereedschap ⑬
  - ! houd het gereedschap tijdens het werk altijd vast bij het (de) grijs gekleurde greepvlak(ken)**
  - houd ventilatie-openingen H ② onbedekt
  - oefen niet te veel druk uit; laat het gereedschap het werk voor u doen

- Gebruik de juiste bits ⑭
- ! gebruik uitsluitend scherpe bits**
- Bij het boren in ijzerhoudende metalen
  - een kleiner gat voorboren, wanneer een groot gat nodig is
  - vet de boorpunt af en toe met olie in
- Altijd een gat voorboren bij het schroeven in/vlakbij de kopse- of zijkant van hout
- Voor een optimaal gebruik van uw machine is het nodig stevig op de schroef te drukken, met name bij uitdraaien
- Voor het indraaien van schroeven in hard hout dient een gat voorgeboord te worden
- Splintervrij boren in hout ⑮
- Stofvrij boren in muren ⑯
- Stofvrij boren in plafonds ⑰
- Boren in tegels zonder wegglijden ⑱
- Voor meer informatie zie [www.skil.com](http://www.skil.com)

## ONDERHOUD / SERVICE

- Dit gereedschap is niet bedoeld voor professioneel gebruik
- Houd het gereedschap altijd schoon (met name de ventilatiesleuven H ②)
  - ! verwijder voor het reinigen de batterij uit het gereedschap**
- Mocht het elektrische gereedschap ondanks zorgvuldige fabricage- en testmethoden toch defect raken, dient de reparatie te worden uitgevoerd door een erkende klantenservice voor SKIL elektrische gereedschappen
  - stuur het gereedschap niet gedemonteerd, samen met het aankoopbewijs, naar het verkoopadres of het dichtstbijzijnde SKIL service-station (de adressen evenals de onderdeeltekening van de machine vindt u op [www.skil.com](http://www.skil.com))
- Denk erom, dat beschadigingen als gevolg van overbelasting of onjuist gebruik van de machine niet onder de garantie vallen (voor de garantievoorzwaarden van SKIL zie [www.skil.com](http://www.skil.com) of raadpleeg uw dealer)

## MILIEU

- **Geef elektrisch gereedschap, batterijen, accessoires en verpakkingen niet met het huisvuil mee** (alleen voor EU-landen)
  - volgens de Europese richtlijn 2012/19/EG inzake oude elektrische en elektronische apparaten en de toepassing daarvan binnen de nationale wetgeving, dient afgedankt elektrisch gereedschap gescheiden te worden ingezameld en te worden afgevoerd naar een recycle-bedrijf, dat voldoet aan de geldende milieueisen
  - symbool ⑥ zal u eraan herinneren als u het gereedschap moet afdanken
- ! bescherm de batterij-contacten met stevig plakband voordat ze afgedankt worden, om kortsluiting te voorkomen**

## GELUID / VIBRATIE

- Gemeten in navolging van EN 62841 is het geluidsdrukkniveau van dit gereedschap 90 dB (A) en het geluidsvermogensniveau 98 dB (A) (onzekerheid K = 5 dB), en de trilling \* (triax vector som; onzekerheid K = 1,5 m/s<sup>2</sup>)

## TOEPASSINGSADVIES



\* bij het boren in metaal 12,41 m/s<sup>2</sup>

\* bij het klopboren in beton 14,49 m/s<sup>2</sup>

- Het trillingsemisniveaui is gemeten in overeenstemming met een gestandaardiseerde test volgens EN 62841; deze mag worden gebruikt om twee machines met elkaar te vergelijken en als voorlopige beoordeling van de blootstelling aan trilling bij gebruik van de machine voor de vermelde toepassingen
  - gebruik van het gereedschap voor andere toepassingen, of met andere of slecht onderhouden accessoires, kan het blootstellingsniveau aanzienlijk **verhogen**
  - wanneer het gereedschap is uitgeschakeld of wanneer het is ingeschakeld maar geen werk verricht, kan dit het blootstellingsniveau aanzienlijk **reduceren**
- ! bescherm uzelf tegen de gevolgen van trilling door het gereedschap en de accessoires te onderhouden, uw handen warm te houden en uw werkwijze te organiseren**

S

## Borstl6s slagborrmaskin

3021

### INTRODUKTION

- Detta verktyg 6r avsett f6r att dra 6t och lossa skruvar, samt f6r b6rning i tr6, keramik och plast och f6r slagb6rning i tegel.
- Det h6r verktyget 6r inte avsedd f6r yrkesm6ssig anv6ndning.
- L6s igenom och spara denna bruksanvisning ③

### TEKNISKA DATA ①

Max. vridmoment h6rt skruvf6rband enligt ISO 5393: 55 Nm

### VERKTYGSELEMENT ②

- A Str6mbrytare f6r till/fr6n och varvtalsreglering
- B Ring f6r justering av vridmoment
- C Slagborrposition
- D Borrposition
- E Skruvdragningsposition
- F Omkopplare f6r byte av funktion
- G V6xell6gesomkopplare
- H Ventilations6ppning
- J Omkopplare f6r reversering av rotationsriktningen
- K ARBETSLAMPA
- L Chuck
- M Knapp batteriniv6indikator
- N Bits med dubbla 6ndar

### S6KERHET

#### ALLM6NNA S6KERHETSVARNINGAR F6R ELVERKTYG

**⚠ VARNING** L6s igenom alla s6kerhetsvarningar, instruktioner, illustrationer och specifikationer som medf6ljer detta elverktyg. Underl6ttenhet att f6lja alla instruktioner som listas nedan kan resultera i elektriska st6tar, brand och/eller allvarliga personskador.

#### Spars alla varningar och instruktioner f6r framtida referens

Termen "elverktyg" i varningarna syftar p6 ditt eldrivna (sladdanslutna) elverktyg eller batteridrivna (sladdl6sa) elverktyg.

#### 1) ARBETSPLATSS6KERHET

- a) **H6ll arbetsomr6det rent och ordentligt upplyst.** Belamrade eller m6rka omr6den inbjuder till olyckor.
- b) **Anv6nd inte elverktyg i explosiva milj6er som t.ex. i n6rvaron av brandfarliga v6tskor, gaser eller damm.** Elverktyg skapar gnistor vilka kan ant6nda dammet eller 6ngorna.
- c) **H6ll barn och 6sk6dare borta medan elverktyget arbetar.** St6rningarna kan g6ra att du tappar kontrollen.

#### 2) ELEKTRISK S6KERHET

- a) **Elverktygets kontakter m6ste matcha uttaget. Modifiera aldrig kontakten p6 n6got s6tt. Anv6nd inte n6gon adapterkontakt med motordrivna verktyg som 6r jordade.** Stickkontakter som inte modifierats och passar i eluttaget minskar risken f6r elektriska st6tar.
- b) **Undvik kroppskontakt med jordanslutna eller jordade ytor s6som r6r, v6rmeelement, spisar och kylsk6p.** Det finns en 6kad risk f6r elektrisk st6t om din kropp 6r jordansluten eller jordad.
- c) **Uts6tt inte elverktyg f6r regn eller v6ta f6rh6llanden.** Vatten som kommer in i ett elektriskt verktyg 6kar risken f6r elektriska st6tar.
- d) **Vanv6rda inte sladden. Anv6nd aldrig kabeln f6r att b6ra, sl6pa eller dra ut kontakten f6r elverktyget. H6ll kabeln borta fr6n v6rme, olja, skarpa kanter och r6rliga delar.** Skadade eller tilltrasslade sladdar 6kar risken f6r elektrisk st6t.
- e) **Vid anv6ndning av motordrivna verktyg utomhus, anv6nd en f6rl6ngningskabel som 6r avsedd f6r utomhusbruk.** Anv6ndning av en sladd som passar f6r utomhusanv6ndning minskar risken f6r elektrisk st6t.
- f) **Om du m6ste anv6nda ett motordrivet verktyg i en fuktig milj6, anv6nd en jordfelsbrytare.** En jordfelsbrytare minskar risken f6r elektriska st6tar.

#### 3) PERSONLIG S6KERHET

- a) **Var uppm6rksam och observant samt anv6nd sunt f6rnuft n6r du anv6nder ett elverktyg.** Anv6nd inte ett motordrivet verktyg om du 6r tr6tt eller under p6verkan av droger, alkohol eller medicin. Ett 6gonblick av ouppm6rksamhet under arbete med elverktyg kan resultera i allvarliga personskador.
- b) **Anv6nd personlig skyddsutrustning. Anv6nd alltid skyddsglas6gon.** Minska risken f6r personskador genom att anv6nda skyddsutrustning som t.ex. ansiktsmask, halkfria skyddsskor, hj6lm och h6rselskydd.
- c) **F6rebygg oavsiktlig start. Se till att str6mbrytaren 6r i fr6nl6ge innan du ansluter till str6mk6llan och/eller batteripaketet, plockar upp eller b6r verktyget.** Att b6ra elverktyget med fingret p6 str6mbrytaren eller verktyg som 6r p6slagna inbjuder till olyckor.
- d) **Ta bort inst6llningsnycklar eller skiftnycklar innan elverktyget sl6s p6.** En skiftnyckel eller en nyckel som sitter kvar p6 en roterande del av elverktyget kan resultera i personskada.
- e) **Str6ck dig inte f6r l6ngt. Ha ordentligt fotf6ste och balans hela tiden.** Detta m6jligg6r b6ttre kontroll av

elverktuget i oväntade situationer.

- f) **Klä dig på lämpligt sätt. Använd inte löst sittande kläder eller smycken.** Håll hår och klädsel på avstånd från de rörliga delarna. Löst sittande kläder, smycken och långt hår kan fastna i de rörliga delarna.
- g) **Om enheter har anslutning för dammuppsamlare och anslutningsmöjligheter, se till att de är anslutna och används på korrekt sätt.** Användning av dammuppsamlare kan minska dammrelaterade faror.
- h) **Var alltid uppmärksam vid användning av verktyget, även efter många användningstillfällen, och ignorera inte verktygets säkerhetsprinciper.** En vårdslös handling kan orsaka allvarliga personskador inom bråkdelen av en sekund.
- 4) **ANVÄNDNING OCH SKÖTSEL AV ELVERKTYG**
  - a) **Tvinga inte elverktuget. Använd ett korrekt elverktyg för ditt arbete.** Ett korrekt elverktyg utför jobbet bättre och säkrare om det används för rätt arbete.
  - b) **Använd inte elverktuget om strömbrytaren inte kan slås på eller stängas av.** Ett elverktyg som inte kan kontrolleras med strömbrytaren är farligt och måste repareras.
  - c) **Koppla ur stickkontakten från strömkällan och/eller ta bort batteripaketet, om det är löstagbart, från elverktuget innan du utför justeringar, byter tillbehör eller förvarar elverktuget.** Dessa förebyggande säkerhetsåtgärder minskar risken för att elverktuget startas oavsiktligt.
  - d) **Förvara elverktyg som går på tomgång utom räckhåll för barn och låt inte personer som är ovana med elverktuget eller dessa instruktioner använda elverktuget.** Elverktyg är farliga i händerna på utbildade användare.
  - e) **Underhåll av elverktyg och tillbehör. Kontrollera felinställningar eller om rörliga delar har fastnat, bristning hos delar och andra eventuella förhållanden som kan komma att påverka elverktugets funktion.** Om skadad, lämna in elverktuget för reparation innan det används. Många olyckor beror på dåligt underhållna elverktyg.
  - f) **Håll kapverktyg vassa och rena.** Ordentligt underhållna kapverktyg med vassa sågkanter är mindre sannolika att fastna och är lättare att kontrollera.
  - g) **Använd elverktuget, tillbehör, verktygsbits osv. i enlighet med dessa instruktioner och ta hänsyn till arbetsförhållanden och det arbete som ska utföras.** Om elverktuget används för andra arbeten än det är avsett för kan det resultera i farliga situationer.
  - h) **Håll handtagen och greppytorna torra, rena och fria från olja och fett.** Hala handtag och greppytor förhindrar säker hantering och kontroll av verktyget vid oväntade situationer.
- 5) **ANVÄNDNING OCH SKÖTSEL AV BATTERIDRIVET VERKTYG**
  - a) **Ladda endast med den laddare som rekommenderas av tillverkaren.** En laddare som är lämplig för en typ av batteripaket kan skapa en risk för brand när den används med ett annat batteripaket.
  - b) **Använd endast elverktyg med deras särskilt avsedda batteripaket.** Användning av andra batteripaket kan medföra risk för personskador och eld.
  - c) **När batteripaket inte används bör det hållas borta från andra metallföremål som gem, mynt, nycklar,**

**spikar, skruvar och andra små metallföremål som kan skapa kontakt mellan de två polerna.** Kortslutning av batteriets terminaler kan orsaka brännskador eller en brand.

- d) **Under olämpliga förhållanden kan vätska spruta ut från batteriet. Undvik kontakt. Vid oavsiktlig kontakt, spola med vatten.** Om vätskan kommer i kontakt med ögonen, sök också läkarhjälp. Vätska som sprutar ur batteriet kan orsaka sveda och brännskador.
- e) **Använd inte ett batteripaket eller verktyg som skadats eller modifierats.** Skadade eller modifierade batterier kan leda till oförutsägbart uppträdande som leder till brand, explosion eller risk för personskador.
- f) **Utsätt inte batteripaketet eller verktyget för eld eller extrema temperaturer.** Exponering av eld eller temperaturer över 130 °C kan orsaka explosion.
- g) **Följ alla laddningsinstruktioner och ladda inte batteripaketet eller verktyget utanför det temperaturområde som anges i instruktionerna.** Felaktig laddning eller vid temperaturer utanför angivet temperaturområde kan skada batteriet och ökar risken för brand.
- 6) **SERVICE**
  - a) **Lämna ditt elverktyg för service hos en kvalificerad servicetekniker som endast använder identiska utbytesdelar.** Det garanterar att säkerheten hos elverktugets bibehålls.
  - b) **Utför aldrig service på skadade batteripaket.** Service av batteripaket bör endast utföras av tillverkaren eller auktoriserade serviceverkstäder.

## SÄKERHETSANVISNINGAR FÖR SLADDLÖS BORRHAMMARE

### 1) SÄKERHETSANVISNINGAR FÖR ALLA ÅTGÄRDER

- a) **Använd hörselskydd vid slagborrning.** Buller kan orsaka hörselnedsättning.
- b) **Håll endast elverktuget i de isolerade greppytorna när arbete utförs där sågtillbehöret kan komma i kontakt med dolda elledning.** Skärtillbehör och fästen som kommer i kontakt med en strömförande ledning kan medföra att verktygets exponerade metalldelar blir strömförande och leda till att användaren får en elektrisk stöt.

### 2) SÄKERHETSANVISNINGAR VID ANVÄNDNING AV LÅNGA BORRBITAR

- a) **Använd aldrig högre varvtal än borrbittens klassade maximala varvtal.** Vid högre varvtal är det troligt att biten böjs om den får rotera fritt utan kontakt med arbetsstycket, vilket kan leda till personskador.
- b) **Börja alltid borra med låg hastighet och med bitspetsen i kontakt med arbetsstycket.** Vid högre varvtal är det troligt att biten böjs om den får rotera fritt utan kontakt med arbetsstycket, vilket kan leda till personskador.
- c) **Använd tryck endast i direkt linje med biten och tryck inte för mycket.** Bitar kan böjas, vilket orsakar brott eller förlorad kontroll, vilket kan leda till personskador.

### ALLMÄNT

- Viss typ av damm, exempelvis färg som innehåller bly, vissa träsorter, mineraler och metaller kan vara hälsovådliga om de inhaleras (hudkontakt

eller inhalering kan ge allergisk reaktion och/eller luftvägsproblem/sjukdom hos personer i närheten);  
**använd andningsskydd och arbeta med en dammuppsamlare om sådan anslutning finns**

- Vissa typer av damm är klassificerade så som cancerframkallande (t.ex. ek- och björkdamm) särskilt i kombination med tillsatser för träbehandling;  
**använd andningsskydd och arbeta med en dammuppsamlare om sådan anslutning finns**
- Följ de nationella krav, som finns angående damm, för de material du skall arbeta med
- **Asbesthaltigt material får inte bearbetas** (asbest anses vara cancerframkallande)
- Kontrollera att omkopplare J ② är i mellan position (låst läge) innan inställningar utförs eller tillbehörskomponenter byts eller maskinen transporteras eller lagras

#### TILLBEHÖR

- SKIL kan endast garantera att maskinen fungerar felfritt om originaltillbehör används
- Använd endast tillbehör vilkas tillåtna varvtal åtminstone motsvarar maskinens högsta tomgångsvarvtal

#### FÖRE ANVÄNDNINGEN

- Undvik skador genom att ta bort skruvar, spikar eller andra föremål ur arbetsstycket; ta dem bort innan du startar ett arbete
- **Sätt fast arbetsstycket** (ett arbetsstycke festsatt med skruvtingar eller i ett skruvstöd är mera stabilt än om det hålls fast för hand)
- **Använd lämpliga detektorer för lokalisering av dolda försörjningsledningar eller konsultera lokalt distributionsföretag** (kontakt med elledning kan förorsaka brand och elstöt; en skadad gasledning kan leda till explosion; borrarning i vattenledning kan förorsaka egendomsskador eller elstöt)

#### BATTERIER

- **Det medföljande batteriet, om något, är delvis laddat** (i syfte att garantera batteriets fulla kapacitet ska det laddas fullt i batteriladdaren innan verktyget används för första gången)
- **Använd endast följande batterier och laddare med det här verktyget**
  - SKIL-batteri: BR1\*31\*\*\*\*
  - SKIL-laddare: CR1\*31\*\*\*\*
- Använd aldrig trasigt batteriet; de skall omedelbart bytas ut
- Demontera inte batteriet
- Utsätt inte verktyget/batteriet för regn
- Tillåten omgivningstemperatur (verktyg/laddare/batteri):
- vid laddning 4...40 °C
- vid drift -20...+50 °C
- vid förvaring -20...+50 °C

#### FÖRKLARING AV SYMBOLER PÅ VERKTYGET/ BATTERIET

- ③ Läs bruksanvisningen före användning
- ④ Batterierna kan explodera om de utsätts för eld så bränn inte batteriet av något skäl
- ⑤ Förvara verktyget/laddaren/batteriet i lokaler, där temperaturen inte överstiger 50 °C
- ⑥ Kasta inte elektriska verktyg och batterier i hushållssoptorna

#### ANVÄNDNING

- Kombinerad strömbrytare och hastighetskontroll A ②
  - variera hastigheten steglöst från noll till maximum

- genom att trycka mer eller mindre på avtryckaren
- Laddning av batteri
  - ! **läs säkerhetsvarningarna och anvisningarna som medföljde laddaren**
- Borttagning/installation av batteriet ②
- Batterinivåindikator ⑦
  - tryck på indikatorknappen för batterinivå M för att visa nuvarande batterinivå ⑦a
  - ! **när den lägsta nivån hos batteriindikatorn börjar blinka efter att knappen M ⑦b tryckts in är batteriet tomt**
  - ! **när två nivåer av batteriindikatorn börjar blinka efter att knappen K ⑦c tryckts in är inte batteriet inom tillåtet drifttemperaturområde**
- Ändra rotationsriktningen ⑧
  - om inte vänster/höger är inställt i rätt läge, kan inte strömbrytaren A ② aktiveras
  - ! **ändra rotationsriktningen när maskinen är helt stilla**
- Byte av bits ⑨
  - ! **använd aldrig bits med trasigt skaft**
- Vridmomentkontroll (VarTorque) ⑩
  - utgående vridmoment kommer att öka när kopplingsringen B vrids från 1 till 17
  - vid idragning av en skruv, försök först med VarTorque position 1 och öka tills det rätta djupet är nått
  - läge D läser kopplingen för att tillåta (icke-stötande) borrarning eller körning av tungt arbete
  - läge C läser upp kopplingsläget för att enbart tillåta slagborrning
  - ! **kontrollera att växellägesomkopplaren G står på läge 2 när funktionsväljaren F är inställd på slagborrningsläget**
  - ! **använd inte slagborrningsläget C för borrarning i trä, metall, keramik eller plast då detta kan skada borren/skruvbitsen**
- Mekaniskt växelval ⑪
  - ställ in omkopplaren G på önskat varvtal
  - ! **aktivera växelväljaren när verktyget körs långsamt**
  - 1
    - låg hastighet
    - högt vridmoment
    - för skruvdragning och borrarning av stora diametrar
    - för gångskärning
  - 2
    - hög hastighet
    - lågt vridmoment
    - för slagborrning
    - för borrarning av små diametrar
- WORKLIGHT K ⑫
  - ARBETSLAMPA K tänds när verktyget är påslaget.
  - ! **när ARBETSLAMPAN börjar att blinka, är batteriskyddet aktiverat (se nedan)**
- Batteriskydd
  - Verktyget stängs plötsligt av eller förhindras att startas när
    - **belastningen är alltför hög** --> ta bort belastning och starta om
    - **batteriets temperatur är inte inom tillåtet drifttemperaturområde på -20 till +50 °C** --> två nivåer på batteriindikatorns nivåindikator börjar blinka när knappen M ⑦c trycks in; vänta tills batteriet har återgått till tillåtet drifttemperaturområde

- batteriet är nästan tomt (för att skydda mot djup urladdning) --> en låg batterinivå eller blinkande låg batterinivå ⑦ b visas av indikatorn för batterinivån när knappen M trycks in; ladda batteriet

**! fortsätt inte trycka på strömbrytaren efter att verktyget stängts av automatiskt; batteriet kan skadas**

- Fasthållning och styrning av verktyget ⑭
- ! under arbetet, håll alltid verktyget i det gråfärgade greppområdet**
- håll ventilationsöppningarna H ② fria
- lägg inte för mycket tryck på verktyget; låt verktyget göra arbetet åt dig

## ANVÄNDNINGSTIPS

- Använd lämpliga bits ⑮
- ! använd endast vassa bits**
- När du borrar i järnmetaller
  - förborra ett mindre hål då ett större behövs
  - olja in borren emellanåt
- Vid idragning av en skruv nära kortänden eller på sidan av trä materialet skall förborring ske för att undvika sprickbildning
- För bästa användning av maskinen är det nödvändigt med ett jämnt tryck på skruven, speciellt vid urdragning
- Vid skruvning i hårt trä bör man först förborra ett hål
- Splitterfri borring i trä ⑯
- Dammfri borring i väggar ⑰
- Dammfri borring i tak ⑱
- Borring i kakel utan att slinta ⑲
- Besök [www.skil.com](http://www.skil.com) för mer information

## UNDERHÅLL / SERVICE

- Det här verktyget är inte avsedd för yrkesmässig användning
- Håll alltid verktyget rent (i synnerhet ventilationsöppningarna H ②)
- ! ta bort batteriet från verktyget före rengöring**
- Om i elverktyget trots exakt tillverkning och sträng kontroll störning skulle uppstå, bör reparation utföras av auktoriserad serviceverkstad för SKIL elverktyg
  - skicka verktyget odemonterat tillsammans med inköpsbevis till försäljaren eller till närmaste SKIL serviceverkstad (adresser samt sprängskisser av verktyget finns på [www.skil.com](http://www.skil.com))
- Observera att skada till följd av ovarsamhet eller överbelastning inte täcks av garantin (för SKIL garantivillkor gå till [www.skil.com](http://www.skil.com) eller fråga återförsäljaren)

## MILJÖ

- **Elektriska verktyg, batterier, tillbehör och förpackning får inte kastas i hushållssoptorna** (gäller endast EU-länder)
  - enligt europeiska direktivet 2012/19/EG avseende avfall från elektrisk och elektronisk utrustning och dess tillämpning enligt nationell lagstiftning ska uttjänta elektriska verktyg sorteras separat och lämnas till miljövänlig återvinning
  - symbolen ⑥ kommer att påminna om detta när det är dags för avyttring
- ! före avyttring av batterierna, tejpa kontaktytorna**

med kraftig tejp för att undvika kortslutning

## LJUD / VIBRATION

- Det här verktygets ljudtrycksnivå som uppmätts i enlighet med EN 62841 och ljudtrycksnivån för detta verktyg är 90 dB(A) och ljudeffektnivån 98 dB(A) (osäkerhet K = 5 dB) och vibrationen (triaxvektorsumma; osäkerhet K = 1,5 m/s<sup>2</sup>)
  - \* vid borring i metall 12,41 m/s<sup>2</sup>
  - \* vid slagborring i betong 14,49 m/s<sup>2</sup>
- Vibrationsemissionsvärdet har uppmätts enligt ett standardiserat test i enlighet med EN 62841; detta värde kan användas för att jämföra vibrationen hos olika verktyg och som en ungefärlig uppskattning av hur stor vibration användaren utsätts för när verktyget används enligt det avsedda syftet
  - om verktyget används för annat arbete än det avsedda syftet eller med fel eller dåligt underhållna tillbehör kan detta drastiskt öka exponeringsnivån
  - när verktyget stängts av eller körs men inte utför arbetet, kan detta avsevärt minska exponeringsnivån
- ! skydda dig mot effekterna av vibrationer genom att underhålla verktyget och dess tillbehör, hålla händerna varma och organisera ditt arbetsmönster**

(DK)

## Børsteløs slagboremaskine

3021

## INTRODUKTION

- Dette værktøj er beregnet til, at stramme og løsne skruer samt til boring i træ, keramik og plast og til slagboring i mursten.
- Dette værktøj er ikke beregnet til professionelt brug.
- Læs og gem denne brugsanvisning. ③

## TEKNISKE DATA ①

Max. drejningsmoment til hårdt skruearbejde iht. ISO 5393: 55 Nm

## VÆRKTØJETS DELE ②

- A Afbryder til tænd/sluk og regulering af omdrejningstal
- B Ring til justering af drejningsmoment
- C Position for slagboring
- D Position for boring
- E Skruetrækkerposition
- F Kontakt til skiftefunktion
- G Gearomskifter
- H Ventilationshuller
- J Omskifter til ændring af omdrejningsretningen
- K ARBEJDSLYS
- L Patron
- M Knap til batteriniveau-indikator
- N Bit med to åbne ender

## SIKKERHED

GENERELLE SIKKERHEDSADVARSLER OM

## ELEKTRISKE APPARATER

**⚠ ADVARSEL** Læs alle sikkerhedsadvarsler, anvisninger, billeder og specifikationer, der følger med dette elværktøj. Hvis anvisningerne nedenfor ikke følges, kan det føre til elektrisk stød, brand og/eller alvorlig personskade.

Gem alle advarsler og instruktioner til fremtidig reference.

Udtrykket »elværktøj« i advarslerne henviser til eldrevet (ledningsforbundet) og batteridrevet (ledningsfrit) elværktøj.

### 1) SIKKERHED PÅ ARBEJDSPLADSEN

- a) **Sørg for, at arbejdsområdet er rent og godt belyst.** Et rodet eller mørkt område kan føre til ulykker.
  - b) **Brug ikke elværktøj i eksplosive atmosfærer, såsom ved tilstedeværelse af brændbare væsker, gasser eller støv.** Elværktøj kan slå gnister og antænde støv og dampe.
  - c) **Hold børn og tilskuere på afstand, når et elværktøj er i brug.** Distraktioner kan medføre, at du mister kontrollen.
- ### 2) SIKKERHED OMKRING ELEKTRICITET
- a) **Stikket på elværktøjet skal passe i stikkontakten. Stikket må på ingen måde ændres. Brug ikke adapterstik sammen med jordede (jordforbundne) elværktøj.** Uændrede stik, der passer til stikkontakterne, nedsætter risikoen for elektrisk stød.
  - b) **Undgå kropskontakt med jordforbundne overflader, såsom rør, radiatorer, komfurer og køleskabe.** Der er øget risiko for elektrisk stød, hvis din krop er jordforbundet.
  - c) **Elværktøj må ikke udsættes for regn eller våde forhold.** Vand kommer ind et elværktøj øger risikoen for elektrisk stød.
  - d) **Ledningen må ikke mishandles. Brug aldrig ledningen til at bære eller trække elværktøjet eller til at trække stikket ud af stikkontakten. Hold ledningen væk fra varme, olie, skarpe kanter og bevægelige dele.** Beskadigede eller sammenflettede ledninger, øger risikoen for elektrisk stød.
  - e) **Når et elværktøj bruges udendørs, skal der bruges en forlængerledning, der er egnet til udendørs brug.** Brug af en egnet ledning til udendørs brug, reducerer risikoen for elektrisk stød.
  - f) **Hvis det ikke kan undgås at benytte apparatet i fugtige omgivelser, så brug et stik med fejlstrømsrelæ.** Anvendelse af et fejlstrømsrelæ mindsker risikoen for elektrisk stød.

### 3) PERSONLIG SIKKERHED

- a) **Vær forsigtig, hold øje med hvad du laver, og brug din sunde fornuft, når du bruger et elværktøj.** Brug ikke apparatet, hvis du er træt eller er påvirket af narkotika, alkohol eller medicin. Et øjeblikks uopmærksomhed, kan føre til alvorlige personskader.
- b) **Brug personligt beskyttelsesudstyr. Brug altid beskyttelsesbriller.** Værnemidler, såsom støvmaske, skridsikre sikkerhedssko, hjelm eller høreværn, der anvendes under passende betingelser, nedsætter risikoen for personskade.
- c) **Forhindre utilsigtet start. Sørg for, at tænd/**

**sluk-knappen er slukket, inden apparatet sluttes til strømkilden eller batteripakken, samt inden det løftes op eller bæres rundt.** Hvis elværktøjer bæres med fingeren på kontakten, eller oplades med tænd/sluk-knappen tændt, øger det risikoen for ulykker.

- d) **Fjern indstillingsværktøj eller skruenøgler, før elværktøjet startes.** En skruenøgle eller en nøgle sidder i en roterende del af elektrisk værktøj, kan resultere i personskade.
  - e) **Undgå at række for langt frem. Sørg altid for at stå ordentligt fast og i god balance.** Dette giver bedre kontrol af det elektriske værktøj når uventede situationer.
  - f) **Brug passende tøj. Brug ikke løstsiddende tøj eller smykker. Hold hår og tøj fra bevægelige dele.** Løstsiddende tøj, smykker eller langt hår kan komme i klemme i bevægelige dele.
  - g) **Hvis der monteres tilbehør til opsamling af støv eller andet, skal det sikres, at disse monteres og bruges korrekt.** Brug af støvindsamlingsenheder, kan reducere støv-relaterede risici.
  - h) **Selvom du ofte bruger og har et godt kendskab til værktøjer, må du ikke være overmodig eller glemme sikkerhedsprincipperne.** En uagtsom handling kan forårsage alvorlig skade i en brøkdelt af et sekund.
- ### 4) BRUG OG PLEJE AF ELVÆRKTØJET
- a) **Elværktøjet må ikke tvinges under brug. Brug det korrekte elværktøj til formålet.** Det rigtige elværktøj gør arbejdet bedre og mere sikkert, da det er beregnet til formålet.
  - b) **Brug ikke elværktøjet, hvis kontakten ikke kan tænde og slukke.** Alt elværktøj, hvor kontakten ikke dur, er farligt og skal repareres.
  - c) **Træk stikket til apparatets strømforsyning ud af stikkontakten og/eller fjern batteripakken hvis dette er muligt, inden du foretager justeringer, skifter tilbehør eller lægger elværktøjet til opbevaring.** Sådanne forebyggende sikkerhedsforanstaltninger mindsker risikoen for at starte elværktøjet utilsigtet.
  - d) **Opbevar elværktøj, der ikke bruges, utilgængeligt for børn, og tillad ikke personer, der ikke kender elværktøjet eller disse anvisninger, at bruge elværktøjet.** Elværktøj er farligt i hænderne på brugere, der ikke ved, hvordan det skal bruges.
  - e) **Vedligehold elværktøj og tilbehør. Kontroller, at de bevægelige dele ikke er fejljusterede eller binder eller er i en tilstand, der kan påvirke elværktøjets drift. Få beskadigede elværktøjet repareret før brug.** Mange ulykker er forårsaget af dårligt vedligeholdt elværktøj.
  - f) **Hold skæreværktøj skarpe og rene.** Skæreværktøjer med skarpe kanter, der vedligeholdes ordentligt, er mindre tilbøjelige til at binde og er lettere at styre.
  - g) **Elværktøjet, tilbehør og bits osv. skal bruges i overensstemmelse med disse instruktioner, hvor arbejdsforholdene og arbejdet, der skal udføres, skal tages i betragtning.** Anvendelse af elværktøj til andre formål end dem, de er beregnet til, kan medføre en farlig situation.
  - h) **Hold håndtag og gribeblader tørre, rene og fri for olie og fedt.** Glatte håndtag og glatte overflader, der holdes i, gør værktøjet farligt at bruge i uventede situationer.
- ### 5) BRUG OG PLEJE AF BATTERIVÆRKTØJER
- a) **Genoplad kun med opladeren er angivet af**

fabrikanten. Hvis en oplader, der er egnet til én slags batteri, bruges med en anden slags batteri, kan det føre til brand.

- b) **Anvend kun elektrisk værktøj med særligt udpegede batteripakker.** Brug af andre batterier kan skabe risiko for personskade og brand.
- c) **Når batteriet ikke er i brug, skal den holdes væk fra andre metalgenstande som papirclips, mønter, nøgler, søm, skruer eller andre små metalgenstande, der kan skabe forbindelse fra en pol til en anden.** Shorting batteripolerne sammen kan forårsage forbrændinger eller brand.
- d) **Ved forkert brug kan der slippe væske ud af batteriet: Undgå kontakt. Hvis det alligevel skulle ske, skylles med vand. Hvis væsken kommer i øjnene, skal man også søge læge.** Væske fra batteriet kan forårsage irritation eller forbrændinger.
- e) **Anvend ikke et batteri eller et værktøj, der er beskadiget eller modificeret.** Beskadigede eller modificerede batterier kan opføre sig uforudsigeligt og forårsage brand, eksplosion eller risiko for personskade.
- f) **Udsæt ikke et batteri eller et værktøj for ild eller for høj temperatur.** Udsættelse for ild eller temperaturer over 130 °C kan forårsage eksplosion.
- g) **Følg alle anvisninger vedrørende opladning, og oplad ikke batteriet eller værktøjet uden for temperaturområdet angivet i anvisningerne.** Forkert opladning eller temperaturer uden for det angivne område kan beskadige batteriet og øge risikoen for brand.
- 6) **SERVICE**
  - a) **Dit elværktøj skal repareres af en kvalificeret person, og der må kun bruges identiske reservedele.** På denne måde sikrer man, at elværktøjet forbliver sikkert at bruge.
  - b) **Udfør aldrig selv service på beskadigede batterier.** Service på batterier må kun udføres af producenten eller godkendte servicecentre.

## SIKKERHEDSINSTRUKSER TIL BATTERIDREVNE SLAGBOREMASKINER

- 1) **SIKKERHEDSANVISNINGER FOR ALT ARBEJDE**
  - a) **Bær høreværn ved slagboring.** Eksponering for støj kan forårsage høreskader.
  - b) **Hold kun elværktøjet på de isolerede gribeblader, hvis det bruges på steder, hvor bore- eller spændestyret kan komme i kontakt med strømførende ledninger.** Skæretilbehør og skruer, der kommer i kontakt med en spændingsførende ledning, kan også sætte eksponerede metaldele på elværktøjet under spænding, hvilket kan give brugeren elektrisk stød.
- 2) **SIKKERHEDSANVISNINGER VED ANVENDELSE AF LANGE BOREBITS**
  - a) **Arbejd aldrig med højere hastighed end den maksimale hastighedsangivelse for borebitten.** Ved højere hastigheder kan borebitten bøje, hvis den får lov til at rotere frit uden kontakt med arbejdsemnet, hvilket medfører personskader.
  - b) **Start altid beringen ved lav hastighed og med bittens spids i kontakt med arbejdsemnet.** Ved højere hastigheder kan borebitten bøje, hvis den får lov til at rotere frit uden kontakt med arbejdsemnet, hvilket

medfører personskader.

- c) **Påfør kun tryk i direkte linje med bitten og anvend ikke for kraftigt tryk.** Bits kan bøje som følge af brud eller manglende kontrol, hvilket kan medføre personskader.

## GENERELT

- Støv fra materiale som f.eks. maling, der indeholder bly, nogle træsorter, mineraler og metal kan være skadeligt (kontakt med eller indånding af støvet kan forårsage allergiske reaktioner og/eller sygdomme i luftvejene hos den, der anvender værktøjet, eller hos omkringstående). **Brug en støvmaske og arbejd med en støvudsugningsanordning, hvor en sådan kan sluttes til**
- Bestemte former for støv er klassificeret som kræftfremkaldende (som f.eks. støv fra eg og bøg) især i forbindelse med tilsætningsstoffer til træbehandling. **Brug en støvmaske og arbejd med en støvudsugningsanordning, hvor en sådan kan sluttes til**
- Følg de nationale krav, hvad angår støv, for de materialer, du ønsker at arbejde med
- **Bearbejd ikke asbestholdigt materiale** (asbest er kræftfremkaldende)
- Kontroller, at afbryder J ② er i midten (låst) inden værktøjet indstilles eller der skiftes tilbehørsdele eller værktøjet bæres eller lægges fra

## TILBEHØR

- SKIL kan kun sikre en korrekt funktion af værktøjet, hvis der benyttes originalt tilbehør
- Der må kun benyttes tilbehør, hvis godkendte omdrejningstal er mindst så højt som værktøjets max. omdrejningstal i ubelastet tilstand

## INDEN BRUG

- Undgå skader forårsaget af skruer, søm eller andre materialer i arbejdsstykket; fjern disse før De begynder at arbejde
- **Fastgør emnet** (det er sikrere at holde emner i en fastgøringsanordning eller skruestik end med hånden)
- **Anvend egnede søgeinstrumenter til at finde frem til skjulte forsyningsledninger eller kontakt det lokale forsyningselskab** (kontakt med elektriske ledninger kan føre til brand og elektrisk stød; beskadigelse af en gasledning kan føre til eksplosion; brud på et vandrør kan føre til materiel skade eller elektrisk stød)

## BATTERIER

- **Det medfølgende batteri (hvis et følger med) er delvist opladet** (for at sikre fuld kapacitet af batteriet skal det oplades helt i batteriopladeren, inden du anvender dit elværktøj første gang)
- **Anvend kun de følgende batterier og batteriopladere, der leveres med dette værktøj**
  - SKIL-batteri: BR1\*31\*\*\*\*
  - SKIL-oplader: CR1\*31\*\*\*\*
- Brug ikke batterier, hvis det er beskadiget. Det bør erstattes straks
- Adskil ikke batteriet
- Udsæt ikke værktøjet/batteriet for regn
- Tilladt omgivelsestemperatur (værktøj/oplader/batteri):
  - ved opladning 4...40°C
  - ved drift -20...+50°C
  - ved opbevaring -20...+50°C

## FORKLARING TIL SYMBOLERNE PÅ VÆRKTØJET/ BATTERI

- ③ Læs instruktionen inden brugen

- ④ Batterier vil eksplodere, hvis de kommer i ild, så forsøg aldrig at brænde batteriet
- ⑤ Opbevar værktøj/opladeren/batteriet i et lokale, hvor temperaturen ikke overstiger 50°C
- ⑥ Elværktøj og batterier må ikke bortskaffes som almindeligt affald

## BETJENING

- Kombineret tænd/sluk-knap og hastighedsknap ②
  - kontroller hastigheden trinløst fra nul til maks. hastighed ved at trykke mere eller mindre på afbryderen
- Opladning af batteriet
  - ! **Læs sikkerhedsadvarselne og -anvisningerne, der følger med opladeren**
- Montering/fjernelse af batteriet ②
- Indikator for batteritilstand ⑦
  - Tryk på knappen for batteriniveauet M for, at se batteriniveauet ⑦a
  - ! **Når batteri-indikatorens nederste niveau blinker, når der trykkes på knappen M ⑦b, er batteriet afladet.**
  - ! **Når batteri-indikatorens andet niveau blinker, når der trykkes på knappen M ⑦c, er batteriet uden for den tilladte driftstemperatur.**
- Ændring af drejeretningen ⑧
  - Tænd/sluk-knappen A② kan ikke tændes, hvis den ikke står helt til venstre/højre
  - ! **ændre kun omdrejningsretningen når værktøjet er standset helt**
- Ændring af bits ⑨
  - ! **brug ikke bits med et beskadiget skaft**
- Justering af drejningsmoment (VariTorque) ⑩
  - trækraften vil forøges når koblingsringen drejes fra 1 til 17
  - ved iskruning af en skrue, prøv først VariTorque stilling 1 og forøg derefter på skalaen indtil den ønskede dybde er nået
  - position D låser koblingsringen, så der kan udføres boring (ikke slagboring) eller kraftig skruining
  - Når koblingsringen sættes på C, låses koblingen, så værktøjet kun kan bore
  - ! **kontroller, at gearknappen står på 2, når koblingsringen står på slagboring**
  - ! **brug ikke slagboringsindstillingen C til boring i træ, metal, keramik eller plastik for herved at undgå, at boret/skruebitten bliver ødelagt**
- Valg af mekanisk gear ⑪
  - stil knappen G på ønskede omdrejningstal
  - ! **tryk på gearomskifteren mens værktøjet kører langsomt**
- 1
  - lav omdrejningstal
  - stor trækraft
  - for iskruning og boring ved store diametre på bor
  - for gevindskæring
- 2
  - høj omdrejningstal
  - lavere trækraft
  - for slagboring
  - for boring ved små diametre
- LED-ARBEJDSLYS K ⑫
  - ARBEJDSLYSSET K lyser, når værktøjet er tændt.
  - ! **Når ARBEJDSLYSSET begynder at blinke, er**

## batteribeskyttelsen slået til (se nedenfor)

- Batteribeskyttelse
  - Værktøjet slukker eller det kan ikke tændes, når
    - **belastning er for høj** --> fjern belastningen og start værktøjet igen
    - **batteritemperaturen er ikke inden for det tilladte område på -20 til +50 °C** -> 2 af trinene på batteri-indikatoren begynder at blinke, når der trykkes på knappen M⑦c. Vent, indtil batteriet er tilbage inden for det tilladte temperaturområde
    - **batteriet er næsten tomt (for at beskytte mod dyb afladning)** -> batteri-indikatoren viser et lavt batteriniveau eller blinkende lavt batteriniveau ⑦b, når der trykkes på knappen M. Oplad batteriet
    - ! **Undlad at betjene kontakten, efter at der er slukket for værktøjet, da det kan beskadige batteriet**
- Håndtering og styring af værktøjet ⑬
  - ! **Når værktøjet bruges, skal du altid holde værktøjet på de grå markerede grebsområde(r)**
    - hold ventilationshullerne H ② utildækkede
    - pres ikke for hårdt med værktøjet; lad værktøjet gøre arbejdet for dig

## GODE RÅD

- Brug rigtige bits ⑭
  - ! **kun bruge skarpe bits**
- Ved boring i jernholdige metaller
  - forbor et mindre hul, når et stort hul skal bores
  - sørg for at smøre boret en gang imellem med olien
- Ved iskruning af en skrue nær endeflader eller i endetræ bør der forbores for at undgå splinter i træet
- For at få optimal glæde af værktøjet er det nødvendig med jævn tryk på skruen, især ved udskruining
- Ved iskruning i hårdt træ anbefales det at forbore
- Splintfri boring i træ ⑮
- Støvfri boring i vægge ⑯
- Støvfri boring i lofter ⑰
- Boring i fliser uden udskridning ⑱
- Se yderligere oplysninger på [www.skil.com](http://www.skil.com)

## VEDLIGEHOLDELSE/SERVICE

- Dette værktøj er ikke beregnet til professionelt brug
- Hold altid værktøjet rent (særligt ventilationshullerne H②)
  - ! **Tag batteriet ud af værktøjet inden rengøring**
- Skulle elværktøjet trods omhyggelig fabrikation og kontrol skulle holde op med at fungere, skal reparationen udføres af et autoriseret serviceværksted for SKIL-elektroværktøj
  - send det ikke adskilte værktøj sammen med et købsbevis til forhandleren eller nærmeste SKIL-serviceværksted (adresser og reservedelstegning af værktøjet findes på [www.skil.com](http://www.skil.com))
- Husk, at beskadigelse som følge af overbelastning eller forkert håndtering af værktøjet ikke er omfattet af garantien (se [www.skil.com](http://www.skil.com) vedrørende SKIL-garantibetingelserne, eller spørg din forhandler)

## MILJØ

- **Elværktøj, batterier, tilbehør og emballage må ikke bortskaffes som almindeligt affald** (kun for EU-lande)
  - i henhold til det europæiske direktiv 2012/19/EF om bortskaffelse af elektriske og elektroniske produkter og gældende national lovgivning, skal brugt elværktøj

indsamles separat og bortskaffes på en måte, der skåner miljøet mest mulig

- symbolet ⑥ erindrer dig om dette, når udskiftning er nødvendig

**! Beskyt batteri terminaler med bredt tape for at undgå kortslutning**

## STØJ / VIBRATION

- Målt i henhold til EN 62841, dette værktøjs lydtrykniveau er 90 dB (A) og lydeffektniveauet er 98 dB (A) (usikkert K = 5 dB) og vibrationen er \* (triaksvektorsum; usikkert K = 1,5 m/s<sup>2</sup>)
    - \* ved boring i metal 12,41 m/s<sup>2</sup>
    - \* ved slagboring i beton 14,49 m/s<sup>2</sup>
  - Vibrationsniveauet er målt i henhold til den standardiserede test som anført i EN 62841. Det kan benyttes til at sammenligne to stykker værktøj og som en foreløbig bedømmelse af udsættelsen for vibrationer, når værktøjet anvendes til de nævnte form
    - anvendes værktøjet til andre formål eller med andet eller dårligt vedligeholdt tilbehør, kan dette **øge** udsættelsesniveauet betydeligt
    - de tidsrum, hvor værktøjet er slukket, eller hvor det kører uden reelt at udføre noget arbejde, kan **reducere** udsættelsesniveauet betydeligt
- ! Beskyt dig selv imod virkningerne af vibrationer ved at vedligeholde værktøjet og dets tilbehør, ved at holde dine hænder varme og ved at organisere dine arbejdsmønstre**

N

## Børsteløs slagbormaskin

3021

## INTRODUKSJON

- Dette verktøyet er beregnet for å stramme og løse skruer, samt for boring i tre, keramikk og plast og for slagboring i murstein.
- Dette verktøyet er ikke beregnet for profesjonell bruk.
- Les og lagre denne bruksanvisningen.③

## TEKNISKE DATA ①

Maks. dreiemoment for hard skruing i henhold til ISO 5393: 55 Nm

## VERKTØYELEMENTER ②

- A Bryter for av/på og hastighetskontroll
- B Ring til momentinnstilling
- C Slagboreposisjon
- D Boreposisjon
- E Skrutrekkerposisjon
- F Funksjonsendringsbryter
- G Girvalgryter
- H Ventilasjonsåpninger
- J Bryter til endring av dreieretning
- K ARBEIDSLYS
- L Chuck
- M Knapp for batterinivåindikator
- N Tosidig bit

## SIKKERHET

### GENERELLE SIKKERHETSADVARSLER FOR ELEKTROVERKTØY

**! ADVARSEL** Les alle sikkerhetsadvarsler, instruksjoner, illustrasjoner og spesifikasjoner som følger med dette elektroverktøyet. Hvis du ikke følger alle instruksjonene nedenfor, kan det føre til elektrisk støt, brann og/eller alvorlig personskade.

**Lagre alle advarsler og instruksjoner for fremtidig referanse.**

Begrepet "elektrisk verktøy" i advarslene refererer til ditt nettdrevne (med ledning) elektroverktøy eller batteridrevne (trådløse) elektroverktøy.

### 1) SIKKERHET I ARBEIDSRÅDET

- a) **Hold arbeidsområdet rent og godt opplyst.** Rotete eller mørke områder gjør at ulykker lettere oppstår.
- b) **Ikke bruk maskinen i eksplosjonsfarlige omgivelser, for eksempel der det finnes brennbare væsker, gasser eller støv.** Elektroverktøy lager gnister som kan antenne støv eller damp.
- c) **Hold barn og andre personer unna når elektroverktøyet er i bruk.** Distraksjoner kan føre til at du mister kontrollen.

### 2) ELEKTRISK SIKKERHET

- a) **Støpselet til elektroverktøyet må passe inn i stikkkontakten. Støpselet må ikke modifiseres på noen som helst måte. Ikke bruk adapterstøpsler sammen med jordede elektroverktøy.** Støpsler det ikke er gjort endringer med og riktige stikkontakter reduserer risikoen for elektrisk støt.
  - b) **Unngå kroppskontakt med jordede eller jordede overflater som rør, radiatorer, avstander og kjøleskap.** Det er økt risiko for elektrisk støt hvis kroppen din er jordet.
  - c) **Ikke utsett elektroverktøyet for regn eller våte omgivelser.** Kommer det vann inn i et elektroverktøy, øker risikoen for elektrisk støt.
  - d) **Ikke utsett ledningen for feil behandling. Unngå å bære eller dra i verktøyet ved hjelp av ledningen, eller å dra i ledningen når du skal ta verktøyet ut av stikkkontakten. Hold ledningen på avstand fra varme, olje, skarpe kanter og bevegelige deler.** Skadede eller sammenfiltrede ledninger øker risikoen for elektriske støt.
  - e) **Når du bruker et elektroverktøy utendørs må du bruke skjøteledning som er godkjent for dette.** Bruk av ledning som er egnet for utendørs bruk reduserer risikoen for elektrisk støt.
  - f) **Hvis du ikke kan unngå å bruke verktøyet i fuktige omgivelser, så benytt en jordfeilbryter.** Bruk av jordfeilbryter reduserer risikoen for elektrisk støt.
- ### 3) PERSONLIG SIKKERHET
- a) **Vær årvåken, se hva du gjør, og følg sunn fornuft når du bruker et elektroverktøy.** Ikke bruk elektroverktøy når du er trøtt eller er påvirket av narkotika, alkohol eller medikamenter. Et øyeblikks uoppmerksomhet mens du bruker elektroverktøy kan føre til alvorlige personskader.
  - b) **Bruk personlig verneutstyr. Bruk alltid vernebriller.** Verneutstyr som støvmaske, skliskre vernesko, hjelm



eller hørselsvern når omgivelsene krever det, reduserer risikoen for personskader.

- c) **Unngå utilsiktet oppstart. Pass på at bryteren er i av-stilling før du kobler til strømkilden og/eller batteripakken, eller når du løfter og bærer verktøyet.**

Å bære elektroverktøy med fingeren på bryteren eller koble til strøm når bryteren er på, skaper farlige situasjoner som kan føre til ulykker.

- d) **Fjern eventuelle justeringsnøkler før du slår på elektroverktøyet.** Et verktøy eller en nøkkel som sitter igjen i en roterende del av elektroverktøyet, kan føre til personskade.
- e) **Ikke strekk deg for langt. Pass på å ha skikkelig fotfeste og balanse til enhver tid.** Dette muliggjør bedre kontroll over elektroverktøyet i uventede situasjoner.
- f) **Kle deg riktig. Ikke bruk løse klær eller smykker. Hold hår og klær på avstand fra bevegelige deler.** Løse klær, smykker eller langt hår kan vikle seg inn i deler som beveger seg.
- g) **Hvis det følger med utstyr for tilkopling av støvavsug og oppsamlingsutstyr, skal disse kobles til og brukes riktig.** Bruk av støvopsamlingsutstyr kan redusere støvrelaterte farer.
- h) **Selv om du har opparbeidet deg erfaring gjennom hyppig bruk av verktøyet må du alltid være årvåken og følge sikkerhetsinstruksjonene.** Et ørlite øyeblikks uoppmerksomhet er alt som skal til for at alvorlige personskader kan oppstå.
- 4) **BRUK OG VEDLIKEHOLD AV ELEKTROVERKTØY**
- a) **Ikke legg press på elektroverktøyet. Bruk et elektroverktøy som er egnet for det du skal gjøre.** Et egnet elektroverktøy vil gjøre jobben på en bedre og tryggere måte, i den hastigheten verktøyet er konstruert for.
- b) **Ikke bruk elektroverktøyet hvis bryteren ikke slår det på og av.** Elektroverktøy som ikke kan kontrolleres med bryteren er farlig og må repareres.
- c) **Koble støpselet fra strømkilden og/eller hvis batteripakken, hvis den kan tas av, fra elektroverktøyet før du foretar justeringer, skifter tilbehør eller oppbevarer elektroverktøy.** Slike forebyggende sikkerhetstiltak reduserer risikoen for at det elektriske verktøyet starter utilsiktet.
- d) **Oppbevar elektroverktøy utilgjengelig for barn, og ikke la personer som ikke er kjent med verktøyet eller disse instruksjonene, betjene maskinen.** Elektroverktøy er farlige når de brukes av uerfarne personer.
- e) **Elektroverktøy og tilbehør må vedlikeholdes. Se etter feil justering eller binding av bevegelige deler, brudd på deler og andre forhold som kan påvirke verktøyet.** Hvis det er skadet, må elektroverktøyet repareres før bruk. Mange ulykker forårsakes av elektroverktøy som ikke er godt vedlikeholdt.
- f) **Hold skjæreverktøyet skjerpet og rent.** Riktig vedlikehold av skjæreverktøy med skarpe kanter gjør at det er mindre sannsynlighet for oppbinding, og at det er lettere å kontrollere.
- g) **Bruk elektroverktøyet, tilbehøret og verktøybitene etc., i samsvar med disse instruksjonene, under hensyntagen til arbeidsforholdene og arbeidet som skal utføres.** Bruk av elektroverktøy til andre formål enn

det som er angitt, kan føre til farlige situasjoner.

- h) **Hold håndtakene og gripeflatene tørre, rene og fri for olje og fett.** Glatte håndtak og gripeflater vil gjøre det vanskelig å kontrollere verktøyet og håndtere det på en sikker måte i uventede situasjoner.

#### 5) **BRUK OG VEDLIKEHOLD AV BATTERIVERKTØY**

- a) **Lades bare med ladere som er spesifisert av produsenten.** En lader som passer for én type batteripakke, kan gi brannfare dersom den brukes med andre batteripakker.
- b) **Elektroverktøyet skal bare brukes med spesifiserte batteripakker.** Bruk av andre batteripakker kan skape risiko for skader og brann.
- c) **Når batteripakken ikke er i bruk, må du holde den borte fra andre metallgjenstander som binders, mynter, nøkler, spiker, skruer eller andre små metallgjenstander som kan opprette forbindelse fra en terminal til en annen.** Kortslutning av batteripolene kan forårsake brannskader eller brann.
- d) **Under farlige forhold kan væske komme ut av batteriet. Unngå kontakt. Hvis kontakt oppstår ved et uhell, skyl med vann.** Får du væske i øynene, skal det i tillegg søkes medisinsk hjelp. Væske som blir slyngt ut av batteriet, kan forårsake irritasjon eller brannskader.
- e) **Ikke bruk en batteripakke eller et verktøy som er skadet eller tilpasset.** Skadde eller modifiserte batterier kan oppføre seg uforutsigbart og medføre brann, eksplosjon eller risiko for personskade.
- f) **Ikke eksponer batteripakken eller verktøyet for ild eller svært høye temperaturer.** Eksponering for ild eller temperaturer over 130 °C kan forårsake eksplosjon.
- g) **Følg alle ladeinstruksjonene, og ikke lad batteripakken eller verktøyet utenfor temperaturområdet som er angitt i instruksjonene.** Hvis batteriet lades på feil måte eller ved temperaturer som er utenfor det angitte området, kan batteriet bli skadet og brannrisikoen øke.
- 6) **SERVICE**
- a) **Elektroverktøyet må repareres av et kvalifisert serviceverksted som kun bruker identiske reservedeler.** Dette opprettholder sikkerheten til elektroverktøyet.
- b) **Batteripakker som er skadet, må aldri brukes.** Service på batteripakker må bare utføres av produsenten eller autoriserte tjenesteleverandører.

#### SIKKERHETSINSTRUKSJONER FOR SLAGDRILL

##### 1) **SIKKERHETSINSTRUKSJONER FOR ALLE BRUKSOMRÅDER**

- a) **Bruk hørselsvern ved slagboring.** Å være utsatt for støy kan medføre hørselstap.
- b) **Hold elektroverktøyet ved isolerte gripeflater når du utfører en operasjon der skjærtlilbehøret eller festet kan komme i kontakt med skjulte ledninger.** Metalldelene på kutteverktøy og fester som kommer i berøring med strømførende ledninger kan bli strømførende og brukeren kan få elektrisk støt.
- 2) **SIKKERHETSANVISNINGER VED BRUK AV LANGE BORER**
- c) **Aldri overskrid boret maksimale hastighet. Ved høyere hastigheter har boret større sjanse for å bøye seg hvis det kan rotere fritt uten kontakt med**

**arbeidsstykket.** Dette kan medføre personskader.

- d) Begynn alltid med å bore ved lav hastighet og med boret spiss i kontakt med arbeidsstykket.** Ved høyere hastigheter har boret større sjanse for å bøye seg hvis det kan rotere fritt uten kontakt med arbeidsstykket. Dette kan medføre personskader.
- e) Utøv trykk bare i en rett linje med boret og ikke anvend for mye trykk.** Borer kan bøye seg, dette resulterer i at boret brytter eller at man mister kontrollen. Dette kan medføre personskader.

#### GENERELL

- Støv fra materialer som maling som inneholder bly, enkelte tresorter, mineraler og metall kan være skadelig (kontakt med eller innånding av støvet kan forårsake allergiske reaksjoner og/eller luftveissykdommer hos operatøren eller tilskuere); **bruk støvmaske og arbeid med en støvavsugingsenhet når den kan kobles til**
- Visse typer støv er klassifisert som kreftfremkallende (som eik og bøkstøv), spesielt i forbindelse med tilsetningsstoffer for trebehandling; **bruk støvmaske og arbeid med en støvavsugingsenhet når den kan kobles til**
- Følg de støvrelaterte nasjonale kravene for materialene du ønsker å jobbe med
- Ikke bearbeid materialer som inneholder asbest** (asbest anses som kreftfremkallende)
- Sørg for at bryteren J(2) er i midtposisjonen (låst) før du foretar justeringer eller bytter tilbehør, samt når du bærer eller oppbevarer verktøyet

#### TILBEHØR

- SKIL kan kun garantere et feilfritt verktøy dersom originaltilbehør brukes
- Bruk kun tilbehør med et godkjent turtall som er minst like høyt som verktøyet høyeste tomgangsturtall

#### FØR BRUK

- Unngå skader som kan forårsakes av skruer, spiker og andre elementer i arbeidsstykket ditt; fjern dem før du begynner å jobbe
- Sikre arbeidsstykket** (et arbeidsstykke som er fastklemt med klemanordninger eller i en skrustikke holdes sikrere enn for hånd)
- Bruk egnede detektorer for å finne skjulte ledninger eller ring det lokale forsyningselskapet for å få hjelp** (kontakt med elektriske ledninger kan føre til brann eller elektrisk støt; skade på en gassledning kan resultere i en eksplosjon; penetrering av et vannrør vil forårsake skade på eiendom eller en elektrisk sjokk)

#### BATTERIER

- Batteriet som følger med, hvis det finnes, er delvis oppladet** (for å sikre full kapasitet til batteriet, lad batteriet helt i batteriladere for du bruker elektroverktøyet for første gang)
- Bruk kun følgende batterier og ladere med dette verktøyet**
  - SKIL-batteri: BR1\*31\*\*\*\*
  - SKIL-lader: CR1\*31\*\*\*\*
- Bruk ikke batteriet når de er skadet; de må byttes ut umiddelbart
- Ikke demonter batteriet
- Ikke utsett verktøyet/batteriet for regn
- Tillatt omgivelsestemperatur (verktøy/lader/batteri):
  - ved lading 4...40 °C
  - under drift -20 ...+50 °C
  - ved lagring -20 ...+50 °C

#### FORKLARING AV SYMBOLER PÅ VERKTØY/BATTERI

- ③ Les bruksanvisningen før bruk
- ④ Batterier kan eksplodere når de kastes i brann, så ikke brenn batteriet av en eller annen grunn
- ⑤ Oppbevar verktøy/lader/batteri på steder der temperaturen ikke overstiger 50 °C
- ⑥ Ikke kast elektriske verktøy og batterier sammen med husholdningsavfall

## BRUK

- Kombinert bryter for av/på og hastighetskontroll A ②
  - reguler den trinnløse hastighet fra 0 til maksimum ved å trykke mer eller mindre på bryteren
- Batteriladning
  - ! les sikkerhetsadvarslene og instruksene levert med laderen**
- Fjerne/installere batteriet ②
- Batterinivåindikator ⑦
  - trykk på batterinivåindikatorknappen M for å vise gjeldende batterinivå ⑦a
  - ! når det laveste nivået på batteriindikatoren begynner å blinke etter å ha trykket på knappen M ⑦b, er batteriet tomt**
  - ! når 2 nivåer av batteriindikatoren begynner å blinke etter å ha trykket på knappen M ⑦c, er batteriet ikke innenfor det tillatte driftstemperaturområdet**
- Endring av rotasjonsretning ⑧
  - når den ikke er riktig satt i venstre/høyre posisjon, kan ikke bryter A ② aktiveres
  - ! endre rotasjonsretning kun når verktøyet står helt stille**
- Endre biter ⑨
  - ! ikke bruk bits med skadet skaft**
- Dreiemomentkontroll (VariTorque) ⑩
  - utgangsmomentet vil øke når clutchring B roteres fra 1 til 17
  - når du skru inn en skrue, prøv først VariTorque posisjon 1 og øk til ønsket dybde er nådd
  - posisjon D vil låse clutchen for å tillate (ikke-støt) boring eller kjøring av tungt arbeid
  - posisjon C vil låse clutchen for kun å tillate slagboring
  - ! sørg for at girvelger G er i posisjon 2 når funksjonsvelger F er i slagboreposisjon**
  - ! ikke bruk slagboreposisjon C for å bore i tre, metall, keramikk og plast for å forhindre at boret/skruen blir skadet**
- Valg av mekanisk gir ⑪
  - stilt velgeren G til ønsket hastighet
  - ! aktiver girvelgeren mens verktøyet går sakte**
- 1
  - lavt turtall
  - høyt dreiemoment
  - for skrutrekking og boring av stor diameter
  - for gjenging
- 2
  - høyt turtall
  - lavere dreiemoment
  - for slagboring
  - for boring av liten diameter
- ARBEIDSLYS K ⑫
  - ARBEIDSLYS K vil lyse når verktøyet er slått på.
  - ! når WORKLIGHT begynner å blinke, er batteribeskyttelsen aktivert (se nedenfor)**

- Batteribeskyttelse  
Verktøyet blir plutselig slått av eller forhindret fra å slå på, når
  - **lasten er for høy** --> fjern lasten og start på nytt
  - **batteritemperaturen er ikke innenfor det tillatte driftstemperaturområdet på -20 til +50°C** --> 2 nivåer av batterinivåindikatoren begynner å blinke når du trykker på knappen M(7)c; vent til batteriet er tilbake innenfor det tillatte driftstemperaturområdet
  - **batteriet er nesten tomt (for å beskytte mot dyp utlading)** --> lavt batterinivå eller blinkende lavt batterinivå (7)b vises av batterinivåindikatoren når du trykker på knappen M; lade batteriet
- ! **ikke fortsett å trykke på av/på-bryteren etter at verktøyet er slått av automatisk; batteriet kan være skadet**
- Holde og lede verktøyet (13)  
! **mens du arbeider, hold alltid verktøyet ved det/de gråfargede grepsområdet(e)**
  - hold ventilasjonsåpningene H (2) avdekket
  - ikke legg for mye press på verktøyet; la verktøyet gjøre jobben for deg

## SØKNADSRÅD

- Bruk de riktige bitene (14)  
! **bruk kun skarpe biter**
- Ved boring i jernholdige metaller
  - bor først et lite hull, når et stort hull er krevet
  - smør boret av og til med olje
- Ved skru inn en skrue ved/nær den tverrskårne enden eller en trekant, forbor et hull for å unngå sprekkdannelser i treet
- For optimal bruk av verktøyet kreves et jevnt trykk på skruen, spesielt under fjerning
- Ved skruing i hardt tre bør man forbore et hull
- Splintfri boring i tre (15)
- Støvfri boring i vegger (16)
- Støvfri boring i tak (17)
- Boring i fliser uten å skli (18)
- For mer informasjon se [www.skil.com](http://www.skil.com)

## VEDLIKEHOLD / SERVICE

- Dette verktøyet er ikke beregnet for profesjonell bruk
- Hold alltid verktøyet rent (spesielt ventilasjonsåpninger H (2))  
! **fjern batteriet fra verktøyet før rengjøring**
- Hvis verktøyet skulle svikte til tross for forsiktighet i produksjons- og testprosedyrene, bør reparasjonen utføres av et ettersalgsservicesenter for SKIL elektroverktøy
  - Send verktøyet demontert sammen med kjøpsbevis til din forhandler eller nærmeste SKIL -servicestasjon (adresser samt servicediagram for verktøyet er oppført på [www.skil.com](http://www.skil.com))
- Vær klar over at skade som skyldes overbelastning eller feilbehandling av verktøyet ikke dekkes av garantien (for SKIL garantibetingelser se [www.skil.com](http://www.skil.com) eller spør din forhandler)

## MILJØ

- **Ikke kast elektrisk verktøy, batterier, tilbehør og emballasje sammen med husholdningsavfall** (bare

for EU -land)

- i henhold til EU-direktiv 2012/19/EF om kasserte elektriske og elektroniske produkter og direktivets iverksetting i nasjonal rett, må elektroverktøy som ikke lenger skal brukes, samles separat og returneres til et miljøvennlig gjenvinningsanlegg
- symbolet (6) vil minne deg på dette når behovet for avhending oppstår
- ! **Beskytt batteripolene med kassett før kassering for å unngå kortslutning**

## STØY / VIBRASJON

- Målt i samsvar med EN 62841 er lydtryknivået til dette verktøyet 90 dB(A) og lydeffektnivået 98 dB(A) (usikkerhet K = 5 dB), og vibrasjonen \* (triaksvektorsum; usikkerhet K = 1,5 m/s<sup>2</sup>)
  - \* ved boring i metall 12,41 m/s<sup>2</sup>
  - \* ved slagboring i betong 14,49 m/s<sup>2</sup>
- Vibrasjonsnivået er målt i samsvar med en standardisert test som er angitt i EN 62841; den kan brukes til å sammenligne et verktøy med et annet, og som et foreløpig overslag over eksponering for vibrasjoner ved bruk av verktøyet til de oppgavene som er nevnt
  - bruk av verktøyet til forskjellige bruksområder, eller med annet eller dårlig vedlikeholdt tilbehør, kan **øke** eksponeringsnivået betydelig
  - tidspunktene når verktøyet er slått av eller når det kjører, men ikke faktisk gjør jobben, kan **redusere** eksponeringsnivået betydelig
- ! **Beskytt deg selv mot vibrasjonseffekter ved å vedlikeholde verktøyet og dets tilbehør, holde hendene varme og organisere arbeidsmønstrene dine**

(FIN)

## Harjaton iskuporakone

3021

## ESITTELY

- Tämä työkalu on tarkoitettu ruuvien kiristämiseen ja löysäämiseen sekä puun, keramiikan ja muovin poraamiseen sekä tiilien iskuporauskeeseen.
- Tätä työkalua ei ole tarkoitettu ammattikäyttöön.
- Lue ja säilytä tämä ohjekirja. (3)

## TEKNISET TIEDOT (1)

Maks. vääntömomentti kovalle ruuvauskäytölle ISO 5393:n mukaan: 55 Nm

## TYÖKALUN OSAT (2)

- A On/off- ja nopeudensäätökytkin
- B Momentinsäätö
- C Iskuporausasento
- D Porausasento
- E Ruuvinvääntöasento
- F Kytкин toiminnon vaihtamiseksi
- G Vaihteenvälitsin
- H Ilmanvaihto-aukot
- J Kytкин pyörintäs suunnan vaihtamiseksi
- K TYÖVALO

- L Istukka
- M Akun varaustason ilmaispainike
- N Kaksoispääterä

## TURVALLISUUS

### YLEISET SÄHKÖTYÖKALUJEN TURVALLISUUSVAROITUKSET

**VAROITUS** Lue kaikki tämän sähkötyökalun mukana tulleet turvallisuusvaroitukset, ohjeet, piirustukset ja tekniset tiedot. Jos kaikkia alla olevia ohjeita ei noudateta, seurauksena saattaa olla sähköisku, tulipalo ja/tai vakava loukkaantuminen.

**Säilytä kaikki varoitukset ja ohjeet myöhempää käyttöä varten.**

Varoituksissa käytetty termi ”sähkötyökalu” tarkoittaa joko verkkovirtakäyttöistä (johdollista) sähkötyökalua tai akkukäyttöistä (johdotonta) sähkötyökalua.

#### 1) TYÖALUEEN TURVALLISUUS

- a) **Pidä työskentelyalue siistinä ja hyvin valaistuna.** Sotkuiset tai hämärät alueet aiheuttavat onnettomuuksia.
- b) **Älä käytä sähkötyökaluja räjähdysherkässä ympäristössä, kuten syttyvien nesteiden, kaasujen tai pölyn läheisyydessä.** Sähkötyökalut saattavat aiheuttaa kipinöitä, jotka voivat sytyttää tomun tai höyryjä.
- c) **Älä päästä lapsia tai sivullisia lähelle, kun käytät sähkötyökaluja.** Häiriötekijät voivat aiheuttaa hallinnan menettämisen.

#### 2) SÄHKÖTURVALLISUUS

- a) **Sähkötyökalun pistotulpan on vastattava pistorasiaa.** Älä ikinä muokkaa pistotulppaa millään tavalla. Älä käytä minkäänlaisia sovintipistotulppia maadoitettujen sähkötyökalujen kanssa. Muokkaamattomat pistotulpat ja niihin sopivat pistorasiat vähentävät sähköiskun vaaraa.
- b) **Vältä koskemasta vartalollasi maadoitettuihin pintoihin, kuten putkiin, lämmityspattereihin, liesiin ja jääkaappeihin.** Sähköiskun riski kasvaa, jos kehosi on maadoitettu.
- c) **Älä altista sähkötyökaluja sateelle tai kosteudelle.** Sähkötyökaluun pääsevä vesi lisää sähköiskun vaaraa.
- d) **Älä väärinkäytä johtoa.** Älä koskaan kannata tai vedä laitetta johdosta tai irrota pistoketta pistorasiasta johdosta vetämällä. Pidä johto poissa tulen, öljyn, terävien reunojen tai liikkuvien osien läheltä. Vahingoittuneet tai sotkeutuneet johdot lisäävät sähköiskun vaaraa.
- e) **Kun käytät sähkötyökalua ulkona, käytä ulkokäyttöön tarkoitettua jatkojohtoa.** Ulkokäyttöön tarkoitettujen jatkojohdon käyttö vähentää sähköiskun riskiä.
- f) **Jos et voi välttää sähkötyökalun käyttöä kosteissa olosuhteissa, käytä vikavirtasuojakytkimellä (vvsk) suojattua virtälähdettä.** Vikavirtasuojakytkimen käyttö vähentää sähköiskun vaaraa.

#### 3) HENKILÖKOHTAINEN TURVALLISUUS

- a) **Ole valpas, tarkkaavainen ja käytä maalaisjärkeä, kun käytät sähkötyökalua.** Älä käytä sähkötyökalua, jos olet väsynyt tai huumeiden, alkoholin tai lääkkeiden

vaikutuksen alaisena. Hetkellinenkin huomion herpaantuminen sähkötyökalua käytettäessä saattaa aiheuttaa vakavan henkilökohtaisen vamman.

- b) **Käytä henkilönsuojaimia. Käytä aina silmäsuojaimia.** Suojavarusteiden, kuten hengityssuojaimen, luistamattomien turvakengien, suojakypärän tai kuulosuojaimien, käyttö tarvittaessa vähentää loukkaantumisvaaraa.
- c) **Estä vahingossa käynnistyminen.** Varmista, että kytkin on off-asennossa, ennen kuin liität virtalähteen ja/tai akun, nostat laitteen tai kannat sitä. Työkalun kantaminen sormi virtakytkimellä tai virta kytkettynä olevan työkalun liittäminen pistorasiaan muodostaa onnettomuusvaaran.
- d) **Poista kaikki säätöön käytetyt avaimet tai kiintoavaimet ennen kuin käynnistät sähkötyökalun.** Sähkötyökalun pyöriivään osaan jätetty avain tai kiintoavain saattaa aiheuttaa henkilövamman.
- e) **Älä kurkottele.** Säilytä aina tukeva asento ja hyvä tasapaino. Näin hallitset sähkötyökalun parhaalla mahdollisella tavalla odottamattomissa tilanteissa.
- f) **Pukeudu asianmukaisesti. Älä käytä väljiä vaatteita tai koruja.** Pidä hiukset ja vaatteet etäällä liikkuvista osista. Väljät vaatteet, korut tai pitkät hiukset voivat tarttua kiinni liikkuviin osiin.
- g) **Jos laitteissa on liitännät pölynpoistolaitteille ja keräilylaitteille, varmista, että ne on liitetty ja niitä käytetään oikein.** Pölynpoistolaitteiden käyttö vähentää pölyyn liittyviä vaaroja.
- h) **Älä anna tuotteen tuutisuuden toistuvan käytön takia tehdä sinua liian itsevarmaksi, äläkä jätä työkalun turvallisuusohjeita noudattamatta.** Huolimaton toiminta voi aiheuttaa vakavan henkilövahingon sekunnin murto-osassa.
- 4) **SÄHKÖTYÖKALUJEN KÄYTTÖ JA KUNNOSSAPITO**
  - a) **Älä pakota sähkötyökalua.** Käytä omaan käyttötarkoitukseesi soveltuvaa sähkötyökalua. Oikea sähkötyökalu suoriutuu parhaiten ja turvallisimmin tehtävästä sille tarkoitettulla nopeudella.
  - b) **Älä käytä sähkötyökalua, jos sitä ei saa käynnistettyä ja suljettua kytkimellä.** Sähkötyökalun, jota ei voida hallita kytkimellä, käyttö on vaarallista ja laite on korjattava.
  - c) **Irrota pistotulppa virtalähteestä ja/tai irrota akku sähkötyökalusta, jos irrotettavissa, ennen kuin teet mitään säätöjä, vaihdat apuvälineitä tai laitat sähkötyökalun varastoon.** Nämä estävät turvallisuusstoimenpiteet vähentävät sähkötyökalun vahingossa käynnistämisen riskiä.
  - d) **Säilytä käyttämättömiä sähkötyökaluja lasten ulottumattomissa, äläkä anna henkilöiden, jotka eivät tunne sähkötyökalua tai näitä ohjeita, käyttää sähkötyökalun.** Sähkötyökalut ovat vaarallisia kokemattomien käyttäjien käsissä.
  - e) **Huolla sähkötyökalut ja lisävarusteet.** Tarkista, että liikkuvat osat ovat kunnolla paikallaan, että osat ovat ehjiä, ja että sähkötyökalussa ei ole muita ongelmia, jotka saattaisivat vaikuttaa sen toimintaan. Jos sähkötyökalu on vahingoittunut, korjauta se ennen käyttöä. Monet onnettomuudet johtuvat huonosti ylläpidetyistä sähkötyökaluista.
  - f) **Pidä leikkuutyökalut terävinä ja puhtaina.** Oikein huolletut leikkuutyökalut, joissa on terävät leikkureunat,

eivät todennäköisesti jumiudu, ja niitä on helpompi hallita.

- g) **Käytä sähkötyökaluja, lisävarusteita ja teriä ym. näiden ohjeiden mukaisesti ja niin, että otat huomioon käyttöolosuhteet ja tehtävän työn.** Sähkötyökalujen käyttö muihin kuin niille suunniteltuihin tarkoituksiin saattaa aiheuttaa vaaratilanteen.
- h) **Pidä kahvat ja tartuntapinnat kuivina, puhtaina, öljyttöminä ja rasvattomina.** Liukkaat kahvat ja tartuntapinnat eivät mahdollista työkalun turvallista käsittelyä ja hallintaa odottamattomissa tilanteissa.
- 5) **AKKUTYÖKALUN KÄYTTÖ JA KUNNOSSAPITO**
- a) **Lataa vain valmistajan määrittelemällä laturilla.** Laturi, joka sopii yhdentyyppiselle akulle voi aiheuttaa tulipalovaaran, jos sitä käytetään toisenlaisen akun kanssa.
- b) **Käytä sähkötyökaluissa vain erityisesti niihin tarkoitettuja akkuja.** Muunlaisten akkujen käyttö saattaa aiheuttaa henkilövahingon tai tulipalon vaaran.
- c) **Kun akku ei ole käytössä, pidä se poissa metalliesineiden, kuten paperiliitinten, kolikoiden, avainten, naulojen, ruuvien tai muiden pienten metalliesineiden, läheltä, jotta ne eivät voi liittää yhtä napaa toiseen.** Akun napojen oikosulku voi aiheuttaa palovammoja tai tulipalon.
- d) **Akusta voi valua nestettä väärästä käytöstä johtuen. Vältä kosketusta nesteeseen. Jos kosket nesteeeseen vahingossa, huuhtelee vedellä. Jos nestettä pääsee silmiin, hakeudu lääkärin hoitoon.** Akusta valuva neste voi aiheuttaa ärsytystä tai palovammoja.
- e) **Älä käytä akkua tai työkalua, joka on vaurioitunut tai jota on muutettu.** Vaurioituneet tai muutetut akut voivat käyttäytyä arvaamattomasti ja aiheuttaa tulipalon, räjähdysksen tai henkilövahingon vaaran.
- f) **Älä altista akkua tai työkalua tulelle tai äärimmäsille lämpötiloille.** Altistaminen yli 130 °C:n lämpötilalle voi aiheuttaa räjähdysksen.
- g) **Noudata kaikkia latausohjeita. Älä lataa akkua tai työkalua lämpötilassa, joka ole ohjeissa ilmoitetun lämpötila-alueen sisällä.** Virheellinen lataaminen tai lataaminen ilmoitetun lämpötila-alueen ulkopuolella olevassa lämpötilassa voi vaurioittaa akkua ja lisätä palovaaraa.
- 6) **HUOLTO**
- a) **Huollata sähkötyökalusi asiantuntevalla korjaajalla, joka käyttää vain identtisiä varoimia.** Näin taataan sähkötyökalun turvallisuuden säilyminen.
- b) **Älä koskaan huolla vaurioituneita akkuja.** Akkujen huollon saa tehdä vain valmistaja tai sen valtuuttamat huoltoliikkeet.

## AKKUVASARAPORAN TURVALLISUUSOHJEET

### 1) TURVALLISUUSOHJEET KAIKKIIN TOIMIIN

- a) **Käytä kuulonsuojaimia iskuporauksessa.** Melulle altistuminen voi aiheuttaa kuulonmenetyksen.
- b) **Pidä sähkötyökalua työskentelyn aikana vain eristetyistä tartuntapinnoista, koska leikkaava terä tai kiinnike voi osua piilossa oleviin johtoihin.** Leikkuuvälineen ja kiinnikkeen kosketus "jännitteeseen" johtoon saattaa tehdä sähkötyökalun metalliosat "jännitteisiksi" ja aiheuttaa sähköiskun käyttäjälle.
- 2) **TURVALLISUUSOHJEET PITKIEN PORANTERIEN**

## KÄYTÖN YHTEYDESSÄ

- a) **Älä koskaan käytä suurempaa nopeutta kuin poran terän sallittu nopeus.** Suuremmilla nopeuksilla terä todennäköisesti taipuu, jos sen annetaan pyöriä vapaasti ilman kosketusta työkappaleeseen, mikä voi johtaa henkilövahinkoihin.
- b) **Aloita poraaminen aina alhaisella nopeudella ja siten, että terän kärki on kosketuksissa työkappaleeseen.** Suuremmilla nopeuksilla terä todennäköisesti taipuu, jos sen annetaan pyöriä vapaasti ilman kosketusta työkappaleeseen, mikä voi johtaa henkilövahinkoihin.
- c) **Paina terää vain suorassa linjassa, äläkä käytä liiallista painetta.** Terät voivat taipua ja aiheuttaa rikkoutumisen tai hallinnan menettämisen, mikä voi johtaa henkilövahinkoihin.

## YLEISTÄ

- Sellaisista materiaaleista, kuten lyijypitoinen maali, jotkin puulajit, mineraalit ja metalli, tuleva pöly voi olla vahingollista (pölyn kanssa kosketuksiin joutuminen tai sen sisään hengittäminen voi aiheuttaa käyttäjälle tai sivullisille allergiareaktioita ja/tai hengityselinten sairauksia); **käytä hengityssuojainta ja työskentele pölynpoistolaitteen kanssa, kun sellainen on liitettävissä**
- Tietyntyyppiset pölyt on luokiteltu karsinogeenisiksi (kuten tammii- ja pyökkipöly) erityisesti puun käsittelyyn käytettävien lisäaineiden yhteydessä; **käytä hengityssuojainta ja työskentele pölynpoistolaitteen kanssa, kun sellainen on liitettävissä**
- Noudata maakohtaisia pölyyn liittyviä sääntöjä
- Älä koskaan työstä asbestipitoista ainetta** (asbestia pidetään karsinogeenisena)
- Varmista, että kytkin J② on keskellä (lukitus)asenossa, ennen kuin suoritat säätöjä, vaihdat tarvikkeita tai siirrä koneen varastoitavaksi

## VARUSTEET

- SKIL pystyy takaamaan työkalun moitteettoman toiminnan vain, kun käytetään alkuperäisiä tarvikkeita
- Käytä vain tarvikkeita, joiden sallittu kierrosluku on vähintään yhtä suuri kuin laitteen suurin tyhjäkäyntikierrosluku

## ENNEN KÄYTTÖÄ

- Vältä vaaralliset vahingot, jotka voivat aiheutua nauloista, ruuveista tai muista aineista työstettävässä materiaalissa; poista ne ennen työskentelyn aloittamista
- Kiinnitä työstettävä kappale** (kiinnittimeen tai puristimeen kiinnitetty työstettävä kappale pysyy tukevammin paikoillaan kuin käsin pidettävässä)
- Käytä sopivia etsintälaitteita piilossa olevien syöttöjohtojen paikallistamiseksi tai käänny paikallisen jakelu-yhtiön puoleen** (kosketus sähköjohtoon saattaa johtaa tulipaloon ja sähköiskuun; kaasuputken vahingoittaminen saattaa johtaa räjähdyskseen; vesiputken tunkeutuminen aiheuttaa aineellista vahinkoa tai saattaa johtaa sähköiskuun)

## AKUT

- Mukana toimitettu akku, jos sellainen on, toimitetaan osittain ladattuna** (varmista akun suoritusteho lataamalla akku aivan täyteen akkulaturilla ennen sähkötyökalun ensimmäistä käyttökertaa)
- Käytä työkalun kanssa vain seuraavia akkuja ja latureita**
  - SKIL-akku: BR1\*31\*\*\*\*
  - SKIL-laturi: CR1\*31\*\*\*\*

- Älä käytä vahingoittunutta akkua, vaan vaihda se välittömästi
- Älä pura akkua
- Suojaa työkalu/akku sateelta
- Sallittu ympäristön lämpötila (työkalu/laturi/akku):
- ladattaessa 4...40 °C
- käytön aikana -20...+50 °C
- varastoinnin aikana -20...+50 °C

#### TYÖKALUN/AKUN SYMBOLIEN SELITYKSET

- ③ Lue käyttöohjeet ennen käyttöä
- ④ Akut räjähtävät, jos ne hävitetään polttamalla, joten älä missään tapauksessa polta niitä
- ⑤ Säilytä työkalua/laturia/akkua paikoissa, joissa lämpötila ei ole yli 50 °C
- ⑥ Älä hävitä sähkötyökaluja ja akkuja tavallisen kotitalousjätteen mukana

## KÄYTTÖ

- Yhdistetty kytkin on/off ja nopeudensäätö A ②
  - valitse nopeus portaattomasti nolasta maksiminopeuteen painamalla kytkintä enemmän tai vähemmän
- Akun lataaminen
  - ! lue kaikki laturin mukana tulevat turvallisuusvaroitukset ja -ohjeet
- Akun irrottaminen/asentaminen ②
- Akun lataustilan ilmaisin ⑦
  - painamalla akun varaustason ilmaispainiketta M näet akun nykyisen varaustason ⑦a
  - ! kun akun ilmaisimen alin taso alkaa vilkkua painikkeen M ⑦b painamisen jälkeen, akku on tyhjä
  - ! kun akun ilmaisimen 2 tasoa alkaa vilkkua painikkeen M ⑦c painamisen jälkeen, akku ei ole sallitulla käyttölämpötila-alueella
- Pyörintäsuunnan vaihto ⑧
  - jos se ei ole oikein asetettu vasen/oikea asentoon, kytkintä A② ei voi käyttää
  - ! muuta pyörintäsuuntaa vain kun työkalu on täysin pysähtynyt
- Terien vaihto ⑨
- Älä käytä kärkiä, joiden varsi on vahingoittunut
- Vääntömomentin säätö (VariTorque) ⑩
  - lähtömomentti kasvaa, kun kytkinrengasta B kierretään 1:stä 17:ään
  - ruuvia kiinnittäessäsi koeta ensin VariTorque- säädintä asennolla 1, koeta sen jälkeen seuraavia asentoja, kunnes toivottu syvyys on saavutettu
  - asento D lukitsee kytkimen sallimaan (ei isku-) porauksen, jossa suurta momenttia vaativa ruuvinvääntö on mahdollista
  - asento C lukitsee kytkimen sallimaan ainoastaan iskuporauksen
  - ! varmista, että vaihteenvalitsin G on asennossa 2, kun toimintovalitsin F on iskuporausasennossa
  - ! älä käytä iskuporausasentoa C puun, metallin, keramiikan tai muovin poraamiseen, jottei pora/ruuviterä vahingoitu
- Mekaaninen vaihteen valinta ⑪
  - aseta valitsin G haluamaasi nopeuteen
  - ! käytä vaihteenvalitsinta, kun kone pyörii hitaasti 1
  - hidas nopeus

- suuri vääntömomentti
- ruuvinvääntöön ja isojen reikien poraukseen
- kierteytykseen

#### 2

- suuri nopeus
- alhaisempi vääntömomentti
- iskuporaukseen
- pienien reikien poraukseen
- TYÖVALO K ⑫
  - TYÖVALO K syttyy, kun työkalu kytketään päälle.
  - ! kun TYÖVALO alkaa vilkkua, akun suojaus on aktivoitunut (katso alta)
- Akun suojaus
  - Työkalu sammuu automaattisesti tai sitä ei voi kytkeä päälle, jos
  - kuormitus on liian suuri -> vähennä kuormitusta ja käynnistä uudelleen
  - akun lämpötila ei ole sallitulla käyttölämpötila-alueella -20...+50 °C --> 2 akun varaustason valoa alkaa vilkkua, kun painat painiketta M⑦c; odota, kunnes akku on sallitulla käyttölämpötila-alueella uudelleen
  - akku on lähes tyhjä (suojaus syväpurkautumista vastaan) --> alhainen akun varaustaso tai vilkkuva akun alhainen taso ⑦b näkyy akun lataustason ilmaisimessa, kun painat painiketta M; lataa akku
  - ! älä jatka virtakytkimen painamista sen jälkeen, kun kone on kytketty pois päältä automaattisesti; akku voi vaurioitua
- Työkalun pitely ja ohjaaminen ⑬
  - ! pidä aina työskentelyn aikana kiinni työkalun harmaista tartunta-alueista
  - pidä tuuletusaukot H ② vapaina
  - älä paina työkalua liian voimakkaasti; vaan anna työkalun tehdä työ puolestasi

## VINKKEJÄ

- Käytä oikeantyyppisiä kärkiä ⑭
- ! käytä vain teräviä teriä
- Porattaessa rautametalleja
  - poraa ensin pienempi esireikä ja jatka sitten isommalla terällä
  - voitele poranterä ajoittain öljyllä
- Kun ruuvi väännetään lähelle puun reunaan, pitää porata esireikä ruuvia varten, jotta estetään puun halkeaminen
- Jotta laitteesta saataisiin mahdollisimman suuri hyöty, ruuvia on painettava tasaisesti, varsinkin ruuvia irrotettaessa
- Väännettäessä ruuveja kovaan puuhun tulisi ensin porata esireikä
- Repimätön poraus puuhun ⑮
- Pölytön poraus seiniin ⑯
- Pölytön poraus kattoihin ⑰
- Poraus laattoihin luiskahtamatta ⑱
- Lisätietoja on osoitteessa [www.skil.com](http://www.skil.com)

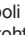
## HOITO / HUOLTO

- Tätä työkalua ei ole tarkoitettu ammattikäyttöön
- Pidä työkalu aina puhtaana (erityisesti tuuletusaukot H ②)
- ! irrota akku työkalusta ennen puhdistamista
- Jos työkalu ei huolellisesta valmistuksesta ja koestusmenettelystä huolimatta toimi asianmukaisella tavalla, tulee laitteen korjaus antaa

SKIL-huoltokeskuksen tehtäväksi

- toimita työkalu ostotositteen kanssa ja osiin purkamatta jälleenmyyjälle tai lähimpään SKIL-huoltokeskukseen (osoitteet ja työkalun huoltokaavio löytyvät web-sivustolta [www.skil.com](http://www.skil.com))
- Ota huomioon, että takuu ei kata työkalun ylikuormituksesta tai väärästä käsittelystä johtuvia vahinkoja (katso SKIL-takuuehdot osoitteesta [www.skil.com](http://www.skil.com) tai kysy jälleenmyyjältä)

## YMPÄRISTÖNSUOJELU

- Älä hävitä sähkötyökalua, akkuja, paristoja, tarvikkeita tai pakkausta tavallisen kotitalousjätteen mukana (koskee vain EU-maita)
  - vanhoja sähkö- ja elektroniikkalaitteita koskevan EU-direktiivin 2012/19/EY ja sen maakohtaisten sovellusten mukaisesti käytetyt sähkötyökalut on toimitettava ongelmajätteen keräyspisteeseen ja ohjattava ympäristöystävälliseen kierrätykseen
  - symboli  muistuttaa tästä, kun käytöstä poisto tulee ajankohtaiseksi
- ! poistaessasi akun käytöstä peitä plus- ja miinusnapa sähköteipillä oikosulun estämiseksi**

## MELU/TÄRINÄ


- Mitattuna standardin EN 62841 mukaan tämän työkalun äänenpaineen taso on 90 dB (A) ja äänitehotaso 98 dB (A) (epävarmuus K = 5 dB) ja värinä **\*** (kolmeakselisen vektorin summa; epävarmuus K = 1,5 m/s<sup>2</sup>)  
**\*** Metalliin porattaessa 12,41 m/s<sup>2</sup>  
**\*** Betoniin porattaessa 14,49 m/s<sup>2</sup>
  - Tärinäsäteilytaso on mitattu standardin EN 62841 mukaisen standarditestin mukaisesti; sitä voidaan käyttää verrattaessa yhtä laitetta toiseen sekä alustavana tärinälle altistumisen arviona käytettäessä työkalua manituissa käyttötarkoituksiinsa
    - työkalun käyttö eri käyttötarkoituksiin tai erilaisten tai huonosti huollettujen lisävarusteiden kanssa voi **nostaa** merkittävästi altistumistasoa
    - työkalun ollessa sammuksissa tai kun se on käynnissä, mutta sillä ei tehdä työtä, altistumistaso voi **alentua** merkittävästi
- ! suojaudu tärinän vaikutuksilta huoltamalla työkalu ja sen lisävarusteet, pitämällä kädet lämpiminä ja organisoimalla työmenetelmät**

E

## Taladro de impacto sin escobillas

3021

## INTRODUCCIÓN

- Esta herramienta está destinada a apretar y aflojar tornillos, así como para perforar en madera, cerámica y plástico y para taladrar en ladrillo por impacto.
- Esta herramienta no está concebida para uso profesional.
- Lea y conserve este manual de instrucciones. 

## DATOS TÉCNICOS


Par de giro máx. en unión atornillada rígida según ISO 5393: 55 Nm

## ELEMENTOS DE LA HERRAMIENTA

- A** Interruptor para encendido/apagado y control de velocidad
- B** Anillo para regulación del par de apriete
- C** Posición de taladrado con percusión
- D** Posición de taladrado
- E** Posición de atornillado
- F** Interruptor para el cambio de función
- G** Selector de velocidad
- H** Ranuras de ventilación
- J** Interruptor para invertir la dirección de giro
- K** LUZ DE TRABAJO
- L** Portabrocas
- M** Botón del indicador del nivel de batería
- N** Punta de doble extremo

## SEGURIDAD

### MEDIDAS DE SEGURIDAD GENERALES PARA HERRAMIENTAS ELÉCTRICAS

 **ADVERTENCIA** Lea todas las advertencias de seguridad, instrucciones, ilustraciones y especificaciones incluidas con esta herramienta eléctrica. Si no se cumplen todas las instrucciones que se enumeran a continuación, pueden producirse descargas eléctricas, incendios o lesiones graves.

**Conserve todas las instrucciones y advertencias para poder consultarlas en el futuro.**

El término «herramientas eléctricas» que aparece en las advertencias se refiere tanto a las herramientas que funcionan conectadas a la red eléctrica (con cable) como a las que funcionan con batería (inalámbricas).

### 1) SEGURIDAD EN LA ZONA DE TRABAJO

- a) Mantenga la zona de trabajo limpia y bien iluminada. **Las áreas de trabajo desordenadas y oscuras favorecen los accidentes.**
- b) No ponga en funcionamiento las herramientas eléctricas en entornos explosivos como, por ejemplo, donde haya líquidos inflamables, gases o polvo. Las herramientas eléctricas generan chispas que podrían actuar como detonante de vapores y partículas de polvo inflamables.
- c) Mantenga a los niños y las demás personas alejados cuando esté utilizando una herramienta eléctrica. Las distracciones podrían hacerle perder el control de la herramienta.

### 2) SEGURIDAD ELÉCTRICA

- a) El enchufe de la herramienta eléctrica debe corresponder con la toma de corriente. **No modifique nunca el enchufe de ningún modo. Nunca utilice enchufes adaptadores o ladrones de corriente con herramientas eléctricas equipadas con conexión a tierra.** Si no se modifican los enchufes y estos corresponden con las tomas de corriente, se reducirán enormemente los riesgos de electrocución.
- b) Evite cualquier contacto corporal con superficies

conectadas a tierra, como tuberías, radiadores, hornillos eléctricos y frigoríficos. Existe un mayor riesgo de descarga eléctrica si su cuerpo tiene conexión a tierra.

- c) **No exponga las herramientas eléctricas a la lluvia o a la humedad.** Si penetra agua en una herramienta eléctrica, aumentará el riesgo de descarga eléctrica.
  - d) **No maltrate el cable. Nunca utilice el cable para transportar, arrastrar o desenchufar la herramienta eléctrica.** Mantenga el cable alejado del calor, el aceite, los bordes afilados o las piezas móviles. Los cables dañados o enredados aumentan el riesgo de descarga eléctrica.
  - e) **Cuando use una herramienta eléctrica al aire libre, utilice un cable alargador adecuado para uso en exteriores.** Si se usa un cable adecuado para exteriores, se reducirá el riesgo de descarga eléctrica.
  - f) **Utilice un interruptor diferencial (RCD) si debe utilizar la herramienta eléctrica en un lugar húmedo.** La utilización de un interruptor de protección diferencial reducirá el riesgo de electrocución.
- 3) SEGURIDAD PERSONAL**
- a) **Manténgase alerta, preste atención a lo que está haciendo y aplique el sentido común durante el uso de una herramienta eléctrica.** No use una herramienta eléctrica cuando esté cansado o bajo la influencia de drogas, alcohol o medicación. Cuando se están usando herramientas eléctricas, cualquier falta de atención, aunque sea por un instante, puede provocar lesiones graves.
  - b) **Utilice equipo de protección personal. Utilice siempre protección ocular.** El equipo de protección, como máscaras antipolvo, calzado de seguridad antideslizante, casco protector o protección auditiva, cuando se utiliza adecuadamente, reduce las lesiones personales.
  - c) **Evite la puesta en marcha accidental de la herramienta. Asegúrese de que el interruptor de encendido se encuentra en la posición de apagado antes de enchufar la herramienta a la red eléctrica y/o de acoplar la batería, así como al agarrar o transportar la herramienta.** Transportar herramientas eléctricas con el dedo en el interruptor o con el interruptor en la posición de encendido aumenta el riesgo de accidente.
  - d) **Retire cualquier llave de ajuste o llave inglesa de la herramienta antes de encenderla.** Una llave inglesa o una llave de ajuste enganchada a una parte giratoria de la herramienta puede producir lesiones.
  - e) **No se estire demasiado para alcanzar lugares de difícil acceso. Mantenga una posición firme y equilibrada en todo momento.** De este modo podrá controlar mejor la herramienta eléctrica en situaciones inesperadas.
  - f) **Utilice ropa adecuada. No lleve ropa holgada ni joyas. Mantenga el pelo, la ropa y los guantes alejados de las piezas móviles.** La ropa holgada, así como las joyas o el pelo largo podrían engancharse en las partes móviles.
  - g) **Si se incluyen dispositivos de conexión a extractores y colectores de polvo, asegúrese de conectarlos y utilizarlos adecuadamente.** El uso de un colector de polvo puede reducir los riesgos asociados

con el polvo.

- h) **El hecho de haberse familiarizado con la herramienta por el uso frecuente no debe hacer que se descuide e ignore los principios de seguridad.** Una distracción puede provocar lesiones graves en una fracción de segundo.
- 4) UTILIZACIÓN Y CUIDADO DE LAS HERRAMIENTAS ELÉCTRICAS**
- a) **No fuerce la herramienta eléctrica. Utilice la herramienta eléctrica adecuada para la tarea que vaya a realizar.** La herramienta correcta funcionará mejor y con más seguridad a la velocidad para la que ha sido diseñada.
  - b) **No use la herramienta si el interruptor no funciona para encenderla y apagarla.** Toda herramienta que no se puede controlar con el interruptor es peligrosa y debe repararse.
  - c) **Desconecte el enchufe de la toma de corriente o retire la batería de la herramienta antes de realizar algún ajuste, cambiar de accesorios o guardarla.** Estas medidas de seguridad reducen el riesgo de que la herramienta se ponga en marcha por accidente.
  - d) **Guarde las herramientas eléctricas apagadas fuera del alcance de niños y no deje que las usen personas que no estén familiarizadas con estas instrucciones o con las herramientas.** Las herramientas eléctricas son peligrosas si las usan personas sin experiencia.
  - e) **Cuide las herramientas eléctricas y sus accesorios. Compruebe si hay elementos móviles desalineados o trabados, piezas rotas u otra circunstancia que pueda afectar al funcionamiento de la herramienta. Si la herramienta eléctrica está dañada, llévela a reparar antes de usarla.** Muchos accidentes se deben a un mantenimiento deficiente de las herramientas eléctricas.
  - f) **Mantenga las herramientas de corte afiladas y limpias.** Las herramientas de corte bien afiladas tienen menos probabilidades de atascarse y son más fáciles de controlar.
  - g) **Use la herramienta eléctrica, los accesorios, las brocas, etc., siguiendo las instrucciones y teniendo en cuenta las condiciones de trabajo y la tarea a realizar.** El uso de las herramientas eléctricas para fines diferentes a los previstos podría provocar situaciones de peligro.
  - h) **Mantenga las asas y las superficies de agarre secas, limpias y libres de aceite y grasa.** Si las asas y las superficies de agarre están resbaladizas no se puede manejar la herramienta de forma segura ni mantener el control en las situaciones inesperadas.
- 5) UTILIZACIÓN Y MANTENIMIENTO DE HERRAMIENTAS A BATERÍA**
- a) **Recargue únicamente con el cargador especificado por el fabricante.** Un cargador que es adecuado para un tipo de batería podría ocasionar un incendio si se utiliza con una batería distinta.
  - b) **Utilice herramientas eléctricas solamente con las baterías diseñadas específicamente para ellas.** El uso de cualquier otro tipo de batería puede provocar riesgo de lesiones e incendio.
  - c) **Cuando no se esté utilizando la batería, manténgala apartada de objetos metálicos como clips para**



papeles, monedas, llaves, clavos, tornillos, o cualquier otro objeto metálico pequeño que pudiera provocar un cortocircuito en sus terminales de corriente. Si se provoca el cortocircuito en los terminales de la batería, podrían producirse quemaduras o incendios.

- d) **En condiciones de uso intensivo, es posible que se produzca una fuga de ácido de la batería. Evite el contacto con el ácido. Enjuague con agua si se produce un contacto accidental. Si el líquido entra en contacto con los ojos, solicite también atención médica.** El líquido que emana de la batería puede provocar irritaciones o quemaduras.
- e) **No utilice una batería o una herramienta que haya sido modificada o que esté dañada.** Las baterías dañadas o modificadas pueden tener un comportamiento impredecible y provocar un incendio, explosión o riesgo de lesiones.
- f) **No exponga la batería ni la herramienta al fuego ni a una temperatura excesiva.** La exposición al fuego o a una temperatura superior a 130°C podría provocar una explosión.
- g) **Siga todas las instrucciones de carga y no cargue la batería ni la herramienta fuera del rango de temperatura especificado en las instrucciones.** Una carga incorrecta o a temperaturas fuera del rango especificado puede dañar la batería y aumentar el riesgo de incendio.
- 6) **SERVICIO TÉCNICO**
- a) **Las reparaciones de las herramientas eléctricas debe realizarlas un técnico cualificado, utilizando solo piezas de recambio idénticas.** De este modo, podrá garantizarse la seguridad de uso de la herramienta eléctrica.
- b) **No repare nunca baterías que estén dañadas.** Las baterías solo debe repararlas el fabricante o un centro de servicio técnico autorizado.

## INSTRUCCIONES DE SEGURIDAD PARA TALADROS DE PERCUSIÓN INALÁMBRICOS

### 1) INSTRUCCIONES DE SEGURIDAD PARA TODAS LAS OPERACIONES

- a) **Utilice protecciones auditivas cuando taladre con percusión.** La exposición al ruido puede provocar pérdida auditiva.
- b) **Sujete la herramienta eléctrica por las superficies de agarre aisladas en aquellos trabajos donde el accesorio de corte o la pieza de sujeción pueda entrar en contacto con cables ocultos.** El contacto del accesorio de corte y las fijaciones con conductores bajo tensión puede hacer que las partes metálicas de la herramienta eléctrica pasen a estar en tensión y provoquen una descarga eléctrica.

### 2) INSTRUCCIONES DE SEGURIDAD AL UTILIZAR BROCAS DE TALADRO LARGAS

- a) **Nunca trabaje a una velocidad superior a la velocidad máxima nominal de la broca.** A velocidades más altas, es probable que la broca se tuerza si se deja girar con libertad sin hacer contacto con la pieza de trabajo, pudiendo causar alguna lesión.
- b) **Comience siempre taladrando a una velocidad baja y con la punta de la broca en contacto con la pieza**

**de trabajo.** A velocidades más altas, es probable que la broca se tuerza si se deja girar con libertad sin hacer contacto con la pieza de trabajo, pudiendo causar alguna lesión.

- c) **Ejerza presión solo en línea directa con la broca y nunca aplique una presión excesiva.** Las brocas pueden torcerse y ocasionar lesiones debido a una rotura o una pérdida de control.

### GENERAL

- El polvo de materiales como pintura que contenga plomo, algunas especies de madera, minerales y metal podrían ser dañinos (el contacto o inhalación del polvo podría producir reacciones alérgicas y trastornos respiratorios al usuario o a otras personas que se encuentren en la zona); **utilice una máscara contra el polvo y trabaje con un dispositivo de extracción de polvo cuando se pueda conectar**
- Ciertos tipos de polvo están catalogados como cancerígenos (por ejemplo, el polvo de roble y de haya) especialmente junto con aditivos para el acondicionamiento de la madera; **utilice una máscara contra el polvo y trabaje con un dispositivo de extracción de polvo cuando se pueda conectar**
- Siga la normativa nacional en cuanto a extracción de polvo, en función de los materiales que vayan a ser utilizados
- No trabaje materiales que contengan amianto** (el amianto se considera cancerígeno)
- Asegúrese de que el interruptor J② está en la posición central (posición de bloqueo) antes de realizar ajustes en la herramienta o un cambio de accesorios, así como para transportar o guardar la herramienta

### ACCESORIOS

- SKIL únicamente puede garantizar un funcionamiento correcto de la herramienta al emplear accesorios originales
- Utilice únicamente accesorios cuyo límite de revoluciones permitido sea como mínimo igual a las revoluciones en vacío máximas de la herramienta

### ANTES DEL USO

- Evite los daños que puedan causar los tornillos, clavos y otros objetos sobre la pieza de trabajo; retirelos antes de empezar a trabajar
- Asegure la pieza de trabajo** (una pieza de trabajo fijada con unos dispositivos de sujeción o en un tornillo de banco, se mantiene sujeta de forma mucho más segura que con la mano)
- Utilice aparatos de detección adecuados para localizar posibles conductores o tuberías ocultas, o consulte a su compañía abastecedora** (el contacto con conductores eléctricos puede provocar una descarga eléctrica e incluso un incendio; al dañar una tubería de gas puede producirse una explosión; la perforación de una tubería de agua puede causar daños materiales o una descarga eléctrica)

### PILAS

- Si se entrega una batería, está parcialmente cargada** (para poder aprovechar toda la capacidad de la batería, cárguela por completo en el cargador antes de utilizar la herramienta eléctrica por primera vez).
- Utilice únicamente los siguientes cargadores y baterías con esta herramienta**
  - Batería SKIL: BR1\*31\*\*\*\*
  - Cargador SKIL: CR1\*31\*\*\*\*
- Nunca utilice la batería estropeada; debe de ser

cambiada inmediatamente

- No desarme la batería
- No exponga la herramienta/batería a la lluvia
- Temperatura ambiente permitida (herramienta/cargador/batería):
- durante la carga 4...40 °C
- durante el funcionamiento -20...+50 °C
- durante el almacenamiento -20...+50 °C

#### EXPLICACIÓN DE SÍMBOLOS DE HERRAMIENTA/ BATERÍA

- ③ Lea el manual de instrucciones antes de utilizarla
- ④ Las baterías estallarán si se tiran al fuego, por ningún motivo caliente las baterías.
- ⑤ Guarde la herramienta/cargador/batería en un lugar donde la temperatura no exceda los 50 °C
- ⑥ No deseche las herramientas eléctricas y las pilas junto con los residuos domésticos

## USO

- Interruptor combinado de encendido/apagado y control de velocidad A ②
  - controle la velocidad acelerando de 0 hasta la máxima, apretando el gatillo acelerador
- Recarga de la batería
  - ! **Lea las instrucciones y la advertencias de seguridad incluidas con el cargador.**
- Desmontaje/instalación de la batería ②
- Indicador del nivel de carga de la batería ⑦
  - Pulse el botón indicador del nivel de carga de la batería M para ver el nivel actual de carga ⑦a
  - ! **Cuando empiece a parpadear el nivel inferior del indicador de la batería después de pulsar el botón M ⑦b, significa que la batería está descargada.**
  - ! **Cuando empiecen a parpadear 2 niveles del indicador de la batería después de pulsar el botón M ⑦c, significa que la batería no está dentro del rango de temperatura de funcionamiento permitido.**
- Inversión de la dirección de giro ⑧
  - Si el inversor de giro no está adecuadamente colocado en la posición izquierda/derecha, el interruptor A ② no podrá ser activado
  - ! **invierta la dirección de giro sólo cuando la herramienta esté completamente parada**
- Cambiar las puntas ⑨
  - ! **no utilice puntas que tengan el vástago deteriorado**
- Control del par de apriete (VariTorque) ⑩
  - El par de salida aumentará a medida que el anillo del portabrocas B se gire de 1 a 17
  - al apretar un tornillo, empiece a utilizar VariTorque en la posición 1 y vaya aumentando hasta alcanzar la profundidad deseada
  - En la posición D, el portabrocas está bloqueado para permitir tareas duras de taladrado o atornillado
  - En la posición C, el portabrocas está bloqueado y permite solo taladrar con percusión
  - ! **Compruebe que el selector de velocidad G está en la posición 2 cuando el anillo del portabrocas F está en la posición de taladrado con percusión**
  - ! **No utilice la posición de taladrado con percusión C para taladrar madera, metal, cerámica o plástico, para evitar que se dañe la broca o la**

## punta

- Selector de velocidad mecánico ⑪
  - Ajuste el selector G a la velocidad que desee
  - ! **Accione el selector de velocidad mientras la herramienta marcha lentamente**

1

- velocidad baja
- par de apriete elevado
- para atornillar y taladrar grandes diámetros
- para rosca de tornillo

2

- velocidad alta
- par de apriete inferior
- para taladrar con percusión
- para taladrar pequeños diámetros
- LUZ DE TRABAJO K ⑫
  - La LUZ DE TRABAJO K se iluminará cuando se encienda la herramienta.
  - ! **Cuando la LUZ DE TRABAJO empieza a parpadear, se activa la protección de la batería (véase a continuación)**
- Protección de la batería
  - La herramienta se apaga inmediatamente, o se impide su encendido, cuando
  - **la carga es demasiado alta** -> retire la carga y vuelva a ponerla en marcha
  - **la temperatura de la batería no se encuentra dentro del rango admisible de temperaturas de funcionamiento entre -20 °C y +50 °C** --> los 2 niveles del indicador de la batería empiezan a parpadear cuando se pulsa el botón M ⑦c; espere hasta que la batería vuelva a estar dentro del rango admisible de temperaturas de funcionamiento
  - **la batería está casi descargada (como protección contra una descarga intensa)** --> el indicador del nivel de la batería señala un nivel bajo de carga o un nivel bajo de carga intermitente ⑦b cuando se pulsa el botón M; cargue la batería
  - ! **No siga pulsando el interruptor de encendido/apagado después de que se apague automáticamente la herramienta; se puede dañar la batería.**
- Sujeción y manejo de la herramienta ⑬
  - ! **durante el trabajo, sujete siempre la herramienta por la(s) zona(s) de agarre de color gris**
  - mantenga las ranuras de ventilación H ② descubiertas
  - no ejerza demasiada presión en la herramienta; deje que la herramienta haga su trabajo

## CONSEJOS DE APLICACIÓN

- Utilice puntas adecuadas ⑭
  - ! **Utilice únicamente brocas afiladas**
- Al taladrar metales ferrosos
  - pretaladre antes un agujero pequeño
  - lubrique de cuando en cuando la broca con aceite
- Taladrar de antemano un agujero para poder atornillar en/cerca o al lado de la madera para prevenir la rotura de ésta
- Para un uso óptimo de su herramienta es necesaria una presión constante sobre el tornillo ante todo en la extracción del mismo
- Cuando atornille en madera dura realice un pequeño agujero previamente

- Perforación sin astillas en madera <sup>(15)</sup>
- Perforación sin polvo en paredes <sup>(16)</sup>
- Perforación sin polvo en techos <sup>(17)</sup>
- Taladrar baldosas sin resbalar <sup>(18)</sup>
- Si desea más información, visite [www.skil.com](http://www.skil.com)

## MANTENIMIENTO / SERVICIO

- Esta herramienta no está concebida para uso profesional
- Mantenga siempre limpia la herramienta (sobre todo las ranuras de ventilación H <sup>(2)</sup>)

**! Quite la batería de la herramienta antes de la limpieza.**

- Si a pesar de los esmerados procesos de fabricación y control, la herramienta llegase a averiarse, la reparación deberá encargarse a un servicio técnico autorizado para herramientas eléctricas SKIL
  - Envíe la herramienta sin desmontar junto con una prueba de su compra a su distribuidor o al centro de servicio técnico más cercano de SKIL (las direcciones y el diagrama de despiece de la herramienta están en [www.skil.com](http://www.skil.com)).
- Tenga en cuenta que los daños debido a sobrecarga o a un manejo inadecuado del producto estarán excluidos de la garantía (consulte las condiciones de garantía de SKIL en [www.skil.com](http://www.skil.com) o consulte a su distribuidor).

## MEDIO AMBIENTE

- **No deseché las herramientas eléctricas, las baterías, los accesorios y los embalajes junto con los residuos domésticos** (solo para países de la Unión Europea).
  - de conformidad con la Directiva Europea 2012/19/CE sobre residuos de aparatos eléctricos y electrónicos y su aplicación de acuerdo con la legislación nacional, las herramientas eléctricas cuya vida útil haya llegado a su fin se deberán recoger por separado y trasladar a una planta de reciclaje que cumpla con las exigencias ecológicas
  - El símbolo <sup>(6)</sup> llamará su atención cuando sea necesaria la eliminación.
- **! Antes de eliminarla, proteja los terminales de la batería con cinta aislante para evitar un cortocircuito.**

## RUIDOS / VIBRACIONES

- Realizando mediciones según EN 62841, el nivel de presión acústica de esta herramienta es 90 dB(A) y el nivel de potencia acústica es de 98 dB(A) (incertidumbre K = 5 dB), y la vibración es \* (suma vectorial triaxial; incertidumbre K = 1,5 m/s<sup>2</sup>).
  - \* al taladrar en metal 12,41 m/s<sup>2</sup>
  - \* al taladrar con percusión en hormigón 14,49 m/s<sup>2</sup>
- El nivel de emisión de vibraciones ha sido medido según una prueba estándar proporcionada en la norma EN 62841; puede utilizarse para comparar una herramienta con otra y como valoración preliminar de la exposición a las vibraciones al utilizar la herramienta con las aplicaciones mencionadas
  - al utilizarla para distintas aplicaciones o con accesorios diferentes o con un mantenimiento deficiente, podría **augmentar** de forma considerable el nivel de exposición.

- en las ocasiones en que se apaga la herramienta o cuando está funcionando pero no está realizando ningún trabajo, se podría **reducir** considerablemente el nivel de exposición.

**! Protéjase contra los efectos de la vibración realizando el mantenimiento de la herramienta y sus accesorios, manteniendo sus manos calientes y organizando sus patrones de trabajo.**

P

## Berbequim de impacto sem escovas

3021

## INTRODUÇÃO

- Esta ferramenta foi criada para apertar e desapertar parafusos, bem como para perfurar madeira, cerâmica e plástico, e para perfurar com impacto tijolos.
- Esta ferramenta não foi criada para utilização profissional.
- Leia e guarde este manual de instruções. <sup>(3)</sup>

## CARACTERÍSTICAS TÉCNICAS <sup>(1)</sup>

Binário máximo para aplicações difíceis de aparafusar, de acordo com a ISO 5393: 55 Nm

## ELEMENTOS DA FERRAMENTA <sup>(2)</sup>

- A Interruptor para ligar/desligar e controlo da velocidade
- B Anel para controlo do binário
- C Posição de perfuração com impacto
- D Posição de perfuração
- E Posição para aparafusar
- F Interruptor para mudar as funções
- G Seletor da velocidade
- H Ranhuras de ventilação
- J Interruptor para mudar a direção de rotação
- K LUZ DE TRABALHO
- L Mandril
- M Botão do indicador do nível da bateria
- N Cabeça de aparafusar de duas extremidades

## SEGURANÇA

### AVISOS DE SEGURANÇA GERAIS DA FERRAMENTA ELÉTRICA

**! AVISO** Leia todos os avisos de segurança, instruções, ilustrações e especificações fornecidas com esta ferramenta elétrica. Não seguir todas as instruções apresentadas abaixo pode resultar em choque elétrico, incêndio e/ou ferimentos graves.

**Guarde todos os avisos e instruções para futuras referências.**

O termo "ferramenta elétrica" nos avisos diz respeito à sua ferramenta alimentada pela rede (com fio) ou com bateria (sem fio).

### 1) SEGURANÇA NA ÁREA DE TRABALHO

- a) **Mantenha a área de trabalho limpa e bem iluminada.** Áreas desarrumadas ou escuras são propícias a acidentes.
- b) **Não ligue ferramentas elétricas em atmosferas explosivas, tal como na presença de líquidos inflamáveis, gases ou pó.** As ferramentas elétricas geram faíscas que podem provocar a ignição dos fumos ou pó.
- c) **Mantenha as crianças e pessoas que passem afastadas enquanto trabalhar com uma ferramenta elétrica.** As distrações podem fazer com que perca o controlo.

## 2) SEGURANÇA ELÉTRICA

- a) **As fichas da ferramenta elétrica têm de corresponder à tomada. Nunca modifique uma ficha de forma alguma. Não utilize qualquer adaptador com ferramentas elétricas com ligação à terra.** Fichas não modificadas e tomadas correspondentes reduzirão o risco de choque elétrico.
- b) **Evite o contacto do corpo com superfícies ligadas à terra, tais como tubos, radiadores, bases e frigoríficos.** Existe um risco acrescido de choque elétrico se o seu corpo estiver ligado à terra.
- c) **Não exponha as ferramentas elétricas à chuva ou a condições húmidas.** A entrada da água na ferramenta elétrica aumentará o risco de choque elétrico.
- d) **Não force o fio da alimentação. Nunca utilize o fio para transportar, puxar ou desligar a ferramenta elétrica.** Mantenha o fio afastado do calor, óleo, arestas afiadas ou peças móveis. Fios danificados ou presos aumentam o risco de choque elétrico.
- e) **Quando estiver a trabalhar com uma ferramenta elétrica ao ar livre, utilize uma extensão adequada para a utilização no exterior.** A utilização de um fio adequado ao exterior reduz o risco de choque elétrico.
- f) **Se for inevitável trabalhar com uma ferramenta elétrica num local húmido, use uma alimentação protegida por um dispositivo de corrente residual (DCR).** A utilização de um DCR reduz o risco de choque elétrico.

## 3) SEGURANÇA PESSOAL

- a) **Mantenha-se alerta, observe o que está a fazer e use senso comum quando estiver a trabalhar com uma ferramenta elétrica.** Não use uma ferramenta elétrica enquanto estiver cansado ou sob o efeito de drogas, álcool ou medicação. Um momento de falta de atenção enquanto trabalha com ferramentas elétricas pode resultar em ferimentos graves.
- b) **Use equipamento pessoal de proteção. Use sempre proteção ocular.** O equipamento de segurança, tal como máscara respiratória, calçado de segurança antiderrapante, capacete de segurança ou proteção auditiva, utilizado nas condições adequadas reduzirá a hipótese de ferimentos.
- c) **Evite ligações sem intenção. Certifique-se de que o interruptor se encontra na posição de desligado antes de ligar a fonte de energia e/ou à bateria ao agarrar ou transportar a ferramenta.** Transportar ferramentas elétricas com o seu dedo no interruptor ou fornecer energia a ferramentas elétricas que tenham o interruptor na posição de ligado convida a acidentes.
- d) **Retire qualquer chave de ajuste ou chave de fendas antes de ligar a ferramenta elétrica.** Uma chave de

porcas ou uma chave deixada ligada a uma peça rotativa da ferramenta elétrica pode provocar ferimentos.

- e) **Não se estique. Mantenha sempre a base e o equilíbrio adequados.** Isso proporciona um melhor controlo da ferramenta elétrica em situações inesperadas.
- f) **Vista-se adequadamente. Não use roupa larga nem joias. Mantenha o seu cabelo e roupa afastados das peças móveis.** Roupas largas, joias ou cabelo comprido podem ser apanhados pelas peças em movimento.
- g) **Se forem fornecidos dispositivos para a ligação de extração de pó e facilidades de recolha, certifique-se de que estes estão ligados e de que são devidamente utilizados.** A utilização de dispositivos de extração do pó pode reduzir os perigos relacionados com o pó.
- h) **Não permita que a familiarização ganhe com a utilização de ferramentas o torne mais complacente e ignore os princípios de segurança da ferramenta.** Uma ação descuidada pode causar graves ferimentos numa fração de segundo.

## 4) UTILIZAÇÃO E CUIDADOS DA FERRAMENTA ELÉTRICA

- a) **Não force a ferramenta elétrica. Utilize a ferramenta elétrica correta para a sua aplicação.** A ferramenta elétrica correta fará o trabalho melhor e de forma mais segura ao ritmo para o qual foi concebida.
- b) **Não utilize a ferramenta elétrica se o interruptor não a ligar ou desligar.** Qualquer ferramenta que não possa ser controlada com o interruptor é perigosa e deve ser reparada.
- c) **Desligue a ficha da alimentação e/ou retire a bateria da ferramenta elétrica, se amovível, antes de fazer quaisquer ajustes, mudar de acessórios ou armazenar a ferramenta elétrica.** Tais medidas preventivas de segurança reduzem o risco de ligar a ferramenta elétrica acidentalmente.
- d) **Guarde ferramentas elétricas sem carga fora do alcance de crianças e não permita que pessoas estranhas às ferramentas elétricas ou a estas instruções trabalhem com a ferramenta elétrica.** As ferramentas elétricas são perigosas nas mãos de utilizadores sem formação.
- e) **Proceda à manutenção das ferramentas elétricas e acessórios. Verifique desalinhamentos ou bloqueios das peças móveis, peças partidas e quaisquer outras condições que possam afetar o funcionamento da ferramenta elétrica. Se estiver danificada, leve a ferramenta elétrica para ser reparada antes da utilização.** Muitos acidentes são provocados pela fraca manutenção das ferramentas elétricas.
- f) **Mantenha as ferramentas de corte afiadas e limpas.** Ferramentas de corte devidamente mantidas e com arestas de corte afiadas têm uma menor probabilidade de prender e são mais fáceis de controlar.
- g) **Use a ferramenta elétrica, acessórios e brocas, etc., de acordo com estas instruções, tendo em conta as condições de trabalho e o trabalho a ser efetuado.** A utilização da ferramenta elétrica para operações diferentes daquelas para que foi criada pode dar origem a uma situação perigosa.
- h) **Mantenha as pegas e superfícies de segurar secas,**

limpas e sem óleo ou gordura. Pegas e superfícies de segurar escorregadias não permitem o manuseamento seguro nem o controlo da ferramenta em situações inesperadas.

## 5) UTILIZAÇÃO E CUIDADOS DA FERRAMENTA COM A BATERIA

- a) **Recarregue apenas com o carregador especificado pelo fabricante.** Um carregador que seja adequado a um tipo de bateria pode criar um risco de incêndio quando usado com outra bateria.
  - b) **Use ferramentas elétricas apenas com as baterias especificamente designadas.** A utilização de outras baterias pode criar um risco de ferimentos e incêndio.
  - c) **Quando não usar a bateria, mantenha-a afastada de outros objetos de metal, como cliques de papel, moedas, chaves, pregos, parafusos ou outros pequenos objetos de metal que possam fazer a ligação entre os dois terminais.** Colocar os terminais da bateria em curto-circuito pode dar origem a queimaduras ou fogo.
  - d) **Sob condições abusivas, pode ser ejetado líquido da bateria; evite o contacto. Se ocorrer um contacto accidental, lave com água abundante. Se o líquido entrar em contacto com os olhos, procure ajuda médica.** O líquido ejetado da bateria pode provocar irritação ou queimaduras.
  - e) **Não use a bateria nem a ferramenta se estiverem danificadas ou modificadas.** Baterias danificadas ou modificadas podem apresentar comportamentos imprevisíveis, dando origem a fogo, explosão ou risco de lesões.
  - f) **Não exponha a bateria ou a ferramenta ao fogo ou temperatura excessiva.** A exposição ao fogo ou a temperaturas acima dos 130 °C pode causar uma explosão.
  - g) **Siga todas as instruções de carregamento e não carregue a bateria nem a ferramenta a uma temperatura fora dos parâmetros especificados nas instruções.** Carregar incorretamente ou a temperaturas fora dos parâmetros especificados pode danificar a bateria e aumentar o risco de fogo.
- ## 6) REPARAÇÃO
- a) **A reparação da sua ferramenta elétrica deverá ser sempre efetuada por pessoas qualificadas, utilizando apenas peças sobresselentes idênticas.** Isso garante que a segurança da ferramenta elétrica é mantida.
  - b) **Nunca tente reparar uma bateria danificada.** A reparação das baterias só deverá ser efetuada pelo fabricante ou por um reparador autorizado.

## INSTRUÇÕES DE SEGURANÇA DO BERBEQUIM DE IMPACTO SEM FIOS

- ### 1) INSTRUÇÕES DE SEGURANÇA PARA TODAS AS OPERAÇÕES
- a) **Use proteção auditiva quando perfurar com impacto.** A exposição ao ruído pode causar a perda de audição.
  - b) **Segure a ferramenta através das superfícies de prensão isoladas quando executar uma operação onde o acessório de corte ou fixador possa entrar em contacto com cabos elétricos escondidos.** O

contacto do acessório de corte e fixadores com um cabo "vivo" fará com que as peças de metal expostas da ferramenta elétrica deem um choque ao operador.

## 2) INSTRUÇÕES DE SEGURANÇA QUANDO USAR BROCAS COMPRIDAS

- a) **Nunca trabalhe com uma velocidade superior à velocidade máxima da broca.** Com velocidades mais elevadas, a broca pode dobrar, caso seja permitido que rode livremente sem contactar com a peça a ser trabalhada, dando origem a ferimentos pessoais.
- b) **Comece sempre a perfurar a baixa velocidade e com a ponta da broca em contacto com a peça a ser trabalhada.** Com velocidades mais elevadas, a broca pode dobrar, caso seja permitido que rode livremente sem contactar com a peça a ser trabalhada, dando origem a ferimentos pessoais.
- c) **Faça pressão apenas em linha reta com a broca, e não faça pressão excessiva.** As brocas podem dobrar, podendo quebrar ou dando origem a uma perda de controlo, resultando em ferimentos.

## GERAL

- As poeiras de materiais como tintas com chumbo, determinadas espécies de madeiras, minerais e metais podem ser prejudiciais (o contacto ou a inalação dessa poeira pode causar reações alérgicas e/ou doenças respiratórias no operador ou assistentes); **utilize uma máscara antipoeira e trabalhe com um dispositivo de extração de poeiras quando for possível ligar.**
- Determinados tipos de poeiras estão classificados como cancerígenos (como poeira de faia e carvalho) especialmente junto com aditivos para tratamento de madeiras. **Utilize uma máscara antipoeira e trabalhe com um dispositivo de extração de poeiras quando for possível ligar.**
- Siga as normas nacionais referentes a poeiras para os materiais com que pretende trabalhar.
- **Não trabalhe em materiais que contenham amianto** (o amianto é considerado cancerígeno).
- Certifique-se de que o interruptor J<sup>2</sup> está na posição central (fixada) antes de efetuar quaisquer ajustes ou substituir os acessórios, bem como quando transportar ou guardar a ferramenta.

## ACESSÓRIOS

- A SKIL apenas pode assegurar um funcionamento sem defeitos da ferramenta quando utilizados acessórios originais.
- Utilize apenas acessórios com uma velocidade admissível que corresponda, pelo menos, à velocidade mais elevada sem carga da ferramenta.

## ANTES DA UTILIZAÇÃO

- Evite danos que possam ser causados por parafusos, pregos e outros elementos na sua peça a ser trabalhada. Retire-os antes de começar o trabalho.
- **Fixe a peça a ser trabalhada** (uma peça a ser trabalhada fixada num torno ou dispositivo de fixação está mais segura do que sendo segurada à mão).
- **Use detetores adequados para encontrar estas linhas na área de trabalho, ou contacte a empresa local da respetiva utilidade para obter ajuda.** O contacto com linhas elétricas pode dar origem a fogo ou choque elétrico; danificar uma tubagem do gás pode dar origem a explosão; penetrar um tubo de água pode causar danos patrimoniais ou choque elétrico.

## BATERIA

- **A bateria fornecida vem parcialmente carregada.**

Para garantir a capacidade completa da bateria, carregue por completo a bateria no carregador antes de usar a sua ferramenta elétrica pela primeira vez.

- **Use apenas as seguintes baterias e carregadores com esta ferramenta**
  - Bateria SKIL: BR1\*31\*\*\*\*
  - Carregador SKIL: CR1\*31\*\*\*\*
- Não use a bateria danificada. Esta deverá ser substituída imediatamente.
- Não desmonte a bateria.
- Não exponha a ferramenta/bateria à chuva.
- Temperatura ambiente permitida (ferramenta/carregador/bateria):
  - A carregar: 4 - 40 °C
  - Durante o funcionamento: -20 - 50 °C
  - Durante o armazenamento: -20 - 50 °C

#### EXPLICAÇÃO DOS SÍMBOLOS NA FERRAMENTA/BATERIA

- ③ Leia o manual de instruções antes da utilização.
- ④ As baterias podem explodir quando atiradas para o fogo, por isso, nunca queime uma bateria.
- ⑤ Guarde a ferramenta/carregador/bateria num local onde a temperatura não exceda os 50 °C.
- ⑥ Não elimine ferramentas elétricas juntamente com o lixo doméstico comum.

#### UTILIZAÇÃO

- Interruptor combinado para ligar/desligar e controlo da velocidade A ②
  - Controle a velocidade uniformemente do zero ao máximo fazendo mais ou menos pressão no gatilho.
- Carregar a bateria
  - ! **Leia os avisos de segurança e as instruções fornecidas com o carregador.**
- Remover/Instalar a bateria ②
- Indicador do nível da bateria ⑦
  - Prima o botão do indicador do nível da bateria M para ver o atual nível da bateria ⑦a.
  - ! **Quando o nível mais baixo do indicador da bateria começar a piscar após premir o botão M ⑦b, a bateria está descarregada.**
  - ! **Quando 2 níveis do indicador da bateria começarem a piscar após premir o botão M ⑦c, a bateria não se encontra dentro da temperatura de funcionamento permitida.**
- Alterar a direção de rotação ⑧
  - Quando não estiver devidamente colocado na posição esquerda/direita, o interruptor A ② não pode ser ativado.
  - ! **Altere a direção de rotação apenas quando a ferramenta parar por completo.**
- Mudar de cabeças de aperto/brocas ⑨
  - ! **Não use cabeças de aperto com o eixo danificado.**
- Controlo do binário (VariTorque) ⑩
  - O binário de saída aumenta à medida que o anel da embraiagem B é rodado de 1 a 17.
  - Quando aparafusar, primeiro tente a posição VariTorque 1, e aumente até atingir a profundidade desejada.
  - A posição D fixa a embraiagem, para permitir uma perfuração (sem impacto) ou o aparafusar em trabalhos difíceis.
  - A posição C fixa a embraiagem para permitir apenas

perfurar com impacto.

- ! **Certifique-se de que o seletor da velocidade G está na posição 2 quando o seletor da função F estiver na posição de perfuração com impacto.**
- ! **Não use a posição de perfuração com impacto C para perfurar madeira, metal, cerâmica e plástico, para evitar que a broca/cabeça de aperto fique danificada.**

- Seleção mecânica da velocidade ⑪
  - Coloque o seletor G na velocidade desejada.
  - ! **Utilize o seletor da velocidade enquanto a ferramenta funciona lentamente.**
- 1
  - Baixa velocidade
  - Binário elevado
  - Para aparafusar e perfurar grandes diâmetros
  - Para rosçar
- 2
  - Alta velocidade
  - Binário baixo
  - Para perfurar com impacto
  - Para perfurar diâmetros pequenos
- LUZ DE TRABALHO K ⑫
  - A LUZ DE TRABALHO K acende-se quando a ferramenta é ligada.
  - ! **Quando a LUZ DE TRABALHO começar a piscar, a proteção da bateria é ativada (consulte abaixo).**
- Proteção da bateria
  - A ferramenta desliga-se de repente ou é impossível ligá-la quando
    - a carga é muito grande -> retire a carga e reinicie.
    - A temperatura da bateria não se encontra dentro do raio da temperatura de funcionamento permitida de -20 a +50 °C -> 2 níveis do indicador do nível da bateria começam a piscar quando prime o botão M ⑦c; espere que a bateria volte ao raio da temperatura de funcionamento permitida.
    - A bateria está quase gasta (para proteger contra grandes descargas) -> é apresentado um baixo nível da bateria ou a piscar ⑦b indicador do nível da bateria quando prime o botão M; carregue a bateria.
  - ! **Não continue a premir o interruptor de ligar/desligar após a ferramenta se desligar automaticamente. A bateria pode ficar danificada.**
- Segurar e orientar a ferramenta ⑬
  - ! **Durante o trabalho, segure sempre a ferramenta pelas áreas cinzentas.**
  - Mantenha as ranhuras de ventilação H ② desobstruídas.
  - Não aplique demasiada pressão na ferramenta. Deixe a ferramenta trabalhar por si.

#### CONSELHOS DE APLICAÇÃO

- Use a cabeça de aparafusar adequada. ⑭
  - ! **Use apenas brocas afiadas.**
- Quando perfurar metais ferrosos.
  - Faça um orifício mais pequeno com antecedência, quando tiver de perfurar um orifício grande.
  - Lubrifique ocasionalmente a broca com óleo.
- Quando enroscar um parafuso perto de uma extremidade transversal ou na extremidade de madeira, faça previamente um orifício para evitar lascas a madeira.
- Para uma utilização ótima da ferramenta, tem de fazer

uma pressão constante no parafuso, especialmente quando o retirar.

- Quando enroscar um parafuso em madeira dura, deverá fazer primeiro um orifício piloto.
- Perfurar madeira sem lascas (15)
- Perfurar paredes sem pó (16)
- Perfurar tetos sem pó (17)
- Perfurar azulejos sem deslizar (18)
- Para mais informações, consulte [www.skil.com](http://www.skil.com).

## MANUTENÇÃO / REPARAÇÃO

- Esta ferramenta não foi criada para utilização profissional.
- Mantenha sempre a ferramenta limpa (especialmente as ranhuras de ventilação H (2)).  
**! Retire a bateria da ferramenta antes de proceder à limpeza.**
- Se a ferramenta falhar apesar dos cuidados de fabrico e procedimentos de teste, a reparação deverá ser efetuada por um centro de reparação pós-venda autorizado para ferramentas elétricas SKIL.
  - Envie a ferramenta desmontada, juntamente com a prova de compra, para o seu representante ou ponto de reparação SKIL mais próximo (os endereços e também os esquemas de reparação estão listados em [www.skil.com](http://www.skil.com)).
- Tenha em conta que danos devido a sobrecarga ou manuseamento inadequado da ferramenta não são abrangidos pela garantia (para saber as condições da garantia SKIL, consulte [www.skil.com](http://www.skil.com) ou informe-se com o seu revendedor).

## AMBIENTE

- **Não elimine ferramentas elétricas, baterias, acessórios e embalagens juntamente com o lixo doméstico comum** (apenas para países da UE).
  - Em conformidade com a Diretiva Europeia 2012/19/CE relativa aos resíduos de equipamento elétrico e eletrónico e respetiva implementação em conformidade com as leis nacionais, ferramentas elétricas que tenham atingido o final do seu ciclo de vida devem ser recolhidas separadamente e entregues em instalações de reciclagem ambientalmente compatíveis.
  - O símbolo (6) serve para lembrar isto quando for necessária a eliminação.
- **! Antes da eliminação, proteja os terminais da bateria com fita resistente, para evitar um curto-circuito.**

## RUÍDO/VIBRAÇÃO

- Medido de acordo com a EN 62841. O nível de pressão do som desta ferramenta é de 90 dB(A), e o nível de potência do som é de 98 dB(A) (incerteza K = 5 dB), e a vibração \* (soma vetorial das 3 direções; incerteza K = 1,5 m/s<sup>2</sup>)
  - \* quando perfurar metal 12,41 m/s<sup>2</sup>
  - \* quando perfurar com impacto betão 14,49 m/s<sup>2</sup>
- O nível de emissão da vibração foi medido de acordo com um teste padronizado da norma EN 62841. Pode ser usado para comparar duas ferramentas e como avaliação preliminar da exposição à vibração quando

usar a ferramenta para as aplicações mencionadas.

- Usar a ferramenta para diferentes aplicações, ou com acessórios diferentes ou mal mantidos, pode **umentar** significativamente o nível de exposição.
- As vezes que a ferramenta é desligada ou quando estiver a funcionar, mas sem estar a efetuar o trabalho, pode **reduzir** significativamente o nível de exposição.

**! Proteja-se dos efeitos das vibrações realizando a manutenção da ferramenta e dos seus acessórios, mantendo as mãos quentes e organizando os seus padrões de trabalho.**

1

## Trapano a percussione brushless

3021

## INTRODUZIONE

- Questo utensile è progettato per avvitare e svitare viti, per forare legno, metallo, ceramica e plastica e per forare a percussione i mattoni.
- Questo utensile non è destinato all'uso professionale.
- Leggere e conservare questo manuale di istruzioni. (3)

## SPECIFICHE TECNICHE (1)

Coppia max. per applicazioni di avvitatura ai sensi di ISO 5393: 55 Nm

## COMPONENTI DELL'UTENSILE (2)

- A** Interruttore di avvio/arresto con controllo di velocità variabile
- B** Anello di regolazione della coppia
- C** Trapanatura a percussione
- D** Trapanatura semplice
- E** Avvitatura
- F** Selettore della modalità
- G** Selettore della velocità
- H** Aperture di ventilazione
- J** Selettore della direzione di rotazione
- K** Luce di lavoro
- L** Mandrino
- M** Pulsante dell'indicatore del livello della batteria
- N** Punta doppia

## SICUREZZA

**AVVERTENZE DI SICUREZZA COMUNI A TUTTI GLI UTENSILI ELETTRICI**

**AVVERTENZA! Consultare tutte le avvertenze di sicurezza, le istruzioni, le illustrazioni e le specifiche fornite insieme a questo utensile elettrico.** Il mancato rispetto delle istruzioni sotto riportate comporta il rischio di scossa elettrica, incendio e/o gravi infortuni.

**Conservare tutte le avvertenze e le istruzioni per futuro riferimento.**

Il termine "utensile elettrico" utilizzato nelle avvertenze indica un utensile elettrico alimentato tramite rete elettrica (con

cavo) o batterie (senza cavo).

### 1) SICUREZZA DELL'AREA DI LAVORO

- a) **Mantenere l'area di lavoro pulita e ben illuminata.** Il disordine e la scarsa illuminazione favoriscono gli incidenti.
- b) **Non usare gli utensili elettrici in atmosfere esplosive, ad esempio in presenza di liquidi, gas o polveri infiammabili.** Gli utensili elettrici creano scintille che possono incendiare polveri o fumi.
- c) **Durante l'uso dell'utensile elettrico, tenere a distanza i bambini e le persone presenti.** Le distrazioni possono far perdere il controllo.

### 2) SICUREZZA ELETTRICA

- a) **Le spine degli utensili elettrici devono essere adatte al tipo di presa. Non modificare la spina in alcun modo. Non usare adattatori con gli utensili elettrici dotati di messa a terra (collegati a massa).** L'uso di spine originali corrispondenti al tipo di presa riduce il rischio di scossa elettrica.
- b) **Evitare il contatto del corpo con superfici collegate a terra come tubi, radiatori, fornelli elettrici e frigoriferi.** Il rischio di scossa elettrica aumenta se il proprio corpo è collegato a terra.
- c) **Non esporre gli utensili elettrici a pioggia o umidità.** L'infiltrazione di acqua all'interno di un utensile elettrico aumenta il rischio di scossa elettrica.
- d) **Non utilizzare il cavo in modo improprio. Non usare il cavo per trasportare, tirare o scollegare l'utensile elettrico dalla presa di corrente. Tenere il cavo al riparo da calore, olio, bordi taglienti o parti in movimento.** La presenza di cavi danneggiati o aggrovigliati aumenta il rischio di scossa elettrica.
- e) **Durante l'uso di un utensile elettrico all'aperto, utilizzare una prolunga idonea per ambienti esterni.** L'uso di un cavo idoneo riduce il rischio di scossa elettrica.
- f) **Se è necessario lavorare in un luogo umido, utilizzare un circuito elettrico dotato di interruttore differenziale (RCD).** L'uso di un interruttore differenziale riduce il rischio di scossa elettrica.

### 3) SICUREZZA PERSONALE

- a) **Durante l'uso di un utensile elettrico, prestare sempre la massima attenzione e utilizzare il buon senso.** Non usare un utensile elettrico se si è stanchi o sotto l'effetto di droghe, alcol o farmaci. Anche un solo momento di disattenzione durante l'uso dell'utensile elettrico può provocare gravi infortuni.
- b) **Indossare dispositivi di protezione individuale. Indossare dispositivi di protezione per gli occhi.** I dispositivi di protezione individuale come maschere antipolvere, calzature antiscivolo, caschi e cuffie per le orecchie, se utilizzati quando le circostanze lo richiedono, riducono il rischio di infortuni.
- c) **Prevenire l'avvio accidentale. Assicurarsi che l'interruttore sia in posizione di arresto prima di sollevare, trasportare o collegare l'utensile elettrico alla presa di corrente e/o alla batteria.** Per ridurre il rischio di incidenti, non trasportare gli utensili elettrici tenendo le dita sull'interruttore e non collegarli alla fonte di alimentazione se l'interruttore è in posizione di avvio.
- d) **Rimuovere eventuali chiavi di regolazione o avvitamento prima di avviare l'utensile elettrico.**

Una chiave di serraggio rimasta inserita in un elemento mobile dell'utensile elettrico può provocare infortuni.

- e) **Non allungarsi eccessivamente. Mantenere sempre un buon equilibrio evitando posizioni instabili.** Ciò assicura un miglior controllo dell'utensile elettrico in situazioni impreviste.
  - f) **Vestirsi in modo adeguato. Non indossare indumenti ampi o gioielli. Tenere capelli e indumenti lontani dalle parti in movimento.** Indumenti ampi, gioielli e capelli lunghi possono impigliarsi nelle parti in movimento.
  - g) **Se sono disponibili dei dispositivi per l'estrazione e la raccolta della polvere, assicurarsi che siano collegati e utilizzati correttamente.** L'uso di tali dispositivi può ridurre i rischi derivanti dalla polvere.
  - h) **Non lasciare che la familiarità con l'utensile (derivata da un uso frequente) abbassi il livello di attenzione.** Anche una minima distrazione può causare gravi infortuni.
- ### 4) USO E MANUTENZIONE DELL'UTENSILE ELETTRICO
- a) **Non forzare l'utensile elettrico. Utilizzare l'utensile più adatto al lavoro da svolgere.** Un utensile elettrico corretto è più sicuro ed efficace al regime per cui è stato progettato.
  - b) **Non usare l'utensile elettrico se l'interruttore non funziona correttamente.** Un utensile elettrico che non può essere controllato dall'interruttore è pericoloso e deve essere riparato.
  - c) **Rimuovere il gruppo batteria, se removibile, e/o scollegare l'utensile elettrico dalla rete elettrica prima di regolarlo, riporlo o sostituire gli accessori** Tali misure preventive riducono il rischio di avvio accidentale dell'utensile elettrico.
  - d) **Riporre gli utensili elettrici fuori dalla portata dei bambini e non permetterne l'uso a persone che non hanno familiarità con l'utensile o con queste istruzioni.** Gli utensili elettrici sono pericolosi se utilizzati da persone non competenti.
  - e) **Mantenere gli utensili elettrici e gli accessori in buono stato. Verificare che le parti mobili non siano disallineate o inceppate, che i componenti non siano danneggiati e che non siano presenti altri problemi che potrebbero pregiudicare il corretto funzionamento dell'utensile elettrico.** Se l'utensile elettrico è danneggiato, farlo riparare prima di utilizzarlo nuovamente. Molti incidenti sono provocati da utensili elettrici in cattive condizioni.
  - f) **Mantenere gli accessori di taglio puliti e affilati.** Un'adeguata manutenzione e affilatura degli accessori da taglio riduce il rischio di inceppamento e facilita il controllo dell'utensile elettrico.
  - g) **Usare l'utensile elettrico, gli accessori, le punte ecc. conformemente a queste istruzioni, tenendo conto delle condizioni dell'area di lavoro e del tipo di lavoro da svolgere.** L'uso dell'utensile elettrico per operazioni diverse da quelle per cui è progettato può comportare situazioni di pericolo.
  - h) **Mantenere le impugnature e le superfici di presa asciutte, pulite e prive di olio o grasso.** Impugnature e superfici di presa scivolose non garantiscono l'uso sicuro e il controllo dell'utensile in situazioni impreviste.
- ### 5) USO E MANUTENZIONE DEGLI UTENSILI A



## BATTERIA

- a) **Ricaricare la batteria esclusivamente con il caricabatteria specificato dal costruttore.** Un caricabatteria adatto a un certo tipo di gruppo batteria comporta il rischio di incendio se utilizzato con gruppi batteria di tipo diverso.
  - b) **Usare gli utensili esclusivamente con i gruppi batteria specificamente progettati.** L'uso di altri gruppi batteria comporta il rischio di incendio e infortunio.
  - c) **Quando il gruppo batteria non è in uso, tenerlo lontano da piccoli oggetti metallici, ad esempio graffette, monete, chiavi, chiodi, viti ecc. poiché potrebbero creare un collegamento tra i due terminali.** Il cortocircuito dei terminali della batteria comporta il rischio di incendio o ustioni.
  - d) **L'utilizzo improprio può causare fuoriuscite di liquido dalla batteria: evitare il contatto con tale liquido. In caso di contatto accidentale, lavare con acqua. Se il liquido entra a contatto con gli occhi, consultare un medico.** Il liquido fuoriuscito dalla batteria può causare irritazioni o ustioni.
  - e) **Non usare gruppi batteria o utensili danneggiati o modificati.** Le batterie danneggiate o modificate possono manifestare comportamenti imprevedibili, con il rischio di incendio, esplosione o infortunio.
  - f) **Non esporre il gruppo batteria o l'utensile a fiamme o temperature eccessive.** L'esposizione a fiamme o temperature superiori a 130°C comporta il rischio di esplosione.
  - g) **Rispettare tutte le istruzioni relative alla ricarica e non ricaricare il gruppo batteria o l'utensile a temperature diverse da quelle specificate nelle istruzioni.** Una ricarica eseguita in modo improprio o a temperature diverse da quelle specificate può danneggiare la batteria e aumentare il rischio di incendio.
- ## 6) RIPARAZIONI
- a) **Affidare la riparazione dell'utensile a personale qualificato e utilizzare esclusivamente parti di ricambio identiche.** Ciò garantisce la sicurezza dell'utensile elettrico.
  - b) **Non riparare gruppi batteria danneggiati.** La riparazione dei gruppi batteria deve essere effettuata esclusivamente dal costruttore o da un centro di assistenza autorizzato.

## AVVERTENZE DI SICUREZZA SPECIFICHE PER TRAPANI A PERCUSSIONE CORDLESS

### 1) AVVERTENZE DI SICUREZZA PER TUTTE LE OPERAZIONI

- a) **Indossare protezioni per le orecchie durante l'uso del trapano a percussione.** L'esposizione alle emissioni acustiche può provocare danni all'udito.
  - b) **Tenere l'utensile elettrico esclusivamente tramite le impugnature isolanti durante le operazioni in cui l'accessorio di taglio o il dispositivo di fissaggio può entrare a contatto con cavi elettrici nascosti.** Se l'accessorio di taglio o il dispositivo di fissaggio tocca un cavo elettrificato può trasmettere la corrente alle parti metalliche dell'utensile, esponendo l'operatore al rischio di scossa elettrica.
- ### 2) AVVERTENZE DI SICUREZZA PER L'USO DI PUNTE DA TRAPANO LUNGHE

- a) **Non usare velocità superiori alla velocità massima riportata sulla punta da trapano.** A velocità superiori, la punta può incepparsi quando ruota liberamente senza entrare a contatto con il materiale, comportando il rischio di lesioni gravi.
- b) **Iniziare la foratura a bassa velocità, e con l'estremità della punta a contatto con il materiale.** A velocità superiori, la punta può incepparsi quando ruota liberamente senza entrare a contatto con il materiale, comportando il rischio di lesioni gravi.
- c) **Applicare pressione esclusivamente in linea retta, in linea con la punta, e non applicare una pressione eccessiva.** Le punte possono piegarsi, comportando il rischio di rottura, perdita di controllo e lesioni personali.

## AVVERTENZE GENERALI

- Polveri derivanti da materiali come rivestimenti a base di piombo, alcuni tipi di legno, metallo e minerali possono essere tossiche. Toccare o respirare tali polveri può causare, all'utente o alle persone presenti, reazioni allergiche e/o infiammazioni alle vie respiratorie. **Indossare una maschera antipolvere e usare sistemi di estrazione della polvere, se disponibili.**
- Alcuni tipi di polveri, ad esempio quelle di quercia e faggio, sono considerate cancerogene, in particolare se il legno è stato trattato (con cromo o preservanti per legno). **Indossare una maschera antipolvere e usare sistemi di estrazione della polvere, se disponibili.**
- Rispettare le normative nazionali rilevanti in merito ai materiali con cui si desidera lavorare.
- **Non lavorare materiali contenenti amianto.** L'amianto è considerato una sostanza cancerogena.
- Assicurarsi che il selettore della direzione J(2) sia in posizione di bloccaggio (centrale) prima di eseguire qualsiasi regolazione, sostituire gli accessori e trasportare o riporre l'utensile.

## ACCESSORI

- SKIL assicura il corretto funzionamento dell'utensile se sono utilizzati accessori originali.
- Utilizzare esclusivamente accessori la cui velocità consentita è almeno equivalente alla velocità a vuoto massima dell'apparecchio.

## PRIMA DELL'USO

- Rimuovere eventuali viti, chiodi e altri elementi presenti nel pezzo in lavorazione per evitare che causino danni.
- **Fissare il pezzo in lavorazione** (un pezzo fissato con appositi dispositivi o una morsa è bloccato più saldamente).
- **Rilevare l'eventuale presenza di cavi elettrici o tubature nascosti nell'area di lavoro con appositi rilevatori o contattando le relative società responsabili.** Il contatto con cavi elettrici comporta il rischio di incendio e scossa elettrica; il danneggiamento di tubi del gas comporta il rischio di esplosione; la rottura di un tubo dell'acqua comporta il rischio di danni materiali o scossa elettrica.

## BATTERIE

- **Se inclusa, la batteria è parzialmente carica.** Per garantire la piena capacità della batteria, ricaricarla completamente con il caricabatteria prima di usare l'utensile per la prima volta.
- **Utilizzare esclusivamente le batterie e i caricabatteria elencati di seguito con questo utensile.**
  - Batteria SKIL: BR1\*31\*\*\*\*
  - Caricabatteria SKIL: CR1\*31\*\*\*\*

- Non utilizzare la batteria se è danneggiata. Sostituirla immediatamente.
- Non disassemblare la batteria.
- Non esporre l'utensile o la batteria alla pioggia.
- Temperature ambientali (utensile/caricabatteria/batteria):
- Durante la ricarica: da 4°C a 40°C
- Durante l'uso: da -20°C a +50°C
- Durante la conservazione: da -20°C a +50°C

#### SIGNIFICATO DEI SIMBOLI SULL'UTENSILE E SULLA BATTERIA

- ③ Leggere il manuale di istruzioni prima dell'uso.
- ④ Le batterie possono esplodere se gettate nel fuoco. Pertanto, non bruciarle per alcun motivo.
- ⑤ Riporre l'utensile, il caricabatteria e la batteria in ambienti la cui temperatura non supera i 50°C.
- ⑥ Non smaltire l'utensile e le batterie insieme ai rifiuti domestici.

#### UTILIZZO

- Interruttore di avvio/arresto con controllo di velocità variabile A ②
  - Variare la pressione sull'interruttore per regolare la velocità fino al livello massimo.
- Ricarica della batteria
  - ! **Leggere le istruzioni e le avvertenze di sicurezza fornite insieme al caricabatteria.**
- Rimozione/inserimento della batteria ②
- Indicatore del livello della batteria ⑦
  - Premere il pulsante dell'indicatore del livello della batteria M per visualizzare il livello di carica corrente della batteria ⑦a.
  - ! **Quando l'ultima barra dell'indicatore del livello della batteria inizia a lampeggiare dopo aver premuto il pulsante M ⑦b, la batteria è scarica.**
  - ! **Quando 2 barre dell'indicatore del livello della batteria iniziano a lampeggiare dopo aver premuto il pulsante M ⑦c, la temperatura della batteria è fuori dai valori che ne consentono il funzionamento.**
- Selezione della direzione di rotazione ⑧
  - Se il selettore della direzione non è posizionato a destra o a sinistra, l'interruttore A ② non può essere attivato.
  - ! **Modificare la direzione di rotazione esclusivamente quando l'utensile è completamente fermo.**
- Sostituzione delle punte ⑨
  - ! **Non usare punte con codolo danneggiato.**
- Regolazione della coppia (VariTorque) ⑩
  - Per aumentare la coppia, ruotare l'anello B dalla posizione 1 alla posizione 17.
  - Iniziare le operazioni di avvitatura con il VariTorque in posizione 1, e aumentare la coppia fino al raggiungimento della profondità desiderata.
  - La posizione D blocca il mandrino le operazioni di trapanatura semplice o di avvitatura intensa.
  - La posizione C blocca il mandrino le operazioni di trapanatura a percussione.
  - ! **Assicurarsi che il selettore della velocità G sia in posizione 2 quando il selettore F è in posizione Trapanatura a percussione.**
  - ! **Non usare la posizione C (trapanatura a percussione) per la foratura di legno, metallo,**

#### ceramica e plastica per evitare danni all'utensile e/o alla punta.

- Selezione della velocità ⑪
  - Portare il selettore C in corrispondenza della velocità desiderata.

! **Spostare il selettore esclusivamente quando l'utensile è in funzione a bassa velocità.**

1

- Bassa velocità
- Coppia elevata
- Per avvitare e praticare fori grandi
- Per viti con filettatura automaschiante

2

- Alta velocità
- Bassa coppia
- Per la trapanatura a percussione
- Per praticare fori piccoli

- Luce di lavoro K ⑫

- La luce di lavoro K si illumina all'avvio dell'utensile.

! **Quando la luce di lavoro inizia a lampeggiare, la funzione di protezione della batteria si è attivata (come descritto di seguito).**

- Protezione della batteria
  - L'utensile si arresta automaticamente, o non si avvia, nei seguenti casi:
    - Il carico è eccessivo. --> Rimuovere il carico e riavviare l'utensile.
    - La temperatura della batteria è inferiore a -20°C o superiore a +50°C. --> 2 barre dell'indicatore del livello della batteria iniziano a lampeggiare dopo aver premuto il pulsante M ⑦c. Attendere che la batteria raggiunga la temperatura di funzionamento corretta.
    - La batteria è quasi scarica (protezione contro lo scaricamento profondo). --> Il livello di carica della batteria è indicato da una barra lampeggiante ⑦b dopo aver premuto il pulsante M. Ricaricare la batteria.
    - ! **Non premere l'interruttore di avvio/arresto dopo l'arresto automatico dell'utensile per evitare di danneggiare la batteria.**
- Manipolazione e controllo dell'utensile ⑬
  - ! **Durante l'uso, tenere l'utensile afferrando le aree evidenziate in grigio.**
  - Non coprire le aperture di ventilazione H ②.
  - Non applicare una pressione eccessiva sull'utensile; lasciare che l'utensile svolga il lavoro senza forzarlo.

#### SUGGERIMENTI PER L'USO

- Utilizzare punte appropriate ⑭
  - ! **Utilizzare esclusivamente punte affilate.**
- Per la foratura di metalli ferrosi
  - Se è necessario praticare un foro grande, iniziare con un foro pilota di dimensioni inferiori.
  - Lubrificare occasionalmente la punta con olio.
- Durante l'inserimento di una vite in prossimità del bordo di un pannello in legno, praticare un foro pilota per evitare la spaccatura del legno.
- Per un utilizzo ottimale dell'utensile è necessario applicare una pressione costante sulla vite, in particolare durante la rimozione.
- Durante l'inserimento di una vite nel legno duro, praticare sempre un foro pilota.
- Procedura per evitare la spaccatura del legno ⑮
- Procedura per raccogliere la polvere durante la foratura

- di pareti <sup>16</sup>
- Procedura per raccogliere la polvere durante la foratura di soffitti <sup>17</sup>
- Procedura per evitare lo scivolamento sulle piastrelle <sup>16</sup>
- Per ulteriori informazioni, visitare il sito web [www.skil.com](http://www.skil.com)

## MANUTENZIONE E RIPARAZIONE

- Questo utensile non è destinato all'uso professionale.
- Mantenere l'utensile sempre pulito (in particolare le aperture di ventilazione H <sup>2</sup>).
- ! **Rimuovere la batteria dall'utensile prima di pulirlo.**
- Se l'utensile presenta malfunzionamenti nonostante l'attenzione durante la fabbricazione e il collaudo, deve essere riparato da un centro di assistenza autorizzato SKIL.
  - Portare l'utensile senza disassemblarlo insieme a una prova di acquisto presso il rivenditore o a un centro di assistenza SKIL (gli indirizzi e la vista esplosa dell'utensile sono riportati sul sito web [www.skil.com](http://www.skil.com)).
- Nota: i danni causati dal sovraccarico o da un utilizzo improprio dell'utensile non sono coperti dalla garanzia (le condizioni della garanzia SKIL sono consultabili sul sito web [www.skil.com](http://www.skil.com) o presso il rivenditore).

## PROTEZIONE AMBIENTALE

- **Non smaltire gli utensili, le batterie, gli accessori e i materiali di imballaggio insieme ai rifiuti domestici** (solo per i Paesi UE).
  - Ai sensi della direttiva europea 2012/19/EC sui rifiuti di apparecchiature elettriche ed elettroniche e alla sua implementazione nella legislazione nazionale, gli utensili elettrici devono essere raccolti separatamente e portati presso un'apposita struttura di riciclaggio.
  - Il simbolo <sup>6</sup> indica tale obbligo.
- ! **Prima dello smaltimento, proteggere i terminali della batteria con del nastro isolante per evitare il rischio di corto circuito.**

## EMISSIONE ACUSTICA E VIBRAZIONI

- I valori di emissioni acustica e delle vibrazioni sono stati misurati conformemente a EN 62841. Il livello di pressione sonora dell'utensile è di 90 dB(A) e il livello di potenza sonora è di 98 dB(A) (incertezza K = 5 dB). Il livello di vibrazioni è \* (somma vettoriale triassiale; incertezza K = 1,5 m/s<sup>2</sup>)
  - \* Trapanatura nel metallo: 12,41 m/s<sup>2</sup>
  - \* Trapanatura a percussione nel cemento: 14,49 m/s<sup>2</sup>
- Il valore totale di emissione delle vibrazioni è stato misurato con il metodo valutazione standard prescritto da EN 62841 e può essere utilizzato per confrontare l'utensile con altri prodotti analoghi e per una valutazione preliminare dei livelli di esposizione.
  - L'utilizzo dell'utensile per altri scopi, o l'utilizzo di accessori diversi o in cattive condizioni, può **aumentare** significativamente il livello di esposizione.
  - Il periodo in cui l'utensile è spento, o è in funzione ma non in uso, può **ridurre** significativamente il livello di esposizione.
- ! **Per proteggersi dagli effetti delle vibrazioni, mantenere l'utensile e gli accessori in buono stato, tenere le mani calde e pianificare il lavoro.**

H

## Szénkefe nélküli űtfűró

3021

## BEVEZETÉS

- A szerszám csavarok meghúzására és lazítására, valamint fa, kerámiák és műanyag fúrásra és téglá űtfűrására szolgál.
- Ez a szerszám nem professzionális használatra készült.
- Olvassa el figyelmesen és őrizze meg ezt a használati utasítást.<sup>3</sup>

## MŰSZAKI ADATOK <sup>1</sup>

Maximális forgatónyomaték kemény csavarozásnál az ISO 5393 szerint: 55 Nm

## A SZERSZÁM RÉSZEI <sup>2</sup>

- A Be/Ki kapcsoló és sebességszabályozó
- B Forgatónyomaték szabályozó kapcsoló
- C űtfűrási helyzet
- D Fűrási helyzet
- E Csavarhúzási pozíció
- F Nyomja meg a funkció megváltoztatásához
- G Fokozatválasztó kapcsoló
- H Szellőzőnyílások
- J A forgásirány változtatására szolgáló kapcsoló
- K MUNKALÁMPA
- L Tokmány
- M Akkumulátor töltésszintjelző gomb
- N Duplavégű szerszámhegy

## BIZTONSÁG

### AZ ELEKTROMOS SZERSZÁMOKRA VONATKOZÓ ÁLTALÁNOS BIZTONSÁGI FIGYELMEZTETÉSEK

**FIGYELMEZTETÉS** Olvassa el az elektromos kéziszerszámhoz mellékelt összes biztonsági figyelmeztetést, utasítást, ábrát és specifikációt. Az alább felsorolt utasítások be nem tartása áramütést, tűzveszélyt és/vagy súlyos sérülést idézhet elő.

**Őrizzen meg minden figyelmeztetést és utasítást, hogy később is elő tudja majd venni.**

Az „elektromos kéziszerszám” megnevezés a figyelmeztetésekben egyaránt vonatkozik a hálózati feszültségről működtetett (vezetékes) elektromos kéziszerszámokra, valamint az akkumulátorról működtetett (vezeték nélküli) elektromos kéziszerszámokra.

#### 1) MUNKATERÜLETI BIZTONSÁG

- a) **A munkaterület legyen tiszta és jól megvilágított.** A munkaterületen uralkodó rendetlenségnek vagy a rossz megvilágításnak baleset lehet a következménye.
- b) **Ne használjon elektromos szerszámokat robbanásveszélynek kitett környezetben, például olyan helyen, ahol éghető folyadékok, gázok vagy porok találhatóak.** Az elektromos szerszámok szikrákat

képeznek, amelyek meggyújtják a porokat vagy gázokat.

- c) **Tartsa távol a gyermekeket és az illetéktelen személyeket, amikor elektromos szerszámmal dolgozik.** Ha megzavarják, elveszítheti uralmát a készülék felett.

## 2) ELEKTROMOS BIZTONSÁG

- a) **Az elektromos szerszám hálózati csatlakozódugójának illeszkednie kell az elektromos aljzathoz. Soha és semmiképpen se módosítsa a csatlakozódugót. Ne használjon adapteres csatlakozódugókat a földelt elektromos szerszámokhoz.** Az eredeti csatlakozódugó és megfelelő hálózati aljzat alkalmazásával megelőzi az áramütés veszélyét.
- b) **Ne érjen földelt felületekhez, ilyenek pl. a csövek, fűtőtestek, tűzhelyek vagy hűtőszekrények.** Az áramütés kockázata nagyobb, ha a teste le van földelve.
- c) **Ne tegye ki az elektromos szerszámot esőnek vagy nedves környezetnek.** Az elektromos szerszámba bekerülő víz megnöveli az áramütés kockázatát.
- d) **Ne használja a kábelt helytelen módon. Soha ne használja a kábelt az elektromos szerszám hordozására, húzására vagy lecsatlakoztatására. Tartsa távol a vezetéket hőtől, olajtól, éles szegélyektől és mozgó alkatrészekről.** A sérült vagy összegabalyodott hálózati kábelek megnövelik az áramütés veszélyét.
- e) **Az elektromos szerszám szabadtéri üzemeltetéséhez használjon szabadterén használható hosszabbító kábelt.** A szabadterén használható kábel alkalmazása csökkenti az áramütés kockázatát.
- f) **Ha elkerülhetetlen az elektromos szerszám használata nedves helyen, használjon földzárlat-megszakítóval (FI-relé) ellátott tápellátást.** A FI-relé használata csökkenti az áramütés veszélyét.
- ## 3) SZEMÉLYI BIZTONSÁG
- a) **Legyen figyelmes, ügyeljen arra, amit csinál, és jónan ésszel fogjon a munkához, ha elektromos szerszámot használ.** Ne használja az elektromos szerszámot, ha fáradtnak érzi magát, vagy ha kábítószert, alkoholt vagy gyógyszereket használ alatta áll. Az elektromos szerszám üzemeltetése közben egy pillanatnyi figyelmetlenség is súlyos személyi sérülést okozhat.
- b) **Használjon egyéni védőfelszerelést. Mindig viseljen védőszemüveget.** A védőfelszerelések, mint például porvédő maszk, csúszásmentes lábbeli, sisak és hallásvédő, rendeltetészerű használata révén elkerüli a sérülési veszélyeket.
- c) **Akadályozza meg a véletlen indítást. Ügyeljen arra, hogy a kapcsoló kikapcsolt állásban legyen, mielőtt az áramforráshoz és/vagy az akkumulátoregységhez csatlakoztatja, felveszi vagy viszi a szerszámot.** Balesetekhez vezethet, ha a hálózatra csatlakoztatott szerszámot úgy viszi, hogy közben az ujjá a bekapcsoló gombon van, vagy ha a hálózati csatlakozódugót olyankor dugja be az aljzatba, amikor be van kapcsolva a szerszám.
- d)  **Vegye ki a csavarkulcsot és a beállító szerszámot, mielőtt az elektromos szerszámot bekapcsolná.** Az elektromos szerszám mozgó alkatrészén felejtett csavarkulcs vagy eszköz személyi sérülést okozhat.

- e) **Ne hajoljon a szerszám fölé. Vegyen fel stabil testhelyzetet, és mindig tartsa meg az egyensúlyát.** Ezáltal jobban tudja irányítani az elektromos szerszámot a legváratlanabb helyzetben is.
- f) **Viseljen megfelelő ruházatot. Ne hordjon laza, bő ruhát, és ne viseljen ékszert. A haj és a ruházat ne érjen a mozgó részekhez.** A laza ruházatot, az ékszert vagy a hosszú hajat becsíphetik a mozgó alkatrészek.
- g) **Ha az elektromos kéziszerszámot porfelszívó vagy porfelfogó eszközzel szerelik fel, akkor győződjön meg arról, hogy ezek előírászerűen vannak-e csatlakoztatva, és használja őket a rendeltetésüknek megfelelően.** Porgyűjtő használata csökkentheti a porral járó veszélyeket.
- h) **Ne hagyja, hogy a rendszeres használat során megszerzett tapasztalat miatt túl magabiztossá váljon, és emiatt figyelmen kívül hagyja a biztonsági irányelveket.** Egy óvatlan cselekedet a másodperc töredéke alatt súlyos sérülést okozhat.
- ## 4) AZ ELEKTROMOS SZERSZÁM ÜZEMELTETÉSE ÉS GONDOZÁSA
- a) **Ne terhelje túl az elektromos szerszámot. A munkájához használja az arra alkalmas elektromos kéziszerszámot.** A megfelelő elektromos szerszámmal jobban és biztonságosabban dolgozhat a megadott teljesítményhatárokon belül.
- b) **Ne használja az elektromos szerszámot, ha nem lehet a bekapcsoló gomb segítségével be- vagy kikapcsolni.** Az olyan elektromos szerszám, amely nem irányítható a kapcsolóval, veszélyes és javításra szorul.
- c) **Húzza ki a hálózati csatlakozó dugót az aljzathoz és/ vagy vegye ki az akkumulátoregységet (ha kivehető) az elektromos szerszámából, mielőtt beállításokat végezne, tartozékot cserélné vagy az elektromos szerszámot elrakná.** Az ilyen megelőző biztonsági óvintézkedések csökkentik az elektromos szerszám véletlen beindításának kockázatát.
- d) **A használaton kívüli elektromos szerszámokat gyermekektől távol tartsa, és ne engedje meg, hogy olyan személyek használják az elektromos szerszámot, akik nem ismerik azt, vagy nincsenek tisztában ezekkel a biztonsági utasításokkal.** Az elektromos szerszámok veszélyt jelentenek a gyakorlatlan felhasználó kezében.
- e) **Gondosan tartsa karban az elektromos szerszámot és tartozékait. Ellenőrizze a mozgó részek beállítását és rögzítését, vizsgáljon meg minden részt, nem sérült-e, és ellenőrizze, nem állnak-e fenn olyan körülmények, amelyek befolyásolhatják az elektromos szerszám helyes működését. Használat előtt javíttassa meg a sérült elektromos szerszámot.** A rosszul karbantartott elektromos szerszámok sok balesetet okoznak.
- f) **A vágószerszámok legyenek mindig élesek és tiszták.** A megfelelően karbantartott és kiélezett vágóélekkel rendelkező vágószerszámok kevésbé hajlamosak az elgöbülésre, valamint könnyebben kezelhetők.
- g) **Az elektromos szerszámot, tartozékokat és szerszámfejeket, stb. mindig ezen biztonsági utasításoknak megfelelően használja, mindig vegye figyelembe a munkakörülményeket, és legyen tekintettel a megmunkálendő munkadarabra. Az**

elektromos kéziszerszám előírt rendeltetési céltól eltérő használata veszélyes helyzetet eredményezhet.

- h) Tartsa szárazon, tisztán, olajtól és zsírtól mentesen a fogantyúkat és a tartófelületeket.** A csúszós fogantyúk és tartófelületek miatt a szerszám kezelése és vezérése váratlan helyzetekben nem biztonságos.
- 5) AZ AKKUMULÁTORRAL MŰKÖDŐ SZERSZÁM ÜZEMELTETÉSE ÉS GONDOZÁSA**
- a) Csak a gyártó által meghatározott töltőt használja.** Az olyan töltő, amely egy típusú akkumulátoregységhez alkalmas, tűzveszélyt okozhat, ha más típusú akkumulátoregységhez használja.
- b) Az elektromos szerszámokat csak speciálisan meghatározott akkumulátoregységekkel használja.** Bármely más akkumulátoregység használata sérülés- vagy tűzveszélyt okozhat.
- c) Amikor nem használja az akkumulátoregységet, tartsa távol más fémtárgyaktól, például gemkapcsoktól, érméktől, kulcsoktól, szögektől, csavaroktól vagy más kis fémtárgyaktól, amelyek kapcsolatba léphetnek vele.** Az akkumulátorok kapcsolatai rövidzárlata égési sérülést vagy tüzet okozhat.
- d) Nem megfelelő körülmények között folyadék szívároghat az akkumulátorból; ne érjen ehhez. Amennyiben véletlenül hozzáér, mossa le vízzel.** Ha ez a folyadék szembe kerül, forduljon orvoshoz is. Az akkumulátorból kiszivárgó folyadék irritációt vagy égési sérülést okozhat.
- e) Ne használjon sérült vagy módosított akkumulátoregységet vagy szerszámot.** A sérült vagy módosított akkumulátorok előre nem látható viselkedést válthatnak ki, amelynek eredménye tűz, robbanás vagy sérülésveszély lehet.
- f) Ne tegye ki az akkumulátoregységet tűznek vagy túl magas hőmérsékletnek.** Ha tűznek, vagy 130 °C feletti hőmérsékletnek teszi ki, akkor felrobbanhat.
- g) Tartsa be a töltési utasításokat, és ne töltse az akkumulátoregységet vagy a szerszámot az utasításokban meghatározott hőmérséklet-tartományon kívül.** A nem megfelelő vagy a meghatározott hőmérséklet-tartományon kívüli töltés károsíthatja az akkumulátort, és növeli a tűzveszélyt.
- 6) SZERVIZ**
- a) Az elektromos kéziszerszám szervizelését szakképzett személy végezze, csak az eredetivel megegyező cserealkatrészek felhasználásával.** Ezzel biztosítja az elektromos szerszám biztonságának fenntartását.
- b) Soha ne szervizeljen sérült akkumulátoregységet.** Az akkumulátoregységet csak a gyártó vagy felhatalmazott szerviz szolgáltató szervizelheti.

## BIZTONSÁGI UTASÍTÁSOK AKKUMULÁTOROS FÚRÓKALAPÁCSHOZ

- 1) BIZTONSÁGI UTASÍTÁSOK AZ ÖSSZES MUNKAFOLYAMATHOZ**
- a) Viseljen fülvédőt ütvefúrás során.** A zajnak történő expozíció halláskárosodáshoz vezethet.
- b) Az elektromos szerszámot a szigetelt tartófelületeknél fogva tartsa, amikor olyan műveletet végez, ahol a fúrószerszám vagy a**

**tokmány rejtett vezetőket érinthet.** Ha a berendezés és a csavarok egy feszültség alatt álló vezetőkhöz érnek, az elektromos kéziszerszám fémrészei szintén feszültség alá kerülhetnek és áramütéshez vezethetnek.

## 2) BIZTONSÁGI UTASÍTÁSOK HOSSZÚ FÚRÓFEJ ALKALMAZÁSÁKOR

- a) Soha ne üzemeltesse magasabb sebességen a fúrófejt maximális sebességbesorolásánál.** Magasabb sebesség mellett a fej hajlamos elgörbülni, ha szabadon hagyják forogni a munkadarabhoz történő hozzáérés nélkül, ezzel személyi sérülést okozva.
- b) Mindig alacsony sebességen kezdje meg a fúrást, úgy, hogy a fúrófejt a munkadarabhoz ér.** Magasabb sebesség mellett a fej hajlamos elgörbülni, ha szabadon hagyják forogni a munkadarabhoz történő hozzáérés nélkül, ezzel személyi sérülést okozva.
- c) Egyenes vonalban és ne túl nagy erővel gyakoroljon nyomást a fúrófejre.** A fúrófejek elgörbülhetnek, ami a fúrófejt töréséhez vagy a szerszám feletti kontroll elvesztéséhez vezethet, ez pedig személyes sérülést okozhat.

## ÁLTALÁNOS TUDNIVALÓK

- Az olyan anyagokból származó por, mint például az olmot tartalmazó festék, néhány fafajta, ásványi anyagok és fém, káros lehet (a por megérintése vagy belégzése allergiás reakciókat és/vagy légzőszervi betegségeket okozhat a kezelő, illetve a közelben állók esetében); **viseljen pormaszkot, és amennyiben csatlakoztatható, dolgozzon porszivó berendezéssel**
- Bizonyos porfajták rákkeltő besorolással rendelkeznek (ilyen például a tölgypor- és a bükkfa pora), különösen a fa kondicionálására szolgáló adalékokkal együtt; **viseljen pormaszkot és amennyiben csatlakoztatható, dolgozzon porszivó berendezéssel**
- Kövesse a por kezelésével kapcsolatos helyi előírásokat azon termékkel kapcsolatosan, amellyel dolgozni kíván
- Ne munkáljon meg a berendezéssel azbesztet tartalmazó anyagokat** (az azbesztnek rákkeltő hatású anyagnak minősül)
- Győződjön meg róla, hogy a J<sup>2</sup> irányváltó-kapcsoló középső (rögzített) állásban van, mielőtt beállításokat végez vagy tartozékokat cserél, illetve amikor a gépet szállítja vagy tárolja

## TARTOZÉKOK

- SKIL cég kizárólag eredeti alkatrészek és kiegészítők alkalmazása esetén tudja garantálni a gép problémamentes működését
- Csak olyan tartozékokat használjon, amelyek legmagasabb megengedett fordulatszáma legalább akkora, mint a berendezés legmagasabb üresjárati fordulatszáma

## HASZNÁLAT ELŐTT

- Ügyeljen arra, hogy a munkadarabban lévő csavar, szög vagy hasonló sérüléseket ne okozhasson; a munka megkezdése előtt eltávolítandó
- Rögzítse a munkadarabot** (befogókészülékkel vagy satuval befogott munkadarabot sokkal biztonságosabban lehet rögzíteni mint a kézzel tartottat)
- A rejtett vezeték felkutatásához használjon alkalmas fémkereső készüléket, vagy kérje ki a helyi energiaellátó vállalat tanácsát** (ha egy elektromos vezetékkel a berendezéssel megérint, ez tűzhöz és áramütéshez vezethet; egy gázvezeték megroggálása robbanást eredményezhet; egy vízvezetékbe való behatolás anyagi károkhoz és áramütéshez vezethet)

## AKKUMULÁTOROK

- **A tartozék akkumulátor részlegesen van feltöltve** (az akkumulátor teljes kapacitásának biztosítása érdekében az elektromos szerszám első használata előtt töltsd fel teljesen az akkumulátort az akkumulátortöltőben)
- **Csak a következő akkumulátorokkal és töltőkkel használja a szerszámot**
  - SKIL akkumulátor: BR1\*31\*\*\*\*
  - SKIL töltő: CR1\*31\*\*\*\*
- A hibás akkumulátor haladéktalanul cserélje ki
- Ne szerelje szét az akkumulátort
- A szerszámot/akkumulátort óvja az esőtől
- Megengedett környezeti hőmérséklet (szerszám/töltő készülék/akkumulátor):
  - a töltés során 4...40°C
  - a használat során -20...+50°C
  - a tárolás során -20...+50°C

## A KÉSZÜLÉKEN/AKKUMULÁTORON TALÁLHATÓ SZIMBÓLUMOK MAGYARÁZATA

- ③ Használat előtt olvassa el a használati utasítást
- ④ Ha az akkumulátorok tűzbe kerülnek, akkor felrobbanhatnak, ezért semmilyen okból ne égesse el az akkumulátorokat
- ⑤ Ne tárolja a szerszámot/töltőt/akkumulátort 50°C feletti helyiségben
- ⑥ Ne dobja ki az elektromos szerszámokat és az akkumulátorokat a háztartási hulladékok közé

## KEZELÉS

- Kombinált kapcsoló a be-/kikapcsoláshoz és a sebességszabályozáshoz A ②
  - kapcsolóra gyakorolt nyomás megváltoztatásával a sebesség fokozatmentesen nulláról max. fordulatszámig szabályozható
- Az akkumulátor töltése
- **Olvassa el a töltővel kapott biztonsági figyelmeztetéseket és utasításokat**
- Az akkumulátor kivétele/berakása ②
- Akkumulátor töltésszintjelző ⑦
  - Nyomja meg az akkumulátor töltöttségi szintjét jelző M gombot az aktuális akkumulátorszint ⑦ a kijelzéséhez
  - ! amikor a M ⑦ b gomb megnyomása után az akkumulátor kijelzőjének legalacsonyabb szintje villogni kezd, akkor az akkumulátor lemerült**
  - ! ha az M ⑦ c gomb megnyomása után az akkumulátor töltésszintjelző 2. szintje villogni kezd, akkor az akkumulátor nincs a megengedett üzemi hőmérséklet-tartományon belül**
- Forgásirány változtatás ⑧
  - ha nincs megfelelően a bal/jobb pozícióba állítva, akkor az A ② kapcsolót nem lehet aktiválni
  - ! a forgásirány kizárólag a gép teljes leállása után változtatható**
- A bitek cseréje ⑨
  - ! soha ne használjon sérült befogóvégű bitet**
- Nyomatékszabályozás (VariTorque) ⑩
  - a forgatónyomatékat úgy növelheti, ha a B kuplunggyűrűt 1-ről 17-re forgatja
  - amikor egy csavart akarunk becsavarni, először a VariTorque 1-es helyzetű beállítását próbáljuk ki majd növeljük ezt, amíg a kívánt mélységet el nem érjük
  - a D pozíció reteszeli a kuplungot, lehetővé téve a nehéz (nem ütve) fúrás és csavarozási feladatok

elvégzését

- a C pozíció kizárólag útvefűráshoz reteszeli a kuplungot
- ! ellenőrizze, hogy a G fokozatválasztó kapcsoló 2-es helyzetben van, amikor az F kuplunggyűrűt útvefűrássra állítja**
- ! ne alkalmazza a C útvefűrási pozíciót fa, fém, kerámia és műanyag fűrására, hogy megelőzhesse a fúró/csavarozó bit károsodását**
- Mechanikus fokozatválasztás ⑪
  - a G választókapcsolót állítsa a kívánt fordulatszámra
  - ! a fokozatváltó kapcsolót akkor aktiválja, ha a gép alacsony fordulaton jár**
- 1
  - alacsony fordulatszám
  - magas forgatónyomaték
  - csavarok be és kihajtásához, nagy átmérőjű furatokhoz
  - menetfűráshoz
- 2
  - nagy fordulatszám
  - alacsony forgatónyomaték
  - útvefuratokhoz
  - kisebb átmérőjű furatokhoz
- MUNKALÁMPA K ⑫
  - A MUNKALÁMPA K akkor világít, amikor a szerszám be van kapcsolva.
  - ! Ha a MUNKALÁMPA elkezd villogni, az akkumulátor védelem bekapcsol (lásd az alábbiakban)**
- Az akkumulátor védelme
  - A szerszám hirtelen kikapcsol vagy nem lehet visszakapcsolni, ha
  - **túl nagy a terhelés** --> távolítsa el a terhelést és kezdje újra
  - **az akkumulátor hőmérséklete nem a -20 és +50 °C közötti megengedett üzemi hőmérséklettartományon belül van** --> az akkumulátor töltésszintjének 2. szintje villogni kezd az M ⑦ c gomb megnyomásakor; várjon, amíg az akkumulátor ismét a megengedett üzemi hőmérséklet-tartományba kerül
  - **az akkumulátor majdnem lemerült (a mélykisülés elleni védelem érdekében)** --> alacsony akkumulátor töltésszintet vagy villogó ⑦ b alacsony akkumulátor töltésszintet jelez a töltésszintjelző az M gomb megnyomásakor; töltsd fel az akkumulátort
  - ! ha a készülék automatikusan kikapcsolt, ne próbálja nyomogatni a be-/kikapcsoló gombot, mert az akkumulátor károsodhat**
- A szerszám vezetése és tartása ⑬
  - ! munka közben mindvégig tartsa gépet a szürke színű markolati terület(ek)en**
  - a H ② szellőzőnyílásokat mindig tartsa szabadon
  - ne gyakoroljon túl nagy nyomást a gépre; hagyja, hogy a gép dolgozzon ön helyett

## HASZNÁLAT

- Mindig a megfelelő biteket használja ⑭
- ! csak éles bitet használjon**
- Fémekben történő fúráskor
  - készítsünk kisméretű előfuratot
  - kenje időnként olajjal a fúróhegyet
- Csavarok faanyag végébe vagy szálirányába történő behajtása előtt készítsen előfuratot

- Az eszköz optimális használatához a csavarra állandó nyomást kell gyakorolni, különösen ha kicsavarjuk
- Ha keményfába csavarozunk, szükséges előfuratot készíteni
- Forgácsmentes fúrás fába ⑩
- Pormentes fúrás falba ⑩
- Pormentes fúrás plafonba ⑩
- Burkolólapok fúrása megcsúszás nélkül ⑩
- A további információkért lásd a [www.skil.com](http://www.skil.com) oldalt

## KARBANTARTÁS / SZERVIZ

- Ez a szerszám nem professzionális használatra készült
- Mindig tartsa tisztán a szerszámot (különös tekintettel a H ② szellőzőnyílásokra)
- **! tisztítás előtt vegye ki az akkumulátort**
- Ha a szerszám a gondos gyártási és ellenőrzési eljárás ellenére egyszer mégis meghibásodna, akkor a javítással csak SKIL elektromos kéziszerszám-műhely ügyfélszolgálatát szabad megbízni
  - megbontás nélküli állapotában küldje a szerszámot a vásárlást bizonyító számlával együtt a márkakereskedő vagy a legközelebbi SKIL szervizállomás címére (a címlista és a gép szervizdiagramja a [www.skil.com](http://www.skil.com) címen található)
- Vegye figyelembe, hogy a szerszám túlterheléséből vagy helytelen kezeléséből eredő károk nem tartoznak a garancia hatálya alá (a SKIL garanciális feltételeit elolvashatja a [www.skil.com](http://www.skil.com) oldalon, vagy kérdezze meg kereskedőjét)

## KÖRNYEZET

- **Az elektromos szerszámokat, akkumulátorokat, tartozékokat és csomagolást ne tegye a háztartási hulladékok közé** (csak EU-országok számára)
  - az elektromos és elektronikus berendezések hulladékairól szóló 2012/19/EK európai irányelv és annak a nemzeti joggal összhangban történő végrehajtása értelmében az elhasználottnak elektromos szerszámokat külön kell gyűjteni, és környezetbarát módon újra kell hasznosítani
  - erre emlékeztet a ⑥ jelzés, amennyiben felmerül az intézkedésre való igény
- **! ártalmatlanítás előtt erős szigetelőszalaggal védje az akkumulátor kapcsait a rövidzárlat elkerülése érdekében**

## ZAJ / REZGÉS

- Az EN 62841 szabványnak megfelelően végzett mérés szerint a szerszám hangnyomásszintje 90 dB(A), a hangteljesítményszintje 98 dB(A) (bizonytalanság K = 5 dB), a rezgés pedig \* (háromtengelyű vektor összege; bizonytalanság K = 1,5 m/s<sup>2</sup>)
  - \* fém fúrásakor 12,41 m/s<sup>2</sup>
  - \* beton ütvefúrásakor 14,49 m/s<sup>2</sup>
- A rezgés kibocsátási szint mérése az EN 62841 szabványosított vizsgálat szerint történt; ez az érték felhasználható egy szerszám és egy másik szerszám összehasonlítására, valamint a rezgésnek való kitettség előzetes értékelésére, amikor a szerszámot az említett alkalmazásokhoz használják
  - a szerszám különböző alkalmazásokhoz való használata, vagy más vagy rosszul karbantartott

tartozékokkal történő használata jelentősen

- **megnövelheti** a kitettség szintjét
- azok az idők, amikor a szerszám ki van kapcsolva, vagy működik ugyan, de valójában nem végez munkát, jelentős mértékben **csökkenthetik** a kitettség szintjét
- **! védekezzen a rezgés hatása ellen a szerszám és tartozékai karbantartásával, a kezek melegen tartásával és a munkamódszerek megszervezésével**

CZ

## Bezkontaktní přiklepová vrtačka 3021

### ÚVOD

- Tento nástroj je určen pro utahování a povolování šroubů, dále pro vrtání do dřeva, keramiky a plastu a pro přiklepové vrtání do cihel.
- Tento nástroj není určen k profesionálnímu použití.
- Tento návod s pokyny si pečlivě přečtěte a uschovejte. ③

### TECHNICKÉ ÚDAJE ①

Max. krouticí moment silný šroubový spoj podle ISO 5393: 55 Nm

### SOUČÁSTI NÁŘADÍ ②

- A Hlavní vypínač a regulace rychlosti
- B Regulator pro nastavení kroutícího momentu
- C Poloha při přiklepovém vrtání
- D Poloha při vrtání
- E Poloha šroubováku
- F Spínač pro funkci výměny
- G Spínač na volbu mechanické rychlosti
- H Větrací šterbiny
- J Spínač na změnu směru otáček
- K PRACOVNÍ SVĚTLO
- L Sklíčidlo
- M Tlačítko indikátoru nabíje akumulátoru
- N Oboustranný bit

### BEZPEČNOST

#### OBCENÁ BEZPEČNOSTNÍ VAROVÁNÍ PRO PRÁCI S ELEKTRICKÝM NÁŘADÍM

**! VAROVÁNÍ** Prostudujte si všechny bezpečnostní výstrahy, pokyny, ilustrace a technické údaje dodané s tímto elektrickým nářadím. Nedodržení všech níže uvedených pokynů může vést k úrazu elektrickým proudem, požáru a/nebo vážnému úrazu.

**Všechna varování a pokyny uschovejte pro budoucí použití.**

Termín „elektrické nářadí“ ve varováních odkazuje na vaše elektrické nářadí (s kabelem) nebo akumulátorové nářadí (bez kabelu).

#### 1) BEZPEČNOST NA PRACOVIŠTI

- a) **Udržujte pracovní prostor v čistotě a dobře osvětlený.** Nepořádek nebo neosvětlené pracovní oblasti bývají příčinou úrazů.
  - b) **Nepracujte s elektrickým nářadím ve výbušném prostředí, například v přítomnosti hořlavých kapalin, plynů nebo prachu.** Elektrické nářadí je zdrojem jiskření, které může zapálit prach nebo výparu.
  - c) **Při práci s elektrickým nářadím udržujte děti a přihlízející osoby v bezpečné vzdálenosti.** Nesoustředěnost může způsobit ztrátu kontroly.
- 2) ELEKTRICKÁ BEZPEČNOST**
- a) **Zástrčky elektrického nářadí musí odpovídat zásuvkám. V žádném případě nikdy neupravujte zástrčku. S uzemněným elektrickým nářadím nepoužívejte žádné rozbočovací zásuvky.** Neupravené zástrčky a shodné zásuvky snižují riziko úrazu elektrickým proudem.
  - b) **Zabraňte kontaktu těla s uzemněnými povrchy, jako jsou potrubí, radiátory, sporáky a ledničky.** Existuje zvýšené riziko úrazu elektrickým proudem, pokud je vaše tělo uzemněno.
  - c) **Nevystavujte elektrické nářadí dešti nebo vlhkému prostředí.** Vniknutí vody do elektrického nářadí zvyšuje riziko úrazu elektrickým proudem.
  - d) **Nezatěžujte kabel. Nikdy nepoužívejte napájecí kabel k přenášení nářadí, tahání nebo vytahování zástrčky ze zásuvky. Udržujte kabel daleko od tepla, oleje, ostrých hran nebo pohyblivých částí.** Poškozené nebo spletené kabely zvyšují riziko úrazu elektrickým proudem.
  - e) **Při práci s nářadím venku používejte prodlužovací kabel vhodný pro venkovní použití.** Použití kabelu vhodného pro venkovní použití snižuje riziko úrazu elektrickým proudem.
  - f) **Pokud musíte s elektrickým nářadím pracovat ve vlhkém prostředí, použijte napájení s ochranou proti zbytkovému proudu (RCD).** Použití RCD snižuje riziko úrazu elektrickým proudem.
- 3) BEZPEČNOST OSOB**
- a) **Při práci s elektrickým nářadím buďte stále pozorní, sledujte, co děláte a používejte zdravý rozum.** Nepoužívejte elektrické nářadí, jste-li unavení nebo pod vlivem drog, alkoholu nebo léků. Chvilka nepozornosti při práci s nářadím může vést k vážnému zranění.
  - b) **Používejte osobní ochranné pracovní prostředky. Vždy používejte ochranu očí. Ochranné pomůcky, jako např. respirátor, protiskluzová bezpečnostní obuv, pevná přilba nebo chrániče sluchu používané ve vhodném prostředí sniží riziko úrazu.**
  - c) **Zabraňte náhodnému spuštění. Před připojením ke zdroji napětí a/nebo akumulátoru, zvedáním nebo přenášením nářadí se ujistěte, že vypínač je ve vypnuté poloze.** Přenášení nářadí s prstem na hlavním spínači nebo zapojení nářadí, které má spínač v zapnuté poloze, může způsobit nehody.
  - d) **Před zapnutím elektrického nářadí odstraňte seřizovací klíče nebo klíče.** Nástroj nebo klíč, který zůstane upevněn k otáčející se části elektrického nářadí, může způsobit osobní zranění.
  - e) **Nepřeceňujte své síly. Vždy udržujte pevný postoj a rovnováhu.** To umožní lepší ovládnání elektrického nářadí v nečekaných situacích.
  - f) **Používejte vhodný oděv. Nenoste volný oděv ani**

- šperky. Udržujte své vlasy a oblečení mimo dosah pohyblivých se částí.** Volný oděv, šperky nebo dlouhé vlasy se mohou zachytit do pohyblivých se částí.
- g) Pokud je zařízení vybaveno adaptérem pro připojení odsávání prachu a sběrnými zařízeními, zajistěte jejich správné připojení a řádnou funkci.** Použití odsávání prachu může snížit nebezpečí týkající se prachu.
- h) **Nedovoľte, abyste se po získání zkušeností častým používáním nástrojů stali neobezřetnými a ignorovali zásady bezpečnosti.** Nedbalá činnost může způsobit vážné zranění za zlomek sekundy.
- 4) POUŽITÍ A PÉČE O ELEKTRICKÉ NÁŘADÍ**
- a) **Netlačte příliš na nářadí. Používejte správný typ nářadí pro vaše použití.** Správné elektrické nářadí bude pracovat lépe a bezpečněji rychleji, pro kterou bylo navrženo.
  - b) **Nepoužívejte elektrické nářadí v případě, že vypínač nefunguje.** Jakékoliv elektrické nářadí, které nelze ovládat vypínačem, je nebezpečné a musí se opravit.
  - c) **Před jakýmkoliv seřizováním, výměnou příslušenství nebo před uložením nepoužívaného elektrického nářadí odpojte napájení nebo akumulátor, jde-li to provést.** Tato preventivní bezpečnostní opatření snižují riziko náhodného spuštění elektrického nářadí.
  - d) **Nepoužívané elektrické nářadí uchovávejte mimo dosah dětí a nenechte s elektrickým nářadím pracovat osoby, které se neseznámily s elektrickým nářadím nebo těmito pokyny.** Elektrické nářadí je v rukou nekalifikované obsluhy nebezpečné.
  - e) **Udržujte elektrické nářadí a příslušenství. Zkontrolujte vychýlení či zaseknutí pohyblivých částí, poškození jednotlivých dílů a jiné okolnosti, které mohou ovlivnit chod nářadí. Je-li nářadí poškozeno, nechejte ho před použitím opravit.** Mnoho nehod je způsobeno nedostatečnou údržbou nářadí.
  - f) **Udržujte řezné nástroje ostré a čisté.** Řádně udržované řezné nástroje s ostrými řeznými hranami nemají tendenci se ohýbat a lépe se ovládají.
  - g) **Používejte elektrické nářadí, příslušenství a nástrojové bity atd. v souladu s těmito pokyny s přihlédnutím k pracovním podmínkám a práci, která má být provedena.** Používání elektrického nářadí k činnostem, pro které není určeno, může vést k nebezpečným situacím.
  - h) **Udržujte rukojeti a uchopovací plochy suché, čisté, bez oleje a maziva.** Kluzké rukojeti a plochy pro uchopení neumožňují bezpečnou manipulaci s nářadím a jeho ovládnání v nečekaných situacích.
- 5) POUŽITÍ A PÉČE O AKUMULÁTOROVÉ NÁŘADÍ**
- a) **K nabití používejte pouze nabíječku doporučenou výrobcem.** Nabíječka vhodná pro jeden typ akumulátoru může způsobit riziko požáru při použití s jiným akumulátorem.
  - b) **Používejte elektrické nářadí pouze se specifikovanými akumulátory.** Použití jiných akumulátorů může způsobit riziko úrazu a požáru.
  - c) **Pokud akumulátor nepoužíváte, držte jej z dosahu kovových předmětů, jako jsou kancelářské sponky na papír, mince, klíče, hřebíky, šroubky nebo další drobné kovové předměty, které mohou propojit**



kontakty baterie. Zkratování kontaktů baterie může způsobit spalení nebo požár.

- d) **V nevhodných podmínkách může kapalina unikat z baterie. Zabraňte kontaktu. Při náhodném kontaktu opláchněte vodou. Při zasažení očí kapalinou vyhledejte lékařskou pomoc.** Unikající kapalina z akumulátoru může způsobit podráždění pokožky nebo popálení.
- e) **Nepoužívejte akumulátor nebo nástroj, který je poškozen nebo upraven.** Poškozené nebo upravené baterie mohou mít nepředvídatelné chování, které může vést k požáru, výbuchu nebo nebezpečí zranění.
- f) **Nevystavujte akumulátor ani nářadí ohni nebo příliš vysoké teplotě.** Při vystavení ohni nebo teplotě nad 130 °C může dojít k výbuchu.
- g) **Dodržujte všechny pokyny pro nabíjení a nenabíjejte baterii nebo nářadí mimo rozsah teplot uvedených v pokynech.** Nesprávné nabíjení nebo nabíjení při teplotách mimo stanovený rozsah může poškodit akumulátor a zvýšit riziko požáru.
- 6) **SERVIS**
  - a) **Svěřte opravu vašeho elektrického nářadí kvalifikované osobě používající pouze shodné náhradní díly.** Tím zajistíte bezpečnost elektrického nářadí.
  - b) **Nikdy neopravujte poškozené akumulátory.** Servis akumulátorů může provádět pouze výrobce nebo autorizovaní poskytovatelé služeb.

## BEZPEČNOSTNÍ POKYNY PRO AKUMULÁTOROVOU PŘÍKLEPOVOU VRTAČKU

- 1) **BEZPEČNOSTNÍ PŘEDPISY PRO VEŠKERÉ ČINNOSTI**
  - a) **Při práci s příklepovou vrtačkou chraňte svůj sluch.** Působení hluku může způsobit ztrátu sluchu.
  - b) **Elektrické nářadí držte pouze za izolované části rukojetí, protože se pilové čepele nebo upevňovací prvek mohou dostat do kontaktu se skrytým vedením.** Kontakt s vedením pod napětím může přivést napětí i na kovové díly elektronářadí a vést k úderu elektrickým proudem.
- 2) **BEZPEČNOSTNÍ PŘEDPISY PRO POUŽÍVÁNÍ DLOUHÝCH VRTÁKŮ**
  - a) **Nikdy nepoužívejte vrták při vyšších než maximálních otáčkách vrtáku.** Kdyby se vrták při vyšších otáčkách volně otáčel, aniž by byl v kontaktu s vrtaným materiálem, mohl by se ohnout a někoho zranit.
  - b) **Při nejdříve začněte vrtat při nižších otáčkách a s vrtákem v kontaktu s vrtaným materiálem.** Kdyby se vrták při vyšších otáčkách volně otáčel, aniž by byl v kontaktu s vrtaným materiálem, mohl by se ohnout a někoho zranit.
  - c) **Tlačte na nástroj pouze v přímé linii s vrtákem a netlačte příliš.** Vrtáky by se mohly ohnout, zlomit nebo vypadnout, což by mohlo vést ke zranění.

## OBCENĚ

- Prach z materiálů, jako jsou barvy obsahující olovo, některé druhy dřeva, minerály a kovy, může být škodlivý (kontakt s prachem nebo jeho vdechnutí může způsobit alergickou reakci a/nebo vyvolat respirační choroby u obsluhy nebo přihlížejících); **používejte protiprachovou masku a pracujte se zařízením na odsávání prachu,**

## pokud je možné jej připojit

- Některé druhy prachu jsou klasifikovány jako karcinogenní (například dubový a bukový prach) zejména ve spojení s aditivy pro úpravu dřeva; **používejte protiprachovou masku a pracujte se zařízením na odsávání prachu, pokud je možné jej připojit**
- Dodržujte stanovená nařízení pro práci v prašném prostředí
- **Nepracovávají žádný materiál obsahující azbest** (azbest je považován za karcinogenní)
- Zabezpečte, aby při přenášení nebo odložení stroje byl vypínač J(2) v pozici uprostřed (zablokovaná), než provedete seřízení stroje nebo výměnu příslušenství

## PŘÍSLUŠENSTVÍ

- SKIL zajistí bezvadnou funkci nářadí pouze tehdy, používáte-li původní značkové
- Používejte pouze příslušenství, jejichž dovolené otáčky jsou alespoň tak vysoké jako nejvyšší otáčky stroje naprázdno

## PŘED POUŽITÍM

- Vrtačku nepoužívejte je-li navlhla a npracujte v blízkosti snadno zápalných nebo výbušných materiálů; před zahájením práce je odstraňte
- **Zajistěte obráběný díl** (obráběný díl uchycený pomocí upínacích zařízení nebo ve svěráku je mnohem bezpečnější než v ruce)
- **Použijte vhodné hledací přístroje k vyhledání skrytých přírodních vedení nebo přivězte místní dodavatelskou společnost** (kontakt s elektrickým vedením může vést k požáru a elektrickému úderu; poškození plynového vedení může vést k explozi; proniknutí do vodovodního potrubí může způsobit věcné škody nebo elektrický úder)

## AKUMULÁTORY

- **Dodaný akumulátor je případně částečně nabitý** (v zájmu zajištění maximální kapacity akumulátoru jej před prvním použitím vašeho elektrického nářadí úplně dobijte v nabíječce)
- **Používejte pouze následující akumulátory a nabíječky dodávané s tímto nástrojem**
  - Akumulátor SKIL: BR1\*31\*\*\*\*
  - Nabíječka SKIL: CR1\*31\*\*\*\*
- Poškozený akumulátor nepoužívejte, nahraďte jej novým
- Akumulátor nerozebírejte
- Nevystavujte nástroj/akumulátor dešti
- Povolená teplota prostředí (nářadí/nabíječka/akumulátor):
- při nabíjení 4 až 40 °C
- při provozu - 20 až + 50 °C
- při skladování - 20 až + 50 °C

## VYSVĚTLENÍ SYMBOLŮ NA NÁSTROJI/BATERII

- ③ Před použitím si přečtěte návod k použití
- ④ Akumulátory při vhození do ohně explodují, proto je nikdy nevhazujte do otevřeného plamene
- ⑤ Nářadí/nabíječku/akumulátor ukládejte na vhodné, suché a zajištěné místo, v prostorách s teplotou maximálně 50 °C
- ⑥ Nevyhazujte elektrické nářadí a akumulátory do komunálního odpadu

## OBSLUHA

- Kombinovaný hlavní vypínač a ovládání rychlosti A ②
  - při větším či menším tlaku na spínač, lze měnit plynule otáčky
- Nabíjení akumulátorů

**! přečtěte si bezpečnostní upozornění a pokyny,**

- které byly dodány spolu s nabíječkou
- Odstanění/instalace akumulátoru ②
- Kontrolka nabití akumulátoru ⑦
  - stisknete tlačítko indikátoru akumulátoru M, aby ukázalo aktuální úroveň nabití ⑦a
  - ! na nejvyšší úrovni nabití začne kontrolka nabití po stisknutí tlačítka M ⑦b blikat, akumulátor je vybitý
  - ! když po stisknutí tlačítka M ⑦c začnou blikat 2 pole ukazatele, znamená to, že se akumulátor nachází mimo povolený rozsah pracovní teploty
- Změna směru otáček ⑧
  - jestliže poloha doleva/doprava správně nezapadne, není možno zapnout vypínač A ②
  - ! směr otáček se smí změnit pouze je-li nástroj zcela zastaven
- Výměna bitů ⑨
  - ! nepoužívejte hroty s poškozeným dřikem
- Ovládání krouticího momentu (VariTorque) ⑩
  - krouticí moment se zvyšuje otáčením stupnice B od 1 do 17
  - při vyšroubování začnete nejdříve s pozicí 1 VariTorque a zvyšujete po dosažení žádané hloubky
  - v pozici D je spojka zamčená pro těžké vrtání (bez přiklepu) a šroubování
  - v pozici C je spojka zamčená pouze pro přiklepové vrtání
  - ! dbejte na to, aby přepínač volby převodu G byl v poloze 2, když je přepínač funkce F v poloze pro přiklepové vrtání
  - ! polohu pro přiklepové vrtání C nepoužívejte pro vrtání do dřeva, kovu, keramiky a plastu, abyste předešli poškození vrtáku/šroubu
- Mechanická volba převodu ⑪
  - přepínačem G nastavte požadovanou rychlost
  - ! nastavujte volbu převodu, zatímco nástroj běží pomalu
- 1
  - nízká rychlost
  - vysoký točivý moment
  - k šroubování a vrtání velkého průměru
  - k řezání vnitřního závitu
- 2
  - vysoká rychlost
  - nejvyšší točivý moment
  - k přiklepovému vrtání
  - k vrtání menších průměrů
- PRACOVNÍ světlo K ⑫
  - Po zapnutí nářadí se rozsvítí PRACOVNÍ SVĚTLO K.
  - ! když PRACOVNÍ SVĚTLO začne blikat, aktivuje se ochrana akumulátoru (viz níže)
- Ochrana akumulátoru
  - Nářadí se najednou vypne nebo mu je zabráněno v zapnutí, když
  - je zátěž příliš vysoká -> odstraňte zátěž a proveďte restart
  - teplota akumulátoru není v rozsahu přípustných provozních teplot - 20 až + 50 ° C --> 2 úrovně kontrolky nabití akumulátoru začnou blikat po stisknutí tlačítka M ⑦c; počkejte, dokud se akumulátor nevrátí do rozsahu přípustných provozních teplot
  - akumulátor je téměř vybitý (ochrana před přílišným vybitím) --> při stisknutí tlačítka M indikátor akumulátoru zobrazí nízkou úroveň baterie nebo

blikající nízkou úroveň akumulátoru ⑦b; vyměňte akumulátor

! po automatickém vypnutí nástroje netiskněte vypínač; mohlo by dojít k poškození akumulátoru

- Držení a vedení nástroje ⑬
  - ! při práci vždy držte nářadí za šedě zbarvenou oblast rukojeti
  - udržujte větrací štěrby H ② nezakryté
  - na přístroj příliš netlačte; nechte jej, aby pracoval za vás

## NÁVOD K POUŽITÍ

- Použijte správné hroty ⑭
  - ! používejte pouze ostré hroty
- Při vrtání v kovu
  - předvrtejte napřed malý otvor
  - vrták při práci občas naolejujte
- Při zašroubování šroubu na konci nebo na začátku nějakého dřeva by měla být předvrtána díra, aby se zamezilo rozštípnutí dřeva
- Pro optimální využití přístroje je nutno zvolit odpovídající tlak na šroub, zvláště při vyšroubování
- Při šroubování do tvrdého dřeva, je nutno díru předvrtat
- Vrtání dřeva bez vzniku třísek ⑮
- Bezprašné vrtání zdi ⑯
- Bezprašné vrtání do stropů ⑰
- Vrtání dlaždic bez skluzu ⑱
- Další informace najdete na [www.skil.com](http://www.skil.com)

## ÚDRŽBA / SERVIS

- Tento nástroj není určen k profesionálnímu použití
- Nástroj udržujte vždy čistý (zejména větrací štěrby H ②)
  - ! před montáží vyjměte z nářadí akumulátor
- Pokud dojde i přes pečlivou výrobu a náročné kontroly k poruše nástroje, světe provedení opravy autorizovanému servisnímu středisku pro elektronářadí firmy SKIL
  - zašlete nástroj nerozebraný spolu s potvrzením o nákupu do vaší prodejny nebo nejbližšímu servisu značky SKIL (adresy a servisní schéma nástroje najdete na [www.skil.com](http://www.skil.com))
- Uvědomte si, že na poškození způsobené přetížením nebo nesprávným zacházením se nevztahuje záruka (záruční podmínky společnosti SKIL najdete na adrese [www.skil.com](http://www.skil.com) nebo se obraťte na prodejce)

## ŽIVOTNÍ PROSTŘEDÍ

- Elektrické nářadí, baterie, doplňky a balení **nevyhazujte do komunálního odpadu** (jen pro státy EU)
  - podle evropské směrnice 2012/19/ES o nakládání s použitými elektrickými a elektronickými zařízeními a odpovídajících ustanovení právních předpisů jednotlivých zemí se použítá elektrická nářadí, musí sbírat odděleně od ostatního odpadu a podrobit ekologicky šetrnému recyklování
  - na nutnost příslušného nakládání s odpadem upozorňuje symbol ⑥
  - ! u vyřazených akumulátorů zakryjte kontakty izolační páskou, zabráníte tím plazivým proudům

## HLUČNOSTI / VIBRACÍ

- Při měření v souladu s normou EN 62841 je hladina

akustického tlaku tohoto nářadí 90 dB(A) a hladina akustického výkonu 98 dB(A) (nepřesnost K = 5 dB) a vibrace \*(celkové hodnoty vibrací; nepřesnost K = 1,5 m/s<sup>2</sup>)

\* při vrtání do kovu 12,41 m/s<sup>2</sup>

\* při přiklepovém vrtání do betonu 14,49 m/s<sup>2</sup>

- Úroveň vibrací byla měřena v souladu se standardizovaným testem podle EN 62841; je možné ji použít ke srovnání jednoho přístroje s druhým a jako předběžné posouzení vystavování se vibracím při používání přístroje k uvedeným aplikacím
    - používání nářadí k jiným aplikacím nebo s jiným či špatně udržovaným příslušenstvím může zásadně **zvýšit** úroveň vystavení se vibracím
    - doba, kdy je nářadí vypnuté, nebo když běží, ale ve skutečnosti není používáno, může zásadně **snížit** úroveň vystavení se vibracím
- ! chraňte se před následky vibrací tak, že budete dbát na údržbu přístroje a příslušenství, budete si udržovat teplé ruce a uspořádáte si své pracovní postupy**

TR

## Firčasız darbeli matkap

3021

### GİRİŞ

- Bu alet, vidalari sıkıp gevşetmek ve ayrıca ahşap, seramik ve plastikte delme ve tuğlada darbeli delme için tasarlanmıştır.
- Bu alet profesyonel kullanıma yönelik değildir.
- Bu kullanım klavuzunu okuyun ve saklayın.③

### TEKNİK VERİLER ①

ISO 5393'e göre sert vidalamada maksimum tork: 55 Nm

### ALETİN PARÇALARI ②

- A Açma/kapatma ve hız kontrol düğmesi
- B Tork kontrol halkası
- C Darbeli delme konumu
- D Delme konumu
- E Vidalama konumu
- F Değiştirme işlevi anahtarı
- G Devir seçici
- H Havalandırma delikleri
- J Dönüş yönü değiştirme düğmesi
- K ÇALIŞMA İŞİĞİ
- L Mandren
- M Akü seviyesi göstergesi düğmesi
- N İki taraflı uç

### GÜVENLİK

#### ELEKTRİKLİ ALETLER İÇİN GENEL GÜVENLİK UYARILARI

**⚠ UYARI** Bu elektrikli alet ile birlikte verilen tüm güvenlik uyarılarını, talimatları, çizimleri ve teknik özellikleri okuyun. Aşağıdaki talimatların tamamına uyulmaması elektrik çarpması, yangın ve/veya ciddi yaralanma ile sonuçlanabilir.

#### Tüm uyarı ve talimatları gelecekte başvuru amacıyla muhafaza edin.

Uyarılarda geçen "elektrikli alet" terimi ile elektrik prizinden beslenen (kablolu) elektrikli alet veya şarjlı (kablesuz) elektrikli alet kastedilmektedir.

#### 1) ÇALIŞMA ALANI GÜVENLİĞİ

- Çalışma alanını temiz tutun ve yeterli aydınlatma sağlayın.** Karışık veya karanlık alanlar kazalara yol açar.
- Elektrikli aletleri yanıcı sıvı, gaz veya toz içeren patlayıcı ortamlarda çalıştırmayın.** Elektrikli aletlerden çıkan kıvılcımlar toz veya gazları tutuşturabilir.
- Bir elektrikli aleti kullanırken çocukların ve etraftaki kişilerin aletten uzakta olduğundan emin olun.** Dikkatinizin dağılması kontrolü kaybetmenize neden olabilir.

#### 2) ELEKTRİK GÜVENLİĞİ

- Elektrikli aletin fişi prize uygun olmalıdır. Fiş üzerinde asla değişiklik yapmayın. Topraklı (topraklamalı) elektrikli aletler için herhangi bir adaptör fişi kullanmayın.** Üzerinde değişiklik yapılmış fişler ve uygun prizler elektrik çarpması riskini azaltır.
  - Borular, radyatörler, fırınlar ve buzdolapları gibi topraklanmış yüzeylerle temastan kaçının.** Topraklanmış yerlerle temas etmeniz halinde elektrik çarpması riski artar.
  - Elektrikli aletleri yağmura veya ıslak ortamlara maruz bırakmayın.** Elektrikli alet içine giren su, elektrik çarpması riskini artırır.
  - Kablolu hatalı kullanmayın. Kablolu elektrikli aleti taşımak, çekmek veya prizden çıkarmak için kullanmayın. Kablolu sıcaktan, yağdan, keskin kenarlardan veya hareketli parçalardan uzak tutun.** Hasarlı veya birbirine dolaşmış kablolar elektrik çarpması riskini artırır.
  - Bir elektrikli aleti açık havada kullanırken, uygun bir dış mekan uzatma kablosu kullanın.** Dış mekan için uygun bir kablolu kullanılması elektrik çarpması riskini azaltır.
  - Elektrikli aletin nemli bir yerde çalıştırılması gerekiyorsa kaçak akım rölesi (RCD) korumalı bir kaynak kullanın.** RCD (kaçak akım rölesi) kullanımı elektrik çarpması riskini azaltır.
- #### 3) KİŞİSEL GÜVENLİK
- Elektrikli aletleri kullanırken daima dikkatli olun, yaptığınız işe yoğunlaşın ve sağlıklı davranın.** Elektrikli aleti yorgunken ya da uyuşturucu, alkol ya da ilaç etkisi altındayken kullanmayın. Elektrikli aletleri kullanırken bir anlık dikkatsizlik ciddi yaralanmalara yol açabilir.
  - Kişisel koruyucu ekipman kullanın. Daima koruyucu gözlük takın.** Koşullara uygun toz maskesi, kaymaz emniyet ayakkabıları, kask veya işitme koruması gibi koruyucu ekipman kullanılması yaralanmalara azaltır.
  - Yanlışlıkla çalıştırmaktan kaçının. Aletin güç kaynağı ve/veya batarya ile bağlantısını yapmadan, kaldırmadan veya şarjı olmadan önce açma/kapatma düğmesinin kapalı olduğundan emin olun.** Elektrikli aletleri, parmağınız açma/kapatma düğmesinin üzerindeki taşımak veya alet açıkken fişi prize takmak kazalara davetiye çıkarır.

- d) Elektrikli alete takılı herhangi bir alyan veya anahtar varsa aleti çalıştırmadan önce bunları çıkarın. Elektrikli aletin döner parçalarına takılı bir alyan veya anahtar yaralanmalara neden olabilir.
- e) Dengesiz bir duruşta çalışma yapmayın. Çalışma süresince ayaklarınızı sağlam basın ve dengeyi koruyun. Bu sayede beklenmedik durumlarda elektrikli alet daha iyi kontrol edilebilir.
- f) Uygun bir şekilde giyinin. Bol giysiler giymeyin veya takı takmayın. Saçlarınızı ve elbiselerinizi hareketli parçalardan uzak tutun. Bol giysiler, takılar veya uzun saçlar hareketli parçalara takılabilir.
- g) Toz emme ve toplama araçlarının bağlantısı için sağlanan cihazlar varsa bunların takılı olduğundan ve düzgün bir biçimde kullanıldığınından emin olun. Toz toplama araçlarının kullanımı tozdan kaynaklanabilecek tehlikeleri azaltabilir.
- h) Aletleri sık kullanarak edindiğiniz alışkanlık rahat olmanıza ve aletin güvenlik ilkelerini göz ardı etmenize neden olmamalıdır. Dikkatsiz bir hareket, bir saniyeden daha kısa bir sürede ağır yaralanmalara neden olabilir.
- 4) ELEKTRİKLİ ALET KULLANIMI VE BAKIMI
- a) Elektrikli aleti zorlamayın. Yaptığınız işe uygun elektrikli aleti kullanın. Doğru elektrikli alet, tasarımına uygun değerlerde kullanıldığında daha iyi ve daha güvenli çalışır.
- b) Açma/kapatma düğmesi çalışmıyorsa elektrikli aleti kullanmayın. Açma/kapatma düğmesi ile kontrol edilemeyen bir elektrikli alet tehlikelidir ve onarılması gerekir.
- c) Herhangi bir ayar işlemi, aksesuar değişimi veya elektrikli aletlerin saklanması öncesinde fişi prizden çekin ve/veya eğer çıkarılabiliyorsa bataryayı elektrikli aletten çıkarın. Bu tür önleyici güvenlik önlemleri, elektrikli aletin yanlışlıkla çalışması riskini azaltır.
- d) Kullanılmayan elektrikli aletleri çocukların erişemeyeceği yerlerde saklayın ve elektrikli alet veya bu talimatlar hakkında bilgi sahibi olmayan kişilerin elektrikli aleti kullanmasına izin vermeyin. Elektrikli aletler eğitimsiz kullanıcıların elinde tehlikelidir.
- e) Elektrikli aletlere ve aksesuarlara bakım yapın. Hareketli parçaların hizalanmasının veya bağlanmasının doğru yapıp yapılmadığını, parçalarda hasar olup olmadığını ve elektrikli aletin çalışmasını etkileyebilecek tüm diğer koşulları kontrol edin. Elektrikli alet hasarlı ise kullanmadan önce onarılmasını sağlayın. Kazaların çoğu, elektrikli alet bakımının yeterli şekilde yapılmasından kaynaklanır.
- f) Kesici aletleri keskin ve temiz tutun. Keskin kesim kenarlarına sahip, bakımı düzgün yapılmış kesim aletleri daha az sorun çıkarır ve kontrolü kolaydır.
- g) Elektrikli aleti, aksesuarlarını ve alet uçlarını vb. çalışma şartlarını ve yapılacak işi dikkate alarak bu talimatlara uygun şekilde kullanın. Elektrikli aletin kullanım amacı dışındaki işlerde kullanılması tehlikeli durumlara neden olabilir.
- h) Tutma saplarını ve kavrama yüzeylerini kuru, temiz, benzin ve yağdan uzak tutun. Kaygan saplar ve kavrama yüzeyleri, aletin beklenmeyen durumlarda güvenli bir şekilde tutulmasına ve kontrol edilmesine izin

vermez.

- 5) BATERYA İLE ÇALIŞAN ALETLERİNİN KULLANIMI VE BAKIMI
- a) Sadece üretici tarafından belirtilen şarj cihazı ile şarj edin. Bir batarya türü için uygun olan şarj cihazı, başka bir batarya ile kullanıldığında yangın riski oluşturabilir.
- b) Elektrikli aletleri sadece özel olarak üretilmiş bataryalarla kullanın. Başka batarya türlerinin kullanımı yaralanma ve yangın tehlikesi oluşturabilir.
- c) Bataryanın kullanımda olmadığı durumlarda bataryayı ataş, bozuk para, anahtar, çivi, vida veya batarya kutupları arasında kısa devre yapabilecek diğer metal nesnelere uzak tutun. Batarya kutuplarının kısa devre yapılması yangın veya yanıklara neden olabilir.
- d) Kötü şartlar altında bataryadan sıvı akışı olabilir; bu sıvı ile temas etmekten kaçının. Yanlışlıkla temas edilirse etkilenen bölgeyi su ile yıkayın. Sıvı göze temas ederse ayrıca tıbbi yardım alın. Bataryadan akan sıvı tahriş veya yanıklara neden olabilir.
- e) Hasarlı veya üzerinde değişiklik yapılmış bir bataryayı veya aleti kullanmayın. Hasarlı veya üzerinde değişiklik yapılmış bataryalar yangın, patlama veya yaralanma riskine neden olacak şekilde beklenmeyen davranışlar gösterebilir.
- f) Bataryayı veya aleti ateşe veya aşırı sıcaklıklara maruz bırakmayın. Ateşe veya 130 °C'nin üzerindeki sıcaklıklara maruz kalması patlamaya neden olabilir.
- g) Tüm şarj talimatlarına uyun ve bataryayı veya aleti talimatlarda belirtilen sıcaklık aralığının dışındaki sıcaklıklarda şarj etmeyin. Hatalı veya belirtilen sıcaklık aralığının dışındaki sıcaklıklarda şarj etmek, bataryaya zarar verebilir ve yangın riskini artırır.
- 6) SERVİS
- a) Elektrikli aletinizin bakımını, sadece orijinal yedek parça kullanan yetkili bir tamirciye yaptırın. Bu sayede elektrikli aletin emniyetinin korunmasını sağlanır.
- b) Asla hasarlı bataryalara bakım-onarım yapmayın. Bataryaların bakımı sadece üretici veya yetkili servisler tarafından yapılmalıdır.

## KABLOSUZ DARBELİ MATKAPLAR İÇİN GÜVENLİK TALİMATLARI

- 1) TÛM İŞLEMLER İÇİN GÜVENLİK TALİMATLARI
- a) Darbeli delme yaparken koruyucu kulaklık takın. Gürültüye maruz kalmak işitme kaybına yol açabilir.
- b) Kesme aksesuarının veya bağlantı parçasının gizli kablolar ile temas edebileceği bir işlem gerçekleştirirken elektrikli aleti yalıtımlı kavrama yüzeylerinden tutun. "Akım taşıyan" bir tele temas eden kesim aksesuarı veya kilit, elektrikli aletin açıkta duran metal parçalarında da "akım dolaşmasına" ve operatörü elektrik çarpmasına neden olabilir.
- 2) UZUN MATKAP UÇLARI KULLANIMI İÇİN GÜVENLİK TALİMATLARI
- a) Asla matkap ucunun maksimum hız değerinden daha yüksek bir hızda çalıştırmayın. Yüksek hızlarda matkap ucunun iş parçasına temas etmeden serbestçe dönmesine izin verilirse uç bükülebilir ve yaralanmaya neden olabilir.
- b) Delmeye her zaman düşük hızda ve matkap ucu iş parçasıyla temas halindeyken başlayın. Yüksek

hızlarda matkap ucunun iş parçasına temas etmeden serbestçe dönmesine izin verilirse uç bükülebilir ve yaralanmaya neden olabilir.

- c) **Sadece matkap ucu ile aynı doğrultuda basınç uygulayın ve aşırı basınç uygulamayın.** Matkap uçları, kırılma veya kontrol kaybına neden olacak şekilde bükülebilir ve yaralanmaya neden olabilir.

#### GENEL

- Kurşun içeren boya, bazı ahşap türleri, mineral ve metal gibi malzemelerden çıkan toz zararlı olabilir (tozla temasta bulunulması veya solunması operatörde veya yakında bulunan kişilerde alerjik reaksiyonlara ve/veya solunum yolu hastalıklarına neden olabilir); **toz maskesi takın ve bağlanabiliyorsa bir toz çekme cihazıyla çalışın**
- Bazı toz tipleri (örneğin meşe ve kayın ağacı tozu), özellikle ahşap yenileme katkı maddeleriyle birlikte karsinojenik olarak sınıflandırılır; **toz maskesi takın ve bağlanabiliyorsa bir toz çekme cihazıyla çalışın**
- Çalışmak istediğiniz malzemeler için tozla ilgili ulusal gereksinimleri takip edin
- **Bu aletle asbest içeren malzemeleri işlemeyin** (asbest kanserojen bir madde kabul edilir)
- Herhangi bir aksesuar değişikliği yada ayarlama yapmadan önce veya cihazı taşırken yada saklarken, düğmenin (J ②) orta pozisyonda (kilit pozisyonu) olduğundan emin olun

#### AKSESUARLAR

- SKIL sadece orijinal aksesuarlar kullanıldığında aletin düzgün çalışmasını garanti eder
- Bu aletle kullanacağınız aksesuar, devir sayısı en azından aletin boşta ki en yüksek devir sayısı kadar olmalıdır

#### KULLANMADAN ÖNCE

- İş parçasının vida, çivi ve benzeri malzeme tarafından hasar görmemesi için dikkatli olun; çalışmaya başlamadan önce bunları çıkarın
- **Çalıştığınız parçayı sabitleyin** (kıskaçlarla ya da mengeneyle sabitlenmiş bir iş parçası elle tutulan iş parçasından daha güvenlidir)
- **Görünmeyen elektrik kablolarını belirlemek için uygun bir tarama cihazı kullanın veya yerel akım ikmal şirketlerinden yardım isteyin** (elektrik kablolarıyla temas, yangın çıkmasına veya elektrik çarpmalarına neden olabilir; bir gaz borusu hasar görürse patlama tehlikesi ortaya çıkar; bir su borusunun delinmesi halinde maddi hasarlar meydana gelebilir veya elektrik çarpması tehlikesi ortaya çıkabilir)

#### BATARYALAR

- **Ürünle birlikte verilen akü (varsa) kısmen şarj edilmiştir** (bataryanın tam kapasiteyle çalışmasını sağlamak için elektrikli aletinizi ilk kez kullanmadan önce bataryayı, batarya şarj cihazında tamamen şarj edin)
- **Bu aletle sadece aşağıdaki bataryaları ve şarj cihazlarını kullanın**
  - SKIL batarya: BR1\*31\*\*\*\*
  - SKIL şarj cihazı: CR1\*31\*\*\*\*
- Hasarlı bataryaları kullanmayın, hemen yenileyin
- Bataryayı parçalarına ayırmayın
- Aleti/bataryayı yağmura maruz bırakmayın
- İzin verilen ortam sıcaklığı (alet/şarj cihazı/batarya): şarj olurken 4 ile 40 °C arasında
- çalışırken -20 ile +50 °C arasında
- depolanırken -20 ile +50 °C arasında

#### ALET/BATARYA ÜZERİNDEKİ SİMGELEERİN AÇIKLAMASI

- ③ Kullanmadan önce kullanım kılavuzunu okuyun

- ④ Ateşe atılan bataryalar patlayabilir, bu yüzden hiçbir nedenle bir bataryayı yakmayın
- ⑤ Aleti, şarj cihazını ve bataryayı sıcaklığın 50 °C'yi aşmadığı yerlerde depolayın
- ⑥ Elektrikli aletleri ve bataryaları evsel atık malzemelerle birlikte çöpe atmayın

#### KULLANIM

- Açma/kapatma ve hız kontrol düğmesi (A ②)
  - tetiğe az veya çok basarak hız sıfırdan maksimuma kadar kademesiz olarak ayarlanabilir
- Bataryanın şarj edilmesi
  - ! **şarj cihazı ile birlikte verilen güvenlik uyarıları ve talimatlarını okuyun**
- Bataryanın çıkarılması/takılması ②
- Batarya seviyesi göstergesi ⑦
  - mevcut batarya seviyesini görmek için batarya seviyesi göstergesi düğmesine (M) ⑦a
  - ! **düğmeye (M) bastıktan sonra batarya göstergesinin en alt seviyesi (⑦b) yanıp sönmeye başladığında batarya boşalmıştır**
  - ! **düğmeye (M) bastıktan sonra batarya göstergesinin 2 seviyesi (⑦c) yanıp sönmeye başladığında batarya izin verilen çalışma sıcaklığı aralığında değildir**
- Dönme yönünün değiştirilmesi ⑧
  - sağ/sol konumları doğru olarak ayarlanmadığında düğme (A) ② etkinleştirilemez
  - ! **dönme yönünü sadece alet tamamen dururken değiştirin**
- Uçları değiştirme ⑨
  - ! **hasarlı uçları kullanmayın**
- Tork kontrolü (VariTorque) ⑩
  - kavrama halkası 1'den 17'ye doğru çevrildikçe tork artar - bir vidayı takarken önce VariTorque'u en 1. pozisyonu ile başlayın, daha sonra istediğiniz derinliğe ulaşıncaya kadar yavaş yavaş torku yükseltin
  - D konumu, kavramayı kilitleyerek (darbesiz) delmeye veya ağır işlerde vidalamaya izin verir
  - C konumu, yalnızca darbeli delmeye izin vermek için kavramayı kilitlet
  - ! **fonksiyon seçici (F) darbeli delme konumundayken devir seçicinin (G) 2 konumunda olduğundan emin olun**
  - ! **matkap/vida ucunun hasar görmesini önlemek için ahşap, metal, seramik ve plastikte delme işlemi için darbeli delme konumu C'yi kullanmayın**
- Mekanik devir seçimi ⑪
  - seçiciyi (G) istediğiniz hıza ayarlayın
  - ! **devir değiştirme işlemi alet yavaş çalışırken yapın**
- 1
  - düşük devir
  - yüksek tork
  - büyük çaplı vidalama ve delmeler için
  - diş açma için
- 2
  - yüksek devir
  - düşük tork
  - darbeli delmeler için
  - küçük çaplı delmeler için
- ÇALIŞMA İŞİĞİ (K) ⑫
  - Alet açıldığında ÇALIŞMA İŞİĞİ (K) yanar.

## ! ÇALIŞMA İŞİĞİ yanıp sönmeye başladığında akü koruması etkinleşir (aşağı bakın)

- Batarya koruması  
Aşağıdaki durumlarda alet aniden kapanır veya tekrar çalıştırılmaz  
- **yük çok fazla olduğunda** -> yükü kaldırın ve yeniden çalıştırın  
- **batarya sıcaklığı, -20 ile +50 °C arasındaki izin verilen çalışma sıcaklığı aralığında olmadığına** --> M düğmesine bastığınızda batarya seviyesi göstergesinin 2 seviyesi (7c) yanıp sönmeye başlar; batarya sıcaklığı izin verilen çalışma sıcaklığı aralığına dönene kadar bekleyin  
- **batarya bitmeye yakinken (aşırı boşalmaya karşı korumak için)** --> M düğmesine bastığınızda batarya seviyesi göstergesi tarafından düşük batarya seviyesi veya yanıp sönen düşük batarya seviyesi (7b) gösterilir  
! **alet otomatik olarak kapandıktan sonra açma/kapatma düğmesine basmayın; batarya hasar görebilir**
- Aleti tutma ve kullanma 13  
! **çalışırken aleti her zaman gri renkli tutma yerlerinden tutun**  
- havalandırma deliklerini (H 2) açık tutun  
- alete çok fazla baskı uygulamayın; bırakın alet sizin için çalışsın

## UYGULAMA ÖNERİLERİ

- Uygun uçları kullanın 14  
! **sadece keskin uçlar kullanın**
- Metalde delik açarken  
- önce küçük bir kılavuz delik açın  
- matkap uçlarını belirli aralıklarla yağlayın
- Bir tahtanın baş kısmına veya sonuna bir vida vidalandırırken, tahtanın yarılması için bir ön kılavuz delik açın
- Aletin optimal kullanımı için vidanın üzerine sürekli baskı uygulanmalıdır
- Sert tahtaya vidalama yapmadan önce, bir ön kılavuz delik açılmalıdır
- Tahtada çatlaksız delme 15
- Duvarlarda tozsuz delme 16
- Tavanlarda tozsuz delme 17
- Fayans üzerinde kaydırmadan delme 18
- Daha fazla bilgi için [www.skil.com](http://www.skil.com) adresine bakın

## BAKIM / SERVİS

- Bu alet profesyonel kullanıma yönelik değildir
- Aleti her zaman temiz tutun (özellikle havalandırma deliklerini H 2)
- ! **temizlikten önce bataryayı aletten çıkarın**  
• Dikkatli biçimde yürütülen üretim ve test prosedürlerine rağmen alet arızalanırsa onarım işlemleri SKIL elektrikli aletlerine yönelik bir satış sonrası servis merkezinde yapılmalıdır  
- aleti parçalarına ayrılmamış olarak satın alma belgesiyle birlikte satıcınıza veya en yakın SKIL servisine gönderin (servis adresleri ve aletin servis çizelgesi [www.skil.com](http://www.skil.com) adresinde listelenmiştir)
- Aşırı yüklenme ve yanlış kullanımın aleti garanti kapsamından çıkaracağını unutmayın (SKIL garanti koşulları için [www.skil.com](http://www.skil.com) adresine bakın veya satıcınıza

başvurun)

## ÇEVRE

- **Elektrikli aletleri, bataryaları, aksesuarları ve ambalaj malzemelerini evsel atıklarla birlikte çöpe atmayın** (sadece AB ülkeleri için)  
- atık elektrikli ve elektronik eşyalarla ilgili 2012/19/EC sayılı Avrupa Birliği Direktifi ve bu direktifin uyarlandığı ulusal yasalar gereğince kullanım ömrünün sonuna ulaşan elektrikli aletler ayrı olarak toplanmalı ve çevreye uyumlu bir geri dönüşüm tesisine gönderilmelidir  
- 6 sembolü, bertaraf etme ihtiyacı meydana geldiğinde size bunu hatırlatması içindir  
! **bataryayı atmadan önce kısa devre oluşmasını önlemek için batarya kutuplarını kalın bantla sarın**

## GÜRÜLTÜ / TİTREŞİM

- EN 62841 standardına uygun olarak yapılan ölçümlere göre bu aletin ses basıncı seviyesi: 90 dB(A), ses gücü seviyesi 98 dB(A) (belirsizlik K = 5 dB) ve titreşim \* (triaks vektör toplamı; belirsizlik K = 1,5 m/sn.<sup>2</sup>)  
\* metalde delerken 12,41 m/sn.<sup>2</sup>  
\* betonda darbeli delerken 14,49 m/sn.<sup>2</sup>
- Titreşim emisyonu seviyesi EN 62841 standardında belirtilen standart teste göre ölçülmüştür; bu seviye, bir aleti bir başkasıyla karşılaştırmak amacıyla ve aletin söz konusu uygulamalarda kullanılması sırasında titreşime maruz kalma derecesinin ön değerlendirmesi olarak kullanılabilir  
- aletin farklı uygulamalar için veya farklı ya da bakımı yetersiz yapılmış aksesuarlarla kullanılması, maruz kalma seviyesini belirgin biçimde **artırabilir**  
- aletin kapalı olduğu veya çalıştığı ancak gerçek anlamda iş yapmadığı zamanlarda, maruz kalma seviyesi belirgin biçimde **azalabilir**  
! **aletin ve aksesuarlarının bakımını yaparak, ellerinizi sıcak tutarak ve çalışma şeklinizi organize ederek kendinizi titreşimin etkilerinden koruyun**

PL

**Bezczotkowa wiertarka udarowa**

**3021**

## WSTĘP

- Narzędzie jest przeznaczone do dokręcania i odkręcania śrub, wiercenia otworów w drewnie, ceramice i tworzywach oraz do wiercenia udarowego w cegle.
- Narzędzie nie jest przeznaczone do zastosowań profesjonalnych.
- Prosimy przeczytać i zachować niniejszą instrukcję. 3

## DANE TECHNICZNE 1

Maks. moment obrotowy do dokręcania z dużą siłą wg ISO 5393: 55 Nm

## ELEMENTY NARZĘDZIA 2

**A** Przycisk włącz/wyłącz i regulator prędkości

- B Pierścień nastawy sprzęgła
- C Pozycja wiercenia udarowego
- D Pozycja wiercenia
- E Pozycja wkręcania
- F Przełącznik zmiany funkcji
- G Przełącznik biegów
- H Szczeliny wentylacyjne
- J Przełącznik zmiany kierunku obrotów
- K LAMPKA DO PRACY
- L Uchwyt wiertarski
- M Przycisk wskaźnika poziomu naładowania akumulatora
- N Bit dwustronny

## BEZPIECZEŃSTWO

### OGÓLNE OSTRZEŻENIA DOTYCZĄCE BEZPIECZEŃSTWA UŻYWANIA ELEKTRONARZĘDZI

**⚠ OSTRZEŻENIE** Prosimy przeczytać wszystkie ostrzeżenia i instrukcje oraz przestudiować specyfikację i ilustracje dostarczone wraz z elektronarzędziem. Niestosowanie się do wszystkich podanych niżej instrukcji może doprowadzić do porażenia prądem, pożaru i/lub poważnych obrażeń.

**Wszystkie ostrzeżenia i instrukcje należy zachować na przyszłość.**

Termin „elektronarzędzie” występujący w ostrzeżeniach dotyczy narzędzia elektrycznego o zasilaniu sieciowym (przewodowego) lub akumulatorowym (bezprowadowego).

- 1) **BEZPIECZEŃSTWO W MIEJSCU PRACY**
  - a) **Należy dbać o czystość i dobre oświetlenie w miejscu pracy.** Bałagan i złe oświetlenie sprzyjają wypadkom.
  - b) **Nie należy używać elektronarzędzi w miejscach zagrożonych wybuchem, np. w obecności łatwopalnych cieczy, gazów lub pyłu.** Elektronarzędzia wytwarzają iskry, które mogą zapalić opary lub pył.
  - c) **W czasie pracy elektronarzędzie należy trzymać z dala od dzieci i osób postronnych.** Chwila nieuwagi może spowodować utratę kontroli nad urządzeniem.
- 2) **BEZPIECZEŃSTWO ELEKTRYCZNE**
  - a) **Wtyczki elektronarzędzi muszą pasować do gniazdek. Nigdy w jakikolwiek sposób nie wolno przerabiać wtyczki. Do elektronarzędzi wymagających uziemienia nie należy używać przejściówek.** Oryginalne wtyczki i pasujące do nich gniazdzka zmniejszają ryzyko porażenia prądem.
  - b) **Należy unikać dotykania ciałem powierzchni uziemionych, takich jak np. rury, kaloryfery, kuchenki i lodówki.** Uziemienie ciała zwiększa ryzyko porażenia prądem.
  - c) **Elektronarzędzia należy chronić przed deszczem i wilgocią.** Woda dostająca się do wnętrza elektronarzędzia zwiększa ryzyko porażenia prądem.
  - d) **Nie należy nadwyrażać przewodu. Nigdy nie należy używać przewodu do noszenia lub ciągnięcia elektronarzędzia; nie należy chwycić za przewód, aby wyjąć wtyczkę z kontaktu. Przewód należy chronić przed gorącym, ropą, olejem, ostrymi**

krawędziami i poruszającymi się częściami.

Zapłatané lub uszkodzone przewody zwiększają ryzyko porażenia prądem.

- e) **Podczas używania elektronarzędzia na dworze należy stosować przedłużacz nadający się do używania na dworze.** Używanie przewodu przeznaczanego do stosowania na dworze zmniejsza ryzyko porażenia prądem.
  - f) **Jeżeli użycie elektronarzędzia w miejscu o dużej wilgotności jest nieuniknione, należy stosować zasilanie zabezpieczone wyłącznikiem różnicowoprądowym.** Używanie wyłącznika różnicowoprądowego zmniejsza ryzyko porażenia prądem.
- 3) **BEZPIECZEŃSTWO OSOBISTE**
    - a) **Podczas pracy narzędziem należy zachowywać czujność, patrzeć, co się robi i kierować się zdrowym rozsądkiem.** Nie należy używać elektronarzędzia, gdy użytkownik jest zmęczony, albo pod wpływem narkotyków, alkoholu lub leków. Chwila nieuwagi w czasie posługiwania się elektronarzędziami może spowodować poważne obrażenia.
    - b) **Należy używać środków ochrony osobistej. Należy zawsze nosić okulary ochronne. Stosowanie w odpowiednich warunkach sprzętu ochronnego takiego jak np. maska przeciwpyłowa, obuwie ochronne z podeszwami antypoślizgowymi, kask lub ochronniki słuchu zmniejszy ewentualne obrażenia.**
    - c) **Nie należy dopuszczać do przypadkowego włączenia. Należy pilnować, aby przed podłączeniem narzędzia do zasilania i/lub baterii akumulatorowej oraz przed podniesieniem i przenoszeniem przełącznik był ustawiony w pozycji „wyłączone”.** Przenoszenie elektronarzędzia z palcem na wyłączniku lub podłączanie do prądu elektronarzędzia z włączonym przełącznikiem może prowadzić do wypadków.
    - d) **Przed włączeniem elektronarzędzia należy usunąć wszystkie klucze regulacyjne i inne narzędzia.** Klucz zaczepiony o obracającą się część elektronarzędzia może spowodować obrażenia.
    - e) **Nie należy sięgać za daleko. Należy zawsze dbać o utrzymanie równowagi i pewne podparcie nóg.** W nieprzewidzianych sytuacjach zapewnia to lepszą kontrolę nad elektronarzędziem.
    - f) **Należy nosić odpowiednią odzież. Nie powinno się nosić luźnych ubrań ani biżuterii. Włosy i odzież należy trzymać w bezpiecznej odległości od poruszających się części.** Luźne ubrania, biżuteria lub długie włosy mogą zaczepić się o poruszające się części.
    - g) **Jeżeli urządzenie jest przystosowane do podłączania do odsysacza pyłu i urządzenia zbierającego, należy dopilnować, aby systemy te były podłączone i właściwie stosowane.** Używanie systemów służących do pochłaniania pyłu może zmniejszyć zagrożenia związane z pyłem.
    - h) **Nie wolno dopuścić do tego, aby poczucie znajomości narzędzia wynikające z jego częstego używania doprowadziło do lekceważenia i ignorowania zasad bezpieczeństwa.** Jedno lekkomyślne działanie może w ułamku sekundy doprowadzić do ciężkich urazów.
- 4) **UŻYWANIE I KONSERWOWANIE**

## ELEKTRONARZĘDZI

- a) **Elektronarzędzia nie należy forsować. Należy używać narzędzia dostosowanego do wykonywanej pracy.** Odpowiednie narzędzie elektryczne wykona pracę lepiej i bezpieczniej, gdy pozwoli mu się pracować z prędkością/obrotami do jakich zostało zaprojektowane.
  - b) **Nie należy używać elektronarzędzia, jeżeli przełącznik zasilania nie włącza go lub nie wyłącza.** Elektronarzędzie, którego nie da się kontrolować przełącznikiem, jest potencjalnie niebezpieczne i wymaga naprawy.
  - c) **Przed przystąpieniem do regulacji elektronarzędzia oraz przed wymianą akcesoriów lub odłożeniem narzędzia na miejsce, należy odłączyć je od zasilania i/lub wyjąć akumulator.** Tego typu zapobiegawcze środki ostrożności zmniejszają ryzyko przypadkowego włączenia się elektronarzędzia.
  - d) **Nieużywane elektronarzędzia należy przechowywać w miejscu niedostępnym dla dzieci. Osobom, które nie znają narzędzia lub nie zapoznały się z instrukcją nie należy pozwalać go używać.** W rękach nieprzeszkolonych użytkowników elektronarzędzia mogą stanowić zagrożenie.
  - e) **Elektronarzędzia i akcesoria należy utrzymywać w dobrym stanie. Należy kontrolować, czy części ruchome nie są odchylone od osi, nie zacinają się i nie są pęknięte lub uszkodzone w inny sposób, który mógłby wpłynąć na działanie elektronarzędzia.** W razie uszkodzenia, przed użyciem narzędzie należy oddać do naprawy. Wiele wypadków wynika ze złej konserwacji elektronarzędzi.
  - f) **Należy dbać o czystość i naostrzenie narzędzi tnących.** Odpowiednio utrzymane narzędzia tnące z ostrymi krawędziami tnącymi są mniej narażone na zakleszczanie się i łatwiej jest je kontrolować.
  - g) **Elektronarzędzi, akcesoriów, wiertel, bitów, itp. należy używać zgodnie z niniejszą instrukcją, z uwzględnieniem warunków i rodzaju wykonywanej pracy.** Korzystanie z elektronarzędzi niezgodnie z przeznaczeniem może prowadzić do niebezpiecznych sytuacji.
  - h) **Należy dbać o to, aby uchwyty i powierzchnie do trzymania były suche, czyste i niezaplamione olejem lub smarem.** Śliskie uchwyty nie pozwalają w bezpieczny sposób kontrolować narzędzia w nieprzewidzianych sytuacjach.
- ### 5) UŻYWANIE I KONSERWOWANIE NARZĘDZI AKUMULATOROWYCH
- a) **Do ładowania należy używać wyłącznie ładowarki wskazanej przez producenta.** Użycie ładowarki pochodzącej od jednego akumulatora do ładowania innego akumulatora grozi pożarem.
  - b) **Elektronarzędzi należy używać wyłącznie z dedykowanymi do nich akumulatorami.** Użycie jakichkolwiek innych akumulatorów grozi obrażeniami i pożarem.
  - c) **Jeżeli akumulator nie jest używany, należy go przechowywać z dala od innych przedmiotów metalowych, np. spinaczy, monet, kluczy, gwoździ, śrub i innych drobnych przedmiotów metalowych, które mogłyby spowodować zwarcie wyprowadzeń akumulatora.** Zwarcie wyprowadzeń akumulatora może doprowadzić do oparzenia lub pożaru.

- d) **W niesprzyjających warunkach może dojść do wycieku cieczy z akumulatora. Należy wtedy unikać wszelkiego kontaktu z tą cieczą. W razie przypadkowego kontaktu ze skórą, zabrudzone miejsce należy obficie przemyć wodą. Jeżeli płyn dostanie się do oczu, należy dodatkowo zasięgnąć porady lekarza.** Płyn wyciekający z akumulatora może powodować podrażnienie lub oparzenia.
  - e) **Nie należy używać akumulatora lub narzędzia, które są uszkodzone lub zostały poddane przeróbkom.** Uszkodzone lub zmodyfikowane akumulatory mogą zachowywać się w sposób nieprzewidywalny, co może doprowadzić do pożaru lub wybuchu lub stwarzać ryzyko urazów.
  - f) **Nie należy narażać akumulatora lub narzędzia na kontakt z ogniem lub zbyt wysokimi temperaturami.** Ogień lub temperatury przekraczające 130°C mogą doprowadzić do wybuchu.
  - g) **Należy przestrzegać wszystkich instrukcji ładowania. Nie należy ładować akumulatora lub narzędzia poza przedziałem temperatur podanym w instrukcji.** Ładowanie w sposób nieprawidłowy lub w temperaturze wykraczającej poza określony zakres może doprowadzić do uszkodzenia akumulatora i zwiększa ryzyko pożaru.
- ### 6) SERWISOWANIE
- a) **Serwisowanie elektronarzędzia należy powierzać wykwalifikowanemu serwisantowi, a do naprawy używać wyłącznie części zamiennych identycznych z oryginalnymi.** Zapewni to bezpieczeństwo eksploatacji elektronarzędzia.
  - b) **Uszkodzonych akumulatorów nie należy nigdy naprawiać.** Jakiegokolwiek czynności serwisowe przy akumulatorach powinny być wykonywane wyłącznie przez producenta lub pracowników autoryzowanego serwisu.

## INSTRUKCJE BEZPIECZEŃSTWA DOTYCZĄCE MŁOTOWIERTAREK AKUMULATOROWYCH

- ### 1) INSTRUKCJE BEZPIECZEŃSTWA ODNOSZĄCE SIĘ DO WSZYSTKICH OPERACJI
- a) **Na czas wstarcia udarowego należy zakładać nauszniki ochronne.** Hałas może spowodować utratę słuchu.
  - b) **Podczas prac, w trakcie których końcówka narzędzia lub element mocujący może natrafić na ukryty przewód elektryczny, elektronarzędzie należy trzymać za izolowane uchwyty.** Narzędzie robocze i śruby dotykające przewodu pod napięciem mogą spowodować przepływ napięcia przez metalowe części elektronarzędzia i porażenie operatora.
- ### 2) INSTRUKCJE BEZPIECZEŃSTWA PODCZAS UŻYTKOWANIA DŁUGICH WIERTEŁ
- a) **Nigdy nie należy pracować na wyższych obrotach niż maksymalna znamionowa prędkość obrotowa wiertła.** Na wyższych obrotach, jeśli pozwoli mu się swobodnie się kręcić bez dotykania nawiercanego elementu, wiertło może się skrzywić, co może doprowadzić do urazów.
  - b) **Należy zawsze rozpoczynać wiercenie na niskich obrotach z czubkiem wiertła dotykającym nawiercanego elementu.** Na wyższych obrotach, jeśli



pozwoli mu się swobodnie się kręcić bez dotykania nawiercanego elementu, wiertło może się skrzywić, co może doprowadzić do urazów.

- c) **Narzędzie można dociskać tylko kierunku wyznaczonym przez wiertło, nie należy go jednak naciskać zbyt mocno.** Wiertła mogą się wygiąć, co może spowodować ich złamanie się, utratę kontroli nad narzędziem i w konsekwencji urazy.

#### KWESTIE OGÓLNE

- Pył pochodzący z takich materiałów, jak farby zawierające ołów, niektóre gatunki drzewa, minerały i metal może być szkodliwy (kontakt z nim lub wdychanie takiego pyłu może powodować reakcje alergiczne i/lub niewydolność oddechową u operatora lub osób towarzyszących); **należy zakładać maskę przeciwpyłową i pracować z urządzeniem odsysającym, o ile można je podłączyć**
- Niektóre rodzaje pyłu są zaklasyfikowane jako rakotwórcze (takie, jak pył dębu i buka) szczególnie w połączeniu z dodatkami do kondycjonowania drewna; **należy zakładać maskę przeciwpyłową i pracować z urządzeniem odsysającym pył, o ile można je podłączyć**
- Należy stosować się do lokalnych wymogów dotyczących pracy w otoczeniu pyłu powstającego podczas obróbki materiału
- **Nie należy obrabiać materiału zawierającego azbest** (azbest jest rakotwórczy)
- Przed regulacją elektronarzędzia, wymianą osprzętu, w czasie transportu lub podczas przechowywania należy się upewnić czy przycisk J<sup>②</sup> znajduje się w położeniu środkowym (blokada)

#### AKCESORIA

- Firma SKIL może zagwarantować bezawaryjne działanie narzędzia tylko pod warunkiem korzystania z oryginalnych akcesoriów
- Należy używać tylko akcesoriów, których dopuszczalna prędkość obrotowa jest co najmniej tak wysoka jak maksymalna prędkość obrotowa urządzenia bez obciążenia

#### PRZED UŻYCIEM

- Uwaga na gwoździe, śruby i inne twarde przedmioty; przed przystąpieniem do obróbki powinny być usunięte z obrabianego przedmiotu; usunąć je przed rozpoczęciem pracy
- **Należy zabezpieczyć miejsce wykonywania prac** (obrabiany element umieszczony w zaciskach lub imadle jest utrzymywany bezpieczniejsz niż w ręku)
- **Abymy wykryć ukryte przewody zasilające należy używać stosownych detektorów lub porozumieć się z miejscowymi zakładami energetycznymi** (kontakt z przewodami elektrycznymi może doprowadzić do pożaru i porażenia elektrycznego; uszkodzenie przewodu gazowego może doprowadzić do wybuchu; uszkodzenie przewodów instalacji wodociągowej powoduje szkody rzeczowe i może spowodować porażenie elektryczne)

#### AKUMULATORY

- **Dostarczony akumulator, o ile występuje, jest częściowo naładowany** (aby zapewnić pełne naładowanie akumulatora, przed użyciem elektronarzędzia po raz pierwszy akumulator należy całkowicie naładować ładowarką)
- **Do narzędzia należy stosować wyłącznie poniższe akumulatory i ładowarki**
  - Akumulator SKIL: BR1\*31\*\*\*\*

- Ładowarka SKIL: CR1\*31\*\*\*\*

- Uszkodzony akumulator natychmiast wymienić i nie używać do pracy
- Zabrania się rozmontowywania akumulatora
- Elektronarzędzia/akumulatora nie należy narażać na działanie opadów atmosferycznych
- Dopuszczalna temperatura otoczenia (narzędzie/ładowarka/akumulator):
  - podczas ładowania 4...40°C
  - podczas pracy -20...+50°C
  - podczas przechowywania -20...+50°C

#### OBJAŚNIENIE SYMBOLI NA NARZĘDZIU/ AKUMULATORZE

- ③ Przed użyciem należy przeczytać instrukcję
- ④ Akumulatory w kontakcie z ogniem mogą eksplodować, więc nie wolno ich pod żadnym pozorem spalać
- ⑤ Narzędzie/ładowarkę/akumulator należy zawsze przechowywać w miejscach o temperaturze nie przekraczającej 50°C
- ⑥ Narzędzi elektrycznych oraz baterii/akumulatorów nie należy wyrzucać razem ze zwykłymi śmieciami z gospodarstw domowych

#### UŻYTKOWANIE

- Włącznik/wyłącznik ze sterowaniem prędkością A<sup>②</sup>
  - zmieniając stopień nacisku na przycisk włącznika/wyłącznika można bezstopniowo sterować prędkością w zakresie od zera do maksymalnej prędkości obrotowej
- Ładowanie akumulatora
  - ! **prosimy przeczytać ostrzeżenia dotyczące bezpieczeństwa oraz instrukcje dostarczone wraz z ładowarką**
- Wyjmowanie/zakładanie akumulatora<sup>②</sup>
- Wskaźnik poziomu naładowania akumulatora<sup>⑦</sup>
  - Aby wyświetlić aktualny poziom naładowania akumulatora<sup>⑦a</sup>, należy nacisnąć przycisk wskaźnika poziomu naładowania akumulatora M
  - ! **gdy po wciśnięciu przycisku M<sup>⑦b</sup> najniższy wskaźnik poziomu naładowania akumulatora zaczyna migać, wówczas oznacza to, że akumulator jest rozładowany**
  - ! **gdy po wciśnięciu przycisku M<sup>⑦c</sup> zaczną migać 2 wskaźniki poziomu naładowania akumulatora, wówczas oznacza to, że temperatura akumulatora nie mieści się w dozwolonym przedziale pracy**
- Zmiana kierunku obrotów<sup>⑧</sup>
  - Jeśli przełącznik w lewo/prawo zostanie ustawiony w niewłaściwej pozycji, przełącznik A<sup>②</sup> będzie zablokowany.
  - ! **kierunek obrotów można zmieniać tylko wtedy, gdy narzędzie jest całkowicie zatrzymane**
- Zmiana bitów<sup>⑨</sup>
  - ! **nie używać bitów ze zniszczonym trzonkiem**
- Kontrola momentu obrotowego (VariTorque)<sup>⑩</sup>
  - Moment zwiększa się w miarę przekraczania pierścienia sprężła B z położenia 1 do 17.
  - Przy dobieganiu wielkości momentu obrotowego, próby wkręcania należy rozpocząć od położenia VariTorque 1, a należy następnie zwiększać wielkość momentu aż do osiągnięcia wymaganej głębokości wkręcenia.
  - W pozycji D sprężło jest zablokowane, co umożliwia wiercecie i wkręcanie wymagające dużych momentów

obrotowych.

- W pozycji C sprzęgło jest zablokowane, co umożliwia wyłącznie wiercenie.

**! Gdy przełącznik wyboru funkcji F jest ustawiony w pozycji wiercenia udarowego, przełącznik biegów G musi być ustawiony w pozycji 2.**

**! Do wiercenia w drewnie, metalu, ceramice i plastiku nie wolno włączać pozycji wiercenia udarowego C; może to doprowadzić do uszkodzenia wiertła.**

- Wybór przekładni mechanicznej <sup>11</sup>
    - przełącznik wyboru G należy ustawić na żadaną prędkość
- ! przełącznik biegów można przestawiać tylko podczas pracy z niewielką prędkością**

1

- niska prędkość
- wysoki moment obrotowy
- do wkręcania i wiercenia otworów o dużej średnicy
- do gwintowania

2

- wysoka prędkość
- niski moment obrotowy
- do wiercenia z udarem
- do wiercenia otworów o małej średnicy

- LAMPKA DO PRACY K <sup>12</sup>
    - Po włączeniu narzędzia zapala się LAMPKA DO PRACY K.
- ! miganie LAMPKI DO PRACY oznacza, że włączyt się system ochrony akumulatora (patrz poniżej)**
- System ochrony akumulatora  
Narzędzie nagle wyłącza się lub nie można go włączyć, gdy
    - obciążenie jest zbyt duże -> należy usunąć obciążenie i uruchomić narzędzie ponownie
    - temperatura akumulatora jest poza dopuszczalnym zakresem wynoszącym od -20 do 50°C --> po naciśnięciu przycisku M <sup>7c</sup> zaczną migać 2 paski poziomu energii akumulatora na wskaźniku; należy poczekać, aż temperatura akumulatora powróci do dopuszczalnego zakresu pracy
    - akumulator jest prawie całkowicie wyczerpany (zabezpieczenie przed głębokim rozładowaniem)  
--> naciśnięcie przycisku M powoduje wyświetlenie na wskaźniku niskiego poziomu akumulatora lub miganie paska niskiego poziomu akumulatora <sup>7b</sup>; naładować akumulator
- ! po automatycznym wyłączeniu narzędzia nie należy naciskać przycisku „on/off” („wł./wył.”), ponieważ może to spowodować uszkodzenie akumulatora**
- Trzymanie i prowadzenie narzędzia <sup>13</sup>
    - ! podczas pracy należy zawsze trzymać narzędzie za uchwyt(y) w kolorze szarym**
    - szczeliny wentylacyjne H <sup>2</sup> nie mogą być zasłonięte
    - nie przyciskać narzędzia zbyt silnie; należy pozwolić mu pracować

## WSKAZÓWKI DOTYCZĄCE UŻYTKOWANIA

- Należy używać odpowiednich wiertel <sup>14</sup>
  - ! należy używać tylko ostrych wiertel**

- Wiercenie otworów w metalach, w skład których wchodzi żelazo
  - podczas wiercenia dużych otworów należy wstępnie wywiercić mały otwór
  - od czasu do czasu naoliwić wiertło
- W celu uniknięcia rozwarstwiania przedmiotów drewnianych przy wkręcaniu wkrętów na brzegu należy otwór odpowiednio nawiercić
- Przy wkręcaniu, a szczególnie wykręcaniu wymagane jest wywieranie stałego nacisku na łeb wkręta
- Przy wkręcaniu wkrętów w twarde drewno wykonać otwór wstępny
- Wiercenie w przedmiotach drewnianych bez uszkodzenia krawędzi otworu <sup>15</sup>
- Bezpyłowe wiercenie w ścianach <sup>16</sup>
- Bezpyłowe wiercenie w sufitach <sup>17</sup>
- Wiercenie bez poślizgu w płytkach ceramicznych <sup>18</sup>
- Więcej informacji można znaleźć pod adresem [www.skil.com](http://www.skil.com)

## KONSERWACJA / SERWIS

- Narzędzie nie jest przeznaczone do zastosowań profesjonalnych
- Należy zawsze dbać o czystość narzędzia (a szczególnie szczelin wentylacyjnych H <sup>2</sup>)
  - ! przed rozłączeniem czyszczenia należy wyjąć z narzędzia akumulator**
- Jeśli narzędzie, mimo dokładnej i wszechstronnej kontroli produkcyjnej ulegnie kiedykolwiek awarii, naprawę powinien przeprowadzić autoryzowany serwis elektronarzędzi firmy SKIL
  - nierozbrane narzędzie należy odesłać, wraz z dowodem zakupu, do swojego dystrybutora lub do najbliższego punktu serwisowego SKIL (adresy oraz diagram serwisowy narzędzia znajdują się na stronach [www.skil.com](http://www.skil.com))
- Prosimy pamiętać, że uszkodzenia spowodowane przeciążeniem lub niewłaściwym użytkowaniem narzędzia nie podlegają gwarancji (warunki gwarancji SKIL znajdują się na [www.skil.com](http://www.skil.com) lub pytać swojego dealera)

## ŚRODOWISKO

- Elektronarzędzi, akumulatorów, akcesoriów i opakowania nie należy wyrzucać razem z odpadami z gospodarstwa domowego (dotyczy tylko państw UE)
    - zgodnie z Europejską Dyrektywą 2012/19/WE w sprawie zużytego sprzętu elektrotechnicznego i elektronicznego oraz dostosowaniem jej do prawa krajowego, zużyte elektronarzędzia należy posegregować i zutylizować w sposób przyjazny dla środowiska
    - w przypadku potrzeby pozbycia się narzędzia, akcesoriów i opakowania - przypomni Ci o tym symbol <sup>6</sup>
- ! aby nie dopuścić do zwarcia, przed utylizacją należy zabezpieczyć wyprowadzenia akumulatora grubą taśmą**

## HAŁAS / WIBRACJE

- Zmierzony zgodnie z normą EN 62841 poziom ciśnienia akustycznego tego narzędzia wynosi 90 dB (A), poziom mocy akustycznej 98 dB (A) (niepewność K = 5 dB), zaś

poziom drgań\* (sumy wektorowe przyspieszeń mierzone czujnikami triax; niepewność  $K = 1,5 \text{ m/s}^2$ ):

\* podczas wiercenia w metalu  $12,41 \text{ m/s}^2$

\* podczas wiercenia udarowego w betonie  $14,49 \text{ m/s}^2$

- Poziom emisji vibracji został zmierzony zgodnie z testem standaryzowanym podanym w EN 62841; może służyć do porównania jednego narzędzia z innym i jako ocena wstępna narażenia na vibracje w trakcie używania narzędzia do wymienionych zada
- używanie narzędzia do innych zastosowań, lub z innymi albo źle utrzymanymi akcesoriami, może znacząco zwiększyć poziom narażenia
- przypadki, kiedy narzędzie jest wyłączone lub pracuje, ale aktualnie nie wykonuje zadania, mogą znacząco zmniejszyć poziom narażenia

**! należy chronić się przed skutkami vibracji przez konserwację narzędzia i jego akcesoriów, dbanie o ciepło dłoni i właściwą organizację pracy**

RU

## Бесщеточная ударная дрель

3021

предусмотренных изготовителем для продукции, могут входить настоящее руководство по эксплуатации, а также приложения.

Информация о подтверждении соответствия содержится в приложении.

### Срок службы изделия

Срок службы изделия составляет 7 лет. Не рекомендуется к эксплуатации по истечении 5 лет хранения с даты изготовления без предварительной проверки (дату изготовления см. на этикетке).

### Перечень критических отказов и ошибочные действия персонала или пользователя

- не использовать с поврежденной рукояткой или поврежденным защитным кожухом
- не использовать при появлении дыма непосредственно из корпуса изделия
- не использовать с перетянутыми или оголенными электрическими кабелями
- не использовать на открытом пространстве во время дождя (в распыляемой воде)
- не включать при попадании воды в корпус
- не использовать при сильном искрении
- не использовать при появлении сильной вибрации

### Критерии предельных состояний

- перетёрт или повреждён электрический кабель
- повреждён корпус изделия

### Тип и периодичность технического обслуживания

Рекомендуется очистить инструмент от пыли после каждого использования.

### Хранение

- необходимо хранить в сухом месте
- необходимо хранить вдали от источников повышенных температур и воздействия солнечных лучей
- при хранении необходимо избегать резкого перепада температур
- хранение без упаковки не допускается
- подробные требования к условиям хранения

смотрите в ГОСТ 15150 (Условие 1)

### Транспортировка

- категорически не допускается падение и любые механические воздействия на упаковку при транспортировке
- при разгрузке/погрузке не допускается использование любого вида техники, работающей по принципу зажима упаковки
- подробные требования к условиям транспортировки смотрите в ГОСТ 15150 (Условие 5)

### ВНИМАНИЕ!

**В случае возникновения перебоя в работе электроинструмента вследствие полного или частичного прекращения энергоснабжения или повреждения цепи управления энергоснабжением установите выключатель в положение Выкл., убедившись, что он не заблокирован (при его наличии) и отключите сетевую вилку от розетки или отсоедините съёмный аккумулятор (этим предотвращается неконтролируемый повторный запуск)**

## ВВЕДЕНИЕ

- Этот инструмент предназначен для закручивания и откручивания винтов и шурупов, сверления отверстий в древесине, керамике и пластике, а также для ударного сверления кирпича.
- Данное устройство не предназначено для профессионального использования.
- Изучите и сохраните данное руководство по эксплуатации. ③

## ТЕХНИЧЕСКИЕ ХАРАКТЕРИСТИКИ ①

Максимальный крутящий момент для тяжелых условий закручивания согласно ISO 5393: 55 Нм

## СТРАНА ИЗГОТОВЛЕНИЯ

Сделано в Китае

## КОМПОНЕНТЫ УСТРОЙСТВА ②

- A** Переключатель для включения/выключения и регулировки скорости
- B** Кольцо для контроля крутящего момента
- C** Положение для ударного сверления
- D** Положение для сверления
- E** Положение для режима отвертки
- F** Переключатель функций
- G** Переключатель скорости
- H** Вентиляционные отверстия
- J** Переключатель направления вращения
- K** ПОДСВЕТКА
- L** Патрон
- M** Кнопка индикатора уровня заряда аккумулятора
- N** Двусторонняя бита

## БЕЗОПАСНОСТЬ

**ОБЩИЕ ПРАВИЛА ТЕХНИКИ БЕЗОПАСНОСТИ ПРИ РАБОТЕ С ЭЛЕКТРОИНСТРУМЕНТАМИ**

**⚠ ПРЕДУПРЕЖДЕНИЕ.** Прочитайте все правила безопасности, инструкции, иллюстрации и спецификации, прилагаемые к этому электроинструменту. Невыполнение изложенных ниже инструкций может привести к поражению электрическим током, пожару и (или) тяжелым травмам.

**Сохраните все предупреждения и инструкции для использования в будущем.**

Термин «электроинструмент» в предупреждениях означает электрический инструмент с питанием от сети (с кабелем) или электрический инструмент с питанием от аккумулятора (без кабеля).

### 1) БЕЗОПАСНОСТЬ РАБОЧЕГО МЕСТА

- a) **Обеспечьте чистоту и освещенность рабочего места.** Загроможденные и плохо освещенные места служат причиной несчастных случаев.
- b) **Не используйте электроинструменты во взрывоопасных местах, например вблизи горючих жидкостей, газов или пыли.** Электроинструменты генерируют искры, которые могут воспламенить пыль или испарения.
- c) **Не позволяйте детям и посторонним находиться вблизи работающего электроинструмента.** Отвлекающие факторы могут привести к потере контроля.

### 2) ЭЛЕКТРОТЕХНИЧЕСКАЯ БЕЗОПАСНОСТЬ

- a) **Вилка электроинструмента должна соответствовать розетке. Никогда не переделяйте вилку. Не используйте никакие переходники для вилок электроинструментов с заземлением.** Использование оригинальных вилок и соответствующих им розеток уменьшает риск поражения электрическим током.
  - b) **Избегайте прикосновений к заземленным объектам, таким как трубы, радиаторы, плиты и холодильники.** Риск поражения электрическим током выше, когда тело заземлено.
  - c) **Не подвергайте электроинструменты воздействию дождя или влаги.** При попадании воды в электроинструмент увеличивается риск поражения электрическим током.
  - d) **Обращайтесь с кабелем аккуратно. Никогда не переносите, не тяните и не выключайте электроинструмент за кабель. Держите кабель подальше от источников тепла, масла, острых предметов или движущихся частей.** Поврежденные и запутанные кабели повышают риск поражения электрическим током.
  - e) **Для работы с электроинструментом вне помещения используйте предназначенный для этого удлинительный кабель.** Использование кабеля, подходящего для использования вне помещения, снижает риск поражения электрическим током.
  - f) **Если использование электроинструмента в сыром помещении неизбежно, подключайте его через устройство защитного отключения (УЗО).** Использование УЗО снижает риск поражения электрическим током.
- ### 3) ЛИЧНАЯ БЕЗОПАСНОСТЬ

- a) **При использовании электроинструмента будьте бдительны, следите за своими действиями и следуйте здравому смыслу.** Не пользуйтесь электроинструментом, если вы устали или находитесь под воздействием наркотиков, алкоголя или медикаментов. Даже кратковременная невнимательность при работе с электроинструментом может привести к тяжелым травмам.
  - b) **Используйте средства индивидуальной защиты. Всегда используйте защитные средства для глаз.** Защитное оборудование, такое как противопылевая маска, нескользкая предохранительная обувь, жесткая каска или устройства защиты органов слуха в соответствующих условиях уменьшает риск травмирования.
  - c) **Не допускайте непредвиденных запусков. Перед подключением инструмента к сети питания (или аккумулятору) и перед его переноской убедитесь, что выключатель находится в выключенном положении. Не держите палец на выключателе при переноске электроинструментов и не включайте вилку в розетку, если электроинструмент включен.** Это может привести к несчастному случаю.
  - d) **Перед включением электроинструмента снимите с него регулировочные инструменты и гаечные ключи.** Регулировочный инструмент или гаечный ключ, оставленный на вращающейся части электроинструмента, может стать причиной травмы.
  - e) **Не тянитесь. Всегда сохраняйте устойчивое положение и равновесие.** Это позволит лучше контролировать электроинструмент в непредвиденных ситуациях.
  - f) **Одевайтесь надлежным образом. Не надевайте свободную одежду и украшения. Держите волосы и одежду подальше от движущихся частей.** Свободная одежда, украшения и длинные волосы могут попасть в движущиеся части.
  - g) **При наличии устройств для отвода и сбора пыли убедитесь, что они подключены и правильно работают.** Использование пылеулавливающих устройств снижает вред, причиняемый пылью.
  - h) **Не допускайте небрежности, которая может возникнуть из-за частого использования инструмента и повлечь за собой самоуверенность и игнорирование правил безопасности.** Неосторожное действие может причинить серьезную травму за доли секунды.
- ### 4) ИСПОЛЬЗОВАНИЕ И ОБСЛУЖИВАНИЕ ЭЛЕКТРОИНСТРУМЕНТА
- a) **Не прикладывайте к электроинструменту чрезмерных усилий. Используйте подходящий для ваших задач электроинструмент.** Правильно выбранный электроинструмент более эффективен и безопасен при номинальной нагрузке.
  - b) **Не используйте электроинструмент, если его выключатель неисправен.** Электроинструменты с неисправным выключателем опасны и подлежат ремонту.
  - c) **Перед регулировкой, сменой аксессуаров или хранением отключите электроинструмент от сети питания и/или извлеките аккумулятор,**

если это возможно. Такие меры предосторожности уменьшают риск случайного запуска электроинструмента.

- d) **Храните неиспользуемые электроинструменты в местах, недоступных для детей, и не доверяйте электроинструмент лицам, не знакомым с ним и с этими инструкциями.** Электроинструменты опасны в руках неподготовленных пользователей.
- e) **Выполняйте техническое обслуживание электроинструментов и принадлежностей.** Проверьте выравнивание и сцепление подвижных деталей, наличие поломок и прочие условия, которые могут повлиять на работу электроинструмента. Если электроинструмент поврежден, перед использованием его необходимо отремонтировать. Недостаточный уход за электроинструментом является причиной многих несчастных случаев.
- f) **Храните режущие инструменты в чистоте и заточенном состоянии.** Правильно обслуживаемые и хорошо заточенные режущие инструменты меньше заклинивают и лучше контролируются.
- g) **Используйте электроинструмент, аксессуар, насадки и т. п. в соответствии с этими инструкциями, учитывая условия и специфику выполняемой работы.** Использование электроинструмента для выполнения непредусмотренных операций может привести к опасным ситуациям.
- h) **Следите за тем, чтобы рукоятки и поверхности захвата были сухими и чистыми и на них не было масла или смазочного материала.** Скользкие рукоятки и поверхности захвата не позволяют безопасно использовать инструмент и контролировать его в непредвиденных ситуациях.
- 5) **ЭКСПЛУАТАЦИЯ И ОБСЛУЖИВАНИЕ ИНСТРУМЕНТА С ПИТАНИЕМ ОТ АККУМУЛЯТОРА**
  - a) **Заряжайте аккумуляторы только с помощью зарядного устройства, указанного изготовителем.** Зарядное устройство, предназначенное для одного типа аккумуляторных батарей, может стать причиной пожара при использовании с другим типом батареи.
  - b) **Используйте электроинструмент только со специально предназначенными для него аккумуляторами.** Использование любого другого вида аккумуляторных батарей может стать причиной несчастных случаев или пожара.
  - c) **Когда аккумулятор не используется, храните его отдельно от металлических предметов — канцелярских скрепок, монет, ключей, гвоздей, винтов и др. — они могут соединить контакты.** Короткое замыкание контактов аккумуляторной батареи может стать причиной ожогов или пожара.
  - d) **При неблагоприятных обстоятельствах из аккумулятора может потечь электролит.** Избегайте контакта с ним. При случайном контакте промойте водой. Если жидкость попала в глаза, обратитесь к врачу. Жидкость из аккумуляторной батареи может вызвать раздражение и ожоги.
  - e) **Не используйте аккумулятор и инструмент, если они повреждены или подвергались**

модификациям. Поведение поврежденных или модифицированных аккумуляторов может быть непредсказуемым, что приведет к возгоранию, взрыву и риску получения травм.

- f) **Не подвержайте аккумуляторную батарею и инструмент воздействию огня и высокой температуры.** Воздействие огня или температуры выше 130 °C может привести к взрыву.
- g) **Следуйте всем инструкциям по зарядке и не заряжайте аккумулятор и инструмент при температуре, выходящей за пределы указанного диапазона.** Если зарядка выполняется неправильно или в условиях неподходящей температуры, это может привести к повреждению аккумулятора и возгоранию.
- 6) **РЕМОНТ**
  - a) **Ремонт электроинструмента должен выполняться квалифицированным специалистом с использованием только идентичных запасных частей.** Это обеспечит безопасную работу электроинструмента.
  - b) **Никогда не выполняйте обслуживание поврежденного аккумулятора.** Обслуживание аккумуляторов должно выполняться только производителем или в авторизованном сервисном центре.

## **ПРАВИЛА ТЕХНИКИ БЕЗОПАСНОСТИ ПРИ РАБОТЕ С АККУМУЛЯТОРНОЙ УДАРНОЙ ДРЕЛЬЮ**

### **1) ИНСТРУКЦИИ ПО ТЕХНИКЕ БЕЗОПАСНОСТИ ДЛЯ ВСЕХ ОПЕРАЦИЙ**

- a) **При использовании ударной дрели используйте средства защиты органов слуха.** Воздействие шума может привести к потере слуха.
- b) **При выполнении работ, в ходе которых режущий элемент или крепление может касаться скрытой электропроводки, держите инструмент за изолированные поверхности.** Соприкосновение режущей детали и крепления с проводом под напряжением может передать напряжение на металлические части электроинструмента и привести к поражению оператора электрическим током.

### **2) ИНСТРУКЦИИ ПО ТЕХНИКЕ БЕЗОПАСНОСТИ ПРИ ИСПОЛЬЗОВАНИИ ДЛИННЫХ СВЕРЛ**

- a) **Никогда не превышайте максимальную скорость работы сверла.** При вращении с высокой скоростью без контакта с заготовкой сверло может согнуться, что приведет к травме.
- b) **Всегда начинайте сверление на низкой скорости, при этом конец сверла должен касаться заготовки.** При вращении с высокой скоростью без контакта с заготовкой сверло может согнуться, что приведет к травме.
- c) **Прикладывайте давление только по прямой линии относительно сверла и не давите слишком сильно.** Сверло может согнуться, что приведет к поломке, потере контроля и травмам.

### **ОБЩИЕ ПОЛОЖЕНИЯ**

- Пыль от материалов, таких как краска с содержанием свинца, некоторые породы дерева, минералы и металлы, может быть вредна. Контакт

с такой пылью или ее вдыхание может вызвать аллергические реакции и (или) болезнь органов дыхания у оператора или находящегося рядом лиц. **Необходимо надевать респиратор и по возможности использовать пылеулавливающее устройство.**

- Некоторые виды пыли классифицируются как канцерогенные (например, дубовая и буковая пыль), особенно в сочетании с добавками для кондиционирования древесины. **Надевайте респиратор и по возможности используйте пылеулавливающие устройства.**
- При работе с различными материалами следуйте национальным нормативным требованиям в отношении пыли.
- **Не обрабатывайте материалы, содержащие асбест.** Асбест считается канцерогенным веществом.
- Убедитесь в том, что выключатель J ② находится в центральном положении (заблокирован) перед тем, как приступить к настройке инструмента или смене принадлежностей, а также перед перемещением и уборкой инструмента на хранение.

#### ПРИНАДЛЕЖНОСТИ

- Компания SKIL может гарантировать безупречную работу инструмента только при использовании оригинальных принадлежностей.
- Используйте только такие насадки, допустимая скорость вращения которых по крайней мере равна самой высокой скорости работы устройства без нагрузки.

#### ПЕРЕД ИСПОЛЬЗОВАНИЕМ

- Остерегайтесь винтов, гвоздей и прочих предметов в заготовке, уберите их перед началом работы.
- **Закрепите заготовку** (надежнее зафиксировать заготовку в зажимном устройстве или в тисках, чем удерживать ее рукой).
- **Для обнаружения скрытых коммуникаций используйте соответствующие детекторы или обратитесь за помощью в местное коммунальное предприятие.** Контакт с электропроводкой может привести к пожару или поражению электрическим током, повреждение газопровода может привести к взрыву, а повреждение водопровода может повлечь повреждение имущества или поражение электрическим током.

#### АККУМУЛЯТОРЫ

- **Аккумулятор (при наличии) поставляется частично заряженным.** (чтобы обеспечить полную емкость аккумулятора, перед первым использованием инструмента полностью зарядите аккумулятор с помощью зарядного устройства).
- **Используйте с этим инструментом только указанные далее аккумуляторы и зарядные устройства.**
  - Аккумулятор SKIL: BR1\*31\*\*\*\*
  - Зарядное устройство SKIL: CR1\*31\*\*\*\*
- Не используйте поврежденный аккумулятор, его необходимо немедленно заменить.
- Не разбирайте аккумулятор.
- Не оставляйте инструмент и аккумулятор под дождем.
- Допустимая температура окружающей среды (инструмент/зарядное устройство/аккумулятор):
- при зарядке 4...40 °C

- при эксплуатации -20...+50 °C
- при хранении -20...+50 °C

#### ПОЯСНЕНИЯ К ОБОЗНАЧЕНИЯМ НА ИНСТРУМЕНТЕ И АККУМУЛЯТОРЕ

- ③ Перед использованием ознакомьтесь с инструкциями.
- ④ При попадании в огонь аккумулятор может взорваться. Ни в коем случае не сжигайте аккумуляторы.
- ⑤ Храните инструмент, зарядное устройство и аккумулятор в таких местах, где температура не превышает 50 °C.
- ⑥ Не выбрасывайте электроинструменты и аккумуляторы вместе с бытовыми отходами.

#### ИСПОЛЬЗОВАНИЕ

- Комбинированный переключатель для включения/выключения и регулировки скорости A ②
  - Скорость плавно регулируется от нуля до максимума путем уменьшения или увеличения давления на курок.
- Зарядка аккумулятора
  - ! **Ознакомьтесь с предупреждениями и инструкциями по технике безопасности, прилагаемыми к зарядному устройству.**
  - Извлечение и установка аккумулятора ②
  - Индикатор уровня заряда ⑦
    - Нажмите кнопку индикатора уровня заряда аккумулятора M, чтобы увидеть текущий уровень заряда ⑦a
    - ! **Если после нажатия кнопки M ⑦b начинает мигать самый нижний индикатор уровня заряда, то аккумулятор разряжен.**
    - ! **Если после нажатия кнопки M ⑦c начинают мигать 2 уровня индикатора заряда, температура аккумулятора выходит за пределы допустимого диапазона рабочих температур.**
  - Изменение направления вращения ⑧
    - При неправильной установке в левое или правое положение переключатель A ② не может быть активирован.
    - ! **Изменяйте направление вращения только тогда инструмент полностью остановлен.**
  - Смена бит ⑨
    - ! **Не используйте биты с поврежденным хвостовиком.**
- Управление крутящим моментом (VariTorque) ⑩
  - Крутящий момент на выходе будет увеличиваться при вращении кольца муфты от положения 1 до положения 17.
  - При закручивании винтов сначала установите регулировочное кольцо муфты VariTorque в положение 1, а затем увеличивайте крутящий момент, пока не будет достигнута требуемая глубина.
  - В положении D муфта блокируется для обеспечения безударного сверления или выполнения других работ в условиях большой нагрузки.
  - В положении C муфта блокируется для обеспечения возможности только ударного сверления.

**! Убедитесь, что переключатель скорости G переведен в положение 2, когда переключатель функций F находится в положении для ударного сверления.**

**! Не используйте положение для ударного сверления C для сверления дерева, металла, керамики и пластика, чтобы предотвратить повреждение сверла/винта.**

- Механический выбор скорости ⑪
- Установите переключатель G в положение необходимой скорости.

**! Используйте переключать скорости только при низкой скорости работы инструмента.**

1

- Низкая скорость
- Высокий крутящий момент
- Для закручивания шурупов и сверления отверстий большого диаметра
- Для нарезания резьбы

2

- Высокая скорость
- Низкий крутящий момент
- Для ударного сверления
- Для сверления отверстий маленького диаметра
- ПОДСВЕТКА К ⑫
- ПОДСВЕТКА К будет светиться при включении инструмента.

**! Если ПОДСВЕТКА начинает мигать, активируется защита аккумулятора (см. ниже).**

- Защита аккумулятора  
Инструмент внезапно выключается или не включается, когда:
  - **нагрузка слишком высока** --> уменьшите нагрузку и выполните перезапуск;
  - **температура аккумулятора вышла за пределы допустимого диапазона рабочих температур от -20 до +50 °C** --> при нажатии кнопки M ⑦c начинают мигать 2 уровня индикатора уровня заряда. Дождитесь, пока температура аккумулятора вернется в допустимый диапазон рабочих температур;
  - **аккумулятор почти разряжен (для защиты от глубокого разряда)** --> нижний уровень заряда аккумулятора или полная разрядка аккумулятора ⑦b отображается индикатором уровня заряда при нажатии кнопки M. Зарядите аккумулятор.

**! В случае автоматического выключения инструмента не пытайтесь включить его снова, поскольку при этом может быть поврежден аккумулятор.**

- Удержание и направление инструмента ⑬
- ! Во время работы всегда держите инструмент за места правильного хвата, обозначенные серым цветом.**
- Не закрывайте вентиляционные отверстия H ②.
- Не прилагайте слишком больших усилий к инструменту, работайте спокойно.

## СОВЕТЫ ПО ИСПОЛЬЗОВАНИЮ

- Используйте только надлежащие биты ⑭
- ! Используйте только хорошо заточенные биты.**
- Сверление черных металлов
  - Если требуется большое отверстие,

предварительно просверлите отверстие меньшего диаметра.

- Смажьте сверло маслом.
- При вкручивании шурупа в торец или край деревянной поверхности предварительно просверлите отверстие, чтобы дерево не треснуло.
- Для обеспечения оптимального режима работы инструмента нажимайте на шуруп с постоянным усилием при закручивании и особенно при откручивании.
- При закручивании в твердое дерево предварительно просверлите отверстие для шурупа.
- Сверление по дереву без расщепления материала ⑮
- Беспыльное сверление стен ⑯
- Беспыльное сверление потолков ⑰
- Сверление кафеля без проскальзывания ⑱
- Дополнительную информацию см. на сайте [www.skil.com](http://www.skil.com)

## ТЕХНИЧЕСКОЕ ОБСЛУЖИВАНИЕ И УХОД

- Этот инструмент не предназначен для профессионального использования.
- Всегда содержите инструмент в чистоте, особенно вентиляционные отверстия H ②.
  - ! Перед очисткой извлеките из инструмента аккумулятор.**
- Если несмотря на тщательность изготовления и испытаний инструмент выйдет из строя, его ремонт должен осуществляться в центре послепродажного обслуживания электроинструментов SKIL.
  - Отправьте инструмент в разобранном виде вместе с документом, подтверждающим покупку, вашему дилеру или в ближайший сервисный центр SKIL. Адреса и сервисная схема инструмента приведены на сайте [www.skil.com](http://www.skil.com).
- Имейте в виду, что на повреждения, вызванные перегрузкой или неправильным обращением с инструментом, гарантия не распространяется (условия гарантии SKIL см. на сайте [www.skil.com](http://www.skil.com) или уточните у дилера).

## ЗАЩИТА ОКРУЖАЮЩЕЙ СРЕДЫ

- **Не выбрасывайте электроинструменты, аккумуляторы, принадлежности и упаковку вместе с бытовыми отходами** (только для стран ЕС).
  - В соответствии с Европейской директивой 2012/19/ЕС об отходах электрического и электронного оборудования и ее выполнением в соответствии с национальным законодательством электрические инструменты, отслужившие свой срок, должны собираться отдельно и доставляться на перерабатывающее предприятие, не наносящее ущерба окружающей среде.
  - Символ ⑥ напомним об этом, когда возникнет необходимость в утилизации.
- ! Перед утилизацией аккумулятора защитите его клеммы плотной изоляционной лентой для предотвращения короткого замыкания.**

## УРОВЕНЬ ШУМА И ВИБРАЦИИ

- Измеренный в соответствии со стандартом EN 62841

уровень звукового давления данного инструмента составляет 90 дБ (А), уровень звуковой мощности 98 дБ (А) (погрешность K = 5 дБ), а вибрация \*

\* (суммарная трехкомпонентная вибрация; погрешность K = 1,5 м/с<sup>2</sup>).

\* При сверлении металла 12,41 м/с<sup>2</sup>

\* При ударном сверлении бетона 14,49 м/с<sup>2</sup>

- Уровень вибрации был измерен в соответствии со стандартизированным испытанием, содержащимся в EN 62841, и может использоваться для сравнения одного инструмента с другим, а также для предварительной оценки воздействия вибрации при использовании данного инструмента в указанных целях.

- При использовании инструмента в других целях или с другими либо неисправными принадлежностями уровень вибрации может значительно **повышаться**.

- Когда инструмент отключен или работает вхолостую, уровень вибрации может значительно **снижаться**.

**! Чтобы защититься от воздействия вибрации, поддерживайте инструмент и его принадлежности в исправном состоянии, держите руки в тепле, а также правильно организуйте рабочий процесс.**

UA

## Ударный дрель із безщітковим мотором

3021

### ВСТУП

- Цей інструмент призначений для закручування та ослаблення гвинтів, для свердління отворів у деревині, кераміці та пластичі, а також для ударного свердління в цеглі.
- Цей інструмент не придатний для професійного використання
- Прочитайте і збережіть цю інструкцію з експлуатації. ③

### ТЕХНІЧНІ ДАНІ ①

Макс.обертальний момент при закручуванні в жорсткі матеріали відповідно до ISO 5393: 55 Н•м

### ЕЛЕМЕНТИ ІНСТРУМЕНТА ②

- A Вимикач для вкл/викл та регулювання швидкості
- B Кільце для регулювання моменту обертання
- C Положення для свердління з ударом
- D Положення для свердління
- E Положення для загвинчування
- F Вимикач для зміни функцій
- G Перемикач швидкості
- H Вентиляційні отвори
- J Вимикач для зміни напрямку обертання
- K РОБОЧА ЛАМПА
- L Патрон
- M Індикатор рівня заряду акумулятора
- N Двостороння біта

## БЕЗПЕКА

### ЗАГАЛЬНІ ПОПЕРЕДЖЕННЯ ЩОДО ТЕХНІКИ БЕЗПЕКИ РОБОТИ З ЕЛЕКТРОІНСТРУМЕНТАМИ

**⚠ ПОПЕРЕДЖЕННЯ.** Прочитайте всі попередження безпеки, інструкції, ілюстрації та характеристики, надані з цим електроінструментом. Недотримання наведених нижче вказівок може спричинити ураження електричним струмом, пожежу та/або серйозні травми.

**Зберігайте всі попередження та інструкції для використання в майбутньому.**

Термін «електроінструмент» у попередженнях стосується електричного інструмента, що працює від електромережі (через шнур) або від акумулятора (без шнура).

#### 1) БЕЗПЕКА В РОБОЧІЙ ЗОНІ

- а) Робоче місце має бути чистим і гарно освітленим.** Неприбрана або погано освітлена робоча зона може стати причиною нещасного випадку.
- б) Не працюйте з інструментом у вибухонебезпечному середовищі, наприклад за наявності легнозаймистих рідин, газів або пилу.** Під час роботи електроприладу утворюються іскри, від яких можуть зайнятися пил або випари.
- с) Дітям і спостерігачам заборонено перебувати поруч з електроінструментом, що працює.** Це може відволікати вас і призвести до втрати контролю.

#### 2) ЕЛЕКТРИЧНА БЕЗПЕКА

- а) Штепсельні вилки електроінструмента мають підходити до розеток.** Заборонено модифікувати вилку будь-яким чином. Не використовуйте жодні перехідники для роботи із заземленими електроінструментами. Використання штепселів і розеток, у які не вносилися зміни, зменшує ризик ураження електричним струмом.
- б) Уникайте контакту частин тіла із заземленими поверхнями, такими як труби, батареї, плити й холодильники.** У разі заземлення тіла збільшується ризик ураження електричним струмом.
- с) Бережіть електроінструмент від дощу та вологи.** Вода, що потрапила в електроінструмент, підвищує ризик ураження електричним струмом.
- д) Поводьтесь обережно зі шнуром живлення.** Не використовуйте шнур живлення для перенесення чи перетягування інструмента та виймання вилки з розетки. Бережіть шнур живлення від джерел тепла, мастил, гострих країв та рухомих частин. Пошкоджені або заплутані шнури живлення підвищують ризик ураження електричним струмом.
- е) Під час роботи з електроінструментом надворі використовуйте подовжувач, призначений для зовнішніх робіт.** Використання подовжувача, призначеного для зовнішніх робіт, зменшує ризик ураження електричним струмом.
- ф) Якщо роботи з електроінструментом у вологому середовищі не уникнути, скористайтеся пристроєм захисного вимкнення (ПЗВ).**



Використання ПЗВ зменшує ризик ураження електричним струмом.

### **3) ІНДИВІДУАЛЬНА ТЕХНІКА БЕЗПЕКИ**

- a) Під час роботи з електроінструментом будьте уважними, слідкуйте за своїми діями та мисліть розсудливо.** Не працюйте з електроінструментом, якщо ви втомлені або перебуваєте під дією наркотичних речовин, алкоголю або ліків. Навіть миттєва втрата пильності під час роботи з електроінструментами може стати причиною важкої травми.
- b) Використовуйте засоби особистого захисту.** Завжди носіть засоби захисту очей. Використання у відповідних умовах таких захисних засобів, як протипиловий респіратор, неслизьке захисне взуття, шолом-каска і навушники допоможе зменшити ризик травмування.
- c) Уникайте випадкового запуску інструмента.** Перш ніж підключати електроінструмент до мережі живлення чи акумулятора, брати чи переносити його, перевірте, чи встановлено перемичкач у положення «вимкнено». Якщо переносити електроінструмент, тримаючи палець на вимикачі, або підключати його до джерела живлення, коли вимикач перебуває в положенні «увімкнено», це може призвести до травмування.
- d) Перш ніж вмикати електроінструмент, слід зняти всі регулювальні клинці або гайкові ключі.** Якщо залишити такий ключ на рухомій частині електроінструмента, це може призвести до травмування.
- e) Не дотягуйтеся. Завжди міцно стійте на ногах і втримуйте рівновагу.** Це дає змогу краще керувати електроінструментом у разі виникнення непередбачуваних ситуацій.
- f) Одягайтеся належним чином. Не носіть вільний одяг або біжутерію.** Стежте за тим, щоб волосся та одяг не потрапили на рухомі частини. Вільний одяг, біжутерія або довге волосся можуть потрапити в рухомі частини.
- g) Якщо пристрій обладнано системою видалення пилу, переконайтеся, що її правильно підключено і що ви використовуєте її належним чином.** Використання пристрою для збирання пилу може зменшити небезпеку, пов'язану з пилом.
- h) Не дозволяйте навичкам, отриманим після частого використання інструментів, змусити вас стати самовпевненими та ігнорувати принципи безпеки інструмента.** Недбала дія може спричинити серйозну травму протягом долі секунди.
- ### **4) ВИКОРИСТАННЯ ТА ДОГЛЯД ЗА ЕЛЕКТРОІНСТРУМЕНТОМ**
- a) Не застосовуйте силу до електроінструмента.** Використовуйте належний електроінструмент відповідно до потреби. Правильно підібраний електроінструмент допоможе краще і безпечніше зробити роботу зі швидкістю, яка для неї передбачена.
- b) Не використовуйте електроінструмент, якщо перемичкач не вмикає або не вимикає його.** Усі електроінструменти, якими неможливо керувати за допомогою перемичкача, становлять небезпеку й підлягають ремонту.

- c) Перш ніж проводити будь-які налаштування, замінювати аксесуари або перед зберіганням слід вимкнути штепсель із джерела живлення та/або вийняти з інструмента акумулятор, якщо він знімний.** Такі запобіжні заходи техніки безпеки зменшують ризик випадкового запуску електроінструмента.
- d) Зберігайте інструменти, що не використовуються, подалі від дітей і не дозволяйте особам, які не мають досвіду роботи з такими інструментами або не знайомі з цією інструкцією, користуватися електроінструментом.** Електроінструменти становлять небезпеку в руках недосвідчених користувачів.
- e) Доглядайте за електроінструментами та аксесуарами.** Перевіряйте їх на предмет розладнання чи блокування рухомих частин, а також будь-яких обставин, які можуть вплинути на роботу електроінструмента. У разі пошкодження електроінструмент слід здати в ремонт, перш ніж користуватися ним. Часто нещасні випадки трапляються внаслідок неналежного технічного обслуговування електроінструментів.
- f) Тримайте ріжучі інструменти гострими й чистими.** Належним чином доглянуті ріжучі інструменти з гострими ріжучими краями рідше блокуються, і ними легше керувати;
- g) Користуйтеся електроінструментом, аксесуарами та насадками для інструмента згідно з цією інструкцією, зважаючи на робочі умови та роботу, яку слід виконати.** Використання електроінструмента не за призначенням може стати причиною виникнення небезпечних ситуацій.
- h) Підтримуйте руків'я та захватні поверхні сухими, чистими, без жиру і бруду.** Слизькі ручки та захватні поверхні не дають змоги безпечно тримати та керувати інструментом у непередбачених ситуаціях.
- ### **5) КОРИСТУВАННЯ І ДОГЛЯД ЗА АКУМУЛЯТОРНИМ ІНСТРУМЕНТОМ**
- a) Заряджайте лише за допомогою зарядного пристрою, указанного виробником.** Зарядний пристрій, який підходить для акумуляторів одного виду, може спричинити ризик пожежі у випадку його використання з іншим акумулятором.
- b) З електроінструментами слід використовувати лише призначені для них акумуляторні батареї.** Використання будь-яких інших акумуляторних батарей може призвести до травми або пожежі.
- c) Коли батарея не використовується, її слід тримати окремо від металевих предметів, наприклад затискачів для паперу, монет, ключів, цвяхів, шурупів та інших дрібних предметів, які можуть замкнути клеми.** Коротке замикання клем акумулятора може стати причиною опіків чи пожежі.
- d) У надто важких умовах експлуатації з акумулятора може витікати рідина; не доторкайтесь до неї. Якщо випадково ви все ж торкнулися її, слід промити це місце водою. Якщо рідина потрапила в очі, слід також звернутися до лікаря.** Рідина, яка виступає з

акумулятора, може спричинити подразнення або опіки.

- e) **Не використовуйте акумуляторну батарею або інструмент, які пошкоджені або змінені.** Пошкоджені або змінені батареї можуть мати непередбачувану поведінку, що може спричинити пожежу, вибух або ризик травмування.
  - f) **Не піддавайте акумуляторну батарею або інструмент дії вогню або високих температур.** Вогонь або температура вище 130°C може спричинити вибух.
  - g) **Дотримуйтесь усіх інструкцій щодо заряджання та не заряджайте акумуляторну батарею або інструмент за межами температурного діапазону, зазначеного в інструкціях.** Зарядження неналежним чином або при температурах за межами вказаного діапазону може пошкодити акумулятор і збільшити ризик виникнення пожежі.
- 6) СЕРВІС**
- a) **Обслуговування електроінструмента повинен виконувати кваліфікований ремонтник із використанням лише ідентичних запасних частин.** Це забезпечить нормальну роботу електроінструмента.
  - b) **Ніколи не ремонтуйте пошкоджені акумулятори.** Сервісне обслуговування акумуляторних батарей має виконувати лише виробник або авторизовані постачальники послуг.

## **ВКАЗІВКИ З БЕЗПЕКИ ДЛЯ АКУМУЛЯТОРНОГО УДАРНОГО ДРИЛЯ**

- 1) **ВКАЗІВКИ З ТЕХНІКИ БЕЗПЕКИ ПІД ЧАС ВСІХ ВИДІВ ЕКСПЛУАТАЦІЇ**
  - a) **Користуйтеся засобами захисту слуху під час ударного свердління.** Шум може пошкодити слух.
  - b) **Під час роботи, коли робочий інструмент або гвинт може зачепити заховану електропроводку, тримайте електроінструмент за ізольовані рукоятки.** Зачеплення проводки, що знаходиться під напругою, може заряджувати також і металеві частини електроінструмента та призводити до удару електричним струмом.
- 2) **ВКАЗІВКИ З ТЕХНІКИ БЕЗПЕКИ ПІД ЧАС ВИКОРИСТАННЯ ДОВГИХ БІТІВ**
  - a) **Ніколи не перевищуйте максимальну швидкість, для якої призначене свердло.** На підвищеній швидкості свердло може зігнути, коли в нього не має контакту з робочою поверхнею. Це може спричинити травму.
  - b) **Завжди починайте свердлити на низькій швидкості.** При цьому свердло повинно знаходитись у контакті з робочою поверхнею. На підвищеній швидкості свердло може зігнути, коли в нього не має контакту з робочою поверхнею. Це може спричинити травму.
  - c) **Натискайте на інструмент тільки у напрямку свердління і не допускайте надмірного тиску.** Свердла можуть гнутись, що призводить до поломики або втрати контролю і може спричинити травму.

### **ЗАГАЛЬНЕ**

- Пил від таких матеріалів, як фарба з вмістом свинцю, деякі породи дерева, мінерали й

метал, може бути шкідливим (контакт із таким пилом або його вдихання може стати причиною виникнення в оператора або осіб, що перебувають поруч, алергійних реакцій і/або респіраторних захворювань); **надягайте респіратор і працюйте з пиловидальним пристроєм під час роботи з інструментом**

- Деякі види пилу класифікуються як канцерогенні (наприклад, дубовий або буківий пил), особливо в сполученні з добавками для кондиціонування деревини; **надягайте респіратор і працюйте з пиловидальним пристроєм під час роботи з інструментом**
- Дотримуйтесь інструкцій із роботи з матеріалами, що утворюють пил
- **Не обробляйте матеріали, що містять асбест** (асбест вважається канцерогенним)
- Переконайтеся, що бігунець реверсу JO2 перебуває в середньому положенні (блокування) перед виконанням будь-яких регулювань чи заміни приладдя, а також коли ви тримаєте або поклали інструмент

### **АНКСЕСУАРИ**

- SKIL гарантує надійну роботу інструмента тільки при використанні відповідного приладдя
- Використовуйте лише приладдя, припустима швидкість обертання якого як мінімум відповідає найвищій швидкості інструмента без навантаження

### **ПЕРЕД ВИКОРИСТАННЯМ**

- Не допускайте пошкодження, які можуть нанести шурупи, цвяхи та інші елементи вашої заготовки; виділіть їх перед початком роботи
- **Зафіксуйте оброблювану деталь** (оброблювана деталь, зафіксована за допомогою затиснених пристроїв або лещат, закріплюється краще, ніж вручну)
- **Використовуйте придатні пошукові прилади для знаходження захованих в будівлі труб та кабелів або зверніться за допомогою в місцеве підприємство електро-, газо- та водопостачання** (зачеплення електропроводки може призводити до пожежі та удару електричним струмом; зачеплення газової труби може призводити до вибуху; зачеплення водопровідної труби може завдати шкоду матеріальним цінностям або призводити до удару електричним струмом)

### **БАТАРЕЇ**

- **Акумулятор, який постачається в комплекті (якщо є), є частково зарядженим** (повністю зарядьте акумулятор у зарядному пристрої перед першим використанням свого електроінструмента, щоб забезпечити повну потужність акумулятора)
- **Використовуйте з інструментом тільки такі акумулятори і зарядні пристрої**
  - Акумулятор SKIL: BR1\*31\*\*\*\*
  - Зарядний пристрій SKIL: CR1\*31\*\*\*\*
- Не використовуйте пошкоджений акумулятор; негайно від'єднайте його від інструмента
- Не розбирайте акумулятор
- Включіть можливість потрапляння дощу на інструмент або акумулятор
- Дозволена температура довкілля (інструмент/зарядний пристрій/акумулятор):
  - під час зарядження 4...40°C
  - під час роботи -20...+50°C
  - під час зберігання -20...+50°C

## ПОЯСНЕННЯ ДО УМОВНИХ ПОЗНАЧЕНЬ НА ІНСТРУМЕНТІ/АКУМУЛЯТОРІ

- ③ Перед використанням прочитайте інструкцію із застосування
- ④ При влученні у вогонь батареї вибухають, тому в жодному разі не спалюйте батареї
- ⑤ Зберігайте інструмент/зарядний пристрій/ акумулятор при температурі не більшій 50°C
- ⑥ Не викидайте електроінструмент і батареї разом зі звичайним сміттям

## ВИКОРИСТАННЯ

- Комбінований перемикач для вмикання/вимикання та керування обертаннями А ②
  - плавно керує обертаннями від нуля до максимальних залежності від сили натискання на перемикач
- Заряджання акумулятора
  - ! **ознайомтеся з попередженнями і вказівками з техніки безпеки, які надаються із зарядним пристроєм**
- Зняття/установлення акумулятора ②
- Індикатор рівня заряду акумулятора ⑦
  - натисніть кнопку індикатора рівня заряду акумулятора М, щоб побачити поточний рівень заряду ⑦а
  - ! **якщо після натискання кнопки М ⑦b починає блимати індикатор найнижчого рівня заряду акумулятора, то акумулятор розряджено**
  - ! **коли 2 рівні індикатора заряду акумулятора починають блимати після натискання кнопки М ⑦c, акумулятор перебуває за межами допустимого діапазону робочих температур**
- Зміна напрямку обертання ⑧
  - при неправильній установці в ліве/праве положення перемикач А ② не спрацює
  - ! **мініайте напрямком обертання тільки при повній зупинці інструмента**
- Заміна насадок ⑨
  - ! **не використовуйте насадки з пошкодженням стовбуром**
- Регулювання моменту обертання (VariTorque) ⑩
  - вихідний момент обертання буде зростати, якщо крутити кулачок В від 1 до 17
  - коли вгвинчуєте саморіз спочатку спробуйте першу позицію VariTorque 1, потім починайте нарощувати, поки потрібна глибина вкручування не буде досягнута
  - в положенні D муфта буде заблокована, що дозволить виконувати (безударне) свердління та туге загвинчування
  - в положенні С муфта буде заблокована, що дозволить виконувати тільки свердління з ударом
  - ! **переконайтесь, що перемикач швидкості G переведений в положення 2, коли кільце муфти F перебуває в положенні для ударного свердління**
  - ! **не використовуйте положення для свердління з ударом С для свердління по дереву, металу, кераміці та пластику, щоб попередити пошкодження свердла/гвинта**
- Механічне перемикачання швидкості ⑪
  - увімкніть перемикачем G потрібну вам швидкість
  - ! **перемикайте перемикач швидкості під час**

## повільного обертання

1

- низька швидкість
- високий крутний момент
- для загвинчування та свердління великих діаметрів
- для нанесення різьби

2

- висока швидкість
- малий крутний момент
- для ударного свердління
- для свердління малих діаметрів

- WORKLIGHT К ⑫
  - РОБОЧА ЛАМПА К світитиметься, коли інструмент увімкнено.

! **коли РОБОЧА ЛАМПА починає блимати, активуйте захист акумулятора (див. нижче)**

- Захист акумулятора
  - Інструмент раптово вимикається або не вмикається, якщо
    - **навантаження занадто високе** -> приборіть навантаження і перезавантажте
    - **температура акумулятора не перебуває в допустимому діапазоні робочих температур від -20 до +50°C** -- > 2 рівні індикатора заряду акумулятора починають блимати під час натискання кнопки М ⑦c; зачекайте, доки акумулятор не повернеться в допустимий діапазон робочих температур
    - **батарею майже розряджено (для захисту від глибокого розряду)** --> низький рівень заряду батареї або блимання низького рівня заряду батареї ⑦b показано індикатором рівня заряду батареї під час натискання кнопки М; зарядіть акумулятор
    - ! **не продовжуйте роботу та не натискайте вмикач після автоматичного вимкнення інструмента; такими діями можна пошкодити акумулятор**
- Утримування і робота інструментом ⑬
  - ! **під час роботи завжди тримайте інструмент за області захвату сірого кольору**
  - тримайте вентиляційні отвори Н ② незакритими
  - не тисніть на інструмент; дайте інструменту можливість працювати за вас

## ПОРАДИ ПО ВИКОРИСТАННЮ

- Використовуйте відповідні насадки ⑭
  - ! **не використовуйте тупі насадки**
- Свердління чорних металів
  - попередньо просвердіть отвір меншого діаметру, якщо необхідний отвір великого розміру
  - час від часу змащуйте свердла маслом
- При вгвинчуванні шурупів у поперечний зріз дерева або біля нього або в кромку дерева необхідно спочатку просвердіти отвір, щоб запобігти розколу деревини
- Для оптимального вгвинчування необхідно створювати постійний тиск на інструмент, коли вгвинчуєте тиснути треба сильніше
- Коли працюєте з особливо твердими породами дерев необхідно зробити попереднє просвердлювання
- Свердління деревини без виривання скалок ⑮
- Свердління в стінах без пилу ⑯

- Свердління в стелях без пилу ①
- Свердління плитки без ковзання ②
- Дивіться додаткову інформацію на сайті [www.skil.com](http://www.skil.com)

## ДОГЛЯД/ОБСЛУГОВУВАННЯ

- Цей інструмент не придатний для промислового використання
- Завжди тримайте інструмент у чистоті (особливо вентиляційні отвори Н ②)
- ! **виймайте акумулятор з інструмента перед очищенням**
- Якщо незважаючи на ретельну технологію виготовлення і перевірки інструмент все-таки вийде з ладу, його ремонт дозволяється виконувати лише в авторизованій сервісній майстерні для електроприладів SKIL
  - надішліть нерозібраний інструмент разом із доказом купівлі до свого дилера або до найближчого центру обслуговування SKIL (адреси, а також схема для обслуговування пристрою, подаються на сайті [www.skil.com](http://www.skil.com))
- Візьміть до відома, що ушкодження внаслідок перевантаження або неналежного поводження з інструментом не будуть включені в гарантію (умови гарантії SKIL див. на сайті [www.skil.com](http://www.skil.com) або довідайтеся в дилера у Вашому регіоні)

## ОХОРОНА ДОВКІЛЛЯ

- **Не викидайте електроінструмент, акумулятори, ансесуари та упакування разом зі звичайним сміттям** (тільки для країн ЄС)
  - відповідно до європейської директиви 2012/19/ЄС щодо утилізації старих електричних та електронних приладів, згідно з місцевим законодавством, електроінструмент, який перебував в експлуатації, має бути утилізований окремо, безпечним для довкілля шляхом
  - символ ⑥ нагадує вам про це, коли виникне необхідність в утилізації
- ! **перед тим як позбутися акумулятора: заклейте грубою клейкою стрічкою клемми, щоб запобігти короткому замиканню**

## ШУМ / ВІБРАЦІЯ

- Рівень звукового тиску цього інструмента, який вимірюється відповідно до EN 62841, становить 90 дБ(А), рівень звукової потужності 98 дБ(А) (похибка K = 5 дБ), а вібрація (векторна сума трьох осей; похибка K = 1,5 м/с<sup>2</sup>)
  - \* свердління в металі 12,41 м/с<sup>2</sup>
  - \* при ударному свердлінні в бетоні 14,49 м/с<sup>2</sup>
- Рівень вібрації було виміряно у відповідності зі стандартизованим випробуванням, що міститься в EN 62841; дана характеристика може використовуватися для порівняння одного інструмента з іншим, а також для попередньої оцінки впливу вібрації під час застосування даного інструмента для вказаних цілей
  - у разі використання інструмента в інших цілях або з іншими/несправними допоміжними пристосуваннями рівень впливу вібрації може

значно **підвищуватися**

- у періоди, коли інструмент вимкнений або функціонує без фактичного виконання роботи, рівень впливу вібрації може значно **знижуватися**
- ! **захищайте себе від впливу вібрації, підтримуючи інструмент і його допоміжні пристосування в справному стані, підтримуючи руки в теплі, а також правильно організовуючи свій робочий процес**

GR

## Κρουστικό δράπανο χωρίς ψήκτρες 3021

### ΕΙΣΑΓΩΓΗ

- Αυτό το εργαλείο προορίζεται για το βίδωμα και το ξεβίδωμα βιδών, καθώς και για τη διάτρηση ξύλου, κεραμικού και πλαστικού και για την κρουστική διάτρηση τούβλου.
- Αυτό το εργαλείο δεν προορίζεται για επαγγελματική χρήση.
- Διαβάστε και φυλάξτε αυτό το εγχειρίδιο οδηγιών.③

### ΤΕΧΝΙΚΑ ΧΑΡΑΚΤΗΡΙΣΤΙΚΑ ①

Μέγιστη ροπή στρέψης για σκληρό βίδωμα κατά ISO 5393: 55 Nm

### ΣΤΟΙΧΕΙΑ ΤΟΥ ΕΡΓΑΛΕΙΟΥ ②

- A** Διακόπτης ενεργοποίησης/απενεργοποίησης και ελέγχου ταχύτητας
- B** Δακτύλιδοι ελέγχου ροπής στρέψης
- C** Θέση κρουστικής διάτρησης
- D** Θέση διάτρησης
- E** Θέση βιδώματος
- F** Διακόπτης αλλαγής λειτουργίας
- G** Επιλογέας ταχύτητας
- H** Σχισμές εξαρτισμού
- J** Διακόπτης αλλαγής κατεύθυνσης περιστροφής
- K** ΦΩΣ ΕΡΓΑΣΙΑΣ
- L** Τσोक
- M** Κουμπί ένδειξης κατάστασης μπαταρίας
- N** Διπλή μύτη

### ΑΣΦΑΛΕΙΑ

#### ΓΕΝΙΚΕΣ ΠΡΟΕΙΔΟΠΟΙΗΣΕΙΣ ΑΣΦΑΛΕΙΑΣ ΓΙΑ ΗΛΕΚΤΡΙΚΑ ΕΡΓΑΛΕΙΑ

**ΠΡΟΕΙΔΟΠΟΙΗΣΗ** Μελετήστε όλες τις προειδοποιήσεις ασφάλειας, τις οδηγίες, τις εικόνες και τις προδιαγραφές που συνοδεύουν αυτό το ηλεκτρικό εργαλείο. Εάν δεν τηρηθούν όλες οι οδηγίες που αναφέρονται παρακάτω, μπορεί να προκληθεί ηλεκτροπληξία, πυρκαγιά και/ή σοβαρός τραυματισμός.

**Φυλάξτε όλες τις προειδοποιήσεις και τις οδηγίες για μελλοντική αναφορά.**

Ο όρος «ηλεκτρικό εργαλείο» στις προειδοποιήσεις αναφέρεται στο ηλεκτρικό σας εργαλείο, το οποίο

λειτουργεί είτε με σύνδεση σε πρίζα (ενσύρματα) είτε με συστοιχία μπαταριών (ασύρματα).

### 1) ΑΣΦΑΛΕΙΑ ΣΤΟ ΧΩΡΟ ΕΡΓΑΣΙΑΣ

- a) **Διατηρείτε το χώρο εργασίας καθαρό και καλά φωτισμένο.** Οι ακατάστατοι χώροι και οι χώροι με κακό φωτισμό ενισχύουν την πιθανότητα ατυχημάτων.
  - b) **Μην χρησιμοποιείτε ηλεκτρικά εργαλεία σε εκρηκτική ατμόσφαιρα, για παράδειγμα, παρουσία εργαλεία δημιουργούν σπινθήρες που μπορεί να αναφλέξουν τη σκόνη ή τις αναθυμιάσεις.**
  - c) **Διατηρείτε τα παιδιά και τους παρευρισκόμενους μακριά, όταν χρησιμοποιείτε το ηλεκτρικό εργαλείο.** Εάν κάτι αποσπάσει την προσοχή σας, μπορεί να χάσετε τον έλεγχο.
- ### 2) ΗΛΕΚΤΡΙΚΗ ΑΣΦΑΛΕΙΑ
- a) **Το φως του ηλεκτρικού εργαλείου πρέπει να ταιριάζει στην πρίζα. Μην τροποποιήσετε ποτέ και με κανέναν τρόπο το φως. Μην χρησιμοποιείτε κανενός είδους φως προσαρμογών με γειωμένα ηλεκτρικά εργαλεία.** Τα μη τροποποιημένα φως και οι κατάλληλες πρίζες μειώνουν τον κίνδυνο ηλεκτροπληξίας.
  - b) **Αποφεύγετε την επαφή με γειωμένες επιφάνειες, όπως σωλήνες, θερμαντικά σώματα, εστίες και ψυγεία.** Υπάρχει αυξημένος κίνδυνος ηλεκτροπληξίας όταν το σώμα σας είναι γειωμένο.
  - c) **Μην εκθέτετε τα ηλεκτρικά εργαλεία σε βροχή ή υγρασία.** Εάν εισχωρήσει νερό στο ηλεκτρικό εργαλείο θα αυξηθεί ο κίνδυνος ηλεκτροπληξίας.
  - d) **Μην κακομεταχειρίζεστε το καλώδιο. Μην χρησιμοποιείτε ποτέ το καλώδιο για να μεταφέρετε, να τραβήξετε ή να αποσυνδέσετε το ηλεκτρικό εργαλείο από την πρίζα. Διατηρείτε το καλώδιο μακριά από θερμότητα, λάδια, αιχμηρές γωνίες ή κινούμενα εξαρτήματα.** Τα κατεστραμμένα ή μπλεγμένα καλώδια αυξάνουν τον κίνδυνο ηλεκτροπληξίας.
  - e) **Όταν χρησιμοποιείτε ένα ηλεκτρικό εργαλείο σε εξωτερικό χώρο, χρησιμοποιείτε καλώδιο προέκτασης κατάλληλο για χρήση σε εξωτερικούς χώρους.** Τα καλώδια που είναι κατάλληλα για εξωτερικούς χώρους περιορίζουν τον κίνδυνο ηλεκτροπληξίας.
  - f) **Εφόσον δεν μπορείτε να αποφύγετε τη χρήση του ηλεκτρικού εργαλείου σε περιοχή με υγρασία, χρησιμοποιείτε τροφοδοσία με διάταξη προστασίας ρεύματος διαρροής (RCD). Η χρήση διάταξης RCD μειώνει τον κίνδυνο ηλεκτροπληξίας.**
- ### 3) ΠΡΟΣΩΠΙΚΗ ΑΣΦΑΛΕΙΑ
- a) **Να βρίσκεστε πάντα σε εγρήγορση, να προσέχετε τι κάνετε και να εφαρμόζετε κοινή λογική** όταν χρησιμοποιείτε ηλεκτρικά εργαλεία. Μην χρησιμοποιείτε κανένα ηλεκτρικό εργαλείο όταν είστε κουρασμένοι ή υπό την επήρεια ναρκωτικών, αλκοόλ ή φαρμάκων. Όταν χρησιμοποιείτε ηλεκτρικά εργαλεία, μια στιγμή απροσεξίας μπορεί να προκαλέσει σοβαρό τραυματισμό.
  - b) **Χρησιμοποιείτε μέσα ατομικής προστασίας. Φοράτε πάντα προστατευτικά γυαλιά.** Τα μέσα ατομικής προστασίας, όπως η μάσκα σκόνης, τα αντιολισθητικά παπούτσια, το κράνος ή η

ωτοπροστασία, που χρησιμοποιούνται στις κατάλληλες περιστάσεις, μειώνουν τον κίνδυνο τραυματισμών.

- c) **Λαμβάνετε μέτρα για να μην ενεργοποιηθεί κατά λάθος το ηλεκτρικό εργαλείο. Βεβαιώνετε ότι ο διακόπτης βρίσκεται στη θέση απενεργοποίησης (OFF) προτού να συνδέσετε το ηλεκτρικό εργαλείο στο ρεύμα καλή στη συστοιχία μπαταριών, ή όταν σκλώνετε ή μεταφέρετε το εργαλείο.** Μην μεταφέρετε το ηλεκτρικό εργαλείο με το δάκτυλο στο διακόπτη και μην συνδέετε το ηλεκτρικό εργαλείο στην πρίζα με ανοικτό το διακόπτη, διότι ενέχει κίνδυνος ατυχήματος.
  - d) **Προτού ενεργοποιήσετε το ηλεκτρικό εργαλείο, αφαιρείτε οποιοδήποτε εργαλείο ή κλειδί ρύθμισης.** Εάν το εργαλείο ή το κλειδί ρύθμισης παραμείνει επάνω στο περιστρεφόμενο μέρος του ηλεκτρικού εργαλείου, μπορεί να προκληθεί τραυματισμός.
  - e) **Μην τεντώνετε υπερβολικά για να πραγματοποιήσετε την εργασία. Πατάτε πάντα σταθερά και διατηρείτε την ισορροπία σας.** Έτσι θα ελέγχετε καλύτερα το ηλεκτρικό εργαλείο σε περίπτωση απροσδόκητων καταστάσεων.
  - f) **Φοράτε κατάλληλα ρούχα. Μην φοράτε φαρδιά ρούχα ή κοσμήματα. Διατηρείτε τα μαλλιά και τα ρούχα σας μακριά από κινούμενα μέρη.** Τα φαρδιά ρούχα, τα κοσμήματα ή τα μακριά μαλλιά ενδέχεται να εμπλακούν σε κινούμενα μέρη.
  - g) **Εάν υπάρχει δυνατότητα σύνδεσης συσκευών απομάκρυνσης και συλλογής της σκόνης, βεβαιωθείτε ότι αυτές οι συσκευές έχουν συνδεθεί και χρησιμοποιούνται σωστά.** Αυτές οι συσκευές μπορούν να περιορίσουν τους κίνδυνους που σχετίζονται με τη σκόνη.
  - h) **Ακόμα κι εάν χρησιμοποιείτε συχνά ηλεκτρικά εργαλεία, μην εφησυχάζετε και μην παραβλέπετε τις βασικές αρχές ασφαλείας.** Μια στιγμή απροσεξίας μπορεί να οδηγήσει σε σοβαρό τραυματισμό.
- ### 4) ΧΡΗΣΗ ΚΑΙ ΦΡΟΝΤΙΔΑ ΤΟΥ ΗΛΕΚΤΡΙΚΟΥ ΕΡΓΑΛΕΙΟΥ
- a) **Μην ζορίζετε το ηλεκτρικό εργαλείο. Χρησιμοποιείτε το κατάλληλο ηλεκτρικό εργαλείο για την εκάστοτε εργασία.** Η εργασία θα πραγματοποιηθεί καλύτερα και ασφαλέστερα, εφόσον χρησιμοποιηθεί το κατάλληλο ηλεκτρικό εργαλείο στην ταχύτητα για την οποία έχει σχεδιαστεί.
  - b) **Μην χρησιμοποιήσετε το ηλεκτρικό εργαλείο εάν δεν μπορείτε να το ενεργοποιήσετε και να το απενεργοποιήσετε από τον διακόπτη. Οποιοδήποτε ηλεκτρικό εργαλείο δεν επιδέχεται έλεγχο από το διακόπτη είναι επικίνδυνο και απαιτεί επισκευή.**
  - c) **Αποσυνδέετε το φως από την πηγή ρεύματος και/ή αφαιρείτε τη συστοιχία μπαταριών, εφόσον είναι αποσπώμενη, από το ηλεκτρικό εργαλείο προτού να κάνετε οποιαδήποτε ρύθμιση, αλλάξετε παρελκόμενα ή το αποθηκεύσετε.** Χάρη σε τέτοια προληπτικά μέτρα περιορίζεται ο κίνδυνος να ενεργοποιηθεί κατά λάθος το ηλεκτρικό εργαλείο.
  - d) **Αποθηκεύετε τα ηλεκτρικά εργαλεία που δεν χρησιμοποιείτε σε μέρος όπου δεν έχουν πρόσβαση τα παιδιά και μην αφήνετε άτομα που δεν είναι εξοικειωμένα με το ηλεκτρικό εργαλείο**

ή αυτές τις οδηγίες να το χρησιμοποιήσουν. Τα ηλεκτρικά εργαλεία είναι επικίνδυνα στα χέρια ατόμων που δεν έχουν εκπαιδευτεί στη χρήση τους.

- e) **Συντηρείτε τα ηλεκτρικά εργαλεία και τα παρελκόμενα. Ελέγχετε για κακή ευθυγράμμιση ή εμπλοκή των κινούμενων μερών, για σπασμένα εξαρτήματα και για οποιαδήποτε άλλη κατάσταση που μπορεί να επηρεάσει τη λειτουργία του ηλεκτρικού εργαλείου. Εάν έχει υποστεί ζημιά το ηλεκτρικό εργαλείο, επισκευάστε το προτού να το χρησιμοποιήσετε. Πολλά ατυχήματα οφείλονται σε πλημμελώς συντηρημένα ηλεκτρικά εργαλεία.**
- f) **Διατηρείτε τα εργαλεία κοπής αιχμηρά και καθαρά.** Τα εργαλεία κοπής που έχουν συντηρηθεί σωστά και διαθέτουν αιχμηρές κόψεις είναι λιγότερο πιθανό να μπλοκάρουν, ενώ ο έλεγχός τους είναι ευκολότερος.
- g) **Χρησιμοποιείτε το ηλεκτρικό εργαλείο, τα παρελκόμενα, τις μύτες, κτλ., σύμφωνα με αυτές τις οδηγίες, λαμβάνοντας υπόψη τις συνθήκες εργασίας και την προς εκτέλεση εργασία.** Η χρήση ενός ηλεκτρικού εργαλείου για λειτουργίες διαφορετικές από αυτές για τις οποίες προορίζεται μπορεί να οδηγήσει σε επικίνδυνες καταστάσεις.
- h) **Διατηρείτε τις λαβές και τις επιφάνειες συγκράτησης του εργαλείου στεγνές και καθαρές, χωρίς λάδια και γράσα.** Εάν γλιστρούν οι λαβές και οι επιφάνειες συγκράτησης δε θα μπορέσετε να χειριστείτε με ασφάλεια το εργαλείο, ούτε θα μπορέσετε να το ελέγξετε σε περίπτωση που προκύψει κάποια απροσδόκητη κατάσταση.
- 5) **ΧΡΗΣΗ ΚΑΙ ΦΡΟΝΤΙΔΑ ΗΛΕΚΤΡΙΚΩΝ ΕΡΓΑΛΕΙΩΝ ΜΠΑΤΑΡΙΑΣ**
  - a) **Επαναφορτίζετε το ηλεκτρικό εργαλείο μόνο με το φορτιστή που έχει καθορίσει ο κατασκευαστής.** Οι φορτιστές που είναι κατάλληλοι για έναν συγκεκριμένο τύπο συστοιχίας μπαταριών μπορεί να προκαλέσουν πυρκαγιά εάν χρησιμοποιηθούν για κάποιον άλλον τύπο.
  - b) **Χρησιμοποιείτε το ηλεκτρικό εργαλείο μόνο με τη συγκεκριμένη συστοιχία μπαταριών που προορίζεται για αυτό.** Εάν χρησιμοποιηθεί οποιαδήποτε άλλη συστοιχία μπαταριών, μπορεί να προκληθεί τραυματισμός και πυρκαγιά.
  - c) **Όταν η συστοιχία μπαταριών δεν χρησιμοποιείται, φυλάσσετε την μακριά από μεταλλικά αντικείμενα, όπως, συνδετήρες, κέρματα, κλειδιά, καρφιά, βίδες ή άλλα μικρά μεταλλικά αντικείμενα, τα οποία μπορεί να δημιουργήσουν σύνδεση μεταξύ των ακροδεκτών.** Το βραχυκύκλωμα των ακροδεκτών της συστοιχίας μπαταριών μπορεί να προκαλέσει εγκαύματα ή πυρκαγιά.
  - d) **Σε συνθήκες κακής χρήσης, μπορεί να διαρρεύσει υγρό από τη συστοιχία μπαταριών. Αποφύγετε την επαφή με αυτό. Σε περίπτωση τυχαιάς επαφής, ξεπλύνετε καλά με νερό. Εάν το υγρό έρθει σε επαφή με τα μάτια, απευθυνθείτε επιπρόσθετα σε γιατρό.** Το υγρό που διαρρέει από τη συστοιχία μπαταριών μπορεί να προκαλέσει ερεθισμό ή εγκαύματα.
  - e) **Μην χρησιμοποιείτε τη συστοιχία μπαταριών ή το εργαλείο εάν έχουν υποστεί ζημιά ή έχουν τροποποιηθεί.** Οι συστοιχίες μπαταριών που έχουν

υποστεί ζημιά ή έχουν τροποποιηθεί μπορεί να έχουν απρόβλεπτη συμπεριφορά και να προκαλέσουν πυρκαγιά, έκρηξη ή τραυματισμό.

- f) **Η συστοιχία μπαταριών και το ηλεκτρικό εργαλείο δεν πρέπει να εκτίθενται σε φωτιά ή υπερβολικά υψηλές θερμοκρασίες.** Η έκθεση σε φωτιά ή θερμοκρασία πάνω από 130 °C μπορεί να προκαλέσει έκρηξη.
- g) **Τηρείτε όλες τις οδηγίες φόρτισης και μη φορτίζετε τη συστοιχία μπαταριών ή το ηλεκτρικό εργαλείο εκτός του εύρους θερμοκρασίας που καθορίζεται στις οδηγίες.** Εάν η φόρτιση δε γίνει σωστά ή πραγματοποιηθεί σε θερμοκρασία εκτός του καθορισμένου εύρους, η συστοιχία μπαταριών μπορεί να υποστεί ζημιά και να αυξηθεί ο κίνδυνος πυρκαγιάς.
- 6) **ΣΕΡΒΙΣ**
  - a) **Το ηλεκτρικό εργαλείο πρέπει να επισκευάζεται μόνο από εξειδικευμένο επαγγελματία, χρησιμοποιώντας μόνο πανομοιότυπα ανταλλακτικά.** Έτσι, το ηλεκτρικό σας εργαλείο θα παραμείνει ασφαλές.
  - b) **Μην επιχειρήσετε ποτέ να επισκευάσετε συστοιχία μπαταριών που έχει υποστεί ζημιά.** Η συστοιχία μπαταριών πρέπει να επισκευάζεται μόνο από τον κατασκευαστή ή από εξουσιοδοτημένα κέντρα σέρβις.

#### **ΟΔΗΓΙΕΣ ΑΣΦΑΛΕΙΑΣ ΓΙΑ ΑΣΥΡΜΑΤΑ ΚΡΟΥΣΤΙΚΑ ΔΡΑΠΑΝΑ**

- 1) **ΟΔΗΓΙΕΣ ΑΣΦΑΛΕΙΑΣ ΓΙΑ ΟΛΕΣ ΤΙΣ ΕΡΓΑΣΙΕΣ**
  - a) **Φοράτε ωτοπροστασία κατά την κρουστική διάτρηση.** Η έκθεση στο θόρυβο μπορεί να προκαλέσει απώλεια ακοής.
  - b) **Κρατάτε το ηλεκτρικό εργαλείο από τις μονωμένες λαβές, όταν πραγματοποιείτε εργασίες όπου το εξαρτηματο κοπής ή ο σφικτήρας μπορεί να έρθει σε επαφή με κρυφές καλωδιώσεις.** Η επαφή των εξαρτημάτων κοπής και των σφικτήρων με ηλεκτροφόρο αγωγό μπορεί να θέσει τα μεταλλικά μέρη του ηλεκτρικού εργαλείου επίσης υπό τάση και προκαλέσει έτσι ηλεκτροπληξία του χειριστή.
- 2) **ΟΔΗΓΙΕΣ ΑΣΦΑΛΕΙΑΣ ΚΑΤΑ ΤΗ ΧΡΗΣΗ ΤΡΥΠΑΝΙΩΝ ΜΕΓΑΛΟΥ ΜΗΚΟΥΣ**
  - a) **Μην χρησιμοποιείτε ποτέ το εργαλείο σε υψηλότερες στροφές από τις μέγιστες ονομαστικές στροφές της μύτης.** Σε υψηλότερες ταχύτητες, η μύτη μπορεί να λυγίσει εάν περιστραφεί ελεύθερα χωρίς να βρίσκεται σε επαφή με το τεμάχιο επεξεργασίας, προκαλώντας τραυματισμό.
  - b) **Ξεκινάτε πάντα τη διάτρηση με χαμηλή ταχύτητα και με τη μύτη του τρυπανιού σε επαφή με το τεμάχιο επεξεργασίας.** Σε υψηλότερες ταχύτητες, η μύτη μπορεί να λυγίσει εάν περιστραφεί ελεύθερα χωρίς να βρίσκεται σε επαφή με το τεμάχιο επεξεργασίας, προκαλώντας τραυματισμό.
  - c) **Ασκείτε πίεση μόνο στην ίδια ευθεία με τη μύτη και να μην ασκείτε υπερβολικά μεγάλη πίεση.** Η μύτη μπορεί να λυγίσει και να προκαλέσει θραύση ή απώλεια ελέγχου, με συνέπεια τραυματισμό.

#### **ΓΕΝΙΚΑ**

- Η σκόνη από υλικά, όπως βαφές που περιέχουν

μόλυβδο, ορισμένα είδη ξύλου, ορυκτά και μέταλλα μπορεί να είναι επιβλαβή (η επαφή ή η εισπνοή της σκόνης μπορεί να προκαλέσει αλλεργικές αντιδράσεις ή/και αναπνευστικές ασθένειες στο χειριστή ή σε παριστάμενους). **Φοράτε μάσκα προστασίας από τη σκόνη και χρησιμοποιείτε συσκευή αναρρόφησης σκόνης, εφόσον επιδέχεται σύνδεση**

- Ορισμένα είδη σκόνης ταξινομούνται ως καρκινογόνα (όπως σκόνη από δρυ ή οξιά) ιδιαίτερα σε συνδυασμό με πρόσθετα συντήρησης ξύλου. **Φοράτε μάσκα προστασίας από τη σκόνη και χρησιμοποιείτε συσκευή αναρρόφησης σκόνης, εφόσον επιδέχεται σύνδεση**
- Ακολουθείτε τις σχετικές με σκόνη εθνικές διατάξεις για τα υλικά που θέλετε να χρησιμοποιήσετε
- **Μην κατεργάζεστε υλικά που περιέχουν αμιάντο** (ο αμιάντος θεωρείται καρκινογόνος)
- Βεβαιωθείτε ότι ο διακόπτης JO2 βρίσκεται στη μεσαία θέση (ασφάλιση), προτού πραγματοποιήσετε οποιαδήποτε ρύθμιση, αλλάξετε παρελκόμενα, μεταφέρετε ή αποθηκεύσετε το ηλεκτρικό εργαλείο

#### ΠΑΡΕΛΚΟΜΕΝΑ

- Η SKIL εγγυάται την απρόσκοπτη λειτουργία του ηλεκτρικού εργαλείου μόνο εφόσον χρησιμοποιούνται γνήσια παρελκόμενα
- Χρησιμοποιείτε μόνο παρελκόμενα των οποίων η επιτρεπόμενη ταχύτητα ισούται τουλάχιστον με τη μέγιστη ταχύτητα χωρίς φορτίο του ηλεκτρικού εργαλείου

#### ΠΡΙΝ ΑΠΟ ΤΗ ΧΡΗΣΗ

- Αποφεύγετε ζημιές από βίδες, καρφία και άλλα στοιχεία που ενδέχεται να υπάρχουν στο τεμάχιο επεξεργασίας, αφαιρώντας τα προτού ξεκινήσετε την εργασία
- **Ασφαλίστε το τεμάχιο επεξεργασίας** (αυτό συγκρατείται καλύτερα με σφιγκτήρες ή μέγγενη σε αντίθεση με τα χέρια)
- **Χρησιμοποιείτε κατάλληλες συσκευές ανίχνευσης για να εντοπίσετε κρυφές γραμμές ρεύματος, αερίου ή νερού ή επικινδυνότε με τις τοπικές επιχειρήσεις κοινής ωφελείας για βοήθεια** (η επαφή με καλώδια ρεύματος μπορεί να οδηγήσει σε πυρκαγιά ή ηλεκτροπληξία. ενώ οι ζημιές σε αγωγούς αερίου μπορεί να οδηγήσουν σε έκρηξη, και η διάτρηση ενός σωλήνα νερού θα προκαλέσει υλικές ζημιές ή ηλεκτροπληξία)

#### ΜΠΑΤΑΡΙΕΣ

- **Η παρεχόμενη συστοιχία μπαταριών είναι μερικώς φορτισμένη** (για να διασφαλιστεί η μέγιστη ισχύς της συστοιχίας μπαταριών, φορτίστε την πλήρως με τον φορτιστή της πριν από τη χρήση του ηλεκτρικού εργαλείου σας για πρώτη φορά)
- **Χρησιμοποιείτε μόνο τις ακόλουθες συστοιχίες μπαταριών και τους φορτιστές**
  - Συστοιχία μπαταριών SKIL: BR1\*31\*\*\*\*
  - Φορτιστής SKIL: CR1\*31\*\*\*\*
- Μην χρησιμοποιείτε τη συστοιχία μπαταριών όταν έχει υποστεί βλάβη. Πρέπει να την αντικαθιστάτε αμέσως
- Μην αποσυρμολογείτε τη συστοιχία μπαταριών
- Μην εκθέτετε το εργαλείο / τη συστοιχία μπαταριών στη βροχή
- Επιτρεπόμενη θερμοκρασία περιβάλλοντος (εργαλείο/φορτιστής/συστοιχία μπαταριών):
  - κατά τη διάρκεια της φόρτισης 4...40°C
  - κατά τη διάρκεια της λειτουργίας -20...+50°C
  - κατά τη διάρκεια της αποθήκευσης -20...+50°C

#### ΕΠΕΞΗΓΗΣΗ ΣΥΜΒΟΛΩΝ ΣΤΟ ΕΡΓΑΛΕΙΟ / ΤΗΝ ΜΠΑΤΑΡΙΑ

- ③ Διαβάστε το εγχειρίδιο οδηγιών πριν από τη χρήση
- ④ Οι συστοιχίες μπαταριών εκρηγνύνται εάν απορριφθούν στη φωτιά, συνεπώς, μην καίτε τις μπαταρίες για κανένα λόγο
- ⑤ Αποθηκεύετε το εργαλείο / το φορτιστή / τη συστοιχία μπαταριών σε μέρη όπου η θερμοκρασία δεν θα ξεπεράσει τους 50°C
- ⑥ Μην απορρίπτετε τα ηλεκτρικά εργαλεία και τις συστοιχίες μπαταριών στα οικιακά απορρίμματα

#### ΧΡΗΣΗ

- Συνδυασμένος διακόπτης για ενεργοποίηση/απενεργοποίηση και έλεγχο ταχύτητας A ②
  - ρυθμίστε αβαθμίδωτα την ταχύτητα από το μηδέν έως τη μέγιστη, πιέζοντας ανάλογα περισσότερο ή λιγότερο τη σκανδάλη
- Φόρτιση της συστοιχία μπαταριών
  - ! **διαβάστε τις προειδοποιήσεις ασφαλείας και τις οδηγίες που παρέχονται με το φορτιστή**
- Απομάκρυνση/τοποθέτηση της συστοιχία μπαταριών ②
- Ένδειξη κατάστασης μπαταρίας ⑦
  - πιέστε το κουμπί ένδειξης κατάστασης μπαταρίας M για να εμφανίσετε την τρέχουσα κατάσταση της μπαταρίας ⑦a
  - ! **εάν αρχίσει να αναβοσβήνει το κατώτατο επίπεδο της ένδειξης κατάστασης μπαταρίας μετά το πάτημα του κουμπιού M ⑦b, τότε η μπαταρία είναι άδεια**
  - ! **εάν αρχίσουν να αναβοσβήνουν 2 επίπεδα της ένδειξης κατάστασης μπαταρίας μετά το πάτημα του κουμπιού M ⑦c, τότε η μπαταρία δε βρίσκεται εντός του επιτρεπόμενου εύρους θερμοκρασίας λειτουργίας**
- Αλλαγή κατεύθυνσης περιστροφής ⑧
  - εάν δεν έχει ρυθμιστεί σωστά στην αριστερή/δεξιά θέση, ο διακόπτης A ② δεν μπορεί να ενεργοποιηθεί
  - ! **αλλάξετε κατεύθυνση περιστροφής μόνο εφόσον το εργαλείο έχει ακινητοποιηθεί πλήρως**
- Αλλαγή μυτών ⑨
  - ! **μην χρησιμοποιείτε μύτες με φθαρμένο στέλεχος**
- Έλεγχος ροπής στρέψης (VariTorque) ⑩
  - η αποδιδόμενη ροπή στρέψης αυξάνεται όσο περιστρέφεται τη στεφάνη συμπλέκτη B από το 1 προς το 17
  - όταν πρόκειται να βιδώσετε μία βίδα, δοκιμάστε πρώτα τη θέση VariTorque 1 και αυξήστε, ώσπου να επιτευχθεί το επιθυμητό βάθος
  - η θέση D θα κλειδώσει το συμπλέκτη προκειμένου να πραγματοποιηθεί διάτρηση (χωρίς κρούση) ή βιδώμα για εργασίες βαρέως τύπου
  - Η θέση C θα κλειδώσει το συμπλέκτη προκειμένου να πραγματοποιηθεί μόνο κρουστική διάτρηση
  - ! **βεβαιωθείτε ότι ο επιλογέας ταχύτητας G βρίσκεται στη θέση 2 όταν ο επιλογέας λειτουργίας F βρίσκεται στη θέση κρουστικής διάτρησης**
  - ! **μην χρησιμοποιείτε τη θέση κρουστικής διάτρησης C για διάτρηση σε ξύλο, μέταλλο, κεραμικό και πλαστικό, για να αποφύγετε ζημιά**

- στη μύτη διάτρησης/βιδώματος
- Επιλογή μηχανικών ταχυτήτων ①
  - ρυθμίστε τον επιλογέα G στην επιθυμητή ταχύτητα
  - ! ενεργοποιήστε τον επιλογέα ταχύτητας ενώ το εργαλείο λειτουργεί σε χαμηλή ταχύτητα**
- 1
  - χαμηλή ταχύτητα
  - μεγάλη ροπή στρέψης
  - για βίδωμα και για διάτρηση μεγάλων διαμέτρων
  - για σπειρώματα
- 2
  - υψηλή ταχύτητα
  - μικρότερη ροπή στρέψης
  - για κρουστική διάτρηση
  - για διάτρηση μικρών διαμέτρων
- ΦΩΣ ΕΡΓΑΣΙΑΣ K ⑫
  - Το ΦΩΣ ΕΡΓΑΣΙΑΣ K θα ανάψει όταν το εργαλείο είναι ενεργοποιημένο.
  - ! όταν το ΦΩΣ ΕΡΓΑΣΙΑΣ αρχίζει να αναβοσβήνει, ενεργοποιείται η προστασία μπαταρίας (βλ. παρακάτω)**
- Προστασία μπαταρίας
  - Το εργαλείο απενεργοποιείται ξαφνικά ή δεν επιδέχεται ενεργοποίηση όταν
  - **το φορτίο είναι υπερβολικά υψηλό** --> αφαιρέστε φορτίο και επανεκκινήστε
  - **η θερμοκρασία της μπαταρίας δεν βρίσκεται εντός του επιτρεπόμενου εύρους θερμοκρασίας λειτουργίας -20 έως +50°C** --> 2 επίπεδα της ένδειξης κατάστασης μπαταρίας αρχίζουν να αναβοσβήνουν με το πάτημα του κουμπιού M ⑦c. Περιμένετε ώσπου η μπαταρία να επανέλθει εντός του επιτρεπόμενου εύρους θερμοκρασίας λειτουργίας
  - **η μπαταρία έχει σχεδόν αδειάσει (για προστασία από βαθιά εκφόρτιση)** --> ανάβει ή αναβοσβήνει χαμηλή στάθμη μπαταρίας ⑦b δίπλα στην ένδειξη κατάστασης μπαταρίας με το πάτημα του κουμπιού M. Φορτίστε την μπαταρία
  - ! μην συνεχίσετε να πατάτε το διακόπτη ενεργοποίησης/απενεργοποίησης μετά την αυτόματη απενεργοποίηση του εργαλείου, διότι μπορεί να προκληθεί βλάβη στη συστοιχία μπαταριών**
- Κράτημα και οδήγηση του εργαλείου ⑬
  - ! ενώ εργάζεστε, κρατάτε πάντα το εργαλείο από τη γκρι επιφάνεια / τις γκρι επιφάνειες λαβής**
  - διατηρείτε ελεύθερες τις σχισμές εξαερισμού H ②
  - μην ασκείτε υπέρμετρη πίεση στο εργαλείο – αφήστε το εργαλείο να κάνει για σας τη δουλειά

## ΣΥΜΒΟΥΛΕΣ ΧΡΗΣΗΣ

- Χρησιμοποιείτε κατάλληλες μύτες ⑭
- **χρησιμοποιείτε μόνο αιχμηρές μύτες**
- Όταν κάνετε διάτρηση σε σιδηρούχα μέταλλα
  - προ-τρυπήστε μία τρύπα μικρότερη από την απαιτούμενη
  - λιπαίνετε περιστασιακά τη μύτη με λάδι
- Όταν έχετε να βιδώσετε μία βίδα σε γωνία ή στην άκρη ξύλου θα, κάντε μια προκαταρκτική οπή, για να αποφύγετε το «σκάσιμο» του ξύλου
- Για βέλτιστη χρήση του εργαλείου σας απαιτείται σταθερή πίεση πάνω στη βίδα, ειδικά κατά την αφαίρεση

- Όταν βιδώνετε σε σκληρό ξύλο πρέπει πρώτα να έχετε κάνει μία προκαταρκτική τρύπα
- Διάτρηση χωρίς θραύσματα σε ξύλο ⑮
- Διάτρηση χωρίς σκόνη σε τοίχους ⑯
- Διάτρηση χωρίς σκόνη σε οροφές ⑰
- Διάτρηση χωρίς μετατόπιση σε πλακίδια ⑱
- Για περισσότερες πληροφορίες, βλ. [www.skil.com](http://www.skil.com)

## ΣΥΝΤΗΡΗΣΗ/ΣΕΡΒΙΣ

- Αυτό το εργαλείο δεν προορίζεται για επαγγελματική χρήση
- Διατηρείτε πάντα καθαρό το εργαλείο (ειδικά τις σχισμές εξαερισμού H ②)
- ! αφαιρείτε τη συστοιχία μπαταριών από το εργαλείο πριν από τον καθαρισμό**
- Αν παρά την επιμελημένη κατασκευή και τις διαδικασίες δοκιμής το εργαλείο παρουσιάσει βλάβη, τότε η επισκευή του πρέπει να ανατεθεί σ' ένα κέντρο εξυπηρέτησης κατόπιν πωλήσεων για ηλεκτρικά εργαλεία SKIL
  - στείλτε το εργαλείο χωρίς να το αποσυναρμολογήσετε μαζί με την απόδειξη αγοράς στο κατάστημα από το οποίο το αγοράσατε ή στον πλησιέστερο σταθμό τεχνικής εξυπηρέτησης της SKIL (θα βρείτε τις διευθύνσεις και το διάγραμμα συντήρησης του εργαλείου στην ιστοσελίδα [www.skil.com](http://www.skil.com))
- Λαμβάνετε υπόψη ότι οι βλάβες που προκαλούνται λόγω υπερφόρτωσης ή ακατάλληλης χρήσης του ηλεκτρικού εργαλείου δεν καλύπτονται από την εγγύηση (για τους όρους της εγγύησης της SKIL βλ. [www.skil.com](http://www.skil.com) ή απευθυνθείτε στο πλησιέστερο κατάστημα πώλησης)

## ΠΕΡΙΒΑΛΛΟΝ

- **Μην απορρίπτετε ηλεκτρικά εργαλεία, μπαταρίες, παρελκόμενα και συσκευασίες στα οικιακά απορρίμματα** (μόνο για τις χώρες της ΕΕ)
  - σύμφωνα με την ευρωπαϊκή οδηγία 2012/19/EK, σχετικά με τα απόβλητα ηλεκτρικού και ηλεκτρονικού εξοπλισμού, και την ενσωμάτωσή της στο εθνικό δίκαιο, τα άχρηστα ηλεκτρικά εργαλεία πρέπει να συλλέγονται ξεχωριστά και να επιστρέφονται σε εγκατάσταση αποβλήτων για ανακύκλωση με τρόπο φιλικό προς το περιβάλλον
  - το σύμβολο ⑥ θα σας το θυμίσει αυτό όταν έλθει η ώρα της απόρριψης
  - ! πριν από την απόρριψη, καλύψτε τους ακροδέκτες της συστοιχίας μπαταριών με μονωτική ταινία για να αποφύγετε βραχυκύκλωμα**

## ΘΟΥΡΒΟΣ/ΔΟΝΗΣΗ

- Βάσει της μέτρησης σύμφωνα με το πρότυπο EN 62841, η στάθμη ηχητικής πίεσης αυτού του εργαλείου είναι 90 dB(A) και η στάθμη ηχητικής ισχύος 98 dB(A) (αβεβαιότητα K = 5 dB), και η δόνηση \* (τριαξονικό διανυσματικό άθροισμα, αβεβαιότητα K = 1,5 m/s<sup>2</sup>)
  - \* κατά τη διάτρηση σε μέταλλο 12,41 m/s<sup>2</sup>
  - \* κατά την κρουστική διάτρηση σε σκυρόδεμα 14,49 m/s<sup>2</sup>
- Το επίπεδο μετάδοσης δόνησης έχει μετρηθεί σύμφωνα



με τυποποιημένη δοκιμή κατά το πρότυπο EN 62841. Μπορεί να χρησιμοποιηθεί για τη σύγκριση ενός εργαλείου με ένα άλλο, καθώς και ως προκαταρκτική αξιολόγηση της έκθεσης σε δόνηση όταν το εργαλείο χρησιμοποιείται για τις αναφερόμενες εφαρμογές - η χρήση του εργαλείου για διαφορετικές εφαρμογές, με διαφορετικά ή πλημμελώς συντηρημένα παρελκόμενα μπορεί να **αυξήσει** σημαντικά το επίπεδο έκθεσης - όταν το εργαλείο είναι απενεργοποιημένο ή όταν είναι ενεργοποιημένο αλλά δεν εκτελεί την εργασία, το επίπεδο έκθεσης μπορεί να **μειωθεί** σημαντικά!

**! προστατευτείτε από τις συνέπειες της δόνησης, συντηρώντας σωστά το ηλεκτρικό εργαλείο και τα παρελκόμενά του, διατηρώντας τα χέρια σας ζεστά και οργανώνοντας τον τρόπο εργασίας σας**

RO

## Μαşină de găurit cu percuţie 3021 fără perii

### INTRODUCERE

- Această sculă este destinată străngerii și slăbirii șuruburilor, precum și pentru găurirea în lemn, ceramică și plastic și pentru găurirea cu impact în cărămidă.
- Această sculă nu este destinată utilizării profesionale.
- Citiți și păstrați acest manual de instrucțiuni.③

### DATE TEHNICE ①

Moment de torsiune maxim, înşurubare dură conform ISO 5393: 55 Nm

### ELEMENTELE SCULEI ②

- A Întrerupător deschis/închis și controlul vitezei
- B Inel pentru reglarea momentului
- C Poziție de perforare rotopercutantă
- D Poziție de perforare
- E Poziția de înşurubare
- F Comutator pentru schimbarea funcției
- G Comutator de selecție trepte de durată
- H Fantele de ventilație
- J Comutator pentru schimbarea direcției de rotație
- K LUMINĂ DE LUCRU
- L Mandrină
- M Buton indicator al nivelului bateriei
- N Bit cu două capete

### SIGURANȚA

#### INSTRUCȚIUNI GENERALE DE SIGURANȚĂ PENTRU SCULE ELECTRICE

**⚠ AVERTISMENT** Citiți toate instrucțiunile, avertizările de siguranță, ilustrațiile și specificațiile livrate împreună cu această sculă electrică. Nerespectarea tuturor instrucțiunilor enumerate mai jos se poate solda cu șoc electric, incendiu și/sau vătămare corporală gravă.

Păstrați toate avertizările și instrucțiunile pentru

#### consultare ulterioară.

Termenul „sculă electrică” din avertizări se referă la scula electrică (cu cablu) alimentată de la rețeaua electrică sau scula electrică (fără cablu de alimentare) care funcționează cu acumulator.

#### 1) SIGURANȚA ZONEI DE LUCRU

- a) **Păstrați zona de lucru curată și bine iluminată.** Zonele dezordonate și întunecoase predispun la accidente.
- b) **Nu puneți în funcțiune sculele electrice în atmosfere explozive, cum ar fi în prezența lichidelor, gazelor sau a pulberilor inflamabile.** Sculele electrice creează scântei, care pot aprinde pulberile sau gazele.
- c) **Țineți copiii și persoanele prezente la distanță atunci când utilizați o sculă electrică.** Distragerea atenției vă poate face să pierdeți controlul.

#### 2) SIGURANȚA ELECTRICĂ

- a) **Ștecherule sculelor electrice trebuie să corespundă cu priza de rețea electrică. Nu modificați niciodată ștecherul în vreun fel. Nu utilizați adaptoare de priză cu scule electrice împământate.** Ștecherule nemodificate și prizele adecvate vor reduce riscul de electrocutare.
- b) **Evitați contactul corpului cu suprafețele legate la împământare, cum sunt șevile, caloriferele, mașinile de gătit și frigiderule.** Acest lucru reprezintă un risc sporit de electrocutare în cazul care corpul dumneavoastră este împământat.
- c) **Nu expuneți sculele electrice la ploaie sau condiții de umiditate.** Pătrunderea apei într-o sculă electrică va crește riscul de electrocutare.
- d) **Nu folosiți în mod abuziv cablul de alimentare. Nu utilizați niciodată cordonul de alimentare pentru a transporta, a trage sau a scoate din priză scula electrică. Țineți cablul de alimentare departe de căldură, ulei, margini tăioase sau piese în mișcare.** Cablurile electrice deteriorate sau încălcite cresc riscul de electrocutare.
- e) **Când utilizați o sculă electrică în aer liber utilizați un cablu prelungitor adecvat pentru utilizarea în aer liber.** Utilizarea unui cablu adecvat pentru utilizare în aer liber reduce riscul de electrocutare.
- f) **Dacă utilizarea unei scule electrice într-o zonă umedă este inevitabilă, utilizați o sursă de alimentare protejată cu un întrerupător de protecție la curent rezidual (DCR).** Utilizarea unui astfel de întrerupător reduce riscul de electrocutare.

#### 3) SIGURANȚA PERSONALĂ

- a) **Păstrați-vă vigilența, urmăriți ceea ce faceți și apelați la bunul simț când utilizați o sculă electrică.** Nu utilizați o sculă electrică când sunteți obosit, sau sub influența medicamentelor, a alcoolului sau a medicației. Un moment de neatenție în timp ce utilizați sculele electrice se poate solda cu vătămări grave.
- b) **Utilizați echipamente individuale de protecție.** Purtați întotdeauna echipament de protecție oculară. Echipamentele de protecție, cum ar fi masca de praf, bocancii de protecție antiderapanți, cască sau antifoanele utilizate în condiții corespunzătoare, vor reduce vătămrile corporale.
- c) **Preveniți pornirea accidentală. Asigurați-vă că**

Înterupătorul este în poziția oprit înainte de a conecta scula la o sursă de alimentare și/sau set de acumulatori, înainte de a ridica sau transporta scula. Transportul sculelor electrice cu degetul pe întrerupător sau cu alimentarea cu energie electrică pornită, predis pune la accidente.

- d) **Îndepărtați orice cheie de reglare sau cheie fixă înainte de a porni scula electrică.** O cheie lăsată într-o piesă rotativă a sculei electrice poate duce la accidente.
- e) **Nu încercați să ajungeți în locuri inaccesibile. Păstrați-vă stabilitatea și echilibrul în orice moment.** Astfel veți avea un control mai bun asupra sculei electrice în situații neașteptate.
- f) **Îmbrăcați-vă corespunzător. Nu purtați haine largi sau bijuterii. Păstrați-vă părul și îmbrăcămintea departe de componentele în mișcare.** Îmbrăcămintea largă, bijuteriile sau părul lung se pot prinde în piesele în mișcare.
- g) **Dacă sunt furnizate dispozitive pentru conectarea sistemelor de extragere și colectare a prafului, asigurați-vă că acestea sunt conectate și utilizate corespunzător.** Utilizarea dispozitivelor de colectare a prafului poate reduce pericolele legate de praf.
- h) **Nu permiteți ca familiaritatea dobândită în urma utilizării frecvente a sculelor să vă facă să neglijați sau să nesocotiți principiile de siguranță ale sculei.** O operație neglijentă poate cauza vătămări grave într-o fracțiune de secundă.
- 4) **UTILIZAREA ȘI ÎNGRIJIREA SCULELOR ELECTRICE**
  - a) **Nu forțați scula electrică. Utilizați scula electrică corespunzătoare pentru aplicația dumneavoastră.** Scula electrică adecvată va face o treabă mai bună și mai sigură când este utilizată conform specificațiilor pentru care a fost concepută.
  - b) **Nu utilizați scula electrică dacă întrerupătorul nu comută pe pozițiile pornit și oprit.** Orice sculă electrică ce nu poate fi controlată de la întrerupător este periculoasă și trebuie reparată.
  - c) **Deconectați ștecherul de la sursa de alimentare și / sau scoateți acumulatorul, dacă este detașabil, de la scula electrică înainte de a efectua ajustări, de a schimba accesoriile sau de a stoca sculele electrice.** Astfel de măsuri preventive reduc riscul de pornire accidentală a sculei electrice.
  - d) **Depozitați sculele electrice într-un loc inaccesibil copiilor și nu permiteți utilizarea sculei electrice de persoane nefamiliarizate cu aceasta sau cu aceste instrucțiuni.** Sculele electrice sunt periculoase în mâinile utilizatorilor neinstruiți.
  - e) **Întrețineți sculele electrice și accesoriile. Verificați dacă există abateri de la coaxialitate sau îndoiri ale pieselor în mișcare, deteriorări ale pieselor și orice altă situație care poate afecta funcționarea sculelor electrice.** În caz de deteriorare, reparați scula electrică înainte de utilizare. Multe accidente sunt cauzate de sculele electrice prost întreținute.
  - f) **Mențineți sculele de tăiere ascuțite și curate.** Sculele de tăiere întreținute corespunzător și cu muchii de tăiere ascuțite riscă mai puțin să se îndoie și sunt mai ușor de controlat.
  - g) **Utilizați scula electrică, accesoriile și cuțitele demontabile etc. în conformitate cu aceste instrucțiuni, ținând cont de condițiile de lucru și**

lucrarea de efectuat. Utilizarea sculei electrice pentru operații diferite de cele intenționate s-ar putea solda cu o situație periculoasă.

- h) **Mențineți mânerul și suprafețele de apucat uscate, curate și fără ulei și vaselină.** Mănerul și suprafețele de apucare alunecoase nu permit manevrarea în siguranță și controlul asupra sculei în situații neașteptate.
- 5) **UTILIZAREA ȘI ÎNGRIJIREA ACUMULATORULUI**
  - a) **Reîncărcați numai cu încărcătorul specificat de producător.** Un încărcător adecvat pentru un tip de set de acumulatori poate prezenta risc de incendiu dacă este utilizat cu alt set de acumulatori.
  - b) **Utilizați sculele electrice doar cu seturile de acumulatori special menționate.** Utilizarea oricărui alt set de acumulatori prezintă risc de accidente și incendiu.
  - c) **Când nu se utilizează setul de acumulatori, țineți-l departe de alte obiecte metalice precum clamele de hârtie, monedele, cheile, cuiele, șuruburile sau alte obiecte metalice mici care pot realiza o conexiune între borne.** Scurtcircuitarea bornei acumulatorului poate produce arsuri sau un incendiu.
  - d) **În condiții abuzive se poate scurge lichid din acumulator; evitați contactul.** Dacă are loc contactul accidental, clătiți cu apă. Dacă lichidul intră în contact cu ochii, efectuați suplimentar un consult medical. Lichidul scurs din acumulator poate produce iritații sau arsuri.
  - e) **Nu utilizați un set de acumulatori sau o sculă deteriorată sau modificată.** Acumulatorii deteriorați sau modificați pot prezenta comportament imprevizibil, care poate duce la incendiu, explozie sau risc de vătămare.
  - f) **Nu expuneți setul de acumulatori la foc sau la temperaturi excesive.** Expunerea la foc sau la temperaturi de peste 130°C poate provoca explozie.
  - g) **Respectați instrucțiunile de încărcare și nu încărcați setul de acumulatori sau scula în afara intervalului de temperatură specificat în instrucțiuni.** Încărcarea necorespunzătoare sau la temperaturi în afara domeniului specificat poate duce la deteriorarea acumulatorului și la creșterea riscului de incendiu.
- 6) **SERVICE**
  - a) **Apelați numai la o persoană calificată pentru a vă repara scula electrică utilizând numai piese de schimb identice.** Astfel se asigură menținerea nivelului de siguranță al sculei electrice.
  - b) **Nu efectuați niciodată operații de service asupra seturilor de acumulatori deteriorați.** Depanarea acumulatorilor trebuie să fie efectuată numai de producător sau de prestatorii autorizați de servicii.

## INSTRUCȚIUNI DE SIGURANȚĂ PENTRU CIOCANUL ROTOPERCUTOR CU ACUMULATORI

### 1) INSTRUCȚIUNI DE SIGURANȚĂ PENTRU TOATE OPERAȚIUNILE

- a) **Purtați căști de protecție auditivă când găuriți cu percuție.** Expunerea la zgomot poate duce la pierderea auzului.
- b) **Țineți scula electrică de suprafețele de apucare izolate la efectuarea unei operații unde accesoriul de așchiere sau elementul de fixare poate contacta cablaje ascunse.** Dacă accesoriul de tăiere și dispozitivul de fixare ating fire electrice aflate sub

tensiune, acest lucru poate face ca piesele metalice expuse ale sculei să se electrifice, existând riscul unui șoc electric pentru operator.

## 2) INSTRUCȚIUNI DE SIGURANȚĂ ATUNCI CÂND UTILIZAȚI BURGHIE LUNGI

- a) **Nu utilizați niciodată burghiul la viteze mai mari decât viteza maximă indicată a acestuia.** La viteze mai mari, este foarte probabil ca burghiul să se îndoiească și să se permită rotirea în gol fără a intra în contact cu piesa, rezultând vătămări.
- b) **Începeți întotdeauna găurirea la viteză mică și cu vârful burghiului în contact cu piesa de prelucrat.** La viteze mai mari, este foarte probabil ca burghiul să se îndoiească și să se permită rotirea în gol fără a intra în contact cu piesa, rezultând vătămări.
- c) **Apăsați direct liniar cu burghiul și nu apăsați excesiv.** Burghiile se pot îndoii ducând la rupere sau la pierderea controlului, cauzând vătămări.

### GENERALITĂȚI

- Praful rezultat din materiale precum vopseaua care conține plumb, unele specii de lemn, minerale și metale poate fi periculos (contactul cu praful sau inhalarea acestuia poate provoca reacții alergice și/sau afecțiuni respiratorii operatorului sau persoanelor care stau în apropiere); **purtați o mască de praf și lucrați cu un dispozitiv de extragere a prafului când poate fi conectat**
- Anumite tipuri de praf sunt clasificate ca fiind cancerigene (cum ar fi praful de stejar și fag) în special în combinație cu aditivi pentru tratarea lemnului; **purtați o mască de praf și lucrați cu un dispozitiv de extragere a prafului când poate fi conectat**
- Respectați reglementările naționale referitoare la aspirația prafului în funcție de materialele de lucru folosite
- **Nu prelucrați materiale care conțin azbest** (azbestul este considerat a fi cancerigen)
- Asigurați-vă că întreprupătorul J② este în poziția din mijloc (poziția de blocaj) înainte de a executa reglaje ale sculei electrice sau de a înlocui accesoriile precum și în cazul transportului sau depozitării sculei electrice

### ACCESORII

- SKIL garantează funcționarea perfectă a aparatului numai dacă sunt folosite accesoriile originale
- Folosiți numai accesoriile a căror turație admisă este cel puțin egală cu turația maximă la mers în gol a aparatului

### ÎNAINTEA UTILIZĂRII

- Evitați daunele provocate de șuruburi, ținte și alte elemente din timpul lucrului; înlăturați aceste elemente înainte de a trece la acțiune
- **Securizați piesa de lucru** (o piesă de lucru fixată cu clame sau într-o menghină este ținută mult mai în siguranță decât manual)
- **Folosiți detectoare adecvate pentru depistarea conductelor și conductorilor de alimentare sau apelați în acest scop la întreprinderea locală de furnizare a utilităților** (contactul cu conductorii electrici poate provoca incendii sau electrocutare; deteriorarea unei conducte de gaz poate duce la explozii; spargerea unei conducte de apă provoacă pagube materiale sau poate provoca electrocutare)

### ACUMULATORII

- **Bateria furnizată, dacă există, este parțial încărcată** (pentru a asigura o capacitate maximă a bateriei, încărcăți-o complet utilizând încărcătorul acesteia înainte

de a utiliza unealta electrică pentru prima dată)

- **Utilizați numai următoarele baterii și încărcătoare cu această sculă**
  - Baterie SKIL: BR1\*31\*\*\*\*
  - Încărcător SKIL: CR1\*31\*\*\*\*
- Nu folosiți bateria dacă aceasta este avariata; ea trebuie înlocuită imediat
- Nu dezasamblați bateria
- Nu expuneți scula/bateria la ploaie
- Temperatură ambientă admisă (instrument/încărcător/acumulator):
  - în timpul încărcării 4...40°C
  - în timpul funcționării -20...+50°C
  - în timpul depozitării -20...+50°C

### EXPLICAȚIA SIMBOLURILOR DE PE INSTRUMENT/ BATERIE

- ③ Citiți manual de instrucțiuni înainte de utilizare
- ④ Bateriile vor exploda când sunt aruncate în foc, deci nu ardeți bateriile sub niciun motiv
- ⑤ Depozitați instrumentul / încărcătorul / bateria în locuri în care temperatura nu va depăși 50 ° C
- ⑥ Nu aruncați sculele electrice și bateriile direct la pubelele de gunoi

## UTILIZAREA

- Întreprupător combinat pentru conectare/deconectare și controlului vitezei A ②
  - dirijați viteza de la 0 la maximum prin apăsare mai puternică sau mai slabă a butonului de pornire
- Încărcarea bateriei
  - ! **Citiți avertismentele de siguranță și instrucțiunile care au fost furnizate împreună cu încărcătorul**
- Scoaterea/instalarea bateriilor ②
- Indicator nivel încărcare acumulator ⑦
  - apăsați butonul indicator al nivelului bateriei M pentru a afișa nivelul curent al bateriei ⑦a
  - ! **când nivelul cel mai scăzut al indicatorului bateriei începe să clipească după apăsarea butonului M ⑦b, bateria este descărcată**
  - ! **când 2 niveluri ale indicatorului bateriei încep să clipească după apăsarea butonului M ⑦c, bateria nu se află în intervalul de temperatură de funcționare permis**
- Schimbarea direcției de rotație ⑧
  - dacă nu se așază în poziția corectă stânga/dreapta, întreprupător A② nu va putea fi acționat
  - ! **schimbați direcția de rotație abia atunci când aparatul este complet oprit**
- Înlocuirea biți ⑨
  - ! **nu folosiți biți cu coadă deteriorată**
- Reglajul cuplului (VariTorque) ⑩
  - ambreiajul randamentul cuplurilor de torsione va crește în cazul în care inelul ambreiajului B este sucit de la poziția 1 la 17
  - în cazul în care ați nimerit peste un șurub, încercați pentru început poziția 1 al VariTorque și apăsați până când veți obține adâncimea necesară
  - poziția D va bloca ambreiajul pentru a permite perforarea (fără rotopercutare) sau perforarea unor porțiuni mai dificile
  - poziția C va bloca ambreiajul pentru a permite numai perforare rotopercutantă
  - ! **verificați comutatorul de selecție a treptelor de**

**turație G pentru a vă asigura că se află în poziția 2 când selectorul de funcție F se află în poziție de găurire cu percuție**

**! nu folosiți poziția de găurire cu percuție C pentru găurire în lemn, metal, ceramică și plastic pentru a nu deteriora burghiul/șurubul**

- Selecție mecanică a treptelor de turație ⑪
    - setați comutatorul G la viteza dorită
- ! acționați comutatorul de selecție a treptelor de turație în timp ce scula funcționează lent**

**1**

- viteză scăzută
- moment de rotație mare
- pentru ghidarea șuruburilor și pentru găuriri de diametre mari
- pentru realizarea de filete

**2**

- viteză ridicată
  - moment de rotație scăzut
  - pentru găurire cu percuție
  - pentru găuriri de diametre mai mici
- LUMINA DE LUCRU K ⑫
    - WORKLIGHT K se va aprinde când scula este pornită.
- ! când LUMINA DE LUCRU începe să lumineze intermitent, protecția bateriei este activată (a se vedea mai jos)**
- Protecția bateriei
- Aparatul este oprit brusc sau împiedicat să fie pornit când

- sarcina este prea mare -> îndepărtați sarcina și reporniți
- temperatura bateriei nu se încadrează în intervalul admisibil de temperatură de funcționare de la -20 to +50°C --> 2 niveluri ale indicatorului de nivel al bateriei începe să clipească la apăsarea butonului M ⑦c; așteptați până când bateria a revenit în intervalul permis de temperatură de funcționare
- bateria este aproape descărcată (pentru a proteja împotriva descărcării profunde) --> un nivel scăzut al bateriei sau un nivel scăzut intermitent al bateriei ⑦b este afișat de indicatorul nivelului bateriei atunci când apăsați butonul M; încărcăți bateria

**! nu continuați să apăsați comutatorul pornit/oprit după oprirea automată a mașinii; în caz contrar, bateria poate fi deteriorată**

- Mănuirea și dirijarea sculei ⑬
  - ! în timp ce lucrați, țineți întotdeauna scula de zonă (zonele) de prindere colorate gri**
  - mențineți fantele de ventilație H ② neacoperite
  - nu exercitați prea multă presiune asupra sculei; lăsați scula să funcționeze

## SFATURI PENTRU UTILIZARE

- Folosiți biți adecvați ⑭
  - ! folosiți numai biți ascuțiți**
- La găurirea în metale feroase
  - când este necesară găurirea la un diametru mare, efectuați întâi o găurire intermediară, la diametru mai mic
  - ungeți cu ulei din când în când burghiul
- Atunci când doriți să suciți un șurub la marginea, colțul, capătul lemnului, se recomandă să faceți o gaură cu instrumentul de găurit pentru a evita crăparea lemnului

- Pentru o utilizare optimă a instrumentului este necesară exercitarea unei presiuni constante asupra șurubului, în special la schimbare
- În cazul înșurubării într-un lemn tare se recomandă efectuarea în prealabil a unei găuri
- Găurire așchiată în lemn ⑮
- Găurire fără praf în pereți ⑯
- Găurire fără praf în tavane ⑰
- Găurire în țigle fără a aluneca ⑱
- Pentru mai multe informații, consultați [www.skil.com](http://www.skil.com)

## ÎNTREȚINERE / SERVICE

- Această sculă nu este destinată utilizării profesionale
- Păstrați întotdeauna aparatul curat (mai ales fantele de ventilație H ②)
  - ! scoateți bateria din scula electrică înainte de curățare**
- Dacă în ciuda procedurilor de fabricație și control riguroase scula are totuși o pană, repararea acesteia se va face numai la un atelier de asistență service autorizat pentru scule electrice SKIL
  - trimiteți scula în totalitatea lui cu bonul de cumpărare la distribuitorul sau la centrul de service SKIL cel mai apropiat (adrese și diagrame de service se găsesc la [www.skil.com](http://www.skil.com))
- Trebuie să fiți conștienți de faptul că deteriorarea datorată supra-sarcinii sau utilizării incorecte a sculei va duce la excluderea din garanție (pentru condițiile de garanție SKIL consultați [www.skil.com](http://www.skil.com) sau întrebați distribuitorul)

## MEDIUL

- **Nu aruncați sculele electrice, bateriile, accesoriile sau ambalajele direct la pubelele de gunoi** (numai pentru țările din Comunitatea Europeană)
    - Directiva Europeană 2012/19/EC face referire la modul de aruncare a echipamentelor electrice și electronice și modul de aplicare a normelor în conformitate cu legislația națională; sculele electrice în momentul în care au atins un grad avansat de uzură și trebuie aruncate, ele trebuie colectate separat și reciclate într-un mod ce respectă normele de protecție a mediului înconjurător
    - simbolul ⑥ vă va reaminti acest lucru
- ! înainte aruncare protejați terminalele bateriei cu lentă protectoare pentru a preveni scurtcircuitul**

## ZGOMOT / VIBRAȚII

- Măsurat în conformitate cu EN 62841, nivelul de presiune acustică al acestui instrument este 90 dB (A) și nivelul de putere acustică 98 dB (A) (incertitudine K = 5 dB) și vibrația \* (suma vectorului triax; incertitudinea K = 1.5 m/s<sup>2</sup>)
  - \* când găuriți în metal 12.41 m/s<sup>2</sup>
  - \* când găuriți cu percuție în beton 14.49 m/s<sup>2</sup>
- Nivelul emisiilor de vibrații a fost măsurat în conformitate cu un test standardizat precizat în EN 62841; poate fi folosit pentru a compara o sculă cu alta și ca evaluare preliminară a expunerii la vibrații atunci când folosiți scula pentru aplicațiile menționate
  - utilizarea sculei pentru aplicații diferite sau cu accesorii diferite și prost întreținute poate crește semnificativ

nivelul de expunere

- momentele în care scula este oprită sau când funcționează dar nu execută nicio lucrare, pot **reduce** semnificativ nivelul de expunere

**! protejați-vă împotriva efectelor vibrațiilor prin întreținerea sculei și a accesoriilor sale, păstrând mâinile calde și organizând procesele de lucru**

BG

## Безчеткова ударна бормашина

3021

### УВОД

- Този инструмент е предназначен за затягане и разхлабване на винтове, както и за пробиване в дърво, керамика и пластмаса и за ударно пробиване в тухла.
- Този инструмент не е предназначен за професионална употреба.
- Прочетете и пазете това ръководство за работа. ③

### ТЕХНИЧЕСКИ ДАННИ ①

Макс. въртящ момент при твърди винтови съединения по ISO 5393: 55 Nm

### ЕЛЕМЕНТИ НА ИНСТРУМЕНТА ②

- A Спусък за включване/изключване и регулиране на скоростта
- B Пръстен за регулиране на въртящия момент
- C Позиция за ударно пробиване
- D Позиция за пробиване
- E Позиция за завинтване
- F Превключвател за промяна на функция
- G Превключвател за предавките
- H Вентилационни отвори
- J Превключвател за обръщане на посоката на въртене
- K РАБОТНА СВЕТЛИНА
- L Патронник
- M Бутон за индикация на нивото на батерията
- N Двустранен накрайник

### БЕЗОПАСНОСТ

#### ОБЩИ ПРЕДУПРЕЖДЕНИЯ ЗА БЕЗОПАСНОСТ НА ЕЛЕКТРИЧЕСКИ ИНСТРУМЕНТИ

**!** **ПРЕДУПРЕЖДЕНИЕ** Прочетете всички предупреждения за безопасност, инструкции, илюстрации и спецификации предоставени с този **електрически инструмент**. Неспазването на всички инструкции изброени долу може да доведе до токов удар, пожар и/или сериозно нараняване.

**Запазете всички предупреждения и инструкции за бъдеща справка.**

Терминът "електрически инструмент" в предупрежденията се отнася до захранвани от мрежата (кабелни) електрически инструменти или захранвани

чрез батерия (безкабелни) електрически инструменти.

#### 1) БЕЗОПАСНОСТ В РАБОТНАТА ЗОНА

- a) **Поддържайте работната зона чиста и добре осветена.** Разхвърляни или тъмни работни зони пораждат инциденти.
- b) **Не работете с електрически инструменти в експлозивна атмосфера, като например в присъствието на запалими течности, газ или прах.** Електрическият инструмент създава искра, която може да възпламени праха или изпаренията.
- c) **Дръжте на разстояние децата и страничните лица, докато работите с електрически инструмент.** Разсейването може да причини загуба на контрол.

#### 2) ЕЛЕКТРИЧЕСКА БЕЗОПАСНОСТ

- a) **Щепселите на електрическия инструмент трябва да съответстват на контакта. Никога не модифицирайте щепсела по какъвто и да е начин. Не използвайте какъвто и да е адаптер със заземени електрически инструменти.** Немодифицираните щепсели и съответстващите контакти ще намалят риска от електрически шок.
- b) **Избягвайте контакт на тялото със заземени повърхности като тръби, радиатори, кухненски печки и хладилници.** Съществува повишена опасност от токов удар, ако тялото Ви е заземено.
- c) **Не излагайте електрическите инструменти на дъжд или влажни условия.** Навлизането на вода в електрическия инструмент ще увеличи риска от токов удар.
- d) **Не злоупотребявайте с кабела. Никога не използвайте кабела за пренасяне, изтегляне или изключване от контакта на електрическия инструмент. Дръжте кабела настрана от топлина, масло, остри ръбове или движещи се части.** Повредени или оплетени кабели увеличават риска от електрически удар.
- e) **Когато работите с електрически инструмент на открито, използвайте удължителен кабел подходящ за употреба на открито.** Употребата на кабел подходящ за употреба на открито намалява риска от електрически удар.
- f) **Ано работата с електрическия инструмент на влажно място е неизбежна, използвайте захранване с дефектнотонова защита (RCD).** Употребата на RCD намалява риска от токов удар.

#### 3) ЛИЧНА БЕЗОПАСНОСТ

- a) **Внимавайте, гледайте нанво правите и използвайте здрав разум, когато работите с електрически инструмент.** Не използвайте електрически инструмент, когато сте уморени или когато сте под влияние на наркотици, алкохол или лекарства. Момент невнимание по време на работата с електрически инструмент, може да доведе до сериозно лично нараняване.
- b) **Използвайте лични предпазни средства. Винаги носете защита за очите.** Защитно оборудване като прахови маски, не плъзгачи се безопасно обувки, твърда наска или защита за слуха използвана при подходящи условия ще намали риска от лични наранявания.
- c) **Предотвратете непреднамерено пускане.**

Уверете се, че ключът е в изключена позиция, преди да свържете към захранване и/или батерия, повдигайки или носейки инструмента. Пренасянето на електроинструменти с пръст на превключвателя или наелектризиран електроинструменти с включен превключвател създава условия за злополуки.

- d) **Извадете всеки регулиращ ключ или гаечен ключ, преди да включите захранването.** Гаечен или друг ключ оставен закачен към въртящите се части на електрическия инструмент, може да доведе до лично нараняване.
  - e) **Не се протягайте. Запазете правилна стойка и баланс по всяко време.** Това позволява по-добър контрол върху електрическия инструмент в непредвидени ситуации.
  - f) **Облечете се подходящо. Не носете свободни дрехи или накити. Дръжте носата и дрехите си далеч от движещи се части.** Свободни дрехи, накити или дълга коса, могат да бъдат хванати в движещите се части.
  - g) **Ако са предоставени устройства за свързване на прахоуловител или съоръжения за събиране, уверете се, че те са свързани и са правилно използвани.** Употребата на устройства за събиране на прах може да намали рисковете свързани с прах.
  - h) **Не позволявайте на рутинността придобита от честата употреба на инструмента да позволи да станете небрежни и да игнорирате принципите за безопасност на инструмента.** Небрежно действие може да причини сериозно нараняване за части от секундата.
- 4) УПОТРЕБА И ГРИЖА ЗА ЕЛЕКТРИЧЕСКИЯ ИНСТРУМЕНТ**
- a) **Не пресилвайте електрически инструмент.** Използвайте правилния електрически инструмент за вашата работа. Правилният електрически инструмент ще свърши работата по-добре и по-безопасно при капацитета за който е проектиран.
  - b) **Не използвайте електрическия инструмент ако ключът не го включва или изключва.** Всеки електрически инструмент, който не може да бъде контролиран от ключа е опасен и трябва да бъде поправен.
  - c) **Разкачете щепсела от захранването и/или извадете батерията, ако може да се извади, от електрическия инструмент, преди да извършите настройки, смяна на аксесоари или съхраняване на инструментите.** Подобни превантивни мерки за безопасност намаляват риска от стартиране на инструмента инцидентно.
  - d) **Дръжте свободния електрически инструмент извън достъпа до деца и не позволявайте хора, които не са запознати с електрическия инструмент или тези инструкции да работят с него.** Електрическите инструменти са опасни ръцете на необучени потребители.
  - e) **Поддръжка на електрически инструменти и аксесоари.** Проверете за разместване или блокиране на подвижни части, счупване на части, и всякакви други условия, които могат да повлияят на работата на електрическия

инструмент. При повреда ремонтирайте инструмента преди употреба. Много инциденти са причинени от лошо поддържани електрически инструменти.

- f) **Дръжте режещите инструменти остри и чисти.** Правилно поддържани режещи инструменти, с остри режещи ръбове е по-малко вероятно да се заклещат и по-лесно се контролират.
  - g) **Използвайте електрическия инструмент, аксесоарите, частите на инструмента и т.н. в съответствие с тези инструкции, като вземете предвид условията на работа и вида работа, която ще бъде извършвана.** Употребата на електрическия инструмент за дейности различни от предназначенията може да доведе до опасни ситуации.
  - h) **Дръжте ръкохватките и повърхностите за захващане сухи, чисти и без масло и грес.** Хлъзгавите ръкохватки и места за захващане не позволяват безопасно боравене и контролиране на инструмента при неочаквана ситуация.
- 5) УПОТРЕБА И ГРИЖА ЗА ИНСТРУМЕНТ С БАТЕРИЯ**
- a) **Заредвайте само със зарядното устройство определено от производителя.** Зарядно устройство, което е подходящо за един вид акумулаторна батерия може да създаде опасност от пожар, когато се използва с друга акумулаторна батерия.
  - b) **Използвайте електрически инструменти само със специфично обозначени акумулаторни батерии.** Използването на всяка друга акумулаторна батерия може да създаде риск от нараняване и пожар.
  - c) **Когато акумулаторните батерии не са в употреба ги дръжте на разстояние от други метални обекти, като клемери, монети, ключове, пирони, отвертки или други малки метални предмети, които могат да направят свързване между клемите.** Свързване на късо на клемите на батерията може да причини изгаряне или пожар.
  - d) **При условия на злоупотреба, може да се изхвърли течност от батерията. Избягвайте контакт. В случай на инцидентен контакт измийте с вода. Ако течността влезе в контакт с очите, потърсете допълнително медицинска помощ.** Течността изхвърлена от батерията може да причини раздразнение или изгаряния.
  - e) **Не използвайте акумулаторна батерия или инструмент, които са повредени или модифицирани.** Повредените или модифицираните батерии може да проявят непредсказуемо поведение, което да доведе до пожар, експлозия или риск от нараняване.
  - f) **Не излагайте батерията или инструмента на огън или прекомерна температура.** Излагане на огън или температури над 130 °C може да причини експлозия.
  - g) **Следвайте всички инструкции за зареждане и не зареждайте батерията или инструмента извън температурния обхват зададен в инструкциите.** Неправилното зареждане или зареждане извън определения температурен обхват може да повреди батерията и да повиши риска от пожар.

## 6) ОБСЛУЖВАНЕ

- a) Обслужвайте вашия електрически инструмент чрез квалифициран техник, като използвате само идентични резервни части. Това ще осигури поддържането на безопасност на електрическия инструмент.
- b) Никога не поправяйте повредени акумулаторни батерии. Ремонтът на акумулаторни батерии трябва да бъде извършван от производителя или оторизиран сервиз.

## УКАЗАНИЯ ЗА БЕЗОПАСНА РАБОТА ЗА БЕЗНАБЕЛНА УДАРНА БОРМАШИНА

### 1) ИНСТРУКЦИИ ЗА БЕЗОПАСНОСТ ЗА ВСИЧКИ ОПЕРАЦИИ

- a) Носете протектори за уши при ударно пробиване. Излагането на шум може да причини загуба на слуха.
- b) Дръжте електрическия инструмент само за изолираните повърхности за захващане, когато изпълнявате операция, при която режещият аксесоар или закрепващият елемент може да влезе в контакт със скрит кабел. Режещ аксесоар и скрепителни елементи в контакт с „жив“ електрически проводник могат да направят изложените метални части на електроинструмента „живи“ и могат да причинят електрически удар у оператора.
- 2) ИНСТРУКЦИИ ЗА БЕЗОПАСНОСТ ПРИ УПОТРЕБАТА НА ДЪЛГИ СВРЕДЛА
- a) Никога не оперирайте при по-висока скорост от максималния индекс на скоростта на свредлото. При по-високи скорости свредлото е възможно да се огъне, ако му се позволи да се върти свободно, без да е в контакт с обработвания детайл, водейки до телесно нараняване.
- b) Винаги започвайте да пробивате при ниска скорост и с връх на свредлото в контакт с обработвания детайл. При по-високи скорости свредлото е възможно да се огъне, ако му се позволи да се върти свободно, без да е в контакт с обработвания детайл, водейки до телесно нараняване.
- c) Прилагайте налягане само в права линия по отношение на свредлото и не прилагайте прекомерно налягане. Свредлата могат да се огънат, причинявайки счупване или загуба на контрол, водейки до телесно нараняване.

### ОБЩИ

- Прахът от някои материали, като например съдържаща олово боя, някои видове дървесина, минерали и метали може да бъде вреден (контакт или вдихване на такъв прах могат да причинят алергични реакции и/или респираторни заболявания на оператора или стоящите наблизо лица); **използвайте противопохова маска и работете с аспиращо праха устройство, когато такова може да бъде свързано**
- Определени видове прах са класифицирани като карциногенни (като прах от дъб и бук) особено когато са комбинирани с добавки за подобряване на състоянието на дървесината; **използвайте**

**противохова маска и работете с аспиращо праха устройство, когато такова може да бъде свързано**

- Следвайте дефинираните по БДС изисквания относно запаршеността за материалите, които желаете да обработвате
- **Не обработвайте съдържащ азбест материал** (азбестът е канцерогенен)
- Убедете се че ключът J ② е в средно (блокирано) положение, преди да направите каквито и да релажки или смени на консумативите или когато транспортирате или прибирате инструмента

### АНКСЕСОАРИ

- SKIL може да осигури безаварийна работа на електроинструмента само ако се използват оригинални допълнителни приспособления
- Използвайте само принадлежности, чиято допустима скорост на въртене е пооглямена или равна на максималната скорост на въртене на празен ход на електроинструмента

### ПРЕДИ УПОТРЕБА

- Избягвайте повреди, които могат да бъдат причинени от винтове, гвоздеи и други метални елементи в обработвания детайл; отстранете ги преди да започнете работа
- **Обезопасете работния материал** (материал, затегнат в затягащ инструмент или в менгеме е по-устойчив, отколкото ако се държи в ръка)
- **За да откриете скрити под повърхността елентро-, водо- и газопроводи, използвайте подходящи уреди или се обърнете към местното снабдително дружество** (прекъсването на електропроводници под напрежение може да предизвика пожар и/или токов удар; увреждането на газопровод може да предизвика експлозия; засягането на водопровод може да предизвика значителни материални щети и/или токов удар)

### АКУМУЛАТОРНИ БАТЕРИИ

- **Доставената в комплекта батерия е частично заредена** (за да осигурите пълен капацитет на батерията, заредете напълно батерията в зарядното устройство за батерия, преди да използвате вашия електроинструмент за първи път)
- **Използвайте само следните батерии и зарядни устройства с този инструмент**
  - SKIL батерия: BR1\*31\*\*\*\*
  - SKIL зарядно устройство: CR1\*31\*\*\*\*
- Не използвайте неизправна батерия; незабавно я заменете
- Не разглобявайте батерията
- Не излагайте на дъжд инструмента/батерията
- Допустима околна температура (инструмент/ зарядното устройство/батерия):
  - при зареждане 4...40°C
  - по време на работа -20...+50°C
  - при съхраняване -20...+50°C

### ОБЯСНЕНИЕ НА СИМВОЛИТЕ ПО ИНСТРУМЕНТА/ АКУМУЛАТОРНАТА БАТЕРИЯ

- ③ Преди употреба прочетете ръководството с указания
- ④ Хвърлен в огън, акумулаторът ще експлодира, така че не изгаряйте акумулатора по каквато и да е причина
- ⑤ Съхранявайте инструмента/зарядното устройство/ батерията в помещението при температури, не по-високи от 50°C

- ⑥ Не извършвайте електроуредите и батерии заедно с битови отпадъци

## УПОТРЕБА

- Комбиниран бутон за включване/изключване и управление на скоростта А ②
  - управлението на скоростта от нула до максималната стойност се извършва като натискате прекъсвача по-силно или по-слабо
- Заредяне на акумулаторната батерия
  - ! прочетете предупрежденията и инструкциите за безопасност, доставени със зарядното устройство
- Изваждане/инсталиране на батерията ②
- Индикатор за нивото на заряд на батерията ⑦
  - Натиснете бутона за индикатора на нивото на заряд на батерията М за показване на текущото ниво на заряд на батерията ⑦а
  - ! Когато най-ниското ниво на индикатора за батерията започне да мига след натискане на бутона М ⑦b, батерията е разредена
  - ! Когато 2 нива на индикатора на батерията започнат да мигат след натискане на бутона М ⑦c, батерията не е в допустимия работен температурен диапазон
- Обръщане на посоката на въртене ⑧
  - ако не е точно в положение включване/изключване, превключвателят А ② не може да бъде активиран
  - ! обръщайте посоката на въртене само когато електроринструментът е напълно спрял
- Смяна на накрайници ⑨
  - ! не използвайте накрайници с повредена опашка
- Управление на въртящия момент (VariTorque) ⑩
  - изходният въртящ момент ще се увеличи при завъртане на пръстена В на патронника от 1 до 17
  - при завиване на винт първо опитайте позиция 1 на съединителя VariTorque и след това увеличете въртящия момент, докато достигнете желаната дълбочина
  - позиция D ще блокира патронника, за да позволи пробиване (не ударно) или завиване при тежки условия
  - позиция C ще блокира патронника, за да позволи само ударно пробиване
  - ! гарантирайте, че превключвателят за предавките G е в позиция 2, когато пръстенът на патронника F е в позиция за ударно пробиване
  - ! не използвайте позиция за ударно пробиване C за пробиване в дърво, метал, керамика и пластмаса, за да предотвратите повреда на накрайника за пробиване/завиване
- Избор на механична предавка ⑪
  - задайте селектор G на желаната скорост
  - ! задействайте превключвателя за предавките, когато инструментът работи бавно
- 1
  - ниска скорост
  - голям въртящ момент
  - като отвертка и за пробиване на големи диаметри
  - за нарязване на резба

## 2

- висока скорост
  - по-малък въртящ момент
  - за ударно пробиване
  - за пробиване на малки диаметри
  - РАБОТНА СВЕТЛИНА K ⑫
    - РАБОТНАТА СВЕТЛИНА K ще светне, когато инструментът е включен.
    - ! когато РАБОТНАТА СВЕТЛИНА започне да мига, защитата на батерията е активирана (вижте по-долу)
  - Защита на батерията
    - Инструментът внезапно се изключва или не позволява да се включи, когато
      - натоварването е преналяно голямо -> премахнете натоварването и рестартирайте
      - температурата на батерията е извън допустимия работен температурен диапазон от -20 до +50°C --> 2 нива на индикатора за заряд на батерията започват да мигат, когато натискате бутона M ⑦c; изчакайте, докато батерията си възвърне допустимия работен температурен диапазон
      - батерията е почти празна (за предпазване срещу пълно разреждане) --> ниско ниво на батерията или мигащо ниско ниво на батерията ⑦b е показано чрез индикатора за заряд на батерията, когато натискате бутона M; заредете батерията
      - ! след автоматичното изключване на инструмента не продължавайте да натискате спусъка, понеже може да се повреди акумулаторът
  - Държане и насочване на инструмента ⑬
    - ! по време на работа, винаги дръжте инструмента за оцветената в сиво област(и) за хващане
    - оставяйте вентилационните отвори H ② непокрити
    - не прилагайте твърде голям натиск върху инструмента; нека той да свърши работата вместо вас
- ## УКАЗАНИЯ ЗА РАБОТА
- Използвайте подходящи накрайници ⑭
    - ! използвайте само остри накрайници
  - При пробиване на цветни метали
    - ако ви трябва голям отвор, първо пробийте малък
    - от време на време смазвайте свредлата с машинно масло
  - При завиване на винт в близост до ръба на дървен детайл първо пробийте отвор, за да избегнете откътрване на дървото
  - За оптимална работа на електроинструмента е необходим постоянен натиск върху винта, включително при развиване
  - При завиване на винтове в твърдо дърво първо пробийте отвор
  - Пробиване без отломки в дърво ⑮
  - Безпрахово пробиване в стени ⑯
  - Безпрахово пробиване в тавани ⑰
  - Пробиване на керамични плочки без плъзгане на свредлото ⑱
  - За повече информация вижте [www.skil.com](http://www.skil.com)



## ПОДДРЪЖКА / СЕРВИЗ

- Този инструмент не е предназначен за професионална употреба
- Винаги поддържайте инструмента чист (особено вентилационните отвори H ②)  
**! извадете батерията от инструмента преди почистване**
- Ако въпреки прецизното производство и внимателно изпитване възникне повреда, инструмента да се занесе за ремонт в оторизиран сервиз за електроинструменти на SKIL  
- занесете инструмента в неразглобен вид заедно с доказателство за покупката му в търговския обект, откъдето сте го закупили, или в най-близкия сервиз на SKIL (адресите, както и схемата за сервизно обслужване на електроинструмента, можете да намерите на адрес [www.skil.com](http://www.skil.com))
- Имайте предвид, че повреда поради претоварване или неправилно манипулиране с инструмента ще бъдат изключени от гаранцията (за условията на гаранцията от SKIL виж на интернет адрес: [www.skil.com](http://www.skil.com) или попитайте вашия дилър)

## ОПАЗВАНЕ НА ОКОЛНАТА СРЕДА

- **Не изхвърляйте електроуредите, батерии, приспособленията и опановките заедно с битови отпадъци** (само за страни от ЕС)  
- съобразно Директивата на ЕС 2012/19/ЕО относно износени електрически и електронни уреди и отразяването ѝ в националното законодателство износените електроуреди следва да се събират отделно и да се предават за рециклиране според изискванията за опазване на околната среда  
- символът ⑥ ще ви напомни за това, когато е необходимо изхвърляне  
**! преди да изхвърлите батерията, защитете изводите ѝ с дебела лепенка, за да няма опасност от възникване на късо съединение**

## ШУМ / ВИБРАЦИИ

- Измерено в съответствие с EN 62841, нивото на звуковото налягане на този инструмент е 90 dB(A), а нивото на звуковата мощност 98 dB(A) (неопределеност K = 5 dB) и вибрацията \* (триаксиална векторна сума; неопределеност K = 1,5 m/s<sup>2</sup>)  
\* при пробиване в метал 12,41 m/c<sup>2</sup>  
\* при ударно побиване в бетон 14,49 m/c<sup>2</sup>
- Нивото на предадените вибрации е измерено в съответствие със стандартизирания тест, определен в EN 62841; то може да се използва за сравнение на един инструмент с друг и като предварителна оценка на подлагането на вибрации при използването на инструмента за посочените приложения  
- използването на инструмента за различни от тези приложения или с други, или лошо поддържани аксесоари може значително да повиши нивото, на което сте подложени  
- периодите от време, когато инструмента е изключен или съответно включен, но с него не се работи в момента могат значително да намалят нивото на което сте подложени

**! предпазвайте се от ефектите от вибрациите, като поддържате инструмента и аксесоарите му, пазете ръцете си топли и организирате вашите модели на работа**

SK

## Bezkontaktná príklepová vrtačka

3021

### ÚVOD

- Toto náradie je určené na uťahovanie a povoľovanie skrutiek, ako aj na vŕtanie do dreva, keramiky a plastov a na príklepové vŕtanie do tehly.
- Toto náradie nie je vhodné pre profesionálne použitie.
- Prečítajte a uschovajte si tento návod na použitie.③

### TECHNICKÉ ÚDAJE ①

Max. krútiaci moment pre pevné skrutkovanie podľa ISO 5393: 55 Nm

### ČASTI NÁRADIA ②

- A Hlavný vypínač a ovládanie rýchlosti
- B Krúžok na riadenie krútiaceho momentu
- C Poloha na príklepové vŕtanie
- D Poloha na vŕtanie
- E Poloha na skrutkovanie
- F Prepínač na zmenu funkcie
- G Prepínač rýchlostných stupňov
- H Vetracie štrbiny
- J Prepínač na zmenu smeru otáčania
- K PRACOVNÉ SVETLO
- L Skľučovadlo
- M Tlačidlo indikátora nabitia akumulátora
- N Obojstranný bit

### BEZPEČNOSŤ

#### VŠEOBECNÉ BEZPEČNOSTNÉ UPOZORNENIA PRE ELEKTRICKÉ NÁRADIE

**VAROVANIE** Prečítajte si všetky bezpečnostné výstrahy, pokyny, ilustrácie a technické údaje dodané s týmto elektrickým nástrojom. Nedodržanie nižšie uvedených pokynov môže mať za následok úraz elektrickým prúdom, požiar a/alebo vážne zranenie.

**Všetky varovania a pokyny si ponechajte pre prípadnú potrebu v budúcnosti.**

Pojem „elektrický nástroj“ vo varovaniach sa vzťahuje na váš elektrický nástroj napájaný zo siete (s káblom) alebo nástroj napájaný z akumulátora (bez kábla).

#### 1) BEZPEČNOSŤ PRACOVISKA

- Udržiavajte pracovisko čisté a dobre osvetlené.**  
Neporiadok alebo tmavé miesta spôsobujú nehody.
- Nepoužívajte elektrické náradie vo výbušnom prostredí, napríklad v prítomnosti horľavých kvapalín, plynov alebo prachu.** Elektrické náradie je

- zdrojom iskrenia, ktoré môže zapáliť prach alebo výpary.
- c) **Pri používaní elektrického náradia udržiavajte deti a okolostojace osoby mimo pracoviska.** Rozptyľovanie pozornosti môže viesť ku strate kontroly.
- 2) **ELEKTRICKÁ BEZPEČNOSŤ**
- a) **Zástrčka elektrického náradia musí zodpovedať elektrickej zásuvke. Nikdy a žiadnym spôsobom nemodifikujte zástrčku. Nepoužívajte žiadne rozbočovacie zástrčky s uzemneným elektrickým náradím.** Neupravené zástrčky a vhodné zásuvky obmedzia nebezpečenstvo úrazu elektrickým prúdom.
- b) **Zabráňte kontaktu tela s uzemnenými povrchmi, ako sú rúry, radiátory, sporáky a chladničky.** Dochádza k zvýšeniu rizika úrazu elektrickým prúdom, ak je vaše telo uzemnené.
- c) **Chráňte elektrické náradie pred dažďom a vlhkým prostredím.** Vniknutie vody do elektrického náradia zvyšuje riziko úrazu elektrickým prúdom.
- d) **Nepoužívajte kábel nesprávnym spôsobom. Nepoužívajte ho na prenášanie, ťahanie alebo odpájanie elektrického náradia. Udržujte kábel v dostatočnej vzdialenosti od zdrojov tepla, oleja, ostrých hrán alebo pohyblivých častí.** Poškodená alebo zamotaná šnúra zvyšuje riziko zasiahnutia elektrickým prúdom.
- e) **Ak sa chystáte náradie použiť v exteriéroch, použite výhradne predĺžovaciu šnúru vhodnú na použitie v exteriéroch.** Použitie šnúry vhodnej pre použitie v exteriéroch znižuje riziko úrazu elektrickým prúdom.
- f) **Ak je používanie elektrického náradia vo vlhkom prostredí nevyhnutné, použite napájanie chránené prúdovým chráničom (RCD).** Použitie prúdového chrániča znižuje riziko úrazu elektrickým prúdom.
- 3) **BEZPEČNOSŤ OSÔB**
- a) **Buďte pozorní, sledujte to, čo robíte a používajte zdravý rozum pri práci s elektrickým náradím.** Nepoužívajte elektrické náradie, ak ste unavení alebo pod vplyvom drog, alkoholu alebo liekov. Chvilková nepozornosť pri práci s elektrickým náradím môže mať za následok vážne zranenie.
- b) **Používajte osobné ochranné pomôcky. Vždy používajte ochranu očí.** Ochranné prostriedky ako respirátor, protišmyková bezpečnostná obuv, prilba alebo chrániče sluchu použité za vhodných podmienok znižujú nebezpečenstvo zranenia.
- c) **Zabráňte neúmyselnému uvedeniu do prevádzky. Pred pripojením k zdroju napájania a/alebo akumulátoru, pri zdvíhaní alebo prenášaní náradia sa uistite, že prepínač je vo vypnutej polohe.** Prenášanie náradia s prstom na spínači, alebo prenášanie zapnutého elektrického náradia zvyšuje riziko úrazu.
- d) **Pred spustením náradia vždy odstráňte nastavovací klin alebo kľúč.** Kľúč alebo klin, ktorý necháte pripustený k otáčajúcej sa časti elektrického náradia, môže spôsobiť zranenie osôb.
- e) **Neprecaňujte sa. Pri práci vždy dodržujte správny postoj a rovnováhu.** To umožňuje lepšiu ovládateľnosť náradia v nečakaných situáciách.
- f) **Noste vhodné oblečenie. Nenoste šperky alebo voľný odev. Udržujte vlasy a oblečenie mimo dosah pohyblivých častí.** Voľný odev, šperky alebo dlhé vlasy môžu byť zachytené pohyblivými časťami.

- g) **Pokiaľ je náradie vybavené zariadením na zachytávanie prachu a úlomkov materiálu, skontrolujte, či je k náradíu správne pripojené.** Použitie odsávania prachu môže znížiť nebezpečenstvo, ktoré súvisí s prachom.
- h) **Nedovoľte, aby ste sa po získaní skúsenosti častým používaním náradia stali neobozretnými a ignorovali zásady bezpečnosti.** Nedbalá činnosť môže spôsobiť vážne zranenie za zlomok sekundy.
- 4) **POUŽITIE ELEKTRICKÉHO NÁRADIA A STAROSTLIVOSŤ**
- a) **Stroj nepreťažujte. Používajte správny typ náradia určený na danú prácu.** Náradie bude pracovať lepšie a bezpečnejšie pri rýchlosti, na ktorú bolo navrhnuté.
- b) **Nepoužívajte elektrické náradie, ak sa nedá zapnúť a vypnúť použitím vypínača.** Akékoľvek elektrické náradie, ktoré sa nedá ovládať vypínačom je nebezpečné a musí sa opraviť.
- c) **Pred akýmikoľvek úpravami, výmenou príslušenstva alebo uskladnením elektrického nástroja odpojte zástrčku od zdroja napájania a/alebo vyberte z nástroja akumulátor, ak je odpojitelný.** Takéto preventívne bezpečnostné opatrenia znižujú riziko náhodného spustenia elektrického náradia.
- d) **Uchovávajte nepoužívané elektronáradie mimo dosahu detí a nedovoľte, aby osoby neoboznámené s elektrickým náradím alebo s týmito pokynmi náradie používali.** Elektrické náradie je nebezpečné v rukách neskúsených používateľov.
- e) **Udržujte elektrické náradie a príslušenstvo. Skontrolujte nastavenie pohyblivých častí, poškodenie dielov a akékoľvek ďalšie okolnosti, ktoré môžu mať vplyv na funkciu elektrického náradia. Ak je elektrické náradie poškodené, nechajte ho pred použitím opraviť.** Veľa úrazov je zapríčinených zle udržiavaným náradím.
- f) **Strihacie náradie udržiavajte ostré a čisté.** Starostlivo ošetrované strihacie náradie s ostrými čepeľami menej pravdepodobne uviazne a jednoduchšie sa ovláda.
- g) **Používajte elektronáradie, príslušenstvo, náklady apod. podľa týchto pokynov a rešpektujte pritom pracovné podmienky a vykonávanú činnosť.** Použitie elektrického náradia na iné ako určené účely môže viesť k nebezpečným situáciám.
- h) **Udržujte rukoväte a uchopovacie plochy suché, čisté, bez oleja a maziva.** Klzké držadlá a uchopovacie plochy neumožňujú bezpečnú manipuláciu s náradím a jeho ovládanie v nečakaných situáciách.
- 5) **POUŽÍVANIE A STAROSTLIVOSŤ O NÁRADIE NA AKUMULÁTOR**
- a) **Nabíjajte len pomocou nabíjačky špecifikovanej výrobcom.** Nabíjačka, ktorá je vhodná pre jeden typ akumulátora, môže predstavovať pri nabíjaní iného typu akumulátora nebezpečenstvo.
- b) **Používajte elektrické náradie iba s výslovné určenými akumulátormi.** Použitie iných typov akumulátorov môže spôsobiť riziko úrazu a požiaru.
- c) **Pokiaľ akumulátor nepoužívate, držte ho mimo dosahu kovových predmetov, ako sú kancelárske sponky na papier, mince, kľúče, klince, skrutky alebo ďalšie drobné kovové predmety, ktoré môžu spôsobiť vzájomné skratovanie kontaktov.** Skratovanie kontaktov akumulátora môže spôsobiť

popáleniny alebo požiar.

- d) **Za nevhodných podmienok môže z akumulátora unikáť kvapalina. Zabráňte kontaktu. Pri náhodnom kontakte opláchnite vodou. Pri zasiahnutí očí vyhľadajte lekársku pomoc.** Unikajúca kvapalina z akumulátora môže spôsobiť podráždenie pokožky alebo popáleniny.
- e) **Nepoužívajte akumulátor alebo náradie, ktoré sú poškodené alebo upravené.** Poškodené alebo upravené akumulátory môžu mať nepredvídateľné chovanie, ktoré môže viesť k požiaru, výbuchu alebo nebezpečenstvu poranenia.
- f) **Nevystavujte akumulátor ani náradie ohňu alebo nadmernej teplote.** Pri vystavení ohňu alebo teplote nad 130 ° C môže dôjsť k výbuchu.
- g) **Dodržujte všetky pokyny pre nabíjanie a nenabíjajte akumulátor alebo náradie mimo rozsah teplôt uvedených v pokynoch.** Nesprávne nabíjanie alebo nabíjanie pri teplotách mimo stanovený rozsah môže poškodiť akumulátor a zvýšiť riziko požiaru.
- 6) **SERVIS**
  - a) **Náradie zverte do opravy kvalifikovanej osobe, ktorá použije iba originálne náhradné diely.** Zabezpečíte tak zachovanie bezpečnosti elektrického náradia.
  - b) **Nikdy neopravujte poškodené akumulátory.** Servis akumulátorov smie robiť iba výrobca alebo autorizovaní servisní poskytovatelia.

## BEZPEČNOSTNÉ POKYNY PRE AKUMULÁTOROVÉ VRTÁČIE KLADIVO

### 1) BEZPEČNOSTNÉ POKYNY PRE VŠETKY ČINNOSTI

- a) **Pri príklepovom vrtaní používajte chrániče sluchu.** Vystavenie hluku môže spôsobiť stratu sluchu.
- b) **Pri vykonávaní operácie, pri ktorej sa rezné príslušenstvo alebo spojovací prvok môže dotýkať skrytého vedenia, držte elektrické náradie za izolované uchopovacie povrchy.** Kontakt rezacieho príslušenstva alebo upevňovacieho prvku s vedením, ktoré je pod napätím, spôsobí, že aj kovové súčiastky náradia sa dostanú pod napätie, čo môže spôsobiť zásah operátora elektrickým prúdom.
- 2) **BEZPEČNOSTNÉ POKYNY PRI POUŽÍVANÍ DLHÝCH VRTÁČOK**
  - a) **Nikdy nepracujte pri vyššej rýchlosti, ako je maximálna menovitá rýchlosť vrtáka.** Pri vyšších rýchlostiach sa vrták môže ohnúť, keď sa točí voľne bez kontaktu s obrobkom.
  - b) **Vždy začnite vrtáť pri nízkej rýchlosti a pri kontakte špičky vrtáka s obrobkom.** Pri vyšších rýchlostiach sa vrták môže ohnúť, keď sa točí voľne bez kontaktu s obrobkom.
  - c) **Aplikujte tlak len v priamom smere so špičkou a nevyvíjajte nadmerný tlak.** Vrtáky sa môžu ohnúť a zlomiť sa alebo spôsobiť stratu kontroly a následne spôsobiť zranenie.

### VŠEOBECNE

- Prach z materiálu, akým je náter obsahujúci olovo, niektoré druhy dreva, minerály a kovy môže byť škodlivý (kontakt alebo vdýchnutie prachu môže spôsobiť alergické reakcie a/alebo respiračné ochorenia obsluhy a okolostojacich osôb); **používajte ochrannú masku tváre a pracujte so zariadením na odsávanie prachu,**

### ak je takéto zariadenie možné pripojiť

- Určité druhy prachu sú klasifikované ako karcinogénne (napr. dubový a bukový prach), a to hlavne v spojení s prísadami na úpravu dreva; **používajte tvárovú ochrannú masku a pracujte so zariadením na odsávanie prachu, ak je takéto zariadenie možné pripojiť**
- Dodržujte stanovené nariadenia pre prácu v prašnom prostredí
- **Neobrábajte materiál, ktorý obsahuje azbest** (azbest sa považuje za rakovinotvorný materiál)
- Zabezpečte, aby vypínač J(2) bol v strednej (uzamknutej) polohe predtým, ako budete nastavovať alebo meniť príslušenstvo a rovnako aj pred prenášaním alebo uskladnením nástroja

### PRÍSLUŠENSTVO

- SKIL zabezpečí hladký chod nástroja len ak sa používa pôvodné príslušenstvo
- Používajte iba príslušenstvo, u ktorého hodnota prípustných obrátok zodpovedá minimálne najvyšším obrátkam náradia

### PRED POUŽITÍM

- Zabráňte poškodeniu náradia skrutkami, klineciami a inými kovovými predmetmi v obrobku; odstráňte ich predtým, než začnete pracovať
- **Zaistite obrábaný diel** (obrábaný diel uchytený pomocou upínacích zariadení alebo vo zveráku je oveľa bezpečnejší ako držaný v ruke).
- **Na vyhľadanie skrytých elektrických vedení, plynových a vodovodných potrubí použite vhodné vyhľadávacie prístroje, alebo sa spojte s príslušným dodávateľom** (kontakt s elektrickým vedením môže mať za následok vznik požiaru alebo spôsobí zásah elektrickým prúdom; poškodenie plynového potrubia môže spôsobiť výbuch; prevrtanie vodovodného potrubia spôsobí vecné škody, alebo môže spôsobiť zásah elektrickým prúdom)

### AKUMULÁTORY

- **Dodaná batéria je prípadne čiastočne nabitá** (na zaručenie plnej kapacity akumulátora ho pred prvým zapnutím prístroja úplne nabite v nabíjačke)
- **S týmto náradím používajte len nasledujúce akumulátory a nabíjačky**
  - Akumulátor SKIL: BR1\*31\*\*\*\*
  - Nabíjačka SKIL: CR1\*31\*\*\*\*
- Nepoužívajte batériu, keď je poškodená; mala by sa okamžite vymeniť
- Akumulátor nerozoberajte
- Náradie ani akumulátor nevystavujte dažďu
- Povolená teplota okolia (náradie/nabíjačka/akumulátor):
  - pri nabíjaní 4...40 ° C
  - pri prevádzke - 20...+ 50 ° C
  - pri skladovaní - 20...+ 50 ° C

### VYSVETLENIE SYMBOLOV UMIESTNENÝCH NA NÁRADÍ/AKUMULÁTORE

- ③ Pred použitím si prečítajte návod na obsluhu
- ④ Akumulátory po vhození do ohňa vybuchnú a preto ich nevhadzujte do ohňa zo žiadneho dôvodu.
- ⑤ Náradie, nabíjačku a akumulátor skladujte na miestach, kde teplota neprekročí 50 ° C
- ⑥ Nevyhadzujte elektrické náradie a akumulátory do komunálneho odpadu

## POUŽITIE

- Kombinovaný hlavný vypínač a ovládanie rýchlosti A ②
    - rýchlosť plynule regulujte od 0 do maxima tým, že vyvíjate menší alebo väčší tlak na spínač
  - Nabíjanie akumulátora
    - ! prečítajte si bezpečnostné výstrahy a pokyny dodané s nabíjačkou**
  - Vybratie/inštalácia akumulátora ②
  - Kontrolka nabitia akumulátora ⑦
    - tlačenie tlačidla kontrolky nabitia akumulátora M zobrazí aktuálny stav akumulátora ⑦a
    - ! keď po stlačení tlačidla M ⑦b začne blikať najnižšia úroveň kontrolky, akumulátor je vybitý**
    - ! keď po stlačení tlačidla M ⑦c začnú blikať 2 úrovně kontrolky akumulátora, akumulátor sa nenachádza v prípustnom rozsahu prevádzkových teplôt**
  - Zmena smeru otáčania ⑧
    - ak nie je správne nastavený v polohe doľava/doprava, spínač A ② sa nedá aktivovať
    - ! meňte smer otáčania, len keď je nástroj úplne nečinný**
  - Výmena hrotov ⑨
    - ! nepoužívajte hroty s poškodenou stopkou**
  - Ovládanie krútiaceho momentu (VariTorque) ⑩
    - výstupný moment bude rásť, keď sa krúžok skľučovadla B otáča od 1 po 17
    - keď zatáhujete skrutku, najprv sa pokúste s polohou skľučovadla VariTorque 1 a zvyšujte to, kým sa nedosiahne požadovaná hĺbka
    - poloha D zablokuje spojku, aby sa umožnilo (bezpríkľepové) vŕtanie alebo vykonávanie veľmi ťažkej práce
    - poloha C zablokuje spojku, aby bolo možné iba vŕtanie s príklepom
    - ! uistite sa, že volič prevodov G je v polohe 2, keď je volič funkcie F v polohe vŕtania s príklepom**
    - ! nepoužívajte polohu C na vŕtanie s príklepom na vŕtanie do dreva, kovu, keramiky a plastu, aby ste zabránili poškodeniu vŕtáka/skrutkovacieho hrotu**
  - Mechanické prepínanie prevodov ⑪
    - nastavte prepínač G na požadovanú rýchlosť
    - ! prepínač prevodov nastavujte, keď sa nástroj otáča pomaly**
- 1**
- pomalá rýchlosť
  - vysoké momenty
  - pre skrútkovanie a vŕtanie veľkých priemerov
  - pre rezanie vnútorných závitov
- 2**
- vysoká rýchlosť
  - nízke momenty
  - na príklepové vŕtanie
  - na vŕtanie malých priemerov
- PRACOVNÉ SVETLO K ⑫
  - PRACOVNÉ SVETLO K sa rozsvieti, keď je náradie zapnuté.
  - ! keď PRACOVNÉ SVETLO začne blikať, aktivuje sa ochrana akumulátora (pozri nižšie)**
- Ochrana akumulátora
  - Náradie sa náhle vypína alebo sa nedá zapnúť v prípade, že
  - **je príliš vysoká záťaž** --> odstráňte záťaž a reštartujte
  - **teplota akumulátora nie je v prípustnom rozsahu**

**prevádzkových teplôt - 20 až + 50 ° C** --> 2 úrovne kontrolky stavu akumulátora začnú blikať po stlačení tlačidla M ⑦c; počkajte, kým sa akumulátor nevráti do povoleného rozsahu prevádzkových teplôt

- **akumulátor je takmer vybitý (na ochranu pred hlbokým vybitím)** --> po stlačení tlačidla M sa na indikátore úrovne akumulátora zobrazí nízka úroveň nabitia akumulátora alebo blikanie nízkej úrovne nabitia akumulátora ⑦b; nabite akumulátor

**! potom ako sa náradie automaticky vypne, nestláčajte hlavný vypínač, môže sa poškodiť akumulátor**

- Držanie a vedenie nástroja ⑬
  - ! pri práci držte náradie vždy za sivo zafarbené úchopové oblasti**
  - nechajte vetracie štrbiny H ② nezakryté
  - na nástroj príliš netlačte; nechajte nástroj robiť prácu za vás

## APLIKAČNÉ RADY


- Používajte vhodné hroty ⑭
  - ! používajte len ostré hroty**
- Vŕtanie železných kovov
  - keď je treba vyvŕtať väčšiu dieru, najskôr predvŕtajte menšiu dieru
  - natrite vŕtacie hroty z času na čas olejom
- Pri zatahovaní skrutky v blízkosti rezu alebo na hrane dreva by sa mala predvŕtať diera, aby sa zabránilo prasknutiu dreva
- Pre optimálne použitie nástroja sa vyžaduje rovnomerný tlak na skrutku, hlavne pri vyberaní
- Pri zaskrutkovaní do tvrdého dreva by sa mala predvŕtať diera
- Vŕtanie do dreva bez triesok ⑮
- Bezprachové vŕtanie do tehál ⑯
- Bezprachové vŕtanie do stropov ⑰
- Vŕtanie do kachličiek bez kĺzania ⑱
- Ďalšie informácie nájdete na adrese [www.skil.com](http://www.skil.com)

## ÚDRŽBA/SERVIS

- Toto náradie nie je vhodné pre profesionálne použitie
- Náradie neustále udržiajte čisté (najmä vetracie štrbiny H ②)
  - ! pred čistením vyberte akumulátor z náradia**
- Ak by náradie napriek starostlivej výrobe a kontrole predsa len prestalo niekedy fungovať, nechajte opravu vykonať v autorizovanej servisnej opravovni elektrického náradia SKIL
  - pošlite náradie v nerozloženom stave spolu s dokladom o kúpe vášmu predajcovi alebo najbližšej servisnej stanici SKIL (adresy a servisný diagram náradia sú uvedené na [www.skil.com](http://www.skil.com))
- Uvedomte si, že poškodenie spôsobené preťažením alebo nesprávnym zaobchádzaním bude zo záruky vylúčené (záručné podmienky spoločnosti SKIL nájdete na stránke [www.skil.com](http://www.skil.com) alebo si ich vyžiadajte u vášho predajcu)

## ŽIVOTNÉ PROSTREDIE

- Elektrické náradie, akumulátory, príslušenstvo a balenie nevyhadzujte do komunálneho odpadu (len pre štáty EÚ)

- v súlade s európskou smernicou 2012/19/ES o odpade z elektrických a elektronických zariadení a jej implementácie v súlade s vnútroštátnymi právnymi predpismi musí byť elektrické náradie, ktoré dosiahlo koniec svojej životnosti, zbierané oddelene od ostatného odpadu a musí sa vrátiť do ekologického recyklačného zariadenia
- pripomenie vám to symbol , keď nastane čas likvidácie

**! pred likvidáciou prelepte vývody akumulátora hrubou páskou, aby ste zabránili skratu**

## HLUK / VIBRÁCIE


- Hladina akustického tlaku tohto nástroja meraná v súlade s normou EN 62841 je 90 dB(A) a hladina akustického výkonu 98 dB(A) (neurčitost K = 5 dB) a vibrácie \* (vektorový súčet troch osí; neurčitost K = 1,5 m/s<sup>2</sup>)
    - \* pri vŕtaní do kovu 12,41 m/s<sup>2</sup>
    - \* pri priklepovom vŕtaní do betónu 14,49 m/s<sup>2</sup>
  - Úroveň vibrácií bola nameraná v súlade so štandardizovanou skúškou uvedenou v EN 62841; môže sa použiť na porovnanie jedného náradia s iným a ako predbežné posúdenie vystavenia vibráciám pri použití náradia na uvedené aplikácie
    - používanie náradia na rôzne aplikácie alebo s rôznym alebo nedostatočne udržiavaným príslušenstvom môže výrazne **zvýšiť** úroveň expozície
    - časy, počas ktorých je náradie vypnuté, alebo počas ktorých náradie beží, ale v skutočnosti nevykonáva prácu, môžu **značne** znížiť úroveň expozície
- ! chráňte sa pred účinkami vibrácií tak, že budete náradie a jeho príslušenstvo správne udržiavať, že nebudete pracovať so studenými rukami a že si vaše pracovné postupy správne zorganizujete**

HR

## Udarna bušilica bez čетка

3021

### UVOD

- Ovaj je alat predviđen za pritezanje i otpuštanje vijaka, za bušenje u drvu, keramici i plastici te za udarno bušenje u cigli.
- Ovaj alat nije predviđen za profesionalnu upotrebu.
- Pročitajte i sačuvajte ove upute za upotrebu. 

### TEHNIČKI PODACI

Maks. moment pritezanja za tvrdo vijčanje prema standardu ISO 5393: 55 Nm

### DIJELOVI ALATA

- A Prekidač za uključivanje/isključivanje i regulaciju brzine
- B Prsten za regulaciju momenta pritezanja
- C Položaj udarnog bušenja
- D Položaj bušenja
- E Položaj vijčanja
- F Prekidač za promjenu funkcije
- G Prekidač za odabir brzine
- H Ventilacijski otvori

- J Prekidač za promjenu smjera rotacije
- K RADNO SVJETLO
- L Stezna glava
- M Gumb indikatora razine napunjenosti baterije
- N Nastavak s dva kraja

## SIGURNOST

### OPĆA SIGURNOSNA UPOZORENJA ZA ELEKTRIČNE ALATE

**! UPOZORENJE** Pročitajte sva sigurnosna upozorenja, sve upute, ilustracije i specifikacije isporučene s ovim električnim alatom. Zanimarivanje svih uputa navedenih u nastavku može rezultirati strujnim udarom, požarom i/ili teškim ozljedama.

### Sačuvajte sva upozorenja i sve upute za buduće potrebe.

Pojam "električni alat" u upozorenjima odnosi se na vaš električni alat na strujni pogon (s kabelom) ili električni alat na baterijski pogon (bez kabela).

#### 1) SIGURNOST RADNOG PODRUČJA

- a) **Radno područje održavajte čistim i dobro osvijetljenim.** Pretrpana ili mračna područja izazivaju nesreće.
- b) **Električnim alatom nemojte rukovati u eksplozivnim atmosferama, primjerice u prisutnosti zapaljivih tekućina, plinova ili prašine.** Električni alat stvara iskre koje mogu zapaliti prašinu ili isparenja.
- c) **Udaljite djecu i promatrače za vrijeme rada s električnim alatom.** Ometanja mogu rezultirati gubitkom kontrole nad alatom.

#### 2) ELEKTRIČNA SIGURNOST

- a) **Utičkači električnog alata moraju odgovarati utičnici.** Nemojte nikada raditi preinake utikača. Utičake adaptera nemojte upotrebljavati s uzemljenim električnim alatima. Nepreinačeni utikači i odgovarajuće utičnice smanjit će rizik od električnog udara.
- b) **Izbjegavajte kontakt tijela s uzemljenim površinama, kao što su cijevi, radijatori, peći i rashladni uređaji.** Postoji povećan rizik od strujnog udara ako je vaše tijelo uzemljeno.
- c) **Električni alat ne izlažite kiši ili mokrim uvjetima.** Prodiranje vode u električni alat povećat će rizik od strujnog udara.
- d) **Kabel ne upotrebljavajte nepropisno.** Kabel nemojte nikada upotrebljavati za nošenje, povlačenje ili odspajanje električnog alata od strujnog napajanja. Kabel držite podalje od topline, ulja, oštih rubova ili pokretnih dijelova. Oštećeni ili isprepleteni kabeli povećavaju rizik od strujnog udara.
- e) **Kada električnim alatom radite na otvorenom, upotrebljavajte produžni kabel prikladan za upotrebu na otvorenom.** Upotrebom kabela prikladnog za upotrebu na otvorenom smanjuje se rizik od strujnog udara.
- f) **Ako je rad s električnim alatom u području s parom neizbježan, upotrebljavajte napajanje sa zaštitnim uređajem diferencijalne struje (RCD).** Upotrebom

zaštitnog uređaja diferencijalne struje smanjuje se rizik od strujnog udara.

### 3) OSOBNA SIGURNOST

- a) **Budite oprezni, gledajte što radite i vodite se načelima zdravog razuma kada radite s električnim alatom. Nemojte raditi s električnim alatom ako ste umorni ili pod utjecajem opojnih sredstava, alkohola ili lijekova.** Trenutak nepažnje tijekom rada s električnim alatom može rezultirati teškim tjelesnim ozljedama.
- b) **Upotrebjavajte osobnu zaštitnu opremu. Uvijek nosite zaštitu za oči.** Zaštitna oprema poput maske za zaštitu od prašine, neklizajuće sigurnosne obuće, kacige ili zaštitne za sluh upotrijebljena za prikladne uvjete smanjit će tjelesne ozljede.
- c) **Spriječite nenamjerno pokretanje. Prije spajanja na izvor napajanja i/ili baterijski modul, uzimanja ili nošenja alata uvjerite se da se prekidač nalazi u isključenom položaju.** Nošenje električnih alata s prstom na prekidaču ili napajanje električnih alata koji imaju uključen prekidač izaziva nesreće.
- d) **Prije uključivanja električnog alata, uklonite sve ključeve za podešavanje ili stezne ključeve.** Ključ ili ključ za podešavanje ostavljen na rotacijskom dijelu električnog alata može rezultirati tjelesnim ozljedama.
- e) **Nemojte se naginjati preko alata.** Cijelo vrijeme održavajte propisno držanje i ravnotežu. To će omogućiti bolju kontrolu nad električnim alatom u neočekivanim situacijama.
- f) **Obucite se prikladno. Nemojte nositi široku odjeću i nakit. Kosu i odjeću držite podalje od pokretnih dijelova.** Pokretni dijelovi mogu zahvatiti široku odjeću, nakit ili dugu kosu.
- g) **Ako su uređaji opremljeni priključkom za odvod i sakupljanje prašine, pobrinite se da se propisno spoje i upotrebjavaju.** Upotreba sustava za sakupljanje prašine može smanjiti opasnosti koje se odnose na prašinu.
- h) **Nemojte dopustiti da vas poznavanje alata stečeno čestom upotrebom učini samodopadnim te da ignorirate sigurnosna načela za alat.** Nepažljiv rad može rezultirati teškim ozljedama u djeliću sekunde.
- 4) **UPOTREBA I NJEGA ELEKTRIČNOG ALATA**
  - a) **Nemojte preopterećivati električni alat.** Upotrebjavajte propisan električni alat za svoju primjenu. Propisan električni alat bolje će i sigurnije obaviti zadatak brzinom za koju je konstruiran.
  - b) **Nemojte upotrebjavati električni alat ako ga prekidač ne uključuje i isključuje.** Svaki električni alat koji se ne može kontrolirati prekidačem opasan je i potrebno ga je popraviti.
  - c) **Prije podešavanja, zamjene dodatne opreme ili skladištenja električnih alata odspojite utikač od izvora napajanja i/ili uklonite baterijski modul, ako je odvojiv, s električnog alata.** Takve preventivne sigurnosne mjere smanjuju rizik od iznenadnog pokretanja električnog alata.
  - d) **Nekorištene električne alate skladištite izvan dohvata djece i nemojte dopustiti osobama koje ne poznaju električni alat ili ove upute da rukuju električnim alatom.** Električni alati opasni su u rukama neobučениh korisnika.
  - e) **Održavajte električne alate i dodatnu opremu.** Provjerite jesu li pokretni dijelovi centrirani ili

spojeni, ima li polomljenih dijelova i postoji li stanje koje može utjecati na rad električnog alata.

**Ako je oštećen, električni alat dajte na popravak prije upotrebe.** Loše održavani električni alati uzrok su mnogih nesreća.

- f) **Rezne alate održavajte oštroma i čistima.** Propisno održavani rezni alati s oštirim reznim bridovima manje su skloni zaglavljivanju i lakši su za upravljanje.
- g) **Električni alat, dodatnu opremu i alatne nastavke i sl., upotrebjavajte u skladu s ovim uputama, uzimajući u obzir radne uvjete i zadatak koji je potrebno obaviti.** Upotreba električnog alata za radove drukčija od namjenske može rezultirati opasnim situacijama.
- h) **Rukohvate i površinu rukohvata održavajte suhim, čistim i očišćenim od ulja i masti.** Skliski rukohvati i skliske površine rukohvata onemogućuju sigurno rukovanje i upravljanje alatom u neočekivanim situacijama.
- 5) **UPOTREBA I NJEGA BATERIJSKOG ALATA**
  - a) **Punjenje obavljajte samo s punjačem kojeg je naveo proizvođač.** Punjač koji je prikladan za jedan tip baterijskog modula može izazvati rizik od požara ako ga se upotrebljava s drugim baterijskim modulom.
  - b) **Električni alat upotrebjavajte samo s izričito propisanim baterijskim modulima.** Upotreba drugih baterijskih modula može izazvati rizik od ozljeda i požara.
  - c) **Kada se baterijski modul ne upotrebljava, držite ga podalje od drugih metalnih predmeta poput spajalica za papir, kovanica, ključeva, čavala, vijaka ili drugih malih metalnih predmeta koji mogu međusobno spojiti kontakte.** Kratko spajanje baterijskih kontakata može prouzročiti opekline ili požar.
  - d) **U slučaju neprimjerene upotrebe, baterija može izbaciti tekućinu; izbjegavajte kontakt. Ako slučajno dođe do doticaja, zahvaćena mjesta isperite vodom. Ako tekućina dođe u doticaj s očima, dodatno potražite liječničku pomoć.** Tekućina koju izbaci baterija može prouzročiti nadražaj kože ili opekline.
  - e) **Ne upotrebjavajte baterijski modul ili alat koji je oštećen ili preinačen.** Oštećene ili preinačene baterije mogu pokazati nepredvidivo ponašanje koje može rezultirati požarom, eksplozijom ili opasnošću od ozljeda.
  - f) **Baterijski modul ili alat ne izlažite vatri ili visokim temperaturama.** Izlaganje vatri ili temperaturi višoj od 130 °C može prouzročiti eksploziju.
  - g) **Pridržavajte se svih uputa za punjenje, a baterijski modul ili alat nemojte puniti izvan raspona temperature navedenog u uputama.** Nepropisno punjenje ili punjenje pri temperaturama izvan okvira određenog raspona može oštetiti bateriju i povećati opasnost od požara.
- 6) **SERVISIRANJE**
  - a) **Servisiranje električnog alata povjerite kvalificiranom osoblju za popravak koje upotrebljava samo identične zamjenske dijelove.** Time će se osigurati održavanje sigurnosti električnog alata.
  - b) **Ne servisirajte oštećene baterijske module.** Servisiranje baterijskog modula smiju obavljati samo proizvođač ili ovlašteni serviseri.

**SIGURNOSNE NAPOMENE ZA AKUMULATORSKU UDARNU BUŠILICU**

## 1) SIGURNOSNE NAPOMENE ZA SVE RADOVE

- a) **Tijekom udarnog bušenja nosite štitnike za uši.** Izloženost buci može rezultirati gubitkom sluha.
- b) **Kada obavljate radove gdje rezni pribor ili pričrversni elementi mogu doći u kontakt sa sakrivenim ožičenjem, električni alat držite za izolirane površine ručke.** Rezni pribor ili pričrversni elementi koji dođu u kontakt sa žicom pod naponom izložene metalne dijelove električnog alata mogu staviti pod napon i prouzročiti strujni udar.
- ## 2) SIGURNOSNE NAPOMENE PRI UPOTREBI DUGAČKIH SVRDALA
- a) **Nemojte nikada raditi pri brzini višoj od maksimalne brzine svrdla.** Pri višim brzinama svrdlo se može saviti ako se dopusti slobodno okretanje bez doticanja obratka, što može rezultirati tjelesnim ozljedama.
- b) **Uvijek počinite bušiti pri niskoj brzini i s vrhom svrdla u kontaktu s obratkom.** Pri višim brzinama svrdlo se može saviti ako se dopusti slobodno okretanje bez doticanja obratka, što može rezultirati tjelesnim ozljedama.
- c) **Primijenite pritisak samo u izravnoj liniji sa svrdlom i nemojte primjenjivati prekomjerni pritisak.** Svrdla se mogu saviti i prouzročiti lom ili gubitak kontrole, što može rezultirati tjelesnim ozljedama.

## OPĆE

- Prašina od materijala kao što su boje koje sadrže olovo, neke vrste drva, minerala i metala mogu biti štetni (kontakt sa prašinom ili udisanje prašine može izazvati alergijske reakcije i/ili respiratorne bolesti kod rukovatelja ili prolaznika); **nosite masku za zaštitu od prašine i upotrebljavajte uređaj za odvod prašine kada se može priključiti.**
- Određene vrste prašine klasificirane su kao kancerogene (npr. prašina hrasta i bukve), posebno u kombinaciji s aditivima za obradu drva; **nosite masku za zaštitu od prašine i upotrebljavajte uređaj za odvod prašine kada se može priključiti.**
- Pridržavajte se nacionalnih zahtjeva za prašinu za materijale s kojima namjeravate raditi.
- **Nemojte obrađivati materijale koji sadrže azbest** (azbest se smatra kancerogenim).
- Prije podešavanja ili zamjene pribora, kao i nošenja ili skladištenja alata uvjerite se da je prekidač J② u središnjem (zabavljenom) položaju.

## PRIBOR

- SKIL može jamčiti besprijekoran rad alata samo ako se upotrebljava originalni pribor.
- Upotrebljavajte samo pribor s dopuštenom brzinom koja je u skladu s najmanje maksimalnom brzinom alata bez opterećenja.

## PRIJE UPOTREBE

- Izbjegavajte oštećenja koja mogu uzrokovati vijci, čavli i drugi elementi u vašem obratku; uklonite ih prije početka rada.
- **Osigurajte obradak** (obradak stegnut u stezaljkama ili u škripcu drži se sigurnije nego rukom).
- **Upotrijebite odgovarajuće detektore za pronalazak skrivenih vodova ili nazovite lokalno poduzeće za pomoć** (kontakt s električnim vodovima može dovesti do požara ili strujnog udara; oštećenje plinskih cijevi može rezultirati eksplozijom; probijanje vodovodnih cijevi prouzročit će materijalnu štetu ili strujni udar).

## BATERIJE

- **Ako je isporučena baterija, ona će biti djelomično napunjena** (kako biste osigurali potpuni kapacitet baterije, prije prve upotrebe električnog alata bateriju potpuno napunite u punjaču baterije).
  - **S ovim alatom upotrebljavajte samo sljedeće baterije i punjače:**
    - SKIL baterija: BR1\*31\*\*\*\*
    - SKIL punjač: CR1\*31\*\*\*\*
  - **Nemojte upotrebljavati oštećenu bateriju; oštećenu bateriju potrebno je odmah zamijeniti.**
  - **Nemojte rastavljati bateriju.**
  - **Alat/bateriju nemojte izlagati kiši.**
  - **Dopuštena temperatura okruženja (alat/punjač/baterija):**
    - pri punjenju 4...40 °C
    - tijekom rada -20...+50 °C
    - tijekom skladištenja -20...+50 °C
- ## OBJAŠNJENJE SIMBOLA NA ALATU/BATERIJI
- ③ Prije upotrebe pročitajte upute za upotrebu.
  - ④ Baterije mogu eksplodirati ako se odlože u vatru, stoga ih nemojte spaljivati.
  - ⑤ Alat/punjač/bateriju skladištite na mjestima gdje temperatura ne prelazi 50 °C.
  - ⑥ Električne alate i baterije nemojte zbrinjavati s kućnim otpadom.

## UPOTREBA

- Kombinirani prekidač za uključivanje/isključivanje i regulaciju brzine A ②
  - kontinuirana regulacija brzine od nule do maksimuma manjim ili većim pritiskom na okidač
- Punjenje baterije
  - ! **Pročitajte sigurnosna upozorenja i upute isporučene s punjačem.**
- Uklanjanje/ulaganje baterije ②
- Indikator razine napunjenosti baterije ⑦
  - Za prikaz trenutne razine napunjenosti baterije ⑦ a pritisnite gumb indikatora razine napunjenosti baterije M.
  - ! **Kada nakon pritiska na gumb M ⑦ b najniža razina indikatora razine napunjenosti baterije počne treperiti, baterija je prazna.**
  - ! **Kada nakon pritiska na gumb M ⑦ c 2 razine indikatora razine napunjenosti baterije počnu treperiti, baterija nije u okviru dopuštenog raspona radne temperature.**
- Promjena smjera rotacije ⑧
  - Ako nije propisno podešen u lijevi/desni položaj, prekidač A ② nije moguće aktivirati.
  - ! **Smjer rotacije mijenjajte samo kada je alat potpuno u stanju mirovanja.**
- Promjena bitova ⑨
  - ! **Nemojte upotrebljavati bitove oštećenog tijela.**
- Regulacija momenta pritezanja (VariTorque) ⑩
  - Izlazni moment pritezanja povećavat će se kako se prsten spojke B okreće od 1 do 17.
  - Kada zavijate vijak, najprije pokušajte VariTorque položaj 1 i povećavajte ga do postizanja željene dubine.
  - U položaju D spojka se blokira kako bi se omogućilo (neudarno) bušenje ili teški radovi bušenja.
  - U položaju C spojka se blokira kako bi se omogućilo samo udarno bušenje.
  - ! **Uvjerite se da je prekidač za odabir brzine G u položaju 2 kada je prekidač za odabir funkcije F u**

položaju udarnog bušenja.

**! Položaj udarnog bušenja C nemojte upotrebljavati za bušenje u drvu, metalu, keramici i plastici da izbjegnute oštećenje svrdla/bita.**

- Mehanički odabir brzine ⑪

- Prekidač za odabir brzine G stavite u položaj željene brzine.

**! Prekidač za odabir brzine aktivirajte dok alat radi polako.**

1

- mala brzina
- veliki moment pritezanja
- za vijčanje i bušenje velikih promjera
- za urezivanje navoja

2

- velika brzina
- mali moment pritezanja
- za udarno bušenje
- za bušenje malih promjera

- RADNO SVJETLO K ⑫

- RADNO SVJETLO K će svijetliti kada se alat uključi.

**! kada RADNO SVJETLO počne treptati, aktivira se zaštita baterije (pogledajte u nastavku)**

- Zaštita baterije

Alat se iznenada isključuje ili se neće uključiti kada

- **je opterećenje previsoko** --> uklonite opterećenje i ponovno pokrenite

- **temperatura baterije nije u okviru dopuštenog raspona radne temperature od -20 °C do +50 °C** --> 2 razine indikatora razine napunjenosti baterije počinju treperiti kada se pritisne gumb M ⑦c; pričekajte da se baterija vrati u dopušteni raspon radne temperature.

- **je baterija skoro prazna (za zaštitu od dubokog pražnjenja)** --> kada pritisnete gumb M, indikator razine napunjenosti baterije prikazuje nisku razinu baterije ili trepereću nisku razinu napunjenosti ⑦b; napunite bateriju.

**! Nemojte nastaviti pritiskati prekidač za uključivanje/isključivanje nakon automatskog isključivanja alata; može se oštetiti baterija.**

- Držanje i vođenje alata ⑬

**! Tijekom rada alat uvijek držite za sivo područje ručke.**

- Ventilacijske otvore H ② držite nepokrivenima.
- Nemojte previše pritiskati alat; neka alat obavi posao umjesto vas.

## SAVJETI ZA PRIMJENU

- Upotrebljavajte odgovarajuće bitove ⑭
- ! Upotrebljavajte samo oštre bitove.**
- Kod bušenja crnih metala
  - Prethodno izbušite manju rupu ako je potrebna velika rupa.
  - Svrdlo povremeno podmažite uljem.
- Pri navijanju vijka na/u području poprečnog reza ili ruba drva, prethodno izbušite rupu da izbjegnute pucanje drva.
- Za optimalnu upotrebu alata potreban je ravnomjeran pritisak na vijak, posebno pri uklanjanju.
- Pri navijanju u tvrdo drvo potrebno je prethodno izbušiti rupu.
- Bušenje u drvu bez iverja ⑮
- Bušenje u zidovima bez prašine ⑯

- Bušenje u stropovima bez prašine ⑰
- Bušenje u pločicama bez sklizavanja ⑱
- Više informacija potražite na internetskoj stranici [www.skil.com](http://www.skil.com).

## ODRŽAVANJE/SERVISIRANJE

- Ovaj alat nije predviđen za profesionalnu upotrebu.
- Alat uvijek održavajte čistim (posebno ventilacijske otvore H ②).
- ! Prije čišćenja izvadite bateriju iz alata.**
- Ako se dogodi da je alat neispravan unatoč pažljivoj proizvodnji i testiranju, popravak treba obaviti ovlašteni servisni centar za električne alate proizvođača SKIL.
  - Pošaljite nerastavljen uređaj zajedno s dokazom o kupnji svom prodavaču ili najbližem servisu SKIL (adrese i servisni dijagram alata možete pronaći na [www.skil.com](http://www.skil.com)).
- Imajte na umu da je šteta zbog preopterećenja ili nepravilnog rukovanja alatom isključena iz jamstva (pogledajte uvjete jamstva proizvođača SKIL na [www.skil.com](http://www.skil.com) ili obratite se svom zastupniku).

## ZAŠTITA OKOLIŠA

- **Električne alate, baterije, pribor i ambalažu nemojte zbrinjavati s kućnim otpadom** (samo za zemlje EU).
  - U skladu s europskom Direktivom 2012/19/EZ o otpadnoj električnoj i elektroničkoj opremi i njejoj implementaciji u nacionalno zakonodavstvo, električni alati koji su dostigli kraj radnog vijeka moraju se odvojeno prikupljati i slati na ekološki prihvatljivo recikliranje.
  - Simbol ⑥ će vas podsjetiti kada trebate obaviti zbrinjavanje.
- ! Prije zbrinjavanja zaštitite kontakte baterije debelom ljepljivom trakom da spriječite kratki spoj.**

## BUKA/VIBRACIJE

- Izmjereno u skladu s normom EN 62841, razina zvučnog tlaka ovog alata je 90 dB(A), a razina zvučne snage je 98 dB(A) (nesigurnost K = 5 dB), a vibracija \* (zbroj vektora troosnog sustava; nesigurnost K = 1,5 m/s<sup>2</sup>)
  - \* pri bušenju u metalu 12,41 m/s<sup>2</sup>
  - \* pri udarnom bušenju u betonu 14,49 m/s<sup>2</sup>
- Razina emisije vibracija izmjerena je u skladu sa standardiziranim testom prema normi EN 62841; može se upotrebljavati za usporedbu jednog alata s drugim i kao preliminarna procjena izloženosti vibracijama pri upotrebi alata za navedene primjene.
  - Upotreba alata za različite primjene ili s različitim ili loše održanim priborom može značajno **povećati** razinu izloženosti.
  - Vrijeme kada je alat isključen ili kada je uključen ali se ne upotrebljava, može značajno  **smanjiti** razinu izloženosti.
- ! Zaštitite se od utjecaja vibracija održavanjem alata i pripadajućeg pribora, održavanjem topline ruku i organiziranjem radnih obrazaca.**



## Udarna bušilica bez četkica

3021

### UVOD

- Ovaj alat je namenjen za zavrtnanje i odvrtnanje šrafova, kao i za bušenje drveta, keramike, plastike i za udarno bušenje cigle.
- Ovaj alat nije namenjen za profesionalnu upotrebu.
- Pročitajte i sačuvajte ovo uputstvo za rukovanje.③

### TEHNIČKI PODACI ①

Maks. obrtni momenat za teže slučajeve zavrtnanja prema ISO 5393: 55 Nm

### ELEMENTI ALATA ②

- A Prekidač za uključivanje/isključivanje i kontrolu brzine
- B Prsten za kontrolu obrtnog momenta
- C Položaj udarnog bušenja
- D Položaj bušenja
- E Položaj uvrtnanja
- F Prekidač za promenu funkcije
- G Prekidač za biranje brzine
- H Prerezi za ventilaciju
- J Prekidač za promenu smeru rotacije
- K RADNO SVETLO
- L Stezna glava
- M Dugme indikatora nivoa baterije
- N Dvostrana burgija

### SIGURNOST

#### OPŠTA SIGURNOSNA UPOZORENJA ZA ELEKTRIČNI ALAT

**⚠ UPOZORENJE** Pročitajte sva sigurnosna upozorenja, uputstva, ilustracije i specifikacije priložene uz ovaj električni alat. Nepridržavanje svih dolenađenih uputstava može da dovede do strujnog udara, požara i/ili ozbiljne povrede.

**Sačuvajte sva upozorenja i uputstva za buduću upotrebu.**

Pojam „električni alat“ u upozorenjima označava električni alat (sa žicom) koji se uključuje u utičnicu ili električni alat (bežični) na baterije.

- 1) BEZBEDNOST NA RADNOM PODRUČJU**
  - a) Održavajte radno područje čistim i dobro osvetljenim.** Na pretrpanim ili mračnim područjima su veće šanse da dođe do nezgoda.
  - b) Ne koristite električne alate u eksplozivnim atmosferama, kao na primer u prisustvu zapaljivih tečnosti, gasova ili prašine.** Električni alat stvara varnice koje mogu zapaliti prašinu ili isparenja.
  - c) Držite decu u prolaznike podalje dok koristite električni alat.** Ako vam nešto odvrati pažnju, možete izgubiti kontrolu.

#### 2) ELEKTRIČNA BEZBEDNOST

- a) Utikač električnog alata mora odgovarati utičnici.** Nikada ne modifikujete utikač ni na koji način. Ne koristite adapterske utikače sa uzemljenim električnim alatom. Nemodifikovani utikači i odgovarajuće utičnice će smanjiti rizik od strujnog udara.
- b) Izbegavajte kontakt delova tela sa uzemljenim površinama, poput cevi, radijatora, šporeta i frižidera.** Postoji povećan rizik od strujnog udara ako je vaše telo uzemljeno.
- c) Ne izlažite električne alate kiši ili mokrim uslovima.** Voda koja uđe u električni alat povećava rizik od strujnog udara.
- d) Nemojte zloupotrebjavati kabl.** Nikada ne koristite kabl za nošenje, vučenje ili isključivanje iz utičnice električnog alata. Čuvajte kabl podalje od toplote, ulja, oštih ivica ili pokretnih delova. Oštećen ili upetljan kabl povećava rizik od strujnog udara.
- e) Kada koristite električni alat na otvorenom prostoru, koristite produžni kabl pogodan za korišćenje na otvorenom prostoru.** Upotreba kabla pogodnog za korišćenje na otvorenom prostoru smanjuje rizik od strujnog udara.
- f) Ako je korišćenje električnog alata u vlažnom području neizbežno, koristite izvor napajanja sa zaštitnim uređajem diferencijalne struje (RCD).** Korišćenje RCD smanjuje rizik od strujnog udara.

#### 3) LIČNA BEZBEDNOST

- a) Ostanite u pripravnosti, pazite šta radite i koristite zdrav razum kada koristite električni alat.** Ne koristite električni alat kada ste umorni ili pod uticajem droga, alkohola ili lekova. Trenutak nepažnje kada koristite električni alat je dovoljan da izazove ozbiljne telesne povrede.
- b) Koristite ličnu zaštitnu opremu. Uvek nosite zaštitu za oči.** Zaštitna oprema poput maske za prašinu, radnih cipela koje se ne klizu, šlema ili zaštitne sluha će, kada se koristi za odgovarajuće uslove, smanjiti telesne povrede.
- c) Sprečite nehotično pokretanje. Osigurajte da prekidač bude u isključenom položaju pre povezivanja na izvor napajanja i/ili bateriju, podizanja ili nošenja alata.** Nošenje električnih alata sa prstom na prekidaču ili uključivanje u utičnicu električnih alata čiji prekidač je u uključenom položaju priziva nezgode.
- d) Uklonite sve ključeve za podešavanje pre uključivanja električnog alata.** Ključ koji ostane pričvršćen za rotacioni deo električnog alata može da izazove telesnu povredu.
- e) Ne presežite. U svakom trenutku održavajte pravilan položaj nogu i ravnotežu.** To omogućava bolju kontrolu električnog alata u neočekivanim situacijama.
- f) Prikladno se obucite. Ne nosite labavu odeću niti nakit.** Držite kosu i odeću dalje od pokretnih delova. Labava odeća, nakit ili duga kosa mogu da se zakače pokretnim delovima.
- g) Ako su priloženi uređaji za povezivanje delova za izbacivanje i prikupljanje prašine, osigurajte da oni budu povezani i da se pravilno koriste.** Upotreba kolektora prašine može da smanji opasnosti koje izaziva prašina.
- h) Ne dozvolite da zbog poznavanja koje ste stekli kroz čestu upotrebu alata postanete samozadovoljni**

- i ignorirate principe bezbednosti alata. Nemarni postupak može da izazove ozbiljnu povredu u deliču sekunde.
- 4) **UPOTREBA I ODRŽAVANJE ELEKTRIČNOG ALATA**
- a) **Ne silite električni alat. Koristite odgovarajući električni alat za ono što radite.** Odgovarajući električni alat uradiće posao bolje i bezbednije onom brzinom za koju je dizajniran.
- b) **Ne koristite električni alat ako ga prekidač ne uključuje i isključuje.** Svaki električni alat koji se ne može kontrolisati prekidačem je opasan i mora se popraviti.
- c) **Izvučite utikač iz izvora napajanja i/ili izvadite bateriju, ako je odvojiva, iz električnog alata pre bilo kakvog podešavanja, menjanja podataka ili skladištenja električnog alata.** Takve preventivne sigurnosne mere smanjuju rizik od nehotičnog pokretanja električnog alata.
- d) **Skladištite isključene električne alate van domašaja dece i ne dozvolite osobama koje nisu upoznate sa ovim električnim alatom ili ovim uputstvom da rukuju električnim alatom.** Električni alat je opasan u rukama nekvalifikovanih korisnika.
- e) **Održavajte električni alat i dodatke. Proverite pravilno poravnanje ili spojeve pokretnih delova, lomljenje delova i sva druga stanja koja mogu da utiču na rad električnog alata. Ako je oštećen, odnesite električni alat na popravku pre upotrebe.** Mnoge nezgode su izazvane loše održanim električnim alatom.
- f) **Održavajte alate koji seku oštirim i čistim.** Pravilno održavani alati za sečenje sa oštirim ivicama za sečenje se ređe zapetljavaju i lakše se kontrolišu.
- g) **Koristite električni alat, dodatke, delove itd. u skladu sa ovim uputstvom, uzimajući u obzir radne uslove i rad koji treba obaviti.** Korišćenje električnog alata za rad drugačiji od predviđenog moglo bi da dovede do opasne situacije.
- h) **Održavajte drške i površine koje hvatate svim, čistim i bez ulja i masnoće.** Klizave drške i površine koje hvatate ne omogućavaju bezbedno rukovanje i kontrolu alata u neočekivanim situacijama.
- 5) **UPOTREBA I ODRŽAVANJE ALATA NA BATERIJE**
- a) **Punite samo punjačem koji navodi proizvođač.** Punjač koji je prikladan za jedan tip baterije može da stvori opasnost od požara kad se koristi sa nekom drugom baterijom.
- b) **Koristite električni alat samo sa konkretno imenovanim baterijama.** Upotreba bilo kakvih drugih baterija može da stvori rizik od povrede i požara.
- c) **Kad se baterija ne koristi, držite je dalje od drugih metalnih predmeta, poput spajalica, novčića, ključeva, ekspera, vijaka ili drugih malih metalnih predmeta koji mogu da naprave spoj jednog terminala sa drugim.** Kratak spoj terminala baterije može da izazove opekotine ili požar.
- d) **U ekstremnim uslovima može doći do curenja tečnosti iz baterije; izbegavajte kontakt sa njom. Ako dođe do nehotičnog kontakta, isperite vodom. Ako tečnost dođe u kontakt sa očima, takođe potražite i medicinsku pomoć.** Tečnost iz baterije može da izazove iritaciju ili opekotine.
- e) **Ne koristite bateriju ili alat koji su oštećeni ili**

- modifikovani.** Oštećene ili modifikovane baterije mogu da ispolje nepredvidivo ponašanje, dovodeći do požara, eksplozije ili rizika od povrede.
- f) **Ne izlažite bateriju ili alat vatri ili previsokoj temperaturi.** Izlaganje vatri ili temperaturi iznad 130 °C može izazvati eksploziju.
- g) **Pratite sva uputstva za punjenje i ne punite bateriju ili alat izvan temperaturnog opsega navedenog u uputstvima.** Punjenje na nepravilan način ili na temperaturama izvan navedenog opsega može da ošteti bateriju i poveća rizik od požara.
- 6) **SERVIS**
- a) **Odnosite električni alat na servisiranje kod kvalifikovanog serviseru koji će koristiti samo identične rezervne delove.** To će osigurati da bezbednost električnog alata bude održana.
- b) **Nikad ne servisirajte oštećene baterije.** Servisiranje baterija treba da radi samo proizvođač ili ovlašćeni servis.

## SIGURNOSNA UPUTSTVA ZA BEŽIČNU VIBRACIONU BUŠILICU

- 1) **BEZBEDNOSNA UPUTSTVA ZA SVE OPERACIJE**
- a) **Pri radu sa vibracionim bušilicama nosite zaštitu za uši.** Izlaganje tim zvukovima i buci može voditi ka trajnim oštećenjima sluha.
- b) **Hvatajte električni alat isključivo za izolovane hvataljke, ako izvodite radove, kada pribor za sečenje ili sredstva za pričvršćivanje mogu dodirnuti skrivene električne vodove.** Pribor za sečenje i sredstva za pričvršćivanje koja dođu u kontakt sa vodom koji provodi napon stavlja i metalne delove električnog alata pod napon, usled čega rukovalac može doživeti električni udar.
- 2) **BEZBEDNOSNA UPUTSTVA KADA SE KORISTE DUGA SVRDLA ZA BUŠENJE**
- a) **Nikada nemojte rukovati pri većoj brzini od označene maksimalne brzine svrdla za bušenje.** Pri većim brzinama postoji veća verovatnoća savijanja svrdla ako se dozvoli da slobodno okreće bez kontakta sa materijalom za obradu, što dovodi do fizičke povrede.
- b) **Bušenje uvek započinite pri manjoj brzini i sa vrhom svrdla koje je u kontaktu sa materijalom za obradu.** Pri većim brzinama postoji veća verovatnoća savijanja svrdla ako se dozvoli da slobodno okreće bez kontakta sa materijalom za obradu, što dovodi do fizičke povrede.
- c) **Pritisnite samo u direktnoj liniji sa svrdlom i nemojte previše pritiskati.** Svrdla mogu da se saviju i dovedu do loma ili gubitka kontrole, što dovodi do fizičke povrede.

## OPŠTA

- Prašina od materijala poput farbe koja sadrži olovo, nekih vrsta drveta, minerala i metala može biti škodljiva (dodir sa tom prašinom ili njeno udisanje mogu izazvati alergijske reakcije i/ili respiratorne bolesti kod rukovaoca ili posmatrača); **nosite masku za prašinu i radite sa uređajem za uklanjanje prašine kad ga je moguće spojiti**
- Određene vrste prašine se klasifikuju kao karcinogene (poput prašine od hrasta i bukve), naročito u kombinaciji sa aditivima za kondicioniranje drveta; **nosite masku za prašinu i radite sa uređajem za uklanjanje prašine kad ga je moguće spojiti**

- Prati nacionalne propise vezane za prašinu koja se proizvodi prilikom rada na obrađivanim materijalima
- **Ne radite sa materijalima koji sadrže azbest** (azbest se smatra karcinogenim)
- Uverite se da je prekidač JO2 u srednjoj poziciji (blokada) pre nego što počnete da podešavate alat, menjate pribor, nosite i skladištite alat

#### PRIBOR

- SKIL može priznati garanciju samo ukoliko je korišćen originalni pribor
- Koristite samo pribor čija je dozvoljena brzina u najmanju ruku jednaka najvećoj brzini pri praznom hodu električnog alata

#### PRE UPOTREBE

- Izbegavajte oštećenja od šrafova, eksera i drugih predmeta na vašem području rada; uklonite ih pre nego što započnete rad
- **Učvrstite radni predmet** (radni predmet stegnut pomoću stega ili nečeg sličnog je mnogo stabilniji nego kada se drži rukom)
- **Koristite odgovarajuće detektore da biste pronašli skrivene vodove ili pozovite lokalnu kompaniju radi pomoći** (dodir sa električnim vodovima može dovesti do požara ili strujnog udara; oštećivanje gasnog voda može dovesti do eksplozije; probijanje vodovodne cevi će izazvati imovinsku štetu ili strujni udar)

#### BATERIJE

- **Ako je baterija priložena, ona će biti delimično napunjena** (da biste osigurali pun kapacitet baterije, bateriju napunite do kraja u punjaču baterije pre prvog korišćenja električnog alata)
- **Koristite samo sledeće baterije i punjače sa ovim alatom**
  - SKIL baterija: BR1\*31\*\*\*\*
  - SKIL punjač: CR1\*31\*\*\*\*
- Nemojte koristiti oštećenu bateriju; odmah je treba zameniti
- Nemojte da rastavljate bateriju
- Nemojte izlagati alat/bateriju kiši
- Dozvoljena ambijentalna temperatura (alat/punjač/baterija):
  - tokom punjenja od 4 do 40 °C
  - tokom rada od -20 do +50 °C
  - tokom skladištenja od -20 do +50 °C

#### OBJAŠNENJE SIMBOLA NA ALATU/BATERIJI

- ③ Pročitajte uputstvo za korišćenje pre prve upotrebe
- ④ Baterije će eksplodirati ako se izlože vatri, zato nikada ne palite baterije
- ⑤ Čuvajte alat/punjač/bateriju na mestima gde temperatura neće preći 50 °C
- ⑥ Ne odlazite električne alate i baterije u kućni otpad

### UPUTSTVO ZA KORIŠĆENJE

- Kombinovani prekidač za uključivanje/isključivanje i kontrolu brzine A ②
  - možete kontrolisati brzinu od najmanje do najveće menjanjem pritiska na obaraču
- Punjenje baterije
  - ! **pročitajte bezbednosna upozorenja i uputstva priložena uz punjač**
- Uklanjanje/instaliranje baterije ②
- Indikator nivoa baterije ⑦
  - Pritisnite dugme indikatora nivoa baterije M da bi se prikazao trenutni nivo baterije ⑦a

! **kada najniži nivo indikatora baterije počne da treperi nakon pritiska dugmeta M ⑦b, baterija je prazna**

! **kada 2 nivoa indikatora baterije počnu da trepere nakon pritiska na dugme M ⑦c, baterija nije u dozvoljenom opsegu radne temperature**

- Izmena smera rotacije ⑧
  - ako nije pravilno postavljen u levi/desni položaj, prekidač A ② se ne može aktivirati
- ! **menjajte smer rotacije samo kada alat potpuno miruje**
- Zamena bitova ⑨
  - ! **ne koristite bitove sa oštećenim prihvatom**
- Kontrola obrtnog momenta (VariTorque) ⑩
  - izlazni obrtni momenat se povećava prilikom obrtanja prstena spojnice B od 1 do 17
  - ako zavrćete šraf, prvo probajte sa VariTorque pozicijom 1 i povećavajte dok ne dostignete željenu dubinu
  - položaj D će zaključati spojnicu da bi se omogućilo (neudarno) bušenje ili rad na otpornijim površinama
  - položaj C će zaključati spojnicu da bi se omogućilo samo udarno bušenje
- ! **osigurajte da selektor brzina G bude u položaju 2 kada je selektor funkcija F u položaju udarnog bušenja**
- ! **nemojte koristiti položaj udarnog bušenja C za bušenje drveta, metala, keramike i plastike da biste sprečili oštećenje bita za bušenje/zavrtnanje/odvrtnje**
- Mehaničko biranje brzina ⑪
  - podesite selektor G na željenu brzinu
  - ! **aktivirajte selektor brzina dok alat radi malom brzinom**
- 1
  - mala brzina
  - visoki obrtni momenat
  - za uvrtanje šrafova i bušenje velikih prečnika
  - za uvrtanje navoja
- 2
  - visoka brzina
  - niski obrtni momenat
  - za bušenje sa udarcima
  - za bušenje malih prečnika
- RADNO SVETLO K ⑫
  - RADNO SVETLO K će svetleti kad se alat uključi.
  - ! **kad RADNO SVETLO počne da treperi, aktivira se zaštita baterije (pogledajte ispod)**
- Zaštita baterije
  - Alat se iznenada isključuje ili ne može da se uključi kada je
    - **opterećenje je preveliko** -> uklonite opterećenje i restartujte
    - **temperatura baterije nije u dozvoljenom radnom opsegu temperature od -20 do +50 °C** --> 2 nivoa indikatora za nivo baterije počinju da trepere kada pritisnete dugme M ⑦c; sačekajte dok se baterija ne vrati u dozvoljeni radni opseg temperature
    - **baterija je skoro prazna (za zaštitu od prekomernog pražnjenja)** --> nizak nivo baterije ili treperenje za nizak nivo baterije ⑦b se prikazuju na indikatoru za nivo baterije kada se pritisne dugme M; napunite bateriju

**! nemojte nastaviti da pritiskate prekidač za uključivanje/isključivanje nakon automatskog isključivanja alata; baterija se može oštetiti**

- Držanje i upravljanje alata ⑬
- ! tokom rada, uvek držite alat za područja za hvatanje sive boje**
- prerezi za hlađenje H ② moraju da budu otvoreni
- ne pritiskati alat previše; pustite da alat sam radi

## SAVETI ZA PRIMENU

- Koristite odgovarajuće bitove ⑭
- ! koristite samo oštre bitove**
- Pri bušenju metala
  - prvo izbušiti malu rupu ako Vam je potrebna veća rupa
  - bitove povremeno namazati uljem
- Pri uvrtanju šrafova na krajevima drveta prvo treba izbušiti malu rupu da bi se izbeglo listanje drveta
- Za optimalno korišćenje alata potreban je stalan pritisak na šraf, posebno pri odstranjivanju istih
- Ako uvrćete šraf u tvrdo drvo potrebno je prethodno izbušite rupu
- Bušenje drveta bez kidanja ⑮
- Bušenje zidova bez prašine ⑯
- Bušenje plafona bez prašine ⑰
- Bušenje pločica bez proklizavanja ⑱
- Za više informacija pogledajte [www.skil.com](http://www.skil.com)

## ODRŽAVANJE / SERVIS

- Ovaj alat nije namenjen za profesionalnu upotrebu
- Uvek održavajte alat čistim (posebno otvore za ventilaciju H ②)
- ! pre čišćenja uklonite bateriju iz alata**
- Ako bi alat i pored brižljivog postupka izrade i kontrole nekada otkazao, popravku mora vršiti neki autorizovani servis za SKIL električne alate
  - pošaljite nerasklopljeni alat zajedno sa dokazom kupovine vašem prodavcu ili najbližoj SKIL servisnoj stanici (adrese kao i servisni dijagram alata možete naći na [www.skil.com](http://www.skil.com))
- Imajte na umu da za oštećenja nastala usled preopterećenja ili nepravilnog rukovanja neće važiti garancija (za uslove SKIL garancije posetite [www.skil.com](http://www.skil.com) ili pitajte svog prodavca)

## ZAŠTITA OKOLINE

- **Električne alate, baterije, pribor i ambalažu ne odlažite u kućne otpatke** (samo za EU-države)
  - prema Evropskoj direktivi 2012/19/EC o otpadnoj električnoj i elektronskoj opremi i njenoj primeni u skladu sa nacionalnim zakonodavstvom, električni alati koji su došli do kraja svog radnog veka moraju biti prikupljeni zasebno i odneti u ekološki pogon za reciklažu
  - simbol ④ će vas podsetiti na to kada se potreba za odlaganjem pojavi
- ! da bi se izbegli kratki spojevi, terminale baterije treba zaštititi debljom samolepljivom trakom bez odlaganja na otpad**

## BUKA / VIBRACIJA

- Mereno u skladu sa EN 62841, nivo zvučnog pritiska

ovog alata je 90 dB(A), nivo zvučne snage je 98 dB(A) (nesigurnost K = 5 dB), a vibracija je \* (troosni vektorski zbir; nesigurnost K = 1,5 m/s<sup>2</sup>)

\* pri bušenju metala 12,41 m/s<sup>2</sup>

\* pri udarnom bušenju betona 14,49 m/s<sup>2</sup>

- Nivo emisije vibracija izmeren je u skladu sa standardizovanim testom datim u EN 62841; on se može koristiti za upoređenje jedne alatke sa drugom, kao i za preliminarnu procenu izloženosti vibracijama pri korišćenju ove alatke za pomenute namene
  - korišćenje alata u drugačije svrhe ili sa drugačijim ili slabo održavanim priborom može značajno **povećati** nivo izloženosti
  - vreme kada je alat isključen ili kada je uključen ali se njime ne radi može značajno **smanjiti** nivo izloženosti
- ! zaštitite se od posledica vibracija tako što ćete održavati alat i pribor, voditi računa da vam ruke budu tople i organizovati svoj rad**

(SLO)

## Brezkrtačni udarni vrtalnik 3021

### UVOD

- To orodje je namenjeno zategovanju in odvijanju vijakov, vrtanju u les, keramiko in plastiko ter za udarno vrtanje v opeko.
- To orodje ni namenjeno profesionalni uporabi.
- Preberite ta navodila za uporabo in jih shranite. ③

### TEHNIČNI PODATKI ①

Najv. zatezni moment pri trdem vijačenju po ISO 5393:  
55 Nm

### DELI ORODJA ②

- A** Vklonno/izklonno stikalo in stikalo za nadzor hitrosti
- B** Obroč za nastavitvev momenta
- C** Položaj udarnega vrtanja
- D** Položaj vrtanja
- E** Položaj vijačenja
- F** Stikalo za zamenjavo funkcije
- G** Stikalo za izbiro stopnje
- H** Ventilacijske reže
- J** Stikalo za preklon smeri vrtanja
- K** DELOVNA SVETILKA
- L** Vpenjalna glava
- M** Gumb indikatorja za napolnjenost baterije
- N** Obojestranski sveder

### VARNOST

#### SPOŠNA VARNOSTNA OPOZORILA ZA ELEKTRIČNA ORODJA

**⚠ OPOZORILO** Preberite vsa varnostna opozorila, navodila, slike in tehnične podatke, ki so priloženi temu električnemu orodju. Zaradi neupoštevanja spodaj navedenih navodil lahko pride do električnega udara, požara in/ali hudih telesnih poškodb.

**Vsa opozorila in navodila shranite za kasnejšo uporabo.**

Izraz »električno orodje« v opozorilih se nanaša na orodja, ki jih poganja električni tok (žična), ali na akumulatorska (brezžična) orodja.

### 1) VARNOST DELOVNEGA OBMOČJA

- a) **Delovno območje naj bo čisto in dobro osvetljeno.** Na neurejenih ali temnih območjih se hitro zgodijo nesreče.
- b) **Električnega orodja ne upravljajte v eksplozivnih okoljih, na primer ob prisotnosti vnetljivih tekočin, plinov ali prahu.** Električno orodje ustvarja iskre, ki lahko povzročijo vžig prahu ali hlapov.
- c) **Med uporabo električnega orodja v bližino ne pustite otrok in drugih ljudi.** Zaradi motenj lahko izgubite nadzor.

### 2) ELEKTRIČNA VARNOST

- a) **Vtiči električnih orodij se morajo prilegati vtičnicam.** Vtiča nikoli ne smete spreminjati na kakršen koli način. Z ozemljenimi električnimi orodji ne uporabljajte adapterjev. Nespremenjeni vtiči in pripadajoče vtičnice bodo zmanjšali tveganje električnega udara.
- b) **Izogibajte se telesnemu stiku z ozemljenimi površinami, kot so cevi, radiatorji, štedilniki in hladilniki.** Če je vaše telo ozemljeno, obstaja povečano tveganje električnega udara.
- c) **Orodja ne izpostavljajte dežju ali vlažnim vremenskim pogojem.** Če v električno orodje zaide voda, obstaja večja možnost električnega udara.
- d) **Ne poškodujte električnega kabla.** Kabla nikoli ne uporabljajte za nošenje, vlečenje ali odklapanje električnega orodja. Kabel hranite stran od vročine, olja, ostrih robov ali premikajočih se delov. Poškodovani ali zapleteni kabli zvišujejo tveganje električnega udara.
- e) **Med zunanjo uporabo električnega orodja uporabljajte podaljšek, ki je primeren za zunanjo uporabo.** Uporaba kabla, primerne za zunanjo uporabo, znižuje tveganje električnega udara.
- f) **Če je uporaba električnega orodja na vlažnem mestu neizogibna, uporabite napajanje, zaščiteno z napravo na diferencialni tok.** Uporaba te naprave bo zmanjšala nevarnost električnega udara.

### 3) OSEBNA VARNOST

- a) **Med uporabo električnega orodja bodite pozorni, spremljajte potek dela in uporabljajte zdrav razum.** Električnega orodja ne uporabljajte, kadar ste utrujeni ali pod vplivom drog, alkohola ali zdravil. Trenutek nepazljivosti med uporabo električnega orodja lahko povzroči hude telesne poškodbe.
- b) **Uporabljajte osebno varovalno opremo. Vedno uporabljajte zaščito za oči.** Če v različnih okoliščinah nosite ustrezno zaščitno opremo, kot so maska proti prahu, obutev z nehrsečim podplatom, trdno pokrivalo glave in zaščita za sluh, zmanjšate možnost telesnih poškodb.
- c) **Preprečite neželen zagon. Pred priklopom na vir napajanja in/ali priklopom akumulatorskega sklopa ter pred dvigovanjem ali nošenjem orodja se prepričajte, da je stikalo v položaju za izklop.** Prenašanje električnih orodij s prstom na stikalo ali napajanje električnih orodij, pri katerih je stikalo v položaju za vklop, povzroči tveganje za nesreče.

- d) **Pred vklopom električnega orodja odstranite morebitne nastavitvene ključe ali viličaste ključe.** Viličasti ali drug ključ, ki je pritrjen na vrtljivi del električnega orodja, lahko povzroči telesne poškodbe.
  - e) **Ne stegujte se preveč. Pazite, da ves čas stojite stabilno in ohranite ravnotežje.** To omogoča boljši nadzor nad električnim orodjem v nepričakovanih situacijah.
  - f) **Bodite primerno oblečeni. Ne nosite ohlapnih oblačil ali nakita. Pazite, da lasje in oblačila ne pridejo v bližino gibljivih delov.** Ohlapna oblačila, nakit ali dolgi lasje se lahko zapletejo v gibljive dele.
  - g) **Če imate na voljo naprave za sesanje in zbiranje prahu, preverite, ali so priključene in ali se ustrezno uporabljajo.** Uporaba naprav za zbiranje prahu lahko zmanjša nevarnosti, povezane s prahom.
  - h) **Čeprav dobro poznate orodje zaradi pogoste uporabe, ne postanite ravnodušni in ne prezirajte varnostnih načel orodja.** Nepazljivost pri uporabi lahko povzroči hude telesne poškodbe v delcu sekunde.
- ### 4) UPORABA IN NEGA ELEKTRIČNEGA ORODJA
- a) **Električnega orodja ne preobremenjujte.** Uporabite električno orodje, ki je primerno za vaše delo. Ustrezno električno orodje bo nalogo opravilo bolje in varneje pri zmogljivosti, za katero je bilo zasnovano.
  - b) **Ne uporabljajte električnega orodja, če ga ni mogoče vklopiti in izklopiti s stikalom.** Kakršno koli električno orodje, ki ga ni mogoče nadzirati s stikalom, je nevarno in ga je potrebno popraviti.
  - c) **Odklopite vtič iz vira napajanja in/ali odstranite akumulatorske baterije, če je snemljiv, preden opravite kakršne koli prilagoditve, menjate nastavke ali shranite električno orodje.** Tovrstni preventivni varnostni ukrepi zmanjšujejo tveganje nenamernega zagona električnega orodja.
  - d) **Električna orodja, ki niso v uporabi, shranjujte izven dosega otrok in ne dovolite, da bi električno orodje uporabljale osebe, ki niso seznanjene z električnim orodjem ali s temi navodili.** Električno orodje je v rokah neusposobljenih uporabnikov nevarno.
  - e) **Električna orodja in dodatke vzdržujte. Preverite morebitno neoparavnost ali povezavo premikajočih se delov, zlome delov ali morebitno drugačno stanje, ki bi lahko vplivalo na delovanje električnega orodja.** Če je električno orodje poškodovano, ga pred ponovno uporabo nesite na popravilo. Mnogo nesreč se pripeti zaradi slabo vzdrževanih električnih orodij.
  - f) **Rezalna orodja naj bodo vedno nabrušena in čista.** Pravilno vzdrževana rezalna orodja z ostrimi rezili se težje zaskočijo in jih je lažje nadzirati.
  - g) **Električno orodje, dodatke, dele orodja itd. uporabljajte v skladu s temi navodili, pri tem pa upoštevajte delovne pogoje in delo, ki ga boste opravljali.** Če boste električno orodje uporabljali za neustrezne namene, lahko pride do nevarnih situacij.
  - h) **Ročaji in prijemalne površine naj bodo suhe, čiste in brez madežev olja ali masti.** Drseči ročaji in prijemalne površine ne omogočajo varnega ravnanja in nadzorovanja orodja v nepričakovanih situacijah.
- ### 5) UPORABA IN VZDRŽEVANJE AKUMULATORSKEGA ORODJA
- a) **Akumulator polnite le s polnilnikom, ki ga določa**

**proizvajalec.** Polnilnik, ki je primeren za eno vrsto akumulatorskih baterij, morda lahko povzroči nevarnost požara, če z njim polnite drugo vrsto akumulatorske baterije.

- b) **Akumulatorska orodja uporabljajte samo s predpisano vrsto akumulatorskih baterij.** Uporaba katerih koli drugih akumulatorskih baterij lahko povzroči tveganje za telesne poškodbe in požar.
  - c) **Ko akumulatorskih baterij ne uporabljate, jih hranite stran od kovinskih predmetov, kot so sponke za papir, kovanci, ključji, žbljji, vijaki ali drugi majhni kovinski deli, ki bi lahko povzročili stik med obema poloma.** Kratek stik zaradi povezanih kontaktov akumulatorja lahko povzroči opeklino ali požar.
  - d) **Ob zlorabi akumulatorja lahko iz njega steče tekočina; izogibajte se stiku z njo. Če se nehote dotaknete tekočine, mesto dotika sperite z vodo.** Če pride tekočina v stik z očmi, poiščite zdravniško pomoč. Tekočina, ki brizgne iz akumulatorja, lahko povzroči draženje ali opeklino.
  - e) **Akumulatorskih baterij ali orodja, ki je poškodovano ali spremenjeno, ne uporabljajte.** Poškodovane ali spremenjene akumulatorske baterije se lahko nepredvidljivo vedejo, kar lahko povzroči požar, eksplozijo ali tveganje telesnih poškodb.
  - f) **Akumulatorskih baterij ali orodja ne izpostavljajte ognju ali previsokim temperaturam.** Izpostavljenost ognju ali temperaturam nad 130 °C lahko povzroči eksplozijo.
  - g) **Upošteвайте vsa navodila za polnjenje in akumulatorske baterije ali orodja ne polnite izven temperaturnega razpona, navedenega v navodilih.** Zaradi nepravilnega polnjenja ali temperature zunaj navedenega razpona lahko pride do poškodb akumulatorja in povečanega tveganja za požar.
- 6) SERVIS**
- a) **Električno orodje naj servisira usposobljeno servisno osebje, ki uporablja le enake nadomestne dele.** To bo zagotovilo ohranjanje varnosti električnega orodja.
  - b) **Nikoli ne popravljajte poškodovanih akumulatorskih baterij.** Akumulatorske baterije lahko popravi le proizvajalec ali pooblaščen izvajalec servisiranja.

## **VARNOSTNA NAVODILA ZA BREŽIČNO VRTALNO KLADIVO**

### **1) VARNOSTNA NAVODILA ZA VSE POSTOPKE**

- a) **Pri udarnem vrtnanju nosite zaščito sluha.** Izpostavljanje hrupu lahko povzroči izgubo sluha.
- b) **Pri izvajanju postopka, pri katerem se lahko rezalna oprema ali pritrdilni element dotakne skritega ožičenja držite električno orodje za izolirane površine.** Stik orodja za rezanje in pritrdilnih elementov z napeljavo, ki je pod napetostjo, lahko povzroči, da so tudi kovinski deli orodja pod napetostjo, kar lahko povzroči električni udar za upravljavca.

### **2) VARNOSTNA NAVODILA ZA UPORABO DOLGIH SVEDROV**

- a) **Nikoli ne prekoračite največje nazivne hitrosti, določene za sveder.** Pri višjih hitrostih obstaja večja verjetnost, da se sveder upogne, če se lahko prosto vrti, ne da bi se dotaknil obdelovanca, in tako povzroči

telesne poškodbe.

- b) **Vedno začnite vrtati pri nizki hitrosti, konica svedra pa naj se dotika obdelovanca.** Pri višjih hitrostih obstaja večja verjetnost, da se sveder upogne, če se lahko prosto vrti, ne da bi se dotaknil obdelovanca, in tako povzroči telesne poškodbe.
- c) **Na obdelovane pritiskajte samo v neposredni liniji s svedrom, vendar pa ne pritiskajte premočno na obdelovanec.** Svedri se lahko upognejo in se zlomijo ali povzročijo izgubo nadzora ter s tem tudi telesne poškodbe.

### **SPLOŠNO**

- Prah materialov, kot so barve, ki vsebujejo svinec, nekatere vrste lesa, mineralov ali kovin, je lahko škodljiv (ob stiku ali vdihavanju lahko prah pri delavcu ali pri drugih prisotnih povzroči alergijsko reakcijo in/ali boleznih dihal); **nosite masko za prah in pri delu uporabljajte napravo za odsesavanje prahu, kjer je le-to možno priključiti.**
- Nekatere vrste prahu so klasificirane kot kancerogene (npr. prah hrasta in bukve), predvsem ob sočasni uporabi z dodatki za obdelavo lesa; **nosite masko za prah in pri delu uporabljajte napravo za odsesavanje prahu, kjer je le-to možno priključiti.**
- Upošteвайте nacionalne zahteve glede prahu za materiale, ki jih želite obdelovati.
- **Ne obdelujte materiala, ki vsebuje azbest** (azbest povzroča rakasta obolenja).
- Pred nastavitvijo ali menjavo pribora in pri prenašanju ali shranjevanju orodja zagotovite, da je stikalo J② v sredinskem položaju (zaklenjeno).

### **NASTAVKI**

- SKIL zagotavlja brezhibno delovanje orodja le z uporabo originalnega dodatnega pribora
- Uporabljajte lahko dodatni pribor, katerega dovoljena hitrost je najmanj enaka največji hitrosti orodja

### **PRED UPORABO**

- Izogibajte se poškodbam zaradi vijakov, žbljbljev ali drugih elementov v obdelovancu; odstranite jih pred začetkom dela.
- **Zavarujte obdelovanec** (obdelovanec stisnjen v prižemi ali primežu je bolj varen kot v roki).
- **Za iskanje skritih električnih, plinskih in vodovodnih cevi uporabite primerne iskalne naprave (detektorje) ali se posvetujte z lokalnimi podjetji** (stik z električnimi vodniki lahko povzroči požar ali električni udar; poškodbe plinovoda lahko povzročijo eksplozijo, vdor v vodovodno omrežje pa materialno škodo ali električni udar).

### **AKUMULATOR**

- **Baterija, če je priložena, je delno napolnjena** (če želite zagotoviti polno zmogljivost akumulatorja, ga pred prvo uporabo popolnoma napolnite s polnilnikom za akumulator).
- **S tem orodjem lahko uporabljate samo te akumulatorje in polnilnike**
  - Akumulator SKIL: BR1\*31\*\*\*\*
  - Polnilnik SKIL: CR1\*31\*\*\*\*
- Ne uporabljajte poškodovanega akumulatorja; takoj ga je potrebno zamenjati
- Akumulatorja ne razstavljajte.
- Orodja/akumulatorja ne izpostavljajte dežju.
- Dovoljena temperatura okolice (orodje/polnilec/akumulator):
- pri polnjenju od 4 od 40 °C

- pri delu od -20 od + 50 °C
- pri skladiščenju od -20 do + 50 °C

#### POJASNILO OZNAK NA ORODJU/AKUMULATORJU

- ③ Pred uporabo preberite navodila za uporabo
- ④ Akumulatorji lahko pri izpostavljanju odprtemu ognju eksplodirajo, zato jih nikoli ne sežigajte.
- ⑤ Shranjujte orodje/polnilce/akumulator v prostoru, kjer temperatura ne bo preseгла 50 °C.
- ⑥ Ne odstranjujte električnega orodja in akumulatorja skupaj z gospodinjskimi odpadki.

## UPORABA

- Kombinirano stikalo za vklop/izklop in nastavev hitrosti A ②
  - Hitrost se brezstopenjsko nastavlja od 0 do maksimalne z večjim ali manjšim pritiskom na stikalo.
- Polnjenje akumulatorja
  - ! **Preberite varnostna opozorila in navodila, priložena polnilniku.**
  - Odstranjevanje/nameščanje akumulatorja ②
  - Indikator stanja napoljenosti akumulatorja ⑦
    - Pritisnite gumb M indikatorja stanja napoljenosti akumulatorja, da prikažete trenutno stanje akumulatorja ⑦a
    - ! **Ko začne po pritisku gumba M ⑦b utripati najnižja stopnja napoljenosti, je akumulator prazen.**
    - ! **Ko začneta po pritisku gumba M ⑦c utripati 2 stopnji indikatorja akumulatorja, to pomeni, da akumulator ni v dovoljenem temperaturnem razponu.**
- Menjava smeri vrtenja ⑧
  - Če stikalo A ② ni v ustreznem levem/desnem položaju, ga ni mogoče vklopiti.
  - ! **Smer vrtenja spremenite le pri popolnoma mirujočemu orodju.**
- Menjava svedrov ⑨
  - ! **Ne uporabljajte nastavkov s poškodovanim stebлом.**
- Nastavev momenta (VariTorque) ⑩
  - Izhodni navor se bo povečal z vrtenjem obroča sklopke B od 1 do 17.
  - Pri vijačenju vijakov najprej nastavite sklopko na položaj 1 in ga nato povečujte, dokler ne dosežete želene globine.
  - Položaj D zaklene sklopko, kar omogoča navadno vrtenje (brez udarca) ali težja dela.
  - Položaj C zaklene sklopko, kar omogoča samo udarno vrtenje.
  - ! **Zagotovite, da je prestavna ročica G v položaju 2, ko je funkcijska ročica F v položaju za udarno vrtenje.**
  - ! **Za vrtenje v les, kovino, keramiko in plastiko ne uporabljajte udarnega vrtnega položaja C, da ne poškodujete svedra/vijaka.**
- Mehanska izbira prestave ⑪
  - Nastavite izbirno stikalo G na zeleno hitrost.
  - ! **Izbirno stikalo za prestave sprožite medtem, ko se orodje vrti počasi.**
- 1
  - majhna hitrost
  - večji moment
  - za vijačenje in vrtenje večjih premerov
  - za vrezovanje navojev

## 2

- večja hitrost
- nižji moment
- za udarno vrtenje
- za vrtenje manjših premerov
- DELOVNA SVETILKA K ⑫
  - DELOVNA SVETILKA K sveti, ko je orodje vklopljeno.
  - ! **Ko začne DELOVNA SVETILKA utripati, je zaščita baterije aktivirana (glejte spodaj)**
- Zaščita akumulatorja
  - Orodje se nenadoma izklopi ali pa ga ni mogoče vklopiti v naslednjih primerih:
    - **previsoka obremenitev** --> odstranite obremenitev in zaženite znova;
    - **temperatura akumulatorja ni v dovoljenem razponu delovne temperature od -20 do +50 °C** --> ko pritisnete gumb M ⑦c, začneta utripati 2 ravni indikatorja napoljenosti akumulatorja; počakajte, da se akumulator vrne v dovoljeni razpon delovne temperature;
    - **akumulator je skoraj prazen (zaščitite ga pred popolno izpraznitvijo)** --> indikator napoljenosti akumulatorja prikaže nizko raven napoljenosti akumulatorja ali utripajočo nizko raven napoljenosti akumulatorja ⑦b, ko pritisnete gumb M; napolnite akumulator.
  - ! **Po samodejnim izklopu ne pritiskajte stikala za vklop/izklop; akumulator se lahko poškoduje.**
- Držanje in vodenje orodja ⑬
  - ! **Med delom vedno držite orodje za sivo obarvana mesta prijema.**
  - Ventilacijske reže H ② morajo ostati nepokrite.
  - Ne pritiskajte premočno na orodje; pustite da orodje samo opravi delo.

## UPORABNI NASVETI

- Uporabljajte ustrezne svedre ⑭
  - ! **Uporabljajte le ostre svedre.**
- Pri vrtenju v kovine
  - naprej izvrtaite manjšo luknjo, šele nato večjo.
  - Sveder občasno naoljite.
- Pri vijačenju vijaka v les v bližini roba je treba predvrtati luknjo, s čimer boste preprečili pokanje lesa.
- Za optimalno delo je potreben enakomeren pritisk na orodje, predvsem pri odvijanju vijaka.
- Pri privijanju vijaka v trd les priporočamo, da najprej izvrtate luknjo.
- Vrtenje v les brez odlomljenih kosčkov ⑮
- Vrtenje v stene z zaščito proti prahu ⑯
- Vrtenje v strop z zaščito proti prahu ⑰
- Vrtenje v ploščice brez spodrsavanja ⑱
- Za več informacij obiščite spletno stran [www.skil.com](http://www.skil.com)

## VZDRŽEVANJE/SERVISIRANJE

- Orodje ni namenjeno profesionalni uporabi.
- Orodje naj bo vedno čisto (še posebej prezračevalne odprtine ②).
- ! **Pred čiščenjem odstranite akumulator iz orodja.**
- Če bi kljub skrbnim postopkom izdelave in preizkušanja prišlo do izpada delovanja orodja, naj popravilo opravi servisna delavnica, pooblaščen za popravila električnih orodij SKIL.
  - Pošljite nerazstavljeno orodje skupaj s potrdilom o

nakupu pri vašemu prodajalcu v najbližjo SKIL servisno delavnico (naslovi, kot tudi spisek rezervnih delov se nahaja na [www.skil.com](http://www.skil.com)).

- Zavedajte se, da garancija ne vključuje poškodb zaradi preobremenitve orodja ali nepravilne rabe (glede SKILovih garancijskih pogojev obiščite [www.skil.com](http://www.skil.com) ali povprašajte prodajalca).

## OKOLJE

- **Električnega orodja, akumulatorja, pribora in embalaže ne odstranjajte skupaj z gospodinjskimi odpadki** (samo za države EU).

- V skladu z Evropsko direktivo 2012/19/EG o odpadni električni in elektronski opremi in z njenim izvajanjem v nacionalni zakonodaji je treba električna orodja ob koncu njihove življenjske dobe ločeno zbirati in jih predati v postopek okolju prijaznega recikliranja.

- Ko bo potrebno odstranjevanje, vas bo na to spomnil simbol ⑥.

**! Preden zavržete akumulator, prilepite kontakte z debelejším izolirnim trakom, da preprečite kratek stik.**

## HRUP / VIBRACIJA

- Raven zvočnega tlaka tega orodja, ki je bila izmerjena v skladu s standardom EN 62841, znaša 90 dB(A), raven zvočne moči je 98 dB(A) (odstopanje K = 5 dB) in vibracijo \* (triosna vektorska vsota; odstopanje K = 1,5 m/s<sup>2</sup>).

\* pri vrtnju v kovino 12,41 m/s<sup>2</sup>

\* pri udarnem vrtnju v beton 14,49 m/s<sup>2</sup>

- Raven oddajanja vibracij je bila izmerjena v skladu s standardiziranimi testi, navedenimi v EN 62841; uporabiti jo je mogoče za primerjavo različnih orodij med seboj in za predhodno primerjavo izpostavljenosti vibracijam pri uporabi orodja za namene, ki so omenjeni
  - Uporaba orodja za drugačne namene ali uporaba skupaj z drugimi, slabo vzdrževanimi nastavki lahko znatno **poveča** raven izpostavljenosti.
  - Čas, ko je orodje izklopljeno ali ko je vklopljeno, vendar z njim ne delamo, lahko znatno **zmanjša** raven izpostavljenosti.

**! Pred posledicami vibracij se zaščitite z vzdrževanjem orodja in pripadajočih nastavkov, ter tako, da so vaše roke tople, vaši delovni vzorci pa organizirani.**

EST

## Harjadeta löökpuur 3021

3021

## SISSEJUHATUS

- Tööriist on ette nähtud kruvide sisse ja välja keeramiseks, samuti puidu, keraamika ja plasti puurimiseks ning tellise löökpuurimiseks.
- Tööriist pole mõeldud professionaalseks kasutamiseks.
- Lugege käesolev kasutusjuhend hoolikalt läbi ja hoidke alles.③

## TEHNILISED ANDMED ①

Max pöördemoment tugeval kruvikeeramisrežiimil ISO 5393

kohaselt: 55 Nm

## TÖÖRIISTA OSAD ②

- A Lüliiti tööriista sisse-/väljalülitamiseks ja kiiruse kontrollimiseks
- B Pöördemomendi regulaator
- C Löökpuurimisasend
- D Puurimisasend
- E Kruvi keeramisasend
- F Funktsiooni muutmise lüliiti
- G Käiguvaliku lüliiti
- H Ventilatsioonivad
- J Lüliiti pöördlemissuuna muutmiseks
- K TÖÖTULI
- L Padrun
- M Aku laetuse taseme märgutule nupp
- N Kaheotsaline otsak

## OHUTUS

### ÜLDISED ELEKTRITÖÖRIISTADE HOIATUSED

**⚠ HOIATUS! Lugege läbi kõik elektritööriistaga kaasas olevad hoiatused, juhised, joonised ja andmed.** Alltoodud juhiste eiramine võib põhjustada elektrilööki, tulekahju ja/või tõsisid vigastusi.

### Säilitage hoiatused ja juhised hilisemaks kasutuseks.

Hoiatustes kasutatud termin „elektritööriist“ viitab vooluvõrgust (juhtmega) töötavale elektrilisele tööriistale või akuga töötavale (juhtmeta) elektrilisele tööriistale.

### 1) TÖÖPIIRKONNA OHUTUS

- a) **Tööpiirkond peab olema puhas ja hästi valgustatud.** Täis kuhjatud või valgustamata tööpiirkonnad võivad põhjustada õnnetusi.
- b) **Ärge kasutage elektritööriistu plahvatusohtlikes keskkondades, näiteks kergesti süttivate vedelike, gaaside või tolmu läheduses.** Elektritööriistad tekitavad sädemeid, mis võivad süüdata tolmu või aurasid.
- c) **Elektritööriistadega töötamisel hoidke lapsed ja kõrvalised isikud eemal.** Tähelepanu hajumisel võite kaotada kontrolli seadme üle.

### 2) ELEKTRILINE OHUTUS

- a) **Elektritööriistad tuleb ühendada sobivasse pistikupesasse. Ärge kunagi modifitseerige pistikut mitte mingil viisil. Ärge kasutage maandatud elektritööriistadega koos pistikuadaptoreid.** Modifitseerimata pistikud ja sobivad pistikupesad vähendavad elektrilöögi ohtu.
- b) **Vältige kehalist kontakti maandatud pindadega (nt torud, radiaatorid, pliigid, külmikud).** Kui teie keha on maandatud, suureneb elektrilöögi oht.
- c) **Ärge jätke elektritööriistu vihma kätte ega niiskettesse tingimustesse.** Vee sattumine elektritööriista sisse suurendab elektrilöögi ohtu.
- d) **Ärge rikkuge juhet. Ärge kasutage juhet elektritööriista kandmiseks või tõmbamiseks ja ärge tõmmake juhtmest, kui soovite pistikut pistikupesast eemaldada.** Vältige juhtme kokkupuudet kuumade esemetega, õli, teravate servade või liikuvate



osadega. Kahjustatud või puntras juhe suurendab elektrilöögi ohtu.

- e) **Elektritööriistaga välitingimustes töötamiseks kasutage välitingimustesse sobivat pikendusjuhet.** Välitingimustesse sobiva juhtme kasutamine vähendab elektrilöögi ohtu.
- f) **Kui peate kindlasti tööriista märjas kohas kasutama, kasutage seadet, mille toite tagab jääkvooluseade (RCD).** RCD kasutamine vähendab elektrilöögi ohtu.
- 3) **ISIKLIK OHUTUS**
  - a) **Olge tähelepanelik, töötage hoolikalt ja rakendage tervet mõistust.** Ärge kasutage elektritööriista, kui olete väsinud, või rohtude, alkoholi või narkootikumide mõju all. Vaid hetkeline tähelepanematus elektritööriista kasutamisel võib põhjustada raskeid kehavigastusi.
  - b) **Kasutage isikukaitsevahendeid. Kandke alati silmakaitsevahendeid.** Töötingimustele vastava kaitsevarustuse (nt tolmu maski, mittelibisevate turvakingade, kiivri või kuulmiskaitsevahendite) kasutamine vähendab kehavigastuste ohtu.
  - c) **Ennetage tööriista tahtmatut käivitamist. Enne tööriista vooluvõrgu ja/või akuplokiga ühendamist ning enne tööriista kandmist või üles tõstmist veenduge, et lüliti on mitteaktiivses asendis.** Elektritööriistade kandmine sõrme lülilil hoides või akuploki ühendamine, kui lüliti on sisse lülitatud, põhjustab õnnetusi.
  - d) **Enne tööriista sisselülitamist eemaldage sellelt kõik reguleerimis- ja nutrivõtmed.** Elektritööriista pöörleva osa külge unustatud võtmed vms tööriistad võivad põhjustada kehavigastusi.
  - e) **Ärge küünitage liiga kaugele. Töötage ainult kindlal pinnal ja kohtades, kus pole ohtu tasakaalu kaotada.** Nii säilitate ootamatutes olukordades parema kontrolli elektritööriista üle.
  - f) **Riietuge asjakohaselt. Ärge kandke avaraid rõivaid ega ehteid. Vältige oma juuste ja riiete kokkupuudet liikuvate osadega.** Avarad rõivad, ehted ja pikad juuksed võivad liikuvate osade vahele kinni jääda.
  - g) **Kui tootega on kaasas vahendid tolmuarastus- ja kogumisseadmete ühendamiseks, siis veenduge, et need seadmed on korralikult ühendatud ja asjakohases kasutuses.** Tolmukogumisseadmete kasutamine vähendab tolmu seotud ohtusid.
  - h) **Kui seade on teile sagedase kasutamise tulemusel harjumuspäraseks saanud, ärge laske ennast lödvaks ega ignoreerige tööriista kasutamise ohutusreegleid.** Hooletluse tõttu võite saada tõsiseid vigastusi ka sekundi murdosa jooksul.
- 4) **ELEKTRITÖÖRIISTA KASUTAMINE JA HOOLDUS**
  - a) **Ärge rakendage elektritööriista kasutamisel jõudu. Kasutage konkreetselt tööks sobivat elektritööriista.** Sobiva elektritööriistaga sobival kiirusel töötades saate töö valmis kiiresti ja ohutult.
  - b) **Ärge kasutage elektritööriista, mida ei saa lülitist sisse ega välja lülitada.** Elektritööriistad, mille lüliti ei tööta, on ohtlikud ja tuleb parandada.
  - c) **Eemaldage pistik vooluvõrgust ja/või akuplokk seadme küljest, kui see on eemaldatav, enne seadme kohandamist, tarvikute vahetamist või elektritööriista houstumist.** Selliste ohutusmeetmete rakendamisel vähendate elektritööriista tahtmatu käivitamise võimalust.

- d) **Elektritööriistu, mida te hetkel ei kasuta, hoidke lastele kättesaamatus kohas ning ärge lubage nendega töötada isikutel, kes pole tööriistade tööpõhimõtete või käesoleva juhendiga tutvunud.** Koolitamata isikute käes on elektritööriistad ohtlikud.
- e) **Hooldage nii elektritööriistu kui tarvikuid. Kontrollige, et liikuvad komponendid on korrektselt joondatud ja kinnitatud ning ükski osa ei ole katki, ning jälgige ka muid aspekte, mis võiksid elektritööriista tööd mõjutada.** Kahjustatud elektritööriist tuleb enne kasutamist parandada. Halvasti hooldatud elektritööriistad põhjustavad palju õnnetusi.
- f) **Hoidke oma lõiketööriistad teravad ja puhtad.** Korralikult hooldatud ja teravate servadega lõikevahendid ei kiilu nii kergesti kinni ja on lihtsamini kontrollitavad.
- g) **Kasutage elektritööriista, selle tarvikuid, tööriistaosi jm vastavalt käesolevale juhendile, võttes arvesse töötingimusi ja teostatavat tööd.** Elektritööriista mittesihipärane kasutamine võib põhjustada ohtlikke olukordi.
- h) **Hoidke käepidemed ja haardepinnad kuivad ja puhtad ning vältige neile õli ja rasva sattumist.** Libedad käepidemed ja haardepinnad takistavad seadme ohutut kasutamist ja käsitsemist ootamatutes olukordades.
- 5) **AKUSEADMETE KASUTAMINE JA HOOLDUS**
  - a) **Kasutage laadimiseks ainult tootja poolt ette nähtud laadijaid.** Akulaadija, mis sobib teatud tüüpi akuploki, võib põhjustada tulekahju ohtu, kui seda kasutada mõne teise akuplokiga.
  - b) **Kasutage elektritööriistu ainult nende jaoks ette nähtud akuplokkidega.** Mõne muu akuploki kasutamine võib põhjustada vigastuste ja tulekahju ohtu.
  - c) **Kui akuplokki ei kasutata, hoidke seda eemal muudest metallesemetest nagu kirjaklambrid, mündid, võtmed, naelad, kruvid ja muud väikesed metallesemed, mis võivad klemmide vahel ühenduse luua.** Akuklemmide lühiühendus võib põhjustada põletushaavu või tulekahju.
  - d) **Valedes tingimustes kasutamisel võib akust vedelikku välja tulla; vältige kokkupuudet.** Kokkupuute korral loputada veega. Kui vedelik satub silma, pöörduge lisaks ka arsti poole. Akust erituv vedelik võib põhjustada ärritust või põletusi.
  - e) **Ärge kasutage kahjustunud või modifitseeritud akuplokki või tööriista.** Kahjustunud või modifitseeritud akud võivad toimida ettearvamatu, mille tagajärjeks võivad olla tulekahju, plahvatus või vigastuste oht.
  - f) **Vältige akuploki või tööriista kokkupuudet tule või liiga kõrge temperatuuriga.** Kokkupuude lahtise tule või temperatuuriga üle 130 °C võib põhjustada plahvatuse.
  - g) **Järgige kõiki laadimisjuhiseid ja ärge laadige akuplokki või tööriista vale temperatuuril juures (vt juhiseid).** Valesti või valel temperatuuril laadimine võib kahjustada akut ja suurendada tulekahju ohtu.
- 6) **HOOLDUS**
  - a) **Laske oma akutööriista hooldada kvalifitseeritud remonditehnikul, kes kasutab ainult identseid originaalvaruosid.** See tagab elektritööriista ohutuse.
  - b) **Ärge kunagi hooldage kahjustunud akuplokke.** Akuplokkide hooldust võib teostada ainult tootja või

volitatud teeninduskeskus.

## OHUTUSJUHISED AKUGA SURUÕHUVASARATE KOHTA

### 1) OHUTUSJUHISED KÕIKIDE TOIMINGUTE KORRAL

a) **Kandke löökpuurimise ajal kõrvaklappe** Kokkupuude müraga võib põhjustada kuulmiskadu

b) **Hoidke tööriista ainult isoleeritud kinnihoidmiskohtadest, kui töotate olukorras, kus löiketarvik või kinniti võib puutuda kokku peidetud juhtmetega.** Löiketarviku ja kinnitusdetailide kokkupuude pingestatud juhtmega võib elektrilise tööriista metallosi pingestada ning see võib käitajale elektrilööki põhjustada

### 2) OHUTUSJUHISED PIKA PUURI KASUTAMISE KORRAL

a) **Ärge kasutage kunagi kiirusel, mis ületab puuri maksimaalset nimikiirust** Suurematel kiirustel võib puuritera painduda, kui sellel lastakse ilma puuritavat pinda puudutamata töötada, mille tagajärjel tekivad kehahised vigastused.

b) **Puurimist tuleb alustada alati madalal kiirusel ja puuri lõiketera peab töödeldava detailiga kokku puutama** Suurematel kiirustel võib puuritera painduda, kui sellel lastakse ilma puuritavat pinda puudutamata töötada, mille tagajärjel tekivad kehahised vigastused.

c) **Rakendage jõudu ainult otse lõiketerale ja ärge rakendage liigselt jõudu** Lõiketerad võivad painduda ja põhjustada seeläbi purunemist või kontrolli kaotamist ning isikukahju

### ÜLDIST

- Pliid sisaldavat värvi, mõningaid puidulikke, mineraale ja metalli sisaldavad materjalid eraldavad tolmu, mis võib olla kahjulik (kokkupuude tolmu või selle sissehingamine võib seadme kasutajal või läheduses viibivatel inimestel põhjustada allergilisi reaktsioone ja/või hingamisteede haigusi); **kandke tolumaski ja vajaduse korral töötage külgeühendatava tolmueraldusseadmega.**
- Teatud tüüpi tolmu on klassifitseeritud kantserogeensena (nt tammest ja pöögist eralduv tolmu), eriti koos puidu niiskuse reguleerimiseks kasutatavate lisanditega; **kandke tolumaski ja vajaduse korral töötage külgeühendatava tolmueraldusseadmega.**
- Erinevate materjalide töötlemisel tekkiva tolmu käitlemisel tuleb järgida kehtivaid nõudeid.
- **Asbesti sisaldava materjali töötlemine on keelatud** (asbesti peetakse kantserogeenseks).
- Enne seadistuste tegemist ja tarvikute vahetamist, samuti seadme transportimist või hoiule panekut, veenduge, et lüliti J<sup>2</sup> oleks keskmises asendis (lukustatud)

### LISATARVIKUD

- SKIL tagab seadme häireteta töö üksnes originaaltarvikute kasutamisel
- Kasutage vaid neid tarvikuid, mille lubatud pöörte arv on vähemalt sama suur nagu maksimaalsed tühikäigupöörded

### ENNE KASUTAMIST

- Vältige töödeldavas esemes olevatest kruvidest, naeltest vms põhjustatud kahjustusi; eemaldage need enne töö alustamist.
- **Kinnitage toorik** (fiksaatoriga kinnitatud või kruustangide vahele pandud toorik püsib kindlamini paigal kui lihtsalt käega hoides).

- **Varjatult paiknevate edastusliinide (elektrijuhtmed, gaasi- või veetorud) avastamiseks kasutage sobivaid detektoreid või pöörduge kohaliku elektri-, gaasi- või vee-ettevõtte poole** (kokkupuutel elektrijuhtmetega tulekahju- ja elektrilöögioht; gaasitorustiku vigastamiseks plahvatusoht; veetorustiku vigastamisel materiaalne kahju või elektrilöögioht).

### AKUD

- **Kaasasolev aku (kui selline komplektis sisaldub) on osaliselt laetud** (aku täisvõimsuse tagamiseks laadige aku enne elektritööriista esmakordset kasutamist akulaadijas korralikult täis).
- **Kasutage selle tööriistaga ainult järgmisi akusid ja laadijaid.**
  - SKILi aku: BR1\*31\*\*\*\*
  - SKILi laadur: CR1\*31\*\*\*\*
- Ärge kasutage kahjustatud akusid, vaid vahetage need kohe välja
- Ärge võtke akut lahti.
- Ärge jätke tööriista/akut vihma kätte.
- Ümbritseva keskkonna lubatud temperatuur (tööriista/laadijat/akut):
  - laadimisel 4 kuni 40 °C;
  - töötamisel -20 kuni +50 °C;
  - hoiustamisel -20 kuni +50 °C.

### TÖÖRIISTAL/AKUL OLEVATE SÜMBOLITE SELGITUS

- ③ Enne kasutamist tutvuge kasutusjuhendiga.
- ④ Tulle visatud akud plahvatavad, seepärast ei tohi akut mitte mingil juhul põletada.
- ⑤ Hoidke tööriista/laadijat/akut kohas, kus temperatuur ei ületa 50 °C.
- ⑥ Ärge visake kasutusõlbumatuks muutunud elektrilisi tööriistu ja akusid ära koos olmejäätmetega.

## KASUTAMINE

- Kombinatsioonlüliti sisse-/väljalülitamiseks ja kiiruse reguleerimiseks A ②
  - Avaldades päästikule suuremat või väiksemat survet, saab kiirust sujuvalt reguleerida nullist kuni maksimaalsete pöörteni.
- Aku laadimine
  - ! **Lugege laadijaga kaasasolevaid ohutushoiatusi ja juhiseid.**
- Aku eemaldamine/paigaldamine ②
- Aku laetustasme indikaator ⑦
  - vajutage aku laetustaseme vaatamiseks aku laetustaseme märgutule nuppu M ⑦a
  - ! **kui aku laetustaseme märgutule hakkab pärast nuppu M ⑦b vajutamist kõige madalam tase vilkuma, on aku tühi.**
  - ! **kui aku laetustaseme märgutule hakkavad pärast nuppu M ⑦c vajutamist 2 taset vilkuma, ei ole aku lubatud töötemperatuuri vahemikus.**
- Pöörlemisuuna muutmine ⑧
  - kui see pole õigesti vasak-/parempoolsesse asendisse seatud, ei saa lüliti A ② aktiveerida.
  - ! **! Pöörlemisuunda tohib muuta üksnes siis, kui seade on täielikult seiskunud.**
- Puuriterade vahetamine ⑨
  - ! **Ärge kasutage kahjustatud varrega otsakuid.**
- Kinnitusmomendi reguleerimine (VarTorque) ⑩
  - võlli pöördemomendi suurendamiseks pöörake sidurirõngas B asendist 1 asendisse 17

- kruvi sissekeeramist alustage VariTorque asendis 1 ja suurendage siis tasapisi pöördemomenti, kuni soovitud sügavus on saavutatud
- asend D lukustab siduri ja võimaldab puurida (löögita) või teha raskemat tööd
- asend C lukustab siduri ja võimaldab ainult löökpuurimist

**! veenduge, et kiiruse valija G on asendis 2, kui toimingu valija F on löökpuurimise asendis**

**! ärge kasutage löökpuurimise asendit C puidu, metalli, keraamika ja plastiku puurimiseks, et vältida puuritera / kruvikeeraja otsiku kahjustamist**

- Mehaaniline kiiruse valimine ⑪

- seadke valija G soovitud kiirusele

**! aktiveerige kiiruse valija siis, kui tööriist töötab aeglaselt**

**1**

- aeglane kiirus
- suur pöördemoment
- kruvide keeramiseks ja suure läbimõõduga aukude puurimiseks
- keermete puurimiseks

**2**

- suur kiirus
- madal pöördemoment
- löökpuurimiseks
- väikese läbimõõduga aukude puurimiseks

- TÖÖTULI K ⑫

- TÖÖTULI K süttib tööriista sisselülitamisel.

**! Kui TÖÖTULI hakkab vilkuma, on aku kaitse aktiveerunud (vt allpool)**

- Aku kaitse

Tööriist lülitatakse järsku välja või selle sisselülitamine ei ole võimalik, kui

- **koormus on liiga suur** --> eemaldage koormus ja taaskäivitage;

- **aku temperatuur ei ole lubatud töötemperatuuri vahemikus -20 kuni +50°C** --> märgutulel hakkavad nupu M ⑦ c vajutamisel 2 taset vilkuma; oodake, kuni aku on taas lubatud töötemperatuuri vahemikus

- **Aku on peaaegu tühi (et kaitsta täieliku tühjenemise eest)** --> nupu M vajutamisel näitab aku laetustaseme märgutuli ⑦ b aku tühjenemist või aku laetustase vilgub; pange aku laadima

**! ärge vajutage enam lülile (sisse/välja), kui tööriist on end automaatselt välja lülitanud, sest see võib akut kahjustada.**

- Seadme hoidmine ja juhtimine ⑬

**! Töötamise ajal hoidke tööriista kinni halli värvi haardepinnast (haardepindadest)**

- Hoidke ventilatsioonivad H ② vabad.

- Ärge rakendage tööriistale liigset survet; laske sellel enda heaks töötada.

## TÖÖJUHISED

- Kasutage sobivaid puuriterasid ⑭
- ! kasutage üksnes teravaid puuriterasid**
- Metallide puurimisel
  - kui vajate suuremat auku, puurige alul ette väike auk - määrige otsakuid aeg-ajalt õliga
- Kruvi keeramisel puidu otsapiirkonda on soovitatav auk ette puurida, et vältida puidu lõhenemist.
- Tööriista optimaalseks kasutamiseks on vajalik pidev

surve kruvile, eriti kruvi väljakeeramisel.

- Kruvi keeramisel kõvasse puitu on soovitatav auk ette puurida.
- Puidu puurimine kilde tekitamata ⑮
- Seinte puurimine tolmu tekitamata ⑯
- Lagede puurimine tolmu tekitamata ⑰
- Keraamiliste plaatide puurimine ilma libisemata ⑱
- Lisateavet lugege aadressilt [www.skil.com](http://www.skil.com)

## HOOLDUS/TEENINDUS

- Tööriist pole mõeldud professionaalseks kasutamiseks.
- Hoidke tööriist alati puhas (eriti ventilatsioonivad H ②)
- ! enne puhastamist eemaldage tööriistast aku**
- Tööriist on hoolikalt valmistatud ja testitud. Kui tööriist sellest hoolimata rikki läheb, tuleb see lasta parandada SKILi elektriliste käsitööriistade volitatud remonditöökojas.
  - toimetage lahtimonteerimata tööriist koos ostukviitungiga edasimüüjale või lähimasse SKILi lepingulisse töökotta (aadressid ja tööriista varuosade joonise leiata aadressil [www.skil.com](http://www.skil.com))
- Arvestage sellega, et garantii ei hõlma seadme ülekoormamisest või ebaõigest käsitsemisest tulenevaid kahjustusi (teavet SKILi garantiitingimuste kohta vaadake veebilehelt [www.skil.com](http://www.skil.com) või küsige kohalikult müügiesindajalt)

## KESKKOND

- **Ärge visake kasutuskõlbmatuks muutunud elektrilisi tööriistu, akusid, lisatarvikuid ja pakendeid ära koos olmejäätmetega** (üksnes ELi liikmesriikidele).
  - vastavalt Euroopa Parlamendi ja nõukogu direktiivile 2012/19/EÜ elektri- ja elektroonikaseadmete jäätmete kohta ning direktiivi nõuete kohaldamisele liikmesriikides tuleb kasutuskõlbmatuks muutunud elektrilised tööriistad koguda eraldi ja keskkonnasäästlikult korduvkasutada või ringlusse võtta.
  - Kõrvaldamisvajaduse tekkimisel meenutab seda teile sümbol ⑥.
- ! Enne aku kasutusest kõrvaldamist katke selle klemmid tugeva teibiga, et vältida lühise teket.**

## MÜRA / VIBRATSIOON

- Standardi EN 62841 kohaselt mõõdetud tööriista müratase on 90 dB(A) ja helivõimsuse tase 98 dB(A) (määramatus K = 5 dB) ning vibratsioon \* (triaksvektori summa; määramatus K = 1,5 m/s<sup>2</sup>)
  - \* metalli puurimisel 12,41 m/s<sup>2</sup>
  - \* betooni löökpuurimisel 14,49 m/s<sup>2</sup>
- Tekkiva vibratsiooni tase on mõõdetud vastavalt standardis EN 62841 kirjeldatud standarditud testile; seda võib kasutada tööriistade võrdlemiseks ja tööriista kasutamisel ettenähtud töödeks esineva vibratsiooni esialgseks hindamiseks
  - Tööriista kasutamisel muudeks rakendusteks või teiste / halvasti hooldatud tarvikute kasutamisel võib vibratsioon märkimisväärselt **suureneda**.
  - Ajal, kui tööriist on väljalülitatud või on küll sisselülitatud, kuid tegelikult seda ei kasutata, võib vibratsioon märkimisväärselt **väheneda**.
- ! Enda kaitsmiseks vibratsiooni eest hoolitage**

tööriista ja selle tarvikuid korralikult, hoidke oma käed soojad ja tagage sujuv töökorraldus.

LV

## Bezkontaktu triecienurbjmašina

3021

### IEVADS

- Šis instruments ir paredzēts skrūvju pieskrūvēšanai un atskrūvēšanai, kā arī urbšanai kokmateriālā, keramikā un plastmasā un triecienurbšanai ķieģeļos.
- Šis instruments nav paredzēts profesionālai lietošanai.
- Izlasiet un saglabājiet šo pamācību.③

### TEHNISKIE DATI ①

Maks. griezes moments cietam skrūvēšanas režīmam atbilstoši standartam ISO 5393: 55 Nm

### INSTRUMENTA ELEMENTI ②

- A Ieslēdzējs un griešanās ātruma regulators
- B Gredzens griezes momenta regulēšanai
- C Triecienurbšanas pozīcija
- D Urbšanas pozīcija
- E Skrūvēšanas pozīcija
- F Funkcijas maiņas slēdzis
- G Pārnesumu pārslēdzējs
- H Ventilācijas atveres
- J Griešanās virziens pārslēdzējs
- K DARBA GAISMA
- L Urbjpatrona
- M Akumulatora uzlādes līmeņa indikatora poga
- N Divpusējs uzgalis

### DROŠĪBA

#### VISPĀRĒJIE ELEKTROINSTRUMENTA DROŠĪBAS BRĪDINĀJUMI

**⚠ BRĪDINĀJUMS!** Izlasiet visus ar šo elektroinstrumentu saistītos drošības brīdinājumus, norādījumus, specifیکāciju un aplūkojiet attēlus. Visu turpmāk uzskaitīto norādījumu neievērošana var izraisīt elektriskās strāvas triecienu, aizdegšanos un/vai nopietnas traumas.

**Saglabājiet visus brīdinājumus un instrukcijas turpmākai atsaucei.**

Brīdinājumus lietotais termins „elektroinstruments” attiecas uz elektriski darbināmu instrumentu, kura barošanu nodrošina elektrotīkls (ar elektrokabeļi) vai akumulators (bez elektrokabeļa).

#### 1) DROŠĪBA DARBA ZONĀ

- a) **Uzturiet darba zonu tīru un labi apgaismotu.** Nesakārtota un slikti apgaismota darba zonā var notikt nelaimes gadījumi.
- b) **Nedarbiniet elektroinstrumentu sprādzienbīstamā vidē, piemēram, viegli uzliesmojošu šķidrums,**

gāzu vai putekļu klātbūtnē. Elektroinstrumenti rada dzirksteles, kas var aizdedzināt putekļus vai izgarojumu tvaikus.

- c) **Neļaujiet bērniem un klātesošajiem atrasties elektroinstrumenta tuvumā, kamēr tas darbojas.** Apjukuma brīdī jūs varat zaudēt vadību pār instrumentu.
- 2) **ELEKTRODROŠĪBA**
  - a) **Elektroinstrumenta kontaktdakšai jāsakrīt ar kontaktrozeti. Nekad nekādā veidā nepārveidojiet kontaktdakšu. Neizmantojiet adaptera kontaktdakšas kopā ar iezemētiem elektroinstrumentiem.** Lietojot nepārveidotas kontaktdakšas un atbilstošas kontaktlīdždas tiek samazināts elektriskās strāvas trieciena risks.
  - b) **Nepieskarieties sazemētām virsmām, piemēram cauruļvadiem, radiatoriem, plītiem un ledusskapjiem.** Saņemoties Jūs palielināt elektriskās strāvas trieciena risku.
  - c) **Sargājiet elektroinstrumentus no lietus vai mitruma.** Mitruma iekļūšana elektroinstrumentā palielina elektriskās strāvas trieciena risku.
  - d) **Nebojājiet strāvas vadu. Nekad nelietojiet strāvas vadu elektroinstrumenta pārnēsāšanai, vilkšanai vai kontaktdakšas izvilkšanai no kontaktrozetes. Sargājiet strāvas vadu no karstuma, eļļas, asām malām vai kustīgām daļām.** Bojāti vai samudzināti strāvas vadi palielina risku saņemt elektriskās strāvas triecienu.
  - e) **Strādājot ar elektroinstrumentu ārpus telpām, nodrošiniet, lai arī izmantotie vadu pagarinātāji būtu piemēroti āra darbiem.** Āra darbiem paredzēta vadu pagarinātāja izmantošana samazina elektriskās strāvas trieciena risku.
  - f) **Ja nav iespējams izvairīties no elektroinstrumenta darbināšanas mitrā vietā, izmantojiet barošanas sistēmu, kas aizsargāta ar noplūdes strāvas aizsardzības ierīcēm (RCD).** Noplūdes strāvas aizsardzības ierīču izmantošana samazina elektriskās strāvas trieciena risku.
- 3) **PERSONĪGĀ DROŠĪBA**
  - a) **Darbinot elektroinstrumentu, esiet modri, pievērsiet uzmanību tam, ko jūs darāt, un rīkojieties ar to saprātīgi.** Nelietojiet elektroinstrumentu, ja esat noguruši vai atrodaties apreibinošu vielu, alkohola vai medikamentu ietekmē. Pat viens mirklis neuzmanības elektroinstrumenta lietošanas laikā var kļūt par cēloni nopietnām traumām.
  - b) **Izmantojiet individuālos aizsarglīdzekļus. Vienmēr valkājiet acu aizsarglīdzekļus.** Ja tiek lietots darba specifikai atbilstošs aizsargaprīkojums, piemēram, maska ar putekļu filtru, neslīdoši darba apavi, ķivere vai austiņas, samazinās traumu gūšanas risks.
  - c) **Novērsiet nejausās ieslēgšanās iespējamību.** Pirms instrumenta pievienošanas strāvas avotam un/vai akumulatoru blokam pārliecinieties, vai slēdzis atrodas izslēgtā stāvoklī. Pārnēsājot elektroinstrumentu ar pirkstu uz slēdža vai iedarbinot elektroinstrumentu, kas jau ir ieslēgtā stāvoklī, var notikt nelaimes gadījums.
  - d) **Pirms elektroinstrumenta ieslēgšanas izņemiet visas noregulēšanas vai uzgriežņu atslēgas.** Regulēšanas instruments vai atslēga, kas palikusi elektroinstrumenta rotējošās daļās, var izraisīt traumas.
  - e) **Nepārvērtējiet savas spējas. Ieņemiet pareizu stāju**

un vienmēr saglabājiet līdzsvaru. Tādējādi jūs varēsiet labāk apvaldīt elektroinstrumentu negaidītās situācijās.

- f) **Valkājiet atbilstošu apģērbu. Nevalkājiet vaļīgu apģērbu vai rotaslietas. Sargājiet matus, apģērbu un cimdus no kustīgajām daļām.** Vaļīgs apģērbs, rotaslietas vai kuri mati var iekerties instrumenta kustīgajās daļās.
- g) **Ja iekārtas ir paredzētas savienošanai ar putekļu nosūkšanas un savākšanas iekārtām, pārliecinieties, vai tās ir pieslēgtas un tiek izmantotas pareizi.** Putekļu savākšanas ierīču izmantošana var samazināt ar putekļiem saistītos apdraudējumus.
- h) **Nepieļaujiet, ka iekārtas bieža lietošana varētu izraisīt nevērīgu attieksmi darbā ar to, un neignorējiet ar iekārtas lietošanu saistītos drošības principus.** Viens brīdis neuzmanības var izraisīt nopietnas traumas.
- 4) **ELEKTROINSTRUMENTA LIETOŠANA UN APKOPE**
  - a) **Nespiediet elektroinstrumentu ar spēku. Lietojiet attiecīgajam darbam piemērotāko elektroinstrumentu.** Piemērots elektroinstrumenti labāk un drošāk spēs izpildīt veicamo darbu, darbojoties tam paredzētajā ātrumā.
  - b) **Nelietojiet elektroinstrumentu, ja to nav iespējams ieslēgt un izslēgt ar slēdzi.** Ja elektroinstrumentu nav iespējams ieslēgt un izslēgt ar slēdzi, tas ir bīstams, tāpēc nekavējoties jāsalabo.
  - c) **Pirms jebkādu pielāgojumu veikšanas, piederumu maiņas vai elektroinstrumenta novietošanas glabāšanā atvienojiet kontaktdakšu no barošanas avota un/vai izņemiet no elektroinstrumenta akumulatora bloku, ja to var izdarīt.** Šādi piesardzības pasākumi palīdzēs novērst nejašu elektroinstrumenta ieslēgšanu.
  - d) **Ja elektroinstrumenti kādu laiku netiek lietoti, uzglabājiet tos bērniem nepieejamā vietā un neļaujiet ar elektroinstrumentu darboties personām, kas instrumentu nepazīna vai nav izlasījušas šīs instrukcijas.** Nemākulīgās rokās nonākuši elektroinstrumenti ir potenciāls briesmu avots.
  - e) **Veiciet elektroinstrumentam un piederumiem apkopi. Pārbaudiet, vai ir pareizi uzstādītas kustīgās daļas un vai tās neķeras, un vai elektroinstrumenta daļām nav bojājumu, kas var negatīvi ietekmēt tā darbību. Bojāts elektroinstrumenti ir jāsalabo pirms nākamās lietošanas reizes.** Daudzu negadījumu cēlonis ir sliktā stāvoklī esošu elektroinstrumentu izmantošana.
  - f) **Griezējinstrumentiem jābūt asiem un tīriem.** Rūpīgi kopti griezējinstrumenti retāk iestrēgst un ir vieglāk vadāmi.
  - g) **Lietojiet elektroinstrumentu, tā piederumus un maināmos instrumentus, kā arī citus saistītos elementus atbilstoši šiem norādījumiem, ņemot vērā darba apstākļus un veicamo uzdevumu.** Elektroinstrumenta lietošana neparedzētiem mērķiem var radīt bīstamu situāciju.
  - h) **Rokturiem un satveršanas daļām jābūt sausiem, tīriem un uz tiem nedrīkst būt eļļa vai smērviela.** Ja rokturi un satveršanas daļas ir mitras, tās slīdēs, un ar instrumentu vairs nebūs droši strādāt, kā arī apvaldīt neparedzētu apstākļu gadījumos.

## 5) AKUMULATORA LIETOŠANA UN APKOPE

- a) **Uzlādējiet instrumentu tikai ar ražotāja noteikto lādētāju.** Lādētājs, kas paredzēts lietošanai tikai ar vienu veida akumulatoru bloku, var radīt aizdegšanās draudus, ja to izmanto kopā ar citu akumulatoru bloku.
  - b) **Lietojiet elektroinstrumentus kopā tikai ar tiem paredzētiem akumulatoru blokiem.** Jebkura cita akumulatoru bloka lietošana var radīt traumu gūšanas un aizdegšanās risku.
  - c) **Kad akumulatoru bloks netiek izmantots, neglabājiet to citu metāla priekšmetu, piemēram, papīra saspraužu, monētu, atslēgu, naglu, skrūvju vai citu sīku metāla priekšmetu, kas var veidot savienojumu starp spailēm, tuvumā.** Akumulatora spaiļu īsslēgums var izraisīt aizdegšanos vai ugunsgrēku.
  - d) **Nepareizas rīcības gadījumā no akumulatora var iztect šķidrums; izvairieties no saskares ar to. Ja tas nejauši nokļuvis uz ādas, noskalojiet ar ūdeni. Ja šķidrums iekļuvis acīs, nekavējoties meklējiet medicīnisko palīdzību.** No akumulatora izkļuvušais šķidrums var izraisīt kairinājumu vai apdegumus.
  - e) **Nelietojiet bojātu vai pārveidotu akumulatoru bloku uz instrumentu.** Bojātu vai pārveidotu akumulatoru izmantošana var izraisīt neparedzamus apstākļus, kas rada aizdegšanās, sprādziena vai traumas gūšanas draudus.
  - f) **Nepakļaujiet akumulatoru bloku vai iekārtu uguns liesmu vai pārmērīgas temperatūras iedarbībai.** Uguns liesmu iedarbība vai temperatūra virs 130 °C var izraisīt sprādzienu.
  - g) **Izpildiet visas uzlādēšanas instrukcijas un neuzlādējiet akumulatoru bloku vai instrumentu ārpus instrukcijās norādītajām temperatūras vērtībām.** Ja iekārta tiek uzlādēta nepareizi vai tiek pārsniegtas instrukcijās norādītās uzlādēšanas temperatūras vērtības, akumulators var sabojāties un palielināt aizdegšanās risku.
- ## 6) SERVISS
- a) **Elektroinstrumenta remontdarbus drīkst veikt tikai kvalificēts speciālists, izmantojot tikai oriģinālās rezerves daļas.** Tādējādi tiks garantēts elektroinstrumenta lietošanas drošums.
  - b) **Nekad neveiciet bojātam akumulatoru blokam remontdarbus pašrocīgi.** Bojāta akumulatoru bloka remontdarbus drīkst veikt tikai ražotājs vai pilnvaroti servisa darbinieki.

## DROŠĪBAS NORĀDĪJUMI PAR BEZVADU TRIECIENURBJMAŠĪNU

### 1) DARBA DROŠĪBAS NOTEIKUMI VISU DARBĪBU VEIKŠANAI

- a) **Veicot triecienuurbšanu, izmantojiet ausu aizsargus.** Trokšņa iedarbība var izraisīt dzirdes zudumu.
- b) **Ja darbības laikā pastāv iespēja griešanas piederumam vai stiprinājumam skart kādu aplēptu elektropārvades līniju, turiet elektroinstrumentu tikai aiz tā izolētās satveršanas virsmas.** Darbinstrumentam un stiprinājumiem skarot spriegumnesošus vadus, spriegums nonāk arī uz instrumenta metāla daļām un var izraisīt elektronisku triecienu.

### 2) DARBA DROŠĪBAS NOTEIKUMI, IZMANTOJOT

## GARUS URBŠANAS UZGAĻUS

- a) **Nekad neurbiet, pārsniedzot maksimālo ātrumu, kas norādīts uz urbšanas uzgaļa.** Rotējot lielākā ātrumā un nesaskaroties ar urbjamo detaļu, uzgalis var saliekties, kas var izraisīt savainojumu.
- b) **Vienmēr sāciet urbšanu nelielā ātrumā, uzgaļa galam saskaroties ar urbjamo detaļu.** Rotējot lielākā ātrumā un nesaskaroties ar urbjamo detaļu, uzgalis var saliekties, kas var izraisīt savainojumu.
- c) **Piespiediet tieši tādā virzienā, kādā vērstas uzgalis, un nespiediet pārāk stipri.** Uzgaļi var saliekties, tā tie var salūzt vai varat zaudēt kontroli pār instrumentu un gūt savainojumu.

## VISPĀRĒJA INFORMĀCIJA

- Materiāla, piemēram svīnu saturošas krāsas, dažu koka šķirņu, minerālu un metāla, putekļi var būt kaitīgi (saskare ar putekļiem vai to ieelpošana var izraisīt alerģiskas reakcijas un/vai elpošanas ceļu sasilšanas operatoram vai klātesošajiem); **izmantojiet putekļu masku un putekļsūcēju, ja to iespējams pievienot**
- Dažu veidu putekļi ir klasificēti kā kancerogēni (piemēram, ozola vai dižskābarža putekļi), jo īpaši apvienojumā ar koksnes kondicionēšanas piedevām; **izmantojiet putekļu masku un putekļsūcēju, ja to iespējams pievienot**
- Ievērojiet ar putekļu savākšanu saistītos nacionālos noteikumus, kas attiecas uz apstrādājamajiem materiāliem
- **Neapstrādājiet materiālus, kas satur azbestu** (azbestam piemīt kancerogēnas īpašības)
- Pirms regulēšanas vai piederumu nomaiņas, kā arī, pārnesot vai uzglabājot instrumentu, **pārliedzieties, ka tā pārslēdzēs J②** atrodas vidējā (bloķētā) stāvoklī

## PIEDERUMI

- Firma SKIL garantē instrumenta nevainojamu darbību tikai tad, ja tiek lietoti oriģinālie papildpiederumi
- Lietojiet tikai tādus darbinstrumentus, kuru pieļaujamais darbības ātrums ir vismaz tikpat liels, kā instrumenta maksimālais brīvgaits ātrums

## PIRMS DARBA UZSĀKŠANAS

- Izvairieties no instrumenta bojājumiem, ko var radīt apstrādājamajā priekšmetā esošās skrūves, naglas vai citi līdzīgi objekti; pirms darba uzsākšanas atbrīvojiet apstrādājamo materiālu no šādiem priekšmetiem
- **Nostipriniet apstrādājamo detaļu** (to ir drošāk nostiprināt ar spailēm vai skrūvspīlēm, nevis turēt rokā)
- **Ar piemērota metālmeklētāja palīdzību pārbaudiet, vai apstrādes vietu nekseršo slēptas elektropārvades līnijas, kā arī gāzes vai ūdens caurules; šaubu gadījumā griezieties vietējā komunālās saimniecības iestādē** (darbinstrumentam skarot elektrotīkla fāzes līniju, var izcelties ugunsgrēks un strādājošais var saņemt elektrisko triecienu; gāzes vada bojājums var izraisīt sprādzienu; darbinstrumentam skarot ūdensvada cauruli, var tikt bojātas materiālās vērtības un strādājošais var saņemt elektrisko triecienu)

## AKUMULATORI

- **Komplektā iekļautais akumulators, ja tāds ir, nav pilnībā uzlādēts** (lai nodrošinātu pilnu akumulatora jaudu, pirms elektroinstrumenta pirmās izmantošanas reizes uzlādējiet to pilnībā, izmantojot uzlādes ierīci)
- **Izmantojiet tikai instrumenta piegādes komplektā ietilpstošos akumulatorus un uzlādes ierīces**
  - SKIL akumulators: BR1\*31\*\*\*\*
  - SKIL lādētājs: CR1\*31\*\*\*\*

- Nelietojiet bojātu akumulatoru; tas nekavējoties jānomaina
- Neizjauciet akumulatoru
- Neatstājiet instrumentu/akumulatoru lietū
- Pieļaujamā apkārtējā gaisa temperatūra (instruments/lādētājs/akumulators):
  - uzlādes laikā 4...40 °C
  - darba laikā -20...+50 °C
  - uzglabāšanas laikā -20...+50 °C

## UZ INSTRUMENTA/AKUMULATORA ATTĒLOTO SIMBOLU SKAIDROJUMS

- ③ Pirms ekspluatācijas izlasiet instrukciju rokasgrāmatu
- ④ Ja akumulators tiks dedzināts, tas eksplodēs, tāpēc nekādā gadījumā to nededziniet
- ⑤ Uzglabājiet instrumentu/lādētāju/akumulatoru vietā, kur temperatūra nepārsniedz 50 °C
- ⑥ Neizmetiet elektroiekārtas un baterijas kopā ar sadzīves atkritumiem

## LIETOŠANA

- Kombinētais slēdzis instrumenta ieslēgšanai un ātruma regulēšanai A ②
  - izmainot spiedienu uz ieslēdzēju, plūstoši regulējiet darbvārpstas griešanās ātrumu no nulles vērtības līdz maksimālajai
- Akumulatora uzlādēšana
  - ! **izlasiet lādētāja komplektā iekļautos drošas lietošanas noteikumus un norādījumus**
- Akumulatora izņemšana/ievietošana ②
- Akumulatora uzlādes statusa indikators ⑦
  - lai uzzinātu akumulatora uzlādes līmeni ⑦a, nospiediet akumulatora līmeņa rādītāja pogu
  - ! **ja pēc M ⑦b pogas nospiešanas sāk mirgot akumulatora indikatora apakšējais līmenis, tas nozīmē, ka akumulators ir tukšs**
  - ! **ja pēc pogas M ⑦c nospiešanas sāk mirgot 2 akumulatora indikatora līmeņi, tas nozīmē, ka akumulators neatrodas pieļaujamajā darba temperatūras diapazonā**
- Rotācijas virziena pārslēgšana ⑧
  - pārslēgu A ② nevar aktivizēt, ja tas nav pareizi iestatīts kreisajā/labajā stāvoklī
  - ! **pārslēdziet griešanās virzienu tikai tad, kad instruments ir pilnībā apstājies**
- Uzgaļu nomaiņa ⑨
  - ! **neizmantojiet uzgaļus ar bojātu kakliņu**
- Griezes momenta regulēšanas sistēma (VariTorque) ⑩
  - izejas griezes moments pieaug, griežot regulējošo gredzenu B no stāvokļa 1 līdz stāvoklim 17
  - ieskrūvējot skrūvi, vispirms pagrieziet regulējošo gredzenu stāvoklī 1, tad pakāpeniski palieliniet griezes momentu, līdz tiek sasniegts vēlamais ieskrūvēšanas dziļums
  - pozīcijā D regulējošais gredzens tiks nobloķēts, ļaujot veikt urbšanas (kas nav triecienuurbšana) un skrūvēšanas darbus ar lielu griezes momentu
  - pozīcijā C regulējošais gredzens tiks nobloķēts, ļaujot veikt tikai triecienuurbšanas darbus
  - ! **pārliedzieties, vai pārnesumu pārslēdzējs G atrodas pozīcijā 2, kad regulējošais gredzens atrodas triecienuurbšanas pozīcijā**
  - ! **lai novērstu urbja/skrūvgrieža uzgaļu bojājumus, neizmantojiet triecienuurbšanas pozīciju C,**

### lai urbtu kokmateriālā, metālā, keramikas izstrādājumos un plastmasā

- Mehāniskā pārnese pārslēgšana ⑪
    - ar pārslēdzēja G palīdzību izvēlieties vajadzīgo ātrumu
- ! pārvietojiet pārnese pārslēdzēju tikai tad, kad instruments darbojas ar nelielu ātrumu**

1

- mazs ātrums
- liels griezes moments
- piemērots skrūvju ieskrūvēšanai un lielāka diametra urbumu veidošanai
- piemērots vītņu iegriešanai

2

- liels ātrums
  - mazāks griezes moments
  - triecienuurbšanai
  - piemērots mazāka diametra urbumu veidošanai
- DARBA GAISMA K ⑫
    - DARBA GAISMA K iedegas režīzē ar instrumenta ieslēgšanu.

### ! DARBA GAISMAI sākot mirgot, tiek aktivizēta akumulatora aizsardzība (skatīt zemāk)

- Akumulatora aizsardzība  
Instruments tiek tūlīt izslēgts vai arī to nav iespējams ieslēgt, ja
    - **pārāk liela slodze** -> samaziniet slodzi un ieslēdziet instrumentu no jauna
    - **akumulatora temperatūra ir ārpus atļautā darba diapazona no -20 līdz +50 °C** --> nospiežot pogu M ⑦c, sāk mirgot akumulatora 2 līmeņu rādītāja iedaļas; pagaidiet, līdz akumulatora temperatūra atkal ir atļautajā darba diapazonā
    - **akumulators ir gandrīz tukšs (aizsardzībai pret pilnīgu izlādi)** --> nospiežot pogu M, akumulatora līmeņa rādītājā ir attēlota zemākā akumulatora līmeņa rādītāja iedaļa vai mirgojoša zemākā akumulatora līmeņa rādītāja iedaļa ⑦b; uzlādējiet akumulatoru
- ! pēc instrumenta automātiskas izslēgšanās nedrīkst piesiet ieslēgšanas un izslēgšanas slēdzi, jo tā var sabojāt akumulatoru**
- Instrumenta turēšana un pārvietošana ⑬
    - ! **darba laikā vienmēr turiet instrumentu aiz pelēkās krāsas noturvīrsmas(ām)**
    - nenosprostojiet ventilācijas atveres H ②
    - darba laikā pārlieku nespiediet instrumentu; ļaujiet tam darboties nominālā režīmā

## PRAKTISKI PADOMI

- Lietojiet tikai tādus uzgaļus, kas atbilst apstrādājamajam materiālam ⑭
  - ! **lietojiet tikai asus uzgaļus**
- Melno metālu urbsana
  - ja nepieciešams izveidot liela diametra urbumu, vispirms ieurbiet mazāka izmēra atvērums
  - laiku pa laikam ieeļļojiet urbi
- Veicot skrūves ieskrūvēšanu tuvu koka priekšmeta vai konstrukcijas malai, vispirms ieteicams ieurbt atvērums, lai novērstu koksnes plaisāšanu
- Lai instruments tiktu izmantots optimālā režīmā, ieturiet pastāvīgu spiedienu uz skrūves galvu, īpaši tad, ja skrūve tiek izskrūvēta
- Veicot skrūves ieskrūvēšanu cietā koksņē, vispirms ieurbiet atvērums

- Urbumu veidošana koksņē bez apstrādājamā materiāla daļiņu atšķelšanas ⑮
- Urbumu veidošana sienās, vienlaicīgi savācot urbsanas rezultātā radušos grūžus ⑯
- Urbumu veidošana griestos, vienlaicīgi savācot urbsanas rezultātā radušos grūžus ⑰
- Urbumu veidošana flīzēs, nepieļaujot to splaisāšanu ⑱
- Papildu informāciju skatīt tīmekļa vietnē [www.skil.com](http://www.skil.com)

## APKOPE/SERVISS

- Šis instruments nav paredzēts profesionālai lietošanai.
- Vienmēr uzturiet instrumentu tīru (īpaši ventilācijas atveres H ②)
  - ! **pirms tīrīšanas izņemiet no instrumenta akumulatoru**
- Ja, neraugoties uz augsto izgatavošanas kvalitāti un rūpīgo pēcražošanas pārbaudi, instruments tomēr sabojājas, tas jānogādā remontam firmas SKIL pilnvarotā elektroinstrumentu remonta darbnīcā.
  - nogādājiet instrumentu neizjauktā veidā kopā ar iegādes dokumentiem tuvākajā tirdzniecības vietā vai firmas SKIL pilnvarotā piegādes apkalpošanas un remonta iestādē (adreses un instrumenta apkalpošanas shēma ir sniegta interneta vietnē [www.skil.com](http://www.skil.com))
- Ievērojiet, ka garantijā neietilpst pārslodzes vai nepareizas instrumenta ekspluatācijas izraisītie bojājumi (SKIL garantijas noteikumus skatiet [www.skil.com](http://www.skil.com) vai vērsieties pie izplatītāja)

## APKĀRTĒJĀS VIDES AIZSARDZĪBA

- **Neizmetiet elektroiekārtas, baterijas, piederumus un iesaiņojuma materiālus sadzīves atkritumos** (tikai ES valstīm)
  - saskaņā ar Eiropas Savienības direktīvu 2012/19/ES par nolietotajām elektriskajām un elektroniskajām iekārtām un tās atspoguļojumiem nacionālajā likumdošanā, nolietotās elektroiekārtas ir jāsavāc, jāizjauc un jānogādā atbilstoši pārstrādei apkārtējai videi nekaitīgā veidā
  - Simbols ⑥ atgādina par nepieciešamību tos likvidēt videi nekaitīgā veidā.
- ! **pirms akumulatora utilizācijas tā kontakti jāaplīmē ar izolācijas lenti, lai nepieļautu īssavienojuma rašanos starp tiem**

## TROKSNIS / VIBRĀCIJA

- Veicot mērījumus atbilstoši EN 62841, šī instrumenta akustiskā spiediena līmenis ir 90 dB(A) un akustiskās jaudas līmenis ir 98 dB(A) (nenoteiktība K = 5 dB), bet vibrācija \* (triaksiālā vektora summa; nenoteiktība K = 1,5 m/s<sup>2</sup>)
  - \* veicot urbsanu metālā 12,41 m/s<sup>2</sup>
  - \* veicot triecienuurbšanu betonā 14,49 m/s<sup>2</sup>
- Vibrācijas līmenis ir noteikts, izmantojot standartā EN 62841 paredzēto procedūru; to var izmantot, lai salīdzinātu instrumentus un provizoriski izvērtētu vibrācijas iedarbību, lietojot instrumentu minētajiem mērķiem
  - instrumenta izmantošana citiem mērķiem vai ar citiem vai nepietiekami koptiem piederumiem var ievērojami palielināt kopējo vibrācijas iedarbības pakāpi

- laika periodu, kad instrumentas ir išslėgts vai arī ir išslėgts, tačiau darbas ar to nenotiek, var ievėrojami samazināt kopējo vibrācijas iedarbības pakāpi, samazinot iedarbības līmeni

**! pasargājiet sevi no vibrācijas iedarbības, veicot instrumenta un tā piederumu tehnisko apkopi, novērsot roku atdzišanu un pareizi organizējot darbu**

LT

## Smūginis grēžtuvas su bešepečiu varikliu

3021

### ĮVADAS

- Šis įrankis skirtas sraigtams įsukti ir atsukti, o taip pat gręžti medienoje, metale, keramikoje ir plastike bei gręžti smūginiu būdu mūrą.
- Šis įrankis neskirtas profesionaliam naudojimui.
- Perskaitykite ir išsaugokite šią naudojimo instrukciją. ③

### TECHNINIAI DUOMENYS ①

Maksimali sraigto įsukimo jėga pagal ISO 5393: 55 Nm

### ĮRANKIO DALYS ②

- A Įjungimo ir išjungimo ir greičio reguliavimo jungiklis
- B Sukimo momento reguliavimo žiedas
- C Smūginio gręžimo padėtis
- D Gręžimo padėtis
- E Sraigtų įsukimo padėtis
- F Funkcijos keitimo jungiklis
- G Greičių perjungiklis
- H Ventilacinės angos
- J Sukimosi krypties perjungiklis
- K Darbinė lemputė
- L Kumštelinis griebtuvas
- M Baterijos įkrovos lygio indikatorius mygtukas
- N Dviejų galų antgalis

### SAUGA

#### BENDRIEJI ĮSPĖJIMAI DĖL DARBO SU ELEKTRINIŲ ĮRANKIŲ SAUGOS

**⚠ ĮSPĖJIMAS** Perskaitykite visus su šiuo elektriniu įrankiu pateiktus įspėjimus dėl saugos, instrukcijas, peržiūrėkite paveikslus ir specifikacijas. Nesilaikant visų toliau išdėstytų nurodymų galima patirti elektros smūgi, sukelti gaisrą ir (ar) sunkiai susižaloti.

**Išsaugokite visas instrukcijas su įspėjimais, nes jų gali prireikti ateityje.**

Įspėjimuose vartojamu terminu „elektrinis įrankis“ nurodomas iš elektros lizdo maitinamas (laidinis) arba baterija maitinamas (belaidis) elektrinis įrankis.

#### 1) SAUGA DARBO VIETOJE

- a) Darbo vieta turi būti švari ir gerai apšviesta. Jei darbo vieta netvarkinga ar blogai apšviesta, gali įvykti

nelaimingas atsitikimas.

- b) **Nedirbkite su elektriniu įrankiu sprogioje aplinkoje, pavyzdžiui, ten, kur yra degių skysčių, dujų arba dulkių.** Elektriniai įrankiai gali kibirkščiuoti, o nuo kibirkščių gali užsidegti dulkės arba susikaupę garai.
- c) **Dirbdami su elektriniu įrankiu, neleiskite artintis vaikams ir pašaliniams asmenims.** Dėl dėmesio blaškymo galite nesuvaldyti įrankio.

#### 2) ELEKTROSAUGA

- a) **Elektrinio įrankio kištukas turi tikti elektros lizdui. Niekada ir jokiais būdais nebandykite perdaryti kištuko. Su žemintais elektriniais įrankiais nenaudokite jokių kištuko adapterių.** Originalūs kištukai, tiksliai tinkantys elektros tinklo lizdui, sumažina elektros smūgio pavojų.
  - b) **Nesilieskite prie žemintų paviršių, pavyzdžiui, vamzdžių, radiatorių, viryklių ir šaldytuvų.** Jei jūsų kūnas bus žemintas, padidės elektros smūgio pavojus.
  - c) **Saugokite elektrinius įrankius nuo lietaus ir drėgmės.** Į elektrinio įrankio vidų patekus vandeniui padidėja elektros smūgio pavojus.
  - d) **Atsargiai elkitės su maitinimo laidu. Niekada neneškite ir netempkite elektrinio įrankio, laikydami už maitinimo laido. Netraukite laikydami už maitinimo laido, norėdami ištraukti kištuką iš elektros lizdo. Saugokite laidą nuo kaitros šaltinių, alyvos, aštrių briaunų ir judančių dalių.** Pažeidus arba supainiojus laidus išauga pavojus patirti elektros smūgi.
  - e) **Kai elektriniu įrankiu dirbate lauke, naudokite laukui skirtą laido ilgintuvą.** Naudojant laukui skirtą maitinimo laidą, sumažėja pavojus patirti elektros smūgi.
  - f) **Jeigu elektrinio įrankio naudojimas drėgnoje vietoje yra neišvengiamas, naudokite maitinimo šaltinį su liekamąja srove valdomu atjungimo įtaisu (RCD).** RCD naudojimas sumažina elektros smūgio pavojų.
- #### 3) ASMENINĖ SAUGA
- a) **Dirbdami su elektriniu įrankiu būkite budrūs, stebėkite, ką darote, ir vadovaukitės sveika nuovoka.** Nedirbkite su elektriniu įrankiu, jei esate pavargę arba vartojote narkotikus, alkoholį ar medikamentus. Dirbant su elektriniais įrankiais pakanka vienos neatidumo akimirkos ir galima sunkiai susižaloti.
  - b) **Naudokite asmeninės apsaugos priemones. Visada būkite su apsauginiais akiniais.** Atitinkamomis sąlygomis naudojamos apsaugos priemonės, pvz., respiratorius, neslidūs apsauginiai batai, šalmas arba ausinės, sumažina pavojų susižaloti.
  - c) **Apsisaugokite nuo atsitiktinio įrankio įsijungimo. Prieš įjungdami prie maitinimo šaltinio ir (ar) sudėtinės baterijos, prieš įrankį keldami arba nešdami įsitinkinkite, kad jungiklis yra išjungimo padėtyje. Nešant elektrinius įrankius uždėjus pirštą ant jungiklio arba netyčia įjungiant elektrinį įrankį su įjungtu jungikliu, gali įvykti nelaimingas atsitikimas.**
  - d) **Prieš įjungdami elektrinį įrankį, patraukite į šalį visus reguliavimo raktus ir veržliarakčius.** Elektrinio įrankio sukamojoje dalyje likus raktui ar veržliarakčiui galima susižaloti.
  - e) **Nesistenkite pasiekti pernelyg toli. Visada stovėkite tvirtai ir išlaikykite pusiausvyrą.** Tuomet geriau suvaldysite elektrinį įrankį netikėtose situacijose.
  - f) **Dėvėkite tinkamus drabužius. Nedėvėkite laisvų**



drabužių ir nenešiokite laisvai kabančių papuošalų. Saugokite savo plaukus ir drabužius nuo judamų dalių. Laisvus drabužius, papuošalus ar ilgus plaukus gali įtraukti judamosios dalys.

- g) Jei yra įtaisai, skirti dulkių išsiurbimo ir surinkimo įtaisams prijungti, tinkamai juos prijunkite ir naudokite. Naudojant dulkių surinkimo įrenginius, gali sumažėti su dulkelėmis susijusių pavojų.
- h) Dažnai naudodami įrankius pernelyg savimi nepasitikėkite ir nepraraskite budrumo, kad paisytumėte saugaus įrankio naudojimo taisyklių. Užtenka akimirkos išsiblaškymo, kad dėl neatsargaus veiksmo sunkiai susižalotumėte.
- 4) **ELEKTRINIŲ ĮRANKIŲ NAUDOJIMAS IR PRIEŽIŪRA**
  - a) Elektrinio įrankio pernelyg nespauskite. Naudokite jūsų darbiui tinkamą elektrinį įrankį. Veikdamas numatytoju greičiu, tinkamas elektrinis įrankis darba atlieka veiksmingiau ir saugiau.
  - b) Nenaudokite elektrinio įrankio, jeigu jo negalima įjungti ar išjungti jungikliu. Bet koks elektrinis įrankis, kurio jungiklis neveikia, yra pavojingas, tad jį būtina sustaisyti.
  - c) Prieš reguliuodami elektrinį įrankį, keisdami jo priedus arba padėdami jį į laikymo vietą, atjunkite kištuką nuo maitinimo šaltinio ir (ar) sudėtinę bateriją nuo įrankio. Ši saugumo priemonė apsaugos jus nuo netyčinio elektrinio įrankio įjungimo.
  - d) Nenaudojamus elektrinius įrankius laikykite vaikams neprieinamoje vietoje. Su elektriniu įrankiu neieškite dirbti asmenims, nesusipažinusiems su įrankiu arba šia instrukcija. Neapmokytų naudotojų naudojami elektriniai įrankiai kelia pavojų.
  - e) Tinkamai prižiūrėkite elektrinius įrankius ir jų priedus. Tikrinkite, ar sukamos jų dalys išcentruotos ir nestringa, ar nėra sulūžusių dalių ir kitų sąlygų, galinčių turėti įtakos elektrinio įrankio veikimui. Jei elektrinis įrankis sugedęs, prieš naudodami jį suremontuokite. Daugelio nelaimingų atsitikimų priežastis yra netinkama elektrinių įrankių priežiūra.
  - f) Pjovimo įrenginiai turi būti aštrūs ir švarūs. Tinkamai prižiūrimi pjovimo įrankiai aštriais ašmenimis rečiau stringa ir lengviau valdomi.
  - g) Elektrinį įrankį, priedus, antgalius ir kitas dalis naudokite pagal šią instrukciją, atsižvelgdami į darbo sąlygas ir atliekamą darbą. Naudojant elektrinius įrankius ne pagal paskirtį gali susidaryti pavojingos aplinkybės.
  - h) Įrankių rankenos ir sugriebimo paviršiai turi būti sausi, švarūs ir neištepti alyva ar tepalu. Dėl slidžių rankenų ir sugriebimo paviršių įrankį sunku saugiai valdyti ir jis gali išsprūsti netikėtomis aplinkybėmis.
- 5) **AKUMULIATORINIŲ ĮRANKIŲ NAUDOJIMAS IR PRIEŽIŪRA**
  - a) Kraukite naudodami tik gamintojo nurodytą įkroviklį. Naudojant įkroviklį, skirtą kito tipo sudėtinei baterijai, gali kilti gaisro pavojus.
  - b) Elektrinius įrankius naudokite tik su jiems skirtomis sudėtinėmis baterijomis. Naudojant kitokias sudėtines baterijas gali kilti sužalojimų ir gaisro pavojus.
  - c) Nenaudojamą sudėtinę bateriją reikia saugoti nuo metalinių daiktų, tokių kaip sąvaržėlės, monetos, raktai, viny, varžtai ar kiti smulkūs metaliniai daiktai, kurie gali sujungti abu baterijos gnybtus.

Įvykus trumpajam jungimui tarp baterijos gnybtų galima nusidiegti ar gali kilti gaisras.

- d) **Dėl netinkamų sąlygų iš baterijos gali ištekėti skystis – nelieskite jo.** Skysčiu atsitiktinai patekus ant odos, nedelsiant nuplaukite vandeniu. Jeigu skysčio pateko į akis, papildomai kreipkitės pagalbos į gydytojus. Iš baterijos ištekėjęs skystis gali dirginti arba nudeginti.
- e) **Nenaudokite pažeistos ar modifikuotos sudėtinės baterijos ar įrankio.** Tokios netinkamos sudėtinės baterijos gali kelti gaisro, sprogdimo ar sužalojimo pavojų.
- f) **Sudėtinės baterijos ar įrankio negalima deginti ar kaitinti.** Bateriją deginant ar įkaitinus virš 130 °C ji gali sprogti.
- g) **Laikykitės įrankio ar sudėtinės baterijos įkrovimo instrukcijų ir įkrovimą vykdykite nurodytame temperatūrų diapazone.** Priešingu atveju galite sugadinti sudėtinę bateriją ar net sukelti gaisrą.
- 6) **TECHNINĖ PRIEŽIŪRA**
  - a) **Jūsų elektrinio įrankio techninės priežiūros darbus gali vykdyti tik kvalifikuotas remonto meistras, naudodamas tik identiškas atsargines dalis.** Tokiu būdu elektrinis įrankis išliks saugus.
  - b) **Niekada neremontuokite sugadintos sudėtinės baterijos.** Tokias baterijas remontuoti gali tik gamintojas arba įgalioto techninės priežiūros centro specialistai.

## SAUGOS INSTRUKCIJOS DIRBANT SU SMŪGINIU GRĘŽTUVU

- 1) **SAUGOS INSTRUKCIJOS VISIEMS DARBAMS**
    - a) **Gręždami smūginiu būdu naudokite apsaugines ausines.** Dėl triukšmo galite pažeisti klausą.
    - b) **Elektrinį įrankį laikykite tik už izoliuoto, laikymui skirto paviršiaus, nes dirbant įrankio antgalis gali pažeisti paslėptą elektrinio įrankio laidą.** Įrankio antgaliai pažeidus laidą, kuriuo teka elektros srovė, neiizoliuotomis elektrinio įrankio dalimis taip pat pradeda tekėti srovė, kuri gali sukelti elektros smūgį.
  - 2) **SAUGOS INSTRUKCIJOS, NAUDOJANT ILGUS GRAŽTUS**
    - a) **Niekada nenaudokite didesnio nei didžiausias grąžto gręžimo greitis.** Esant didesniam greičiui, grąžtas gali sulinkti, jei jam bus leidžiama laisvai sukstis, nesiliečiant prie ruošinio, dėl to galima susižaloti.
    - b) **Visada pradėkite gręžti mažu greičiu ir prispaudę grąžtą prie ruošinio.** Esant didesniam greičiui, grąžtas gali sulinkti, jei jam bus leidžiama laisvai sukstis, nesiliečiant prie ruošinio, dėl to galima susižaloti.
    - c) **Spauskite grąžtą tik tiesia linija ir nespauskite per stipriai.** Grąžtas gali sulūžti, tuomet prarasite kontrolę ir galite susižaloti.
- BENDRIEJI NURODYMAI**
- Kai kurių medžiagų, kaip antai dažų, kurių sudėtyje yra švino, kai kurių medžių rūšių medienos, mineralų ir metalo dulksės gali būti kenksmingos (sąlytis su šiomis dulkelėmis arba įkvėptos dulksės gali sukelti operatoriui arba šalia esantiems žmonėms alergines reakcijas ir (ar) kvėpavimo sistemos susirgimus); **mūvėkite apsaugos nuo dulkių kaukę ir dirbdami naudokite dulkių ištraukimo įrenginį, jei jį galima prijungti.**
  - Kai kurių rūšių dulksės paskiriamos kancerogeninės (pvz., ažuolo arba buko medienos dulksės), ypač

susimaišiusios su medienos taurinimui naudojamais priedais; **mūvėkite apsaugos nuo dulkių kaukę ir dirbdami naudokite dulkių ištraukimo įrenginį, jei ji galima prijungti.**

- Vadovaukitės šalyje taikomų direktyvų reikalavimais, skirtais medžiagoms, su kuriomis norite dirbti.
- **Nepjunkite medžiagų, kurių sudėtyje yra asbesto** (asbestas gali sukelti vėžį).
- Prieš vykdant bet kokius įrankio reguliavimo darbus ar keičiant priedus, o taip pat jį pernešant ar padedant į laikymo vietą, J ② jungiklį būtina nustatyti į vidurinę (blokavimo) padėtį.

#### PRIEDAI

- SKIL gali užtikrinti nepriekaištingą įrankio veikimą tik tuo atveju, jei naudojama originali papildoma įranga ir priedai.
- Leidžiama naudoti tik tokius įrankius, kurių maksimalus leistinas sūkių skaičius yra ne mažesnis, nei maksimalus jūsų įrankio sūkių skaičius.

#### PRIEŠ DARBĄ

- Saugokite, kad nesugadintumėte įrankio į sraigtus, vinis ir kitas kliūtis ruošinyje; prieš pradėdami darbą juos pašalinkite.
- **Ruošinį saugiai įtvirtinkite** (spaustuvuose suspaustas ruošinys yra įtvirtintas geriau, nei laikomas ranka).
- **Su tinkamais ieškikliais patikrinkite, ar darbo zonoje nėra paslėptų komunalinių tinklų vamzdžių, arba pasikvieskite į pagalbą vietinius komunalinių paslaugų tiekėjus** (sąlytis su elektros laidais gali sukelti gaisro bei elektros smūgio pavojų; pažeidus dujotiekio vamzdį, gali įvykti sprogimas; pažeidus vandentiekio vamzdį, galima pridaryti daugybę nuostolių bei sukelti elektros smūgio pavojų).

#### BATERIJOS

- **Priedama baterija yra iš dalies įkrauta** (kad baterija veiktų visa galia, prieš pirmą kartą naudodami savo elektrinį įrankį iki galo ją įkraukite, įstatę į baterijų įkroviklį).
- **Su šiuo įrankiu naudokite tik šias baterijas ir įkroviklius:**
  - SKIL baterija: BR1\*31\*\*\*\*
  - SKIL įkroviklis: CR1\*31\*\*\*\*
- Nenaudokite pažeistų akumuliatorių baterijų, jas būtina tuoj pat pakeisti
- Baterijų neardykite.
- Nepalikite įrankio ir baterijos lietuje.
- Leistina aplinkos temperatūra (įrankio, įkroviklio, baterijos):
  - įkrovimo metu 4...40 °C
  - darbo metu -20...+50 °C
  - laikymo metu -20...+50 °C

#### SIMBOLIŲ ANT ĮRANKIO IR BATERIJOS PAAIŠKINIMAS

- ③ Prieš naudojant įrankį perskaityti instrukcijų vadovą.
- ④ Įmestos į ugnį baterijos gali sprogti; draudžiama baterijas deginti.
- ⑤ Laikyti įrankį / įkroviklį / bateriją vietoje, kurioje temperatūra neviršija 50 °C.
- ⑥ Elektrinius įrankius ir baterijas draudžiama išmesti kartu su buitinėmis atliekomis.

#### NAUDOJIMAS

- Bendras jungiklis įrankiui įjungti ir išjungti bei greičiui reguliuoti A ②
  - greitis nuo nulinio iki maksimalaus reguliuojamas

stipriau ar silpniau spaudžiant jungiklį.

- Baterijos įkrovimas
  - ! **Perskaitykite saugos įspėjimus ir instrukcijas, pateiktas kartu su įkrovikliu.**
- Baterijos išėmimas ir įstatymas ②
- Baterijos įkrovos indikatorius ⑦
  - spustelėkite baterijos įkrovos indikatoriaus mygtuką M, jei norite pamatyti baterijos įkrovos lygį ⑦a.
  - ! **Jei paspaudus mygtuką M ⑦b pradeda mirksėti mažiausios baterijos įkrovos indikatorius, tai reiškia, kad baterija išsikrovusi.**
  - ! **Jei paspaudus mygtuką M ⑦c pradeda mirksėti 2 baterijos įkrovos indikatoriai, tai reiškia, kad aplinkos temperatūra nėra leistiname darbo diapazone.**
- Sukimo krypties keitimas ⑧:
  - kol šis selektorius neužfiksuotas kraštinėje kairėje arba dešinėje padėtyje, A ② jungiklio negalima įjungti.
  - ! **Sukimo kryptį keiskite tik įrankiui visiškai sustojus.**
- Antgalių keitimas ⑨
  - ! **Nenaudokite antgalių su pažeistu kotu.**
- Sukimo momento reguliatorius (VariTorque) ⑩
  - sukimo momentas didėja, sukant movos žiedą B nuo 1-os iki 17-os padėties;
  - sudkami varžtus pradėkite nuo 1 „VariTorque“ žiedo padėties ir tik po to palaipsniui didinkite sukimo momentą, kol pasieksite pageidaujamą įsukimo gylį.
  - D padėtis skirta movai užrakinti ir gręžti nesmūginiu būdu ar sukti didelius varžtus;
  - C padėtis skirta movai užrakinti gręžti tik smūginiu būdu.
  - ! **Greičių perjungiklis G turi būti 2 padėtyje, kai funkcijos selektorius nustatytas į smūginio gręžimo padėtį.**
  - ! **Smūginio gręžimo padėties C nenaudokite medienai, metalui, keramikai ir plastikui gręžti, kad nesugadintumėte grąžtų ar antgalių.**
- Mechaninis greičių perjungimas ⑪
  - selektoriumi G pasirinkite pageidaujamą greitį.
  - ! **Greičių perjungiklį leidžiama naudoti tik esant mažiems variklio sūkiams.**
- 1
  - mažas greitis
  - didelis sukimo momentas
  - sraigtams sukti ir didelio skersmens skylėms gręžti
  - sriegimui
- 2
  - didelis greitis
  - mažas sukimo momentas
  - gręžti smūginiu būdu
  - mažo skersmens skylėms gręžti
- Darbinė lemputė K ⑫
  - Darbinė lemputė K užsidegia įjungus įrankį.
  - ! **Jei darbinė lemputė pradeda mirksėti, tai reiškia, kad suveikė baterijos apsauga (žr. toliau).**
- Baterijos apsauga
  - Įrankis staiga išsijungia arba jo nepavyksta įjungti, jeigu:
    - **apkrova per didelė** --> pašalinkite apkrovą ir vėl paleiskite;
    - **baterijos temperatūra nėra leistiname darbo diapazone nuo -20 °C iki +50 °C** --> paspaudus mygtuką M ⑦c pradeda mirksėti 2 baterijos įkrovos

индикаторiai; palaukite, kol baterijos temperatūra grįš į leistiną darbo diapazoną;

- **baterija beveik išsikrovusi (apsauga nuo visiško išsikrovimo)** --> paspaudus mygtuką M rodomas žemas baterijos lygis arba mirksi žemo įkrovos lygio indikatorius ⑦b; bateriją reikia pakeisti.

**! Nelaikykite nuspaudę įjungimo ir išjungimo jungiklio, jei įrankis išsijungė automatiškai, nes galite sugadinti bateriją.**

• Įrankio laikymas ir valdymas ⑬

**! Dirbdami visada laikykite įrankį už pilka spalva pažymėtų sugriebimo vietų.**

- neuždenkite ventiliacinių angų H ②;

- nespauskite įrankio pernelyg stipriai; tegul jis dirba už jus.

## NAUDOJIMO PATARIMAI

• Naudokite tinkamus darbu antgalius ⑭

**! Naudokite tik aštirus antgalius.**

• Gręžiant metalą:

- jei reikia gręžti didelio skersmens skylę, prieš tai išgręžkite mažą skylutę;

- retkarčiais patepkite grąžtą alyva.

• Prieš sukant sraig tą į medinio ruošinio pakraštį, visų

pirma reikia išgręžti skylutę, kad mediena neskiltų.

• Norėdami pasiekti optimalius rezultatus, įsukdami sraig tą

(o ypač išsukdami) nuolat laikykite įrankį prispausta.

• Prieš sukant sraig tą į kietmedį, visų pirma reikia išgręžti skylutę.

• Medžio gręžimas be atplaišų ⑮

• Mūro gręžimas be dulkių ⑯

• Lubų gręžimas be dulkių ⑰

• Plytelių gręžimas be įskilimų ⑱

• Daugiau informacijos rasite internete [www.skil.com](http://www.skil.com).

## TECHNINĖ PRIEŽIŪRA IR REMONTAS

• Šis įrankis neskirtas profesionaliam naudojimui.

• Įrankis visada turi būti švarus (ypač ventiliacinės angos H ②).

**! Prieš valydami išimkite iš įrankio bateriją.**

• Jeigu įrankis, nepaisant gamykloje atliekamo kruopštaus gamybos ir kontrolės proceso, vis dėlto sugestų, jo remontas turi būti atliekamas įgaliotose SKIL elektrinių įrankių remonto dirbtuvėse:

- neišardytą įrankį kartu su pirkimo čekiu siųskite įrankio pardavėjui arba į artimiausią SKIL įmonės įgaliotą techninės priežiūros centrą (adresus bei atsarginių dalių brėžinius rasite [www.skil.com](http://www.skil.com)).

• Turėkite omeny, kad garantija netaikoma, jei gedimas atsiranda dėl perkrovos ar netinkamo naudojimo (dėl SKIL garantijos sąlygų žr. [www.skil.com](http://www.skil.com) arba kreipkitės į pardavėją).

## APLINKOSAUGA

• **Nemeskite elektrinių įrankių, baterijų, papildomos įrangos ir pakuotės į buitinių atliekų konteinerius** (galioja tik ES valstybėms);

- pagal ES Direktyvą 2012/19/EB dėl naudotų elektrinių ir elektroninių prietaisų atliekų utilizavimo ir pagal galiojančius nacionalinius įstatymus netinkami naudoti elektriniai įrankiai turi būti surenkami atskirai ir pristatyti į tokių atliekų surinkimo vietas;

- simbolis O6 primins apie tai, kai tokią įrangą reikės išmesti.

**! Prieš išmesdami bateriją izoliuokite jos kontaktus, kad neįvyktų trumpasis jungimas.**

## TRIUKŠMAS / VIBRACIJA

• Išmatavus pagal EN62841 standartą, šio įrankio garso slėgio lygis yra 90 dB(A), garso galios lygis yra 98 dB(A) (neapibrėžtis K = 5 dB), o vibracija \* (trishio vektoriaus suma; neapibrėžtis K = 1,5 m/s<sup>2</sup>).

\* gręžiant metalą 12,41 m/s<sup>2</sup>

\* gręžiant betoną smūginiu būdu 14,49 m/s<sup>2</sup>

• Vibracijos sklaidos lygis išmatuotas pagal standarte EN 62841 išdėstyto standartizuoto bandymo reikalavimus; ši vertė gali būti naudojama vienam įrankiui palyginti su kitu bei išankstiniam vibracijos poveikiui įvertinti, kai įrankis naudojamas paminėtais būdais:

- naudojant įrankį kitokiais būdais arba su kitokiais bei netinkamai prižiūrimais priedais, gali ženkliai išaugti poveikio lygis;

- kai įrankis išjungtas arba yra įjungtas, tačiau juo nedirbama, gali ženkliai sumažėti poveikio lygis.

**! Apsisaugokite nuo vibracijos poveikio prižiūradami įrankį ir jo priedus, laikydami rankas šiltais ir derindami darbo ciklus su pertraukėlėmis.**

МК

**Ударна дупчалка без четки**

**3021**

## УПАТСТВО

- Овој алат е наменет за затегнување и олабавување на завртки, како и за дупчење во дрво, керамика и пластика и за ударно дупчење на цигла.
- Овој алат не е наменет за професионална употреба.
- Внимателно прочитајте го и зачувајте го ова упатство за ракување. ③

## ТЕХНИЧКИ ПОДАТОЦИ ①

Максимален вртежен момент при послена примена како шрафцигер според ISO 5393: 55 Nm

## ЕЛЕМЕНТИ НА АЛАТОИ ②

- A** Прекинувач за вклучување/исклучување и контрола на брзината
- B** Прстен за контрола на вртежниот момент
- C** Позиција за ударно дупчење
- D** Позиција за дупчење
- E** Позиција за навртување
- F** Прекинувач за менување функција
- G** Прекинувач за избор на брзината
- H** Отвори за вентилација
- J** Прекинувач за менување на насоката на вртење
- K** РАБОТНА СВЕТИЛКА
- L** Глава за стегање
- M** Копче за индикаторот за нивото на батеријата
- N** Двострана бургја

## БЕЗБЕДНОСТ

## ОПШТИ ПРЕДУПРЕДУВАЊА ЗА БЕЗБЕДНОСТ НА ЕЛЕКТРИЧНИТЕ АЛАТИ

**⚠ ПРЕДУПРЕДУВАЊЕ** Прочитајте ги сите безбедносни предупредувања, упатства, слики и спецификации што се обезбедуваат со овој алат. Непочитувањето на сите упатства подолу може да доведе до електричен удар, пожар и/или сериозна повреда.

Чувајте ги сите предупредувања и упатства за понатамошно упатување.

Поимот „електричен алат“, кој се користи во предупредувањата, се однесува на вашиот електричен алат (со приклучен кабел) или на електричен алат со погон на батерии (без приклучен кабел).

### 1) БЕЗБЕДНОСТ НА РАБОТНОТО МЕСТО

- a) Одржувајте го работното место чисто и добро осветлено. Неуреден или темен работен простор може да предизвика незгоди.
- b) Немојте да работите со електрични алати во средини во кои има опасност од експлозија, како на пример во кои има запаливи течности, гасови или прашина. Електричните алати создаваат искри коишто може да запалат прашина или испарувања.
- c) Држете ги децата и другите лица подалечу додена ракувате со електричен алат. Може да изгубите контрола ако нешто ви го одзема вниманието.

### 2) ЕЛЕКТРИЧНА СИГУРНОСТ

- a) Приклучоците за електричниот алат мораат да одговараат на штенерот. Никогаш на никаков начин не го менувајте приклучокот. Не користете никакви адаптери за приклучоци со (заземјени) електрични алати. Немодифицираните приклучоци и соодветните штекери ќе ја намалат опасноста од струен удар.
- b) Избегнувајте допир на телото со заземјени површини, како што се цевки, радијатори, шпорети и фрижидери. Постои зголемена опасност од струен удар, доколку вашето тело е заземјено.
- c) Не ги изложувајте електричните алати на дожд или влага. Продирањето на вода во електричниот уред ќе ја зголеми опасноста од струен удар.
- d) Немојте да го злоупотребувате кабелот за напојување. Никогаш не го користете кабелот за напојување за носење, влечење или исклучување на електричниот алат. Чувајте го кабелот за напојување подалечу од топлина, масло, остри ивици или подвижни делови. Оштетените или заплетканите кабли за напојување ја зголемуваат опасноста од струен удар.
- e) Кога го употребувате електричниот алат надвор, користете продолжен кабел кој е соодветен за употреба на отворен простор. Користењето на кабел соодветен за работа на отворен простор ја намалува опасноста од струен удар.
- f) Доколку не може да се избегне работа со електричниот алат во влажна средина, користете заштитен уред што работи на резидуална струја

(RCD). Употребата на RCD ја намалува опасноста од струен удар.

### 3) ЛИЧНА ЗАШТИТА

- a) Бидете внимателни, внимавајте што правите и постапувајте разумно додена работите со електричниот алат. Никогаш не работете со електричен алат ако сте уморни или под влијание на дрога, алкохол или лекови. Момент на невнимание при работење со електрични алати може да доведе до сериозна лична повреда.
  - b) Носете лична заштитна опрема. Секогаш носете заштитни очила. Носењето на заштитна опрема, како што е маска за прашина, безбедносни обувки кои не се лизгаат, заштитен шлем или штитници за уши, употребени во соодветни услови, ја намалуваат опасноста од лични повреди.
  - c) Спречете случајно вклучување. Осигурете се дека прекинувачот е на позицијата off (исклучено) пред приклучувањето на изворот на напојување и/или батеријата, подигнувањето или носењето на алатот. Носењето на електричниот алат со вашиот прст на прекинувачот или вклучување на електрични алати со прекинувачот поставен на позиција on (приклучено) доведува до несреќи.
  - d) Пред вклучување на електричниот алат отстранете ги сите клучеви за подесување или алати за навртување. Алат или клуч што е оставен прикачен на ротациониот дел на уредот, може да доведе до лична повреда.
  - e) Не посегнувајте преку одредената граница. Цело време одржувајте правилен став и рамнотежа. На тој начин можете подобро да го контролирате електричниот алат во неочекувани ситуации.
  - f) Носете соодветна облека. Не носете широка облека или накит. Чувајте ги носата и облеката подалечу од подвижните делови. Широката облека, накитот или долгата коса може да се фатат во подвижните делови.
  - g) Доколку се обезбедени уреди за приклучување на апарати за вшмукување и собирање прашина, осигурете се дека тие се правилно приклучени и користени. Користењето на уреди за собирање прашина може да ги намали опасностите поврзани со прашината.
  - h) Не дозволувајте искуството стекнато со честата употреба на алатите да ве направи невнимателни и да ги игнорирате безбедносните принципи при нивното користење. Невнимателната активност може да предизвика сериозна повреда во дел од секунда.
- ### 4) УПОТРЕБА НА ЕЛЕКТРИЧНИ АЛАТИ И ГРИЖА ЗА НИВ
- a) Не преоптоварувајте го електричниот алат. Користете ја правилната електрична алатна наменета за вашата работа. Со соодветниот електричен алат ќе ја завршите работата подобро и побезбедно во однос на тоа за што е наменет.
  - b) Не користете го електричниот алат ако прекинувачот не може правилно да се вклучи и исклучи. Секој електричен алат кој не може да се контролира со помош на приклучок е опасен и мора да се поправи.

- c) **Исклучете го електричниот алат од струја и/или извадете го комплетот со батерии од електричниот алат, ако се одделува, пред да правите неканви прилагодувања, менувате дополнителна опрема или да ги складираате електричните алати.** Со овие превентивни безбедносни мерки се намалува опасноста од случајно вклучување на електричниот алат.
- d) **Складирајте ги електричните алати во мирување надвор од дофатот на деца и не им допуштајте работа со уредот на лица кои не се запознаени со него или кои го немаат прочитано ова упатство.** Електричните алати се опасни доколку со нив работат нестручни лица.
- e) **Одржувајте ги електричните алати и дополнителната опрема. Проверете дали има изместување или заглавување на подвижните делови, дали некои делови се скриени или се во некоја друга состојба што влијае врз работата на електричниот алат. Ако е оштетен, однесете го алатот на поправка пред да го користите.** Многу несреќи се случуваат заради неодржуван електричен алат.
- f) **Алатите за сечење одржувајте ги остри и чисти.** Внимателно одржуваните алати за сечење со остри ивици помалку ќе се заглавуваат и полесно се контролираат.
- g) **Електричниот алат, дополнителната опрема, работните алати итн., треба да ги користите според овие упатства, земајќи ги во предвид работните услови и работата која треба да се заврши.** Употребата на електричниот алат за работи што се поинакви од неговата намена може да доведе до опасна ситуација.
- h) **Одржувајте ги рачките и површините за фаќање суви, чисти и без масло и маст на нив.** Рачките и површините за држење што се лизгаат не овозможуваат безбедно ракување и контрола на алатот во неочекувани ситуации.
- 5) **КОРИСТЕЊЕ НА АЛАТ НА БАТЕРИИ И ГРИЖА ЗА НЕГО**
  - a) **Вршете полнење само со полначот што е пропишан од страна на производителот.** За полначот кој е соодветен за еден вид на батерии, постои опасност од пожар, доколку се употребува со други батерии.
  - b) **Користете ги електричните алати само со посебно назначени батерии.** Користењето на било кои други батерии може да доведе до опасност од повреда и пожар.
  - c) **Кога батериите не се користат, држете ги настрана од метални предмети како што се спајалници за хартија, парички, клучеви, илинци, навртки или други, мали метални предмети кои можат да спојат еден пол со друг.** Краткиот спој на половите на батериите може да предизвика изгореници или пожар.
  - d) **Во услови на злоупотреба може да дојде до исфрлање на течност од батеријата; избегнувајте контакт. Ако дојде до случаен контакт, измијте го местото со вода.** Ако течноста дојде во контакт со очите, дополнително побарајте и лекарсна помош. Течноста која истекнува од батеријата може

- да предизвика иритација или изгореници.
- e) **Не употребувајте комплет со батерии или алат којшто е оштетен или изменет.** Оштетените или изменетите батерии можат да реагираат непредвидливо и да предизвикаат пожар, експлозија или опасност од повреда.
- f) **Не изложувајте го комплетот со батерии или алатот на оган или висока температура.** Изложувањето на оган или температура над 130°C може да предизвика експлозија.
- g) **Следете ги сите упатства за полнење и не полнете го комплетот со батерии или алатот надвор од температуралниот опсег наведен во инструкциите.** Неправилното полнење или полнењето на температура што е надвор од наведениот опсег, може да ја оштети батеријата и да ја зголеми опасноста од пожар.
- 6) **СЕРВИСИРАЊЕ**
  - a) **Електричниот алат сервисирајте го најквалификувано лице кое користи само идентични резервни делови.** Со ова се обезбедува безбедно одржување на електричниот алат.
  - b) **Никогаш не поправајте ги оштетените комплети со батерии.** Поправката на комплетите со батерии треба да ја врши само производителот или некој овластен сервис.

## БЕЗБЕДНОСНИ УПАТСТВА ЗА БЕЗЖИЧНА ВИБРАЦИОНА ДУПЧАЛКА

- 1) **БЕЗБЕДНОСНО УПАТСТВО ЗА СИТЕ ОПЕРАЦИИ**
    - a) **Носете штитници за уши при ударно дупчење.** Изложеноста на бучава може да предизвика губење на слухот.
    - b) **Држете го електричниот апарат на изолираните површини за фаќање при изведување на операција наде додатонок за сечење или спојката може да контактираат со скриени жици.** Додатоците за сечење и деловите за прицврстување што ќе дојдат во контакт со жица под напон може да ги електрифицираат металните делови на алатот и да предизвикаат електричен удар на операторот.
  - 2) **УПАТСТВА ЗА БЕЗБЕДНОСТ КОГА УПОТРЕБУВАТЕ ДОЛГИ ДЕЛОВИ ЗА ДУПЧЕЊЕ**
    - a) **Никогаш не ракувајте со поголема брзина од максимално дозволената за делот за дупчење.** При повисоки брзини, делот може да се свитка ако се дозволи да ротира слободно без контакт со работното парче, што може да резултира со лична повреда.
    - b) **Секогаш започнете со дупчење при мала брзина и со делот за дупчење во контакт со работното парче.** При повисоки брзини, делот може да се свитка ако се дозволи да ротира слободно без контакт со работното парче, што може да резултира со лична повреда.
    - c) **Нанесете притисок само во директна линија со делот и не применувајте прекумерен притисок.** Деловите можат да се свиткаат, предизвикувајќи оштетување или губење на контрола, што може да резултира со лична повреда.
- ОПШТИ**
- Прашината од материјали како боја која содржи

олово, некои видови дрво, минерали и метали, може да биде штетна за здравјето (контактот со прашина или нејзиното вдишување може да предизвика алергиски реакции и/или болести на дишните органи за оној кој работи со алатот или луѓето во близина); **носете маска за прашина и работете со правосмукални доколку можете да ги поврзете**

- Некои видови на прашина се канцерогени (како на пример прашина од даб или бука), особено заедно со адитиви за одржување на дрвото; **носете маска за прашина и работете со правосмукални доколку можете да ги поврзете**
- Следете ги процедурите на вашата земја за прашина која се јавува како резултат од материјалите со кои работите
- **Не обработувајте никаков материјал кој содржи азбест** (азбестот важи за предизвикувач на рак)
- Уверете се дека прекинувачот J ② се наоѓа во средна позиција (заклучено) пред да почнете да ја подесувате или менувате дополнителната опрема и кога го носите или складираате алатот

#### ДОПОЛНИТЕЛНА ОПРЕМА

- SKIL може да признае гаранција само доколку е користен оригинален прибор
- Користете само прибор чија дозволена брзина е во најмала рака еднаква на најголемата брзина при празен од на електричниот алат

#### ПРЕД УПОТРЕБА

- Избегнувајте оштетувања од штрафови, шајки и други предмети во работното парче; тргнете ги пред да почнете со работа
- **Зацврстете го материјалот кој го обработувате** (обработка која е зацврстена со стеги или во менгема е побезбедна отколку да ја држите со раце)
- **Користете соодветни детектори за наоѓање на скриени инсталации или повинајте соодветна компанија за помош** (контактот со електричните линии може да доведе до струен удар; оштетувањата во гасоводна цевка може да резултира со експлозија; пенетрирање во водоводна инсталација може да доведе до оштета на предмети или електричен удар)

#### БАТЕРИИ

- **Обезбедената батерија, доколку ја има, е делумно наполнета** (за да се обезбеди целосен капацитет на батеријата, целосно наполнете ја батеријата во полначот на батеријата, пред за првпат да го употребите вашиот електричен алат)
- **Користете ги исклучиво следниве батерии и полначи со овој алат**
  - Батерија SKIL: BR1\*31\*\*\*\*
  - Полнач SKIL: CR1\*31\*\*\*\*
- Оштетената батерија не треба понатаму да се користи туку веднаш да се замени
- Не расклопувајте ја батеријата
- Никогаш не изложувајте ги на дожд алатот/батеријата
- Дозволена температура на околината (алатна/полнач/батерија):
  - при полнење 4...40°C
  - при работа -20...+50°C
  - при складирање -20...+50°C

#### ОБЈАСНУВАЊЕ НА СИМБОЛИТЕ ЗА АЛАТОТ/БАТЕРИЈАТА

- ③ Пред употреба прочитајте го прирачникот за употреба

- ④ Батериите може да експлодираат ако се изложат на оган, па затоа никако не палете ја батеријата
- ⑤ Секогаш чувајте ги алатот/полначот/батеријата на места со температура пониска од 50°C
- ⑥ Не фрлајте ги електричните алати и батериите заедно со домашниот отпад

#### УПОТРЕБА

- Комбиниран прекинувач за вклучување/исклучување и за контрола на брзината A ②
  - брзината се контролира на степени од нула до максимум со применување помалку или повеќе сила врз активаторот
- Полнење на батеријата
  - ! прочитајте ги безбедносните предупредувања и упатствата дадени со полначот
- Вадење/ставање на батеријата ②
- Индикатор за нивото на батеријата ⑦
  - притиснете го копчето M за индикаторот за нивото на батеријата, за да се прикаже моменталното ниво на батеријата ⑦a
  - ! ако по притискање на копчето M ⑦b индикаторот за најниско ниво на батеријата почне да трепка, тогаш батеријата е празна
  - ! кога ќе почнат да трепкаат 2 нивоа на индикаторот за батеријата по притискање на копчето M ⑦c, тогаш батеријата не е во рамките на дозволиениот опсег за работна температура
- Промена на насоката на ротација ⑧
  - ако не е правилно поставен во лева/десна позиција, прекинувачот A ② нема да може да стартува
  - ! менувајте ја насоката на ротацијата само кога алатот се наоѓа во целосно мирување
- Замена на делови ⑨
  - ! не употребувајте делови со оштетена дршка
- Контрола на вртежниот момент (VariTorque) ⑩
  - излезниот обрт ќе се зголемува ако прстенот на спојката B се врти од 1 до 17
  - при завртување на некоја завртка најпрво започнете со положбата 1 (VariTorque) и потоа полека зголемувајте до достигнување на саканата длабочина
  - позицијата D ќе ја заклучи спојката за да овозможи дупчење (без удари) или за извршување тешки работи
  - позицијата C ќе ја заклучи спојката за да овозможи само ударно дупчење
  - ! проверете дали прекинувачот за избор на брзината G е во позиција 2 кога селекторот на функции F е во позиција за ударно дупчење
  - ! не користете ја позицијата за ударно дупчење C за дупчење дрво, метал, керамика и пластика за да спречите оштетување на бургијата/навртката
- Механичко бирање на брзини ⑪
  - поставете го селекторот G на саканата брзина
  - ! вклучете го прекинувачот за избор на брзината додека алатот работи бавно
- 1
  - пониска брзина
  - голем момент на вртење
  - за завртување и дупчење на отвори со голем

дијаметар

- за вибрациски навој

2

- повисока брзина

- низок момент на вртење

- за вибрациско дупчење

- за дупчење отвори со мал дијаметар

#### • РАБОТНА СВЕТИЛКА К ⑫

- РАБОТНАТА СВЕТИЛКА К ќе светне кога ќе се вклучи алатката.

**! кога започнува да трепна РАБОТНАТА СВЕТИЛКА се активира заштитата на батеријата (види подолу)**

#### • Заштита на батеријата

Алатот наеднаш се исклучува или не може да се вклучи, кога

- **оптоварувањето е преголемо** -> отстранете го оптоварувањето и почнете повторно

- **температурата на батеријата не е во рамките на дозволеениот опсег на работна температура од -20 до +50°C** --> 2 нивоа на индикаторот за ниво на батеријата почнуваат да трепкаат кога ќе го притиснете копчето M ⑦c; почекајте батеријата да се врати во рамките на дозволеениот опсег на работна температура

- **батеријата е скоро празна (заштита од целосно празнење)** --> на индикаторот за нивото на батеријата ќе се прикаже ниско ниво на батеријата или ќе трепка за ниско ниво на батеријата ⑦b кога ќе притиснете на копчето M; наполнете ја батеријата

**! не продолжувајте да притискате на прекинувачот за вклучување/исклучување откако алатот автоматски ќе се исклучи; батеријата може да се оштети**

#### • Држење и насочување на алатот ⑬

**! додена работите, сегодаш држете го алатот за местото (местата) кое (кои) се означени со сива боја**

- отворите за вентилација H ② држете ги отворени  
- не притискајте премногу со алатот; дозволете го сам да работи

## СОВЕТИ ЗА ПРИМЕНА

#### • Користете соодветни делови ⑭

**! употребувајте само остри делови**

#### • При дупчење во метал

- најпрво издупчете помала дупка, кога сакате да издупчите поголема дупка

- бургијата подмачкувајте ја со масло од време на време

#### • При навртување на штрафовите на краевите на дрвото, прво треба да се издупчи мала дупка за да се избегне разлитување на дрвото

#### • За оптимална употреба на апаратот потребен е постојан притисок на шрафот, особено во текот на одвртувањето

#### • При завртување на завртката во тврдо дрво претходно треба да се издупчи дупка

#### • Дупчење на дрво без разлитување ⑮

#### • Дупчење на сидови без прашина ⑯

#### • Дупчење на таван без прашина ⑰

#### • Дупчење на плочки без лизгање ⑱

• За повеќе информации видете на [www.skil.com](http://www.skil.com)

## ОДРЖУВАЊЕ/СЕРВИСИРАЊЕ

• Овој алат не е наменет за професионална употреба  
• Алатот сегодаш да се одржува чист (особено отворите за ладење H ②)

**! отстранете ја батеријата од алатот пред чистење**

• Доколку алатот и покрај внимателното работење и контрола некогаш откаже, поправката мора да ја изврши некој овластен SKIL сервис за електрични алати

- испратете го алатот нерасклопен, заедно со сметкопотврдата, до вашиот продавач или најблискиот овластен SKIL сервис (адресите и сервисниот дијаграм за алатот се наведени на [www.skil.com](http://www.skil.com))

• Имајте предвид дека оштетувањето настанато заради преоптоварување или неправилно ракување со алатот не е опфатено со гаранцијата (видете на [www.skil.com](http://www.skil.com) или прашајте го продавачот за условите на гаранцијата на SKIL)

## ЗАШТИТА НА ЖИВОТНАТА СРЕДИНА

• **Не фрлајте електрични алати, батерии, дополнителна опрема и амбалажа заедно со домашниот отпад** (само за земјите на ЕУ)

- поред Европската Директива 2012/19/ЕЗ за ослободување од електрична и електронска опрема и нејзина имплементација во согласност со националните закони, електричните алати кои го достигнале крајот на својот животен век мора да бидат собрани посебно и да бидат вратени во објект за рециклирање кој е компатибилен со животната средина

- симболот ⑥ ќе ве потсети на тоа, кога ќе дојде време да го отстраните

**! пред да се фрли батерија во отпад, заштитите ги нејзините полови со дебела лента за да се спречи краток спој**

## БУЧАВА / ВИБРАЦИИ

• Измерено во согласност со EN 62841, нивото на звучен притисок на овој алат е 90 dB(A) и нивото на звучна моќност е 98 dB(A) (несигурност K = 5 dB), и вибрацијата \* (триакс векторна сума; несигурност K = 1.5 m/c²)

\* при дупчење во метал 12.41 m/c²

\* при ударно дупчење во бетон 14.49 m/c²

• Нивото на емитување на вибрации кое е наведено на задниот дел на ова упатство е измерено во согласност со стандардизираниот тест даден во EN 62841; може да се користи за да се спореди еден алат со друг, и како првична оценка за изложеноста на вибрации кога се користи алатот за споменатите примени

- користењето на алатот за разни примени, или со различна или неправилно чувана дополнителна опрема, може да доведе до значајно **зголемување** на нивото на изложеност

- кога алатот е исклучен или кога алатот е вклучен но не врши некаква работа, може да дојде до

значително намалување на нивото на изложеност  
**!** заштитете се од ефентите на вибрациите преку одржување на алатот и неговата дополнителна опрема, одржување на топлината на вашите раце, и организирање на вашата работа

AL

## Trapan me goditje pa karbonçina

3021

### HYRJE

- Ky mjet është bërë për të shtrënguar dhe liruar vida, si edhe për të shpuar në dru, qeramikë dhe plastikë dhe për shpim me goditje në tulla.
- Ky mjet nuk është bërë për përdorim profesional.
- Lexojeni dhe ruajeni këtë manual përdorimi. ③

### TË DHËNAT TEKNIKE ①

Forca maksimale e rrotullimit për veprime vidhosjeje të forta sipas ISO 5393: 55 Nm

### ELEMENTET E PAJISJES ②

- A Çelësi për ndezje/fikje dhe kontrolli i shpejtësisë
- B Unaza për kontrollin e forcës së rrotullimit
- C Pozicioni i shpimit me goditje
- D Pozicioni i shpimit
- E Pozicioni i kaçavidës
- F Çelës për ndryshimin e funksionit
- G Zgjedhja e marsheve
- H Të çarat e ajrosjes
- J Çelësi për ndryshimin e drejtimit ose të rrotullimit
- K DRITA E PUNËS
- L Mandrina
- M Butoni tregues i nivelit të baterisë
- N Punto me dy maja

### SIGURIA

#### PARALAJMËRIME TË PËRGJITHSHME TË SIGURISË PËR PAJISJET ELEKTRIKE

**!** PARALAJMËRIM Lexoni të gjitha paralajmërimet e sigurisë, udhëzimet, ilustrimet dhe specifikimet e paraqitura me këtë vegël pune. Mosrespektimi i të gjitha udhëzimeve të renditura më poshtë mund të rezultojë në goditje elektrike, zjarr dhe/ose dëmtime të rënda.

**Ruani të gjitha paralajmërimet dhe udhëzimet për referencë në të ardhmen.**

Termi "pajisje elektrike" në paralajmërimi i referohet pajisjes elektrike që përdoret nga priza (me kablo) ose pajisjes elektrike me bateri (pa kablo).

#### 1) SIGURIA E ZONËS SË PUNËS

- a) Mbajeni zonën e punës të pastër dhe të ndriçuar mirë. Zonat e çrregullta ose të errëta janë një ftesë për aksidente.
- b) Mos i përdorni pajisjet elektrike në situata me

mundësi shpërthimi, si në prani të lëngjeve, gazeve ose pluhurave të djegshëm. Pajisjet elektrike shkaktojnë shkëndija që mund të ndezin pluhurat ose avujt.

- c) Mbajni fëmijët dhe personat e tjerë larg gjatë përdorimit të veglës së punës. Tërheqja e vëmendjes mund të shkaktojë humbjen e kontrollit.
- 2) SIGURIA ELEKTRIKE
  - a) Spinat e veglës së punës duhet të përputhen me prizën. Mos modifikoni kurrë spinën në asnjë mënyrë. Mos përdorni asnjë spinë përshtatëse me veglat e punës me tokëzim. Spinat e pamodifikuara dhe prizat përshtatëse do të zvogëlojnë rrezikun e goditjes elektrike.
  - b) Shmangni kontaktin trupor me sipërfaqe të tokëzuara si tuba, radiatorë, soba dhe frigoriferë. Ka një rrezik më të madh të goditjeve elektrike nëse trupi është i tokëzuar.
  - c) Mos ekspozoni veglat e punës në shi ose në kushte me lagështi. Uji që hyn në veglën e punës do të rritë rrezikun e goditjes elektrike.
  - d) Mos abuzoni me kordonin. Mos e përdorni kurrë kordonin për transportin, tërheqjen ose heqjen e spinës së veglës së punës. Mbajeni kordonin larg nga nxehtësia, vaji, anët e mprehta ose pjesët që lëvizin. Kordonët e dëmtuar ose e bllokuar rrisin rrezikun e goditjes elektrike.
  - e) Kur përdorni një vegël pune në mjedise të jashtme, përdorni një kordon zgjatues të përshtatshëm për përdorim në mjedise të jashtme. Përdorimi i një kordoni të përshtatshëm për përdorime në mjedise të jashtme zvogëlon rrezikun e goditjes elektrike.
  - f) Nëse është e pashmangshme përdorimi i një mjeti me korrent në një vend me lagështi, përdorni një pajisje mbrojtëse nga rrymat (RCD). Përdorimi i një RCD pakëson rrezikun e goditjeve elektrike.
- 3) SIGURIA PERSONALE
  - a) Qëndroni në gatishmëri, shikoni se çfarë po bëni dhe përdorni gjykimin kur përdorni një vegël pune. Mos e përdorni një vegël pune kur jeni i lodhur ose nën ndikimin e ilaçeve, alkoolit ose mjekimit. Një moment humbje e vëmendjes gjatë përdorimit të veglave të punës mund të shkaktojë dëmtime të rënda personale.
  - b) Përdorni pajisje personale mbrojtëse. Mbani gjithmonë pajisje për mbrojtjen e syve. Pajisjet mbrojtëse, si maska kundër pluhurit, këpucët që nuk rrëshqasin, kaskat ose pajisjet për mbrojtjen e veshëve për kushtet përkatëse do të zvogëlojnë dëmtimet personale.
  - c) Parandaloni ndezjen e rastësishme. Sigurohuni që çelësi është në pozicionin fikur para se të lidhni burimin e energjisë dhe/ose baterinë, para se të merrni ose të transportoni pajisjen. Transportimi i veglave të punës me gishtin në çelës ose aktivizimi i veglave të punës që kanë çelësin të ndezur është një ftesë për aksidente.
  - d) Hiqni çdo çelës ose çelës përshtatës para ndezjes së veglës së punës. Një çelës i lënë i lidhur me një pjesë rrotulluese të veglës së punës mund të shkaktojë dëmtime personale.
  - e) Mos u zgjasni. Mbani një vendosje të mirë të këmbëve dhe një ekuilibër të mirë në çdo moment. Kjo gjë bën të mundur një kontroll më të mirë të veglës së



punës në situata të papritura.

- f) **Vishuni në mënyrën e duhur. Mos vishni rroba të gjera ose bizhuteri. Mbajini flokët dhe rrobat larg nga pjesët e lëvizshme.** Rrobat e gjera, bizhuteritë ose flokët e gjata mund të kapen te pjesët e lëvizshme.
- g) **Nëse janë ofruar pajisje për lidhjen e pajisjeve të mbledhjes dhe nxjerrjes së pluhurave, sigurohuni që ato të jenë të lidhura dhe të përdoren si duhet.** Përdorimi i mbledhjes së pluhurave mund të zvogëlojë rreziqet në lidhje me pluhurat.
- h) **Mos lejoni që familjarizimi i fituar nga përdorimi i shpeshtë i veglave t'ju bëjë të ndiheni tepër të sigurt në vetvete dhe të shpërfillni parimet e sigurisë për pajisjet.** Një veprim i pakujdesshëm mund të shkaktojë dëmtime të rënda në më pak se një sekondë.
- 4) PËRDORIMI DHE KUJDESI PËR VEGLËN E PUNËS**
- a) **Mos ushtroni forcë mbi veglën e punës.** Përdorni veglën e punës të duhur për përdorimin tuaj. Vegla e punës e duhur do të realizojë një punë më të mirë dhe më të sigurt dhe me shpejtësinë që ajo është e projektuar.
- b) **Mos përdorni veglën e punës nëse çelësi nuk e ndez apo e fik.** Çdo vegël pune që nuk mund të kontrollohet me anë të çelësit është e rrezikshme dhe duhet të riparohet.
- c) **Shkëputeni spinën nga burimi i energjisë dhe/ose hiqeni paketën e baterisë, nëse është e mundur, nga mjeti me korrent para se të bëni rregullime, ndryshoni aksesorët ose vendosni mjetet me korrent.** Këto masa parandaluese të sigurisë ulin rrezikun e ndezjes aksidentale të veglës së punës.
- d) **Mbani veglat e punës larg fëmijëve dhe mos lejoni personat e pamësuar me veglën e punës ose këto udhëzime për përdorimin e pajisjes.** Veglat e punës janë të rrezikshme në duart e përdoruesve të patrajnuar.
- e) **Mirëmbajini veglat me korrent dhe aksesorët.** Kontrolloni për mospërshatje ose bllokim të pjesëve lëvizëse, thyerje të pjesëve dhe gjendje të tjera që mund të ndikojnë në funksionimin e veglës së punës. Nëse dëmtohet, riparoheni veglën e punës para përdorimit. Shumë aksidente shkaktohen nga veglat e punës jo të mirëmbajtura si duhet.
- f) **Mbajini pajisjet prerëse të pastra dhe të mprehta.** Pajisjet e prerjes të mirëmbajtura dhe me anë të mprehta kanë më pak mundësi për t'u bllokuar dhe janë më të lehta për t'u kontrolluar.
- g) **Përdorni veglat e punës, aksesorët dhe puntot, etj. në përputhje me këto udhëzime, duke marrë parasysh kushtet e punës dhe punën që do të kryhet.** Përdorimi i veglave për përdorime të ndryshme nga ato të përcaktuara mund të shkaktojë rreziqe.
- h) **Mbajini dorezat dhe sipërfaqet ku mbaheni të thata, të pastra dhe pa vajra ose graso.** Dorezat dhe sipërfaqet ku mbaheni, kur janë të rrëshqitshme, nuk ju lejojnë ta menaxhoni dhe ta kontrolloni në mënyrë të sigurt pajisjen në situata të papritura.
- 5) PËRDORIMI DHE KUJDESI PËR VEGLËN ME BATERI**
- a) **Karikojeni vetëm me karikuesin e specifikuar nga prodhuesi.** Një karikues që është i përshtatshëm për një lloj baterie mund të krijojë rrezik për zjarr kur përdoret me një bateri tjetër.
- b) **Përdorni vetëm mjetet me bateri që kanë bateri të krijuara në mënyrë të posaçme për to.** Përdorimi i çdo

baterie tjetër mund të krijojë rrezik për dëmtime dhe zjarr.

- c) **Kur bateria nuk është në përdorim, mbajeni larg nga objektet e tjera metalike si kapëset e letrës, monedhat, çelësat, gozhdët, vidat ose objektet e tjera të vogla metalike që mund të bëjnë lidhjen e një terminali me terminalin tjetër.** Bashkimi i terminalëve së bashku mund të shkaktojë djegie ose zjarr.
- d) **Nëse kushtet janë të papërshtatshme, nga bateria mund të dalin lëngje; shmangni kontaktin. Nëse kontakti ndodh padashur, shpëlajeni me ujë. Nëse lëngu ju bie në kontakt me sytë, kërkoni ndihmë mjekësore.** Lëngu që del nga bateria mund të shkaktojë iritrim ose djegie.
- e) **Mos përdorni bateri ose mjete që janë dëmtuar ose modifikuar.** Bateritë e dëmtuara ose të modifikuara mund të shfaqin sjellje të paparashikuara, duke shkaktuar zjarr, shpërthim ose rrezik për lëndimin tuaj.
- f) **Mos e ekspozoni një pako baterish ose një vegël ndaj zjarrit ose temperaturës shumë të lartë.** Ekspozimi ndaj zjarrit ose një temperature mbi 130°C mund të shkaktojë shpërthim.
- g) **Ndëqni të gjitha udhëzimet për karikimin dhe mos e karikoni baterinë ose veglën jashtë gamës së temperaturës që specifikohet tek udhëzimet.** Karikimi i papërshtatshëm ose në temperatura jashtë gamës së specifikuar mund të dëmtojë baterinë dhe të rritë rrezikun për zjarr.
- 6) SHËRBIMI**
- a) **Shërbimi i veglës së punës duhet të kryhet nga një person i kualifikuar për riparimet duke përdorur vetëm pjesë ndërrimi identike.** Kjo gjë do të sigurojë ruajtjen e sigurisë së veglave të punës.
- b) **Mos u mundoni asnjëherë t'i riparoni bateritë e dëmtuara.** Riparimi i baterive duhet të kryhet vetëm nga prodhuesi ose ofruesit e autorizuar të shërbimit.

## UDHËZIMET E SIGURISË PËR TRAPANIN ME BATERI

### 1) UDHËZIMET E SIGURISË PËR TË GJITHA VEPRIMET

- a) **Vishni mbrojtëse veshësh kur bëni shpim me goditje.** Ekspozimi ndaj zhurmës mund të shkaktojë humbje dëgjimi.
- b) **Mbajeni mjetin e punës duke kapur sipërfaqet e kapjes kur bëni një punë aty ku aksesori i prerjes ose shtrënguesi mund të kontaktojë me kabllot të fshehur.** Aksesori i prerjes dhe shtrënguesit që kontaktojnë një tel me korrent mund të ekspozojnë pjesët metalike të mjetit në korrent dhe t'i japin përdoruesit një goditje elektrike.

### 2) UDHËZIMET E SIGURISË KUR PËRDORNI PUNTO TË GJATA

- a) **Asnjëherë mos e përdorni në shpejtësi më të madhe se shpejtësia maksimale e lejuar e puntos.** Në shpejtësi më të larta, ka të ngjarë që puntot të përkulet nëse lihet të rrotullohet lirshëm pa pasur kontakt me sipërfaqen e punës, duke shkaktuar kështu lëndime.
- b) **Gjithmonë filloni të shponi në shpejtësi të ulët me majën e puntos në kontakt me sipërfaqen e punës.** Në shpejtësi më të larta, ka të ngjarë që puntot të përkulet nëse lihet të rrotullohet lirshëm pa pasur kontakt me sipërfaqen e punës, duke shkaktuar kështu lëndime.
- c) **Ushtroni presion vetëm në vijë direkte me puntion**

dhe mos ushtroni presion të tepërt. Puntot mund të përkulen duke shkaktuar thyerje ose humbje të kontrollit dhe duke shkaktuar kështu lëndime.

#### TË PËRGJITHSHME

- Pluhurat nga materialet si boja me plumb, disa lloje drurësh, mineralesh dhe metalesh mund të jenë të dëmshme (kontakti ose thithja e pluhurave mund të shkaktojë reagime alergjike dhe/ose sëmundje respiratore për përdoruesin ose personat përreth); **mbani një maskë për pluhurat dhe punoni me një pajisje për heqjen e pluhurave kur mund të lidhet**
- Disa lloje pluhurash janë klasifikuar si kancerogjene (si pluhuri i lisit dhe i ahut) veçanërisht në ndërthurje me lëndët shtesë për kondicionimin e drurit; **mbani një maskë për pluhurat dhe punoni me një pajisje për heqjen e pluhurave kur mund të lidhet**
- Respektoni kërkesat kombëtare në lidhje me pluhurat për materialet me të cilat dëshironi të punoni
- **Mos punoni me materiale që përmbajnë asbest** (asbesti konsiderohet kancerogjen)
- Sigurohuni që çelësi J<sup>2</sup> të jetë në pozicionin e mesit (bllokues) para se të bëni ndonjë rregullim ose të ndërroni aksesorët, si dhe kur transportoni ose magazinoni veglën

#### AKSESORËT

- SKIL mund të garantojë funksionimin pa probleme të vegjël vetëm kur përdoren aksesorët origjinalë
- Përdorni vetëm aksesorë me një shpejtësi të lejuar që përshatet të paktën me shpejtësinë më të lartë pa ngarkesë të pajisjes

#### PARA PËRDORIMIT

- Shmangni dëmtimet që mund të shkaktohen nga vidat, gozhdët dhe elementet e tjera në materialin e punës; hiqni ato para se të filloni punën
- **Sigurori materialin e punës** (një material i shtrënguar me një pajisje shtrëngimi ose morsë mbahet në mënyrë më të sigurt se sa me dorë)
- **Përdorni detektorë përkatës për të gjetur linjat e fshehura të shërbimit ose telefononi kompaninë lokale të shërbimeve për ndihmë** (kontakti me linjat elektrike mund të shkaktojë zjarr ose goditje elektrike; dëmtimi i një linje gazi mund të shkaktojë një shpërthim; shpimi i një tubi uji do të shkaktojë dëmtim të pronës ose një goditje elektrike)

#### BATERITË

- **Nëse përfshihet bateria, ajo jepet e karikuar pjesërisht** (për të siguruar kapacitet të plotë të baterisë, karikojeni baterinë plotësisht në karikuesin e baterisë para se ta përdorni mjetin për herë të parë)
- **Përdorni vetëm bateritë dhe karikuesit e mëposhtëm me këtë mjet**
  - Bateri SKIL: BR1\*31\*\*\*\*
  - Karikues SKIL: CR1\*31\*\*\*\*
- Mos e përdorni baterinë nëse është e dëmtuar; ajo duhet të zëvendësohet menjëherë
- Mos e çmontoni baterinë
- Mos e ekspozoni mjetin/baterinë në shi
- Lejohet temperatura e ambientit (vegël/karikuesin/bateri):
- kur karikoni 4...40°C
- gjatë punës -20...+50°C
- gjatë magazinimit -20...+50°C

#### SHPJEGIMI I SIMBOLEVE NË VEGËL/BATERI

- ③ Lexoni manualin e udhëzimeve para përdorimit
- ④ Bateritë mund të shpërthejnë kur hidhen në zjarr, prandaj mos i digjini bateritë për asnjë arsye

- ⑤ Ruajeni veglën/karikuesin/baterinë në vende ku temperatura nuk i kalon 50°C
- ⑥ Mos i hidhni veglat elektrike dhe bateritë së bashku me mbeturinat shtëpiake

## PËRDORIMI

- Çelësi i kombinuar për ndezje/fikje dhe kontrolli i shpejtësisë A ②
  - kontrolloni shpejtësinë në shkallë nga zero në maksimum duke ushtruar më pak ose më shumë tryzni mbi çelës
- Karikimi i baterisë
  - ! **Lexoni paralajmërimet dhe udhëzimet e sigurisë të dhëna me karikuesin**
- Heqja/instalimi i baterisë ②
- Treguesi i nivelit të baterisë ⑦
  - Shtypni butonin tregues të nivelit të baterisë M për të shfaqur nivelin aktual të baterisë ⑦a
  - ! **kur fillon të pulsojë niveli më i ulët i treguesit të baterisë pasi keni shtypur M ⑦b, bateria është bosh**
  - ! **kur 2 nivelet e treguesit të baterisë fillojnë të pulsojnë pasi keni shtypur butonin M ⑦c, bateria nuk është brenda temperaturës së lejuar**
- Ndryshimi i drejtim të rrotullimit ⑧
  - kur është vendosur si duhet në pozicionin majtas/djathtas, çelësi A ② nuk mund të aktivizohet
  - ! **ndryshoni drejtimin e rrotullimit vetëm kur pajisja të jetë plotësisht e ndaluar**
- Ndërrimi i puntovë ⑨
  - ! **mos i përdorni puntot me një bosht rrotullues të dëmtuar**
- Kontrolli i forcës rrotulluese (VariTorque) ⑩
  - forca rrotulluese rezultative do të rritet kur unaza e freksionit B rrotullohet nga 1 në 17
  - kur vidhosni një vidë, në fillim provoni pozicionin VariTorque 1 dhe ritëni deri sa të arrini thellësinë e dëshiruar
  - pozicioni D do të bllokoi freksionin për të lejuar shpimin (jo me goditje) ose punime të rënda për vidhosje
  - pozicioni C do të bllokoi freksionin për të lejuar vetëm shpimin me goditje
  - ! **sigurohuni që çelësi i zgjedhjes së marshit G është në pozicionin 2 kur unaza e freksionit F është në pozicionin e shpimit me goditje**
  - ! **mos përdorni pozicionin e shpimit me goditje C për të shpuar në dru, metale, qeramikë dhe plastikë për të parandaluar dëmtimin e trapanit/puntos së vidhosjes**
- Zgjedhja e marshit mekanik ⑪
  - vendosni çelësin e përzgjedhjes G në shpejtësinë e kërkuar
  - ! **aktivizoni zgjedhjen e marshit kur pajisja të jetë duke punuar ngadalë**
- 1
  - shpejtësi e ulët
  - forca e rrotullimit e lartë
  - për vidhosje dhe shpime në diametra të mëdhenj
  - për filetim femër
- 2
  - shpejtësi e madhe
  - forca e rrotullimit e ulët

- për shpimin me goditje
- për shpime me diametër të vogël
- DRITA E PUNËS K <sup>12</sup>
- DRITA E PUNËS K do ndriçon kur ndizet mjete.
- ! kur DRITA E PUNËS fillon të pulsojë, kjo do të thotë se është aktivizuar mbrojtja e baterisë (shiko më poshtë)**
- Mbrojtja e baterisë
- Mjeti fiket papritur ose nuk ndizet kur
- **ngarkesa është tepër e lartë** --> hiqeni ngarkesën dhe ndizen përsëri
- **temperatura e baterisë nuk është brenda nivelit të lejuar të temperaturës prej -20 deri në +50°**
- > 2 nivelet e treguesit të nivelit të baterisë fillojnë të pulsojnë kur shtypni butonin M <sup>7</sup> c; prisni derisa bateria të jetë brenda temperaturës së lejuar
- **bateria është thuhajse bosh (për t'u mbrojtur nga dëmtimi për shkak të shkarkimit të thellë)** --> niveli i ulët i baterisë ose pulsimi për shkak të nivelit të ulët të baterisë <sup>7</sup> b tregohet në treguesin e nivelit të baterisë kur shtypni butonin M; karikoni baterinë
- ! mos vazhdoni të shtypni çelësin e ndezjes/fikjes pasi pajisja të fiket automatikisht; bateria mund të dëmtohet**
- Mbatja dhe drejtimi i veglës <sup>13</sup>
- ! gjatë punës, mbajeni gjithmonë veglën në zonën(at) e dorezës me ngjyrë gri**
- mbajini hapësirat e ajrimit H <sup>2</sup> të pambuluara
- mos ushtroni shumë tryzni mbi pajisje; lëreni pajisjen që të punojë për ju

## KËSHILLË PËR PËRDORIMIN

- Përdorni puntot e duhura <sup>14</sup>
- ! përdorni vetëm punto të mprehta**
- Kur shpioni metale hekuri
- shpioni paraprakisht një vrimë të vogël, kur kërkohet një vrimë e madhe
- lubrifikoni herë pas here me vaj puntun e shpimit
- Kur vidhosni një vidë/pranë skajit të prerjes kryq ose një skaj të drurit, shpioni paraprakisht një vrimë për të shmangur krisjen e drurit
- Për një përdorim optimal të veglës kërkohet një presion i qëndrueshëm mbi vidë, veçanërisht kur ta hiqni
- Kur vidhosni në dru të fortë, duhet të shpioni paraprakisht një vrimë
- Shpimi pa ashkla në dru <sup>15</sup>
- Shpimi pa pluhura në mure <sup>16</sup>
- Shpimi pa pluhura në tavane <sup>17</sup>
- Shpimi në pllaka pa rrëshqitur <sup>18</sup>
- Për më shumë informacion, shikoni [www.skil.com](http://www.skil.com)

## MIRËMBAJTJA / SHËRBIMI

- Ky mjet nuk është bërë për përdorim profesional
- Mbajeni gjithmonë veglën dhe kordonin të pastër (veçanërisht hapësirat e ajrimit H <sup>2</sup>)
- ! hiqeni baterinë nga mjete para se ta pastroni**
- Nëse pajisja ka defekt pavarësisht kujdesit në prodhim dhe procedurat e provave, riparimi duhet të kryhet nga një qendër e shërbimit pas shitjes për veglat e punës të SKIL
- dërgoni veglën të çmontuar së bashku me vërtetimin e bërjes te shitësi ose te qendra më e afërt e shërbimit të SKIL (adresat si dhe diagrami i shërbimit i veglës janë

të paraqitura në [www.skil.com](http://www.skil.com))

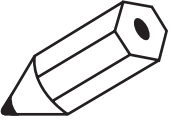
- Kini parasysh se dëmtimet për shkak të mbingarkesës ose manovrimit të papërshtatshëm të veglës janë të përjashtuara nga garancia (për kushtet e garancisë së SKIL vizitoni [www.skil.com](http://www.skil.com) ose pyetni shitësin tuaj)

## MJEDISI

- **Mos i hidhni veglat elektrike, bateritë, aksesorët dhe paketimin së bashku me materialet e mbeturinave familjare** (vetëm për vendet e BE-së)
- në respektim të Direktivës evropiane 2012/19/EC për pajisjet elektrike dhe elektronike si mbetje dhe zbatimin e saj në përputhje me ligjet kombëtare, pajisjet elektrike që kanë arritur në fund të jetëgjatësisë së tyre duhet të mblihdhen të ndara dhe të kthehen në një objekt riciklimi në përputhje me mjedisin.
- simboli <sup>6</sup> do t'ju kujtojë për këtë gjë kur të jetë nevoja për t'i hedhur
- ! para hedhjes mbroni terminalat e baterisë me ngjytës të fortë për të parandaluar qarkun e shkurtër**

## ZHURMA / VIBRIMI

- I matur sipas EN 62841, niveli i presionit të zhurmës së këtij mjeti është 90 dB(A) dhe niveli i fuqisë së zhurmës është 98 dB(A) (toleranca K = 5 dB), dhe dridhja \* (shuma e vektorit triax; toleranca K = 1.5 m/s<sup>2</sup>)
- \* kur shpioni në metal 12.41 m/s<sup>2</sup>
- \* gjatë shpimit me goditje në beton 14.49 m/s<sup>2</sup>
- Niveli i emetimit të vibrimit është matur në përputhje me një provë të standardizuar të dhënë në EN 62841; ajo mund të përdoret për të krahasuar një vegël me një tjetër dhe si një vlerësim paraprak i ekspozimit ndaj vibrimit kur përdorni pajisjen për proceset e përmendura
- përdorimi i pajisjes për procese të ndryshme, ose me aksesorë të ndryshëm dhe të mirëmbajtur keq, mund të **rritë** ndjeshëm nivelin e ekspozimit
- kohët kur pajisja është e fikur dhe kur është e ndezur por jo në punë, mund të **zvogëlojnë** ndjeshëm nivelin e ekspozimit
- ! mbroni veten nga efektet e vibrimit duke mirëmbajtur pajisjen dhe aksesorët e saj, duke i mbajtur duart e ngrohata dhe duke organizuar mënyrën tuaj të punës**



A series of horizontal lines for writing, consisting of 20 evenly spaced lines that span the width of the page, starting from the line immediately below the pencil.



- گشتاور بالا

- برای سفت و باز کردن پیچ و سوراخ کاری قطر زیاد  
- برای دنده زدن

①

- دور بالا

- گشتاور کم

- برای مته کاری ضربه ای

- برای سوراخ کاری قطر کوچک

WORKLIGHT K

⑫

- وقتی دستگاه روشن می‌شود. چراغ کار K روشن می‌شود.

! اگر سیستم محافظت باتری فعال نشده باشد. THGILKROW شروع به

چشمک زدن می‌کند (بخش زیر را ملاحظه کنید)

- محافظت باتری

- ابزار در شرایط زیر ناگهان خاموش شده و یا روشن نمی‌شود

- بار وارده بیش از حد مجاز است <- بار را بردارید و دستگاه را مجدداً راه‌اندازی کنید

- دمای باتری در محدوده دمای کاری مجاز ۲۰- تا ۵۰+ درجه سانتی‌گراد نیست <-

- سطح از نشانگر شارژ باتری هنگام فشار دادن دکمه MVC شروع به چشمک

زدن می‌کند. صبر کنید تا باتری به محدوده دمای کاری مجاز بازگردد

- باتری عملاً تخلیه شده است (برای محافظت در برابر تخلیه عمیق) <- یک

سطح باتری ضعیف یا سطح باتری ضعیف (Vb چشمک‌زن در صورت فشار

دادن دکمه M روی نشانگر سطح باتری دیده خواهد شد: باتری را شارژ کنید

! بعد از خاموش شدن خودکار ابزار کلید روشن/خاموش را مرتب فشار

ندیدید: امکان دارد باتری آسیب ببیند

- نگهداشتن و هدایت ابزار ⑬

! هنگام کار باید همیشه ابزار را از جا‌های) دست خاکستری رنگ بگیرید

- شیارهای تهویه H ① را مسدود نکنید

- فشار بیش از حد به ابزار وارد نکنید: بگذارید ابزار به جای شما کار کند

## توصیه‌های کاربردی

- از سرمته‌های مناسب استفاده کنید ⑭

! فقط از سرمته‌های تیز استفاده کنید

- برای مته کنه فلزات آهنی

- خاروس کنی ادتبا. دین‌ک داچ‌آی گریزبر خاروس دی‌واخ یم رگا

- دین‌ک داچ‌آی وی‌لوا کج‌وک

- دین‌ک یراکن‌اور ن‌خور اب راب‌کی ت‌قو دن‌ج ره از مته‌ریس

- هنگام سفت کردن یک پیچ در/کنار لبه یا مقطع برش یک تکه چوب. ابتدا یک

سوراخ ایجاد کنید تا چوب ترک نخورد

- برای عملکرد بهینه ابزار باید فشار بکنواخت روی پیچ وارد شود. بخصوص موقعی

که پیچ را خارج می‌کنید

- اگر می‌خواهید چوب‌های سفت را پیچ کنید باید ابتدا یک سوراخ ایجاد کنید

- مته‌کاری بدون تراشه در چوب ⑮

- مته کاری بدون گرد و غبار در دیوار ⑯

- مته‌کاری بدون گرد و غبار در سقف ⑰

- مته‌کاری کاشی‌ها بدون لیز خوردن ⑱

- برای اطلاعات بیشتر به [www.skil.com](http://www.skil.com) مراجعه کنید

## نگهداری / سرویس

- این ابزار برای مصارف حرفه‌ای مناسب نیست

- همیشه ابزار را تمیز نگه دارید (به‌خصوص شیارهای تهویه H ①)

- دین‌ک ادج رازبیا زا از یرتاب دیاب ندرک یرم‌ت زا شی‌پ !

- اگر ابزار علی‌رغم تمام دقت و مراقبتی که در فرایندهای تولید و تست بکار برده شده

از کار افتاد. تعمیرات باید فقط در مراکز خدمات پس از فروش ابزارهای برقی SKIL

انجام شود

- ابزار را به صورت یازنشده همراه با رسید خرید به فروشنده یا نزدیک‌ترین مرکز

خدمات رسانی SKIL بفروستید (آدرس‌ها به همراه نموده‌رفته‌های سرویس ابزار

در [www.skil.com](http://www.skil.com) موجود است)

- توجه داشته باشید که خرابی و خسارت ناشی از اضافه‌بار یا کار کردن نادرست یا

ابزار مشمول ضمانت نخواهند بود (برای اطلاع از شرایط ضمانت SKIL به نشانی

[www.skil.com](http://www.skil.com) مراجعه کرده یا از فروشنده خود سؤال کنید)

## محیط زیست

- ابزارهای برقی، باتری، لوازم و بسته‌بندی آن‌ها را نباید همراه با زباله‌های عادی

خاکنور دور انداخت (فقط مخصوص کشورهای عضو اتحادیه اروپا)

- با توجه به مصوبه اروپایی ۲۰۰۲/EC/۸۱/۱۰۲ اروپا درباره لوازم برقی و الکترونیکی

مستعمل و اجرای این مصوبه مطابق با قوانین کشوری. ابزارهای برقی که به

پایان عمر مفید خود رسیده اند باید جداگانه جمع آوری شده و به یک مرکز

بازیافت مناسب و سازگار با محیط زیست انتقال یابند

- نماد ۶ یادآور این مسئله در هنگام دور انداختن است

! قبل از دور انداختن باتری حتماً باید روی پایه‌های باتری را با نوار چسب

سنگین بپوشانید تا اتصال کوتاه نکند

## صدا / ارتعاشات

- طبق استاندارد NE ۱۴۸۱۶. میزان فشار صوتی این ابزار ۹۰ دسی‌بل (A) و میزان توان

صوتی آن ۹۸ دسی‌بل (A) (عدم قطعیت K=۵ دسی‌بل). و میزان ارتعاشات آن \* (جمع

بردارهای سه‌جهت: عدم قطعیت K=۵,۱ متر/مجدور ثانیه) می‌باشد

\* در صورت مته‌کاری فلزات ۱۴,۲۱ متر/مجدور ثانیه

\* در صورت مته‌کاری ضربه‌ای در بتن ۱۴,۴۹ متر/مجدور ثانیه

- میزان انتشار ارتعاشات بر اساس تست استاندارد شده ای که در EN ۱۶۸۴۱ معرفی

شده است اندازه گیری گردید: از این ارقام می‌توان برای مقایسه یک ابزار با دیگری و

بعنوان ارزیابی اولیه در معرض قرارگیری ارتعاشات هنگام کار با ابزار در کاربری‌های

فوق استفاده کرد

- استفاده از ابزار برای کاربردی متفاوت یا با لوازم و قطعات متفاوت یا لوازم و

متعلقاتی که بد نگهداری شده‌اند. می‌تواند میزان در معرض بودن را به‌طور

قابل‌ملاحظه‌ای افزایش دهد

- مواقعی که ابزار خاموش است یا وقتی کاری با آن انجام نمی‌شود. میزان در معرض

بودن به‌طور قابل‌توجهی کاهش می‌یابد

! با نگهداری مناسب از ابزار و لوازم و متعلقات آن. گرم نگهداشتن دست‌های

خود. و سازمان‌دهی طرح‌های کاری می‌تواند خود را در برابر اثرات ارتعاش

محافظت کنید



|   |                        |
|---|------------------------|
| H | شماره‌های توییته       |
| J | کلید تغییر جهت چرخش    |
| K | THILKROW               |
| L | سمنظام                 |
| M | دکمه نشانگر شارژ باتری |
| N | مته دو سر              |

## ایمنی

راهنمای‌های ایمنی عمومی برای ابزارهای الکتریکی

**⚠ هشدار!** تمامی هشدارهای ایمنی، دستورالعملها، تصاویر و مشخصات ارائه شده همراه با این ابزار برقی را مطالعه کنید. در صورت عدم رعایت دستورالعمل‌های زیر خطر برق‌گرفتگی، آتش‌سوزی و/یا بروز آسیب‌های شدید وجود دارد.

**همه هشدارها و راهنمایی‌ها را برای استفاده آتی نزد خود نگه دارید.**

در این هشدارها عبارت «ابزار الکتریکی» به معنی ابزارهای الکتریکی فاقد باتری (با سیم) یا ابزارهای الکتریکی باتری‌دار (بی‌سیم) است.

ث) پیش از روشن کردن ابزار الکتریکی، هرگونه کلید یا آچار تنظیم‌کننده را بردارید. آچار یا کلیدهایی که روی بخش‌های چرخنده ابزار الکتریکی قرار دارند، می‌توانند باعث ایجاد جراحت شوند.

ج) هنگام کار با ابزار بیش از اندازه بدن خود را نکشید و متمایل نشوید. در همه حال جای پای محکم داشته باشید و تعادل خود را حفظ کنید. به این ترتیب می‌توانید ابزار الکتریکی را در وضعیت‌های غیرمنتظره بهتر تحت کنترل داشته باشید.

ح) لباس مناسب بپوشید. از پوشیدن لباسهای شل یا زیورآلات خودداری کنید. مو و لباس خود را دور از قطعات متحرک نگاه دارید. لباسهای شل، زیورآلات یا مو بلند می‌توانند در قطعات متحرک گیر کنند.

خ) در صورتیکه می‌توانید وسایل مکش گرد و غبار و یا وسیله جذب زائده را به دستگاه نصب کنید، باید مطمئن شوید که این وسایل نصب و به شیوه‌ای درست استفاده می‌شوند. استفاده از وسایل مکش گرد و غبار می‌تواند خطرات مربوط به غبار را کاهش دهد.

د) اجازه ندهید آشنایی و تسلط حاصل از استفاده مکرر از ابزارها باعث شود حسن کنید لازم نیست وقت داشته باشید و قوانین ایمنی ابزار را نادیده بگیرید. یک عمل از روی برقراری می‌تواند در کسری از ثانیه موجب جراحت شدید شود.

۴) استفاده صحیح از ابزار الکتریکی و مراقبت از آن  
 ا) از وارد کردن فشار زیاد روی دستگاه خودداری کنید. بری هر کاری، از ابزار الکتریکی مناسب با آن استفاده کنید. به کار گرفتن ابزار الکتریکی مناسب باعث می‌شود بتوانید کار را بهتر و به شیوه‌ای ایمن‌تر و با سرعت طراحی‌شده برای آن انجام دهید.

ب) اگر ابزار یا کلید روشن و خاموش نمی‌شود، از آن استفاده نکنید. ابزار الکتریکی که امکان روشن و خاموش کردن آن با کلید وجود ندارد، خطرناک است و باید تعمیر شود.

ت) قبل از هرگونه تنظیم، تعویض قطعات یا کنار گذاشتن دستگاه، دوشاخه را از برق بکشید و/یا اگر می‌توان باتری را جدا کرد، بسته باتری آن را خارج کنید. رعایت این اقدامات پیشگیرانه ایمنی خطر روشن شدن ناخواسته ابزار الکتریکی را کاهش می‌دهد.

ث) ابزار الکتریکی را در صورت عدم استفاده از دسترس کودکان دور نگه دارید و اجازه ندهید افراد ناوارد و یا اشخاصی که این دفترچه راهنما را خوانده‌اند، با این دستگاه کار کنند. قرار گرفتن ابزار الکتریکی در دست افراد ناوارد و بی تجربه خطرناک است.

ج) از ابزار الکتریکی به خوبی نگهداری کنید. وجود نامیزیانی یا اتصال میان اجزای متحرک، شکستگی قطعات و هرگونه وضعیت دیگری که ممکن است بر روی عملکرد ابزار الکتریکی تأثیر بگذارد را بررسی کنید. در صورت وجود آسیب، پیش از استفاده از ابزار آن را تعمیر کنید. بسیاری از اتفاقات به دلیل عدم نگهداری مناسب از ابزار الکتریکی روی می‌دهد.

ح) ابزار هرس را تیز و تمیز نگه دارید. ابزار هرسی که خوب مراقبت شده و دارای لبه‌های تیز هستند، کمتر در قطعه کار گیر کرده و بهتر قابل هدایت می‌باشند.

خ) ابزارهای الکتریکی، متعلقات و ابزار که روی دستگاه نصب می‌شوند و غیره را مطابق دستورات این جزوه راهنما به کار بگیرید و شرایط کاری و نوع کار را در نظر داشته باشید. استفاده کردن از ابزار الکتریکی برای کارهایی که برای آن طراحی نشده است می‌تواند بسیار خطرناک باشد.

د) دسته‌ها و سطوح دستگیره‌ها را خشک، تمیز و عاری از روغن و گریس نگه دارید. در صورت لیز بودن دسته‌ها و سطوح دستگیره‌ها امکان گرفتن و کنترل ایمن ابزار در شرایط غیرمنتظره وجود نخواهد داشت.

ه) مراقبت و طرز استفاده از ابزارهای شارژی  
 ا) باتری‌ها را منحصرراً در دستگاه‌هایی شارژ کنید که توسط سازنده توصیه شده باشند. شارژی که برای یک نوع بسته باتری مناسب است، ممکن است اگر برای شارژ بسته باتری دیگر استفاده شود خطر آتش‌سوزی ایجاد کند.

ب) در ابزار الکتریکی، تنها از باتری‌هایی استفاده کنید که برای آن در نظر گرفته شده‌اند. استفاده از باتری‌های متفرقه می‌تواند منجر به جراحات و حریق گردد. در صورت عدم استفاده از باتری باید آن را از گیره‌های فلزی سکه، کلید، میخ، پیچ یا دیگر وسایل کوچک فلزی دور نگه دارید، زیرا این وسایل ممکن است باعث ایجاد اتصالی شوند. ایجاد اتصالی بین ترمینال‌های باتری می‌تواند باعث سوختگی یا ایجاد حریق شود.

ث) استفاده بیهوشی از باتری می‌تواند باعث خروج مایعات از آن شود؛ در چنین شرایطی از دست زدن به آن خودداری کنید. در صورت تماس اتفاقی با آن، دست خود را با آب بشویید. در صورت تماس با مایع با چشم، به پزشک مراجعه کنید. مایع خارج‌شده از باتری می‌تواند باعث التهاب پوست و سوختگی شود.  
 ج) اگر یک بسته باتری یا ابزار آسیب دیده یا دستکاری شده است، نباید از آن

۱) ایمنی محل کار  
 ا) محیط کار باید تمیز و دارای روشنایی مناسب باشد. محیط کار نامرتب و کم نور می‌تواند باعث سوانح کاری شود.

ب) با ابزار الکتریکی در محیط‌هایی که در آن خطر انفجار وجود دارد، مانند محیط‌های حاوی مایعات، گازها و غبارهای محترقه، کار نکنید. ابزارهای الکتریکی جرقه‌هایی ایجاد می‌کنند که ممکن است غبارها یا بخارها را مشتعل کنند.

ت) در هنگام کار با ابزار الکتریکی، کودکان و اطرافیان را از محل کار دور نگه دارید. حواس پرتی می‌تواند باعث شود کنترل وسیله را از دست بدهید.

۲) ایمنی الکتریکی

ا) دوشاخه‌های ابزار الکتریکی باید با پریز همخوانی داشته باشند. دوشاخه را هرگز و به هیچ صورتی تغییر ندهید. برای ابزار ارت‌شده (دارای سیم اتصال به زمین) از دوشاخه‌های تبدیل استفاده نکنید. دوشاخه‌های بدون تغییر و پریزهای سازگار خطر برق‌گرفتگی را کاهش می‌دهند.

ب) از تماس بدن یا سطوح متصل به زمین یا ارت دار مانند لوله، رادیاتور، اجاق گاز و یخچال اجتناب کنید. اگر بدن شما ارت شود یا به زمین متصل شود خطر برق‌گرفتگی افزایش می‌یابد.

ت) ابزار الکتریکی را در معرض باران یا در محیط‌های مرطوب قرار ندهید. نفوذ آب به ابزار الکتریکی، خطر برق‌گرفتگی را افزایش می‌دهد.

ث) به سیم آسیب نرسانید. هرگز از سیم برای حمل، کشیدن یا بیرون آوردن دوشاخه ابزار الکتریکی از پریز استفاده نکنید. سیم ابزار را از گرما، روغن، لبه های تیز و قطعات متحرک دور نگه دارید. سیم‌های آسیب‌دیده یا در هم پیچیده‌شده خطر برق‌گرفتگی را افزایش می‌دهند.

ج) به هنگام کار با ابزار الکتریکی در محیط باز از کابل رابط مناسب برای محیط باز استفاده کنید. استفاده از سیم مناسب برای استفاده در محیط باز خطر برق‌گرفتگی را کاهش می‌دهد.

ح) اگر کار با ابزار الکتریکی در محیطی مرطوب اجتناب‌ناپذیر است، از یک کلید حفاظتی جریان خطا و نشستی زمین (کلید قطع‌کننده اتصال یا زمین) استفاده کنید. استفاده از کلید قطع‌کننده اتصال با زمین خطر برق‌گرفتگی را کاهش می‌دهد.

۳) رعایت ایمنی اشخاص

ا) هنگام کار با ابزار الکتریکی هشیار باشید. به کاری که می‌کنید دقت داشته باشید و از عقل سلیم خود استفاده کنید. به هنگام بستن سیم به هنگام مصرف مواد، الکل یا دارو را ابزار الکتریکی استفاده نکنید. یک قطعه غفلت هنگام کار با ابزار الکتریکی می‌تواند سبب وارد آمدن جراحات‌های شدید شود.

ب) از تجهیزات ایمنی شخصی استفاده کنید. همواره از عینک ایمنی استفاده کنید. استفاده از تجهیزات ایمنی مانند ماسک تنفسی گرد و غبار، کفش‌های ایمنی ضد لغزش، کلاه ایمنی و گوشی ایمنی مناسب با نوع کار با ابزار الکتریکی، خطر مجروح شدن را تقلیل می‌دهد.

ت) از روشن شدن ناخواسته ابزار جلوگیری کنید. پیش از اتصال به منبع برق و/یا بسته باتری، برداشتن یا حمل ابزار، اطمینان حاصل کنید که دکمه قطع و وصل در حالت خاموش قرار داشته باشد. در صورتیکه هنگام حمل دستگاه انگشت شما روی دکمه قطع و وصل بماند و یا دستگاه را در حالت روشن به برق بزنید، ممکن است سوانح کاری پیش آید.



عند القيام بالأعمال الشاقة

- سيقوم الوضع C بقلل الفايز للسماح بالنقب بالطرق فقط

! تأكد أن محدد السرعة G في الوضع F عندما يكون محدد الوظيفة F في وضع النقب بالطرق

! لا تستخدم وضع النقب بالطرق C للنقب في الخشب والمعادن والسيراميك والبلاستيك لمنع تعرض لقمة النقب/البرغي للتللف

• تحديد السرعة اليدوي ⑪  
- اضبط الحد G على السرعة المطلوبة  
! قم بتشغيل محدد السرعة أثناء عمل الآلة ببطء

1  
- سرعة منخفضة

- عزم مرتفع

- لربط وفك البراغي والنقب بأقطار كبيرة

- للربط المولب

2  
- سرعة عالية

- عزم منخفض

- للنقب بالطرق

- للنقب بأقطار صغيرة

• مصباح العمل (K ⑫)

- سوف يضيء مصباح العمل K عند تشغيل الآلة.

! عندما يبدأ مصباح العمل في الوميض، يتم تنشيط خاصية حماية

البطارية (انظر أدناه)

• حماية البطارية

تتوقف الآلة عن العمل بشكل مفاجئ، أو لا يمكن تشغيلها في الحالات التالية

- الحمل زائد للغاية <-> تخلى من الحمل وأعد التشغيل

- درجة حرارة البطارية ليست في نطاق درجة حرارة التشغيل المقبولة وهو

20° إلى 50° درجة مئوية <-> 2 تبدأ مستويات مؤشر شحن البطارية في

الوميض عند الضغط على الزر (V) C M: انتظر حتى عودة البطارية إلى نطاق

درجة حرارة التشغيل المقبولة

- شحن البطارية يكاد يكون فارغاً (للمحماية من التفريغ العميق للشحن) <->

يتم عرض مستوى الشحن المنخفض للبطارية أو يومض مستوى شحن

البطارية المنخفض (V) B من خلال مؤشر شحن البطارية عند الضغط على الزر

M: اشحن البطارية

! لا تستمر في الضغط على زر التشغيل/الإيقاف بعد توقف الآلة بشكل

إسماك الآلة وتوجيهها ⑬

! أثناء العمل، احرص دائماً على الإمساك بالآلة من مناطق المقبض رمادية

اللون

- احرص على عدم تغطية فتحات التهوية H ⑭

- لا تضغط بشدة على الآلة، بل تركها تقوم بالعمل من أهلك

## نصائح الاستخدام

• استخدم اللقم المناسبة ⑮

! استخدم اللقم المشحونة فقط

• عند نقب معادن جديدة

- عند الحاجة لنقب فتحة كبيرة، قم بعمل نقب خضيري بفتحة صغيرة

- قم بتثبيت لقمة النقب من وقت لآخر بالزيت

- عند ربط مسمار عند/بالقرب من طرف قطع مستعرض أو حافة قطعة خشبية،

قم بعمل نقب مسبق لتجنب تشقق الخشب

- للاستخدام الأمثل للآلة، يتطلب الأمر الضغط بتيارات على المسمار، والأخص عند

فكه

• عند ربط مسمار في خشب صلب، يجب عمل نقب مسبق

• النقب بدون شظايا في الخشب ⑯

• نقب في الجدران بدون غبار ⑰

• نقب في الأسقف بدون غبار ⑱

• نقب في البلاط بدون ارتداد ⑲

• لمزيد من المعلومات، زر موقعنا www.skil.com

## الصيانة/الخدمة

• هذه الآلة غير معدة للاستخدام المهني

• احرص دائماً على نظافة الآلة (خاصة فتحات التهوية H ⑳)

## ! أزل البطارية من الآلة قبل التنظيف

• إذا تعذر تشغيل الآلة على الرغم من الجذر الشديد في إجراءات التصنيع والاختبار،

فيجب القيام بالإصلاحات بواسطة مركز خدمة ما بعد البيع للآلات العاملة

بوظائف الخاصة بشركة SKIL

- قم بإرسال الآلة دون تفكيكها بالإضافة إلى إثبات الشراء إلى البائع أو أقرب

مركز خدمة SKIL (العناوين بالإضافة إلى مخطط الخدمة متاحان على

www.skil.com)

• كن على علم بأن التلف الناتج عن زيادة التحميل أو التعامل مع الآلة بطريقة

خاطئة سيتم استيعاده من الضمان (المعرفة بشروط ضمان SKIL انظر

www.skil.com أو قم بسؤال التاجر)

## البيئة

• لا تتخلص من الأدوات الكهربائية والبطاريات والملحقات ومواد التغليف مع

النفايات المنزلية (الدول الاتحاد الأوروبي فقط)

- وفقاً للتوجيه الأوروبي 19/2012/EC الخاص بنفايات المعدات الكهربائية

والإلكترونية، وتطبيقه بالتوافق مع القانون المحلي، يجب جمع الأدوات الكهربائية

منتهية الصلاحية بشكل منفصل وإرسالها إلى أحد منشآت إعادة التصنيع

التوافقة مع البيئة

- سيذكر الرمز 1 بهذا عند الحاجة إلى التخلص من أية آلة

! قبل التخلص من البطارية، قم بحماية أطراف توصيل البطارية بشرائط

قوي لمنع حدوث دائرة قصر (فقل للدائرة)

## الضوضاء/الاهتزاز

• عند القياس بالتوافق مع المعيار EN 12841، يكون مستوى ضغط صوت هذه الآلة

هو 90 ديسيبل (A) ومستوى قوة الصوت هو 98 ديسيبل (A) (نسبة الشك K = 5

ديسيبل). والاهتزاز\* (مجموع الكميات الموجهة ثلاثي المحاور، نسبة الشك K=1,5 م/

ثانية<sup>2</sup>)

\* عند نقب المعدن 12,41 م/ثانية<sup>2</sup>

\* عند النقب في الخرسانة بالطرق 14,49 م/ثانية<sup>2</sup>

• تم قياس مستوى انبعاثات الاهتزاز بالتوافق مع الاختبار المعياري المحدد في EN 14821:1،

يمكن استخدامه لمقارنة آلة بالآلة أخرى وتقييم تمهيدي للتعرض للاهتزاز عند

استخدام الآلة في التطبيقات الموضحة

- قد يؤدي استخدام الآلة في تطبيقات مختلفة أو مع ملحقات مختلفة أو ذات

صيانة رديئة إلى زيادة مستوى التعرض بصورة كبيرة

- إن الفترة الزمنية التي يتم خلالها إيقاف تشغيل الآلة أو عندما تكون قيد

التشغيل لكنها لا تؤدي أية مهام، قد تؤدي إلى تقليل مستوى التعرض بصورة

كبيرة

! قم بحماية نفسك من تأثيرات الاهتزاز من خلال صيانة الآلة وملحقاتها،

وإحفاظ على يدك دافنتين وتنظيم أعطاك العمل لديك

FA

٣٠٢١

## مته ضريه اى بدون برس

### مقدمه

• اين ايزار برى سفت كردن و شل كردن بچها و همجنين برى حفرى در چوب.

• سراميك و پلاستيك و برى حفرى ضربه در اجر در نظر گرفته شده است.

• اين ايزار برى مصارف حرفه اى مناسب نيست.

• لطفاً اين دفترچه راهنما را مطالعه كنيد و نگه داريد. ②

### اطلاعات فى ①

• حداكثراً گشتاور برى استفاده به عنوان بيج گويشتى بر اساس ISO 5393:55Nm :

### اجزى ايزار ②

A كليد روشن/خاموش و كنترل دور

B حلقه كنترل گشتاور

C وضعت مته كارى ضربه اى

D وضعت مته كارى

E وضعت بيج گويشتى

F كليد تغيير عملكرد

G گزينشگر دنده

والشحوم. لأن الفايض وأسطح الإسماك المنزلفة لا تتحمل القدرة على التعامل والتحكم الآمنين في الآلة في المواقف غير المتوقعة.

5 استخدام الآلة العاملة بالبطارية والعناية بها  
أ) لا تعد شحن الآلة إلا باستخدام الشاحن المحدد من قبل الشركة الصانعة.

فالشاحن الملائم لنوع ما من مجموعات البطارية قد يتسبب في نشوب حريق إذا تم استخدامه مع مجموعة بطارية أخرى.

ب) استخدم الآلات العاملة بالطاقة مع مجموعات البطاريات المخصصة لها فقط. استخدام أي مجموعات بطاريات أخرى قد ينشأ عنه خطر الإصابة أو نشوب حريق.

ت) عند عدم استخدام مجموعة البطارية، احتفظ بها بعيداً عن الأغراض المعدنية الأخرى مثل مشابك الأوراق أو العملات المعدنية أو المفاتيح أو المسامير أو البراغي أو الأغراض المعدنية الصغيرة الأخرى التي قد تتسبب في عمل دائرة قصر (قفل للدائرة) بين أقطاب البطارية. عمل دائرة قصر (قفل الدائرة) بين أطراف البطارية قد يتسبب في حرق أو نشوب حريق.

ث) في حالات التعامل السري، قد يحدث ارتشاح للسوائل من البطارية: لا تلامسه. إذا حدثت ملامسة بشكل عرضي، فاغسلها بالماء إذا لاسس السائل العينين. فاطلب المساعدة الطبية على الفور. السائل الخارج من البطارية قد يتسبب في امتصاص الجلد أو حدوث حروق به.

ج) لا تستخدم مجموعة البطارية أو الآلة إذا كانا تالفين أو تم إدخال تعديلات عليهما. لأن البطاريات التالفة قد تعمل بشكل غير متوقع، وهو ما قد يؤدي لنشوب حريق أو حدوث انفجار أو خطر التعرض لإصابة.

ح) لا تقم بتعرض مجموعة البطارية أو الآلة للحرق أو درجات الحرارة الزائدة. التعرض لدرجات الحرارة الأعلى من ٠٣١ درجة مئوية قد يؤدي لحدوث انفجار.

خ) اتبع تعليمات الشحن ولا تشحن مجموعة البطارية أو الآلة في نطاق درجة حرارة خارج النطاق المحدد في التعليمات. قد يؤدي الشحن غير المضبوط أو في درجات حرارة خارج النطاق المسموح به إلى تلف البطارية وخطر نشوب حريق.

١) الصيانة  
أ) ينبغي إجراء الصيانة على الآلة بواسطة فني إصلاح متخصص باستخدام قطع غير أصلية مطابقة فقط. فهذا سيضمن المحافظة على سلامة الآلة.

ب) لا تقم بصيانة مجموعات البطارية التالفة بأي حال من الأحوال. بل ينبغي أن تكون صيانة مجموعات البطارية من خلال الشركة الصانعة أو مقدمي الخدمة المعتمدين فقط.

تعليمات السلامة الخاصة بالمشاقط المطرقي اللاسلكي  
١) تعليمات السلامة الخاصة بجميع العمليات

أ) ارتد واقيات للأذنين عند استخدام المشاقط المقاق التعرض للضوضاء قد يؤدي لأضرار على السمع.

ب) أمسك بالآلة العاملة بالطاقة من أسطح الإسماك المعزولة، وذلك عند القيام بأعمال قد يلحق فيها ملحق القطع أو أداة الربط بأسلاك مخفية. قد يتلامس ملحق القطع وأدوات الربط مع سلك تيار «حار». وهو ما يجعل الأجزاء المعدنية المكشوفة بالآلة «كهربية» ويتسبب في إصابة مُشغِّل الآلة بصدمة كهربائية.

٢) تعليمات السلامة عند استخدام لقمع الثقب الطويلة  
أ) لا تقم بأي حال من الأحوال بتشغيل الآلة على سرعة أعلى من الحد الأقصى للسرعة المقرر للقمع الثقب. فعند السرعات العالية، تميل اللقمة إلى الانثناء إذا تم تركها تدور في الهواء دون ملامسة القطعة التي سيتم العمل عليها، وهو ما قد يؤدي إلى وقوع إصابات شخصية.

ب) احرص دائماً على بدء الثقب عند سرعة منخفضة مع ملامسة حافة اللقمة للقطعة التي سيتم العمل عليها. فعند السرعات العالية، تميل اللقمة إلى الانثناء إذا تم تركها تدور في الهواء دون ملامسة القطعة التي سيتم العمل عليها، وهو ما قد يؤدي إلى وقوع إصابات شخصية.

ت) يكون تطبيق الضغط في خط مستقيم باستخدام اللقمة، مع مراعاة عدم تطبيق ضغط زائد عن الحد. قد تنتني اللقمة، وهو ما قد يؤدي لاتسارها أو فقد السيطرة عليها، وبالتالي قد تقع إصابات شخصية.

عام  
• الغبار الناتج من المواد كالبلاستيك الذي يحتوي على رصاص وبعض أنواع الأخشاب والمعادن والمكونات المعدنية قد يكون ضاراً (ملامسة أو استنشاق الغبار قد يتسبب في إصابة المشغل أو من يجاوره بأمراض الحساسية أو أمراض الجهاز التنفسي).

• قم بارتداء قناع للغبار مع العمل باستخدام جهاز شفط للغبار. طالما أمكن توصيله

• ثمة أنواع معينة من الغبار تُصنّف على أنها مواد مسببة للسرطان (مثل غبار خشب البوط والزئبق). خاصة عند استخدامها مع مواد مضافة لمعالجة الخشب: قم بارتداء قناع للغبار مع العمل باستخدام جهاز شفط للغبار. طالما أمكن توصيله

• التزم بالمتطلبات الوطنية الخاصة بالغبار عند العمل باستخدام المواد المطلوبة لا تستخدم المنتج على مواد تشتمل على الألبستوس (يعتبر الألبستوس مادة

مسرطنة)

• تأكد من أن المفتاح J ٢ في الوضع الأوسط (وضع القفل) قبل إجراء أي تعديلات. أو تغيير للملحقات. وكذا عند حمل الآلة أو تخزينها.

#### الملحقات

• تضمن LIXS التشغيل السلس للآلة عند استخدام الملحقات الأصلية فقط. استخدم فقط الملحقات بالسرعة المسموح بها، والتي توافق على الأقل أعلى سرعة للآلة بدون حمل

#### قبل الاستخدام

• تجنب التلف الذي قد تتسبب فيه البراغي والمسامير والعناصر الأخرى الموجودة في القطعة التي تعمل بها. قم بفكهم قبل بدء العمل.

• ثبت قطعة العمل (القطعة التي يتم تثبيتها بمعدات تثبيت أو في منجلة تكون ثابتة بشكل أكثر أمناً عن إمساكها باليد)

• استخدم كاشفات ملائمة للعثور على خط المرافق الخفي أو اطلب شركة المرافق الجلية للحصول على مساعدة (التلامس مع خطوط إمداد الكهرباء قد يؤدي إلى حدوث حرق أو صدمة كهربائية؛ وتلف خط الغاز قد يؤدي إلى حدوث انفجار؛ واختراق أنابيب المياه سيُسبب في حدوث ضرر في الممتلكات أو صدمة كهربائية)

#### البطاريات

• البطارية المرفقة - إن وجدت - مشحونة جزئياً. (الضمان الحصول على كامل طاقة البطارية، قم بشحن البطارية بالكامل من خلال الشاحن قبل استخدام الآلة للمرة الأولى)

• استخدم البطاريات والشواحن التالية فقط مع هذه الآلة  
- بطارية BR: SKIL: ٣١٠٠٠٠٠  
- شاحن CR: SKIL: ٣١٠٠٠٠٠

• لا تستخدم البطارية إذا تعرضت للتلف؛ ويجب استبدالها على الفور  
• لا تقم بتفكيك البطارية بنفسك

• لا تقم بتعرض الآلة/البطارية للمطر  
• درجة الحرارة المحيطة المسموح بها (الآلة/الشاحن/البطارية):  
• أثناء الشحن ٤ إلى ٤٠ درجة مئوية

• أثناء التشغيل ٠٢٠ إلى ٠٥٠ درجة مئوية  
• أثناء التخزين ٠٢٠ إلى ٠٥٠ درجة مئوية

• شرح الرموز الموجودة على الآلة/البطارية  
① اقرأ دليل التعليمات قبل الاستخدام

② قد تنفجر البطاريات عندما تعترض للنفار، لذا لا تحرق البطارية لأي سبب

③ قم بتخزين الآلة/الشاحن/البطارية في أماكن لا تتجاوز درجة الحرارة فيها ٥٠ درجة مئوية

④ لا تتخلص من الآلات الكهربائية والبطاريات مع النفايات المنزلية

#### الاستخدام

• مفتاح مدمج للتشغيل/الإيقاف والتحكم في السرعة A ①  
- يتحكم في السرعة من الصفر وحتى السرعة القصوى على نحو غير متدرج بالضغط أكثر أو أقل على الزناد

• شحن البطارية  
! اقرأ حذيرات وتعليمات السلامة المرفقة مع الشاحن  
• خلع التركيب البطارية ①

• مؤنشر شحن البطارية ②  
- اضغط على زر مؤنشر شحن البطارية M تعرض مستوى شحن البطارية الحالي

• ③ a  
! عند بدء مستوى الحد الأدنى المؤنشر البطارية في الوهميض بعد الضغط على الزر M ③ b. فهذا معناه أن البطارية فارغة فارغة الشحن

! عند بدء مستويين من مؤنشر البطارية في الوهميض بعد الضغط على الزر M ③ c. فهذا معناه أن البطارية ليست في نطاق درجة حرارة التشغيل المسموح بها

• تغيير اتجاه الدوران ④  
- في حالة عدم الضغط كما ينبغي في الاتجاه الأيسر/الأيمن. لا يمكن تفعيل

• المفتاح ⑤ A  
! لا تقم بتغيير اتجاه الدوران إلا بعد توقف حركة الآلة تماماً

• تغيير اللقمة ⑥  
! لا تستخدم لقمة جذعها تالف

• التحكم في العزم ⑦ VariTorque  
- سيتم زيادة عزم التخرج عند تدوير طوق الفايض B من ١ إلى ١٧

- عند ربط برغي. جرت أولاً وضع ١ الخاص بالتحكم في العزم VariTorque. ثم قم بزيادة التدوير إلى أن تصل إلى العمق المطلوب

- سيقوم الوضع D بقتل الفايض للسماح بالثقب أو الربط (بدون طرق)

## مقشاب دفاق بدون فرش

٣٠٢١

## مقدمة

- هذه الآلة مخصصة لربط وفك البراغي، وكذلك للثقب في الخشب والسيراميك والبلاستيك، وللثقب بالطرق في الطوب.
- هذه الآلة غير معدة للاستخدام الاحترافي.
- اقرأ دليل التعليمات هذا واحتفظ به. (٢)

## البيانات الفنية ١

أقصى عزم مستخدم لفك البراغي وفقاً لمعايير OSI ٣٩٣٥ : ٥٥ نيوتن متر

## مكونات الآلة ٢

- |   |   |
|---|---|
| A | مفتاح للتشغيل/الإيقاف والتحكم في السرعة |
| B | طوق للتحكم في العزم                     |
| C | وضع الثقب بالطرق                        |
| D | وضع الثقب                               |
| E | وضع ربط وفك البراغي                     |
| F | مفتاح تغيير الوظائف                     |
| G | محدد السرعة                             |
| H | فتحات التهوية                           |
| J | مفتاح لتغيير اتجاه الدوران              |
| K | مصباح العمل                             |
| L | ظرف التنبيت                             |
| M | زر مؤشر شحن البطارية                    |
| N | لقمة مزدوجة الطرف                       |

## السلامة

خُذيرات السلامة العامة المتعلقة بالآلة العاملة بالطاقة

١ خذير اقرأ جميع خُذيرات السلامة والتعليمات والرسوم التوضيحية والمواصفات المرفقة مع هذه الآلة. عدم اتباع جميع التعليمات الواردة أدناه قد يؤدي إلى حدوث صدمة كهربائية أو نشوب حريق أو التعرض للإصابة. أحمدا وجميعها.

احتفظ بجميع التحذيرات والتعليمات للرجوع إليها في المستقبل.

يشير مصطلح "آلة عاملة بالطاقة" في قسم التحذيرات إلى الآلة العاملة بالطاقة (الموصولة بسلك تيار) أو الآلة العاملة بالبطارية (غير الموصولة بسلك تيار).

## ١ سلامة منطقة العمل

أ) حافظ على منطقة العمل نظيفة ومضاءة جيداً، حيث عادة ما تتسبب المناطق المظلمة أو التي بها ركام إلى وقوع حوادث.

ب) لا تقم بتشغيل الآلات العاملة بالطاقة في أجواء قابلة للانفجار، على سبيل المثال في وجود سوائل أو غازات أو غبار قابلة للاشتعال. فقد تتسبب الآلات العاملة بالطاقة في صدور شرارة، والتي قد تتسبب في اشتعال الغبار أو الأبخرة القابلة للاشتعال.

ت) احتفظ بالأطفال والشباب بعيداً عن موقع استعمال الآلة العاملة بالطاقة حيث أن الإلهاءات قد يجعلك تفقد السيطرة على الآلة.

## ٢ السلامة الكهربائية

أ) ينبغي أن يتوافق قياسي الآلة العاملة بالطاقة مع مقبس التيار، لا يجب إدخال تعديلات على القابس بأي حال من الأحوال. لا تستخدم أي قوايس مهايئة مع الآلات العاملة بالطاقة المؤرضة. ستؤدي القوايس غير المعدلة والمقابس المتوافقة إلى الحد من خطر حدوث صدمة كهربائية.

ب) تجنب ملامسة الجسم لأسطح مؤرضة مثل الأنابيب والمشعاع والمواقف والنلاجات، هناك خطر متزايد لحدوث صدمة كهربائية إذا كان جسمك مؤرضاً.

ت) لا تقم بتعريض الآلات العاملة بالطاقة للمطر أو الأجواء الرطبة، حيث سيؤدي الماء الذي يدخل إلى الآلة العاملة بالطاقة إلى زيادة خطر حدوث صدمة كهربائية.

ث) لا تعبت بسلك التيار، لا تقم أبداً باستخدام سلك التيار لحمل الآلة العاملة بالطاقة أو سحبها أو فصلها عن التيار، احتفظ بالسلك بعيداً عن مصدر الحرارة أو الزيت أو الحواف الحادة أو الأجزاء المتحركة. تؤدي أسلاك التيار المتالفة أو المتشابكة إلى زيادة خطر حدوث صدمة كهربائية.

ج) عند تشغيل آلة عاملة بالطاقة في مكان خارجي مفتوح، استخدم سلك تمديد ملائم للاستخدام الخارجي. استخدام سلك ملائم للاستخدام الخارجي يحد من خطر حدوث صدمة كهربائية.

ح) إذا كان لابد من تشغيل الآلة في مكان رطب، فاستخدم مصدر تيار محمي بقاطع تيار متبقي (DCR)، يؤدي استخدام قاطع التيار المتبقي إلى الحد من خطر حدوث صدمة كهربائية.

## ٣ السلامة الشخصية

أ) ابق متنبها، وانتبه جيداً لما تفعله، وكن عقلانياً عند تشغيل آلة تعمل بالطاقة، لا تستخدم آلة تعمل بالطاقة وأنت مجهد أو تحت تأثير الخدرات أو الكحوليات أو الأدوية، قد تؤدي لحظة من عدم الانتباه أثناء تشغيل الآلات العاملة بالطاقة إلى حدوث إصابات شخصية خطيرة.

ب) استخدم أدوات حماية شخصية، وارتن دائماً أدوات حماية للعينين. سيؤدي استخدام أدوات الحماية كختم الغبار أو أحذية السلامة المضادة للانزلاق أو القبعة الصلبة أو أدوات حماية السمع في ظروف مناسبة إلى الحماية من الإصابات الشخصية.

ت) امنع بدء تشغيل الآلة غير المتعمد، احرص على أن يكون مفتاح الطاقة في وضع الإيقاف قبل توصيل الآلة بمصدر التيار أو مجموعة البطاريات، أو التقاط الآلة أو حملها، قد يؤدي حمل الآلات العاملة بالطاقة وأصعبك على مفتاح التشغيل أو شحن الآلات العاملة بالطاقة ومفتاح التشغيل في وضع التشغيل إلى وقوع حوادث.

ث) أزل أي مفتاح تعديل أو مفتاح ربط قبل تشغيل الآلة العاملة بالطاقة، قد يؤدي ترك مفتاح ربط أو مفتاح عادي مركباً على جزء دوار بالآلة العاملة بالطاقة إلى وقوع إصابات شخصية.

ج) لا تقف في مكان تضطر لم يدرك بعيداً، قف وأنت ثابت ومتوازن في جميع الأوقات، وهو ما يسمح بتحكم أفضل في الآلة العاملة بالطاقة في الظروف غير المتوقعة.

ح) ارتد ملابس ملائمة، لا ترتد ملابس أو مجوهرات غير ثابتة، احتفظ بشعرك وملابسك بعيداً عن الأجزاء المتحركة، قد تعلق الملابس الفضفاضة أو المجوهرات أو الشعر الطويل في الأجزاء المتحركة.

خ) إذا تمت إتاحة الأجهزة لتوصيل مراقف استخلاص وجمع الغبار، فتأكد من توصيلها واستخدامها على نحو ملائم، قد يؤدي استخدام جمع الغبار إلى الحد من المخاطر المرتبطة به.

د) لا تدع الحميرة المكتسبة من الاستخدام المتكرر للآلات يجعلك تتعامل دون الانتباه اللازم وتجاهل مبادئ السلامة المتعلقة بالآلة، فقد يتسبب أي إجراء غير مدروس في إصابات خطيرة في جزء من الثانية.

٤) استخدام الآلة العاملة بالطاقة والعناية بها  
أ) لا جبر الآلة العاملة بالطاقة على أعمال تفوق قدرتها، استخدم الآلة العاملة بالطاقة الملائمة لأعمالك، ستقوم الآلة العاملة بالطاقة الملائمة بأداء أعمالك بشكل أفضل وأكثر أماناً بالعدل الذي أعادت له.

ب) لا تستخدم الأداة العاملة بالطاقة إذا كان مفتاح التشغيل لا يمكن نقله إلى وضع التشغيل أو وضع الإيقاف، أي آلة عاملة بالطاقة لا يمكن التحكم فيها بمفتاح التشغيل تعتبر خطيرة وينبغي إصلاحها.

ت) أفضل القابض من مصدر التيار وأو أخلع مجموعة البطاريات -إذا كانت قابلة للخلع- من الآلة العاملة بالطاقة قبل إجراء أي تعديلات أو تغيير ملحقات أو تخزين الآلات العاملة بالطاقة، إجراءات السلامة الوقائية هذه قد من خطر تشغيل الآلة العاملة بالطاقة بشكل خاطئ.

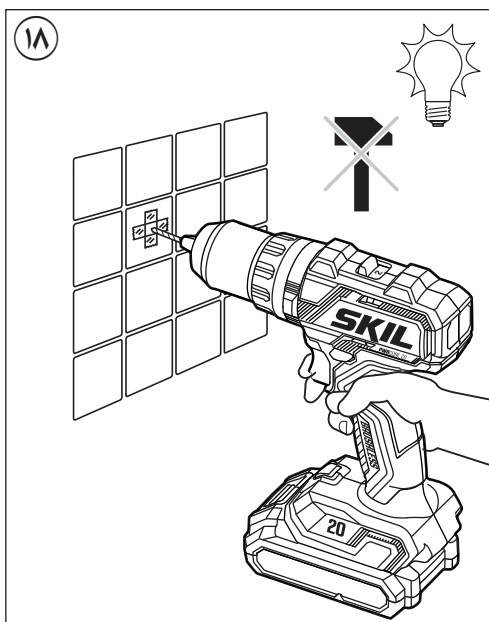
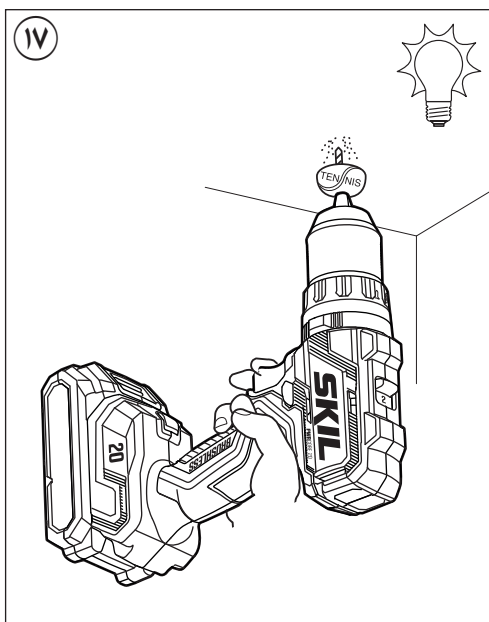
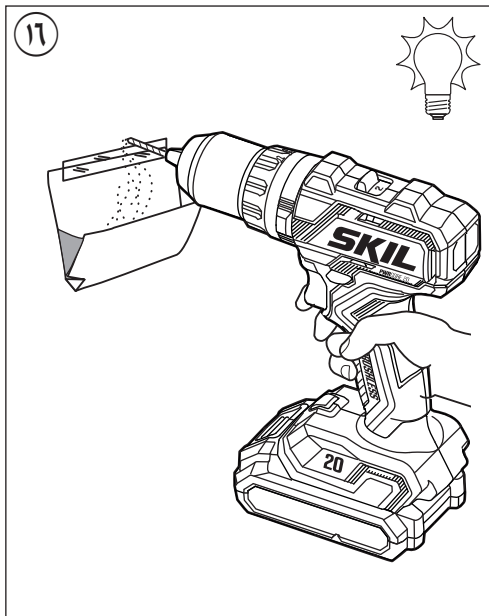
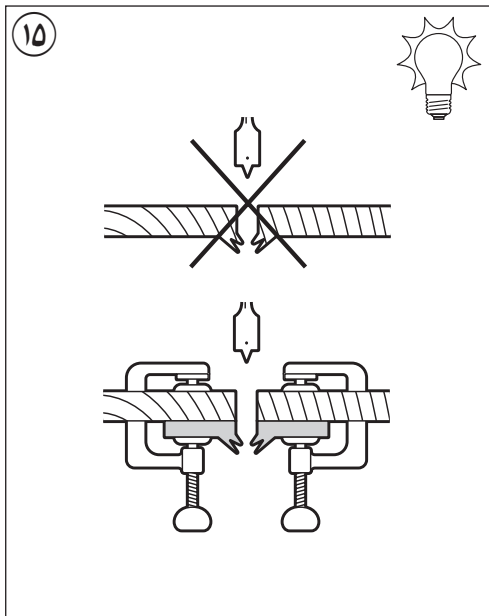
ث) خزن الأداة العاملة بالطاقة المصنوبة على وضع الاستعداد بعيداً عن متناول أيدي الأطفال، ولا تسمح للأشخاص غير المعتادين على الأداة العاملة بالطاقة أو على هذه التعليمات بتشغيل الأداة العاملة بالطاقة، الآلات العاملة بالطاقة تكون خطيرة في أيدي الأشخاص غير المدربين.

ج) حافظ على الآلات العاملة بالطاقة والملحقات، تحقق ما إذا كان هناك عدم محاذاة أو ربط للأجزاء المتحركة، وعدم وجود أجزاء مكسورة وأي حالة أخرى قد تؤثر على تشغيل الآلة العاملة بالطاقة، إذا كان هناك تلف، فقم بإصلاح الآلة العاملة بالطاقة قبل استخدامها، فالعديد من الحوادث يكون سببها الآلات التي لم تتم صيانتها.

ح) احتفظ بالأدوات القاطعة حادة ونظيفة، الأدوات القاطعة التي تتم صيانتها كما ينبغي للاحتفاظ بحوافها القاطعة حادة تكون أقل عرضة للانحناء وسهل التحكم فيها.

خ) استخدم الآلة والملحقات والنمق والمماثلهم وفقاً لهذه التعليمات، مع الأخذ في الاعتبار ظروف العمل والأعمال التي سيتم تنفيذها، قد يؤدي استخدام الآلة في أعمال غير تلك المخصصة لها إلى حدوث خطيرة.

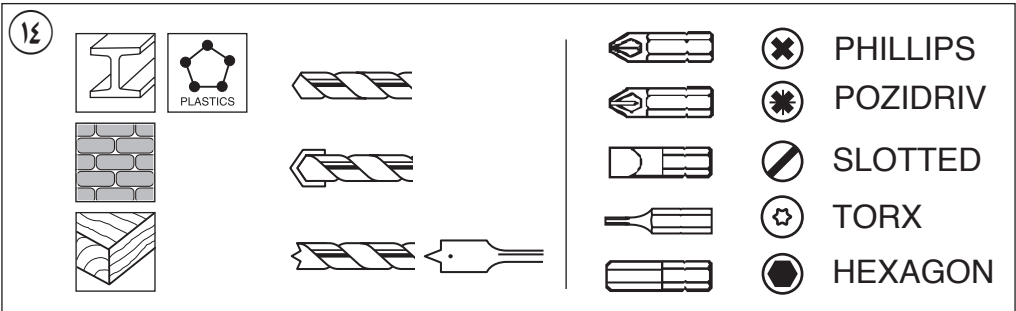
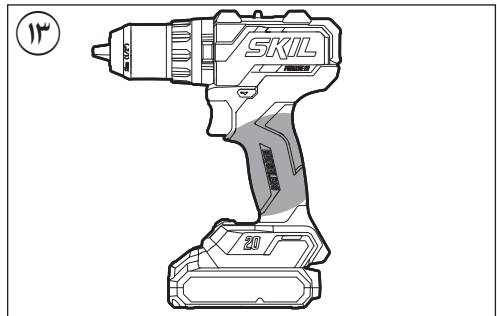
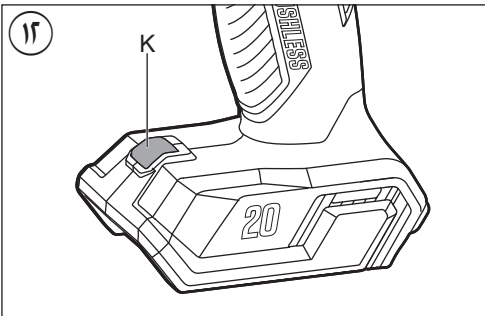
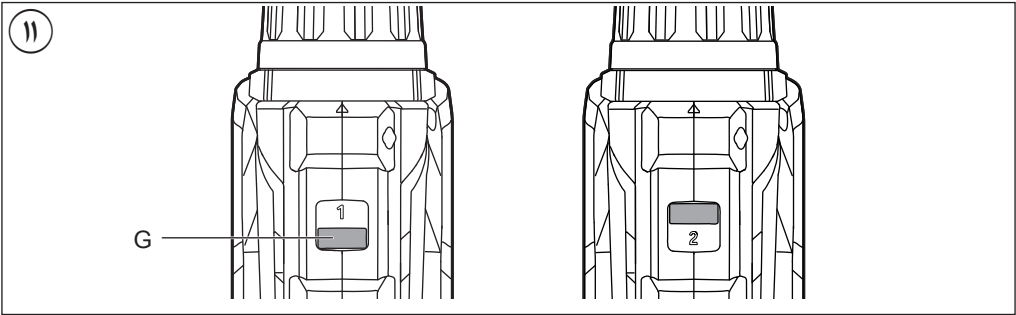
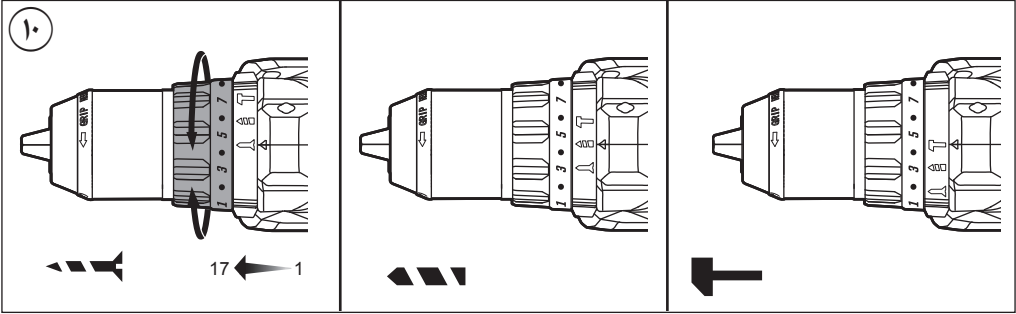
د) احتفظ بالمقابض وأسطح الإمساك جافة ونظيفة وخالية من الزيوت

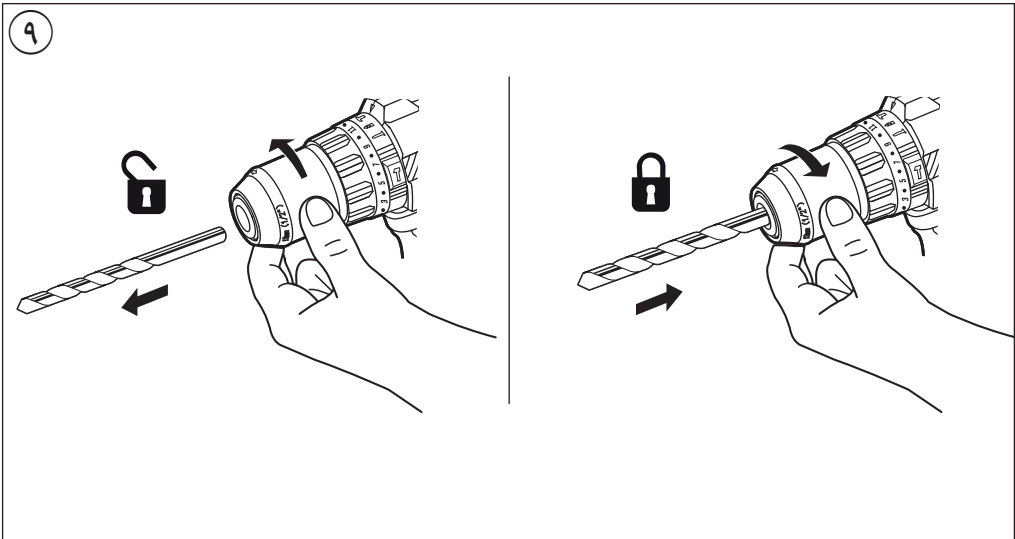
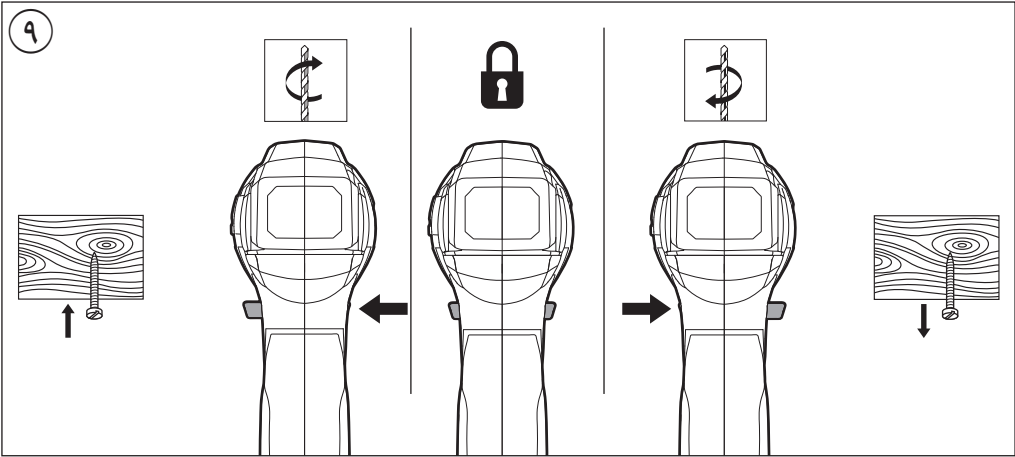
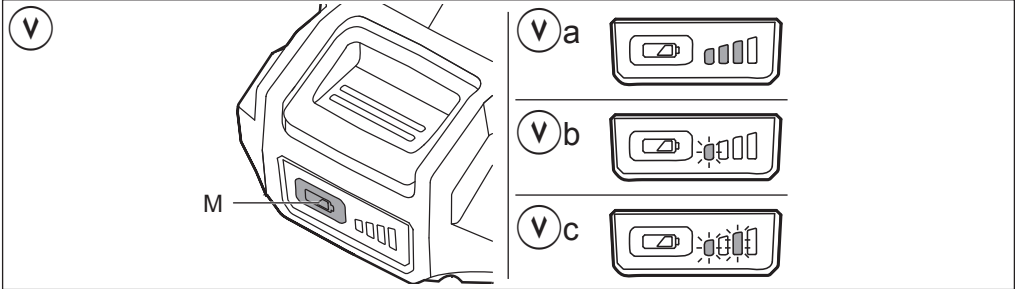


ACCESSORIES



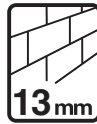
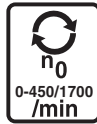
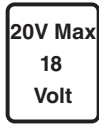
WWW.SKIL.COM



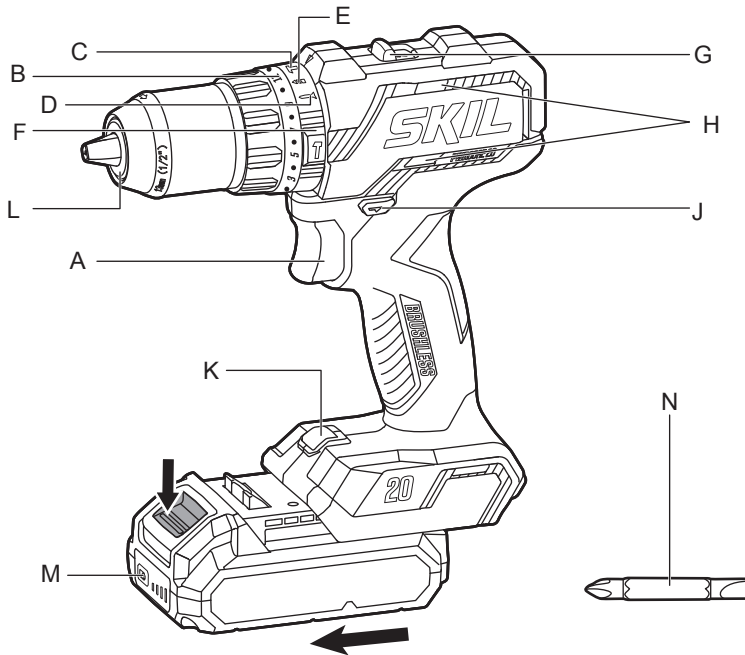


1

3021



2



3



4



5



6



مثقاب دقاق بدون فرش

3021

**SKIL®**



دليل الاستعمال  
راهنماي اصلي

AR

FA

