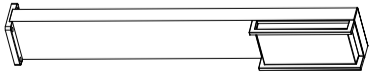
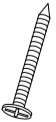

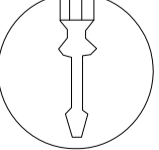
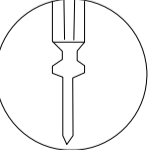



| | |
|---|------------|
| parts supplied | |
|  | X 1 |
|  | X 4 |
|  | X 4 |

| | |
|--|------------|
| parts not supplied | |
|  | X 1 |
|  | X 1 |

| | |
|---|----------------|
| | 220V-240V 50HZ |
| CE | |
| IP54 | |
|  | |