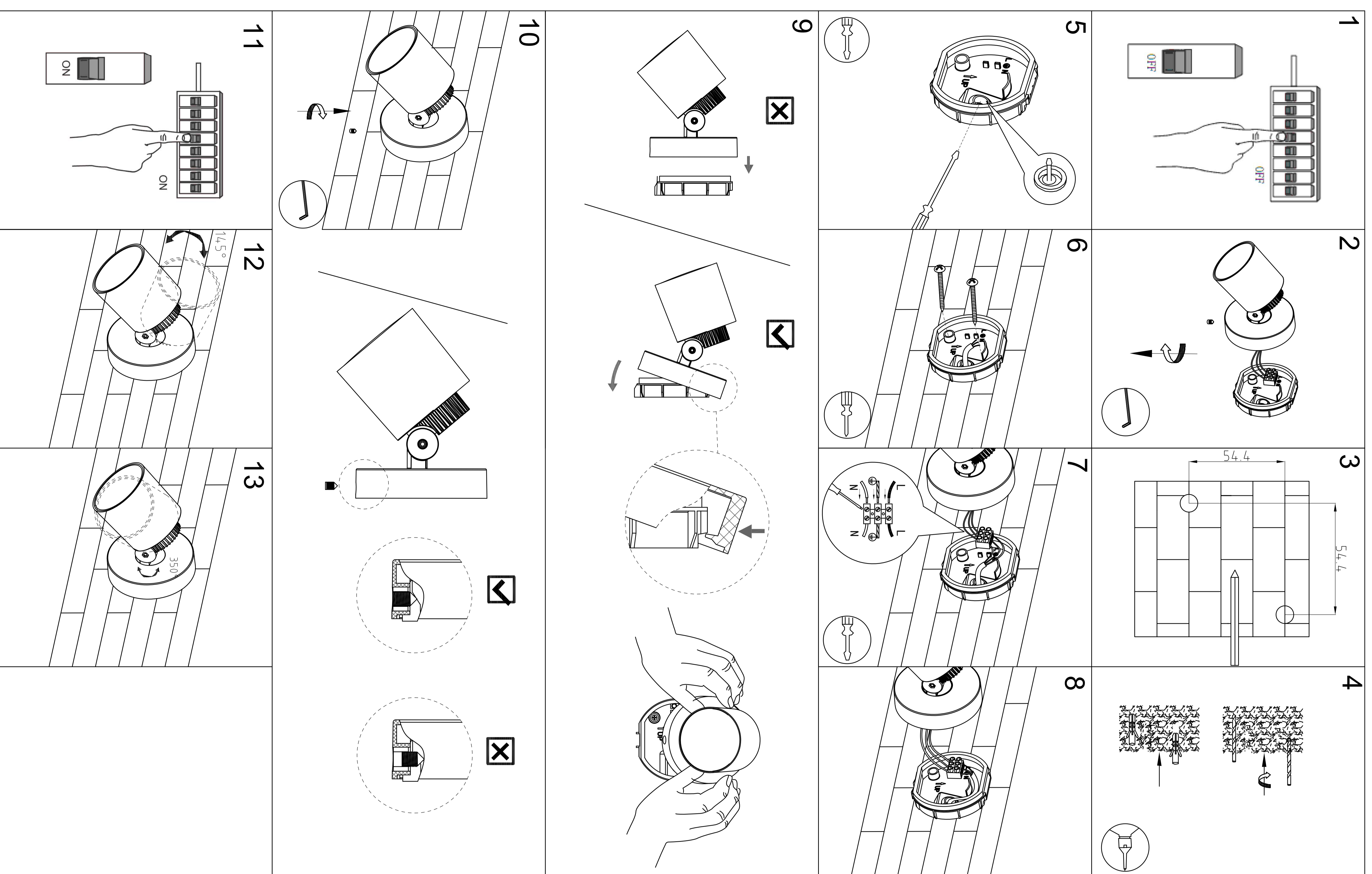


		220V-240V 50HZ
CE		
IP54		



parts supplied	
	X1
	X2
	X2
	X1

parts not supplied	
	X1
	X1
	X1