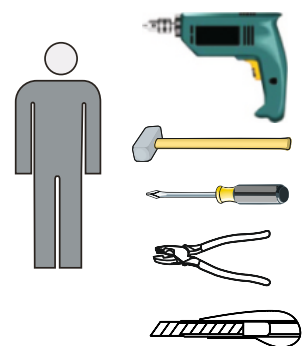
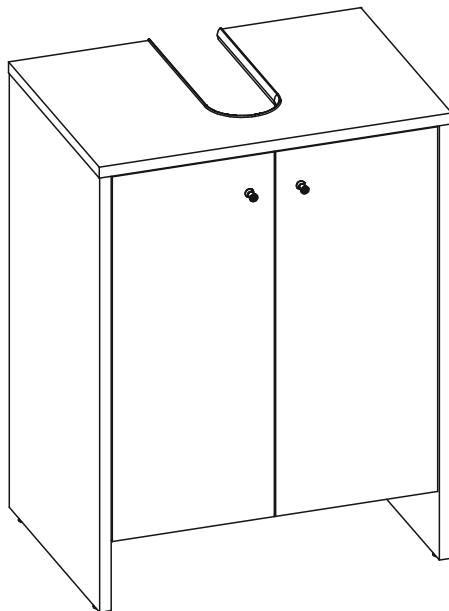
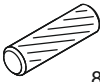
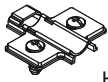
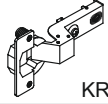
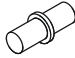

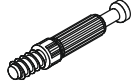

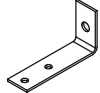
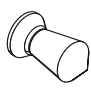



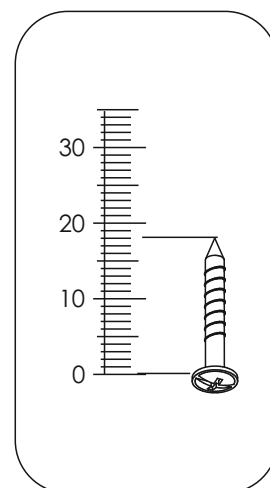
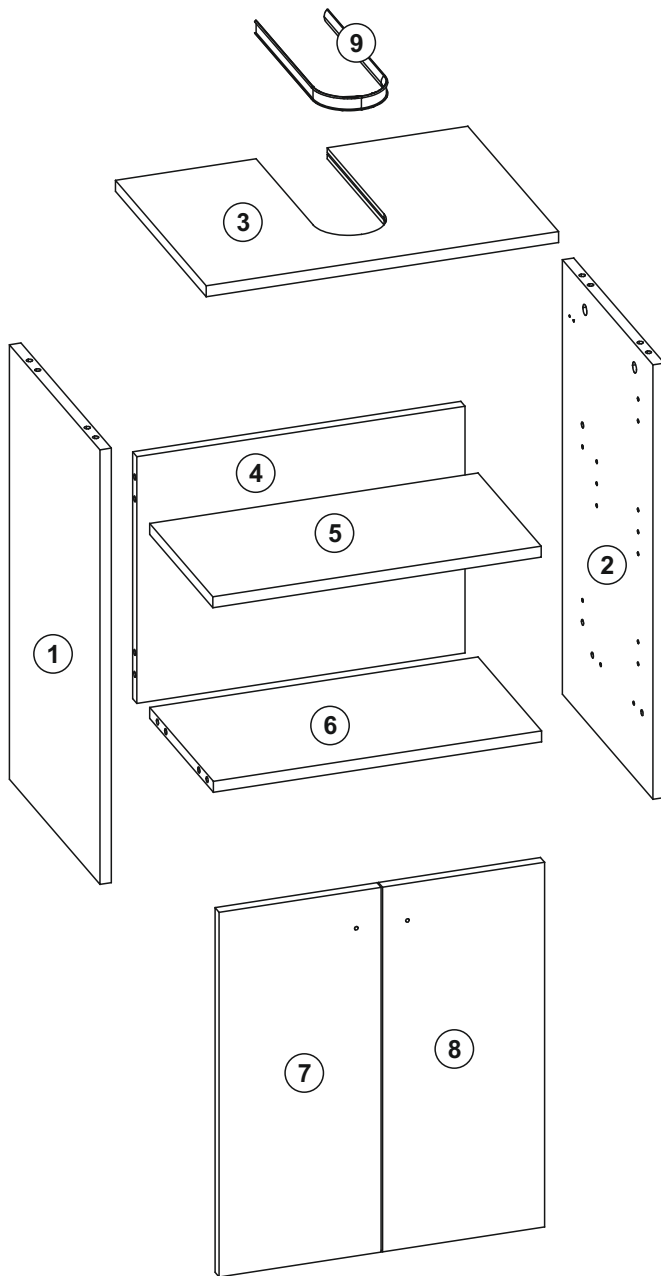
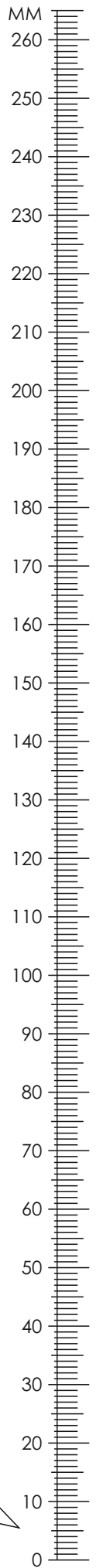


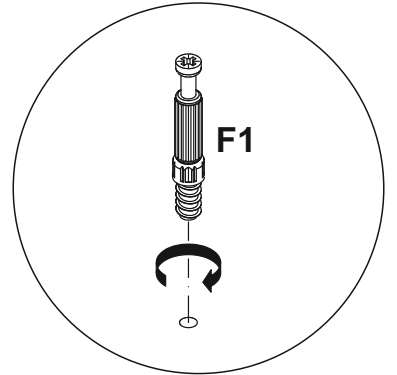
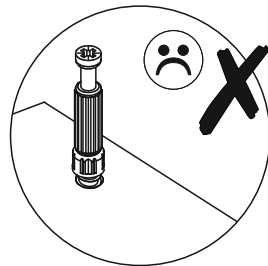
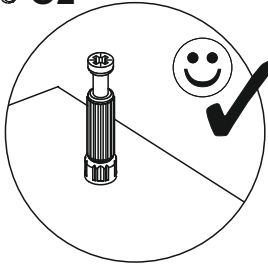
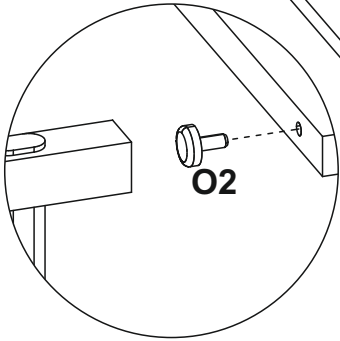
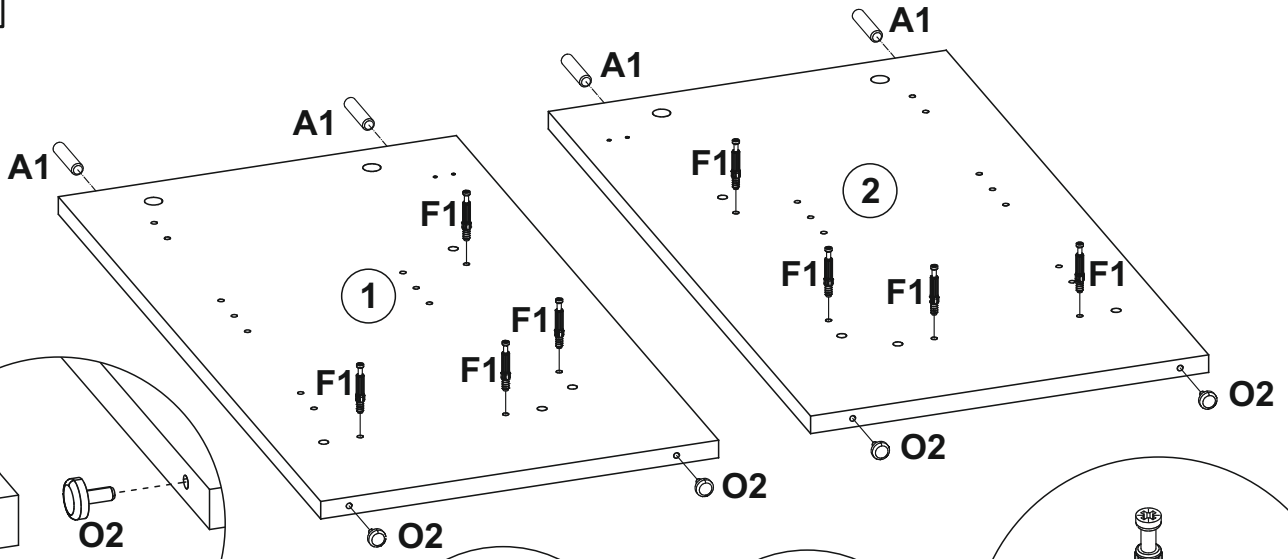
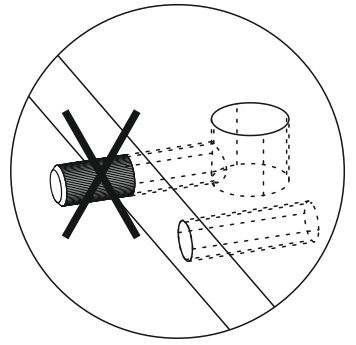
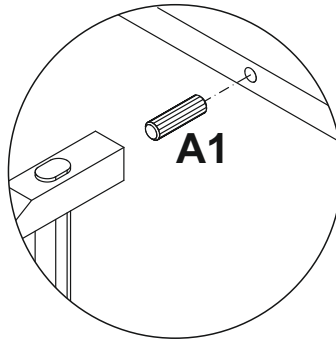
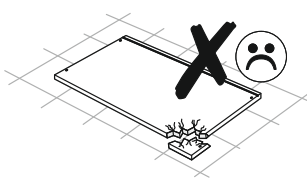
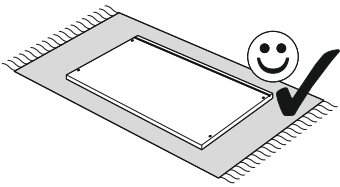
**2D**  
**553436**  
**623663**



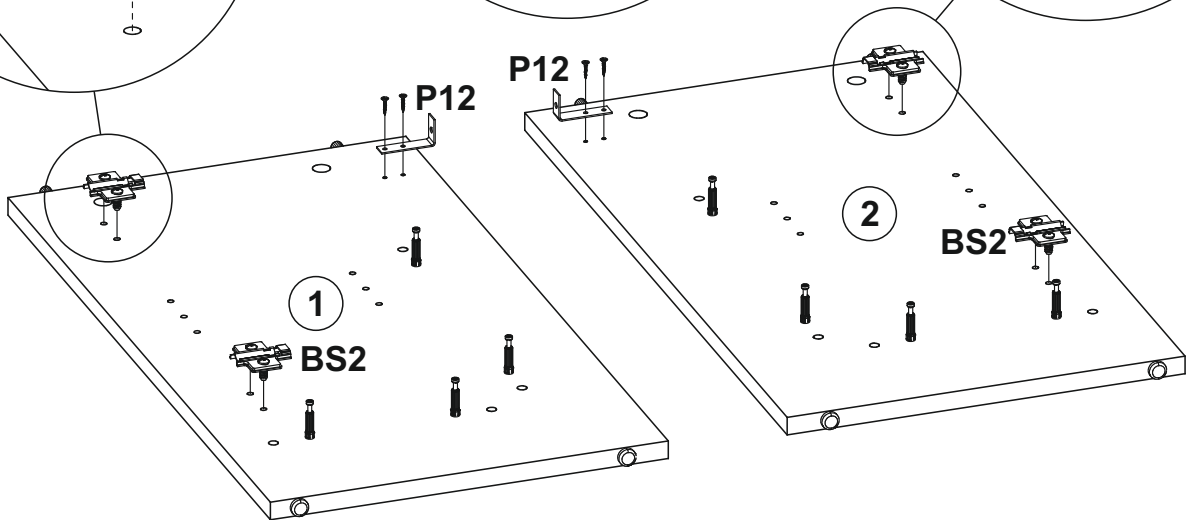
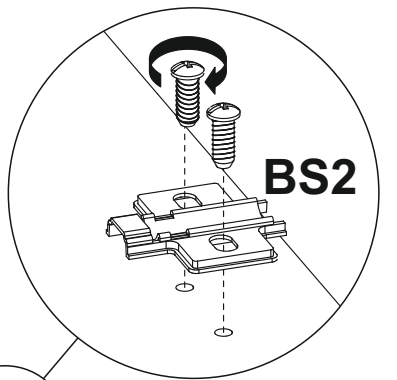
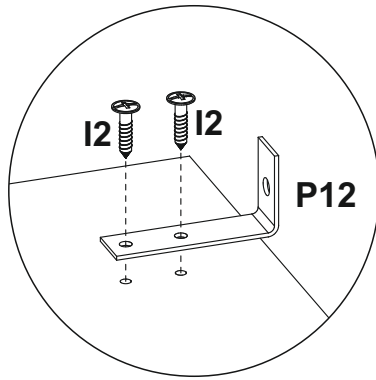
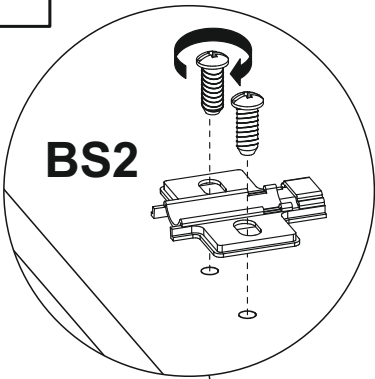
<b>A1</b>  8x30 x 12	<b>BS2</b>  H=2 x 4	<b>BSZ3</b>  KR=15 x 4	<b>D1</b>  x 4	<b>E1</b>  x 12	<b>F1</b>  x 12
<b>I2</b>  UP3x12 x 4	<b>P12</b>  x 2	<b>H</b>  x 2	<b>K1</b>  M4x22 x 2	<b>P0</b>  x 8	<b>O2</b>  x 4



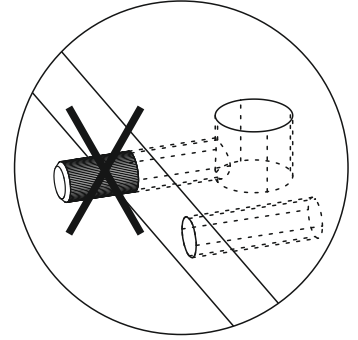
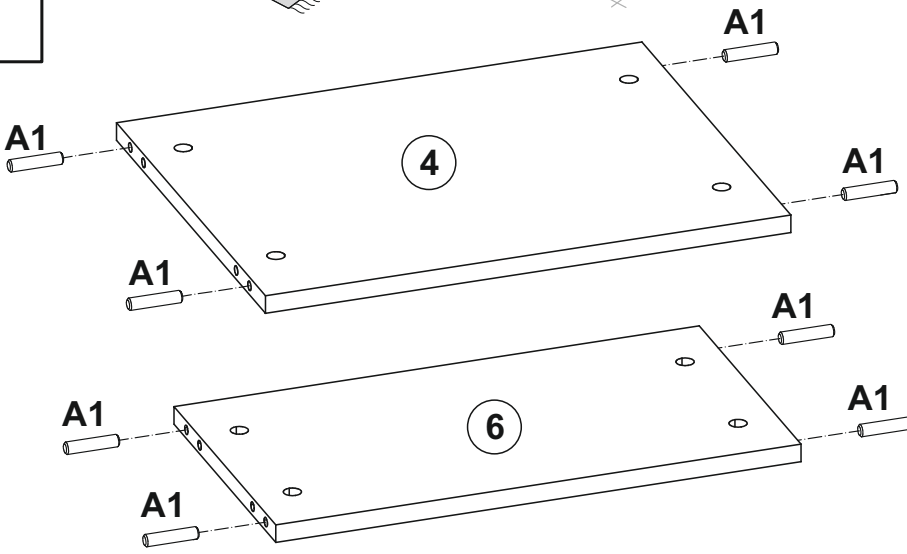
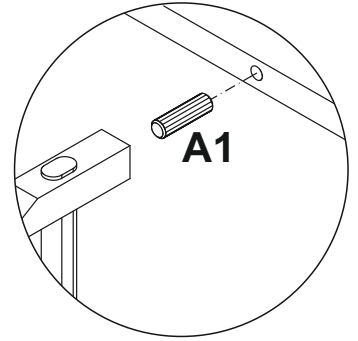
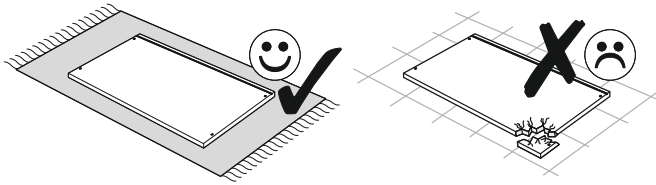
1



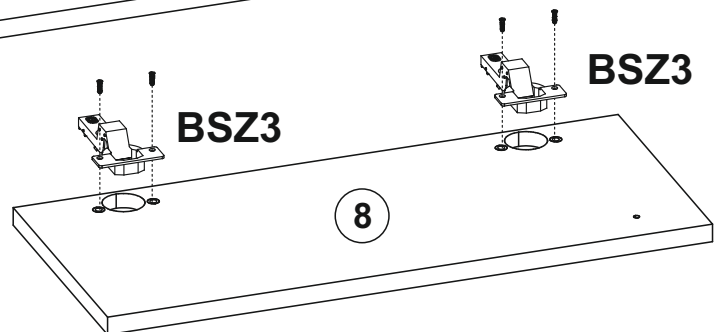
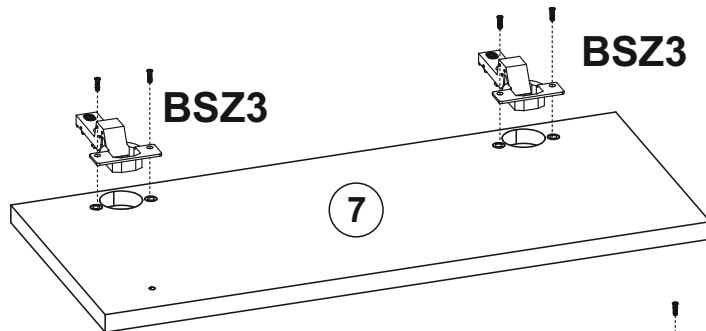
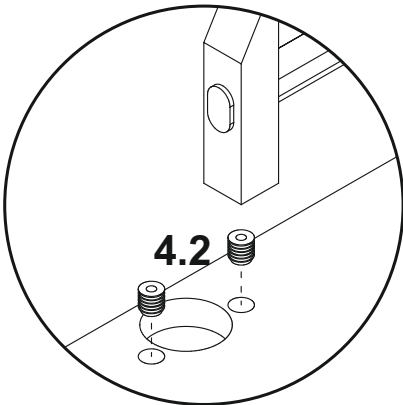
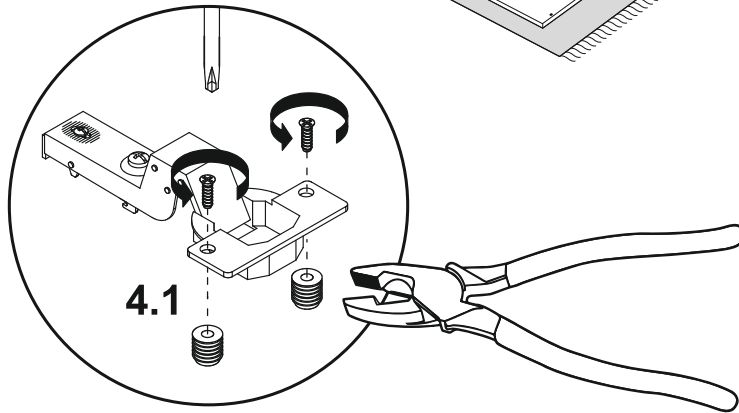
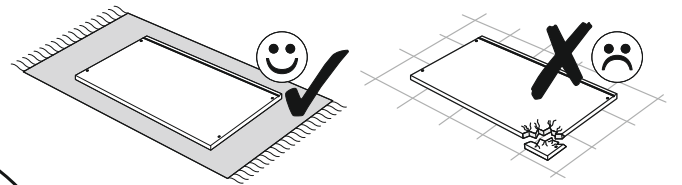
2



3



4



5

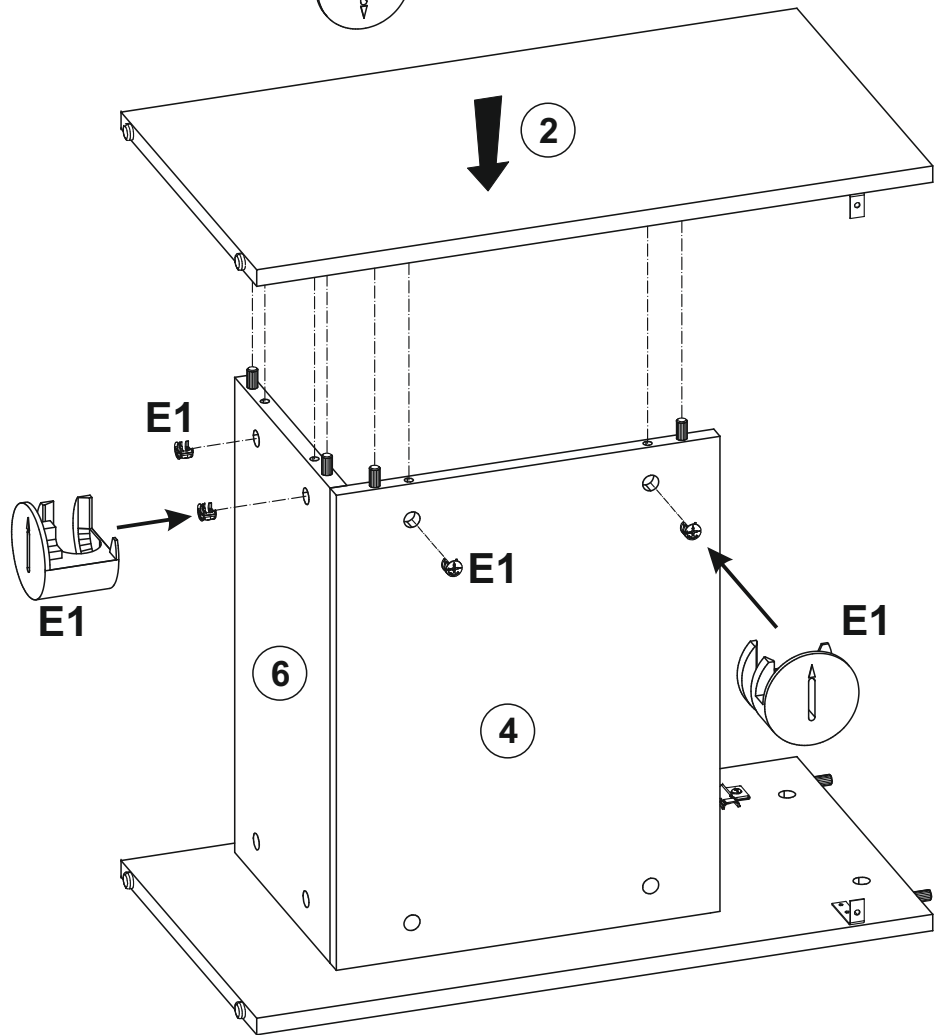
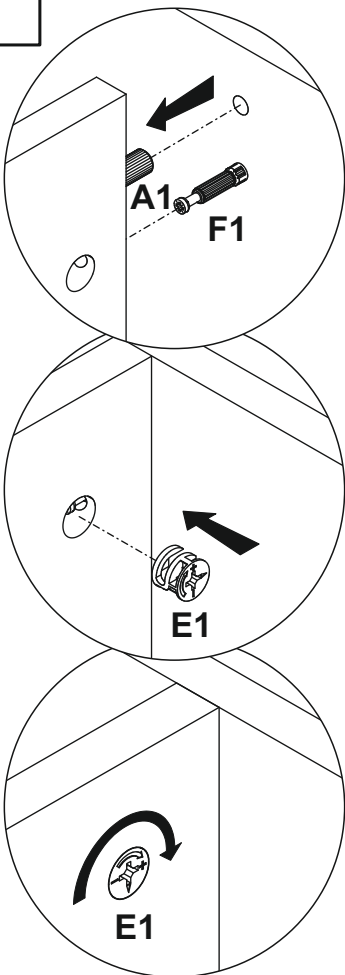
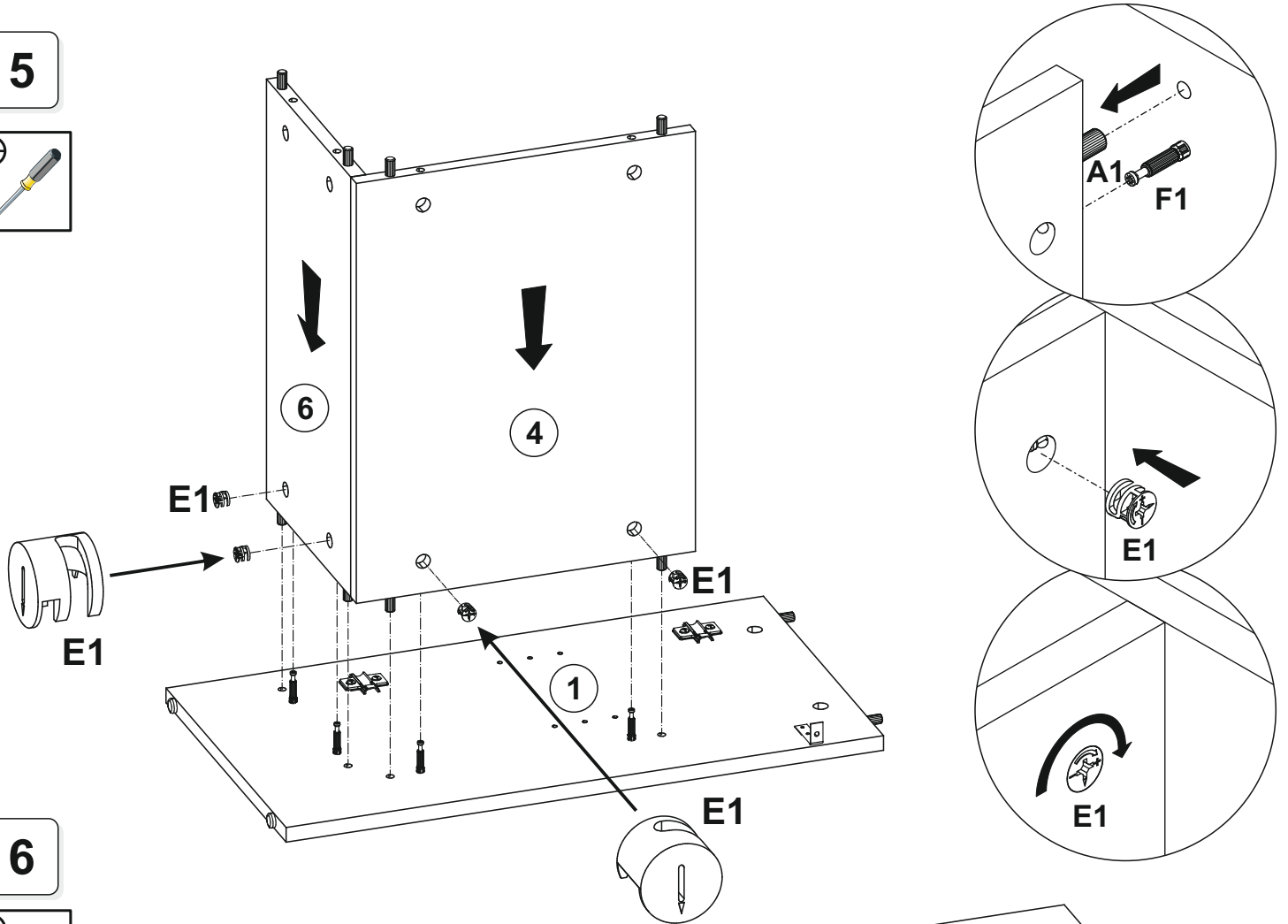


5

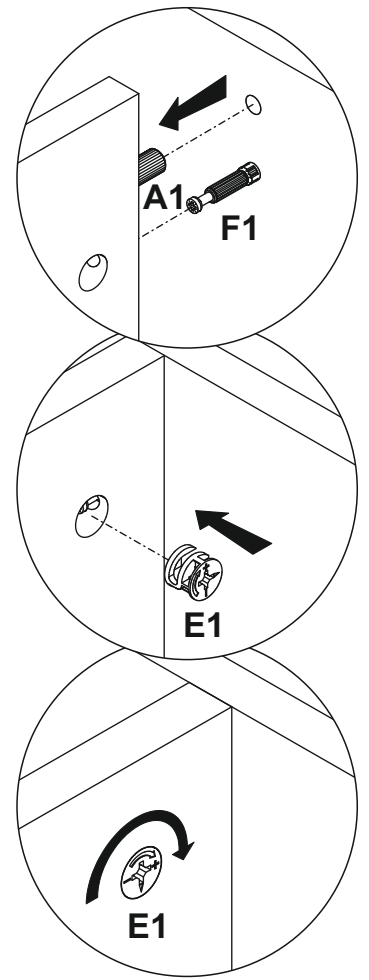
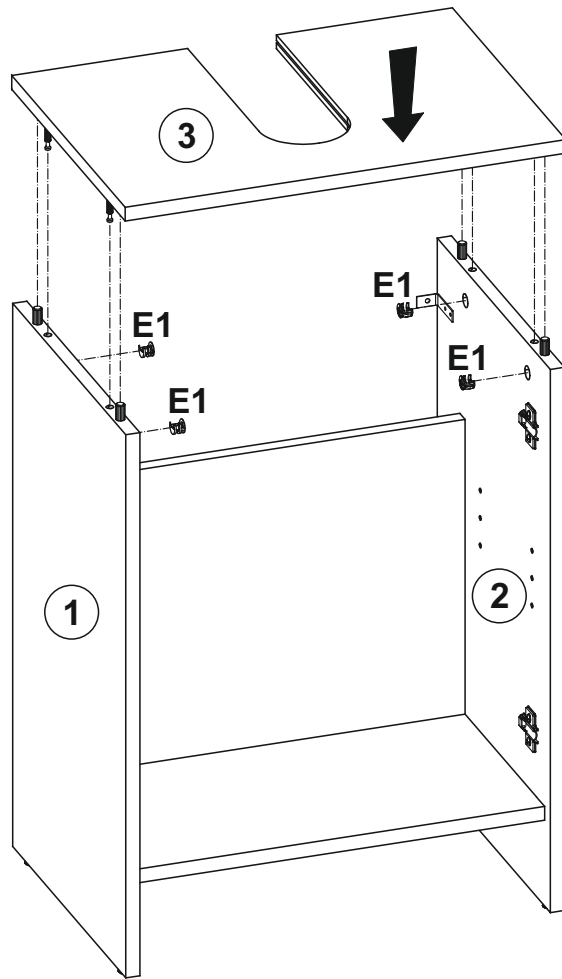
6



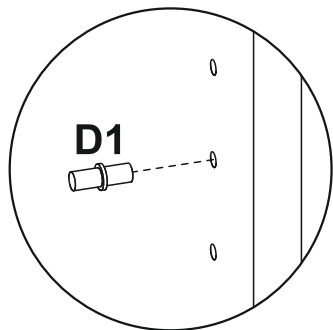
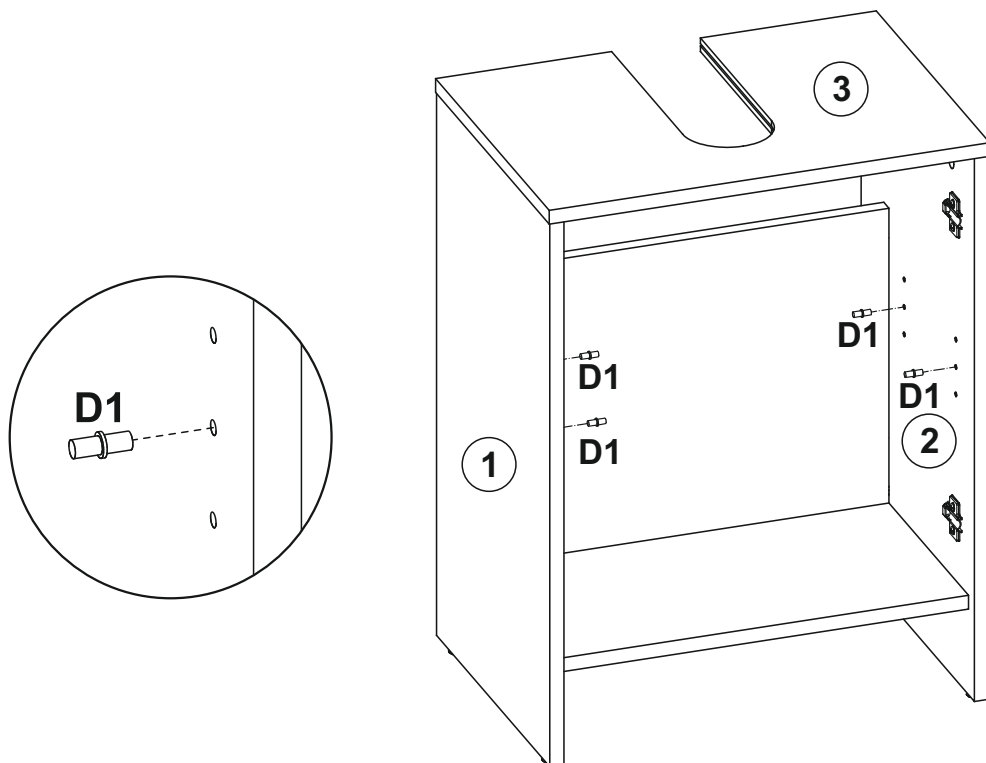
6



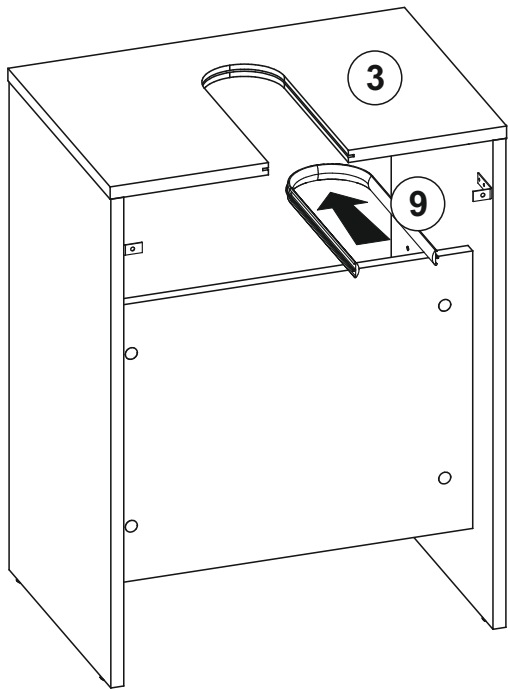
7



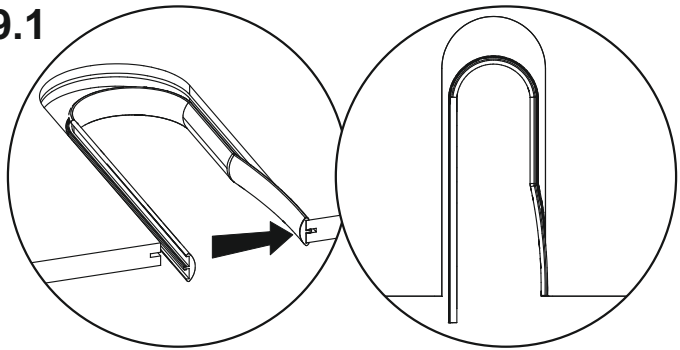
8



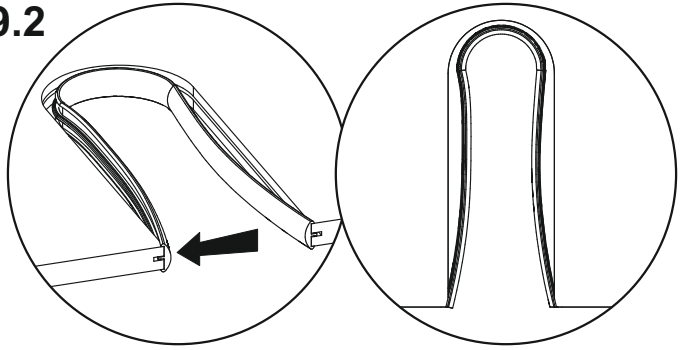
9



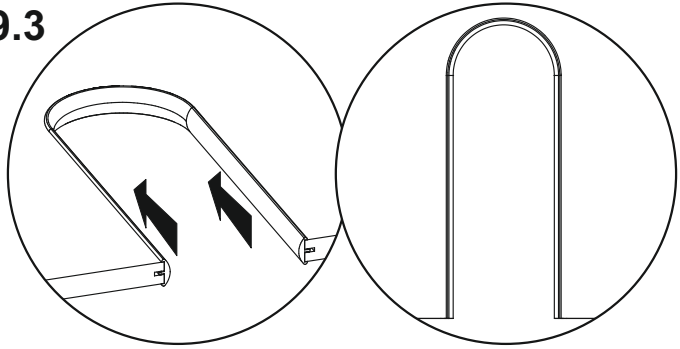
9.1



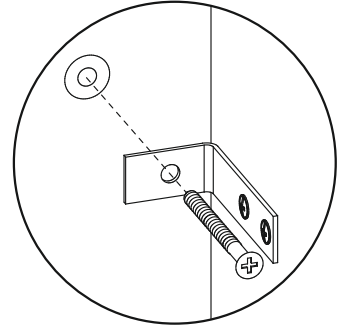
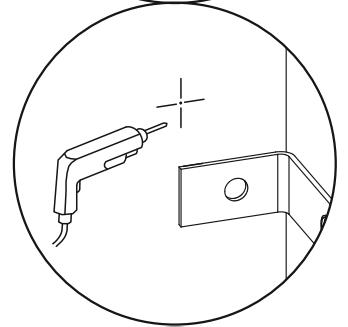
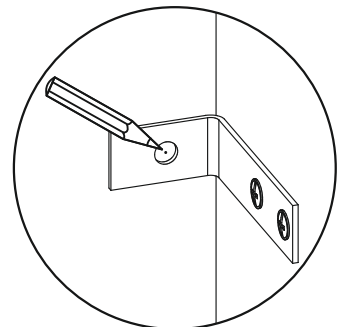
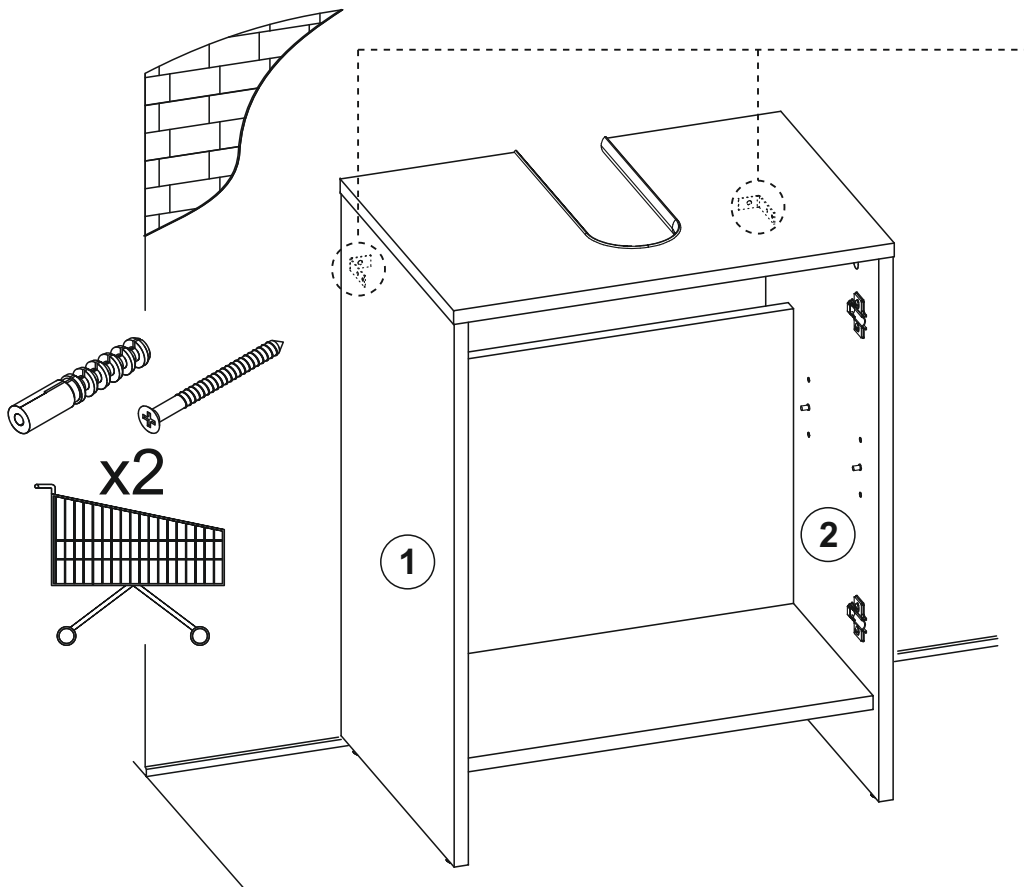
9.2



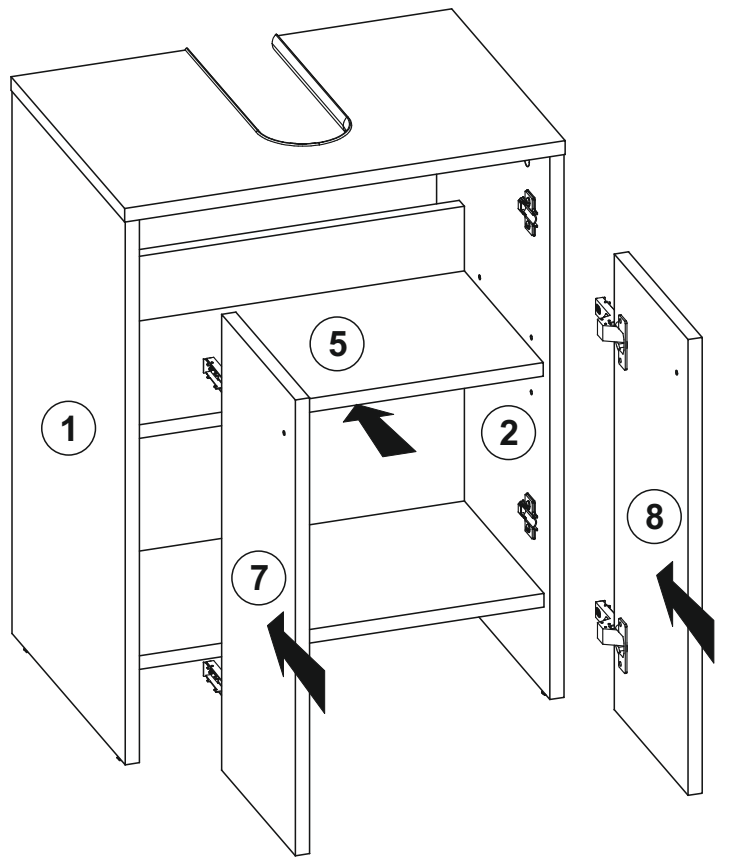
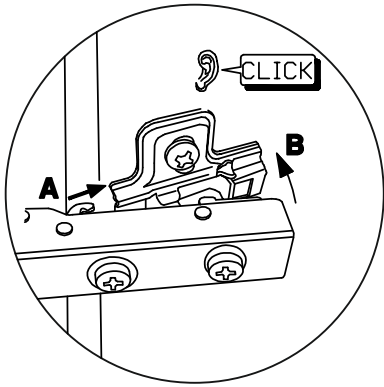
9.3



10



11



12

