

# ASSEMBLY GUIDE | GUIDE D'ASSEMBLAGE GUÍA DE MONTAJE | MONTAGEANLEITUNG | GUIDA DI MONTAGGIO



# PIT BOSS® NAVIGATOR

MODEL / MODÈLE / MODELO / MODELL / MODELLO : PB1150G  
PART / PIÈCE / PARTE / TEIL / PARTE : 10616



## WOOD PELLET GRILL & SMOKER

IMPORTANT, READ CAREFULLY, RETAIN FOR FUTURE REFERENCE. MANUAL MUST BE READ BEFORE OPERATING!

## FUMOIR ET GRIL À GRANULÉS DE BOIS

IMPORTANT, PRENEZ CONNAISSANCE DE CE DOCUMENT ET CONSERVEZ-LE POUR RÉFÉRENCE ULTÉRIEURE. VOUS DEVEZ LIRE CE GUIDE AVANT D'UTILISER LE BARBECUE!

## PARRILLA Y AHUMADOR DE PELLETS DE MADERA

IMPORTANTE, LEER DETENIDAMENTE, CONSERVAR PARA REFERENCIA FUTURA. LEA EL MANUAL ANTES DEL USO!

**WARNING:** PLEASE READ THE ENTIRE MANUAL BEFORE INSTALLATION AND USE OF THIS ELECTRIC, PELLET FUEL-BURNING APPLIANCE. FAILURE TO FOLLOW THESE INSTRUCTIONS COULD RESULT IN PROPERTY DAMAGE, BODILY INJURY OR EVEN DEATH. CONTACT LOCAL BUILDING OR FIRE OFFICIALS ABOUT RESTRICTIONS AND INSTALLATION INSPECTION REQUIREMENTS IN YOUR AREA.

**AVERTISSEMENT :** VEUILLEZ LIRE L'INTÉGRALITÉ DU MANUEL AVANT L'INSTALLATION ET L'UTILISATION DE CET APPAREIL ÉLECTRIQUE À COMBUSTION DE GRANULÉS DE BOIS. LE NON-RESPECT DE CES INSTRUCTIONS PEUT ENTRAÎNER DES DOMMAGES MATÉRIELS, DES DOMMAGES CORPORELS OU MÊME LA MORT. CONTACTEZ LES AUTORITÉS LOCALES COMPÉTENTES CONCERNANT LES RESTRICTIONS ET LES EXIGENCES D'INSPECTION EN VIGUEUR DANS VOTRE RÉGION.

**ADVERTENCIA:** LEA TODO EL MANUAL ANTES DE INSTALAR Y USAR ESTA UNIDAD QUE FUNCIONA CON ELECTRICIDAD Y COMBUSTIÓN DE PELLETS. SI NO SE SIGUEN ESTAS INSTRUCCIONES, PUEDEN PRODUCIRSE DAÑOS MATERIALES, LESIONES CORPORALES O INCLUSO LA MUERTE. PARA CONSULTAR LAS RESTRICCIONES Y REQUISITOS DE INSPECCIÓN DE LAS INSTALACIONES DE SU ZONA, PÓNGASE EN CONTACTO CON LOS ENCARGADOS DE EDIFICIO O EL DEPARTAMENTO DE BOMBEROS.

**ACHTUNG:** BITTE LESEN SIE DIE GESAMTE ANLEITUNG SORGFÄLTIG DURCH, BEVOR SIE DIESES ELEKTRISCHE, PELLETBEFEUERTER GERÄT INSTALLIEREN UND BENUTZEN. DIE NICHTBEACHTUNG DIESER ANWEISUNGEN KANN ZU SACHSCHÄDEN, KÖRPERVERLETZUNGEN ODER SOGAR ZUM TOD FÜHREN. WENDEN SIE SICH AN LOKALE BAU- ODER BRANDSCHUTZBEHÖRDEN, UM INFORMATIONEN ÜBER EINSCHRÄNKUNGEN UND ANFORDERUNGEN AN DIE INSTALLATIONSINSPEKTION IN IHRER NÄHE ZU ERHALTEN.

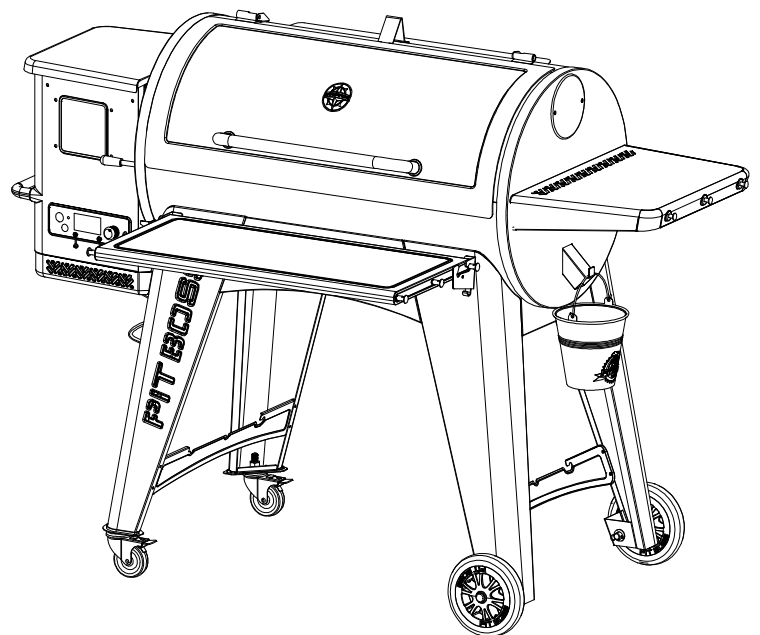
**AVVERTENZA:** LEGGERE L'INTERO MANUALE PRIMA DELL'INSTALLAZIONE E DELL'USO DI QUESTA APPARECCHIATURA ELETTRICA PER LA COMBUSTIONE DI PELLETTA. LA MANCATA OSSERVANZA DELLE ISTRUZIONI PUÒ CAUSARE DANNI ALLA PROPRIETÀ, LESIONI FISICHE O MORTE. CONTATTARE LE AUTORITÀ LOCALI COMPETENTI PER L'EDILIZIA O I VIGILI DEL FUOCO PER INFORMAZIONI SULLE RESTRIZIONI E SUI REQUISITI DI ISPEZIONE DEGLI IMPIANTI NELLA PROPRIA ZONA.

## HOLZPELLET-GRILL UND SMOKER

WICHTIG: AUFMERKSAM LESEN UND GUT AUFBEWAHREN BITTE UNBEDINGT VOR GEBRAUCH DIE BETRIEBSANLEITUNG SORGFÄLTIG DURCHLESEN!

## GRIGLIA A PELLETTA DI LEGNO CON AFFUMICATORE

IMPORTANTE: LEGGERE ATTENTAMENTE E CONSERVARE PER RIFERIMENTO FUTURO. LEGGERE IL MANUALE PRIMA DELL'USO.



For outdoor and household use only. Not for commercial use.  
Réservé à l'usage extérieur et résidentiel uniquement. Non destiné à un usage commercial.  
Solo para uso doméstico y en el exterior. No apto para uso comercial.  
Bitte nur im Freien und privat nutzen. Nicht für die gewerbliche Anwendung geeignet.  
Solo per uso domestico ed esterno. Non per uso commerciale.



#### COPYRIGHT NOTICE

Copyright 2021. All right reserved. No part of this manual may be copied, transmitted, transcribed, stored in a retrieval system, in any form or by any means without expressed written permission of,

#### Dansons

3411 North 5th Avenue, Suite 500, Phoenix, AZ, USA 85013  
 sales@pitboss-grills.com | service@pitboss-grills.com  
[www.pitboss-grills.com](http://www.pitboss-grills.com)

#### Customer Service

Monday through Sunday, 4am - 8pm PST (EN/FR/ES)  
**Toll-Free: 1-877-303-3134, Fax: 1-877-303-3135**

## TABLE OF CONTENTS

Parts & Specs.....	3
Assembly Preparation.....	5
Assembly Instructions	
Securing Feet To Support Legs.....	5
Securing Support Plates and Caster Wheels.....	5
Securing Support Plates and Wheels.....	6
Securing Support Plate To Support Legs For Wheels.....	6
Securing Support Plate To Support Legs For Casters.....	6
Mounting Main Barrel To The Cart.....	7
Securing Support Plates To The Grill.....	7
Installing The Lid Stopper.....	7
Installing The Lid Handle.....	8
Installing The Diffuser Plate.....	8
Installing The Flame Broiler Components.....	8
Installing Flame Broiler Adjusting Bar.....	9
Installing The Side Shelf.....	9
Securing The Front Shelf Brackets.....	9
Installing The Front Shelf.....	9
Installing The Grill Cooking Components.....	10
Installing Grease Bucket.....	10
Connecting To A Power Source.....	10

## PARTS & SPECS

Part#	Description
1	Lid Stopper (x1)
2	Lid Handle (x1)
3	Lid Handle Bezel (x2)
4	Main Barrel/Hopper Assembly (x1)
5	Flame Broiler Adjusting Bar (x1)
6	Flame Broiler Adjusting Bar Handle (x1)
7	Flame Broiler Slider (x1)
8	Flame Broiler Main Plate (x1)
9	Left Front Leg (x1)
10	Left Back Leg (x1)
11	Right Front Leg (x1)
12	Right Back Leg (x1)
13	Left Front Leg Trim Piece (x1)
14	Left Back Leg Trim Piece (x1)
15	Locking Caster Wheel (x2)
16	Wheel (x2)
17	Right Bottom Support Plate (x1)
18	Left Bottom Support Plate (x1)
19	Short Support Plate (x2)
20	Front Long Support Plate (x1)
21	Back Long Support Plate (x1)
22	Front Shelf (x1)
23	Diffuser Plate (x1)
24	Front Shelf Bracket Right (x1)
25	Front Shelf Bracket Left (x1)
26	Grease Bucket (x1)
27	Right Side Table (x1)
28	Cooking Grid A (x1)
29	Cooking Grid B (x2)
30	Warming Rack (x1)
31	Meat Probe (x2)

Part#	Description
32	Power Cord Clip (x1)
33	Power Cord - F Plug (x1)
34	Power Cord - G Plug (x1)
A	Screw (x18)
B	Washer (x18)
C	Locking Washer (x18)
D	Screw (x30)
E	Screw (x6)
F	Wheel Axle Pin (x2)
G	Wheel Cotter Pin (x2)
H	Wheel Washer (x2)

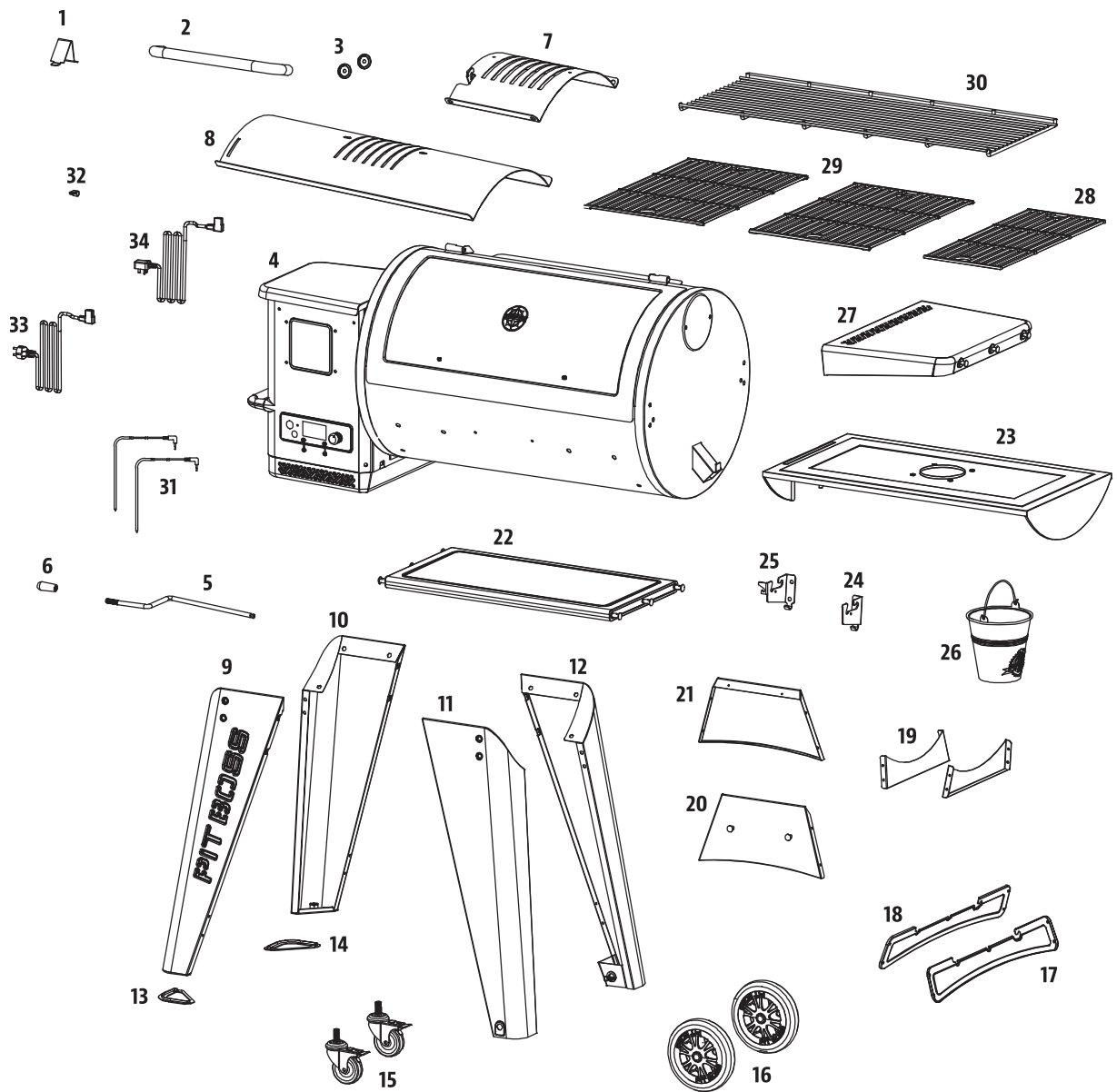
*NOTE: Due to ongoing product development, parts are subject to change without notice. Contact Customer Service if parts are missing when assembling the unit.*

### PB – ELECTRIC REQUIREMENTS

220-240 V, 50 Hz, 250 W, GROUNDED PLUG

Diagram Illustration on next page.

MODEL	UNIT ASSEMBLED (WxHxD)	UNIT WEIGHT	COOKING AREA	TEMP. RANGE	DIGITAL FEATURES
PB PB1150G	1,622mm x 1,195mm x 940mm / 63.86" x 47" x 37"	84 kg / 185.19 lb	Main - 4,587.1 cm <sup>2</sup> / 711 sq. in. Upper Rack - 2,883.9 cm <sup>2</sup> / 447 sq. in. <b>TOTAL - 7,471 cm<sup>2</sup> / 1158 sq. in.</b>	82-260°C / 180-500°F	Ten temperature presets, start-up and cool-down cycles, electric igniter



## ASSEMBLY PREPARATION

Parts are located throughout the shipping carton, including underneath the grill. Inspect the grill, parts, and hardware blister pack after removing from the protective shipping carton. Discard all packaging materials from inside and outside of the grill before assembly, then review and inspect all parts by referencing the parts list. If any part is missing or damaged, do not attempt to assemble. Shipping damage is not covered under warranty. Contact your dealer or Pit Boss® Customer Service for parts: Monday through Sunday, 4am - 8pm PST (EN/FR/ES).

**service@pitboss-grills.com | Toll-Free: 1-877-303-3134 | Toll-Free Fax: 1-877-303-3135**

**IMPORTANT: To ease installation and avoid injury, use two people when assembling this appliance.**

**Tools required for assembly:** screwdriver and level. *Tools not included.*



## ASSEMBLY INSTRUCTIONS

**IMPORTANT: It is advised to read each step entirely before starting assembly on instructions. Do not tighten screws completely until all screws for that step have been installed. Hardware combination involving a locking washer and washer should be installed with the locking washer closest to the head of the screw.**

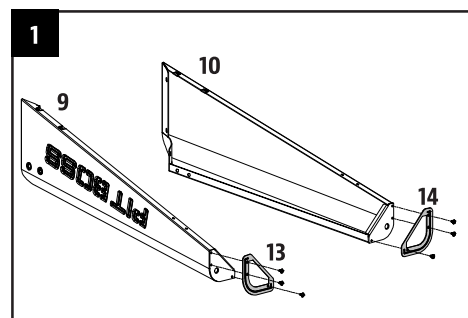
### 1. SECURING FEET TO SUPPORT LEGS

#### Parts Required:

- 1 x Left Front Leg (#9)
- 1 x Left Back Leg (#10)
- 1 x Left Front Leg Trim Piece (#13)
- 1 x Left Back Leg Trim Piece (#14)
- 6 x Screw (#D)

#### Installation:

- Use three screws to attach the Left Front Leg Trim Piece to the Left Front Leg for locking caster wheel. Continue to install the Left Back Leg for locking caster wheel and Left Back Leg Trim Piece.



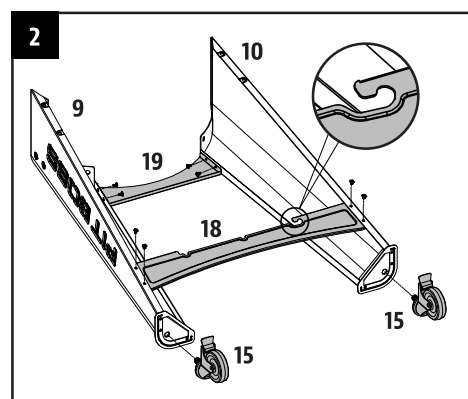
### 2. SECURING SUPPORT PLATES AND CASTER WHEELS

#### Parts Required:

- 1 x Left Front Leg (#9)
- 1 x Left Back Leg (#10)
- 1 x Left Bottom Support Plate (#18)
- 1 x Short Support Plate (#19)
- 2 x Swivel Caster with Brake (#15)
- 8 x Screw (#D)

#### Installation:

- Install one Short Support Plate to the side of the unit between of a Front and Back Support Legs using four screws. Repeat the same installation to mount the Bottom Support Plate to the same legs.
- Insert each Locking Caster Wheel into the Bottom of each Support Leg by hand-tightening into the hole. Ensure the Locking Caster Wheel is inserted completely by ensuring it cannot rotate any further.



**NOTE: Make sure Bottom Support Plate is facing up with correct direction.**

### 3. SECURING SUPPORT PLATES AND WHEELS

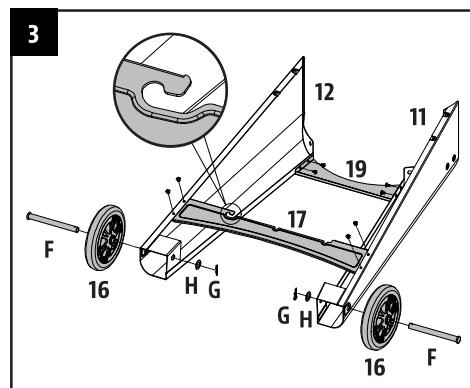
**Parts Required:**

- 1 x Right Front Leg (#11)
- 1 x Right Back Leg (#12)
- 1 x Right Bottom Support Plate (#17)
- 1 x Short Support Plate (#19)
- 2 x Wheel (#16)
- 8 x Screw (#D)
- 2 x Wheel Axle Pin (#F)
- 2 x Wheel Cotter Pin (#G)
- 2 x Wheel Washer (#H)

**Installation:**

- Install one Short Support Plate to the side of the unit between of a Front and Back Support Legs using four screws. Repeat the same installation to mount the Bottom Support Plate to the same legs.
- Attach the large Wheel to the Support Leg by inserting the Wheel Axle Pin through the Wheel Support Leg hole, then secure using the Wheel Cotter Pin. Repeat installation for other Wheel on the same side.

**NOTE: Make sure Bottom Support Plate is facing up with correct direction.**



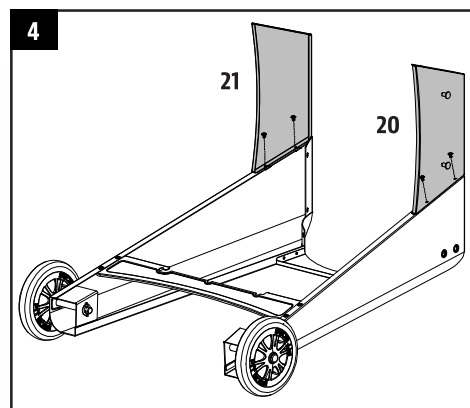
### 4. SECURING SUPPORT PLATE TO SUPPORT LEGS FOR WHEELS

**Parts Required:**

- 1 x Front Long Support Plate (#20)
- 1 x Back Long Support Plate (#21)
- 4 x Screw (#D)

**Installation:**

- Secure one Long Support Plate to one Support Leg for Wheel using two screws. Ensure the flat side of the Support Plate is facing outwards. Repeat the same installation to mount the other Long Support Plate to the other Support Leg.



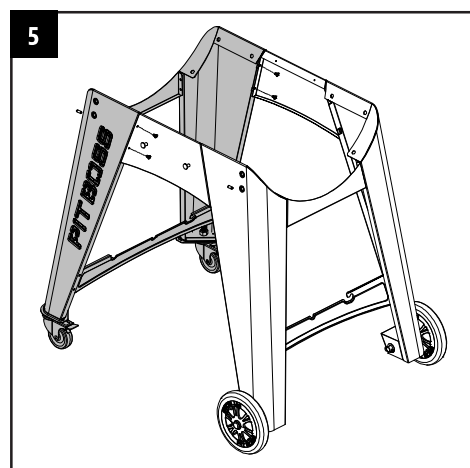
### 5. SECURING SUPPORT PLATE TO SUPPORT LEGS FOR CASTERS

**Parts Required:**

- 4 x Screw (#D)

**Installation:**

- Next, Secure the Long Support Plates to the Support Legs for Caster Wheel. Secure using two screws for each plate.



## 6. MOUNTING MAIN BARREL TO THE CART

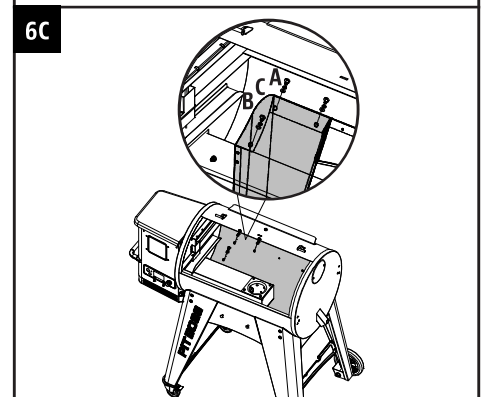
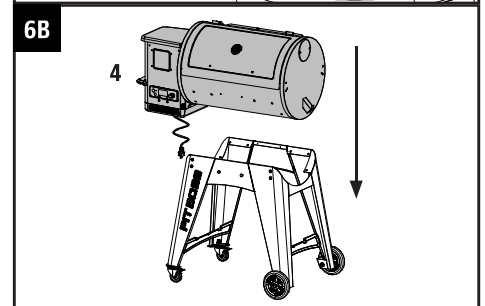
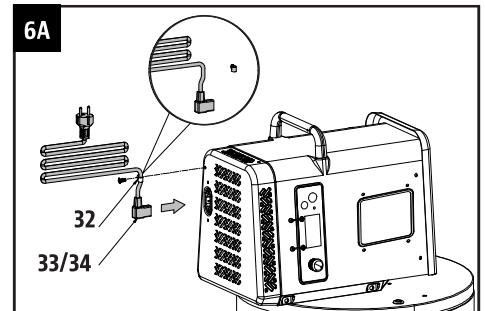
### Parts Required:

- 1 x Main Barrel (#4)
- 12 x Screw (#A)
- 12 x Washer (#B)
- 12 x Locking Washer (#C)
- 1 x Power Cord (#33 or #34)
- 1 x Cable Clip (#32)

### Installation:

*NOTE: There are two Power Cords supplied. Select the Power Cord that is required for your region.*

- Place the cable clips on the correct power cord. Insert the power cord into the groove at the bottom of the hopper. Secure the cable clip to the bottom of the hopper with the previously installed screw. Note Illustration 6A.
- Prepare the Main Barrel to be mounted to the Cart. Carefully, lift the Cart into an upright position with the wheels on the bottom. Position the Cart next to the Main Barrel, with both facing the same direction. Lock the Caster Wheels on the Cart. Using a second person, prepare to lift the Main Barrel onto the Cart. With one person lifting from the hopper side, and the other person lifting from the opposing barrel end, carefully lift the Main Barrel, and slowly lower onto the Cart. Note illustration 6B.
- Next, open the Main Barrel lid. Adjust the rotation as needed to align the screw holes of the Main Barrel to the Cart. Once placed, secure each leg to the Main Barrel using three screws, washers, and locking washers. Note illustration 6C.



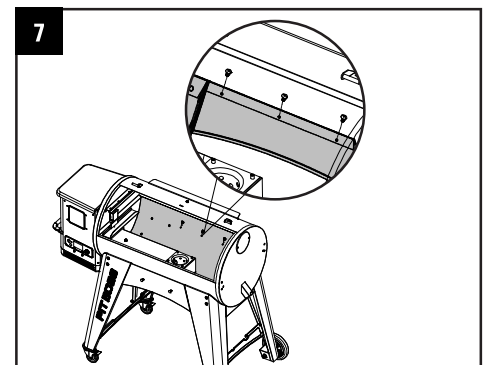
## 7. SECURING SUPPORT PLATES TO THE GRILL

### Parts Required:

- 6 x Screw (#E)

### Installation:

- Secure each Long Support Plate to the Main Barrel using three screws.



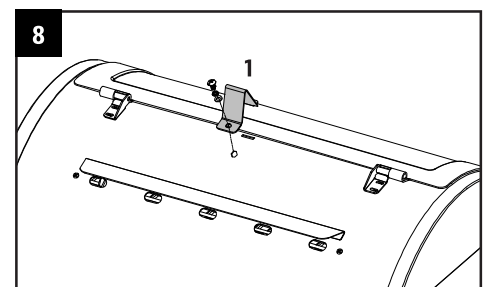
## 8. INSTALLING THE LID STOPPER

### Parts Required:

- 1 x Lid Stopper (#1)

### Installation:

- Secure the Lid Stopper onto the top of the Main Barrel using the pre-installed screw on top of the Main Barrel.



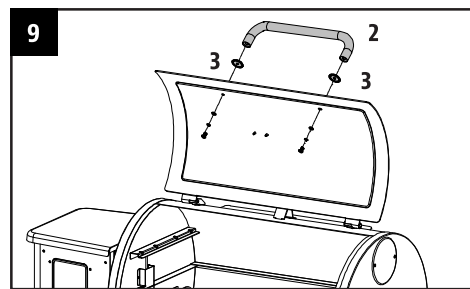
## 9. INSTALLING THE LID HANDLE

### Parts Required:

- 1 x Lid Handle (#2)
- 2 x Lid Handle Bezel (#3)

### Installation:

- Remove the pre-installed screws from the Lid Handle. From inside the barrel lid, insert one screw protrude to the outside. Add a Bezel on the screw. Then hand-tighten the screw (from the inside) into the Lid Handle. Repeat for other side.



## 10. PLACING THE DIFFUSER PLATE

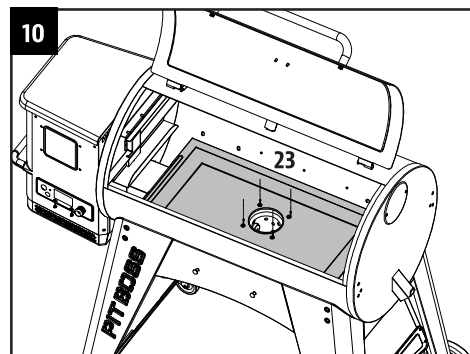
### Parts Required:

- 1 x Diffuser Plate (#23)

### Installation:

- Replace the Diffuser Plate in Main Barrel.

**NOTE:** Make sure the four holes of the Diffuser Plate are aligned properly with four screws of the burn pot.



## 11. INSTALLING THE FLAME BROILER COMPONENTS

### Parts Required:

- 1 x Flame Broiler Main Plate (#8)
- 1 x Flame Broiler Slider (#7)

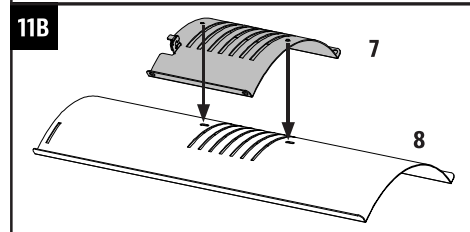
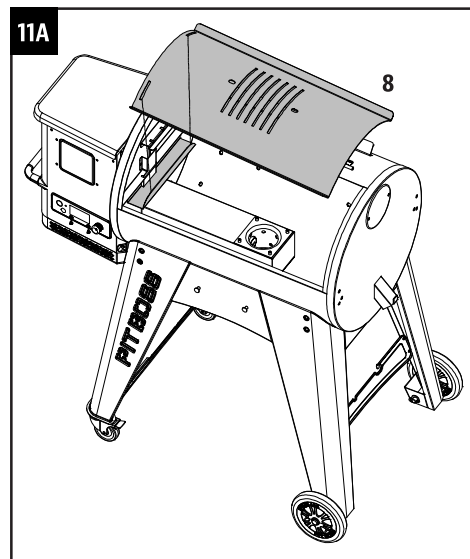
### Installation:

- Insert the Flame Broiler Main Plate into the main grill. Rest the Flame Broiler Main Plate on the built-in ledge (on the inside right) of the Main Grill that directs grease towards the grease bucket spout. Slide the entire piece to the left side, and the two slots on the Flame Broiler Main Plate will fit into the rounded ledge above the burn pot. It will sit slightly at a downward angle. Note illustration 11A.

**IMPORTANT:** If the Main Plate is resting on the base of the Barrel, it is installed incorrectly. Poor installation may result in damage to your Main Grill Barrel.

- Place the Flame Broiler Slider on top of the Flame Broiler Main Plate covering the slotted openings. Ensure the raised tab is on the left and the two pins at the bottom of the Flame Broiler Slider place into the holes of the Flame Broiler Main Plate to easily adjust for direct and indirect flame when cooking. Both flame broiler parts are lightly coated with oil to avoid rusting when shipped. Note illustration 11B.

**NOTE:** To maintain the searing and grilling performance of your cooking grids, regular care and maintenance is required. See Owner's Manual.





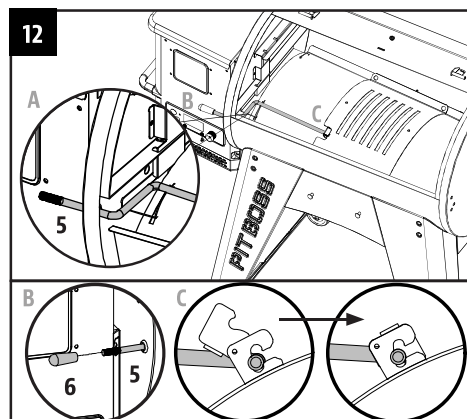
## 12. INSTALLING FLAME BROILER ADJUSTING BAR

### Parts Required:

- 1 x Flame Broiler Adjusting Bar (#5)
- 1 x Flame Broiler Adjusting Bar Handle (#6)

### Installation:

- Insert the Flame Broiler Adjusting Bar through the opening hole on the left side of the Main Barrel. Add the Flame Broiler Adjusting Bar Handle on the end outside the Barrel. Next, slide the notched end of the Adjusting Bar into the locking tab on the Flame Broiler Slider, giving you adjustable access to the Flame Broiler Slider on the Main Plate.



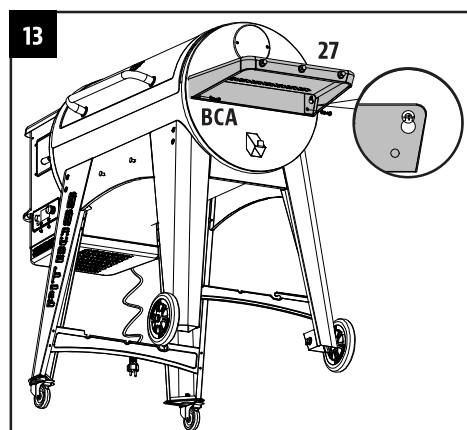
## 13. INSTALLING THE SIDE SHELF

### Parts Required:

- 1 x Side Table (#27)
- 2 x Screw (#A)
- 2 x Washer (#B)
- 2 x Locking Washer (#C)

### Installation:

- Loosen the two pre-installed screws from the side of the Main Barrel. Hook up the Side Shelf on the screws first then secure the two pre-loosened screws into place.
- From underneath, secure the Side Shelf to the side panel of the Main Barrel using two screws, washers, and locking washers.



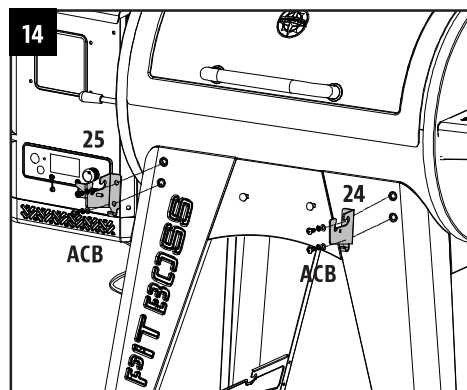
## 14. SECURING THE FRONT SHELF BRACKETS

### Parts Required:

- 1 x Front Shelf Bracket Right (#24)
- 1 x Front Shelf Bracket Left (#25)
- 4 x Screw (#A)
- 4 x Washer (#B)
- 4 x Locking Washer (#C)

### Installation:

- Secure each Front Shelf Support Bracket onto the Front Support Leg by using two screws, washers and locking washers.



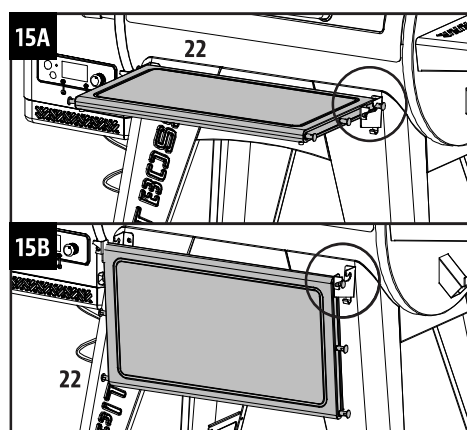
## 15. INSTALLING THE FRONT SHELF

### Parts Required:

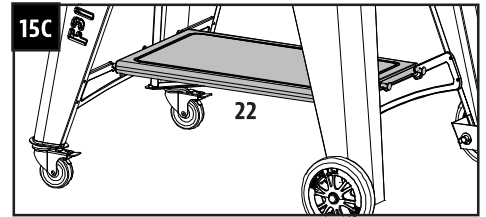
- 1 x Front Shelf (#22)

### Installation:

- Place the Front Shelf on the Front Shelf Support Brackets. Note illustration 15A as unfolded Front Shelf.
- Note illustration 15B as folded Front Shelf.



- Front Shelf can also be placed on the Bottom Support Plates and be used as Bottom Plate. Note illustration 15C.



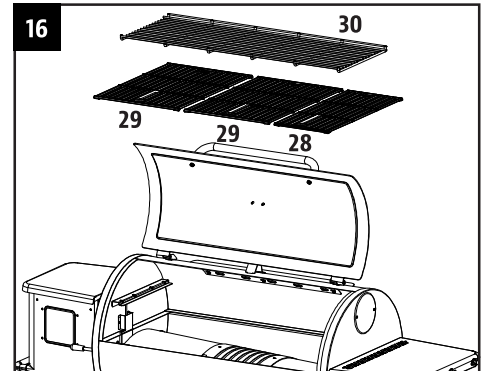
## 16. INSTALLING THE GRILL COOKING COMPONENTS

### Parts Required:

- 1 x Cooking Grid A (#28)
- 2 x Cooking Grid B (#29)
- 1 x Porcelain-Coated Steel Upper Warming Rack (#30)

### Installation:

- Place the Cooking Grids, side by side, on the grid ledge inside the Main Grill.
- Place the Upper Cooking Rack on the upper ledge inside the Main Grill. The Warming Rack will lock into place.



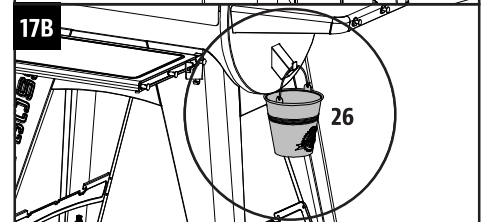
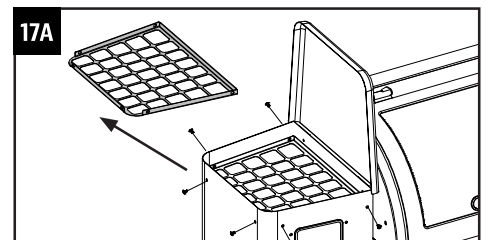
## 17. INSTALLING THE GREASE BUCKET

### Parts Required:

- 1 x Grease Bucket (#26)

### Installation:

- Unscrew the six screws along the outside of the Hopper that secure the Hopper Safety Screen to the interior and remove the safety screen to access the Grease Bucket. Replace the Hopper Safety Screen and re-install the six screws to secure. Note illustration 17A.
- Place the Grease Bucket on the spout hook on the end of the Main Barrel. Ensure it is level to avoid grease spills. Note illustration 17B.
- The unit is now completely assembled.



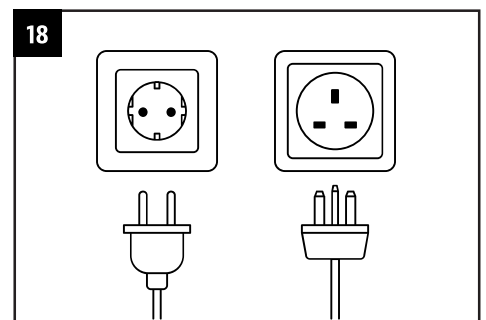
## 18. CONNECTING TO A POWER SOURCE

**NOTE:** Before plugging your Pit Boss® into any electrical outlet, ensure the temperature dial is in the OFF position.

- **STANDARD OUTLET**  
This appliance requires 220-240 volts, 50hz, 250w service. It must be a grounded plug.

**IMPORTANT:** Disconnect unit from power source when not in use.

**IMPORTANT:** Refer to Owner's Manual for Operating Instructions





## IMPORTANT

### DO NOT RETURN PRODUCT TO STORE

For all questions, comments, or inquiries, please contact Dansons directly. Our Customer Service department is available Monday through Sunday, 4am - 8pm PST (EN/FR/ES).

**TOLL FREE: 1-877-303-3134**

**TOLL FREE FAX: 1-877-303-3135**

## IMPORTANT

### NE RETOURNEZ PAS LE PRODUIT AU MAGASIN

Pour toute questions, commentaires ou demandes de renseignements, veuillez communiquer avec Dansons directement. Le service à la clientèle est ouvert du lundi au dimanche, de 4 h à 20 h HP (ANG / FR / ES).

**NUMÉRO SANS FRAIS : 1-877-303-3134**

**TÉLÉCOPIEUR SANS FRAIS : 1-877-303-3135**

## ¡IMPORTANTE!

### NO DEVUELVA EL PRODUCTO A LA TIENDA

Para el preguntas, comentarios o consultas, por favor contactar Dansons directamente. Nuestro departamento de servicio al cliente está disponible lunes a viernes de 4:00 a.m. a 8:00 p.m. tiempo del Pacífico.

**LLAMADA GRATUITA: 1-877-303-3134**

**FAX GRATUITO: 1-877-303-3135**

## WICHTIG

### PRODUKT NICHT INS LAGER ZURÜCKSCHICKEN

Bei Fragen, Kommentaren oder Anfragen wenden Sie sich bitte direkt an Dansons. Unsere Kundendienstabteilung ist montags bis sonntags von 4 bis 20 Uhr PST (EN/FR/ES) erreichbar.

**GEBÜHRENFREI: 1-877-303-3134**

**GEBÜHRENFREIES FAX: 1-877-303-3135**

## IMPORTANTE

### NON RESTITUIRE QUESTO PRODOTTO AL NEGOZIO

Per ogni domanda, commento o richiesta, rivolgersi direttamente a Dansons. Il nostro ufficio per l'Assistenza alla clientela è a disposizione da lunedì a domenica, dalle 4 alle 20, fuso orario Pacifico (inglese/francese/spagnolo).

**NUMERO VERDE: 1-877-303-3134**

**NUMERO VERDE FAX: 1-877-303-3135**

MADE IN CHINA | FABRIQUÉ EN CHINE | HECHO EN CHINA  
IN CHINA HERGESTELLT | FABBRICATO IN CINA



780210427UMV

