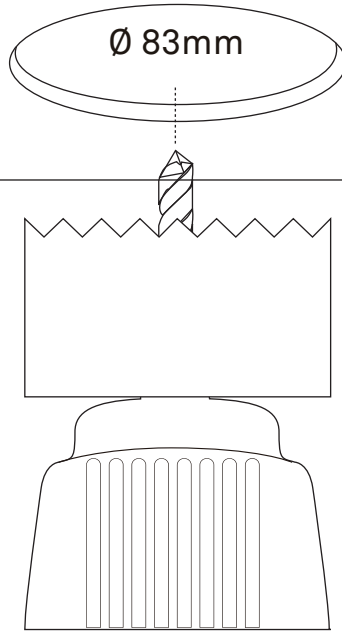
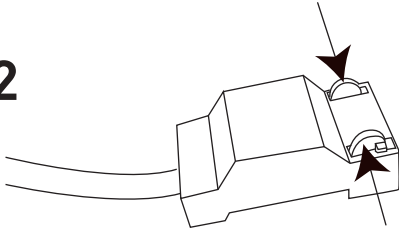


162588-162592-162600-162602-162608-162625-
162656-162699-162709-162734

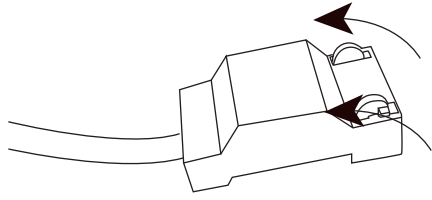
1



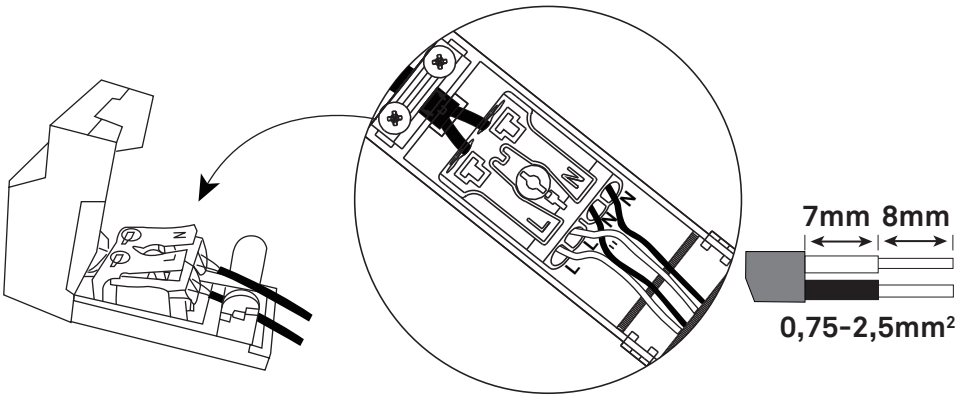
2



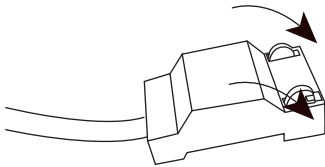
①



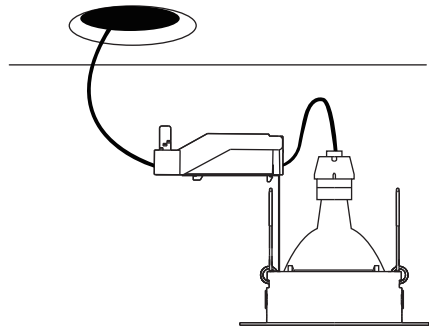
②



③

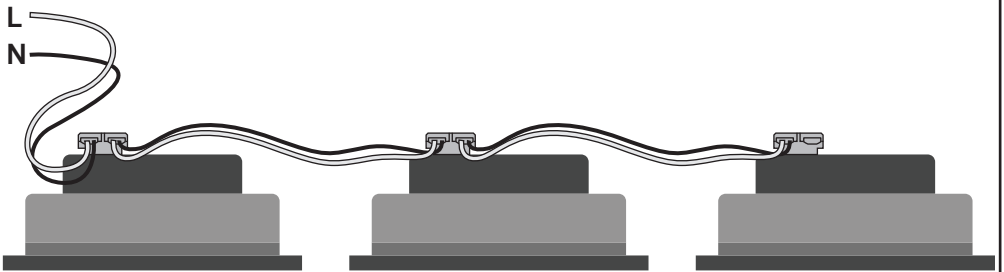


④

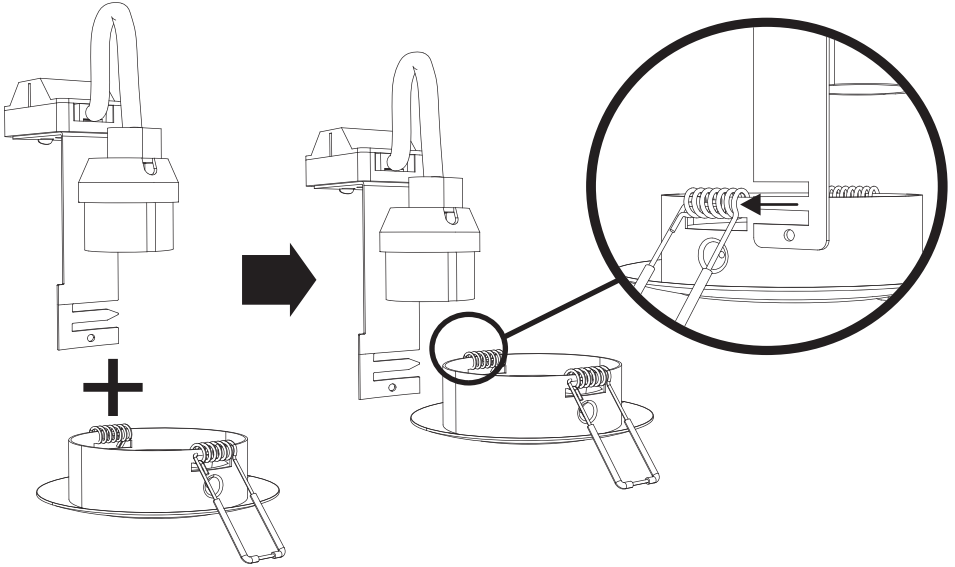


⑤

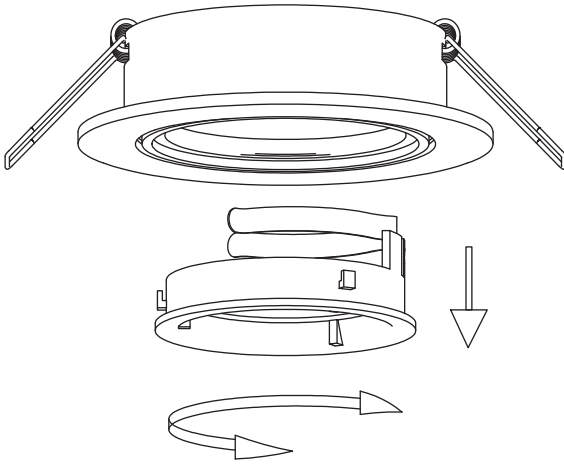
3



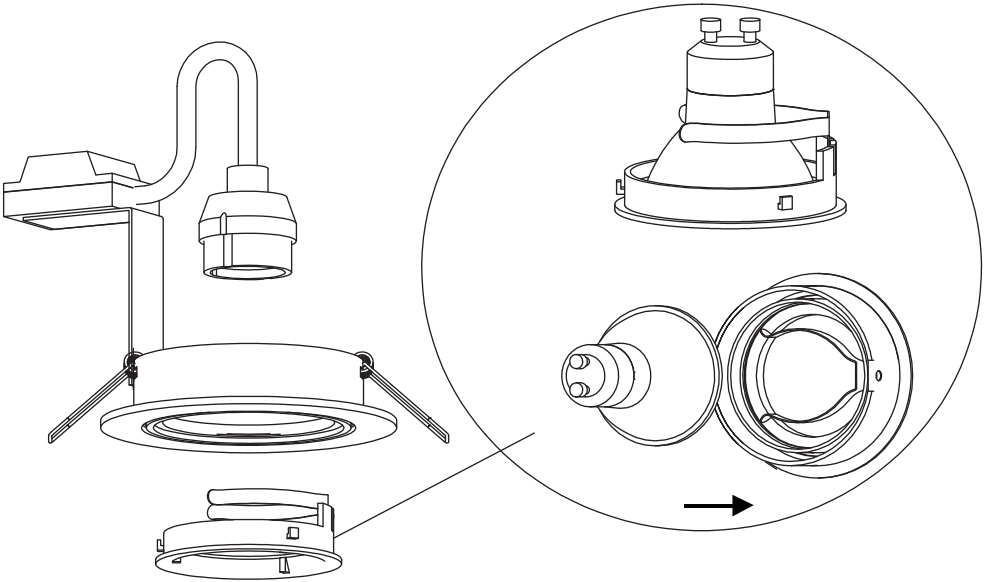
4



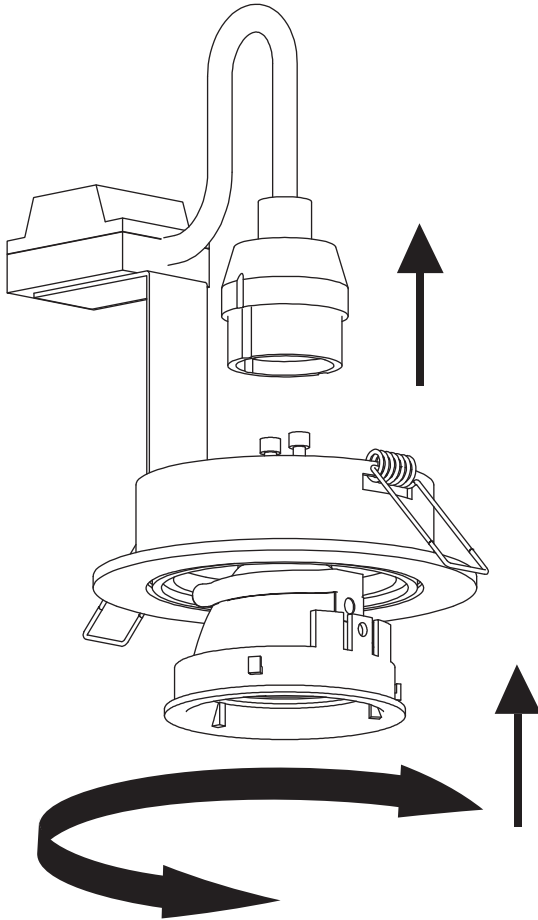
5



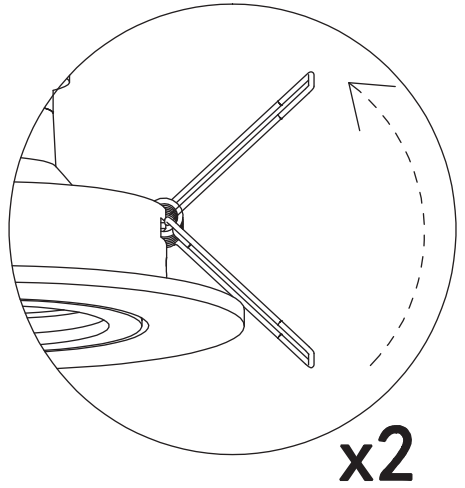
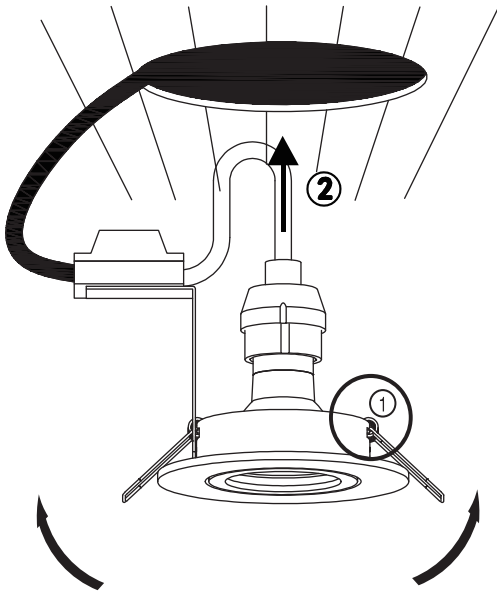
6



7

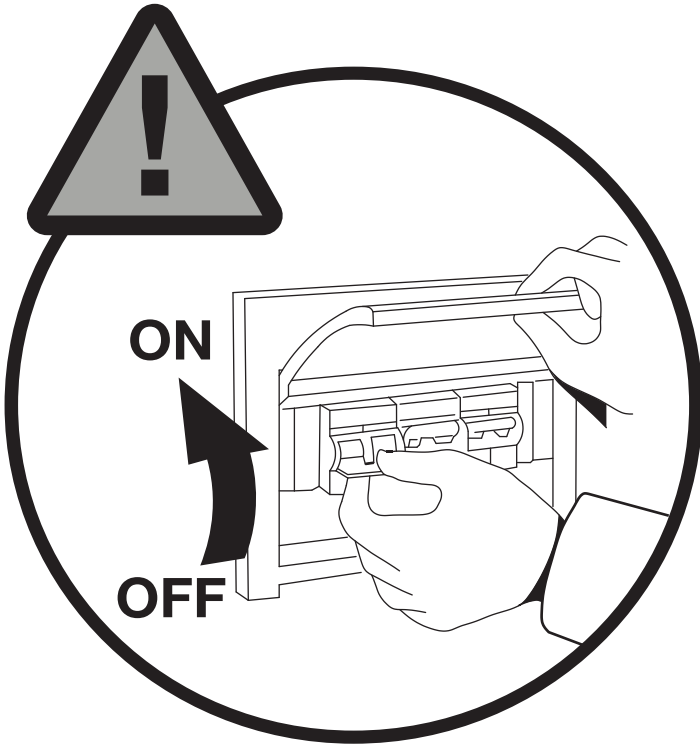


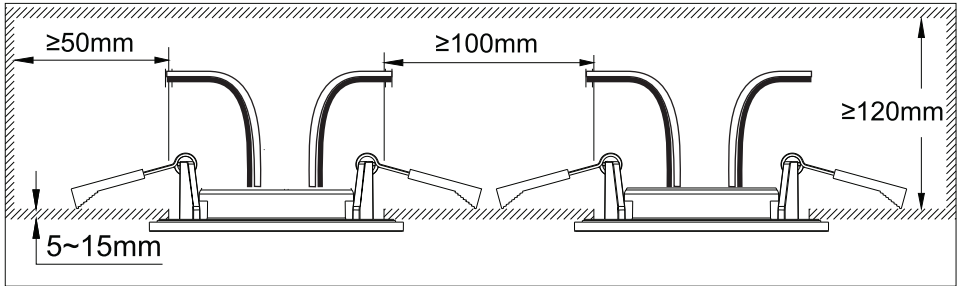
8



x2

9





	<p>Waste electrical products should not be disposed of with household waste. Please recycle where facilities exist. Check with your Local Authority or local store for recycling advice.</p>
	<p>Conformity with all relevant EC Directive requirements.</p>
	<p>Class II product - Double Insulated - No earth required.</p>
	<p>Luminaires not suitable for covering with thermally insulating material.</p>
<p>Warning The light source of this luminaire is not replaceable; when the light source reaches its end of life the whole luminaire shall be replaced. All fittings must be installed by a competent person in accordance with local regulation.</p>	

