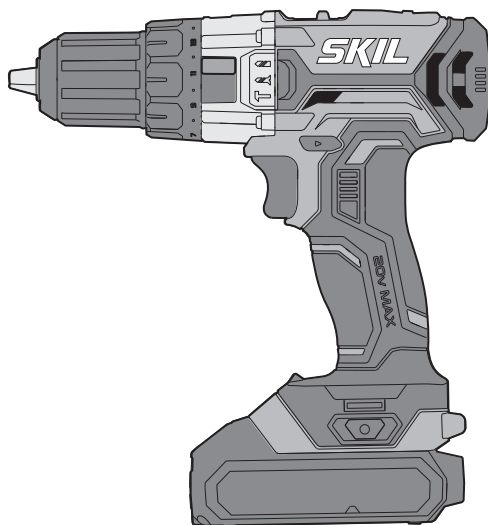


SKIL®



CORDLESS IMPACT DRILL/DRIVER

3018 (CD1*3018)**

3020 (CD1*3020)**



GB	ORIGINAL INSTRUCTIONS	8	UA	ОРИГІНАЛЬНА ІНСТРУКЦІЯ З ЕКСПЛУАТАЦІЇ	72
F	NOTICE ORIGINALE	11	GR	ΠΡΟΤΟΤΥΠΟ ΟΔΗΓΙΩΝ ΧΡΗΣΗΣ	77
D	ORIGINALBETRIEBSANLEITUNG	15	RO	INSTRUCȚIUNI DE FOLOSIRE ORIGINALE	81
NL	ORIGINELE GEBRUIKSAANWIJZING	20	BG	ОРИГИНАЛНО РЪКОВОДСТВО ЗА ЕКСПЛОАТАЦИЯ	85
S	BRUKSANVISNING I ORIGINAL	24	SK	PŮVODNÝ NÁVOD NA POUŽITIE	90
DK	ORIGINAL BRUGSANVISNING	28	HR	ORIGINALNE UPUTE ZA RAD	94
N	ORIGINAL BRUKSANVISNING	31	SRB	ORIGINALNO UPUTSTVO ZA RAD	98
FIN	ALKUPERÄISET OHJEET	35	SLO	IZVIRNA NAVODILA	101
E	MANUAL ORIGINAL	39	EST	ALGUPÄRANE KASUTUSJUHEND	105
P	MANUAL ORIGINAL	43	LV	ORIĢINĀLĀ LIETOŠANAS PAMĀCĪBA	109
I	ISTRUZIONI ORIGINALI	47	LT	ORIGINALI INSTRUKCIJA	113
H	EREDETI HASZNÁLATI UTASÍTÁS	51	MK	ИЗБОРНО УПАТСТВО ЗА РАБОТА	117
CZ	PŮVODNÍM NÁVODEM K POUŽÍVÁNÍ	55	AL	UDHËZIMET ORIGINALE	121
TR	ORIJİNAL İŞLETME TALİMATI	59	AR	دليل الاستعمال	131
PL	INSTRUKCJA ORYGINALNA	63	FA	راهنمای اصلی	129
RU	ПОДЛИННИК РУКОВОДСТВА ПО ЭКСПЛУАТАЦИИ	67			



EAC



www.skil.com

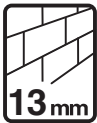
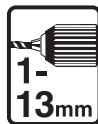
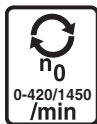
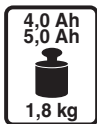
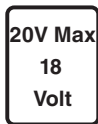


<p>(GB)</p>	<p>EU Declaration of conformity</p> <p>Cordless impact drill/driver Article number</p>	<p>We declare under our sole responsibility that the stated products comply with all applicable provisions of the directives and regulations listed below and are in conformity with the following standards.</p> <p>Technical file at: ★</p>
<p>(F)</p>	<p>Déclaration de conformité UE</p> <p>Perceuse à percussion/visseuse sans fil Numéro d'article</p>	<p>Nous déclarons sous notre propre responsabilité que les produits décrits sont en conformité avec les directives, règlements normatifs et normes énumérés ci-dessous.</p> <p>Dossier technique auprès de: ★</p>
<p>(D)</p>	<p>EU-Konformitätserklärung</p> <p>Akku-Schlagbohrmaschine-/Schrauber Sachnummer</p>	<p>Wir erklären in alleiniger Verantwortung, dass die genannten Produkte allen einschlägigen Bestimmungen der nachfolgend aufgeführten Richtlinien und Verordnungen entsprechen und mit folgenden Normen übereinstimmen.</p> <p>Technische Unterlagen bei: ★</p>
<p>(NL)</p>	<p>EU-conformiteitsverklaring</p> <p>Oplaadbare klopboor-/schroefmachine Productnummer</p>	<p>Wij verklaren op eigen verantwoordelijkheid dat de genoemde producten voldoen aan alle desbetreffende bepalingen van de hierna genoemde richtlijnen en verordeningen en overeenstemmen met de volgende normen.</p> <p>Technisch dossier bij: ★</p>
<p>(S)</p>	<p>EU-konformitetsförklaring</p> <p>Sladdlös slagbormaskin/skruvdragare Produktnummer</p>	<p>Vi förklarar under eget ansvar att de nämnda produkterna uppfyller kraven i alla gällande bestämmelser i de nedan angivna direktiven och förordningarnas och att de stämmer överens med följande normer.</p> <p>Teknisk dokumentation: ★</p>
<p>(DK)</p>	<p>EU-overensstemmelseserklæring</p> <p>Akkuslagbore-/skruemaskine Typenummer</p>	<p>Vi erklærer som eneansvarlige, at det beskrevne produkt er i overensstemmelse med alle gældende bestemmelser i følgende direktiver og forordninger og opfylder følgende standarder.</p> <p>Tekniske bilag ved: ★</p>
<p>(N)</p>	<p>EU-samsvarserklæring</p> <p>Oppladbar slagbormaskin/skrutrekker Produktnummer</p>	<p>Vi erklærer under eneansvar at de nevnte produktene er i overensstemmelse med alle relevante bestemmelser i direktivene og forordningene nedenfor og med følgende standarder.</p> <p>Teknisk dokumentasjon hos: ★</p>
<p>(FIN)</p>	<p>EU-vaatimustenmukaisuusvakuutus</p> <p>Akkuruuviviväänin-/iskuporakone Tuotenumero</p>	<p>Vakuutamme täten, että mainitut tuotteet vastaavat kaikkia seuraavien direktiivien ja asetusten asiaankuuluvia vaatimuksia ja ovat seuraavien standardien vaatimusten mukaisia.</p> <p>Tekniset asiakirjat saatavana: ★</p>
<p>(E)</p>	<p>Declaración de conformidad UE</p> <p>Taladradora percutor/atornilladora sin cable Número de artículo</p>	<p>Declaramos bajo nuestra exclusiva responsabilidad, que los productos nombrados cumplen con todas las disposiciones correspondientes de las directivas y los reglamentos mencionados a continuación y están en conformidad con las siguientes normas.</p> <p>Documentos técnicos de: ★</p>
<p>(P)</p>	<p>Declaração de conformidade CE</p> <p>Berbequim de percussão/aparafusadora sem fio Número do produto</p>	<p>Declaramos sob nossa exclusiva responsabilidade que os produtos mencionados cumprem todas as disposições e os regulamentos indicados e estão em conformidade com as seguintes normas.</p> <p>Documentação técnica pertencente a: ★</p>
<p>(I)</p>	<p>Dichiarazione di conformità UE</p> <p>Trapano-avvitatore a percussione senza filo Codice prodotto</p>	<p>Dichiariamo sotto la nostra piena responsabilità che i prodotti indicati sono conformi a tutte le disposizioni pertinenti delle direttive e dei regolamenti elencati di seguito, nonché alle seguenti normative.</p> <p>Documentazione tecnica presso: ★</p>
<p>(H)</p>	<p>EU konformitási nyilatkozat</p> <p>Akkumulátoros ütvefűrő/csavarózó Cikkszám</p>	<p>Egyedüli felelőséggel kijelentjük, hogy a megnevezett termékek megfelelnek az alábbiakban felsorolásra kerülő irányelvek és rendeletek valamennyi idevágó előírásainak és megfelelnek a következő szabványoknak.</p> <p>Műszaki dokumentumok megőrzési pontja: ★</p>
<p>(CZ)</p>	<p>EU prohlášení o shodě</p> <p>Akumulátorový příklepová vrtačka/srůbovák Objednáací číslo</p>	<p>Prohlašujeme na výhradní zodpovědnost, že uvedený výrobek splňuje všechna příslušná ustanovení níže uvedených směrnic a nařízení a je v souladu s následujícími normami.</p> <p>Technické podklady u: ★</p>
<p>(TR)</p>	<p>AB Uygunluk beyanı</p> <p>Aküü darbeli delme/vidalama makinesi Ürün kodu</p>	<p>Tek sorumlu olarak, tanımlanan ürünün aşağıdaki yönetmelik ve direktiflerin geçerli bütün hükümlerine ve aşağıdaki standartlara uygun olduğunu beyan ederiz.</p> <p>Teknik belgelerin bulunduğu yer: ★</p>
<p>(PL)</p>	<p>Deklaracja zgodności UE</p> <p>Akumulatorowa wiertarka udarowa/wkrętarka Numer katalogowy</p>	<p>Oświadczamy z pełną odpowiedzialnością, że niniejsze produkty odpowiadają wszystkim wymaganiom poniżej wyszczególnionych dyrektyw i rozporządzeń, oraz że są zgodne z następującymi normami.</p> <p>Dokumentacja techniczna: ★</p>
<p>(RU)</p>	<p>Заявление о соответствии ЕС</p> <p>Аккумуляторная ударная дрель-шуруповерт Товарный номер</p>	<p>Мы заявляем под нашу единоличную ответственность, что названные продукты соответствуют всем действующим предписаниям нижеуказанных директив и распоряжений, а также нижеуказанных норм.</p> <p>Техническая документация хранится у: ★</p>
<p>(UA)</p>	<p>Заява про відповідність ЄС</p> <p>Бездротова ударная дріль/винрутка Товарний номер</p>	<p>Мизаявляємо під нашу одноособову відповідальність, що названі вироби відповідають усім чинним положенням нищезначених директив і розпоряджень, а також нищезначеним нормам.</p> <p>Технічна документація зберігається у: ★</p>

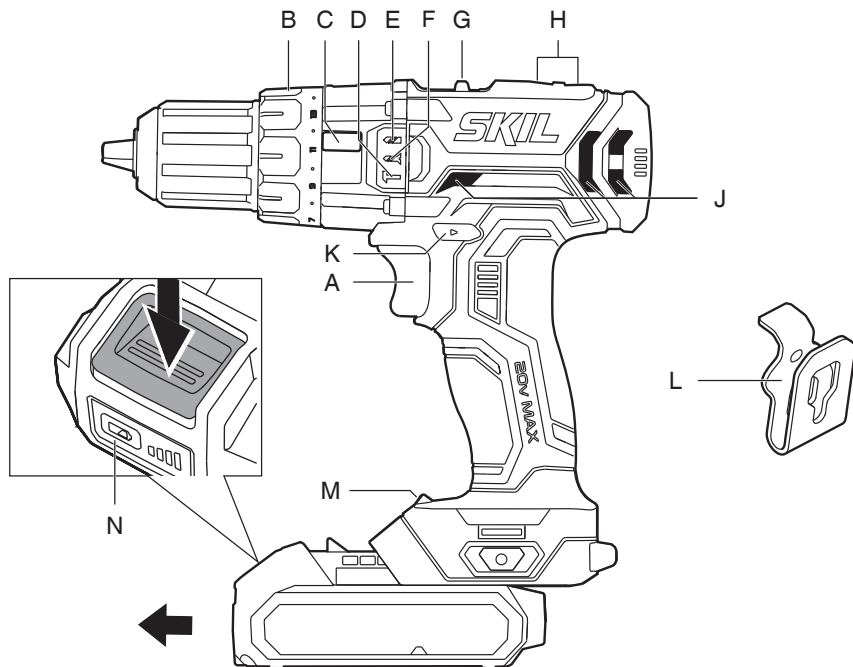
<p>(GR)</p>	<p>Δήλωση πιστότητας ΕΕ Επαναφορτιζόμενο κρούστικο δράπανο/κατσάβιδο</p>	<p>Αριθμός ευρετηρίου</p>	<p>Δηλώνουμε με αποκλειστική μας ευθύνη, ότι τα αναφερόμενα προϊόντα αντιστοιχούν σε όλες τις σχετικές διατάξεις των πιο κάτω αναφερόμενων οδηγιών και κανονισμών και ταυτίζονται με τα ακόλουθα πρότυπα. Τεχνικά έγγραφα στη: *</p>
<p>(RO)</p>	<p>Declarație de conformitate UE Mașină de găurit cu percuție/ șurubelnită cu acumulatori</p>	<p>Număr de identificare</p>	<p>Declarăm pe proprie răspundere că produsele menționate corespund tuturor dispozițiilor relevante ale directivelor și reglementărilor enumerate în cele ce urmează și sunt în conformitate cu următoarele standarde. Documentație tehnică la: *</p>
<p>(BG)</p>	<p>ЕС декларация за съответствие Акумулаторен ударен бормашинен/винтоверт</p>	<p>Каталожен номер</p>	<p>С пълна отговорност ние декларираме, че посочените продукти отговарят на всички валидни изисквания на директивите и разпоредбите по-долу и съответства на следните стандарти. Техническа документация при: *</p>
<p>(SK)</p>	<p>EU vyhlásenie o zhode Akumulátorový príklepová vrtáčka/skrutkovač</p>	<p>Vecné číslo</p>	<p>Vyhlasujeme na výhradnú zodpovednosť, že uvedený výrobok spĺňa všetky príslušné ustanovenia nižšie uvedených smerníc a nariadení a je v súlade s nasledujúcimi normami. Technické podklady má spoločnosť: *</p>
<p>(HR)</p>	<p>EU izjava o sukladnosti Akumulatorska udarna bušilica/odvijač</p>	<p>Kataloški broj</p>	<p>Pod punom odgovornošću izjavljujemo da navedeni proizvodi odgovaraju svim relevantnim odredbama direktiva i propisima navedenima u nastavku i da su sukladni sa sljedećim normama. Tehnička dokumentacija se može dobiti kod: *</p>
<p>(SRB)</p>	<p>EU-izjava o usaglašenosti Akumulatorska vibraciona bušilica/uvrtač</p>	<p>Broj predmeta</p>	<p>Na sopstvenu odgovornost izjavljujemo, da navedeni proizvodi odgovaraju svim dotičnim odredbama naknadno navedenih smernica u uredaba i da su u skladu sa sledećim standardima. Tehnička dokumentacija kod: *</p>
<p>(SLO)</p>	<p>Izjava o skladnosti ES Akumulatorski vibracijski vrtalnik/vijačnik</p>	<p>Številka artikla</p>	<p>Izjavljamo pod izključno odgovornostjo, da je omenjen izdelek v skladu z vsemi relevantnimi določili direktiv in uredb ter ustreza naslednjim standardom. Tehnična dokumentacija pri: *</p>
<p>(EST)</p>	<p>EL-vastavusdeklaratsioon Akulöökpuurtrelli- kruvikeeraja</p>	<p>Tootenumber</p>	<p>Kinnitame ainuvastutajatena, et nimetatud tooted vastavad järgnevalt loetletud direktiivide ja määruste kõikidele asjaomastele nõuetele ja on kooskõlas järgmistega normidega. Tehnilised dokumendid saadaval: *</p>
<p>(LV)</p>	<p>Deklarācija par atbilstību EK standartiem Akumulatora triecienu rbmašīna/ skrūvgriezis</p>	<p>Izstrādājuma numurs</p>	<p>Mēs ar pilnu atbildību paziņojam, ka šeit aplūkotie izstrādājumi atbilst visiem tālāk minētajās direktīvās un rīkojumos ietvertajām saistošajām nostādņēm, kā arī sekojošiem standartiem. Tehniskā dokumentācija no: *</p>
<p>(LT)</p>	<p>ES atitikties deklaracija Akumuliatorinis smūginis grežtuvus/suktuvus</p>	<p>Gaminio numeris</p>	<p>Atsakingai pareiškiame, kad išvardyti gaminiai atitinka visus privalomus žemiau nurodytų direktyvų ir reglamentų reikalavimus ir šiuos standartus. Techninė dokumentacija saugoma: *</p>
<p>(MK)</p>	<p>EU-Изјава за сообразност Акумулаторска вибрациска дупчалка/одертувач</p>	<p>Број на артикл</p>	<p>Со целосна одговорност изјавуваме, дека опишаните производи се во согласност со сите релевантни одредби на следните регулативи и прописи и се во согласност со следните норми. Техничка документација кај: *</p>
<p>(AL)</p>	<p>EU Deklarata e konformitetit Trapano me goditje/ vidator me bateri</p>	<p>Numri i nenit</p>	<p>Ne deklarimë me përgjegjësinë tonë të vetme se produktet e paraqitura janë në përputhje me të gjitha dispozitat e zbatueshme të direktivave dhe rregulloreve të listuara më poshtë dhe janë në përputhje me standardet si më poshtë. Dosja teknike në: *</p>
<p>3018 3020</p>	<p>CD1*3018** CD1*3020**</p>	<p>2006/42/EC 2014/30/EU 2011/65/EU</p> <p>EN 62841-1:2015 EN 62841-2-1:2018</p> <p>EN 55014-1:2017 EN 55014-2:2015</p> <p>EN 50581:2012</p>	<p>SKIL * Skil BV Konijnenberg 62 4825 BD Breda The Netherlands</p>
		<p>Olaf Dijkgraaf Approval Manager</p> 	<p>Skil BV, Konijnenberg 62, 4825BD Breda, The Netherlands 15.04.2020</p>

1

3018/3020



2



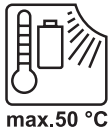
3



4

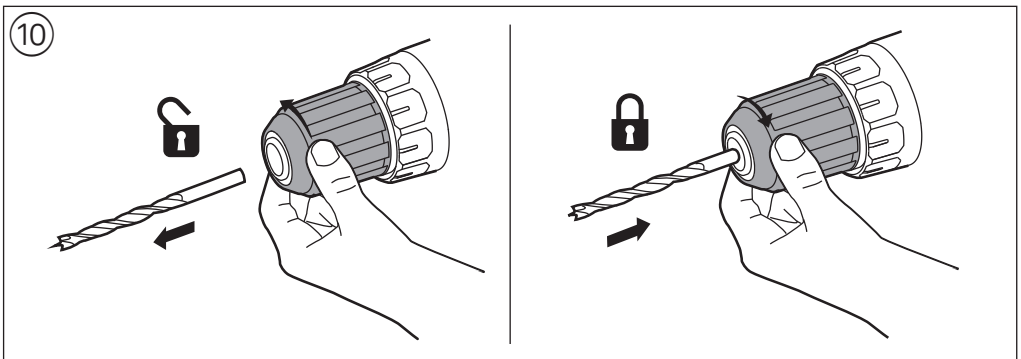
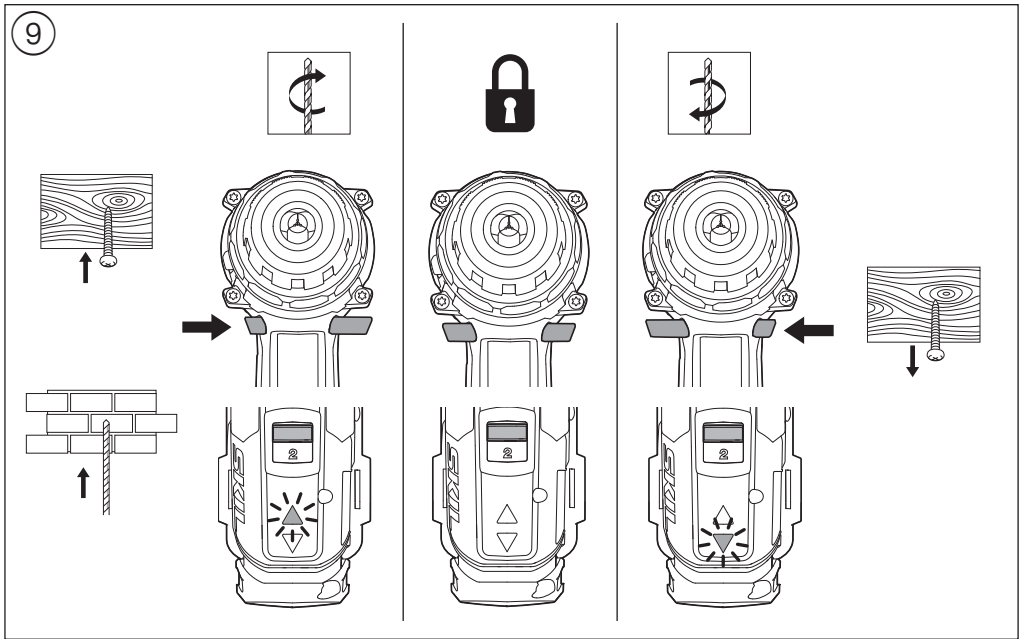
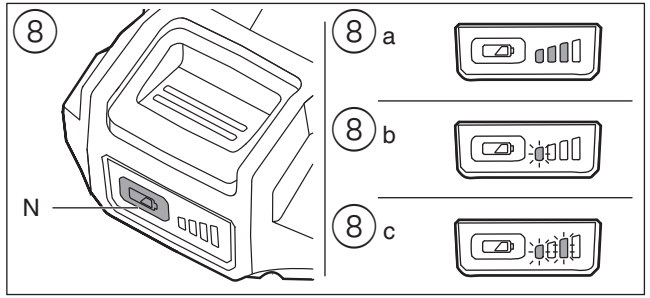
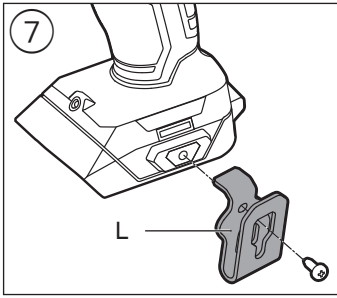


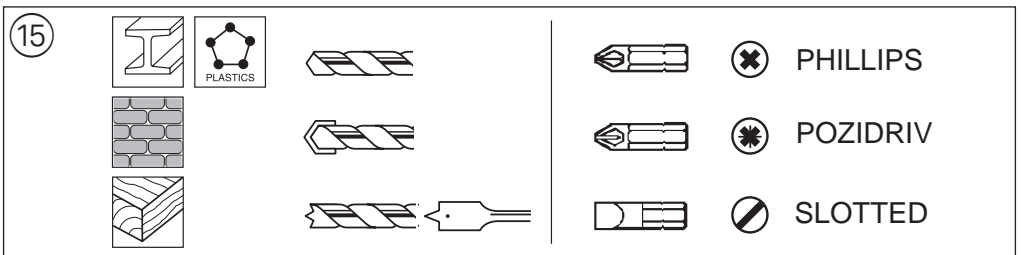
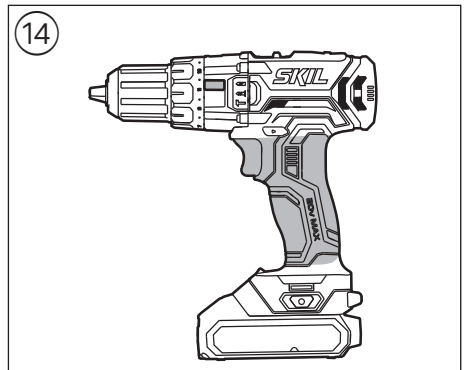
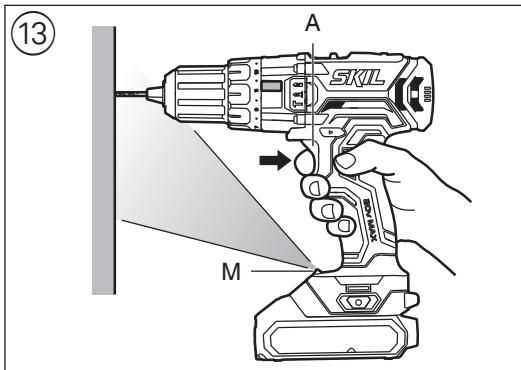
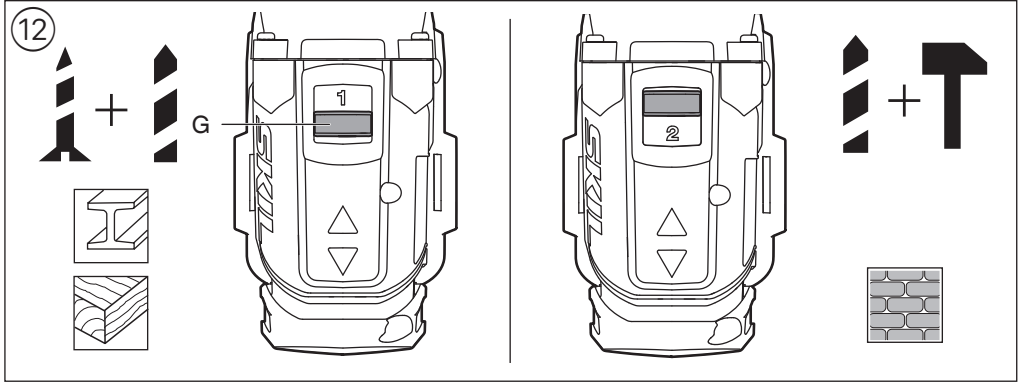
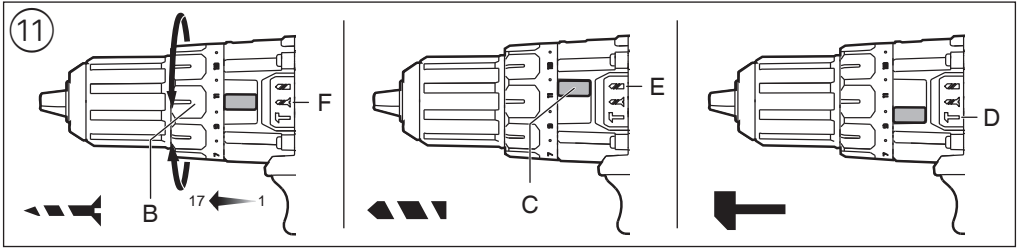
5

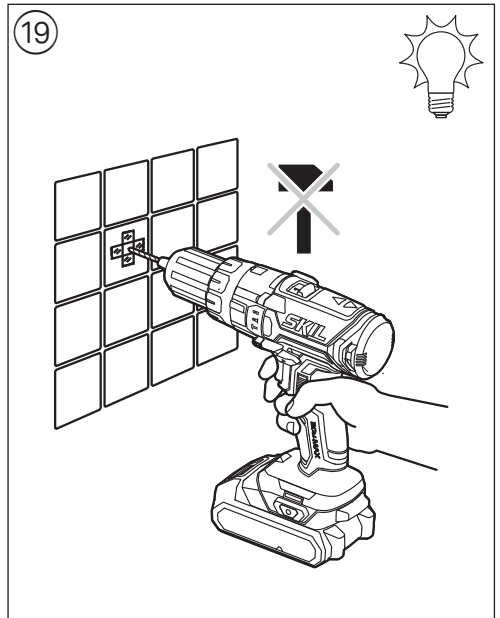
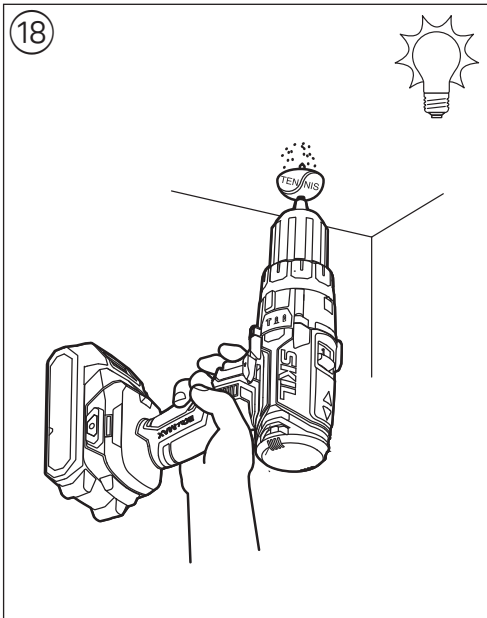
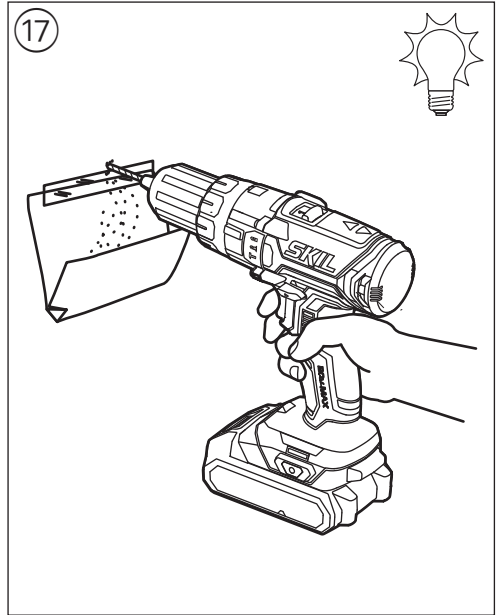
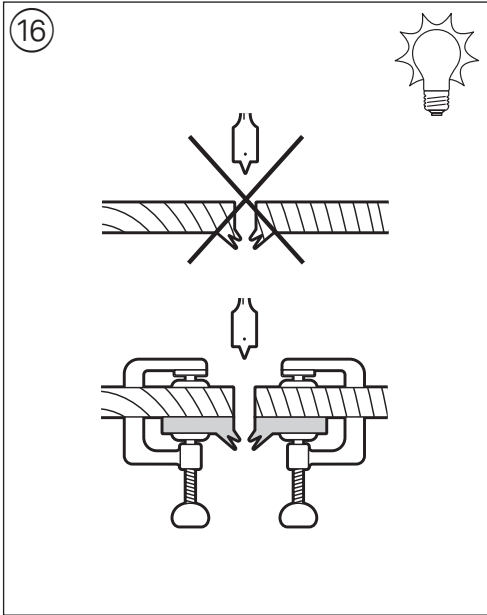


6









ACCESSORIES



WWW.SKIL.COM

Cordless impact drill/driver 3018/3020

INTRODUCTION

- This tool is intended for impact drilling in brick as well as for drilling in wood, metal, ceramic and plastic; tools with electronic speed control and left/right rotation are also suitable for screwdriving and thread cutting
- This tool is not intended for professional use
- Read and save this instruction manual ③

TECHNICAL DATA ①

Max. torque for hard screwdriving application according to ISO 5393 : 55Nm

TOOL ELEMENTS ②

- A Switch for on/off and speed control
- B Ring for torque control
- C Switch for changing function
- D Impact drilling position
- E Drilling position
- F Screwdriving position
- G Gear selector
- H Indicator of selected direction of rotation
- J Ventilation slots
- K Switch for changing direction of rotation
- L Belt clip
- M LED-light
- N Battery level indicator

SAFETY

GENERAL POWER TOOL SAFETY WARNINGS

⚠ WARNING Read all safety warnings, instructions, illustrations and specifications provided with this power tool. Failure to follow all instructions listed below may result in electric shock, fire and/or serious injury.

Save all warnings and instructions for future reference.

The term "power tool" in the warnings refers to your mains-operated (corded) power tool or battery-operated (cordless) power tool.

1) WORK AREA SAFETY

- a) **Keep work area clean and well lit.** Cluttered or dark areas invite accidents.
- b) **Do not operate power tools in explosive atmospheres, such as in the presence of flammable liquids, gases or dust.** Power tools create sparks which may ignite the dust or fumes.
- c) **Keep children and bystanders away while operating a power tool.** Distractions can cause you to lose control.

2) ELECTRICAL SAFETY

- a) **Power tool plugs must match the outlet. Never modify the plug in any way. Do not use any adapter plugs with earthed (grounded) power tools.** Unmodified plugs and matching outlets will reduce risk of electric shock.

- b) **Avoid body contact with earthed or grounded surfaces such as pipes, radiators, ranges and refrigerators.** There is an increased risk of electric shock if your body is earthed or grounded.
- c) **Do not expose power tools to rain or wet conditions.** Water entering a power tool will increase the risk of electric shock.
- d) **Do not abuse the cord. Never use the cord for carrying, pulling or unplugging the power tool. Keep cord away from heat, oil, sharp edges or moving parts.** Damaged or entangled cords increase the risk of electric shock.
- e) **When operating a power tool outdoors, use an extension cord suitable for outdoor use.** Use of a cord suitable for outdoor use reduces the risk of electric shock.
- f) **If operating a power tool in a damp location is unavoidable, use a residual current device (RCD) protected supply.** Use of an RCD reduces the risk of electric shock.

3) PERSONAL SAFETY

- a) **Stay alert, watch what you are doing and use common sense when operating a power tool. Do not use a power tool while you are tired or under the influence of drugs, alcohol or medication.** A moment of inattention while operating power tools may result in serious personal injury.
 - b) **Use personal protective equipment. Always wear eye protection.** Protective equipment such as a dust mask, non-skid safety shoes, hard hat, or hearing protection used for appropriate conditions will reduce personal injuries.
 - c) **Prevent unintentional starting. Ensure the switch is in the off-position before connecting to power source and/or battery pack, picking up or carrying the tool.** Carrying power tools with your finger on the switch or energising power tools that have the switch on invites accidents.
 - d) **Remove any adjusting key or wrench before turning the power tool on.** A wrench or a key left attached to a rotating part of the power tool may result in personal injury.
 - e) **Do not overreach. Keep proper footing and balance at all times.** This enables better control of the power tool in unexpected situations.
 - f) **Dress properly. Do not wear loose clothing or jewellery. Keep your hair and clothing away from moving parts.** Loose clothes, jewellery or long hair can be caught in moving parts.
 - g) **If devices are provided for the connection of dust extraction and collection facilities, ensure these are connected and properly used.** Use of dust collection can reduce dust-related hazards.
 - h) **Do not let familiarity gained from frequent use of tools allow you to become complacent and ignore tool safety principles.** A careless action can cause severe injury within a fraction of a second.
- #### 4) POWER TOOL USE AND CARE
- a) **Do not force the power tool. Use the correct power tool for your application.** The correct power tool will do the job better and safer at the rate for which it was designed.

- b) **Do not use the power tool if the switch does not turn it on and off.** Any power tool that cannot be controlled with the switch is dangerous and must be repaired.
 - c) **Disconnect the plug from the power source and/ or remove the battery pack, if detachable, from the power tool before making any adjustments, changing accessories, or storing power tools.** Such preventive safety measures reduce the risk of starting the power tool accidentally.
 - d) **Store idle power tools out of the reach of children and do not allow persons unfamiliar with the power tool or these instructions to operate the power tool.** Power tools are dangerous in the hands of untrained users.
 - e) **Maintain power tools and accessories. Check for misalignment or binding of moving parts, breakage of parts and any other condition that may affect the power tool's operation. If damaged, have the power tool repaired before use.** Many accidents are caused by poorly maintained power tools.
 - f) **Keep cutting tools sharp and clean.** Properly maintained cutting tools with sharp cutting edges are less likely to bind and are easier to control.
 - g) **Use the power tool, accessories and tool bits etc., in accordance with these instructions, taking into account the working conditions and the work to be performed.** Use of the power tool for operations different from those intended could result in a hazardous situation.
 - h) **Keep handles and grasping surfaces dry, clean and free from oil and grease.** Slippery handles and grasping surfaces do not allow for safe handling and control of the tool in unexpected situations.
- 5) BATTERY TOOL USE AND CARE**
- a) **Recharge only with the charger specified by the manufacturer.** A charger that is suitable for one type of battery pack may create a risk of fire when used with another battery pack.
 - b) **Use power tools only with specifically designated battery packs.** Use of any other battery packs may create a risk of injury and fire.
 - c) **When battery pack is not in use, keep it away from other metal objects like paper clips, coins, keys, nails, screws, or other small metal objects that can make a connection from one terminal to another.** Shorting the battery terminals together may cause burns or a fire.
 - d) **Under abusive conditions, liquid may be ejected from the battery; avoid contact. If contact accidentally occurs, flush with water. If liquid contacts eyes, additionally seek medical help.** Liquid ejected from the battery may cause irritation or burns.
 - e) **Do not use a battery pack or tool that is damaged or modified.** Damaged or modified batteries may exhibit unpredictable behaviour resulting in fire, explosion or risk of injury.
 - f) **Do not expose a battery pack or tool to fire or excessive temperature.** Exposure to fire or temperature above 130°C may cause explosion.
 - g) **Follow all charging instructions and do not charge the battery pack or tool outside the temperature range specified in the instructions.** Charging improperly or at temperatures outside the specified range may damage the battery and increase the risk of fire.

6) SERVICE

- a) **Have your power tool serviced by a qualified repair person using only identical replacement parts.** This will ensure that the safety of the power tool is maintained.
- b) **Never service damaged battery packs.** Service of battery packs should only be performed by the manufacturer or authorized service providers.

SAFETY INSTRUCTIONS FOR CORDLESS DRILL/ DRIVERS

1) SAFETY INSTRUCTIONS FOR ALL OPERATIONS

- a) **Wear ear protectors when impact drilling.** Exposure to noise can cause hearing loss.
- b) **Hold the power tool by insulated gripping surfaces, when performing an operation where the cutting accessory or fastener may contact hidden wiring.** Cutting accessory and fasteners contacting a "live" wire may make exposed metal parts of the power tool "live" and could give the operator an electric shock.

2) SAFETY INSTRUCTIONS WHEN USING LONG DRILL BITS

- a) **Never operate at higher speed than the maximum speed rating of the drill bit.** At higher speeds, the bit is likely to bend if allowed to rotate freely without contacting the workpiece, resulting in personal injury.
- b) **Always start drilling at low speed and with the bit tip in contact with the workpiece.** At higher speeds, the bit is likely to bend if allowed to rotate freely without contacting the workpiece, resulting in personal injury.
- c) **Apply pressure only in direct line with the bit and do not apply excessive pressure.** Bits can bend causing breakage or loss of control, resulting in personal injury.

GENERAL

- Dust from material such as paint containing lead, some wood species, minerals and metal may be harmful (contact with or inhalation of the dust may cause allergic reactions and/or respiratory diseases to the operator or bystanders); **wear a dust mask and work with a dust extraction device when connectable**
- Certain kinds of dust are classified as carcinogenic (such as oak and beech dust) especially in conjunction with additives for wood conditioning; **wear a dust mask and work with a dust extraction device when connectable**
- Follow the dust-related national requirements for the materials you want to work with
- **Do not work materials containing asbestos** (asbestos is considered carcinogenic)
- Ensure that switch K (2) is in the middle (locking) position before making any adjustments or changing accessories as well as when carrying or storing the tool

ACCESSORIES

- SKIL can assure flawless functioning of the tool only when original accessories are used
- Use only accessories with an allowable speed matching at least the highest no-load speed of the tool

BEFORE USE

- Avoid damage that can be caused by screws, nails and other elements in your workpiece; remove them before you start working
- Always check that the supply voltage is the same as the voltage indicated on the nameplate of the charger

- **Secure the workpiece** (a workpiece clamped with clamping devices or in a vice is held more securely than by hand)
- **Use suitable detectors to find hidden utility lines or call the local utility company for assistance** (contact with electric lines can lead to fire or electrical shock; damaging a gas line can result in an explosion; penetrating a water pipe will cause property damage or an electrical shock)

DURING USE

- In case of electrical or mechanical malfunction, immediately switch off the tool or unplug charger from power source

BATTERIES

- **The battery supplied is partially charged** (to ensure full capacity of the battery, completely charge the battery in the battery charger before using your power tool for the first time)
- **Only use the following batteries and chargers with this tool**
 - SKIL battery: BR1*31****
 - SKIL charger: CR1*31****
- Do not use the battery when damaged; it should be replaced
- Do not disassemble the battery
- Do not expose tool/battery to rain
- Permitted ambient temperature (tool/charger/battery):
 - when charging 4...40°C
 - during operation -20...+50°C
 - during storage -20...+50°C

EXPLANATION OF SYMBOLS ON TOOL/BATTERY

- ③ Read the instruction manual before use
- ④ Batteries may explode when disposed of in fire, so do not burn battery for any reason
- ⑤ Store tool/charger/battery in locations where temperature will not exceed 50°C
- ⑥ Do not dispose of electric tools and batteries together with household waste material

USE

- Combined switch for on/off and speed control A ②
 - control the speed steplessly from zero to maximum by putting less or more pressure on the trigger
- Charging battery
 - ! **read the safety warnings and instructions provided with the charger**
- Removing/installing the battery ②
- Attaching belt clip ⑦
 - attach the belt clip L to the drill with the supplied screw.
- Battery level indicator ⑧
 - press the battery level indicator button N to show the current battery level ⑧a
 - ! **when the lowest level of the battery indicator starts flashing after pressing button N ⑧b, the battery is empty**
 - ! **when 2 levels of the battery indicator start flashing after pressing button N ⑧c, the battery is not within the allowable operating temperature range**
- LED-light M ⑬
 - LED-light M automatically lights on when activating switch A
 - ! **when LED-light starts flashing, the battery protection is activated (see below)**

- Battery protection
 - The tool is suddenly being switched off or prevented from being switched on, when
 - **the load is too high** --> remove load and restart
 - **the battery temperature is not within the allowable operating temperature range of -20 to +50°C** --> 2 levels of the battery level indicator start flashing when pressing button N ⑧c; wait until battery has returned within the allowable operating temperature range
 - **the battery is nearly empty (to protect against deep discharge)** --> a low battery level or flashing low battery level ⑧b is shown by the battery level indicator when pressing button N; charge battery
 - ! **do not continue to press the on/off switch after the tool is switched off automatically; battery may be damaged**
- Changing direction of rotation ⑨
 - when not properly set in left/right position, switch A ② cannot be activated
 - ! **change direction of rotation only when tool is at a complete standstill**
- Changing bits ⑩
 - ! **do not use bits with a damaged shank**
- Torque control (VariTorque) ⑪
 - output torque will increase as clutch ring B is rotated from 1 to 17
 - when turning in a screw, first try VariTorque position 1 and increase until the desired depth has been reached
 - position F will lock up the clutch to permit (non-impact) drilling or driving heavy-duty work
 - position D will lock up the clutch to permit impact drilling only
 - ! **ensure that gear selector B is in position 2 when function selector C is in impact drilling position**
 - ! **do not use impact drilling position D for drilling in wood, metal, ceramic and plastic to prevent the drill/screw bit from being damaged**
- Mechanical gear selection ⑫
 - set selector G to desired speed
 - ! **actuate the gear selector while tool is running slowly**
- 1
 - low speed
 - high torque
 - for screwdriving and drilling large diameters
 - for tapping thread
- 2
 - high speed
 - lower torque
 - for impact drilling
 - for drilling small diameters
- Holding and guiding the tool ⑭
 - ! **while working, always hold the tool at the grey-coloured grip area(s)**
 - keep ventilation slots J ② uncovered
 - do not apply too much pressure on the tool; let the tool do the work for you

MAINTENANCE / SERVICE

- This tool is not intended for professional use
- Always keep tool clean (especially ventilation slots H ②)
 - ! **remove battery from tool before cleaning**

- If the tool should fail despite the care taken in manufacturing and testing procedures, repair should be carried out by an after-sales service centre for SKIL power tools
 - send the tool **undismantled** together with proof of purchase to your dealer or the nearest SKIL service station (addresses as well as the service diagram of the tool are listed on www.skil.com)
- Be aware that damage due to overload or improper handling of the tool will be excluded from the warranty (for the SKIL warranty conditions see www.skil.com or ask your dealer)

APPLICATION ADVICE

- Use the appropriate bits ⑮
- **! only use sharp bits**
- When drilling ferrous metals
 - pre-drill a smaller hole, when a large hole is required
 - lubricate drill bit occasionally with oil
- When turning in a screw at/near the cross cut end or an edge of wood, pre-drill a hole in order to avoid cracking of the wood
- For an optimal use of the tool a steady pressure on the screw is required, especially while removing
- When screwdriving in hard wood one should pre-drill a hole
- Splinterfree drilling in wood ⑯
- Dustfree drilling in walls ⑰
- Dustfree drilling in ceilings ⑱
- Drilling in tiles without skidding ⑲
- For more information see www.skil.com

ENVIRONMENT

- **Do not dispose of electric tools, batteries, accessories and packaging together with household waste material** (only for EU countries)
 - in observance of European Directive 2012/19/EC on waste of electric and electronic equipment and its implementation in accordance with national law, electric tools that have reached the end of their life must be collected separately and returned to an environmentally compatible recycling facility
 - symbol ⑥ will remind you of this when the need for disposing occurs
- **! prior to disposal protect battery terminals with heavy tape to prevent short-circuit**

NOISE / VIBRATION

- Measured in accordance with EN 62841 the sound pressure level of this tool is 83.0 dB(A) and the sound power level 94.0 dB(A) (uncertainty K = 5 dB), and the vibration * (triax vector sum; uncertainty K = 1.5 m/s²)
 - * when drilling in metal <2.5 m/s²
 - * when impact drilling in concrete 7.9 m/s²
- The vibration emission level has been measured in accordance with a standardised test given in EN 62841; it may be used to compare one tool with another and as a preliminary assessment of exposure to vibration when using the tool for the applications mentioned
 - using the tool for different applications, or with different or poorly maintained accessories, may significantly **increase** the exposure level

- the times when the tool is switched off or when it is running but not actually doing the job, may significantly **reduce** the exposure level

! protect yourself against the effects of vibration by maintaining the tool and its accessories, keeping your hands warm, and organizing your work patterns

F

Perceuse à percussion/ visseuse sans fil 3018/3020

INTRODUCTION

- Cet outil est conçu pour les travaux perçage de percussion dans la brique ainsi que le perçage dans le bois, le métal, la céramique et les matières plastiques; les outils avec réglage électronique de la vitesse et rotation à droite/à gauche sont également appropriés pour le vissage et le filetage
- Cet outil n'est pas conçu pour un usage professionnel
- Lisez et conservez ce manuel d'instruction ③

CARACTERISTIQUES TECHNIQUES ①

Couple max. vissage dur suivant ISO 5393 : 55Nm

ELEMENTS DE L'OUTIL ②

- A Interrupteur de marche/arrêt et réglage de vitesse
- B Anneau pour réglage du couple
- C Interrupteur pour changer de fonction
- D Position de perçage à percussion
- E Position de perçage
- F Position de vissage
- G Commutateur de vitesse
- H Indicateur du sens de rotation sélectionné
- J Fentes de ventilation
- K Commutateur pour inverser le sens de rotation
- L Agrafe de ceinture
- M Voyant DEL
- N Indicateur de niveau de charge de la batterie

SECURITE

AVERTISSEMENTS DE SECURITE GENERAUX POUR L'OUTIL ELECTRIQUE

⚠ AVERTISSEMENT Lisez tous les avertissements de sécurité, toutes les instructions, illustrations et caractéristiques fournies avec cet outil électrique.

Le non-respect du suivi de toutes les instructions reprises ci-dessous peut provoquer un électrochoc, un incendie et/ou des blessures graves.

Conservez tous les avertissements et toutes les instructions pour pouvoir s'y reporter ultérieurement.

Le terme "outil électrique" dans les avertissements se rapporte à des outils électriques raccordés au secteur (avec câble de raccordement) et à des outils électriques à batterie (sans câble de raccordement).

1) SECURITE DE LA ZONE DE TRAVAIL

- a) **Maintenez l'endroit de travail propre et bien éclairé.**
Un lieu de travail en désordre ou mal éclairé augmente le risque d'accidents.
- b) **N'utilisez pas l'outil électrique dans un environnement présentant des risques d'explosion et où se trouvent des liquides, des gaz ou poussières inflammables.** Les outils électriques génèrent des étincelles risquant d'enflammer les poussières ou les vapeurs.
- c) **Tenez les enfants et autres personnes éloignés durant l'utilisation de l'outil électrique.** En cas d'inattention vous risquez de perdre le contrôle sur l'outil électrique.

2) SECURITE RELATIVE AU SYSTEME ELECTRIQUE

- a) **La fiche de secteur de l'outil électrique doit être appropriée à la prise de courant. Ne modifiez en aucun cas la fiche. N'utilisez pas de fiches d'adaptateur avec des outils électriques avec mise à la terre.** Les fiches non modifiées et les prises de courant appropriées réduisent le risque de choc électrique.
- b) **Évitez le contact physique avec des surfaces mises à la terre telles que tuyaux, radiateurs, fours et réfrigérateurs.** Il y a un risque élevé de choc électrique au cas où votre corps serait relié à la terre.
- c) **N'exposez pas l'outil électrique à la pluie ou à l'humidité.** La pénétration d'eau dans un outil électrique augmente le risque d'un choc électrique.
- d) **N'utilisez pas le câble à d'autres fins que celles prévues, n'utilisez pas le câble pour porter l'outil électrique ou pour l'accrocher ou encore pour le débrancher de la prise de courant. Maintenez le câble éloigné des sources de chaleur, des parties grasses, des bords tranchants ou des parties de l'outil électrique en rotation.** Un câble endommagé ou torsadé augmente le risque d'un choc électrique.
- e) **Au cas où vous utiliseriez l'outil électrique à l'extérieur, utilisez une rallonge autorisée homologuée pour les applications extérieures.** L'utilisation d'une rallonge électrique homologuée pour les applications extérieures réduit le risque d'un choc électrique.
- f) **Si l'usage d'un outil dans un emplacement humide est inévitable, utilisez un disjoncteur de fuite à la terre.** L'utilisation d'un disjoncteur de fuite à la terre réduit le risque de choc électrique.

3) SECURITE DES PERSONNES

- a) **Restez vigilant, surveillez ce que vous faites. Faites preuve de bon sens en utilisant l'outil électrique. N'utilisez pas l'outil électrique lorsque vous êtes fatigué ou après avoir consommé de l'alcool, des drogues ou avoir pris des médicaments.** Un moment d'inattention lors de l'utilisation de l'outil électrique peut entraîner de graves blessures sur les personnes.
- b) **Portez des équipements de protection. Portez toujours des lunettes de protection.** Le fait de porter des équipements de protection personnels tels que masque anti-poussières, chaussures de sécurité antidérapantes, casque de protection ou protection acoustique suivant le travail à effectuer, réduit le risque de blessures.
- c) **Évitez tout démarrage intempestif. S'assurez que l'interrupteur est en position arrêt avant de brancher**

l'outil au secteur et/ou au bloc de batteries, de le ramasser ou de le porter. Porter les outils en ayant le doigt sur l'interrupteur ou brancher des outils dont l'interrupteur est en position marche est source d'accidents.

- d) **Enlevez tout outil de réglage ou toute clé avant de mettre l'outil électrique en fonctionnement.** Une clé ou un outil se trouvant sur une partie en rotation peut causer des blessures.
 - e) **Ne surestimez pas vos capacités. Veillez à garder toujours une position stable et équilibrée.** Ceci vous permet de mieux contrôler l'outil électrique dans des situations inattendues.
 - f) **Portez des vêtements appropriés. Ne portez pas de vêtements amples ni de bijoux. Gardez les cheveux et les vêtements à distance des parties en mouvement.** Des vêtements amples, des bijoux ou des cheveux longs peuvent être happés par des pièces en mouvement.
 - g) **Si des dispositifs servant à aspirer ou à recueillir les poussières doivent être utilisés, vérifiez que ceux-ci soient effectivement raccordés et qu'ils sont correctement utilisés.** L'utilisation des collecteurs de poussière réduit les dangers dus aux poussières.
 - h) **Restez vigilant et ne pas négligez les principes de sécurité de l'outil sous prétexte que vous avez l'habitude de l'utiliser.** Une fraction de seconde d'inattention peut provoquer une blessure grave.
- ### 4) UTILISATION ET EMPLOI SOIGNEUX DE L'OUTIL ELECTRIQUE
- a) **Ne surchargez pas l'outil électrique. Utilisez l'outil électrique approprié au travail à effectuer.** Avec l'outil électrique approprié, vous travaillerez mieux et avec plus de sécurité à la vitesse pour laquelle il est prévu.
 - b) **N'utilisez pas un outil électrique dont l'interrupteur est défectueux.** Un outil électrique qui ne peut plus être mis en ou hors fonctionnement est dangereux et doit être réparé.
 - c) **Débranchez la fiche de la source d'alimentation et/ou enlevez le bloc de batteries, s'il est amovible, avant tout réglage, changement d'accessoires ou avant de ranger l'outil électrique.** De telles mesures de sécurité préventives réduisent le risque de démarrage accidentel de l'outil électrique.
 - d) **Gardez les outils électriques non utilisés hors de portée des enfants. Ne permettez pas l'utilisation de l'outil électrique à des personnes qui ne se sont pas familiarisées avec celui-ci ou qui n'ont pas lu ces instructions.** Les outils électriques sont dangereux lorsqu'ils sont utilisés par des personnes non initiées.
 - e) **Observez la maintenance des outils électriques et des accessoires. Vérifiez que les parties en mouvement fonctionnent correctement et qu'elles ne soient pas coincées, et contrôlez si des parties sont cassées ou endommagées de telle sorte que le bon fonctionnement de l'outil électrique s'en trouve entravé. Faites réparer les parties endommagées avant d'utiliser l'outil électrique.** De nombreux accidents sont dus à des outils électriques mal entretenus.
 - f) **Maintenez les outils de coupe aiguisés et propres.** Des outils soigneusement entretenus avec des bords tranchants bien aiguisés se coincent moins souvent et peuvent être guidés plus facilement.

- g) **Utilisez l'outil électrique, les accessoires, les outils à monter etc. conformément à ces instructions. Tenez compte également des conditions de travail et du travail à effectuer.** L'utilisation de l'outil électrique à d'autres fins que celles prévues peut entraîner des situations dangereuses.
- h) **Il faut que les poignées et les surfaces de préhension restent sèches, propres et dépourvues d'huiles et de graisses.** Des poignées et des surfaces de préhension glissantes rendent impossibles la manipulation et le contrôle en toute sécurité de l'outil dans les situations inattendues.
- 5) UTILISATION ET EMPLOI SOIGNEUX DES APPAREILS SANS FIL**
- a) **Ne chargez les accumulateurs que dans des chargeurs recommandés par le fabricant.** Un chargeur approprié à un type spécifique d'accumulateur peut engendrer un risque d'incendie lorsqu'il est utilisé avec d'autres accumulateurs.
- b) **Dans les outils électriques, n'utilisez que les accumulateurs spécialement prévus pour celui-ci.** L'utilisation de tout autre accumulateur peut entraîner des blessures et des risques d'incendie.
- c) **Tenez l'accumulateur non-utilisé à l'écart de toutes sortes d'objets métalliques tels qu'agrafes, pièces de monnaie, clés, clous, vis ou autres, étant donné qu'un pontage peut provoquer un court-circuit.** Un court-circuit entre les contacts d'accu peut provoquer des brûlures ou un incendie.
- d) **En cas d'utilisation abusive, du liquide peut sortir de l'accumulateur. Evitez tout contact avec ce liquide. En cas de contact par mégarde, rincez soigneusement avec de l'eau. Au cas où le liquide rentrerait dans les yeux, consultez en plus un médecin.** Le liquide qui sort de l'accumulateur peut entraîner des irritations de la peau ou causer des brûlures.
- e) **Ne pas utiliser un bloc de batteries ou un outil fonctionnant sur batteries qui a été endommagé ou modifié.** Les batteries endommagées ou modifiées peuvent avoir un comportement imprévisible provoquant un feu, une explosion ou un risque de blessure.
- f) **Ne pas exposer un bloc de batteries ou un outil fonctionnant sur batteries au feu ou à une température excessive.** Une exposition au feu ou à une température supérieure à 130°C peut provoquer une explosion.
- g) **Suivre toutes les instructions de charge et ne pas charger le bloc de batteries ou l'outil fonctionnant sur batteries hors de la plage de températures spécifiée dans les instructions.** Un chargement incorrect ou à des températures hors de la plage spécifiée de températures peut endommager la batterie et augmenter le risque de feu.
- 6) SERVICE**
- a) **Ne faites réparer votre outil électrique que par un personnel qualifié et seulement avec des pièces de rechange d'origine.** Ceci permet d'assurer la sécurité de l'outil électrique.
- b) **Ne jamais effectuer d'opération d'entretien sur des blocs de batteries endommagés.** Il convient que l'entretien des blocs de batteries ne soit effectué que par le fabricant ou les fournisseurs de service autorisés.

INSTRUCTIONS DE SECURITE POUR PERCEUSE/ VISSIEUSES SANS FIL

1) CONSIGNES DE SÉCURITÉ POUR TOUTES LES OPÉRATIONS

- a) **Portez des protections auditives lorsque vous utilisez des perceuses à percussion.** L'exposition au bruit peut entraîner la perte d'audition.
- b) **Ne tenez l'outil à moteur qu'aux poignées isolées, si, pendant les travaux, l'accessoire de coupe ou l'élément d'assemblage risque de toucher des câbles électriques cachés.** Couper un accessoire et des éléments d'assemblage touchant un fil sous tension peut mettre sous tension les parties métalliques exposées, ce qui pourrait électrocuter l'utilisateur.

2) INSTRUCTIONS DE SÉCURITÉ POUR L'UTILISATION DE FORETS LONGS

- a) **N'utilisez jamais une vitesse supérieure à la vitesse maximale du foret.** À des vitesses plus élevées, le foret risque de se plier s'il tourne librement sans entrer en contact avec la pièce à travailler, ce qui peut provoquer une blessure corporelle.
- b) **Commencez toujours par forer à faible vitesse et avec l'embout du foret en contact avec la pièce à travailler.** À des vitesses plus élevées, le foret risque de se plier s'il tourne librement sans entrer en contact avec la pièce à travailler, ce qui peut provoquer une blessure corporelle.
- c) **Exercez une pression en ligne directe avec le foret et n'exercez pas une pression excessive.** Les forets peuvent se plier, entraînant une casse ou une perte de contrôle, ce qui peut provoquer une blessure corporelle.

GENERALITES

- La poussière de matériaux, tels que la peinture contenant du plomb, certaines espèces de bois, certains minéraux et différents métaux, peut être nocive (le contact avec la poussière ou son inhalation peut provoquer des réactions allergiques et/ou des maladies respiratoires chez l'opérateur ou des personnes se trouvant à proximité); **portez un masque antipoussières et travaillez avec un appareil de dépolluissage lorsqu'il est possible d'en connecter un**
- Certains types de poussières sont classifiés comme étant cancérogènes (tels que la poussière de chêne ou de hêtre), en particulier en combinaison avec des additifs de traitement du bois; **portez un masque antipoussières et travaillez avec un appareil de dépolluissage lorsqu'il est possible d'en connecter un**
- Suivez les directives nationales relatives au dépolluissage pour les matériaux à travailler
- Ne travaillez pas de matériaux contenant de l'amiante** (l'amiante est considéré comme étant cancérogène)
- Vérifiez que le commutateur K ② est en position moyen (de blocage) avant d'effectuer des réglages sur l'outil ou de changer des accessoires, ainsi qu'en transportant ou rangant l'outil

ACCESSOIRES

- SKIL ne peut se porter garant du bon fonctionnement de cet outil que s'il a été utilisé avec les accessoires d'origine
- La vitesse admissible des accessoires utilisés doit être au moins aussi élevée que la vitesse à vide maximale de l'outil

AVANT L'USAGE

- Faites attention aux vis, clous ou autres éléments qui pourraient se trouver dans la pièce à travailler et qui risqueraient d'endommager très fortement votre outil; enlevez-les avant de commencer le travail
- Contrôlez toujours si la tension secteur correspond à la tension indiquée sur la plaquette signalétique du chargeur
- **Fixez solidement la pièce à travailler** (une pièce fixée à l'aide de dispositifs de fixation est davantage assurée que si elle était tenue à la main)
- **Utilisez des détecteurs appropriés afin de localiser la présence de conduites électriques ou bien s'adresser à la société locale de distribution** (un contact avec des lignes électriques peut provoquer un incendie et une décharge électrique; le fait d'endommager une conduite de gaz peut entraîner une explosion; le fait d'endommager une conduite d'eau peut entraîner des dégâts matériels ou causer une décharge électrique)

PENDANT L'USAGE

- En cas d'anomalie électrique ou mécanique, coupez immédiatement l'outil ou débranchez le chargeur du secteur

BATTERIES

- **La batterie fournie est partiellement chargée** (pour garantir la capacité totale de la batterie, chargez intégralement la batterie dans le chargeur de batterie avant d'utiliser l'outil à moteur pour la première fois)
- **Utilisez uniquement les batteries et les chargeurs suivants avec l'outil**
 - Batterie SKIL : BR1*31****
 - Chargeur SKIL : CR1*31****
- N'utilisez pas la batterie lorsque celle-ci est endommagée ; remplacez-la
- Ne démontez pas la batterie
- N'exposez jamais l'outil/la batterie à la pluie
- Plage de températures autorisées (outil/chargeur/ batterie):
 - pendant la charge 4...40°C
 - pendant le fonctionnement -20...+50°C
 - pour le stockage -20...+50°C

EXPLICATION DES SYMBOLES SUR L'OUTIL/LA BATTERIE

- ③ Veuillez lire le mode d'emploi avant d'utiliser l'outil
- ④ La batterie explosera si elle est jetée au feu - ne la brûlez en aucun cas
- ⑤ Rangez l'outil/le chargeur/la batterie dans des endroits où la température n'excède pas 50°C
- ⑥ Ne jetez pas les outils électriques et les piles dans les ordures ménagères

UTILISATION

- Interrupteur conjugué marche/arrêt-contrôle de la vitesse A ②
 - contrôle de la vitesse de zero au maximum en appuyant plus ou moins sur la gâchette
- Chargement de la batterie
 - ! **lisez les avertissements de sécurité et les instructions fournis avec le chargeur**
- Retirer/installer la batterie ②
- Attacher l'attache de ceinture ⑦
 - attachez l'attache de ceinture L à la perceuse à l'aide de la vis fournie.

- Indicateur de niveau de charge de la batterie ⑧
 - appuyez sur le bouton indicateur de niveau de charge de la batterie N pour afficher le niveau de charge actuel de la batterie ⑧a
 - ! **si le niveau le plus bas de l'indicateur de la batterie commence à clignoter après avoir appuyé sur le bouton N ⑧b, la batterie est déchargée**
 - ! **si 2 les niveaux de l'indicateur de la batterie commencent à clignoter après avec appuyé sur le bouton N ⑧c, la batterie n'est pas située dans la plage de températures de fonctionnement autorisée**
- Voyant DEL M ⑬
 - La lampe LED M s'allume automatiquement quand l'interrupteur est activé A
 - ! **lorsque le voyant LED commence à clignoter, la protection de la batterie est activée (voir ci-dessous)**
- Protection de la batterie
 - L'outil est soudainement mis hors tension ou la mise sous tension est empêchée lorsque
 - **la charge est trop élevée** --> retirez la charge et recommencez
 - **la température n'est pas située dans la plage de températures de fonctionnement autorisée de -20 à +50°C** --> 2 les niveaux de l'indicateur de niveau de charge de la batterie commencent à clignoter lorsque vous appuyez sur le bouton N ⑧c; attendez que la batterie soit revenue dans la plage de températures de fonctionnement autorisée
 - **la batterie est presque déchargée (pour empêcher qu'elle ne se décharge complètement)** --> un niveau de batterie faible ou un niveau de batterie clignotant ⑧b apparaît sur l'indicateur de charge de la batterie lorsque vous appuyez sur le bouton N; chargez la batterie
 - ! **ne continuez pas à appuyer sur la commande marche/arrêt après l'arrêt automatique de l'outil; cela pourrait endommager la batterie**
- Inversion du sens de rotation ⑨
 - quand l'outil n'est pas réglé exactement sur la position gauche/droite, l'interrupteur A ② ne peut être mis en marche
 - ! **inversez uniquement le sens de rotation lorsque l'outil est à l'arrêt complet**
- Changement des embouts ⑩
 - ! **ne pas utiliser des embouts avec une queue endommagée**
- Réglage du couple (VariTorque) ⑪
 - le couple de sortie augmentera si l'anneau B est passé de 1 à 17
 - quand vous devez visser une vis, d'abord commencez en VariTorque position 1 et augmentez le couple jusqu'à la vis a atteint la profondeur désirée
 - la position F bloquera le couple pour permettre le perçage (pas de percussion) et le vissage dans des travaux durs
 - la position D bloquera le couple pour permettre uniquement le perçage de percussion
 - ! **veillez à ce que le commutateur de vitesse B soit en position 2 lorsque l'anneau C est en position de perçage de percussion**
 - ! **n'utilisez pas la position de perçage de**

percussion D pour le perçage dans le bois, le métal, la céramique et les matières plastiques pour éviter d'endommager la mèche

- Commutateur de vitesse ⑫
 - sélectionnez la vitesse désirée avec le commutateur G
- ! **actionnez le commutateur de vitesse lorsque l'outil fonctionne lentement**
- 1
 - vitesse lente
 - couple élevé
 - pour visser et percer de larges diamètres
 - pour fileter
- 2
 - vitesse élevée
 - couple bas
 - pour percer de percussion
 - pour percer de petits diamètres
- Tenue et guidage de l'outil ⑭
 - ! **lorsque vous travaillez, tenez toujours l'outil par la(les) zone(s) de couleur grise**
 - veillez à ce que les fentes de ventilation J ② soient découvertes
 - ne pas appuyez trop fortement sur l'outil; laissez l'outil travailler pour vous

ENTRETIEN / SERVICE APRES-VENTE

- Cet outil n'est pas conçu pour un usage professionnel
- Maintenez toujours l'outil propre (surtout les fentes de ventilation) H ②
 - ! **retirez la batterie de l'outil avant de procéder au nettoyage**
- Si, malgré tous les soins apportés à la fabrication et au contrôle de l'outil, celui-ci devait avoir un défaut, la réparation ne doit être confiée qu'à une station de service après-vente agréée pour outillage SKIL
 - retournez l'outil **non démonté** avec votre preuve d'achat au revendeur ou au centre de service après-vente SKIL le plus proche (les adresses ainsi que la vue éclatée de l'outil figurent sur www.skil.com)
- Veuillez noter que tout dégât causé par une surcharge ou une mauvaise utilisation de l'outil ne sera pas couvert par la garantie (pour connaître les conditions de la garantie SKIL, surfez sur www.skil.com ou adressez-vous à votre revendeur)

CONSEILS D'UTILISATION

- Utilisez les embouts appropriés ⑮
 - ! **utilisez seulement des embouts bien affûtés**
- Quand vous percez des métaux ferreux
 - pour faire un gros trou, faites un avant-trou plus petit
 - lubrifiez le foret de temps en temps
- Quand vous devez visser une vis près d'une arête de bois ou à la fin d'une coupe transversale, il est préférable de faire un avant-trou afin d'éviter de faire craquer le bois
- Pour un usage optimal de l'outil une pression constante sur la vise est nécessaire, spécialement durant dévisser
- Quand vous devez visser une vis au bois dur, il est préférable de faire un avant-trou
- Perçage sans éclat en bois ⑯
- Perçage sans poussières dans les murs ⑰
- Perçage sans poussières dans les plafonds ⑱
- Perçage des carreaux sans glisser ⑲
- Pour plus d'informations, voir www.skil.com

ENVIRONNEMENT

- **Ne jetez pas les outils électriques, les piles, les accessoires et l'emballage dans les ordures ménagères** (pour les pays européens uniquement)
 - conformément à la directive européenne 2012/19/EG relative aux déchets d'équipements électriques ou électroniques, et à sa transposition dans la législation nationale, les outils électriques usés doivent être collectés séparément et faire l'objet d'un recyclage respectueux de l'environnement
 - le symbole ⑥ vous le rappellera au moment de la mise au rebut de l'outil
- ! **avant d'envoyer les batteries au recyclage, pour éviter un éventuel court-circuit, il convient de revêtir les bornes d'un épais ruban adhésif isolant**



BRUIT / VIBRATION

- Mesurés selon EN 62841, le niveau de pression sonore de cet outil est de 83,0 dB(A), le niveau de puissance acoustique est de 94,0 dB(A) (incertitude K = 5 dB), et la vibration * (somme vectorielle triax ; incertitude K = 1,5 m/s²)
 - * pendant le perçage du métal <2,5 m/s²
 - * pendant le perçage de percussion du béton 7,9 m/s²
- Le niveau de vibrations émises a été mesuré conformément à l'essai normalisé de la norme EN 62841; il peut être utilisé pour comparer plusieurs outils et pour réaliser une évaluation préliminaire de l'exposition aux vibrations lors de l'utilisation de l'outil pour les applications mentionnées
 - l'utilisation de l'outil dans d'autres applications, ou avec des accessoires différents ou mal entretenus, peut considérablement **augmenter** le niveau d'exposition
 - la mise hors tension de l'outil et sa non-utilisation pendant qu'il est allumé peuvent considérablement **réduire** le niveau d'exposition
- ! **protégez-vous contre les effets des vibrations par un entretien correct de l'outil et de ses accessoires, en gardant vos mains chaudes et en structurant vos schémas de travail**

D

Akku-Schlagbohrmaschine/-Schrauber

3018/3020

EINLEITUNG

- Dieses Werkzeug ist bestimmt zum Schlagbohren in Ziegel sowie zum Bohren in Holz, Metall, Keramik und Kunststoff; Werkzeuge mit elektronischer Drehzahlregulierung und Rechts-/ Linkslauf sind auch geeignet zum Schrauben und Gewindeschneiden

- Dieses Werkzeug eignet sich nicht für den professionellen Einsatz
- Bitte diese Bedienungsanleitung sorgfältig lesen und aufbewahren ③

TECHNISCHE DATEN ①

Max. Drehmoment harter Schraubfall nach ISO 5393 : 55Nm

WERKZEUGKOMPONENTEN ②

- A Schalter zum Ein-Aus-Schalten und zur Drehzahlregelung
- B Ring zur Drehmoment-Kontrolle
- C Schalter für Funktionsänderung
- D Position Schlagbohren
- E Position Bohren
- F Schraubposition
- G Gangwahlschalter
- H Anzeige Drehrichtung
- J Lüftungsschlitze
- K Schalter zum Umschalten der Drehrichtung
- L Gürtel-Clip
- M LED-Lampe
- N Akkuladeanzeige

SICHERHEIT

ALLGEMEINE SICHERHEITSHINWEISE FÜR ELEKTROWERKZEUGE

⚠️ WARNUNG Lesen Sie alle Sicherheitshinweise, Anweisungen, Abbildungen und technischen Daten dieses Elektrogeräts. Die Nichtbeachtung der nachfolgenden Anweisungen kann zu Stromschlägen, Bränden bzw. ernsthaften Verletzungen führen.

Bewahren Sie alle Sicherheitshinweise und Anweisungen für die Zukunft auf.

Der in den Sicherheitshinweisen verwendete Begriff "Elektrowerkzeug" bezieht sich auf netzbetriebene Elektrowerkzeuge (mit Netzkabel) und auf akkubetriebene Elektrowerkzeuge (ohne Netzkabel).

1) ARBEITSPLATZSICHERHEIT

- a) **Halten Sie Ihren Arbeitsbereich sauber und gut beleuchtet.** Unordnung oder unbeleuchtete Arbeitsbereiche können zu Unfällen führen.
- b) **Arbeiten Sie mit dem Elektrowerkzeug nicht in explosionsgefährdeter Umgebung, in der sich brennbare Flüssigkeiten, Gase oder Stäube befinden.** Elektrowerkzeuge erzeugen Funken, die den Staub oder die Dämpfe entzünden können.
- c) **Halten Sie Kinder und andere Personen während der Benutzung des Elektrowerkzeuges fern.** Bei Ablenkung können Sie die Kontrolle über das Elektrowerkzeug verlieren.

2) ELEKTRISCHE SICHERHEIT

- a) **Der Anschlussstecker des Elektrowerkzeuges muss in die Steckdose passen. Der Stecker darf in keiner Weise verändert werden. Verwenden Sie keine Adapterstecker gemeinsam mit schutzgeerdeten Elektrowerkzeugen.** Unveränderte Stecker und passende Steckdosen verringern das Risiko eines

elektrischen Schlages.

- b) **Vermeiden Sie Körperkontakt mit geerdeten Oberflächen, wie von Rohren, Heizungen, Herden und Kühlschränken.** Es besteht ein erhöhtes Risiko durch elektrischen Schlag, wenn Ihr Körper geerdet ist.
 - c) **Halten Sie das Elektrowerkzeug von Regen oder Nässe fern.** Das Eindringen von Wasser in ein Elektrogerät erhöht das Risiko eines elektrischen Schlages.
 - d) **Zweckentfremden Sie das Kabel nicht, um das Elektrowerkzeug zu tragen, aufzuhängen oder um den Stecker aus der Steckdose zu ziehen. Halten Sie das Kabel fern von Hitze, Öl, scharfen Kanten oder sich bewegendem Elektrowerkzeugteilen.** Beschädigte oder verwickelte Kabel erhöhen das Risiko eines elektrischen Schlages.
 - e) **Wenn Sie mit einem Elektrowerkzeug im Freien arbeiten, verwenden Sie nur Verlängerungskabel, die auch für den Außenbereich zugelassen sind.** Die Anwendung eines für den Außenbereich geeigneten Verlängerungskabels verringert das Risiko eines elektrischen Schlages.
 - f) **Wenn der Betrieb des Elektrowerkzeuges in feuchter Umgebung nicht vermeidbar ist, verwenden Sie einen Fehlerstromschutzschalter.** Der Einsatz eines Fehlerstromschutzschalters vermindert das Risiko eines elektrischen Schlages.
- #### 3) SICHERHEIT VON PERSONEN

- a) **Seien Sie aufmerksam, achten Sie darauf, was Sie tun, und gehen Sie mit Vernunft an die Arbeit mit einem Elektrowerkzeug. Benutzen Sie das Elektrowerkzeug nicht, wenn Sie müde sind oder unter dem Einfluss von Drogen, Alkohol oder Medikamenten stehen.** Ein Moment der Unachtsamkeit beim Gebrauch des Elektrowerkzeuges kann zu ernsthaften Verletzungen führen.
- b) **Tragen Sie persönliche Schutzausrüstung und immer eine Schutzbrille.** Das Tragen persönlicher Schutzausrüstung, wie Staubmaske, rutschfeste Sicherheitsschuhe, Schutzhelm oder Gehörschutz, je nach Art und Einsatz des Elektrowerkzeuges, verringert das Risiko von Verletzungen.
- c) **Vermeiden Sie eine unbeabsichtigte Inbetriebnahme. Vergewissern Sie sich, dass das Elektrowerkzeug ausgeschaltet ist, bevor Sie es an die Stromversorgung und/oder den Akku anschließen, es aufnehmen oder tragen.** Wenn Sie beim Tragen des Elektrowerkzeuges den Finger am Schalter haben oder das Elektrowerkzeug eingeschaltet an die Stromversorgung anschließen, kann dies zu Unfällen führen.
- d) **Entfernen Sie Einstellwerkzeuge oder Schraubenschlüssel, bevor Sie das Elektrowerkzeug einschalten.** Ein Werkzeug oder Schlüssel, der sich in einem drehenden Elektrowerkzeugteil befindet, kann zu Verletzungen führen.
- e) **Überschätzen Sie sich nicht. Sorgen Sie für einen sicheren Stand und halten Sie jederzeit das Gleichgewicht.** Dadurch können Sie das Elektrowerkzeug in unerwarteten Situationen besser kontrollieren.
- f) **Tragen Sie geeignete Kleidung. Tragen Sie keine weite Kleidung oder Schmuck. Halten Sie Haare und**

- Kleidung fern von sich bewegenden Teilen.** Lockere Kleidung, Schmuck oder lange Haare können von sich bewegenden Teilen erfasst werden.
- g) **Wenn Staubabsaug- und -auffangeinrichtungen montiert werden können, vergewissern Sie sich, dass diese angeschlossen sind und richtig verwendet werden.** Verwendung einer Staubabsaugung verringert Gefährdungen durch Staub.
- h) **Wiegen Sie sich nicht in falscher Sicherheit und setzen Sie sich nicht über die Sicherheitsregeln für Elektrowerkzeuge hinweg, auch wenn Sie nach vielfachem Gebrauch mit dem Elektrowerkzeug vertraut sind.** Achtloses Handeln kann binnen Sekundenbruchteilen zu schweren Verletzungen führen.
- 4) SORGFÄLTIGER UMGANG UND GEBRAUCH VON ELEKTROWERKZEUGEN**
- a) **Überlasten Sie das Elektrowerkzeug nicht. Verwenden Sie für Ihre Arbeit das dafür bestimmte Elektrowerkzeug.** Mit dem passenden Elektrowerkzeug arbeiten Sie besser und sicherer im angegebenen Leistungsbereich.
- b) **Benutzen Sie kein Elektrowerkzeug, dessen Schalter defekt ist.** Ein Elektrowerkzeug, das sich nicht mehr ein- oder ausschalten lässt, ist gefährlich und muss repariert werden.
- c) **Ziehen Sie den Stecker aus der Steckdose und/ oder entfernen Sie einen abnehmbaren Akku, bevor Sie Geräteeinstellungen vornehmen, Zubehörteile wechseln oder das Elektrowerkzeug weglegen.** Diese Vorsichtsmaßnahme verhindert den unbeabsichtigten Start des Elektrowerkzeuges.
- d) **Bewahren Sie unbenutzte Elektrowerkzeuge außerhalb der Reichweite von Kindern auf. Lassen Sie Personen das Elektrowerkzeug nicht benutzen, die mit diesem nicht vertraut sind oder diese Anweisungen nicht gelesen haben.** Elektrowerkzeuge sind gefährlich, wenn Sie von unerfahrenen Personen benutzt werden.
- e) **Pflegen Sie Elektrowerkzeuge und Zubehör mit Sorgfalt. Kontrollieren Sie, ob bewegliche Elektrowerkzeugeteile einwandfrei funktionieren und nicht klemmen, ob Teile gebrochen oder so beschädigt sind, dass die Funktion des Elektrowerkzeuges beeinträchtigt ist. Lassen Sie beschädigte Teile vor dem Einsatz des Elektrowerkzeuges reparieren.** Viele Unfälle haben ihre Ursache in schlecht gewarteten Elektrowerkzeugen.
- f) **Halten Sie Schneidwerkzeuge scharf und sauber.** Sorgfältig gepflegte Schneidwerkzeuge mit scharfen Schneidkanten verklemmen sich weniger und sind leichter zu führen.
- g) **Verwenden Sie Elektrowerkzeug, Zubehör, Einsatzwerkzeuge usw. entsprechend diesen Anweisungen. Berücksichtigen Sie dabei die Arbeitsbedingungen und die auszuführende Tätigkeit.** Der Gebrauch von Elektrowerkzeugen für andere als die vorgesehenen Anwendungen kann zu gefährlichen Situationen führen.
- h) **Halten Sie Griffe und Griffflächen trocken, sauber und frei von Öl und Fett.** Rutschige Griffe und Griffflächen erlauben keine sichere Bedienung und Kontrolle des Elektrowerkzeuges in unvorhergesehenen Situationen.
- 5) SORGFÄLTIGER UMGANG UND GEBRAUCH VON AKKUGERÄTEN**
- a) **Laden Sie die Akkus nur in Ladegeräten auf, die vom Hersteller empfohlen werden.** Für ein Ladegerät, das für eine bestimmte Art von Akkus geeignet ist, besteht Brandgefahr, wenn es mit anderen Akkus verwendet wird.
- b) **Verwenden Sie nur die dafür vorgesehenen Akkus in den Elektrowerkzeugen.** Der Gebrauch von anderen Akkus kann zu Verletzungen und Brandgefahr führen.
- c) **Halten Sie den nicht benutzten Akku fern von Büroklammern, Münzen, Schlüsseln, Nägeln, Schrauben oder anderen kleinen Metallgegenständen, die eine Überbrückung der Kontakte verursachen könnten.** Ein Kurzschluss zwischen den Akkukontakten kann Verbrennungen oder Feuer zur Folge haben.
- d) **Bei falscher Anwendung kann Flüssigkeit aus dem Akku austreten. Vermeiden Sie den Kontakt damit. Bei zufälligem Kontakt mit Wasser abspülen. Wenn die Flüssigkeit in die Augen kommt, nehmen Sie zusätzlich ärztliche Hilfe in Anspruch.** Austretende Akkuflüssigkeit kann zu Hautreizungen oder Verbrennungen führen.
- e) **Benutzen Sie keinen beschädigten oder veränderten Akku.** Beschädigte oder veränderte Akkus können sich unvorhersehbar verhalten und zu Feuer, Explosion oder Verletzungsgefahr führen.
- f) **Setzen Sie einen Akku keinem Feuer oder zu hohen Temperaturen aus.** Feuer oder Temperaturen über 130°C können eine Explosion hervorrufen.
- g) **Befolgen Sie alle Anweisungen zum Laden und laden Sie den Akku oder das Akkuwerkzeug niemals außerhalb des in der Betriebsanleitung angegebenen Temperaturbereichs.** Falsches Laden oder Laden außerhalb des zugelassenen Temperaturbereichs kann den Akku zerstören und die Brandgefahr erhöhen.
- 6) SERVICE**
- a) **Lassen Sie Ihr Elektrowerkzeug nur von qualifiziertem Fachpersonal und nur mit Original-Ersatzteilen reparieren.** Damit wird sichergestellt, dass die Sicherheit des Elektrowerkzeuges erhalten bleibt.
- b) **Warten Sie niemals beschädigte Akkus.** Sämtliche Wartung von Akkus sollte nur durch den Hersteller oder bevollmächtigte Kundendienststellen erfolgen.
- SICHERHEITSHINWEISE FÜR AKKU-BOHRSCHRAUBER**
- 1) SICHERHEITSHINWEISE FÜR ALLE ARBEITEN**
- a) **Beim Schlagbohren Gehörschutz tragen.** Lärmbelästigung kann zu Hörverlust führen.
- b) **Halten Sie das Elektrowerkzeug an isolierten Greifflächen fest, wenn Sie einen Arbeitsgang durchführen, bei dem das Schneidzubehör oder das Befestigungselement mit Unterputzverkabelung in Berührung kommen kann.** Schneidzubehör und Verbindungselemente, die mit einem unter Spannung stehenden Kabel in Berührung kommen, können freiliegende Metallteile des Elektrowerkzeuges „unter Spannung“ setzen und dem Bediener einen elektrischen Schlag versetzen.

2) SICHERHEITSHINWEISE FÜR DIE NUTZUNG DER LANGEN BOHRER

- a) **Niemals mit einer höheren Drehzahl als der maximalen Drehzahl des Bohrer arbeiten.** Bei höheren Geschwindigkeiten kann sich der Bit verbiegen, wenn er sich frei drehen kann, ohne das Werkstück zu berühren. Dies kann zu Verletzungen führen.
- b) **Beginnen Sie das Bohren immer mit niedriger Drehzahl und mit der Bohrspitze in Kontakt mit dem Werkstück.** Bei höheren Geschwindigkeiten kann sich der Aufsatz verbiegen, wenn er sich frei drehen kann, ohne das Werkstück zu berühren. Dies kann zu Verletzungen führen.
- c) **Druck nur in direkter Linie mit dem Bohrer ausüben und keinen übermäßigen Druck ausüben.** Aufsätze können sich verbiegen und zu Bruch oder Kontrollverlust führen. Dies kann wiederum zu Verletzungen führen.

ALLGEMEINES

- Staub von Materialien wie Farbe, die Blei enthält, einigen Holzarten, Mineralien und Metall kann schädlich sein (Kontakt mit oder Einatmen des Staubs kann zu allergischen Reaktionen und/oder Atemwegserkrankungen beim Bediener oder Umstehenden führen); **tragen Sie eine Staubmaske und arbeiten Sie mit einem Staubabsaugungssystem, wenn ein solches angeschlossen werden kann**
- Bestimmte Arten von Staub sind als karzinogen klassifiziert (beispielsweise Eichen- und Buchenholzstaub), insbesondere in Verbindung mit Zusätzen für die Holzvorbehandlung; **tragen Sie eine Staubmaske und arbeiten Sie mit einem Staubabsaugungssystem, wenn ein solches angeschlossen werden kann**
- Beachten Sie die für Ihr verwendetes Verbrauchsmaterial gültigen nationalen Staubschutzvorgaben
- **Bearbeiten Sie kein asbesthaltiges Material** (Asbest gilt als krebserregend)
- Stellen Sie sicher dass Schalter K ② sich in der mittel- (Schluss-) Position befindet, bevor Sie Werkzeug-einstellungen vornehmen oder Zubehör wechseln, sowie beim Tragen oder Weglegen des Werkzeuges

ZUBEHÖR

- SKIL kann nur dann die einwandfreie Funktion des Werkzeuges zusichern, wenn Original-Zubehör verwendet wird
- Nur Zubehör verwenden, dessen zulässige Drehzahl mindestens so hoch ist wie die höchste Leerlaufdrehzahl des Werkzeuges

VOR DER ANWENDUNG

- Beschädigungen durch Schrauben, Nägel und ähnliches an Ihrem Werkstück vermeiden; diese vor Arbeitsbeginn entfernen
- Stets nachprüfen, dass die Netzspannung mit der auf dem Typenschild des Ladegeräts angegebenen Spannung übereinstimmt
- **Sichern Sie das Werkstück** (ein mit Spannvorrichtungen oder Schraubstock festgehaltenes Werkstück ist sicherer gehalten als mit der Hand)
- **Verwenden Sie geeignete Suchgeräte, um verborgene Versorgungsleitungen aufzuspüren, oder ziehen Sie die örtliche Versorgungsgesellschaft hinzu** (Kontakt mit Elektroleitungen kann zu Feuer und elektrischem Schlag führen; Beschädigung einer Gasleitung kann zur Explosion führen; Eindringen in eine Wasserleitung

verursacht Sachbeschädigung oder kann einen elektrischen Schlag verursachen)

WÄHREND DER ANWENDUNG

- Im Falle von atypischem Verhalten oder Fremdgeräuschen schalten Sie das Werkzeug sofort aus oder ziehen Sie den Netzstecker des Ladegeräts aus der Steckdose

BATTERIEN

- **Der mitgelieferte Akku ist teilweise geladen** (um die volle Kapazität des Akkus nutzen zu können, laden Sie den Akku im Ladegerät vollständig auf, bevor Sie das Elektrowerkzeug zum ersten Mal verwenden)
- **Nur die mit diesem Werkzeug mitgelieferten Batterien und Ladegeräte verwenden**
 - SKIL-Batterie: BR1*31****
 - SKIL-Ladegerät: CR1*31****
- Beschädigte Batterien nicht weiter verwenden, sondern ersetzen
- Die Batterie nicht auseinandernehmen
- Das Werkzeug/die Batterie niemals Regen aussetzen
- Erlaubte Umgebungstemperatur (Werkzeug/Ladegerät/Batterie):
 - beim Laden 4...40°C
 - beim Betrieb -20...+50°C
 - bei Lagerung -20...+50°C

ERKLÄRUNG DER SYMBOLE AUF DEM WERKZEUG/ AKKU

- ③ Die Bedienungsanleitung vor dem Gebrauch lesen
- ④ Batterien werden bei Kontakt mit Feuer explodieren, die Batterien daher niemals verbrennen
- ⑤ Bewahren Sie das Werkzeug/Ladegerät/Batterie stets bei Raumtemperaturen unter 50°C auf
- ⑥ Elektrowerkzeuge und Batterien nicht in den Hausmüll werfen

BEDIENUNG

- Kombinationsschalter für Ein/Aus und Drehzahlregelung A ②
 - durch mehr oder weniger Druck auf den Schalter kann die Geschwindigkeit stufenlos von Null bis zur maximalen Drehzahl geregelt werden
- Aufladen des Akkus
 - ! **Lesen Sie die mit dem Ladegerät gelieferten Sicherheitshinweise**
- Entfernen/Einlegen von Batterien ②
- Gürtel-Clip anbringen ⑦
 - Gürtel-Clip L mit der mitgelieferten Schraube am Bohrer anbringen.
- Akkuladeanzeige ⑧
 - Drücken Sie die auf die Akkustandsanzeige N, um den aktuellen Akkustand anzuzeigen ⑧a
 - ! **Wenn der niedrigste Wert der Akkustandsanzeige nach dem Drücken der Taste N ⑧b blinkt, ist der Akku leer**
 - ! **Wenn die Werte 2 der Akkustandsanzeige nach dem Drücken der Taste N ⑧c blinken, befindet sich der Akku nicht im zulässigen Betriebstemperaturbereich**
- LED-Lampe M ③
 - LED-Licht M leuchtet automatisch bei Betätigung des Schalters A
 - ! **Wenn die LED-Lampe zu blinken beginnt, ist der Akkuschutz aktiviert (siehe unten)**

- Batterieschutz
Das Gerät wird plötzlich ausgeschaltet oder kann nicht mehr eingeschaltet werden, wenn
 - die Last zu hoch ist --> Last entfernen und neu starten
 - die Akkumtemperatur nicht im zulässigen Betriebstemperaturbereich von -20 bis +50° C liegt --> 2 Werte der Akkustandsanzeige blinken nach dem Drücken der Taste N (8); warten, bis sich der Akku wieder innerhalb des zulässigen Betriebstemperaturbereichs befindet
 - der Akku fast leer ist (zum Schutz vor Tiefentladung) --> ein niedriger Akkustand oder ein blinkender Akkustand (9) wird von der Akkustandsanzeige angezeigt, wenn die Taste N gedrückt wird; Akku laden
- ! nach einer automatischen Ausschaltung des Werkzeugs nicht weiterhin auf den Ein-/Ausschalter drücken; der Akku kann beschädigt werden
- Umschalten der Drehrichtung (9)
 - wenn die links/rechts Position nicht richtig einrastet, kann der Schalter A (2) nicht betätigt werden
 - ! Drehrichtung nur dann umschalten, wenn das Werkzeug vollkommen stillsteht
- Wechseln von Bits (10)
 - ! keine Bits mit beschädigtem Schaft benutzen
- Drehmoment-Kontrolle (VariTorque) (11)
 - das Drehmoment wird erhöht indem man Kupplungsring B von 1 auf 17 dreht
 - beim Eindrehen einer Schraube beginnen Sie zunächst mit der VariTorque Position 1 und erhöhen dann langsam, bis die gewünschte Tiefe erreicht ist
 - in Position F wird die Kupplung gesperrt, um schwere Bohr- (jedoch keine Schlagbohr-) und Schraubarbeiten auszuführen
 - in Position D wird die Kupplung gesperrt, um nur Schlagbohrarbeiten auszuführen
 - ! der Gangwahlschalter B muss in Position 2 stehen, wenn der Kupplungsring C auf der Position Schlagbohren steht
 - ! die Position Schlagbohren D nicht für das Bohren in Holz, Metall, Keramik und Kunststoff verwenden, um zu verhindern, dass das Bohr-/Schraubbit beschädigt wird
- Mechanische Gangwahl (12)
 - Schalter G auf gewünschte Drehzahl stellen
 - ! den Gangwahlschalter betätigen während das Werkzeug langsam läuft
- 1
 - niedrige Drehzahl
 - hohes Drehmoment
 - zum Schrauben und Bohren von großen Durchmessern
 - zum Gewindebohren
- 2
 - hohe Drehzahl
 - niedriges Drehmoment
 - zum Schlagbohren
 - zum Bohren von kleinen Durchmessern
- Halten und Führen des Werkzeuges (14)
 - ! Werkzeug beim Arbeiten immer am grauen Griffbereich fassen
 - Lüftungsschlitze J (2) unbedeckt halten

- nicht zuviel Druck auf das Werkzeug ausüben; lassen Sie das Werkzeug für Sie arbeiten

WARTUNG / SERVICE

- Dieses Werkzeug eignet sich nicht für den professionellen Einsatz
- Halten Sie das Werkzeug immer sauber (insbesondere die Lüftungsschlitze H (2))
 - ! Vor der Montage die Batterie aus dem Werkzeug entfernen
- Sollte das Elektrowerkzeug trotz sorgfältiger Herstellungs- und Prüfverfahren einmal ausfallen, ist die Reparatur von einer autorisierten Kundendienststelle für SKIL-Elektrowerkzeuge ausführen zu lassen
 - das Werkzeug unzerlegt, zusammen mit dem Kaufbeleg, an den Lieferer oder die nächste SKIL-Vertragswerkstätte senden (die Anschriften so wie die Ersatzteilzeichnung des Werkzeuges finden Sie unter www.skil.com)
- Beachten Sie, dass ein falscher oder unsachgemäßer Gebrauch des Werkzeuges zum Erlöschen der Garantie führt (die SKIL-Garantiebedingungen finden Sie unter www.skil.com oder fragen Sie Ihren Händler)

ANWENDUNGSHINWEISE

- Die entsprechenden Bits verwenden (15)
 - ! nur scharfe Bits verwenden
- Beim Bohren in Eisenmetallen
 - kleines Loch vorbohren wenn ein größeres Loch benötigt ist
 - Bits gelegentlich mit Öl einfetten
- Beim Eindrehen einer Schraube am Ende oder Kopfstück eines Holzes sollte ein Loch vorgebohrt werden um ein Spalten des Holzes zu vermeiden
- Für einen optimalen Gebrauch des Werkzeuges ist ein ständiger Druck auf die Schraube notwendig, besonders während des Ausschraubens
- Beim Eindrehen einer Schraube in Hartholz sollte ein Loch vorgebohrt werden
- Splitterfreies Bohren in Holz (16)
- Staubfreies Bohren in Mauern (17)
- Staubfreies Bohren in Decken (18)
- Bohren in Fliesen ohne auszurutschen (19)
- Für weitere Informationen verweisen wir auf www.skil.com

UMWELT

- Elektrowerkzeuge, Batterien, Zubehör und Verpackungen nicht in den Hausmüll werfen (nur für EU-Länder)
 - gemäss Europäischer Richtlinie 2012/19/EG über Elektro- und Elektronik- Altgeräte und Umsetzung in nationales Recht müssen nicht mehr gebrauchsfähige Elektrowerkzeuge getrennt gesammelt und einer umweltgerechten Wiederverwertung zugeführt werden
 - hieran soll Sie Symbol (6) erinnern
 - ! bevor Sie die Batterie entsorgen, schützen Sie die Batterieenden mit einem schweren Band, um so Kriechströme zu vermeiden

GERÄUSCH / VIBRATION

- Gemessen nach EN 62841 beträgt der Schalldruckpegel dieses Werkzeugs 83,0 dB(A) und der Schallleistungspegel 94,0 dB(A) (Unsicherheit K = 5 dB), und die Schwingung * (Triaxektorsumme; Unsicherheit K = 1,5 m/s²)
 - * beim Bohren in Metall <2,5 m/s²
 - * beim Schlagbohren in Beton 7,9 m/s²
 - Die Vibrationsemissionsstufe wurde mit einem standardisierten Test gemäß EN 62841 gemessen; Sie kann verwendet werden, um ein Werkzeug mit einem anderen zu vergleichen und als vorläufige Beurteilung der Vibrationsexposition bei Verwendung des Werkzeugs für die angegebenen Anwendungszwecke
 - die Verwendung des Werkzeugs für andere Anwendungen oder mit anderem oder schlecht gewartetem Zubehör kann die Expositionsstufe erheblich **erhöhen**
 - Zeiten, zu denen das Werkzeug ausgeschaltet ist, oder wenn es läuft aber eigentlich nicht eingesetzt wird, können die Expositionsstufe erheblich **verringern**
- ! schützen Sie sich vor den Auswirkungen der Vibration durch Wartung des Werkzeugs und des Zubehörs, halten Sie Ihre Hände warm und organisieren Sie Ihren Arbeitsablauf**

NL

Opladbare klopboor-/ schroefmachine 3018/3020

INTRODUCTIE

- Deze machine is bestemd voor het klopboren in baksteen en voor het boren in hout, metaal, keramiek en kunststof; machines met elektronische toerentalregeling en rechts-/ linksdraaien zijn ook geschikt voor het in- en uitdraaien van schroeven en het snijden van schroefdraad
- Deze machine is niet bedoeld voor professioneel gebruik
- Lees en bewaar deze gebruiksaanwijzing ③

TECHNISCHE GEGEVENS ①

Max. draaimoment bij harde schroefverbinding volgens ISO 5393 : 55Nm

MACHINE-ELEMENTEN ②

- A Schakelaar voor aan/uit en toerentalregeling
- B Ring voor instellen van koppel
- C Schakelaar voor het wisselen van functie
- D Klopboorpositie
- E Boorpositie
- F Schroevendraaierpositie
- G Toerentalschakelaar
- H Indicatie van gekozen draairichting
- J Ventilatie-openingen
- K Knop voor omschakelen van draairichting
- L Riemclip
- M LED-lampje
- N Batterijniveau-indicator

VEILIGHEID

ALGEMENE VEILIGHEIDSWAARSCHUWINGEN VOOR ELEKTRISCHE GEREEDSCHAPPEN

⚠ WAARSCHUWING Lees alle veiligheidswaarschuwingen, instructies, afbeeldingen en specificaties die met dit elektrische gereedschap zijn meegeleverd. Het niet volgen van alle hieronder genoemde instructies kan elektrische schokken, brand en/of ernstig letsel tot gevolg hebben.

Bewaar alle waarschuwingen en voorschriften voor toekomstig gebruik.

Het in de waarschuwingen gebruikte begrip “elektrisch gereedschap” heeft betrekking op elektrische gereedschappen voor gebruik op het stroomnet (met netsnoer) en op elektrische gereedschappen voor gebruik met een accu (zonder netsnoer).

1) VEILIGHEID VAN DE WERKOMGEVING

- a) Houd uw werkomgeving schoon en opgeruimd.**
Een rommelige of onverlichte werkomgeving kan tot ongevallen leiden.
- b) Werk met het gereedschap niet in een omgeving met explosiegevaar waarin zich brandbare vloeistoffen, gassen of stof bevinden.** Elektrische gereedschappen veroorzaken vonken die het stof of de dampen tot ontsteking kunnen brengen.
- c) Houd kinderen en andere personen tijdens het gebruik van het elektrische gereedschap uit de buurt.** Wanneer u wordt afgeleid, kunt u de controle over het gereedschap verliezen.

2) ELEKTRISCHE VEILIGHEID

- a) De aansluitstekker van het gereedschap moet in het stopcontact passen. De stekker mag in geen geval worden veranderd. Gebruik geen adapterstekkers in combinatie met geaarde gereedschappen.**
Onveranderde stekkers en passende stopcontacten beperken het risico van een elektrische schok.
- b) Voorkom aanraking van het lichaam met geaarde oppervlakken, bijvoorbeeld van buizen, verwarmingen, fornuizen en koelkasten.** Er bestaat een verhoogd risico door een elektrische schok wanneer uw lichaam geaard is.
- c) Houd het gereedschap uit de buurt van regen en vocht.** Het binnendringen van water in het elektrische gereedschap vergroot het risico van een elektrische schok.
- d) Gebruik de kabel niet voor een verkeerd doel, om het gereedschap te dragen of op te hangen of om de stekker uit het stopcontact te trekken. Houd de kabel uit de buurt van hitte, olie, scherpe randen en bewegende gereedschapsdelen.** Beschadigde of in de war geraakte kabels vergroten het risico van een elektrische schok.
- e) Wanneer u buitenshuis met elektrisch gereedschap werkt, dient u alleen verlengkabels te gebruiken die voor gebruik buitenshuis zijn goedgekeurd.**
Het gebruik van een voor gebruik buitenshuis geschikte verlengkabel beperkt het risico van een elektrische schok.

- f) **Als het gebruik van het elektrische gereedschap in een vochtige omgeving onvermijdelijk is, dient u een aardlekschakelaar te gebruiken.** Het gebruik van een aardlekschakelaar vermindert het risico van een elektrische schok.
- 3) PERSOONLIJKE VEILIGHEID**
- a) **Wees alert, let goed op wat u doet en ga met verstand te werk bij het gebruik van het elektrische gereedschap. Gebruik het gereedschap niet wanneer u moe bent of onder invloed staat van drugs, alcohol of medicijnen.** Een moment van onoplettendheid bij het gebruik van het gereedschap kan tot ernstige verwondingen leiden.
- b) **Draag persoonlijke beschermende uitrusting en altijd een veiligheidsbril.** Het dragen van persoonlijke beschermende uitrusting zoals een stofmasker, slipvaste werkschoenen, een veiligheidshelm of gehoorbescherming, afhankelijk van de aard en het gebruik van het elektrische gereedschap, vermindert het risico van verwondingen.
- c) **Voorkom per ongeluk inschakelen. Controleer dat het elektrische gereedschap uitgeschakeld is voordat u de stekker in het stopcontact steekt of de accu aansluit en voordat u het gereedschap oppakt of draagt.** Wanneer u bij het dragen van het elektrische gereedschap uw vinger aan de schakelaar hebt of wanneer u het gereedschap ingeschakeld op de stroomvoorziening aansluit, kan dit tot ongevallen leiden.
- d) **Verwijder instelgereedschappen of schroefsleutels voordat u het gereedschap inschakelt.** Een instelgereedschap of sleutel in een draaiend deel van het gereedschap kan tot verwondingen leiden.
- e) **Probeer niet ver te reiken. Zorg ervoor dat u stevig staat en steeds in evenwicht blijft.** Daardoor kunt u het gereedschap in onverwachte situaties beter onder controle houden.
- f) **Draag geschikte kleding. Draag geen loshangende kleding of sieraden. Houd haren en kleding uit de buurt van bewegende delen.** Loshangende kleding, sieraden en lange haren kunnen door bewegende delen worden meegenomen.
- g) **Wanneer stofafzuigings- of stofopvangvoorzieningen kunnen worden gemonteerd, dient u zich ervan te verzekeren dat deze zijn aangesloten en juist worden gebruikt.** Het gebruik van een stofafzuiging beperkt het gevaar door stof.
- h) **Ondanks het feit dat u eventueel heel goed vertrouwd bent met het gebruik van gereedschappen, moet u ervoor zorgen dat u niet nonchalant wordt en veiligheidsvoorschriften voor het gereedschap gaat negeren.** Een onoplettende handeling kan binnen een fractie van een seconde ernstig letsel veroorzaken.
- 4) GEBRUIK EN ONDERHOUD VAN ELEKTRISCHE GEREEDSCHAPPEN**
- a) **Overbelast het gereedschap niet. Gebruik voor uw werkzaamheden het daarvoor bestemde elektrische gereedschap.** Met het passende elektrische gereedschap werkt u beter en veiliger binnen het aangegeven capaciteitsbereik.
- b) **Schakel geen elektrisch gereedschap waarvan de schakelaar defect is.** Elektrisch gereedschap dat niet meer kan worden in- of uitgeschakeld, is gevaarlijk en moet worden gerepareerd.
- c) **Trek de stekker uit het stopcontact en/of neem de accu (indien uitneembaar) uit het elektrische gereedschap voordat u het elektrische gereedschap instelt, accessoires wisselt of het elektrische gereedschap opbergt.** Deze voorzorgsmaatregel voorkomt onbedoeld starten van het elektrische gereedschap.
- d) **Bewaar niet-gebruikte elektrische gereedschappen buiten bereik van kinderen. Laat het gereedschap niet gebruiken door personen die er niet mee vertrouwd zijn en deze aanwijzingen niet hebben gelezen.** Elektrische gereedschappen zijn gevaarlijk wanneer deze door onervaren personen worden gebruikt.
- e) **Verzorg het gereedschap zorgvuldig. Controleer of bewegende delen van het gereedschap correct functioneren en niet vastklemmen en of onderdelen zodanig gebroken of beschadigd zijn dat de werking van het gereedschap nadelig wordt beïnvloed. Laat beschadigde delen repareren voordat u het gereedschap gebruikt.** Veel ongevallen hebben hun oorzaak in slecht onderhouden elektrische gereedschappen.
- f) **Houd snijdende inzetgereedschappen scherp en schoon.** Zorgvuldig onderhouden snijdende inzetgereedschappen met scherpe snijkanten klemmen minder snel vast en zijn gemakkelijker te geleiden.
- g) **Gebruik elektrische gereedschappen, toebehoren, inzetgereedschappen en dergelijke volgens deze aanwijzingen. Let daarbij op de arbeidsomstandigheden en de uit te voeren werkzaamheden.** Het gebruik van elektrische gereedschappen voor andere dan de voorziene toepassingen kan tot gevaarlijke situaties leiden.
- h) **Houd handgrepen en greepvlakken droog, schoon en vrij van olie en vet.** Gladde handgrepen en greepvlakken verhinderen dat het gereedschap in onverwachte situaties veilig kan worden gehanteerd en bediend.
- 5) GEBRUIK EN ONDERHOUD VAN ACCUGEREEDSCHAPPEN**
- a) **Laad accu's alleen op in opladers die door de fabrikant worden geadviseerd.** Voor een oplader die voor een bepaald type accu geschikt is, bestaat brandgevaar wanneer deze met andere accu's wordt gebruikt.
- b) **Gebruik alleen de daarvoor bedoelde accu's in de elektrische gereedschappen.** Het gebruik van andere accu's kan tot verwondingen en brandgevaar leiden.
- c) **Voorzoek aanraking van de niet-gebruikte accu met paperclips, munten, sleutels, spijkers, schroeven en andere kleine metalen voorwerpen die overbrugging van de contacten kunnen veroorzaken.** Kortsluiting tussen de accucontacten kan brandwonden of brand tot gevolg hebben.
- d) **Bij verkeerd gebruik kan vloeistof uit de accu lekken. Voorkom contact. Spoel bij onvoorzien contact met water af. Wanneer de vloeistof in de ogen komt, dient u bovendien een arts te raadplegen.** Gelekte accuvloeistof kan tot huidirritaties en verbrandingen leiden.
- e) **Gebruik accu of gereedschap niet, als deze beschadigd of veranderd zijn.** Beschadigde of veranderde accu's kunnen onvoorspelbaar gedrag

vertonen, waardoor een brand, explosie of het gevaar van letsel kan ontstaan.

- f) **Stel accu of gereedschap niet bloot aan vuur of overmatige temperaturen.** Blootstelling aan vuur of temperaturen boven 130°C kan een explosie veroorzaken.
 - g) **Volg alle aanwijzingen voor het laden en laad de accu of het gereedschap niet buiten het temperatuurbereik dat in de aanwijzingen is vermeld.** Verkeerd laden of laden bij temperaturen buiten het vastgelegde bereik kan de accu beschadigen en het risico van brand vergroten.
- 6) **SERVICE**
- a) **Laat het gereedschap alleen repareren door gekwalificeerd en vakkundig personeel en alleen met originele vervangingsonderdelen.** Daarmee wordt gewaarborgd dat de veiligheid van het gereedschap in stand blijft.
 - b) **Voer nooit servicewerkzaamheden aan beschadigde accu's uit.** Service van accu's dient uitsluitend te worden uitgevoerd door de fabrikant of erkende servicewerkplaatsen.

VEILIGHEIDSVOORSCHRIFTEN VOOR OPLAADBARE BOOR-/SCHROEFMACHINES

1) VEILIGHEIDSVOORSCHRIFTEN VOOR ALLE WERKZAAMHEDEN

- a) **Draag gehoorbescherming tijdens klopboren.** Blootstelling aan lawaai kan gehoorverlies tot gevolg hebben.
- b) **Houd het elektrische gereedschap vast aan de geïsoleerde greepvlakken als u werkzaamheden uitvoert waarbij het inzetgereedschap of de schroef verborgen stroomleidingen kan raken.** Contact met een onder spanning staande leiding kan ook metalen delen van het elektrische gereedschap onder spanning zetten en tot een elektrische schok leiden.

2) VEILIGHEIDSVOORSCHRIFTEN VOOR HET GEBRUIK VAN LANGE BOORBITS

- a) **Werk nooit met hogere snelheden dan de maximale snelheid van de boorbit.** Bij hogere snelheden kan de bit gaan buigen als men hem vrij laat draaien zonder contact met het werkstuk, wat persoonlijk letsel tot gevolg kan hebben.
- b) **Begin altijd bij lage snelheid te boren en met de punt van de boor in contact met het werkstuk.** Bij hogere snelheden kan de bit gaan buigen als men hem vrij laat draaien zonder contact met het werkstuk, wat persoonlijk letsel tot gevolg kan hebben.
- c) **Oefen uitsluitend kracht uit in de directe richting van de bit en oefen geen excessieve kracht uit.** Bits kunnen buigen waardoor ze kunnen breken of men de controle verliest, met persoonlijk letsel als gevolg.

ALGEMEEN

- Stof van materiaal zoals loodhoudende verf, sommige houtsoorten, mineralen en metaal kunnen schadelijk zijn (contact met of inademing van de stof kan allergische reacties en/of ademhalingsziekten bij gebruiker of omstanders veroorzaken); **draag een stofmasker en werk met een stofopvang-voorziening als die kan worden aangesloten**
- Bepaalde soorten stof zijn geclassificeerd als kankerverwekkend (zoals stof van eiken en beuken),

met name in combinatie met toevoegingsmiddelen voor houtverzorging; **draag een stofmasker en werk met een stofopvang-voorziening als die kan worden aangesloten**

- Neem voor de door u te bewerken materialen de nationale voorschriften aangaande stofopvang in acht
- **Bewerk geen asbesthoudend materiaal** (asbest geldt als kankerverwekkend)
- Zorg ervoor, dat knop K ② in de midden- (blokkeer-) positie staat, vóórdat u de machine instelt of accessoires verwisselt, en ook wanneer u de machine draagt of opbergt

ACCESSOIRES

- SKIL kan alleen een correcte werking van de machine garanderen, indien originele accessoires worden gebruikt
- Gebruik alleen accessoires met een toegestaan toerental, dat minstens even hoog is als het hoogste onbelaste toerental van de machine

VOÓR GEBRUIK

- Voorkom schade, die kan ontstaan door schroeven, spijkers en andere voorwerpen in uw werkstuk; verwijder deze, voordat u aan een karwei begint
- Controleer altijd of het voltage, dat vermeld staat op het typeplaatje van de oplader, overeenkomt met de netspanning
- **Zet het werkstuk vast** (een werkstuk, dat is vastgezet met klemmen of in een bankschroef, zit steviger vast dan wanneer het met de hand wordt vastgehouden)
- **Gebruik een geschikt detectieapparaat om verborgen stroom-, gas- of waterleidingen op te sporen of raadpleeg het plaatselijke energie- of waterleidingbedrijf** (contact met elektrische leidingen kan tot brand of een elektrische schok leiden; beschadiging van een gasleiding kan tot een explosie leiden; breuk van een waterleiding veroorzaakt materiële schade en kan tot een elektrische schok leiden)

TIJDENS GEBRUIK

- In geval van elektrische of mechanische storing, de machine onmiddellijk uitschakelen of de oplader uit het stopcontact halen

BATTERIJEN

- **De geleverde batterij is deels opgeladen** (om een volledige capaciteit van de batterij te garanderen, moet u de batterij volledig opladen in de oplader voordat u uw elektrische gereedschap voor de eerste keer gebruikt)
- **Gebruik uitsluitend de volgende batterijen en opladers voor deze machine**
 - SKIL-batterij: BR1*31****
 - SKIL-oplader: CR1*31****
- Gebruik de batterij niet, wanneer deze beschadigd is; vervang deze
- Haal de batterij niet uit elkaar
- Stel machine/batterij niet bloot aan regen
- Toegestane omgevingstemperatuur (machine/oplader/batterij):
 - bij het laden 4...40°C
 - bij het gebruik -20...+50°C
 - bij opslag -20...+50°C

UITLEG VAN SYMBOLEN OP MACHINE/BATTERIJ

- ③ Lees de gebruiksaanwijzing vóór gebruik
- ④ Batterijen exploderen als zij in vuur worden gegooid, dus verbrand de batterij in geen geval
- ⑤ Bewaar de machine/oplader/batterij op een plaats, waar de temperatuur niet hoger dan 50°C kan worden
- ⑥ Geef elektrisch gereedschap en batterijen niet met het huisvuil mee

GEBRUIK

- Gecombineerde schakelaar voor aan/uit en toerentalregeling A ②
 - regel het toerental traploos van 0 tot maximum door de schakelaar dieper in te drukken
- Opladen batterij
 - ! lees de veiligheids waarschuwingen en -voorschriften die bij de oplader worden geleverd
- Verwijderen/installeren van de batterij ②
- Bevestigen van de riemclip ⑦
 - bevestig de riemclip L aan de boor met de geleverde schroef.
- Batterijniveau-indicator ⑧
 - druk op de batterijniveau-indicator knop N om het huidige batterijniveau ⑧a aan te geven
 - ! **wanneer het laagste niveau van de batterij-indicator gaat knippen nadat er op knop N ⑧b is gedrukt, is de batterij leeg**
 - ! **wanneer 2 niveaus van de batterij-indicator gaan knippen nadat er op knop N ⑧c is gedrukt, is de batterij niet binnen het toegestane bedrijfstemperatuurbereik**
- LED-lampje M ⑬
 - LED-lamp M gaat automatisch branden bij het activeren van schakelaar A
 - ! **als het LED-lampje gaat knippen is de batterijbescherming geactiveerd (zie hieronder)**
- Batterijbescherming
 - De machine wordt plotseling uitgeschakeld of kan niet meer worden ingeschakeld, wanneer
 - **de belasting te hoog is** --> hef de belasting op en start opnieuw
 - **de temperatuur van de batterij niet binnen het toegestane bedrijfstemperatuurbereik ligt van -20 tot +50°C** --> 2 niveaus van de batterijniveau-indicator gaan knippen als er op knop N ⑧c wordt gedrukt; wacht tot de batterij weer binnen het toegestane bedrijfstemperatuurbereik zit
 - **de batterij bijna leeg is (ter bescherming tegen diepe ontlading)** --> er wordt (knipperend) een laag batterijniveau ⑧b aangegeven door de batterijniveau-indicator als er op knop N wordt gedrukt; batterij opladen
 - ! **blijf niet op de aan/uit-schakelaar drukken nadat de machine automatisch is uitgeschakeld; de batterij kan beschadigd worden**
- Omschakelen van draairichting ⑨
 - als de omkeerschakelaar niet in de uiterste stand op links/rechts staat, kan schakelaar A ② niet ingedrukt worden
 - ! **schakel de draairichting alleen om als de machine volledig stilstaat**
- Verwisselen van bits ⑩
 - ! **gebruik geen bits met een beschadigde schacht**
- Instelbaar koppel (VariTorque) ⑪
 - het afgegeven koppel zal toenemen als koppeling B wordt versteld van positie 1 naar positie 17
 - voor het indraaien van schroeven met VariTorque positie 1 beginnen en het koppel verhogen, totdat de gewenste diepte is bereikt
 - in positie F is de koppeling geblokkeerd, hetgeen zware schroef- en (niet-klop)boorwerkzaamheden mogelijk maakt

- in positie D is de koppeling geblokkeerd, waardoor alleen klopboren mogelijk is
- ! **zorg dat toerentalschakelaar B in positie 2 staat wanneer koppelingring C in de klopboorpositie staat**
- ! **gebruik klopboorpositie D niet bij het boren in hout, metaal, keramiek en kunststof om te voorkomen dat de boorpunt/schroefstift beschadigt**
- Mechanische toerentalkeuze ⑫
 - zet schakelaar G op het gewenste toerental
 - ! **bedien de toerentalschakelaar alleen als de machine langzaam loopt**

- 1
 - laag toerental
 - hoog koppel
 - voor schroeven en boren van grote diameters
 - voor draadtappen
 - 2
 - hoog toerental
 - lager koppel
 - voor klopboren
 - voor boren van kleine diameters
- Vasthouden en leiden van de machine ⑭
 - ! **houd de machine tijdens het werk altijd vast bij het(de) grijs-gekleurde greepvlak(ken)**
 - houd ventilatie-openingen J ② onbedekt
 - oefen niet te veel druk uit; laat de machine het werk voor u doen

ONDERHOUD / SERVICE

- Deze machine is niet bedoeld voor professioneel gebruik
- Houd machine altijd schoon (met name de ventilatie-openingen H ②)
 - ! **verwijder vóór het reinigen de batterij uit de machine**
- Mocht het elektrische gereedschap ondanks zorgvuldige fabricage- en testmethoden toch defect raken, dient de reparatie te worden uitgevoerd door een erkende klantenservice voor SKIL elektrische gereedschappen
 - stuur de machine **ongedemonteerd**, samen met het aankoopbewijs, naar het verkoopadres of het dichtstbijzijnde SKIL service-station (de adressen evenals de onderdeelenkenning van de machine vindt u op www.skil.com)
- Denk erom, dat beschadigingen als gevolg van overbelasting of onjuist gebruik van de machine niet onder de garantie vallen (voor de garantievoorwaarden van SKIL zie www.skil.com of raadpleeg uw dealer)

TOEPASSINGSADVIES

- Gebruik de juiste bits ⑬
 - ! **gebruik uitsluitend scherpe bits**
- Bij het boren in ijzerhoudende metalen
 - een kleiner gat voorbereiden, wanneer een groot gat nodig is
 - vet de boorpunt af en toe met olie in
- Altijd een gat voorbereiden bij het schroeven in/vlakbij de kopse- of zijkant van hout
- Voor een optimaal gebruik van uw machine is het nodig stevig op de schroef te drukken, met name bij uitdraaien
- Voor het indraaien van schroeven in hard hout dient een gat voorgeboord te worden

- Splintervrij boren in hout ⁽¹⁶⁾
- Stofvrij boren in muren ⁽¹⁷⁾
- Stofvrij boren in plafonds ⁽¹⁸⁾
- Boren in tegels zonder uitglijden ⁽¹⁹⁾
- Voor meer informatie zie www.skil.com

MILIEU

- **Geef elektrisch gereedschap, batterijen, accessoires en verpakkingen niet met het huisvuil mee** (alleen voor EU-landen)
 - volgens de Europese richtlijn 2012/19/EG inzake oude elektrische en elektronische apparaten en de toepassing daarvan binnen de nationale wetgeving, dient afgedankt elektrisch gereedschap gescheiden te worden ingezameld en te worden afgevoerd naar een recycle-bedrijf, dat voldoet aan de geldende milieu-eisen
 - symbool ⁽⁶⁾ zal u in het afdankstadium hieraan herinneren
- ! **bescherm de batterij-contacten met stevig plakband voordat ze afgedankt worden, om kortsluiting te voorkomen**

GELUID / VIBRATIE

- Gemeten in navolging van EN 62841 is het geluidsdrukniveau van deze machine 83,0 dB(A) en het geluidsvermogensniveau 94,0 dB(A) (onzekerheid K = 5 dB), en de trilling * (triax vector som; onzekerheid K = 1.5 m/s²)
 - * bij het boren in metaal <2,5 m/s²
 - * bij het klopboren in beton 7,9 m/s²
- Het trillingsemisniveau is gemeten in overeenstemming met een gestandaardiseerde test volgens EN 62841; deze mag worden gebruikt om twee machines met elkaar te vergelijken en als voorlopige beoordeling van de blootstelling aan trilling bij gebruik van de machine voor de vermelde toepassingen
 - gebruik van de machine voor andere toepassingen, of met andere of slecht onderhouden accessoires, kan het blootstellingsniveau aanzienlijk **verhogen**
 - wanneer de machine is uitgeschakeld of wanneer deze loopt maar geen werk verricht, kan dit het blootstellingsniveau aanzienlijk **reduceren**
- ! **bescherm uzelf tegen de gevolgen van trilling door de machine en de accessoires te onderhouden, uw handen warm te houden en uw werkwijze te organiseren**

S

Sladdlös slagborrmaskin/ 3018/3020 skruvdragare

INTRODUKTION

- Maskinen är avsedd för slagborrning i tegel samt för borring i trä, metall, keramik och plast; maskiner med elektronisk varvtalsreglering och höger-/ vänstergång är även lämpliga för skruvdragnings och gångskärning
- Det här verktyget är inte avsedd för yrkesmässig användning
- Läs och spara denna instruktionsbok ⁽³⁾

TEKNISKA DATA ⁽¹⁾

Max. vridmoment hårt skruvförband enligt ISO 5393 : 55Nm

VERKTYGSELEMENT ⁽²⁾

- A Strömbrytare för till/från och varvtalsreglering
- B Ring för justering av vridmoment
- C Omkopplare för byte av funktion
- D Slagborrposition
- E Borrposition
- F Skruvdragningsposition
- G Växellägesomkopplare
- H Indikator för vald rotationsriktning
- J Ventilationsöppningar
- K Omkopplare för reversering av rotationsriktningen
- L Bältesfäste
- M Lysdiodlampa
- N Batteriindikator

SÄKERHET

ALLMÄNNA SÄKERHETSANVISNINGAR FÖR ELVERKTYG

⚠ VARNING Studera alla varningar, anvisningar, bilder och specifikationer gällande säkerhet som medföljer verktyget. Om anvisningarna inte följs kan det resultera i elektriska stötar, brand och/eller allvarliga personskador.

Förvara alla varningar och anvisningar för framtida bruk.

Nedan använt begrepp "elverktyg" hänförs sig till nätdrivna elverktyg (med nätsladd) och till batteridrivna elverktyg (sladdlösa).

1) ARBETSPLATSSÄKERHET

- a) **Håll arbetsplatsen ren och välbelyst.** Oordning på arbetsplatsen eller dåligt belyst arbetsområde kan leda till olyckor.
- b) **Använd inte elverktynet i explosionsfarlig omgivning med brännbara vätskor, gaser eller damm.** Elverktynen alstrar gnistor som kan antända dammet eller gaserna.
- c) **Håll under arbetet med elverktynet barn och obehöriga personer på betryggande avstånd.** Om du störs av obehöriga personer kan du förlora kontrollen över elverktynet.

2) ELEKTRISK SÄKERHET

- a) **Elverktynets stickpropp måste passa till vägguttaget. Stickproppen får absolut inte förändras. Använd inte adapterkontakter tillsammans med skyddsjordade elverktyg.** Oförändrade stickproppar och passande vägguttag reducerar risken för elektriskt slag.
- b) **Undvik kroppskontakt med jordade ytor som t. ex. rör, värmelement, spisar och kylskåp.** Det finns en större risk för elektriskt slag om din kropp är jordad.
- c) **Skydda elverktynet mot regn och väta.** Tränger vatten in i ett elverktyg ökar risken för elektriskt slag.
- d) **Missbruka inte nätsladden och använd den inte för att bära eller hänga upp elverktynet och inte heller för att dra stickproppen ur vägguttaget. Håll nätsladden på avstånd från värme, olja, skarpa**

- kanter och rörliga maskindelar. Skadade eller tilltrasslade ledningar ökar risken för elektriskt slag.
- e) När du arbetar med ett elverktyg utomhus använd endast förlängningssladdar som är godkända för utomhusbruk. Om en lämplig förlängningssladd för utomhusbruk används minskar risken för elektriskt slag.
- f) Använd en jordfelsbrytare om det inte är möjligt att undvika elverktygets användning i fuktig miljö. Genom att använda en jordfelsbrytare minskas risken för elstöt.
- 3) PERSONSÅKERHET**
- a) Var uppmärksam, kontrollera vad du gör och använd elverktyget med förnuft. Använd inte elverktyget när du är trött eller om du är påverkad av droger, alkohol eller mediciner. Under användning av elverktyg kan även en kort uppmärksamhet leda till allvarliga kroppsskador.
- b) Bär alltid personlig skyddsutrustning och skyddsglasögon. Användning av personlig skyddsutrustning som t. ex. dammfiltermask, halkfria säkerhetsskor, skyddshjälm och hörselskydd reducerar alltefter elverktygets typ och användning risken för kroppsskada.
- c) Undvik oavsiktlig igångsättning. Kontrollera att elverktyget är fränkopplat innan du ansluter stickproppen till vägguttaget och/eller ansluter/tar bort batteriet, tar upp eller bär elverktyget. Om du bär elverktyget med fingret på strömställaren eller ansluter påkopplat elverktyg till nätströmmen kan olycka uppstå.
- d) Ta bort alla inställningsverktyg och skruvnycklar innan du kopplar på elverktyget. Ett verktyg eller en nyckel i en roterande komponent kan medföra kroppsskada.
- e) Överskatta inte din förmåga. Se till att du står stadigt och håller balansen. I detta fall kan du lättare kontrollera elverktyget i oväntade situationer.
- f) Bär lämpliga kläder. Bär inte löst hängande kläder eller smycken. Håll håret och kläderna på avstånd från de rörliga delarna. Löst hängande kläder, smycken och långt hår kan dras in av roterande delar.
- g) Vid elverktyg med dammutsugnings- och -uppsamlingsutrustning kontrollera att anordningarna är rätt monterade och används på korrekt sätt. Användning av dammutsugning minskar de risker damm orsakar.
- h) Låt inte vanan att ofta använda verktygen göra att du blir slarvig och ignorerar verktygets säkerhetsprinciper. En vårdslös åtgärd kan leda till allvarlig personskada inom bråkdelen av en sekund.
- 4) OMSORGSFULL HANTERING OCH ANVÄNDNING AV ELVERKTYG**
- a) Överbelasta inte elverktyget. Använd för aktuellt arbete avsett elverktyg. Med ett lämpligt elverktyg kan du arbeta bättre och säkrare inom angivet effektområde.
- b) Ett elverktyg med defekt strömställare får inte längre användas. Ett elverktyg som inte kan kopplas in eller ur är farligt och måste repareras.
- c) Dra stickproppen ur vägguttaget och/eller ta bort batteriet, om det kan tas ut ur elverktyget, innan inställningar utförs, tillbehör byts ut eller elverktyget lagras. Denna skyddsåtgärd förhindrar oavsiktlig inkoppling av elverktyget.
- d) Förvara elverktygen oåtkomliga för barn. Låt elverktyget inte användas av personer som inte är förtrogna med dess användning eller inte läst denna anvisning. Elverktygen är farliga om de används av oerfarna personer.
- e) Underhåll elverktyg och tillbehör omsorgsfullt. Kontrollera att rörliga komponenter fungerar felfritt och inte kärvar, att komponenter inte brustit eller skadats; orsaker som kan leda till att elverktygets funktioner påverkas menligt. Låt skadade delar repareras innan elverktyget återanvänds. Många olyckor orsakas av dåligt skötta elverktyg.
- f) Håll skärverktygen skarpa och rena. Omsorgsfullt skötta skärverktyg med skarpa eggar kommer inte så lätt i kläm och går lättare att styra.
- g) Använd elverktyget, tillbehör, insatsverktyg osv. enligt dessa anvisningar. Ta hänsyn till arbetsvillkoren och arbetsmomenten. Används elverktyget på icke ändamålsenligt sätt kan farliga situationer uppstå.
- h) Håll handtag och greppytor torra, rena och fria från olja och fett. Hala handtag och greppytor ger ingen säker hantering och kontroll över verktyget i oväntade situationer.
- 5) OMSORGSFULL HANTERING OCH ANVÄNDNING AV SLADDLÖSA ELVERKTYG**
- a) Ladda batterierna endast i de laddare som tillverkaren rekommenderat. Om en laddare som är avsedd för en viss typ av batterier används för andra batterityper finns risk för brand.
- b) Använd endast batterier som är avsedda för aktuellt elverktyg. Används andra batterier finns risk för kroppsskada och brand.
- c) Håll gem, mynt, nycklar, spikar, skruvar och andra små metallföremål på avstånd från reservbatterier för att undvika en bygling av kontaktarna. En kortslutning av batteriets kontakter kan leda till brännskador eller brand.
- d) Om batteriet används på fel sätt finns risk för att vätska rinner ur batteriet. Undvik kontakt med vätskan. Vid oavsiktlig kontakt spola med vatten. Om vätska kommer i kontakt med ögonen uppsök dessutom läkare. Batterivätskan kan medföra hudirritation eller brännskada.
- e) Använd inte batteriet eller verktyg som är skadade eller modifierade. Skadade eller modifierade batterier kan bete sig oväntat vilket leder till brand, explosion eller risk för personskador.
- f) Du ska inte exponera ett batteri eller verktyg för brand eller för hög temperatur. Exponering för brand eller temperaturer över 130°C kan leda till explosion.
- g) Följ alla laddningsinstruktioner och ladda inte batteriet eller verktyget utanför det temperaturomfång som specificeras i instruktionerna. En olämplig laddning eller en laddning vid en temperatur som ligger utanför det specificerade området kan skada batteriet och öka brandrisken.
- 6) SERVICE**
- a) Låt elverktyget repareras endast av kvalificerad fackpersonal och med originalreservdelar. Detta garanterar att elverktygets säkerhet upprätthålls.
- b) Utför aldrig service på skadade batterier. Service på batterier får endast utföras av tillverkaren eller auktoriserade tjänsteleverantörer.

SÄKERHETSANVISNINGAR FÖR SLADDLÖS BORRMASKIN/SKRUVDRAGAR

1) SÄKERHETSANVISNINGAR FÖR ALLA ÅTGÄRDER

- Använd hörselskydd vid slagborring.** Buller kan orsaka hörselnedsättning.
- Håll verktyget i de isolerade greppytorna när du utför en åtgärd där skärtilbehör eller fästen kan innehålla dolda kablage.** Skärtilbehör och fästen som kommer i kontakt med en strömförande ledning kan medföra att verktygets exponerade metalldelar blir strömförande och leda till att användaren får en elektrisk stöt.

2) SÄKERHETSANVISNINGAR VID ANVÄNDNING AV LÅNGA BORRBITAR

- Använd aldrig högre varvtal än borrbitens klassade maximala varvtal.** Vid högre varvtal är det troligt att biten böjs om den får rotera fritt utan kontakt med arbetsstycket, vilket kan leda till personskador.
- Börja alltid borra med låg hastighet och med bitspetsen i kontakt med arbetsstycket.** Vid högre varvtal är det troligt att biten böjs om den får rotera fritt utan kontakt med arbetsstycket, vilket kan leda till personskador.
- Använd tryck endast i direkt linje med biten och tryck inte för mycket.** Bitar kan böjas, vilket orsakar brott eller förlorad kontroll, vilket kan leda till personskador.

ALLMÄNT

- Viss typ av damm, exempelvis färg som innehåller bly, vissa träsorter, mineraler och metaller kan vara hälsovådliga om de inhaleras (hudkontakt eller inandning) eller om de orsakar allergisk reaktion och/eller luftvägsproblem/sjukdom hos personer i närheten); **använd andningsskydd och arbeta med en dammsugare om sådan anslutning finns**
- Vissa typer av damm är klassificerade så som carcinogena (t.ex. ek- och björkdamm) särskilt i kombination med tillsatser för träbehandling; **använd andningsskydd och arbeta med en dammsugare om sådan anslutning finns**
- Följ de nationella krav, som finns angående damm, för de material du skall arbeta med
- Asbesthaltigt material får inte bearbetas** (asbest anses vara cancerframkallande)
- Kontrollera att omkopplare K ② är i mellan position (låst läge) innan inställningar utförs eller tillbehörskomponenter byts eller maskinen transporteras eller lagras

TILLBEHÖR

- SKIL kan endast garantera att maskinen fungerar felfritt om originaltillbehör används
- Använd endast tillbehör vilkas tillåtna varvtal åtminstone motsvarar maskinens högsta tomgångsvarvtal

FÖRE ANVÄNDNINGEN

- Undvik skador genom att ta bort skruvar, spikar eller andra föremål ur arbetsstycket; ta dem bort innan du startar ett arbete
- Kontrollera alltid att den tillförda strömtypen stämmer med spänningen som anges på laddarens märkplåt
- Sätt fast arbetsstycket** (ett arbetsstycke festsatt med skruvtingar eller i ett skruvstöd är mera stabilt än om det hålls fast för hand)
- Använd lämpliga detektorer för lokalisering av dolda försörjningsledningar eller konsultera lokalt distributionsföretag** (kontakt med elledning kan

försäkra brand och elstöt; en skadad gasledning kan leda till explosion; borring i vattenledning kan försäkra saksador eller elstöt)

UNDER ANVÄNDNINGEN

- I händelse av onormala elektriska eller mekaniska störningar, stäng genast av maskinen eller dra ur laddarens stickpropp från elurtaget

BATTERIERNA

- Det medföljande batteriet är delvis laddat** (i syfte att garantera batteriets fulla kapacitet ska det laddas helt och hållet i batteriladdaren innan verktyget används för första gången)
- Använd endast följande batterier och laddare med det här verktyget**
 - SKIL-batteri: BR1*31****
 - SKIL-laddare: CR1*31****
- Använd inte batteriet om det är skadat; det ska bytas ut
- Demontera inte batteriet
- Utsätt inte verktyget/batteriet för regn
- Tillåten omgivningstemperatur (verktyg/laddare/batteri):
 - vid laddning 4...40°C
 - vid drift -20...+50°C
 - vid förvaring -20...+50°C

FÖRKLARING AV SYMBOLER PÅ VERKTYGET/ BATTERIET

- Läs bruksanvisningen före användning
- Batterierna kan explodera om de utsätts för eld, undanhåll batterierna från heta källor
- Förvara maskinen/laddaren/batteriet i lokaler, där temperaturen inte överstiger 50°C
- Elektriska verktyg och batterier får inte kastas i hushållssoporna

ANVÄNDNING

- Kombinerad strömbrytare för till/från och hastighetskontroll A ②
 - variera hastigheten steglöst från noll till maximum genom att trycka mer eller mindre på avtryckaren
- Laddning av batteri
 - ! läs säkerhetsvarningarna och anvisningarna som levereras med laddaren**
 - Ta bort/sätta i batteriet ②
 - Ansluta bältesfästet ⑦
 - anslut bältesfästet L till borrmaskinen med den medföljande skruven.
 - Batteriindikator ⑧
 - tryck på indikatorknappen N för batterinivå för att visa aktuell batterinivå ⑧a
 - ! när batteriindikatorns lägsta nivå börjar att blinka efter att knappen N ⑧b tryckts in, är batteriet tomt**
 - ! när batteriindikatorns lägsta nivåer 2 börjar blinka efter knappen N ⑧c tryckts in, är batteriet inte inom tillåtet driftstemperaturområde**
 - Lysdiodlampa M ⑩
 - Lysdiodlampan M tänds automatiskt när brytaren A aktiveras
 - ! när lysdiodlampan börjar att blinka, är batteriskyddet aktiverat (se nedan)**
- Batteriskydd
 - Verktyget stängs plötsligt av eller förhindras att startas när
 - belastningen är för hög** --> ta bort belastning och starta om

- **batteriets temperatur över- eller underskrider arbetsområdet -20 till +50°C** --> batteriindikatorns nivåer 2 börjar blinka när knappen N ③ c trycks in; vänta tills batteriet återigen är inom tillåtet driftstemperaturområde
- **batteriet är nästan tomt (för att skydda fullständig urladdning)** --> en låg batterinivå eller blinkande låg batterinivå ③ b visas av batteriindikatorn när knappen N trycks på; ladda batteriet

! fortsätt inte trycka på till-/frånknappen efter att verktyget stängts av automatiskt; batteriet kan skadas

- Reversering av rotationsriktningen ⑨
 - om inte vänster/höger är inställt i rätt läge, kan inte strömbrytaren A ② tryckas in
- ! ändra rotationsriktningen när maskinen är helt stilla**
- Byte av bits ⑩
 - ! använd aldrig bits med trasig axel**
- Justering av vridmoment (VariTorque) ⑪
 - vridmomentet ökas genom att ringen B vrids från 1 till v17
 - vid idragning av en skruv, försök först med VariTorque position 1 och öka tills det rätta djupet är nått
 - läget F låser kopplingen för att möjliggöra tyngre (ej slag-)borrnings- eller skruvdragningsjobb
 - läget D kopplingen för att enbart möjliggöra slagborring
- ! kontrollera att växellägesomkopplaren B står på läge 2 när chuckringen C är inställd på slagborrningsläget**
- ! använd inte slagborrningsläget D för borring i trä, metall, keramik eller plast då detta kan skada borren/skruvmejseln**
- Mekaniskt växelval ⑫
 - ställ in omkopplaren G på önskat varvtal
- ! påverka växellägesomkopplaren när maskinen går sakta**
- 1
 - låg hastighet
 - högt vridmoment
 - för skruvdragnings och borring av stora diametrar
 - för gångskärning
- 2
 - hög hastighet
 - lågt vridmoment
 - för slagborring
 - för borring av små diametrar
- Fattning och styrning av maskinen ⑬
 - ! under arbetet, håll alltid verktyget i det grå greppet**
 - håll ventilationsöppningarna J ② ej övertäckta
 - lägg inte för mycket tryck på verktyget; låt verktyget göra arbetet åt dig

UNDERHÅLL / SERVICE

- Det här verktyget är inte avsedd för yrkesmässig användning
- Håll alltid verktyget rent (i synnerhet ventilationsöppningarna H ②)
 - ! ta bort batteriet från verktyget före rengöring**
- Om i elverktyget trots exakt tillverkning och sträng kontroll störning skulle uppstå, bör reparation utföras av

- auktoriserad serviceverkstad för SKIL elverktyg
- sänd in verktyget i **odemonterat skick** tillsammans med inköpsbevis till försäljaren eller till närmaste SKIL serviceverkstad (adresser till servicestationer och sprängskisser av maskiner finns på www.skil.com)
- Observera att skada till följd av ovarsamhet eller överbelastning inte täcks av garantin (för SKIL garantivillkor gå till www.skil.com eller fråga återförsäljaren)

ANVÄNDNINGSTIPS

- Använd rätt bits ⑮
 - ! använd endast skarpa bits**
- När du borrar i järnmetaller
 - förborra ett mindre hål då ett större behövs
 - olja in borren emellanåt
- Vid idragning av en skruv nära kortänden eller på sidan av trämaterialet skall förborring ske för att undvika sprickbildning
- För bästa användning av maskinen är det nödvändigt med ett jämnt tryck på skruven, speciellt vid urdragning
- Vid skruvning i hårt trä bör man först förborra ett hål
- Splinterfri borring i trä ⑯
- Dammfri borring i tagg ⑰
- Dammfri borring i tak ⑱
- Borring i kavel utan att slinta ⑲
- Besök www.skil.com för mer information

MILJÖ

- **Elektriska verktyg, batterier, tillbehör och förpackning får inte kastas i hushållssoporna** (gäller endast EU-länder)
 - enligt direktivet 2012/19/EG som avser äldre elektrisk och elektronisk utrustning och dess tillämpning enligt nationell lagstiftning ska uttjänta elektriska verktyg sorteras separat och lämnas till miljövänlig återvinning
 - symbolen ⑥ kommer att påminna om detta när det är tid att kassera
- ! före avyttring av batterierna, tejpa kontaktytorna med kraftigt tejp för att undvika kortslutning**

LJUD / VIBRATION

- Det här verktygets ljudtrycksnivå som mätts enligt EN 62841 är 83,0 dB(A), ljudeffektnivån är 94,0 dB(A) (osäkerhet K = 5 dB) och vibrationen * (triax vektorsumma; osäkerhet K = 1,5 m/s²)
 - * vid borring i metall <2,5 m/s²
 - * vid slagborring i betong 7,9 m/s²
- Vibrationsemissionsvärdet har uppmätts enligt ett standardiserat test i enlighet med EN 62841; detta värde kan användas för att jämföra vibrationen hos olika verktyg och som en ungefärlig uppskattning av hur stor vibration användaren utsätts för när verktyget används enligt det avsedda syftet
 - om verktyget används på ett annat än det avsedda syftet eller med fel eller dåligt underhållna tillbehör kan detta drastiskt **öka** vibrationsnivån
 - när verktyget stängs av eller är på men inte används, kan detta avsevärt **minska** vibrationsnivån
- ! skydda dig mot vibration genom att underhålla verktyget och dess tillbehör, hålla händerna varma och styra upp ditt arbetssätt**

Akkuslagbore-/ skruemaskine 3018/3020

INLEDNING

- Værktøjet er beregnet til slagboring i tegl samt til boring i træ, metal, keramik og kunststof; værktøj med elektronisk regulering af omdrejningstal og højre-/ venstrelob er også egnet til skruearbejde og gevindskæring
- Dette værktøj er ikke beregnet til professionelt brug
- Læs og gem denne betjeningsvejledning ③

TEKNISKE DATA ①

Max. drejningsmoment hårdt skruearbejde iht. ISO 5393 : 55Nm

VÆRKTØJETS DELE ②

- A Afbryder til tænd/sluk og regulering af omdrejningstal
- B Ring til justering af drejningsmoment
- C Kontakt til skiftefunktion
- D Position for slagboring
- E Position for boring
- F Skruetrækkerposition
- G Gearomskifter
- H Indikator for valgt omdrejningsretning
- J Ventilationshuller
- K Omskifter til ændring af omdrejningsretningen
- L Båndclip
- M LED-lys
- N Indikator for batteritilstand

SIKKERHED

GENERELLE SIKKERHEDSINSTRUKSER FOR EL-VÆRKTØJ

⚠ ADVARSEL Læs alle sikkerhedsadvarsler, instruktioner, illustrationer og specifikationer, der leveres med dette elektriske værktøj. Hvis alle instruktioner opført herunder ikke følges, kan det medføre elektrisk stød, brand og/eller alvorlige kvæstelser.

Gem alle advarsler og instruktioner til senere brug.

Begrebet "elværktøj" i advarselne refererer til elværktøj, der kører på lysnettet (med netkabel) samt batteridrevet værktøj (uden netkabel).

1) SIKKERHED PÅ ARBEJDSPLADSEN

- a) **Sørg for, at arbejdsområdet er rent og ryddeligt.** Uorden eller uoplyste arbejdsområder øger faren for uheld.
- b) **Brug ikke elværktøjet i eksplosionstruede omgivelser, hvor der er brændbare væsker, gasser eller støv.** Elværktøj kan slå gnister, der kan antænde støv eller dampe.
- c) **Sørg for, at andre personer og ikke mindst børn holdes væk fra arbejdsområdet, når el-værktøjet er i brug.** Hvis man distraheres, kan man miste kontrollen over elværktøjet.

2) ELEKTRISK SIKKERHED

- a) **Elværktøjets stik skal passe til kontakten. Stikket må under ingen omstændigheder ændres. Brug ikke adapterstik sammen med jordforbundet elværktøj.** Uændrede stik, der passer til kontakterne, nedsætter risikoen for elektrisk stød.
- b) **Undgå kropskontakt med jordforbundne overflader som f.eks. rør, radiatorer, komfurer og køleskabe.** Hvis din krop er jordforbundet, øges risikoen for elektrisk stød.
- c) **Elværktøjet må ikke udsættes for regn eller fugt.** Indtrængning af vand i et elværktøj øger risikoen for elektrisk stød.
- d) **Brug ikke ledningen til formål, den ikke er beregnet til. Du må aldrig bære elværktøjet i ledningen, hænge elværktøjet op i ledningen eller rykke i ledningen for at trække stikket ud af kontakten. Beskyt ledningen mod varme, olie, skarpe kanter eller maskindele, der er i bevægelse.** Beskadigede eller udviklede ledninger øger risikoen for elektrisk stød.
- e) **Hvis elværktøjet benyttes i det fri, må der kun benyttes en forlængerledning, der er egnet til udendørs brug.** Brug af forlængerledning til udendørs brug nedsætter risikoen for elektrisk stød.
- f) **Hvis det ikke kan undgås at bruge elværktøjet i fugtige omgivelser, skal der bruges et HFI-relæ.** Brug af et HFI-relæ reducerer risikoen for at få elektrisk stød.

3) PERSONLIG SIKKERHED

- a) **Det er vigtigt at være opmærksom, se, hvad man laver, og bruge el-værktøjet fornuftigt. Brug ikke noget el-værktøj, hvis du er træt, har nydt alkohol eller er påvirket af medikamenter eller euforiserende stoffer.** Få sekunders uopmærksomhed ved brug af el-værktøjet kan føre til alvorlige personskader.
- b) **Brug beskyttelsesudstyr og hav altid beskyttelsesbriller på.** Brug af sikkerhedsudstyr som f.eks. støvmaske, skridsikket fodtøj, beskyttelseshjelm eller høreværn afhængig af maskintype og anvendelse nedsætter risikoen for personskader.
- c) **Undgå utilsigtet igangsætning. Kontrollér, at el-værktøjet er slukket, før du tilslutter det til strømtilførslen og/eller akkuen, løfter eller bærer det.** Undgå at bære el-værktøjet med fingeren på afbryderen og sørg for, at el-værktøjet ikke er tændt, når det slutes til nettet, da dette øger risikoen for personskader.
- d) **Gør det til en vane altid at fjerne indstillingsværktøj eller skruenøgle, før el-værktøjet tændes.** Hvis et stykke værktøj eller en nøgle sidder i en roterende maskindel, er der risiko for personskader.
- e) **Undgå en unormal legemsposition. Sørg for at stå sikkert, mens der arbejdes, og kom ikke ud af balance.** Dermed har du bedre muligheder for at kontrollere el-værktøjet, hvis der skulle opstå uventede situationer.
- f) **Brug egnet arbejdstøj. Undgå løse bekædningsgenstande eller smykker. Hold hår og tøj væk fra dele, der bevæger sig.** Dele, der er i bevægelse, kan gribe fat i løstsiddende tøj, smykker eller langt hår.
- g) **Hvis støvsugnings- og opsamlingsudstyr kan monteres, er det vigtigt, at dette tilsluttes og benyttes korrekt.** Brug af en støvsugning kan

reducere støvmængden og dermed den fare, der er forbundet støv.

- h) **Selvom du kender værktøjet godt og er vant til at bruge det, skal du alligevel være opmærksom og overholde sikkerhedsanvisningerne.** Et øjeblikvis uopmærksomhed kan medføre alvorlige personskader.
- 4) **OMHYGGELIG OMGANG MED OG BRUG AF EL-VÆRKTØJ**
 - a) **Undgå overbelastning af el-værktøjet. Brug altid et el-værktøj, der er beregnet til det stykke arbejde, der skal udføres.** Med det passende el-værktøj arbejder man bedst og mest sikkert inden for det angivne effektområde.
 - b) **Brug ikke et el-værktøj, hvis afbryder er defekt.** Et el-værktøj, der ikke kan startes og stoppes, er farlig og skal repareres.
 - c) **Træk stikket ud af stikkontakten og/eller fjern akkuen, hvis den er aftagelig, før maskinen indstilles, før skift af tilbehørsdele eller før el-værktøjet lægges til opbevaring.** Disse sikkerhedsforanstaltninger forhindrer utilsigtet start af el-værktøjet.
 - d) **Opbevar ubenyttet el-værktøj uden for børns rækkevidde. Lad aldrig personer, der ikke er fortrolige med el-værktøjet eller ikke har gennemlæst disse instrukser, benytte el-værktøjet.** El-værktøj er farligt, hvis det benyttes af ukyndige personer.
 - e) **Vedligehold el-værktøj og tilbehørsdele. Kontroller, om bevægelige maskindele fungerer korrekt og ikke sidder fast, og om delene er brækket eller beskadiget, således at el-værktøjets funktion påvirkes. Få beskadigede dele repareret, inden el-værktøjet tages i brug.** Mange uheld skyldes dårligt vedligeholdte el-værktøjer.
 - f) **Sørg for, at skæreværktøjer er skarpe og rene.** Omhyggeligt vedligeholdte skæreværktøjer med skarpe skærekanter sætter sig ikke så hurtigt fast og er nemmere at føre.
 - g) **Brug el-værktøj, tilbehør, indsatsværktøj osv. iht. disse instrukser. Tag hensyn til arbejdsforholdene og det arbejde, der skal udføres.** Anvendelse af el-værktøjet til formål, som ligger uden for det fastsatte anvendelsesområde, kan føre til farlige situationer.
 - h) **Hold håndtag og gribeblader tørre, rene og fri for olie og smørefedt.** Hvis håndtag og gribeblader er glatte, kan værktøjet ikke håndteres og styres sikkert, hvis der sker noget uventet.
- 5) **OMHYGGELIG OMGANG MED OG BRUG AF AKKU-VÆRKTØJER**
 - a) **Oplad kun akkuer i ladeaggregater, der er anbefalet af fabrikanten.** Et ladeaggregat, der er egnet til en bestemt type akkuer, må ikke benyttes med andre akkuer - brandfare.
 - b) **Brug kun de akkuer, der er beregnet til værktøjet.** Brug af andre akkuer øger risikoen for personskader og er forbundet med brandfare.
 - c) **Ikke benyttede akkuer må ikke komme i berøring med kontorclips, mønter, nøgler, som, skruer eller andre små metalgenstande, da disse kan kortslutte kontakterne.** En kortslutning mellem akku-kontakterne øger risikoen for personskader i form af forbrændinger.

- d) **Hvis akkuen anvendes forkert, kan der slippe væske ud af akkuen. Undgå at komme i kontakt med denne væske. Hvis det alligevel skulle ske, skylles med vand. Søg læge, hvis væsken kommer i øjnene.** Akku-væske kan give hudirritation eller forbrændinger.
- e) **Brug ikke akkuer eller værktøj, som er beskadiget eller modificeret.** Beskadigede eller modificerede akkuer kan opføre sig uforudsigeligt og forårsage brand, eksplosion eller fare for personskade.
- f) **Akkuer eller værktøj må ikke udsættes for ild eller meget høje temperaturer.** Ild eller temperaturer over 130°C kan medføre eksplosion.
- g) **Følg alle instruktioner for opladning. Akkuen må ikke oplades ved temperaturer uden for det område, der er angivet i instruktionerne.** Forkert opladning eller opladning ved temperaturer uden for det angivne område kan medføre skader på akkuen og forøge brandfaren.
- 6) **SERVICE**
 - a) **Sørg for, at el-værktøj kun repareres af kvalificerede fagfolk og at der kun benyttes originale reservedele.** Dermed sikres størst mulig maskinsikkerhed.
 - b) **Beskadigede akkuer må aldrig repareres.** Reparation af akkuer må kun udføres af producenten eller autoriserede reparatører.

SIKKERHEDSINSTRUKSER FOR AKKUBORE-/SKRUEMASKINE

- 1) **SIKKERHEDSANVISNINGER FOR ALT ARBEJDE**
 - a) **Bær høreværn ved slagboring.** Eksponering for støj kan forårsage høreskader.
 - b) **Hold elværktøjet i de isolerede greb, når der udføres arbejde, hvor skæretilbehøret eller skruen kan komme i berøring med skjulte ledninger.** Skæretilbehør og skruer, der kommer i kontakt med en spændingsførende ledning, kan også sætte eksponerede metaldele på elværktøjet uden spænding, hvilket kan give brugeren elektrisk stød.
- 2) **SIKKERHEDSANVISNINGER VED ANVENDELSE AF LANGE BOREBITS**
 - a) **Arbejd aldrig med højere hastighed end den maksimale hastighedsangivelse for borebitten.** Ved højere hastigheder kan borebitten bøje, hvis den får lov til at rotere frit uden kontakt med arbejdsemnet, hvilket medfører personskader.
 - b) **Start altid boringen ved lav hastighed og med bittens spids i kontakt med arbejdsemnet.** Ved højere hastigheder kan borebitten bøje, hvis den får lov til at rotere frit uden kontakt med arbejdsemnet, hvilket medfører personskader.
 - c) **Påfør kun tryk i direkte linje med bittens og anvend ikke for kraftigt tryk.** Bits kan bøje som følge af brud eller manglende kontrol, hvilket kan medføre personskader.
- GENERELT
 - Støv fra materiale som f.eks. maling, der indeholder bly, nogle træsorter, mineraler og metal kan være skadeligt (kontakt med eller indånding af støvet kan forårsage allergiske reaktioner og/eller sygdomme i luftvejene hos den, der anvender værktøjet, eller hos omkringstående); **bær en støvmaske og arbejd med en støvudsugningsanordning, hvor en sådan kan slutes til**

- Visse slags støv er klassificeret som kræftfremkaldende (som f.eks. støv fra eg og bøg) især i forbindelse med tilsætningsstoffer til træbehandling; **bær en støvmaske og arbejd med en støvsugningsanordning, hvor en sådan kan sluttes til**
- Følg de nationale krav, hvad angår støv, for de materialer, du ønsker at arbejde med
- **Bearbejd ikke asbestholdigt materiale** (asbest er kræftfremkaldende)
- Kontroller, at omskifter K ② er i midterste (låst) position inden værktøjet indstilles eller der skiftes tilbehørsdele eller værktøjet bæres eller lægges fra

TILBEHØR

- SKIL kan kun sikre en korrekt funktion af værktøjet, hvis der benyttes originalt tilbehør
- Der må kun benyttes tilbehør, hvis godkendte omdrejningstal er mindst så højt som værktøjets max. omdrejningstal i ubelastet tilstand

INDEN BRUG

- Undgå skader forårsaget af skruer, søm eller andre materialer i arbejdsstykket; fjern disse før De begynder at arbejde
- Kontrollér altid at forsyningsspændingen er den samme som den spænding, der er anført på opladerens navneskilt
- **Fastgør emnet** (det er sikrere at holde emner i en fastgøringsanordning eller skruestik end med hånden)
- **Anvend egnede søgeinstrumenter til at finde frem til skjulte forsyningsledninger eller kontakt det lokale forsyningselskab** (kontakt med elektriske ledninger kan føre til brand og elektrisk stød; beskadigelse af en gasledning kan føre til eksplosion; brud på et vandrør kan føre til materiel skade eller elektrisk stød)

UNDER BRUG

- I tilfælde af elektrisk eller mekanisk fejlfunktion skal værktøjet straks afbrydes eller opladeren fjernes fra stikkontakten

BATTERIERNE

- **Det medfølgende batteri er delvist opladet** (for at sikre fuld kapacitet af batteriet skal det oplades helt i batteriopladeren, inden du anvender dit elværktøj første gang)
- **Anvend kun de følgende batterier og batteriopladere, der leveres med dette værktøj**
 - SKIL-batteri: BR1*31****
 - SKIL-oplader: CR1*31****
- Brug ikke batteriet, hvis det er beskadiget. Det skal udskiftes
- Adskil ikke batteriet
- Udsæt ikke værktøjet/batteriet for regn
- Tilladt omgivelsestemperatur (værktøj/oplader/batteri):
 - ved opladning 4...40°C
 - ved drift -20...+50°C
 - ved opbevaring -20...+50°C

FORKLARING TIL SYMBOLERNE PÅ VÆRKTØJET/ BATTERI

- ③ Læs instruktionen inden brugen
- ④ Batterier vil eksplodere, hvis de kommes i ild, så forsøg aldrig at brænde batteriet
- ⑤ Opbevar værktøj/opladeren/batteriet i et lokale, hvor temperaturen ikke overstiger 50°C
- ⑥ Elværktøj og batterier må ikke bortskaffes som almindeligt affald

BETJENING

- Kombineret afbryder for til/fra og hastighedskontrol A ②
 - kontroller hastigheden trinløst fra nul til maks. hastighed ved at trykke mere eller mindre på afbryderen
- Opladning af batteriet
 - ! **Læs sikkerhedsadvarselserne og -anvisningerne, der følger med opladeren**
- Afmontering/montering af batteriet ②
- Fastgørelse af båndklipsen ⑦
 - fastgør båndklipsen L på boret med den medfølgende skruer.
- Indikator for batteritilstand ⑧
 - tryk på indikatorknappen for batteriniveau N for at se batteriets aktuelle status ⑧a
 - ! **batteriet er fladt, hvis den nederste statusindikator begynder at blinke, efter at der er blevet trykket på N ⑧b**
 - ! **hvis 2 niveauer for batteriindikatoren begynder at blinke, efter at der er blevet trykket på knappen N ⑧c, er batteriet ikke i det temperaturområde, hvor betjening er tilladt**
- LED-lys M ⑩
 - LED-lampen M tændes automatisk, når der trykkes på en knap A
 - ! **når LED-lyset begynder at blinke, aktiveres batteribeskyttelsen (se nedenfor)**
- Batteribeskyttelse
 - Værktøjet slukker med det samme eller forhindrer at blive startet, hvis
 - belastningen er for stor --> fjern belastning og genstart
 - batteritemperaturen ikke er inden for det tilladte driftstemperaturområde fra -20 til +50°C --> 2 niveauer for batteriindikatoren begynder at blinke, efter at der er blevet trykket på knappen N ⑧c; vent, indtil batteriet er vendt tilbage til det tilladte driftstemperaturområde
 - batteriet er næsten tomt (for at beskytte mod dyb afladning) --> et lavt batteriniveau eller et lavt batteriniveau, hvor indikatoren blinker ⑧b vises af batteriindikatoren, hvis der trykkes på knappen N; oplad batteri
 - ! **undlad at betjene kontakten, efter at der er slukket for værktøjet, da det kan beskadige batteriet**
- Ændring af drejningsretningen ⑨
 - afbryderen A ② kan ikke aktiveres, hvis retningsskifteren ikke er indstillet korrekt
 - ! **ændre kun drejningsretningen når værktøjet er standstillet helt**
- Ombytning af bits ⑩
 - ! **brug ikke bits med beskadiget skaft**
- Justering af drejningsmoment (VariTorque) ⑪
 - trækkræften vil forøges når indstillingsringen B drejes fra 1 til 17
 - ved iskruning af en skrue, prøv først VariTorque stilling 1 og forøg derefter på skalaen indtil den ønskede dybde er nået
 - position F vil tillade may trækraft til (ikke slag-)boring og skrunding meget kraftigt arbejde
 - position D vil kun tillade may trækraft til slagboring
 - ! **kontroller, at gearomskifteren B er i position 2, når indstillingsringen C er sat til positionen for slagboring**
 - ! **brug ikke positionen til slagboring D til boring i træ, metal, keramik eller plastik for herved at undgå, at boret/skruebitten bliver ødelagt**

- Mekanisk gearvalg ¹²
 - stil omskifteren G på ønskede omdrejningstal
 - ! **tryk på gearomskifteren mens værktøjet kører langsomt**

1

- lav omdrejningstal
- stor trækraft
- for iskrurning og boring ved store diametre på bor
- for gevindskæring

2

- høj omdrejningstal
- lavere trækraft
- for slagboring
- for boring ved små diametre
- Håndtering og styring af værktøjet ¹⁴
 - ! **under arbejde, hold altid om værktøjet på de grå markerede grebsområde(r)**
 - hold ventilationshullerne J ² utildækkede
 - pres ikke for hårdt med værktøjet; lad værktøjet gøre arbejdet for dig

VEDLIGEHOLDELSE/SERVICE

- Dette værktøj er ikke beregnet til professionelt brug
- Hold altid værktøjet rent (især ventilationshuller H ²)
 - ! **tag batteriet ud af værktøjet inden rengøring**
- Skulle elværktøjet trods omhyggelig fabrikation og kontrol skulle holde op med at fungere, skal reparationen udføres af et autoriseret serviceværksted for SKIL-elektroværktøj
 - send det **ikke adskilte** værktøj sammen med et købsbevis til forhandleren eller nærmeste SKIL-serviceværksted (adresser og reservedelstegning af værktøjet findes på www.skil.com)
- Husk, at beskadigelse som følge af overbelastning eller forkert håndtering af værktøjet ikke er omfattet af garantien (se www.skil.com vedrørende SKIL-garantibetingelserne, eller spørg din forhandler)

GODE RÅD

- Brug rigtige bits ¹⁵
 - ! **brug kun skarpe bits**
- Ved boring i jernholdige metaller
 - forbor et mindre hul, når et stort hul skal bores
 - sørg for at smøre boret en gang imellem med olien
- Ved iskrurning af en skrue nær endeflader eller i endetræ bør der forbores for at undgå splinter i træet
- For at få optimal glæde af værktøjet er det nødvendig med ed jævn tryk på skruen, især ved udskrurning
- Ved iskrurning i hårdt træ anbefales det at forbore
- Splintfri boring i træ ¹⁶
- Støvfri boring i vægge ¹⁷
- Støvfri boring i lofter ¹⁸
- Boring i fliser uden udskridning ¹⁹
- Se yderligere oplysninger på www.skil.com

MILJØ

- **Elværktøj, batterier, tilbehør og emballage må ikke bortskaffes som almindeligt affald** (kun for EU-lande)
 - i henhold til det europæiske direktiv 2012/19/EF om bortskaffelse af elektriske og elektroniske produkter og gældende national lovgivning, skal brugt elværktøj indsamles separat og bortskaffes på en måde, der skåner miljøet mest muligt

- symbolet ⁶ erindrer dig om dette, når udskiftning er nødvendig

! **beskyt batteri terminaler med bredt tape for at undgå kortslutning**

STØJ / VIBRATION

- Målt i henhold til EN 62841 er lydtryksniveauet for dette værktøj 83,0 dB(A) og lydeffektniveauet 94,0 dB(A) (usikkerhed K = 5 dB), og vibrationen * (triax vector sum; usikkerhed K = 1.5 m/s²)
 - * ved boring i metal <2,5 m/s²
 - * ved slagboring i beton 7,9 m/s²
- Vibrationsniveauet er målt i henhold til den standardiserede test som anført i EN 62841. Det kan benyttes til at sammenligne to stykker værktøj og som en foreløbig bedømmelse af udsættelsen for vibrationer, når værktøjet anvendes til de nævnte form
 - anvendes værktøjet til andre formål eller med andet eller dårligt vedligehold tilbehør, kan dette **øge** udsættelsesniveauet betydeligt
 - de tidsrum, hvor værktøjet er slukket, eller hvor det kører uden reelt at udføre noget arbejde, kan **reducere** udsættelsesniveauet betydeligt
- ! **beskyt dig selv imod virkningerne af vibrationer ved at vedligeholde værktøjet og dets tilbehør, ved at holde dine hænder varme og ved at organisere dine arbejdsmonstre**

N

Oppladbar slagbormaskin/ 3018/3020 skrutrekket

INTRODUKSJON

- Dette værktøjet er beregnet til slagboring i murstein og dessuten til boring i træ, metall, keramikk og kunststoff; værktøj med elektronisk turtallsregulering og højre-/venstregang er også egnet til skruing og gjengeskjæring
- Dette værktøjet er ikke beregnet på professionell bruk
- Les og ta vare på denne brukerveiledningen ³

TEKNISKE DATA ¹

Maks. dreiemoment for hard skruing jf. ISO 5393 : 55Nm

VERKTØYELEMENTER ²

- A** Bryter til av/på og turtallsregulering
- B** Ring til momentinnstilling
- C** Funksjonsendingsbryter
- D** Slagboreposisjon
- E** Boreposisjon
- F** Skrutrekketposisjon
- G** Girvalgryter
- H** Indikator for valgt dreieretning
- J** Ventilasjonsåpninger
- K** Bryter til endring av dreieretning
- L** Belteklemme
- M** LED-Lampe
- N** Batterinivåindikator

SIKKERHET

GENERELLE ADVARSLER FOR ELEKTROVERKTØY

⚠ ADVARSEL Les alle sikkerhetsadvarsler, instruksjoner, illustrasjoner og spesifikasjoner som følger med dette elektroverktøyet. Hvis du unnlater å følge noen av instruksjonene som er listet opp ovenfor, kan det føre til elektrisk støt, brann og/eller alvorlige personskader.

Ta godt vare på alle advarslene og informasjonene.

Det nedenstående anvendte uttrykket "elektroverktøy" gjelder for strømledende (med ledning) og batteridrevne elektroverktøy (uten ledning).

1) SIKKERHET PÅ ARBEIDSPLASSEN

- Hold arbeidsområdet rent og ryddig.** Rotete arbeidsområder eller arbeidsområder uten lys kan føre til ulykker.
- Ikke arbeid med elektroverktøyet i eksplosjonsfarlige atmosfærer – der det befinner seg brennbare væsker, gass eller støv.** Elektroverktøyet lager gnister som kan antenne støv eller damper.
- Hold barn og andre personer unna når elektroverktøyet brukes.** Hvis du blir forstyrret under arbeidet, kan du miste kontrollen over elektroverktøyet.

2) ELEKTRISK SIKKERHET

- Støpselet til elektroverktøyet må passe inn i stikkkontakten. Støpselet må ikke forandres på noen som helst måte. Ikke bruk adapterstøpsler sammen med jordede maskiner.** Bruk av støpsler som ikke er forandret på og passende stikkontakter reduserer risikoen for elektriske støt.
- Unngå kroppskontakt med jordede overflater slik som rør, ovner, komfyrer og kjøleskap.** Det er større fare ved elektriske støt hvis kroppen din er jordet.
- Hold elektroverktøyet unna regn eller fuktighet.** Dersom det kommer vann i et elektroverktøy, øker risikoen for elektriske støt.
- Ikke bruk ledningen til andre formål, f.eks. til å bære elektroverktøyet, henge den opp eller trekke den ut av stikkkontakten. Hold ledningen unna varme, olje, skarpe kanter eller maskindeler som beveger seg.** Med skadede eller opphøpde ledninger øker risikoen for elektriske støt.
- Når du arbeider utendørs med et elektroverktøy, må du kun bruke en skjøteledning som er godkjent til utendørs bruk.** Når du bruker en skjøteledning som er egnet for utendørs bruk, reduseres risikoen for elektriske støt.
- Hvis det ikke kan unngås å bruke elektroverktøyet i fuktige omgivelser, må du bruke en jordfeilbryter.** Bruk av en jordfeilbryter reduserer risikoen for elektriske støt.

3) PERSONSIKKERHET

- Vær oppmerksom, pass på hva du gjør, gå fornuftig frem når du arbeider med et elektroverktøy. Ikke bruk elektroverktøyet når du er trett eller er påvirket av narkotika, alkohol eller medikamenter.** Et øyeblikks uoppmerksomhet ved bruk av elektroverktøyet kan føre til alvorlige skader.

- Bruk personlig verneutstyr og husk alltid å bruke vernebriller.** Bruk av personlig sikkerhetsutstyr som støvmaske, sklifaste arbeidssko, hjelm eller hørselvern – avhengig av type og bruk av elektroverktøyet – reduserer risikoen for skader.
 - Unngå å starte verktøyet ved en feiltagelse. Forviss deg om at elektroverktøyet er slått av før du kobler det til strømmen og/eller batteriet, løfter det opp eller bærer det.** Hvis du holder fingeren på bryteren når du bærer elektroverktøyet eller kobler elektroverktøyet til strømmen i innkoblet tilstand, kan dette føre til uhell.
 - Fjern innstillingsverktøy eller skrunøkler før du slår på elektroverktøyet.** Et verktøy eller en nøkkel som befinner seg i en roterende maskindel, kan føre til skader.
 - Ikke overvurder deg selv. Sørg for å stå stødig og i balanse.** Dermed kan du kontrollere elektroverktøyet bedre i uventede situasjoner.
 - Bruk alltid egnede klær. Ikke bruk vide klær eller smykker. Hold hår og klær unna deler som beveger seg.** Løstsittende tøy, smykker eller langt hår kan komme inn i deler som beveger seg.
 - Hvis det kan monteres støvavg- og oppsamlingsinnretninger, må du forviss deg om at disse er tilkoblet og brukes på korrekt måte.** Bruk av et støvavg reduserer faren på grunn av støv.
 - Selv når du er blitt vant til verktøyet, må du ikke bli sløv og ignorere sikkerhetsreglene for verktøyet.** En uforsiktig handling kan forårsake alvorlig personskade i løpet av et brøkdels sekund.
- #### 4) AKTSOM HÅNDTERING OG BRUK AV ELEKTROVERKTØY
- Ikke overbelast elektroverktøyet. Bruk et elektroverktøy som er beregnet til den type arbeid du vil utføre.** Med et passende elektroverktøy arbeider du bedre og sikrere i det angitte effektområdet.
 - Ikke bruk elektroverktøy med defekt på-/avbryter.** Et elektroverktøy som ikke lenger kan slås av eller på, er farlig og må repareres.
 - Trekk støpselet ut av stikkkontakten og/eller fjern batteriet (hvis demonterbart) før du utfører innstillinger på elektroverktøyet, skifter tilbehørsdeler eller legger elektroverktøyet bort.** Disse tiltakene forhindrer en utilsiktet startung av elektroverktøyet.
 - Elektroverktøy som ikke er i bruk må oppbevares utilgjengelig for barn. Ikke la elektroverktøyet brukes av personer som ikke er fortrolig med dette eller ikke har lest disse anvisningene.** Elektroverktøy er farlige når de brukes av uerfarne personer.
 - Vær nøye med vedlikeholdet av elektroverktøyet og tilbehøret. Kontroller om bevegelige maskindeler fungerer feilfritt og ikke klemmes fast, og om deler er brukket eller skadet, slik at dette innvirker på elektroverktøyet funksjon. La skadede deler repareres før elektroverktøyet brukes.** Dårlig vedlikeholdte elektroverktøy er årsaken til mange uhell.
 - Hold skjæreverktøyene skarpe og rene.** Godt stelte skjæreverktøy med skarpe skjær setter seg ikke så ofte fast og er lettere å føre.
 - Bruk elektroverktøy, tilbehør, verktøy osv. i henhold til disse anvisningene. Ta hensyn til arbeidsforholdene og arbeidet som skal utføres.** Bruk av elektroverktøy til andre formål enn det som er angitt kan føre til farlige situasjoner.

- h) **Hold håndtak og gripeflater tørre, rene og uten olje eller fett.** Glatte håndtak og gripeflater hindrer sikker håndtering og styring av verktøyet i uventede situasjoner.

5) AKTSEM HÅNTERING OG BRUK AV BATTERIDREVNENE VERKTØY

- a) **Lad batteriet kun opp i ladere som er anbefalt av produsenten.** Det oppstår brannfare hvis en lader som er egnet til en bestemt type batterier, brukes med andre batterier.
- b) **Bruk derfor kun riktig type batterier for elektroverktøyene.** Bruk av andre batterier kan medføre skader og brannfare.
- c) **Hold batteriet som ikke er i bruk unna binders, mynter, nøkler, spikre, skruer eller andre mindre metallgjenstander, som kan lage en forbindelse mellom kontaktene.** En kortslutning mellom batterikontaktene kan føre til forberening eller brann.
- d) **Ved gal bruk kan det lekkе væske ut av batteriet. Unngå kontakt med denne væsken. Ved tilfeldig kontakt må det skylles med vann. Hvis det kommer væske i øynene, må du i tillegg oppsøke en lege.** Batterivæske som renner ut kan føre til irritasjoner på huden eller forbrenninger.
- e) **Ikke bruk batteriet eller verktøyet hvis det er skadet eller modifisert.** Ødelagte eller modifiserte batterier kan oppføre seg uforutsigbart, noe som kan føre til brann, eksplosjon eller fare for personskade.
- f) **Ikke utsett batteriet eller verktøyet for åpen ild eller for høye temperaturer.** Eksponering for ild eller temperaturer over 130 °C kan forårsake eksplosjon.
- g) **Følg alle ladeinstruksjoner, og ikke lad batteriet eller verktøyet utenfor temperaturområdet som er spesifisert i bruksanvisningen.** Feil lading eller lading ved temperaturer utenfor det spesifiserte temperaturområdet, kan skade batteriet og øke brannfaren.
- #### 6) SERVICE
- a) **Maskinen din skal alltid kun repareres av kvalifisert fagpersonale og kun med originale reservedeler.** Slik opprettholdes elektroverktøys sikkerhet.
- b) **Ikke utfør service på ødelagte batterier.** Service på batterier skal alltid utføres av produsenten eller godkjente forhandlere.

SIKKERHETSANVISNINGER FOR OPPLADBAR DRILL/ SKRUTREKKER

1) SIKKERHETSINSTRUKSJONER FOR ALLE BRUKSOMRÅDER

- a) **Bruk hørselsvern ved slagboring.** Å være utsatt for støy kan medføre hørselstap.
- b) **Hold elektroverktøyet i de isolerte håndtakene når du utfører en operasjon hvor kutteverktøyet eller festet kan komme i kontakt med skjulte ledninger.** Metalldelene på kutteverktøy og fester som kommer i berøring med strømførende ledninger kan bli strømførende og brukeren kan få elektrisk støt.

2) SIKKERHETSANVISNINGER VED BRUK AV LANGE BORER

- a) **Aldri overskrid boret maksimale hastighet.** Ved høyere hastigheter har boret større sjans for å bøye seg hvis det kan rotere fritt uten kontakt med arbeidsstykket. Dette kan medføre personskader.

- b) **Begynn alltid med å bore ved lav hastighet og med boret spiss i kontakt med arbeidsstykket.** Ved høyere hastigheter har boret større sjans for å bøye seg hvis det kan rotere fritt uten kontakt med arbeidsstykket. Dette kan medføre personskader.
- c) **Utøv trykk bare i en rett linje med boret og ikke anvend for mye trykk.** Borer kan bøye seg, dette resulterer i et boret brekker eller at man mister kontrollen. Dette kan medføre personskader.

GENERELL

- Støv fra materialer som blyholdig maling, visse tresorter, mineraler og metall kan være skadelig (kontakt med eller inhalering av støv kan gi allergiske reaksjoner og/eller sykdommer i åndedrettsorganene for brukeren eller personer i nærheten); **bruk støvmaske og arbeid med støvfjerningsutstyr når det er mulig**
- Visse typer støv er klassifisert som kreftfremkallende (som f.eks. støv fra eik og bok), spesielt sammen med tilsetningsstoffer for trebehandling; **bruk støvmaske og arbeid med støvfjerningsutstyr når det er mulig**
- Følg de nasjonale krav, når det gjelder støv for de materialer du ønsker å arbeide med
- **Ikke bearbeid asbestholdig material** (asbest kan fremkalle kreft)
- Sørg for at bryter K ② er i midtre (låst) posisjon før du utfører innstillinger på verktøyet eller skifter tilbehørsdeler eller bærer eller legger verktøyet bort

TILBEHØR

- **SKIL** kan kun garantere et feilfritt verktøy dersom originaltilbehør brukes
- Bruk kun tilbehør med et godkjent turtall som er minst like høyt som verktøyet høyeste tomgangsturtall

FØR BRUK

- Unngå skade pga. skruer, spiker eller andre elementer i arbeidsstykket; fjernes før man starter jobben
- Sjekk alltid at tilført spenning er den samme som oppgitt på laderens merkeplate
- **Sett fast arbeidsstykket** (et arbeidsstykke som er sikret med klemmer, sitter sikrere enn om det holdes fast for hånd)
- **Bruk egnede detektorer til å finne skjulte strøm-/gass-/vannledninger, eller spør hos det lokale el-/gass-/vannverket** (kontakt med elektriske ledninger kan medføre brann og elektrisk støt; skader på en gassledning kan føre til eksplosjon; inntrengning i en vannledning forårsaker materielle skader og kan medføre elektriske støt)

UNDER BRUK

- I tilfelle noe elektrisk eller mekanisk unormalt, slå øyeblikkelig av bryteren eller ta ut laderen fra stikkkontakten

BATTERIENE

- **Batteriet leveres delvis ladet** (for å få batteriets fulle kapasitet, lad batteriet helt opp ved bruk av batteriladeren før verktøyet tas i bruk for første gang)
- **Bare bruk følgende batterier og ladere med dette verktøyet**
 - SKIL-batteri: BR1*31****
 - SKIL-lader: CR1*31****
- Bruk ikke batteriet når det er skadet; det må byttes ut umiddelbart
- Ikke demonter batteriet
- Ikke utsett verktøyet/batteriet for regn
- Tillatt omgivelsestemperatur (verktøy/lader/batteri):
 - ved lading 4...40 °C

- ved drift -20...+50 °C
- ved lagring -20...+50 °C

FORKLARING AV SYMBOLER PÅ VERKTØY/BATTERI

- ③ Les instruksjonsboken for bruk
- ④ Batterier vil eksplodere hvis de blir brent, derfor må man aldri brenne batteriene
- ⑤ Oppbevar verktøy/lader/batteriet på et sted der temperaturen ikke overstiger 50 °C
- ⑥ Kast aldri elektroverktøy og batterier i husholdningsavfallet

BRUK

- Kombinert bryter for på/av og hastighetsregulering A ②
 - regulerer den trinnløse hastighet fra 0 til maksimum ved å trykke mer eller mindre på bryteren
- Batteriladning
 - ! les sikkerhetsadvarslene og instruksene levert med laderen
- Fjerne/installere batteriet ②
- Feste beltespenne ⑦
 - fest beltespennen L til boret med bruk av den leverte skruen.
- Indikator for batteristatus ⑧
 - trykk inn indikatorknappen for batteriladning N for å se innværende batteriladningen ⑧a
 - ! hvis indikatoren for batteriladning begynner å blinke etter du har trykket på knappen N ⑧b, er batteriet tomt
 - ! hvis 2 indikatoren for batteriladning begynner å blinke etter du har trykket på knappen N ⑧c, er batteriet ikke innenfor tillatt driftstemperaturområdet
- LED-Lampe M ⑬
 - LED-lys M lys slås automatisk på ved aktivering av bryter A
 - ! når LED-lyset begynner å blinke, er batterivernet aktivert (se nedenfor)
- Batterivern
 - Verktøyet blir plutselig slått av eller blir forhindret fra å startes når
 - belastningen er for høy --> fjern belastningen og start på nytt
 - batteriets temperatur ikke er innenfor tillatt driftstemperaturområdet som er -20 til 50°C --> 2 indikatoren for batteriladning begynner å blinke etter du har trykket på knappen N ⑧c; vent til batteriet er innenfor det tillatte driftstemperaturområdet
 - batteriet er nesten tomt (for å beskytte mot full utladning) --> et lavt batterinivå eller et blinkende lavt batteri nivå ⑧b vises ved at indikatoren for batteriladning begynner å blinke etter du har trykket på knappen N; lad batteriet
 - ! ikke fortsett å skru verktøyet av og på etter at det er slått av automatisk; dette kan skade batteriet
- Endring av rotasjonsretning ⑨
 - hvis ikke retningshendelen er riktig satt i venstre/høyre posisjon, spres bryteren A ②
 - ! endre bare rotasjonsretning når verktøyet er helt stillestående
- Bytting av bits ⑩
 - ! bruk aldri bit med skadet tange
- Momentinnstilling (VariTorque) ⑪
 - kraft vil øke dersom clutch-ringen B føres fra 1-17

- ved skruing, prøv først med VariTorque stilling 1 og øk inntil den ønskede dybde er nådd
- posisjon F vil låse clutchen for å tillate (slagfri) boring eller skruing med tung belastning
- posisjon D vil låse clutchen for kun å tillate slagboring
- ! sørg for at girvelger B er i posisjon 2 når clutching C er i slagboreposisjon
- ! for å hindre at bore-/skrubitene blir ødelagt, ikke bruk slagboreposisjon D for å bore i tre, metall, keramikk og plastikk
- Mekanisk girvalg ⑫
 - sett bryteren G på ønsket turtall
 - ! bruk girvalg bryteren når verktøyet går sakte
 - 1
 - lavt turtall
 - høyt dreiemoment
 - for skrutrekking og boring av stor diameter
 - for gjenging
 - 2
 - høyt turtall
 - lavere dreiemoment
 - for slagboring
 - for boring av liten diameter
- Grep og styring av verktøyet ⑭
 - ! under arbeid, hold verktøyet alltid i grått (gråe) grepsområde(r)
 - hold ventilasjonsåpningen J ② utildekket
 - ikke utøv for meget press på verktøyet, la verktøyet gjøre jobben for deg

VEDLIKEHOLD / SERVICE


- Dette verktøyet er ikke beregnet på profesjonell bruk
- Verktøyet skal alltid holdes rent (gjelder spesielt for ventilasjonssporene H ②)
 - ! ta batteriet ut av verktøyet før rengjøring
- Hvis elektroverktøyet til tross for omhyggelige produksjons- og kontrollmetoder en gang skulle svikte, må reparasjonen utføres av et autorisert serviceverksted for SKIL-elektroverktøy
 - send verktøyet i montert tilstand sammen med kjøpebevis til forhandleren eller nærmeste SKIL servicesenter (adresser liksom service diagram av verktøyet finner du på www.skil.com)
- Vær klar over at skade som skyldes overbelastning eller feilbehandling av verktøyet ikke dekkes av garanti (for SKIL garantibetingelser se www.skil.com eller spør din forhandler)

BRUKER TIPS

- Bruk riktige bits ⑮
 - ! bruk alltid skarpe bits
- Ved boring i jernholdige metaller
 - bor først et lite hull, når et stort hull er krevet
 - smør boret av og til med olje
- Ved skruing ute ved materialkanten er det en fordel å forbore for a unngå at materialet sprekker
- For at du skal ha full nytte av verktøyet er det nødvendig med et svakt press mot skruen, spesielt ved utskruing
- Som skrutrekker ved anvendelse i hardt tre anbefaler vi å bore et styrehull først
- Splinterfri boring i tre ⑯
- Støvfri boring i vegger ⑰
- Støvfri boring i tak ⑱

- Boring i fliser uten skli ¹⁹
- Se www.skil.com for mer informasjon

MILJØ

- **Kast aldri elektroverktøy, batterier, tilbehør og emballasje i husholdningsavfallet** (kun for EU-land)
 - i henhold til EU-direktiv 2012/19/EF om kasserte elektriske og elektroniske produkter og direktivets iverksettning i nasjonal rett, må elektroverktøy som ikke lenger skal brukes, samles separat og returneres til et miljøvennlig gjenvinningsanlegg
 - symbolet  er påtrykt som en påminnelse når utskiftning er nødvendig
- ! **før batteriene kastes, tape over polene med tykk tape for å unngå kortslutning**

STØY / VIBRASJON

- Målt i samsvar med EN 62841, lydtrykksnivået til dette verktøyet er 83,0 dB(A) og lydeffektnivået er 94,0 dB(A) (usikkerhet K = 5 dB) og vibrasjonen * (triaks vektorsum usikkerhet K = 1,5 m/s²)
 - * ved boring i metall <2,5 m/s²
 - * ved slagboring i betong 7,9 m/s²
- Vibrasjonsnivået er målt i samsvar med en standardisert test som er angitt i EN 62841; den kan brukes til å sammenligne et verktøy med et annet, og som et foreløpig overslag over eksponering for vibrasjoner ved bruk av verktøyet til de oppgavene som er nevnt
 - bruk av verktøyet til andre oppgaver, eller med annet eller mangelfullt vedlikeholdt utstyr, kan gi en vesentlig **økning** av eksponeringsnivået
 - tidsrommene når verktøyet er avslått eller når det går men ikke arbeider, kan gi en vesentlig **reduksjon** av eksponeringsnivået
- ! **beskytt deg selv mot virkningene av vibrasjoner ved å vedlikeholde verktøyet og utstyret, holde hendene varme og organisere arbeidsmåten din**

FIN

Akkuruuvinväännin/-iskuporakone 3018/3020

ESITTELY

- Koneet on tarkoitettu iskuporaukseen tiileen sekä poraamiseen puuhun, metalliin, keramiikkaan ja muoviin; elektronisella nopeudensäädöllä ja suunnanvaihdolla varustetut koneet soveltuvat myös ruuvinvääntöön ja kierteitykseen
- Tätä työkalua ei ole tarkoitettu ammattikäyttöön
- Lue ja säilytä tämä ohjekirja ³

TEKNISET TIEDOT ¹

Suurin vääntömomentti kovassa ruuvinväännössä ISO 5393 mukaan : 55Nm

LAITTEEN OSAT ²

- A On/off- ja nopeudensäätökytkin
- B Momentinsäästö
- C Kytkin toiminnon vaihtamiseen
- D Iskuporausasento

- E Porausasento
- F Ruuvinvääntöasento
- G Vaihteenvaihtin
- H Pyörintäsuunnan näyttö
- J Ilmanvaihto-aukot
- K Kytkin pyörintäsuunnan vaihtamiseksi
- L Vyökiinnike
- M Ledivalo
- N Akun lataustilan merkkivalo

TURVALLISUUS

YLEISET SÄHKÖTYÖKALUJEN TURVALLISUUTEEN LIITTYVÄT VAROITUKSET

VAROITUS: Perehdy kaikkiin tämän sähkötyökalun mukana toimitettuihin varoituksiin, ohjeisiin, kuviin ja teknisiin tietoihin. Jos kaikkia alla olevia ohjeita ei noudateta, seurauksena voi olla sähköisku, tulipalo ja/tai vakava loukkaantuminen.

Säilytä kaikki turvallisuus- ja muut ohjeet tulevaisuutta varten.

Turvallisuusohjeissa käytetty käsite "sähkötyökalu" käsittää verkkokäyttöisiä sähkötyökaluja (verkkojohdolla) ja akkukäyttöisiä sähkötyökaluja (ilman verkkojohtoa).

1) TYÖPAIKAN TURVALLISUUS

- a) **Pidä työskentelyalue puhtaana ja hyvin valaistuna.** Työpaikan epäjärjestys tai valaisemattomat työalueet voivat johtaa tapaturmiin.
- b) **Älä työskentele sähkötyökalulla räjähdysalttiissa ympäristössä, jossa on palavaa nestettä, kaasua tai pölyä.** Sähkötyökalu muodostaa kipinöitä, jotka saattavat sytyttää pölyn tai höyryt.
- c) **Pidä lapset ja sivulliset loitolla sähkötyökalua käytettäessä.** Voit menettää laitteesi hallinnan, huomiosi suuntautuessa muualle.

2) SÄHKÖTURVALLISUUS

- a) **Sähkötyökalun pistotulpan tulee sopia pistorasiaan. Pistotulppaa ei saa muuttaa millään tavalla. Älä käytä mitään pistorasia-adaptoreita maadoitettujen sähkötyökalujen kanssa.** Alkuperäisessä kunnossa olevat pistotulpat ja sopivat pistorasiat vähentävät sähköiskun vaaraa.
- b) **Vältä koskettamasta maadoitettuja pintoja, kuten putkia, pattereita, liesiä tai jääkaappeja.** Sähköiskun vaara kasvaa, jos kehosi on maadoitettu.
- c) **Älä aseta sähkötyökalua alttiiksi sateelle tai kosteudelle.** Veden tunkeutuminen sähkötyökalun sisään kasvattaa sähköiskun riskiä.
- d) **Älä käytä verkkojohtoa väärin. Älä käytä sitä sähkötyökalun kantamiseen, vetämiseen tai pistotulpan irrottamiseen pistorasiasta. Pidä johto loitolla kuumuudesta, öljystä, terävistä reunoista ja liikkuvista osista.** Vahingoittuneet tai sotkeutuneet johdot kasvattavat sähköiskun vaaraa.
- e) **Käyttäessäsi sähkötyökalua ulkona, käytä ainoastaan ulkokäyttöön soveltuvaa jatkojohtoa.** Ulkokäyttöön soveltuvan jatkojohdon käyttö pienentää sähköiskun vaaraa.
- f) **Jos sähkötyökalun käyttö kosteassa ympäristössä ei ole vältettävissä, tulee käyttää**

maavuotokatkaisijaa. Maavuotokatkaisijan käyttö vähentää sähköiskun vaaraa.

3) HENKILÖTURVALLISUUS

- a) **Ole valpas, kiinnitä huomiota työskentelyysi ja noudata tervettä järkeä sähkötyökalua käyttäessäsi.** Älä käytä sähkötyökalua, jos olet väsynyt tai huumeiden, alkoholin tai lääkkeiden vaikutuksen alaisena. Hetken tarkkaamattomuus sähkötyökalua käytettäessä, saattaa johtaa vakavaan loukkaantumiseen.
- b) **Käytä suojavarusteita. Käytä aina suojalaseja.** Henkilökohtaisen suojavarustuksen käyttö, kuten pölynaamarin, luistamattomien turvakengien, suojakypärän tai kuulonsuojaimien, riippuen sähkötyökalun lajista ja käyttötavasta, vähentää loukkaantumisriskiä.
- c) **Vältä tahatonta käynnistämistä. Varmista, että sähkötyökalu on poiskytkettyä, ennen kuin liität sen sähköverkkoon ja/tai liität akun, otat sen käteen tai kannat sitä.** Jos kannat sähkötyökalua sormi käynnistyskytkimellä tai kytket sähkötyökalun pistotulpan pistorasiaan, käynnistyskytkimen ollessa käyntiasennossa, altistat itsesi onnettomuuksille.
- d) **Poista kaikki säätötyökalut ja ruuvitalat, ennen kuin käynnistät sähkötyökalun.** Työkalu tai avain, joka sijaitsee laitteen pyöriässä osassa, saattaa johtaa loukkaantumiseen.
- e) **Älä yliarvioi itseäsi. Huolehdi aina tukevasta seisoma-asennosta ja tasapainosta.** Täten voit paremmin hallita sähkötyökalua odottamattomissa tilanteissa.
- f) **Käytä tarkoitukseen soveltuvia vaatteita. Älä käytä löysiä työvaatteita tai koruja. Pidä hiukset ja vaatteet poissa liikkuvien osien ulottuvilta.** Väljät vaatteet, korut ja pitkät hiukset voivat takertua liikkuviin osiin.
- g) **Jos pölynimu- ja keräilylaitteita voidaan asentaa, tulee sinun tarkistaa, että ne on liitetty ja että ne käytetään oikealla tavalla.** Pölynimulaitteiston käyttö vähentää pölyn aiheuttamia vaaroja.
- h) **Työskentele keskittyneesti ja noudata aina turvallisuusmääräyksiä.** Hetkellinenkin huolimattomuus voi aiheuttaa vakavia vammoja.
- 4) **SÄHKÖTYÖKALUJEN KÄYTTÖ JA HOITO**
 - a) **Älä ylikuormita laitetta. Käytä kyseiseen työhön tarkoitettua sähkötyökalua.** Sopivaa sähkötyökalua käyttäen työskentelet paremmin ja varmemmin tehoalueella, jolle sähkötyökalu on tarkoitettu.
 - b) **Älä käytä sähkötyökalua, jota ei voida käynnistää ja pysäyttää käynnistyskytkimestä.** Sähkötyökalu, jota ei enää voida käynnistää ja pysäyttää käynnistyskytkimellä, on vaarallinen ja se täytyy korjata.
 - c) **Irrota pistotulppa pistorasiasta ja/tai irrota akku (jos irrotettava) sähkötyökalusta, ennen kuin suoritat säätöjä, vaihdat tarvikkeita tai viet sähkötyökalun varastoon.** Nämä turvatoimenpiteet pienentävät sähkötyökalun tahattoman käynnistysriskin.
 - d) **Säilytä sähkötyökalut poissa lasten ulottuvilta, kun niitä ei käytetä. Älä anna sellaisten henkilöiden käyttää sähkötyökalua, jotka eivät tunne sitä tai jotka eivät ole lukeneet tätä käyttöohjetta.** Sähkötyökalut ovat vaarallisia, jos niitä käyttävät kokemattomat henkilöt.
 - e) **Pidä sähkötyökalut ja tarvikkeet hyvässä kunnossa.**

Tarkista, että liikkuvat osat toimivat moitteettomasti, eivätkä ole puristuksessa sekä, että siinä ei ole murtuneita tai vahingoittuneita osia, jotka saattaisivat vaikuttaa haitallisesti sähkötyökalun toimintaan. Anna korjauttaa mahdolliset viat ennen käyttöönottoa. Monen tapaturman syyt löytyvät huonosti huolletuista laitteista.

- f) **Pidä leikkausterät terävinä ja puhtaina.** Huolellisesti hoidetut leikkaustyökalut, joiden leikkausreunat ovat teräviä, eivät tartu helposti kiinni ja niitä on helpompi hallita.
- g) **Käytä sähkötyökaluja, tarvikkeita, vaihtotyökaluja jne. näiden ohjeiden mukaisesti. Ota tällöin huomioon työolosuhteet ja suoritettava toimenpide.** Sähkötyökalun käyttö muuhun kuin sille määrättyyn käyttöön, saattaa johtaa vaarallisiin tilanteisiin.
- h) **Pidä kahvat ja kädensijat kuivina ja puhtaina (öhyttöminä ja rasvattomina).** Jos kahvat ja kädensijat ovat liukkaita, et pysty yllättävissä tilanteissa ohjaamaan ja hallitsemaan työkalua turvallisesti.
- 5) **AKKUKÄYTTÖISTEN SÄHKÖTYÖKALUJEN KÄYTTÖ JA HOITO**
 - a) **Lataa akku vain valmistajan määräämässä latauslaitteessa.** Latauslaite, joka soveltuu määrätyn tyyppiselle akulle, saattaa muodostaa tulipalovaaran erilaista akkua ladattaessa.
 - b) **Käytä sähkötyökalussa ainoastaan kyseiseen sähkötyökaluun tarkoitettua akkua.** Jonkun muun akun käyttö saattaa johtaa loukkaantumiseen ja tulipaloon.
 - c) **Pidä irrallista akkua loitolla metalliesineistä, kuten paperinliittimistä, kolikoista, avaimista, nauloista, ruuveista tai muista pienistä metalliesineistä, jotka voivat oikosulkea akun koskettimet.** Akkukoskettimien välinen oikosulku saattaa aiheuttaa palovammoja tai johtaa tulipaloon.
 - d) **Väärästä käytöstä johtuen saattaa akusta vuotaa nestettä, jota ei tule koskettaa. Jos nestettä vahingossa joutuu iholle, huuhtelee kosketuskohta vedellä. Jos nestettä pääsee silmiin, tarvitaan tämän lisäksi lääkärin apua.** Akusta vuotava neste saattaa aiheuttaa ärsytystä ja palovammoja.
 - e) **Älä käytä akkua tai työkalua, joka on vioittunut tai johon on tehty muutoksia.** Jos akut ovat vioittuneet tai niihin on tehty muutoksia, ne voivat toimia ennalta arvaamattomasti ja aiheuttaa tulipalon, räjähdyksen tai loukkaantumisvaaran.
 - f) **Älä altista akkua tai työkalua tulelle tai äärimmäisille lämpötiloille.** Tulelle tai yli 130°C asteen lämpötilalle altistaminen saattaa aiheuttaa räjähdyksen.
 - g) **Noudata latausohjeita ja lataa akku tai työkalu ohjeenmukaisen lämpötila-alueen rajoissa.** Lataaminen virheellisesti tai ohjeiden vastaisessa lämpötilassa saattaa vaurioittaa akkua ja lisätä palovaaraa.
- 6) **HUOLTO**
 - a) **Anna koulutettujen ammattihenkilöiden korjata sähkötyökalusi ja hyväksy korjauksiin vain alkuperäisiä varaosia.** Täten varmistat, että sähkötyökalu säilyy turvallisena.
 - b) **Älä missään tapauksessa yritä itse korjata vaurioituneita akkuja.** Akkuja saa korjata vain valmistaja tai valtuutettu huoltopiste.

AKKURUUVINVÄÄNTIMEN-PORAKONEEN TURVALLISUUSOHJEET

- 1) **TURVALLISUUSOHJEET KAIKKIIN TOIMINTOIHIN**
 - a) Käytä kuulosuojaimia iskuporauksen aikana. Melulle altistuminen saattaa heikentää kuuloa.
 - b) Tartu sähkötyökaluun eristetyistä pinnoista tehdeessäsi työtä, jossa vaihtotyökalu tai ruuvi saattaisi osua piilossa olevaan sähköjohtoon. Vaihtotyökalun ja ruuvien kosketus jännitteisiin johtoon voi saattaa sähkötyökalun metalliosat jännitteisiksi ja johtaa sähköiskuun.
- 2) **TURVALLISUUSOHJEET PITKIÄ PORANTERIA KÄYTETTÄESSÄ**
 - a) Älä koskaan käytä työskentelyssä suurempaa nopeutta kuin poranterän maksiminopeus. Suuremmilla nopeuksilla terä vääntyy helposti, jos sen annetaan pyöriä vapaasti työkappaleeseen koskematta, mikä voi johtaa loukkaantumiseen.
 - b) Aloita poraaminen aina pienellä nopeudella ja siten, että poranterän kärki koskettaa työkappaletta. Suuremmilla nopeuksilla terä vääntyy helposti, jos sen annetaan pyöriä vapaasti työkappaleeseen koskematta, mikä voi johtaa loukkaantumiseen.
 - c) Kohdistu työkaluun painetta vain suorassa linjassa terän kanssa, äläkä käytä liikaa painetta. Terät voivat vääntyä, mistä voi seurata rikkoutuminen tai kontrollin menettäminen, mikä taas voi johtaa loukkaantumiseen.

YLEISTÄ

- Materiaaleista, kuten lyijypitoinen maali, jotkut puulajit, mineraalit ja metalli, tuleva pöly voi olla vahingollista (kosketuksiin joutuminen pölyn kanssa tai sen sisään hengittäminen voi aiheuttaa käyttäjälle tai sivustakatojille allergiareaktioita ja/tai hengitysvaivoja); käytä pölynaamarია ja työskentele pölynpoistolaitteen kanssa, kun sellainen on liitettävissä
- Tietänytyyppiset pölyt on luokiteltu karsinogeenisiksi (kuten tammi- ja pyökkipöly) erityisesti puun käsittelyyn käytettävien lisäaineiden yhteydessä; käytä pölynaamarია ja työskentele pölynpoistolaitteen kanssa, kun sellainen on liitettävissä
- Noudata maakohtaisia pölyyn liittyviä sääntöjä
- Älä koskaan työstä asbestipitoista ainetta (asbestia pidetään karsinogeenisena)
- Varmista, että kytkin K ② on keskellä (lukitus)asennossa, ennen kuin suoritat säätöjä, vaihdat tarvikkeita tai siirrä koneen varastoitavaksi

VARUSTEET

- SKIL pystyy takaamaan työkalun moitteettoman toiminnan vain, kun käytetään alkuperäisiä tarvikkeita
- Käytä vain tarvikkeita, joiden sallittu kierrosluku on vähintään yhtä suuri kuin laitteen suurin tyhjäkäyntikierrosluku

ENNEN KÄYTTÖÄ

- Vältä vaaralliset vahingot, jotka voivat aiheutua nauloista, ruuveista tai muista aineista työstettävässä materiaalissa; poista ne ennen työskentelyn aloittamista
- Tarkista aina, että syöttöjännite on sama kuin latauslaitteen nimiltaan osoittama jännite
- Kiinnitä työstettävä kappale (kiinnittimeen tai puristimeen kiinnitetty työstettävä kappale pysyy tukevammin paikoillaan kuin käsin pidettäessä)
- Käytä sopivia etsintälaitteita piilossa olevien

syöttöjohtojen paikallistamiseksi, tai käänny paikallisen jakelu-yhtiön puoleen (kosketus sähköjohtoon saattaa johtaa tulipaloon ja sähköiskuun; kaasuputken vahingoittaminen saattaa johtaa räjähdykseen; vesijohtoon tunkeutuminen aiheuttaa aineellista vahinkoa tai saattaa johtaa sähköiskuun)

KÄYTÖN AIKANA

- Jos huomaat sähköisen tai mekaanisen vian, sammuta kone heti tai irrota latauslaite ajaksi pistorasiasta

AKKU

- Mukana tullut akku on osittain ladattu (varmista akun täysi kapasiteetti lataamalla se täyteen akkulaturissa, ennen kuin käytät sähkötyökalua ensimmäistä kertaa)
- Käytä tämän työkalun yhteydessä vain seuraavia akkuja ja latureita
 - SKIL-akku: BR1*31****
 - SKIL-laturi: CR1*31****
- Älä käytä vahingoittunutta akkua, vaan vaihda se
- Älä pura akkua
- Suojele konettasi/akkua sateelta
- Sallittu ympäristön lämpötila (työkalu/latauslaite/akku):
 - ladattaessa 4...40°C
 - käytössä -20...+50°C
 - varastoinnissa -20...+50°C

TYÖKALUN/AKUN SYMBOLIEN SELITYKSET

- ③ Lue käyttöohjeet ennen käyttöä
- ④ Akut räjähtävät, jos ne hävitetään polttamalla, joten älä missään tapauksessa polta niitä
- ⑤ Säilytä konettasi/latauslaitetta/akkua paikoissa, joissa lämpötila ei nouse yli 50°C
- ⑥ Älä hävitä sähkötyökalua ja paristoja tavallisen kotitalousjätteen mukana

KÄYTTÖ

- Käynnistys ja nopeudensäätö samalla kytkimellä A ②
 - valitse nopeus portaattomasti nollasta maksiminopeuteen painamalla enemmän tai vähemmän kytkintä
- Akun lataus
- **! lue laturin mukana toimitetut varoitukset ja ohjeet**
- Akun poistaminen/asentaminen ②
- Vyökiinnikkeen kiinnittäminen ⑦
 - kiinnitä vyökiinnike L porakoneeseen mukana tulleella ruuvilla.
- Akun lataustilan merkkivalo ⑧
 - paina akun varaustilan painiketta N akun senhetkisen varauksen esittämiseksi ⑧a
 - **! jos varaustilan ilmaisimen alin taso alkaa vilkkua, kun olet painanut painiketta N ⑧b, akku on tyhjä**
 - **! jos varaustilan ilmaisimen 2 tasoa alkaa vilkkua, kun olet painanut painiketta N ⑧c, akku ei ole sallitulla käyttölämpötila-alueella**
- Ledivalo M ⑩
- LED-valo M syttyy automaattisesti, kun kytkin aktivoidaan A
- **! kun LED-valo alkaa vilkkua, akun suojaus on aktiivoitu (katso alla)**
- Akun suojaus
 - Työkalu kytketty äkillisesti pois päältä tai sen päälle kytkeminen estetään, jos
 - kuormitus on liian suuri --> poista kuorma ja käynnistä työkalu uudestaan
 - akun lämpötila ei ole sallitulla käyttölämpötila-alueella -20...+50°C --> varaustilan ilmaisimen

2 tasoa alkaa vilkkua, kun painat painiketta N
ⓐc - odota kunnes akku on palautunut sallitulle
käyttölämpötila-alueelle

- **akku on lähes tyhjä (sen suojaamiseksi
syväpurkauksesta)** --> varauksiltaan ilmaisimessa näkyvä
matala varauksiltaan tai vilkkuva matala varauksiltaan ⓐb, kun
painat painiketta N - lataa akku

! **älä paina käynnistyskytkintä sen jälkeen, kun
työkalu on kytketty pois päältä automaattisesti;
akku voi vahingoittua**

• Pyörintäsuunnan vaihto ⑨

- jos säätöä ei ole oikein asetettu vasen/oikea -asentoon,
kytkintä A ② ei voi käynnistää

! **muuta pyörintäsuuntaa vain kun työkalu on täysin
pysäytetty**

• Kärkien vaihto ⑩

! **älä käytä kärkiä, joiden varsi on vahingoittunut**

• Vääntömomentin säätö (VariTorque) ⑪

- vääntömomentti kasvaa käännettäessä kytkimen
rengasta B 1:stä 17:ään

- ruuvia kiinnittäessäsi koeta ensin VariTorque- säädintä
asennolla 1, koeta sen jälkeen seuraavia asentoja,
kunnes toivottu syvyys on saavutettu

- asento F on (ei isku-) porausasento, jossa suurta
momenttia vaativa ruuvinvääntö on mahdollista

- asento D sallii ainoastaan iskuporausken
!

! **varmista, että vaihtevalitsin B on asennossa 2,
kun kytkimen rengas C on iskuporausasennossa**

! **älä käytä iskuporausasentoa D puun, metallin,
keramiikan tai muovin poraamiseen, jottei pora/
ruuviterä vahingoitu**

• Mekaaninen vaihtevalinta ⑫

- aseta valitsin G haluamaasi kierrosluvun asentoon

! **käytä vaihtevalitsinta kun kone pyörii hiljaa**
1

- hidas nopeus

- suuri vääntömomentti

- ruuvinvääntöön ja isojen reikien poraukseen

- kierteytykseen

2

- suuri nopeus

- alhaisempi vääntömomentti

- iskuporausken

- pienen reikien poraukseen

• Koneen pitäminen ja ohjaaminen ⑬

! **pidä työkalusta kiinni aina työskentelyn aikana
harmaan värisestä kädensija(oista)**

- pidä ilmanvaihto-aukkoja J ② peittämättöminä

- älä paina työkalua liian voimakkaasti; vaan anna
työkalun tehdä työ puolestasi

HOITO / HUOLTO

• Tätä työkalua ei ole tarkoitettu ammattikäyttöön

• Pidä työkalu puhtaana (varmista erityisesti ilma-aukkojen
puhtaus H ②)

! **poista akku työkalusta ennen puhdistusta**

• Jos sähkötyökalussa, huolellisesta valmistuksesta ja
koestusmenettelystä huolimatta esiintyy vikaa, tulee
korjaus antaa SKIL sopimushuollon tehtäväksi
- toimita työkalu sitä osiin **purkamatta** lähimpään SKIL-
huoltoon (osoitteet ja työkalun huoltokaava ovat tarjolla
web-osoitteessa www.skil.com) ostotodiste mukaan
liitettynä

• Ota huomioon, että takuu ei kata työkalun
yliuormituksesta tai vääristä käsittelystä johtuvia
vahinkoja (katso SKILin takuuehdot osoitteesta
www.skil.com tai kysy jälleenmyyjältä)

VINKKEJÄ

• Käytä oikeantyyppisiä kärkiä ⑮

! **käytä vain teräviä kärkiä**

• Porattaessa rautametalleja

- poraa ensin pienempi esireikä ja jatka sitten isommalla
terällä

- voitele poranterä ajoittain öljyllä

• Kun ruuvi väännetään lähelle puun reunaa, pitää porata
esireikä ruuvia varten, jotta estetään puun halkeaminen

• Jotta laitteesta saataisiin mahdollisimman suuri
hyöty, ruuvia on painettava tasaisesti, varsinkin ruuvia
irrotettaessa

• Väännettäessä ruuveja kovaan puuhun tulisi ensin porata
esireikä

• Repimätön poraus puuhun ⑯

• Pölytön poraus seiniin ⑰

• Pölytön poraus kattoihin ⑱

• Poraus laattoihin luiskahtamatta ⑲

• Lisätietoja on tarjolla web-osoitteessa www.skil.com

YMPÄRISTÖNSUOJELU

• **Älä hävitä sähkötyökalua, paristoja, tarvikkeita
tai pakkausta tavallisen kotitalousjätteen mukana**
(koskee vain EU-maita)

- vanhoja sähkö- ja elektroniikkalaitteita koskevan
EU-direktiivin 2012/19/ETY ja sen maakohtaisten
sovellusten mukaisesti käytetyt sähkötyökalut on
toimitettava ongelmajätteen keräyspisteeseen ja
ohjattava ympäristöystävälliseen kierrätykseen
- symboli ⑥ muistuttaa tästä, kun käytöstä poisto tulee
ajankohtaiseksi

! **poistaessasi akun käytöstä peitä plus- ja
miinusnapa sähköteipillä oikosulun estämiseksi**

MELU / TÄRINÄ

• Tämän työkalun standardin EN 62841 mukaisesti mitattu
äänenpainotaso on 83,0 dB(A) ja äänenvoimakkuus
94,0 dB(A) (epävarmuus K = 5 dB), ja värinä * (triax-
vektorisumma, epävarmuus K = 1.5 m/s²)

* metalliin porattaessa <2,5 m/s²

* betoniin iskuporattaessa 7,9 m/s²

• Tärinäsäteilytaso on mitattu standardin EN 62841
mukaisen standarditestin mukaisesti; sitä voidaan
käyttää verrattaessa yhtä laitetta toiseen sekä alustavana
tärinälle altistumisen arviona käytettäessä laitetta
manituissa käyttötarkoituksiinsa

- laitteen käyttö eri käyttötarkoituksiin tai erilaisten tai
huonosti ylläpidettyjen lisälaitteiden kanssa voi **lisätä**
merkittävästi altistumistasoa

- laitteen ollessa sammuksissa tai kun se on käynnissä,
mutta sillä ei tehdä työtä, altistumistasoa voi olla
huomattavasti **pienempi**

! **suojaudu tärinän vaikutuksilta ylläpitämällä laite
ja sen lisävarusteet, pitämällä kädet lämpiminä ja
järjestämällä työmenetelmät**

Taladradora percutor/ atornilladora sin cable 3018/3020

INTRODUCCIÓN

- Esta herramienta ha sido proyectada para taladrar con percusión en ladrillo así como para taladrar sin percudir en madera, metal, cerámica y materiales sintéticos; las herramientas con control electrónico de la velocidad y de giro a derecha e izquierda son también adecuadas para atornillar y tallar roscas
- Esta herramienta no está concebida para uso profesional
- Lea y conserve este manual de instrucciones ③

DATOS TÉCNICOS ①

Par de giro máx. en unión atornillada rígida según ISO 5393 : 55Nm

ELEMENTOS DE LA HERRAMIENTA ②

- A Interruptor para encendido/apagado y control de velocidad
- B Anillo para regulación del par de apriete
- C Interruptor para el cambio de función
- D Posición de taladrado con percusión
- E Posición de taladrado
- F Posición de atornillado
- G Selector de velocidad
- H Indicador de la dirección seleccionada de giro
- J Ranuras de ventilación
- K Interruptor para invertir la dirección de giro
- L Enganche de cinturón
- M Luz LED
- N Indicador del nivel de carga de la batería

SEGURIDAD

ADVERTENCIAS DE PELIGRO GENERALES PARA HERRAMIENTAS ELÉCTRICAS

⚠ ADVERTENCIA Lea todas las advertencias de seguridad, instrucciones, ilustraciones y especificaciones entregadas con esta herramienta eléctrica. El incumplimiento de alguna de las instrucciones que figuran a continuación puede ser causa de descargas eléctricas, incendios o lesiones graves.

Guardar todas las advertencias de peligro e instrucciones para futuras consultas.

El término "herramienta eléctrica" empleado en las siguientes advertencias de peligro se refiere a herramientas eléctricas de conexión a la red (con cable de red) y a herramientas eléctricas accionadas por acumulador (o sea, sin cable de red).

1) SEGURIDAD DEL PUESTO DE TRABAJO

- a) **Mantenga limpia y bien iluminada su área de trabajo.** El desorden o una iluminación deficiente en las áreas de trabajo pueden provocar accidentes.
- b) **No utilice la herramienta eléctrica en un entorno con peligro de explosión, en el que se encuentren combustibles líquidos, gases o material en polvo.**

Las herramientas eléctricas producen chispas que pueden llegar a inflamar los materiales en polvo o vapores.

- c) **Mantenga alejados a los niños y otras personas de su área de trabajo al emplear la herramienta eléctrica.** Una distracción le puede hacer perder el control sobre la herramienta.

2) SEGURIDAD ELÉCTRICA

- a) **El enchufe de la herramienta eléctrica debe corresponder a la toma de corriente utilizada. No es admisible modificar el enchufe en forma alguna. No emplear adaptadores en herramientas eléctricas dotadas con una toma de tierra.** Los enchufes sin modificar adecuados a las respectivas tomas de corriente reducen el riesgo de una descarga eléctrica.
- b) **Evite que su cuerpo toque partes conectadas a tierra como tuberías, radiadores, cocinas y refrigeradores.** El riesgo a quedar expuesto a una descarga eléctrica es mayor si su cuerpo tiene contacto con tomas de tierra.
- c) **No exponga las herramientas eléctricas a la lluvia o a condiciones de humedad.** Existe el peligro de recibir una descarga eléctrica si penetran líquidos en la herramienta eléctrica.
- d) **No utilice el cable de red para transportar o colgar la herramienta eléctrica, ni tire de él para sacar el enchufe de la toma de corriente. Mantenga el cable de red alejado del calor, aceite, esquinas cortantes o piezas móviles.** Los cables de red dañados o enredados pueden provocar una descarga eléctrica.
- e) **Al trabajar con la herramienta eléctrica en la intemperie utilice solamente cables de prolongación homologados para su uso en exteriores.** La utilización de un cable de prolongación adecuado para su uso en exteriores reduce el riesgo de una descarga eléctrica.
- f) **Si el funcionamiento de una herramienta eléctrica en un lugar húmedo fuese inevitable, utilice un cortacircuito de fuga a tierra.** El uso de un cortacircuito de fuga a tierra reduce el riesgo de descarga eléctrica.

3) SEGURIDAD DE PERSONAS

- a) **Esté atento y emplee la herramienta eléctrica con prudencia. No utilice la herramienta eléctrica si estuviese cansado, ni bajo los efectos de alcohol, drogas o medicamentos.** El no estar atento durante el uso de una herramienta eléctrica puede provocarle serias lesiones.
- b) **Utilice un equipo de protección personal y en todo caso unas gafas de protección.** El riesgo a lesionarse se reduce considerablemente si, dependiendo del tipo y la aplicación de la herramienta eléctrica empleada, se utiliza un equipo de protección adecuado como una mascarilla antipolvo, zapatos de seguridad con suela antideslizante, casco, o protectores auditivos.
- c) **Evite una puesta en marcha fortuita. Asegurarse de que la herramienta eléctrica esté desconectada antes de conectarla a la toma de corriente y/o al montar el acumulador, al recogerla, y al transportarla.** Si transporta la herramienta eléctrica sujetándola por el interruptor de conexión/desconexión, o si introduce el enchufe en la toma de corriente con la herramienta eléctrica conectada, ello puede dar lugar a un accidente.

- d) **Retire las herramientas de ajuste o llaves fijas antes de conectar la herramienta eléctrica.** Una herramienta o llave colocada en una pieza rotativa puede producir lesiones graves al accionar la herramienta eléctrica.
- e) **Sea precavido. Trabaje sobre una base firme y mantenga el equilibrio en todo momento.** Ello le permitirá controlar mejor la herramienta eléctrica en caso de presentarse una situación inesperada.
- f) **Lleve puesta una vestimenta de trabajo adecuada. No utilice vestimenta amplia ni joyas. Mantenga su pelo y vestimenta alejados de las piezas móviles.** La vestimenta suelta, las joyas y el pelo largo se pueden enganchar con las piezas en movimiento.
- g) **Siempre que sea posible utilizar equipos de aspiración o captación de polvo, asegúrese que éstos estén montados y que sean utilizados correctamente.** El empleo de estos equipos reduce los riesgos derivados del polvo.
- h) **No permita que la familiaridad ganada por el uso frecuente de la herramienta eléctrica lo deje creer seguro e ignorar las normas de seguridad.** Una acción negligente puede causar lesiones graves en una fracción de segundo.

4) CUIDADO Y UTILIZACIÓN DE HERRAMIENTAS ELÉCTRICAS

- a) **No sobrecargue la herramienta eléctrica. Use la herramienta eléctrica prevista para el trabajo a realizar.** Con la herramienta eléctrica adecuada podrá trabajar mejor y con mayor seguridad dentro del margen de potencia indicado.
- b) **No utilice herramientas eléctricas con un interruptor defectuoso.** Las herramientas eléctricas que no se puedan conectar o desconectar son peligrosas y deben repararse.
- c) **Saque el enchufe de la red y/o retire el acumulador desmontable de la herramienta eléctrica, antes de realizar un ajuste, cambiar de accesorio o al guardar la herramienta eléctrica.** Esta medida preventiva reduce el riesgo de conectar accidentalmente la herramienta eléctrica.
- d) **Guarde las herramientas eléctricas fuera del alcance de los niños y de las personas que no estén familiarizadas con su uso.** Las herramientas eléctricas utilizadas por personas inexpertas son peligrosas.
- e) **Cuide la herramienta eléctrica y los accesorios con esmero. Controle si funcionan correctamente, sin atascarse, las partes móviles de la herramienta eléctrica, y si existen partes rotas o deterioradas que pudieran afectar al funcionamiento de la herramienta eléctrica. Si la herramienta eléctrica estuviese defectuosa haga repararla antes de volver a utilizarla.** Muchos de los accidentes se deben a herramientas eléctricas con un mantenimiento deficiente.
- f) **Mantenga los útiles limpios y afilados.** Los útiles mantenidos correctamente se dejan guiar y controlar mejor.
- g) **Utilice herramientas eléctricas, accesorios, útiles, etc. de acuerdo con estas instrucciones, teniendo en cuenta las condiciones de trabajo y la tarea a realizar.** El uso de herramientas eléctricas para trabajos diferentes de aquellos para los que han sido concebidas puede resultar peligroso.
- h) **Mantenga las empuñaduras y las superficies de las empuñaduras secas, limpias y libres de aceite**

y grasa. Las empuñaduras y las superficies de las empuñaduras resbaladizas no permiten un manejo y control seguro de la herramienta eléctrica en situaciones imprevistas.

5) CUIDADO Y UTILIZACIÓN DE HERRAMIENTAS ACCIONADAS POR ACUMULADOR

- a) **Cargue los acumuladores únicamente con los cargadores recomendados por el fabricante.** Existe riesgo de incendio al intentar cargar acumuladores de un tipo diferente al previsto para el cargador.
 - b) **Emplee únicamente los acumuladores previstos para la herramienta eléctrica.** El uso de otro tipo de acumuladores puede provocar daños e incluso un incendio.
 - c) **Si no utiliza el acumulador, guárdelo separado de clips, monedas, llaves, clavos, tornillos o demás objetos metálicos que pudieran puentear sus contactos.** El cortocircuito de los contactos del acumulador puede causar quemaduras o un incendio.
 - d) **La utilización inadecuada del acumulador puede provocar fugas de líquido. Evite el contacto con él. En caso de un contacto accidental enjuagar el área afectada con abundante agua. En caso de un contacto con los ojos recurra además inmediatamente a un médico.** El líquido del acumulador puede irritar la piel o producir quemaduras.
 - e) **No emplee acumuladores o útiles dañados o modificados.** Los acumuladores dañados o modificados pueden comportarse en forma imprevisible y producir un fuego, explosión o peligro de lesión.
 - f) **No exponga un acumulador o una herramienta eléctrica al fuego o a una temperatura demasiado alta.** La exposición al fuego o a temperatura sobre 130°C puede causar una explosión.
 - g) **Siga todas las instrucciones para la carga y no cargue nunca el acumulador o la herramienta eléctrica a una temperatura fuera del margen correspondiente especificado en las instrucciones.** Una carga inadecuada o a temperaturas fuera del margen especificado puede dañar el acumulador y aumentar el riesgo de incendio.
- #### 6) SERVICIO
- a) **Únicamente haga reparar su herramienta eléctrica por un profesional, empleando exclusivamente piezas de repuesto originales.** Solamente así se mantiene la seguridad de la herramienta eléctrica.
 - b) **No repare los acumuladores dañados.** El entretenimiento de los acumuladores sólo debe ser realizado por el fabricante o un servicio técnico autorizado.

INSTRUCCIONES DE SEGURIDAD PARA TALADROS/ ATORNILLADORES SIN CABLE

1) INSTRUCCIONES DE SEGURIDAD PARA TODAS LAS OPERACIONES

- a) **Utilice protectores auditivos al taladrar con percusión.** El ruido intenso puede provocar sordera.
- b) **Sujete la herramienta eléctrica por las superficies de agarre aisladas al realizar trabajos en los que el accesorio de corte o la fijación pueda tocar conductores eléctricos ocultos.** El contacto del accesorio de corte y las fijaciones con conductores

bajo tensión puede hacer que las partes metálicas de la herramienta eléctrica pasen a estar en tensión y provoquen una descarga eléctrica.

2) INSTRUCCIONES DE SEGURIDAD AL UTILIZAR BROCAS DE TALADRO LARGAS

- Nunca realice trabajos a una velocidad superior a la velocidad nominal máxima de la broca de taladro.** A velocidades superiores, es probable que la broca se doble si se deja que gire libremente sin estar en contacto con la pieza de trabajo, pudiendo causar lesiones personales.
- Siempre comience a taladrar a velocidad baja y con la punta de la broca en contacto con la pieza de trabajo.** A velocidades superiores, es probable que la broca se doble si se deja que gire libremente sin estar en contacto con la pieza de trabajo, pudiendo causar lesiones personales.
- Aplique presión únicamente en línea con la broca y tenga cuidado de que no sea excesiva.** Las brocas pueden doblarse provocando la rotura o la pérdida de control, pudiendo causar lesiones personales.

GENERAL

- El polvo del material, como la pintura que contiene plomo, algunas especies de madera, minerales y metal podrían ser dañinos (el contacto o inhalación del polvo podría producir reacciones alérgicas y trastornos respiratorios al operador o a otras personas que se encuentren en la zona); **utilice una máscara contra el polvo y trabaje con un dispositivo de extracción de polvo cuando lo conecte**
- Ciertos tipos de polvo están catalogados como cancerígenos (por ejemplo el polvo de roble y de haya) especialmente junto con aditivos para el acondicionamiento de la madera; **utilice una máscara contra el polvo y trabaje con un dispositivo de extracción de polvo cuando lo conecte**
- Siga la normativa nacional en cuanto a extracción de polvo, en función de los materiales que vayan a ser utilizados
- No trabaje materiales que contengan amianto** (el amianto es cancerígeno)
- Cerciorarse de que el interruptor K ② está en la posición central (posición de bloqueo) antes de realizar ajustes en la herramienta o un cambio de accesorios así como para el transporte o para guardar la herramienta

ACCESORIOS

- SKIL únicamente puede garantizar un funcionamiento correcto de la herramienta al emplear accesorios originales
- Utilice únicamente accesorios cuyo límite de revoluciones permitido sea como mínimo igual a las revoluciones en vacío máximas de la herramienta

ANTES DEL USO

- Evite los daños que puedan causar los tornillos, clavos y otros objetos sobre la pieza de trabajo; retírelos antes de empezar a trabajar
- Compruebe siempre que la tensión de alimentación es la misma que la indicada en la placa de características del cargador
- Asegure la pieza de trabajo** (una pieza de trabajo fijada con unos dispositivos de sujeción o en un tornillo de banco, se mantiene sujeta de forma mucho más segura que con la mano)
- Utilice aparatos de detección adecuados para localizar posibles conductores o tuberías ocultas, o consulte a su compañía abastecedora** (el

contacto con conductores eléctricos puede provocar una descarga eléctrica e incluso un incendio; al dañar una tubería de gas puede producirse una explosión; la perforación de una tubería de agua pueden causar daños materiales o una descarga eléctrica)

DURANTE EL USO

- En caso de un mal funcionamiento eléctrico o mecánico se debe parar inmediatamente la herramienta o desenchufar el cargador de la red

BATERÍAS

- La batería proporcionada está parcialmente cargada** (para garantizar la capacidad total de la batería cárguela completamente en el cargador antes de utilizar por primera vez la herramienta eléctrica)
- Utilice únicamente los siguientes cargadores y baterías con esta herramienta**
 - Batería SKIL: BR1*31****
 - Cargador SKIL: CR1*31****
- No utilice la batería si está deteriorada, es necesario cambiarla
- No desarme la batería
- No exponga la herramienta/batería a la lluvia
- Temperatura ambiente permitida (herramienta/cargador/batería):
 - durante la carga 4...40°C
 - durante el servicio -20...+50°C
 - durante el almacenamiento -20...+50°C

EXPLICACIÓN DE SÍMBOLOS DE HERRAMIENTA/BATERÍA

- Lea el manual de instrucciones antes de utilizarla
- Las baterías estallarán si se tiran al fuego, por ningún motivo caliente las baterías
- Guarde la herramienta/cargador/batería en un lugar donde la temperatura no exceda los 50°C
- No deseche las herramientas eléctricas y las pilas junto con los residuos domésticos

USO

- Interruptor combinado on/off y control de velocidad A ②
 - controla la velocidad acelerando de 0 hasta la máxima, apretando el gatillo acelerador
- Recargue de la batería
- ! lea las instrucciones y la advertencias de seguridad entregadas con el cargador**
- Extracción/instalación de la batería ②
- Acoplamiento del enganche de cinturón ⑦
 - acople el enganche de cinturón L al taladro con el tornillo proporcionado.
- Indicador del nivel de batería ⑧
 - pulse el botón indicador de nivel de la batería N para mostrar el nivel actual de carga ⑧a
 - ! cuando empieza a parpadear el nivel inferior del indicador de la batería al pulsar el botón N ⑧b, la batería está descargada**
 - ! cuando los niveles 2 del indicador de la batería empiezan a parpadear al pulsar el botón N ⑧c, la batería no se encuentra dentro del rango admisible de temperaturas de funcionamiento**
- Luz LED M ⑬
 - La luz LED M se enciende automáticamente cuando se activa el interruptor A
 - ! cuando el indicador LED empieza a parpadear, se activa la protección de la batería (véase a continuación)**

- Protección de la batería
La herramienta se apaga inmediatamente, o se impide su encendido, cuando
 - **la carga es demasiado elevada** --> retire la carga y vuelva a poner en marcha
 - **la temperatura de la batería no se encuentra dentro del rango admisible de temperaturas de funcionamiento entre -20 °C y +50 °C** --> los niveles 2 del indicador de nivel de la batería comienzan a parpadear al pulsar el botón N ③c; espere a que la batería vuelva a estar dentro del rango admisible de temperaturas de funcionamiento
 - **la batería está casi descargada (como protección frente a una descarga intensa)** --> el indicador de nivel de la batería señala un nivel bajo de carga o un nivel bajo de carga intermitente ⑧b al pulsar el botón N; cargue la batería
- ! **no continúe pulsando el interruptor de encendido después de que se apague automáticamente la herramienta; se puede dañar la batería**
- Inversión de la dirección de giro ⑨
 - si el inversor de giro no está adecuadamente colocado en la posición izquierda/derecha, el interruptor A ② no podrá ser activado
- ! **sólo invierta la dirección de giro cuando la herramienta esté completamente parada**
- Cambio de brocas ⑩
 - ! **no utilice brocas con un mago deteriorado**
- Control del par de apriete (VariTorque) ⑪
 - el par de apriete puesto se aumentará cuando el anillo de embrague B será cambiado de la posición 1 al 17
 - al apretar un tornillo, empiece a utilizar VariTorque en la posición 1 y vaya aumentando hasta alcanzar la profundidad deseada
 - en la posición F el portabrocas está bloqueado para permitir tareas duras de taladrado (sin percusión) o atornillado
 - en la posición D el portabrocas está bloqueado para permitir solamente taladrar con percusión
- ! **compruebe que el selector de velocidad B está en la posición 2 cuando el anillo del portabrocas C está en la posición de taladrado con percusión**
- ! **no utilice la posición de taladrado con percusión D para taladrar madera, metal, cerámica o plástico, para evitar que se dañe la broca o el destornillador**
- Selector de velocidad mecánico ⑫
 - coloque el selector G en la velocidad deseada
- ! **accione el selector de velocidad mientras la herramienta marcha lentamente**
- 1
 - velocidad baja
 - par de apriete elevado
 - para atornillar y taladrar grandes diámetros
 - para rosar de tornillo
- 2
 - velocidad alta
 - par de apriete inferior
 - para taladrar con percusión
 - para taladrar pequeños diámetros
- Sujeción y manejo de la herramienta ⑭
 - ! **durante el trabajo, sujete siempre la herramienta por la(s) zona(s) de empuñadura de color gris**
 - mantenga las ranuras de ventilación J ② descubiertas

- no ejerza demasiada presión en la herramienta; deje que la herramienta haga su trabajo

MANTENIMIENTO / SERVICIO

- Esta herramienta no está concebida para uso profesional
- Mantenga siempre limpia la herramienta (sobre todo las ranuras de ventilación H ②)
- ! **extraiga la batería de la herramienta antes de la limpieza**
- Si a pesar de los esmerados procesos de fabricación y control, la herramienta llegase a averiarse, la reparación deberá encargarse a un servicio técnico autorizado para herramientas eléctricas SKIL
 - envíe la herramienta **sin desmontar** junto con una prueba de su compra a su distribuidor o a la estación de servicio más cercana de SKIL (los nombres así como el despiece de piezas de la herramienta figuran en www.skil.com)
- Tenga presente que los daños debido a sobrecargas o al manejo inadecuado de la herramienta serán excluidos de la garantía (consulte las condiciones de garantía de SKIL en www.skil.com o consulte a su distribuidor)

CONSEJOS DE APLICACIÓN

- Utilice las brocas adecuadas ⑮
- ! **utilice únicamente brocas afiladas**
- Al taladrar metales ferrosos
 - pretaladre antes un agujero pequeño
 - lubrique de cuando en cuando la broca con aceite
- Taladrar de antemano un agujero para poder atornillar en/cerca o al lado de la madera para prevenir la rotura de ésta
- Para un uso óptimo de su herramienta es necesaria una presión constante sobre el tornillo ante todo en la extracción del mismo
- Cuando atornille en madera dura realice un pequeño agujero previamente
- Taladrar sin virutas en madera ⑯
- Taladrado sin polvo en paredes ⑰
- Taladrado sin polvo en techos ⑱
- Taladrado en azulejos sin resbalar ⑲
- Si desea más información, visite www.skil.com

AMBIENTE

- **No deseche las herramientas eléctricas, las pilas, los accesorios y embalajes junto con los residuos domésticos** (sólo para países de la Unión Europea)
 - de conformidad con la Directiva Europea 2012/19/CE sobre residuos de aparatos eléctricos y electrónicos y su aplicación de acuerdo con la legislación nacional, las herramientas eléctricas cuya vida útil haya llegado a su fin se deberán recoger por separado y trasladar a una planta de reciclaje que cumpla con las exigencias ecológicas
 - símbolo ⑥ llamará su atención en caso de necesidad de tirarlas
- ! **es prioritario disponer de terminales protectores de baterías para evitar un corto circuito**

RUIDOS / VIBRACIONES

- Realizando mediciones según EN 62841, el nivel de presión acústica de esta herramienta es 83,0 dB(A) y el nivel de potencia acústica es de 94,0 dB(A)

(incertidumbre K = 5 dB), y la vibración * (suma vectorial triaxial; incertidumbre K = 1,5 m/s²)

* al taladrar en metal <2,5 m/s²

* al taladrar con percusión en hormigón 7,9 m/s²

- El nivel de emisión de vibraciones ha sido medido según una prueba estándar proporcionada en EN 62841; puede utilizarse para comparar una herramienta con otra y como valoración preliminar de la exposición a las vibraciones al utilizar la herramienta con las aplicaciones mencionadas

- al utilizarla para distintas aplicaciones o con accesorios diferentes o con un mantenimiento deficiente, podría **umentar** de forma notable el nivel de exposición

- en las ocasiones en que se apaga la herramienta o cuando está funcionando pero no está realizando ningún trabajo, se podría **reducir** el nivel de exposición de forma importante

! **protéjase contra los efectos de la vibración realizando el mantenimiento de la herramienta y sus accesorios, manteniendo sus manos calientes y organizando sus patrones de trabajo**



P

Berbequim de percussão/ 3018/3020 aparafusadora sem fio

INTRODUÇÃO

- A ferramenta é determinada para furar com percussão em tijolos assim como para furar em madeira, metal, cerâmica e plástico; ferramentas com regulação electrónica da velocidade e marcha a direita/esquerda também são apropriadas para aparafusar e cortar roscas
- Esta ferramenta não se destina a utilização profissional
- Leia e guarde este manual de instruções ③

DADOS TÉCNICOS ①

Máx. binário de aparafusamento duro conforme ISO 5393 : 55Nm

ELEMENTOS DA FERRAMENTA ②

- A Interruptor para ligar/desligar e regulação da velocidade
- B Anel para regulação do aperto
- C Interruptor para mudar de função
- D Posição da perfuração de impacto
- E Posição de perfuração
- F Posição de aperto de parafusos
- G Comutador de marchas
- H Indicador do sentido de rotação seleccionada
- J Aberturas de ventilação
- K Comutador para inverter o sentido da rotação
- L Clipe do cinto
- M Luz LED
- N Indicador do nível de carregamento da bateria

SEGURANÇA

INDICAÇÕES GERAIS DE SEGURANÇA PARA FERRAMENTAS ELÉTRICAS

! **AVISO** Leia todos os avisos de segurança, instruções, ilustrações e especificações fornecidas com esta ferramenta eléctrica. O incumprimento de todas as instruções enumeradas abaixo poderá resultar em choque eléctrico, incêndio e/ou lesão grave.

Guarde bem todas as advertências e instruções para futura referência.

O termo “ferramenta eléctrica” utilizado a seguir nas indicações de advertência, refere-se a ferramentas eléctricas operadas com corrente de rede (com cabo de rede) e a ferramentas eléctricas operadas com acumulador (sem cabo de rede).

1) SEGURANÇA DA ÁREA DE TRABALHO

- a) **Mantenha a sua área de trabalho limpa e arrumada.** Desordem ou áreas de trabalho com fraca iluminação podem causar acidentes.
- b) **Não trabalhar com a ferramenta eléctrica em áreas com risco de explosão, nas quais se encontrem líquidos, gases ou pós inflamáveis.** Ferramentas eléctricas produzem faíscas que podem provocar a ignição de pó e vapores.
- c) **Mantenha crianças e outras pessoas afastadas da ferramenta eléctrica durante o trabalho com a ferramenta.** Distrações podem causar a falta de controlo sobre o aparelho.

2) SEGURANÇA ELÉTRICA

- a) **As fichas das ferramentas eléctricas devem caber na tomada. A ficha não deve ser modificada de modo algum. Não utilize quaisquer fichas de adaptação junto com ferramentas eléctricas ligadas à terra.** Fichas sem modificações e tomadas adequadas reduzem o risco de choques eléctricos.
- b) **Evite que o corpo entre em contacto com superfícies ligadas à terra, como por exemplo tubos, radiadores, fogões e geladeiras.** Há um risco elevado de choques eléctricos, caso o corpo for ligado à terra.
- c) **A ferramenta eléctrica não deve ser exposta à chuva nem humidade.** A penetração de água na ferramenta eléctrica aumenta o risco de choques eléctricos.
- d) **O cabo do aparelho não deve ser utilizado para o transporte, para pendurar o aparelho, nem para puxar a ficha da tomada. Mantenha o cabo afastado de calor, óleo, cantos afiados ou partes em movimento do aparelho.** Cabos danificados ou torcidos aumentam o risco de choques eléctricos.
- e) **Ao trabalhar com a ferramenta eléctrica ao ar livre, use um cabo de extensão apropriado para áreas externas.** O uso de um cabo apropriado para áreas externas reduz o risco de choques eléctricos.
- f) **Se não for possível evitar o funcionamento da ferramenta eléctrica em áreas húmidas, deverá ser utilizado uma disjuntor de corrente de avaria.** A utilização de um disjuntor de corrente de avaria reduz o risco de um choque eléctrico.

3) SEGURANÇA DE PESSOAS

- a) **Esteja alerta, observe o que está a fazer, e tenha prudência ao trabalhar com a ferramenta eléctrica. Não use a ferramenta eléctrica se estiver fatigado ou sob a influência de drogas, álcool ou medicamentos.** Um momento de falta de atenção durante a operação da ferramenta eléctrica pode causar graves lesões.
 - b) **Utilizar equipamento de protecção pessoal e sempre óculos de protecção.** A utilização de equipamento de protecção pessoal, como máscara de protecção contra pó, sapatos de segurança antiderrapantes, capacete de segurança ou protecção auricular, de acordo com o tipo e aplicação da ferramenta eléctrica, reduz o risco de lesões.
 - c) **Evitar uma colocação em funcionamento involuntária. Assegure-se de que a ferramenta eléctrica esteja desligada, antes de conectá-la à alimentação de rede e/ou ao acumulador, antes de levantá-la ou de transportá-la.** Se tiver o dedo no interruptor ao transportar a ferramenta eléctrica ou se o aparelho for conectado à alimentação de rede enquanto estiver ligado, poderão ocorrer acidentes.
 - d) **Remover chaves de ajustes ou chaves de fenda, antes de ligar a ferramenta eléctrica.** Uma chave de fenda ou chave de ajuste que se encontre numa parte móvel do aparelho, pode levar a lesões.
 - e) **Não se sobrestime. Mantenha uma posição firme e mantenha sempre o equilíbrio.** Desta forma poderá ser mais fácil controlar o aparelho em situações inesperadas.
 - f) **Use roupa apropriada. Não use roupa larga ou jóias. Mantenha os cabelos e roupas afastados de partes em movimento.** Roupas largas, jóias ou cabelos longos podem ser agarradas por partes em movimento.
 - g) **Se for prevista a montagem de dispositivos de aspiração de pó e de dispositivos de recolha, assegure-se de que estão conectados e que sejam utilizados de forma correcta.** A utilização de uma aspiração de pó pode reduzir o perigo devido ao pó.
 - h) **Não deixe que a familiaridade resultante de uma utilização frequente de ferramentas permita que você se torne complacente e ignore os princípios de segurança da ferramenta.** Uma acção descuidada pode causar ferimentos graves numa fração de segundo.
- #### 4) USO E TRATAMENTO DE FERRAMENTAS ELÉTRICAS
- a) **Não sobrecarregue a ferramenta eléctrica. Use para o seu trabalho a ferramenta eléctrica correcta.** A ferramenta correcta realizará o trabalho de forma melhor e mais segura dentro da faixa de potência indicada.
 - b) **Não utilize a ferramenta eléctrica se o interruptor não puder ser ligado nem desligado.** Qualquer ferramenta eléctrica que não possa ser controlada através do interruptor de ligar-desligar, é perigosa e deve ser reparada.
 - c) **Puxar a ficha da tomada e/ou remover o acumulador, se amovível, antes de executar ajustes na ferramenta, de substituir acessórios ou de guardar a ferramenta.** Esta medida de segurança evita que a ferramenta eléctrica seja ligada acidentalmente.
 - d) **Guarde ferramentas eléctricas que não estiverem sendo utilizadas, for a do alcance de crianças. Não permita que o aparelho seja utilizado por pessoas**

- não familiarizadas com o mesmo ou que não tenham lido estas instruções. Ferramentas eléctricas são perigosas nas mãos de pessoas sem treinamento.
- e) **Trate a ferramenta eléctrica e os acessórios com cuidado. Verifique se as partes móveis do aparelho funcionam perfeitamente e não emperram, se há peças quebradas ou danificadas, que possam influenciar o funcionamento do aparelho. Peças danificadas devem ser reparadas antes da utilização do aparelho.** Muitos acidentes tem como causa uma manutenção insuficiente das ferramentas eléctricas.
 - f) **Mantenha as ferramentas de corte sempre afiadas e limpas.** Ferramentas de cortes devidamente tratadas, com cantos afiados travam com menos frequência e podem ser controladas com maior facilidade.
 - g) **Use a ferramenta eléctrica, os acessórios os bits da ferramenta etc., de acordo com estas instruções. Considere também as condições de trabalho e o trabalho a ser efectuado.** A utilização da ferramenta eléctrica para outros fins que os previstos, pode resultar em situações perigosas.
 - h) **Mantenha os punhos e as superfícies de agarrar secas, limpas e livres de óleo e massa consistente.** Punhos e superfícies de agarrar escorregadias não permitem o manuseio e controlo seguros da ferramenta em situações inesperadas.
- #### 5) USO E TRATAMENTO DE APARELHOS COM ACUMULADOR
- a) **Apenas deverá carregar em carregadores, acumuladores recomendados pelo fabricante.** Um carregador que é apropriado para um tipo de acumulador, pode causar um incêndio se se for utilizado para carregar outros acumuladores.
 - b) **Apenas utilize nas ferramentas eléctricas os acumuladores previstos.** A utilização de outros acumuladores pode levar a lesões e riscos de incêndio.
 - c) **Quando o acumulador não estiver em uso, mantenha-o afastado de outros objectos de metal, como por exemplo agrafos, moedas, chaves, pregos, parafusos, ou outros pequenos objectos metálicos que possam ligar em ponte os contactos.** Um curto circuito entre os contactos do acumulador pode causar queimaduras ou incêndio.
 - d) **Aplicações inadequadas podem provocar fugas do líquido do acumulador. Evite o contacto com este líquido. No caso de um contacto accidental, lave imediatamente com água fresca. Se o líquido entrar em contacto com os olhos, procure um auxílio médico.** O líquido que escapa do acumulador pode levar a irritações ou queimaduras da pele.
 - e) **Não use um acumulador ou uma ferramenta danificada ou modificada.** Os acumuladores danificados ou modificados exibem um comportamento imprevisível podendo causar incêndio, explosão ou risco de lesão.
 - f) **Não exponha o acumulador ou a ferramenta ao fogo ou temperatura excessiva.** Exposição ao fogo ou a uma temperatura acima de 130°C pode causar explosão.
 - g) **Siga todas as instruções de carregamento e não carregue o acumulador ou a ferramenta fora da faixa de temperatura especificada no manual de instruções.** Carregar indevidamente ou em

temperaturas fora da faixa especificada pode danificar o acumulador e aumentar o risco de incêndio.

6) SERVIÇO

- a) **A sua ferramenta eléctrica só deve ser reparada por pessoal qualificado e só devem ser colocadas peças sobressalentes originais.** Desta forma é assegurada a segurança da ferramenta eléctrica.
- b) **Nunca tente reparar acumuladores danificados.** A reparação de acumuladores deve ser realizada apenas pelo fabricante ou agentes de assistência autorizados.

INSTRUÇÕES DE SEGURANÇA PARA APARAFUSADORAS/BERBEQUIMS SEM FIO

1) INSTRUÇÕES DE SEGURANÇA PARA TODAS AS OPERAÇÕES

- a) **Use protectores auditivos com berbequins de percussão.** A exposição ao ruído pode causar danos auditivos.
- b) **Segure a ferramenta eléctrica nas superfícies isoladas, ao realizar uma operação na qual o corte de um acessório ou prendedor possa entrar em contacto com fios eléctricos ocultos.** Cortar acessórios e prendedores em contacto com um fio eléctrico com "corrente" pode transmitir "corrente" às peças metálicas expostas da ferramenta eléctrica e dar um choque eléctrico ao utilizador.

2) INSTRUÇÕES DE SEGURANÇA AO UTILIZAR BROCAS LONGAS

- a) **Nunca utilize as brocas a uma velocidade superior à classificação máxima de velocidade da broca.** Em velocidades superiores, a broca irá provavelmente dobrar se a deixar rodar livremente sem contacto com a peça, resultando em ferimentos pessoais.
- b) **Comece sempre a perfurar numa velocidade reduzida e com a broca em contacto com a peça.** Em velocidades superiores, a broca irá provavelmente dobrar se a deixar rodar livremente sem contacto com a peça, resultando em ferimentos pessoais.
- c) **Aplique pressão apenas em linha directa com a broca e não aplique pressão excessiva.** As brocas podem causar rupturas ou perda de controlo, resultando em ferimentos pessoais.

GENERAL

- O pó do material, como tinta com chumbo, algumas espécies de madeira, minerais e metais, pode ser prejudicial (contacto ou inalação do pó pode provocar reacções alérgicas e/ou doenças respiratórias ao operador ou às pessoas presentes); **use máscara respiratória e trabalhe com um dispositivo de extracção de pó quando ligado a**
- Determinados tipos de pó são classificados como substâncias cancerígenas (como pó de carvalho e faia), em especial, juntamente com aditivos para acondicionamento da madeira; **use máscara respiratória e trabalhe com um dispositivo de extracção de pó quando ligado a**
- Siga o regulamento nacional quanto a extracção de pó, em função dos materiais que vão ser utilizados
- **Não processe material que contenha asbesto** (asbesto é considerado como sendo cancerígeno)
- Assegure-se que o comutador K (2) está na posição intermédia (de bloqueado) antes de efectuar ajustes na ferramenta ou substituir acessórios assim como quando transportar ou armazenar a ferramenta

ACESSÓRIOS

- A SKIL só pode garantir um funcionamento perfeito da ferramenta, quando utilizada com os acessórios originais
- Utilize apenas acessórios com um número de rotação admissível no mínimo tão alto como o mais alto número de rotação em vazio da ferramenta

ANTES DA UTILIZAÇÃO

- Evite danificar a ferramenta em superfícies com pregos ou parafusos; remova-os antes de começar a trabalhar
- Certifique-se sempre de que a tensão de alimentação está de acordo com a tensão indicada na placa de identificação do carregador
- **Fixe a peça de trabalho** (uma peça de trabalho fixa com dispositivos de fixação ou num torno fica melhor fixa do que manualmente)
- **Utilizar detectores apropriados para detectar tubos e cabos de alimentação escondidos, ou consulte a firma de alimentação local** (o contacto com um cabo eléctrico pode levar a incêndio e choque eléctrico; a danificação de um cano de gás pode levar à explosão; a penetração de uma tubulação de água provoca danos materiais ou pode provocar um choque eléctrico)

DURANTE A UTILIZAÇÃO

- Em caso de anomalias eléctricas ou mecânicas, desligue imediatamente a ferramenta ou desligue o carregador da fonte de corrente

BATERIAS

- **A bateria fornecida tem apenas carga parcial** (para assegurar a capacidade total da bateria, carregue completamente a bateria no carregador antes de usar a sua ferramenta eléctrica pela primeira vez)
- **Utilize apenas as seguintes baterias e carregadores com esta ferramenta**
 - Bateria SKIL: BR1*31****
 - Carregador SKIL: CR1*31****
- Não utilize baterias danificadas; devem ser substituídas imediatamente
- Não desmonte a bateria
- Não exponha a ferramenta/bateria à chuva
- Temperatura ambiente permitida (ferramenta/carregador/bateria):
 - durante o carregamento 4...40°C
 - durante o funcionamento -20...+50°C
 - durante o armazenamento -20...+50°C

EXPLICAÇÃO DOS SÍMBOLOS DA FERRAMENTA/ BATERIA

- ③ Leia o manual de instruções antes de utilizar o equipamento
- ④ As baterias explodirão quando colocadas num fogo, por isso, não queime as baterias por nenhum motivo
- ⑤ Guarde a ferramenta/carregador/bateria em locais onde a temperatura não exceda os 50°C
- ⑥ Não deite ferramentas eléctricas e pilhas no lixo doméstico

MANUSEAMENTO

- Interruptor combinado para ligar/desligar e controlo de velocidade A (2)
 - o controlo da velocidade é feito do zero até ao máximo possível, pressionando o gatilho, para mais ou para menos velocidade
- Recarga da bateria
- **! leia os avisos de segurança e as instruções fornecidos com o carregador**

- Remover/instalar a bateria ②
- Prender o clipe do cinto ⑦
 - prenda o clipe do cinto L à broca com o parafuso fornecido.
- Indicador de nível da bateria ⑧
 - prima o botão do indicador de nível da bateria N para apresentar o nível atual da bateria ⑧a
 - ! **quando o nível mais baixo do indicador da bateria ficar intermitente depois de premir o botão N ⑧b, a bateria está vazia**
 - ! **quando os níveis 2 do indicador da bateria ficarem intermitentes depois de premir o botão N ⑧c, a bateria não está dentro do intervalo da temperatura de funcionamento permitido**
- Luz LED M ⑬
 - A luz LED M acende automaticamente ao activar o interruptor A
 - ! **quando a luz LED ficar intermitente, a proteção da bateria está ativada (ver abaixo)**
- Protecção da bateria
 - A ferramenta desliga-se repentinamente ou não se liga quando
 - a carga é muito elevada --> retire carga e recomece
 - a temperatura da bateria não está dentro do intervalo da temperatura de funcionamento de -20 a +50°C --> Os níveis 2 do indicador do nível da bateria ficam intermitentes quando premir o botão N ⑧c; aguarde até a bateria voltar ao intervalo de temperatura de funcionamento permitido
 - a bateria está quase vazia (para proteção contra uma descarga profunda) --> um nível baixo da bateria ou um nível da bateria baixo intermitente ⑧b aparece através do indicador de nível da bateria quando prime o botão N; carregue a bateria
 - ! **não continue a premir o interruptor de ligar/desligar após a desactivação automática da ferramenta; pode danificar a bateria**
- Inversão do sentido da rotação ⑨
 - quando não forem correctamente reguladas as posições esquerda/direita, o interruptor A ② não será accionado
 - ! **inverta o comutador do sentido de rotação apenas quando a ferramenta desligada**
- Substituição de pontas ⑩
 - ! **não utilize pontas com encabadouros danificados**
- Regulação do aperto (VariTorque) ⑪
 - o aperto de saída aumentará logo que o anel de embraiagem B for movido de 1 para 17
 - quando apertar um parafuso, comece usando VariTorque na posição 1 aumentando em seguida até a profundidade desejada
 - a posição F bloqueará a embraiagem para permitir furar (sem impacto) ou aparafusar em trabalhos pesados
 - a posição D bloqueará a embraiagem para permitir apenas a perfuração com percussão
 - ! **certifique-se de que o selector de mudanças B está na posição 2 quando o anel da embraiagem C estiver na posição de perfuração com percussão**
 - ! **não utilize a posição de perfuração com percussão D para perfurar madeira, metal, cerâmica e plástico para impedir danos na broca/ponta do aparafusador**

- Selecção mecânica de marcha ⑫
 - coloque o selector G na velocidade desejada
 - ! **accione o selector de marcha em baixa rotação**
 - 1
 - baixa velocidade
 - aperto forte
 - para aparafusar e furar grandes diâmetros
 - para rosca
 - 2
 - alta velocidade
 - aperto fraco
 - para perfuração com percussão
 - para furar pequenos diâmetros
- Segurar e guiar a ferramenta ⑭
 - ! **durante o trabalho, segure sempre a ferramenta na(s) área(s) de fixação cinzenta(s)**
 - mantenha as aberturas de ventilação J ② destapadas
 - não exerça demasiada pressão na ferramenta; deixe a ferramenta trabalhar espontaneamente

MANUTENÇÃO / SERVIÇO

- Esta ferramenta não se destina a utilização profissional
- Mantenha a ferramenta sempre limpa (especialmente as ranhuras de respiração H ②)
 - ! **retire a bateria da ferramenta antes de limpar**
- Se a ferramenta falhar apesar de cuidadosos processos de fabricação e de teste, a reparação deverá ser executada por uma oficina de serviço autorizada para ferramentas eléctricas SKIL
 - envie a ferramenta **sem desmontar**, juntamente com a prova de compra, para o seu revendedor ou para o centro de assistência SKIL mais próximo (os endereços assim como a mapa de peças da ferramenta estão mencionados no www.skil.com)
- Não se esqueça de que os danos provocados por sobrecarga ou manuseamento incorrecto da ferramenta estão excluídos da garantia (para mais informações sobre as condições da garantia da SKIL, consulte www.skil.com ou pergunte ao seu revendedor)


CONSELHOS DE APLICAÇÃO

- Utilize as pontas apropriadas ⑮
 - ! **utilize apenas pontas com pontas afiadas**
- Quando perfurar metais ferrosos
 - faça primeiro um pequeno furo se necessitar abrir um furo maior
 - lubrifique frequentemente a broca com óleo adequado
- Quando apertar um parafuso num rebordo de madeira, ou perto dele, deverá primeiro perfurar, a fim de evitar que a madeira estale
- Para uma perfeita utilização da ferramenta é necessário efectuar uma pressão contínua sobre o parafuso, especialmente quando do desaparafusamento
- Quando aparafusar em madeira dura é preciso pré-furar orifício
- Perfuração anti estilhaço em madeira ⑯
- Perfuração sem pó em paredes ⑰
- Perfuração sem pó em tectos ⑱
- Perfuração em cerâmica sem derrapagens ⑲
- Para mais informação, consulte www.skil.com

AMBIENTE

- **Não deite ferramentas eléctricas, pilhas, acessórios e embalagem no lixo doméstico** (apenas para países

da UE)

- de acordo com a directiva europeia 2012/19/CE sobre ferramentas eléctricas e electrónicas usadas e a transposição para as leis nacionais, as ferramentas eléctricas usadas devem ser recolhidas em separado e encaminhadas a uma instalação de reciclagem dos materiais ecológica
- símbolo  lhe avisará em caso de necessidade de arranja-las
- ! **proteja os terminais da bateria com fita isoladora antes de a expor de modo a evitar curto-circuitos**


RÚIDO / VIBRAÇÃO

- O nível de pressão sonora desta ferramenta, medido de acordo com a EN 62841, é de 83,0 dB(A) e o nível de potência acústica é de 94,0 dB(A) (incerteza K = 5 dB), e a vibração * (soma do vector triax; incerteza K = 1,5 m/s²)
 - * ao perfurar em metal <2,5 m/s²
 - * ao perfurar com percussão em betão 7,9 m/s²
- O nível de emissão de vibrações foi medido de acordo com um teste normalizado fornecido na EN 62841; pode ser utilizado para comparar uma ferramenta com outra e como uma avaliação preliminar de exposição à vibração quando utilizar a ferramenta para as aplicações mencionadas
 - utilizar a ferramenta para diferentes aplicações ou com acessórios diferentes ou mantidos deficientemente, pode **umentar** significativamente o nível de exposição
 - o número de vezes que a ferramenta é desligada ou quando estiver a trabalhar sem fazer nada, pode **reduzir** significativamente o nível de exposição
- ! **proteja-se contra os efeitos da vibração, mantendo a ferramenta e os acessórios, mantendo as mãos quentes e organizando os padrões de trabalho**

I

Trapano-avvitatore a percussione senza filo 3018/3020

INTRODUZIONE

- L'utensile è idoneo per l'esecuzione di forature a percussione in mattoni; esso è adatto anche per forare ed avvitare nel legname, nel metallo, nella ceramica e nelle materie plastiche; utensili con regolazione elettronica della velocità e funzionamento reversibile sono adatte anche per avvitare e per tagliare filettature
- Questo utensile non è inteso per un uso professionale
- Leggete e conservate questo manuale di istruzione 

DATI TECNICI

Mass. momento di coppia avvitamento di giunti rigidi conforme alla norma ISO 5393 : 55Nm


ELEMENTI UTENSILE

- A Interruttore di accensione/spegnimento e regolazione della velocità
- B Anello di controllo della coppia

- C Commutatore per cambiare la modalità di funzionamento
- D Posizione durante la foratura a percussione
- E Posizione durante la foratura
- F Posizione di avvitarura
- G Commutatore di marcia
- H Indicatore del senso di rotazione selezionata
- J Feritoio di ventilazione
- K Commutatore per l'inversione del senso di rotazione
- L Gancio da cintura
- M Spia LED
- N Indicatore del livello batteria

SICUREZZA

AVVERTENZE GENERALI DI PERICOLO PER ELETTROUTENSILI

 **AVVERTENZA Leggere tutte le avvertenze di sicurezza, istruzioni, illustrazioni e specifiche fornite con l'utensile.** La mancata osservanza di tutte le istruzioni sottoelencate potrebbe causare delle scariche elettriche, principi d'incendio e/o gravi lesioni.

Conservare tutte le avvertenze di pericolo e le istruzioni operative per ogni esigenza futura.

Il termine "elettroutensile" utilizzato nelle avvertenze di pericolo si riferisce ad elettroutensili alimentati dalla rete (con linea di allacciamento) ed ad elettroutensili alimentati a batteria (senza linea di allacciamento).

1) SICUREZZA DELLA POSTAZIONE DI LAVORO

- a) **Mantenere pulito ed ordinato il posto di lavoro.** Il disordine o le zone di lavoro non illuminate possono essere fonte di incidenti.
- b) **Evitare d'impiegare l'elettroutensile in ambienti soggetti al rischio di esplosioni nei quali si trovino liquidi, gas o polveri infiammabili.** Gli elettroutensili producono scintille che possono far infiammare la polvere o i gas.
- c) **Mantenere lontani i bambini ed altre persone durante l'impiego dell'elettroutensile.** Eventuali distrazioni potranno comportare la perdita del controllo sull'elettroutensile.

2) SICUREZZA ELETTRICA

- a) **La spina per la presa di corrente dovrà essere adatta alla presa. Evitare assolutamente di apportare modifiche alla spina. Non impiegare spine adattatrici assieme ad elettroutensili con collegamento a terra.** Le prese adatte allo scopo riducono il rischio di scosse elettriche.
- b) **Evitare il contatto fisico con superfici collegate a terra, come tubi, riscaldamenti, cucine elettriche e frigoriferi.** Sussiste un maggior rischio di scosse elettriche nel momento in cui il corpo è messo a massa.
- c) **Custodire l'elettroutensile al riparo dalla pioggia o dall'umidità.** L'eventuale infiltrazione di acqua in un elettroutensile va ad aumentare il rischio d'insorgenza di scosse elettriche.
- d) **Non usare il cavo per scopi diversi da quelli previsti al fine di trasportare o appendere l'elettroutensile,**

- oppure di togliere la spina dalla presa di corrente. **Mantenere l'elettrotensile al riparo da fonti di calore, dall'olio, dagli spigoli o da pezzi in movimento.** I cavi danneggiati o aggrovigliati aumentano il rischio d'insorgenza di scosse elettriche.
- e) **Qualora si voglia usare l'elettrotensile all'aperto, impiegare solo ed esclusivamente cavi di prolunga omologati per l'impiego all'esterno.** L'uso di un cavo di prolunga omologato per l'impiego all'esterno riduce il rischio d'insorgenza di scosse elettriche.
- f) **Qualora non fosse possibile evitare di utilizzare l'elettrotensile in ambiente umido, utilizzare un interruttore di messa a terra.** L'uso di un interruttore di messa a terra riduce il rischio di una scossa elettrica.
- 3) SICUREZZA DELLE PERSONE**
- a) **È importante concentrarsi su ciò che si sta facendo e a maneggiare con giudizio l'elettrotensile durante le operazioni di lavoro. Non utilizzare l'elettrotensile in caso di stanchezza o sotto l'effetto di droghe, bevande alcoliche e medicinali.** Un attimo di distrazione durante l'uso dell'elettrotensile potrà causare lesioni gravi.
- b) **Indossare sempre equipaggiamento protettivo individuale. Usare sempre protezioni per gli occhi.** Se si avrà cura d'indossare equipaggiamento protettivo individuale come la maschera antipolvere, la calzatura antisdrucchiolevole di sicurezza, il casco protettivo o la protezione dell'udito, a seconda dell'impiego previsto per l'elettrotensile, si potrà ridurre il rischio di ferite.
- c) **Evitare l'accensione involontaria dell'elettrotensile. Prima di collegarlo alla rete di alimentazione elettrica e/o alla batteria ricaricabile, prima di prenderlo oppure prima di iniziare a trasportarlo, assicurarsi che l'elettrotensile sia spento.** Tenendo il dito sopra l'interruttore mentre si trasporta l'elettrotensile oppure collegandolo all'alimentazione di corrente con l'interruttore inserito, si vengono a creare situazioni pericolose in cui possono verificarsi seri incidenti.
- d) **Togliere gli attrezzi di regolazione o la chiave inglese prima di accendere l'elettrotensile.** Un elettrotensile o una chiave inglese che si trovino in una parte dell'elettrotensile in rotazione potranno causare lesioni.
- e) **È importante non sopravvalutarsi. Avere cura di mettersi in posizione sicura e di mantenere l'equilibrio.** In tale maniera sarà possibile controllare meglio l'elettrotensile in situazioni inaspettate.
- f) **Indossare vestiti adeguati. Evitare di indossare vestiti lenti o gioielli. Tenere capelli e vestiti lontani da parti in movimento.** Vestiti lenti, gioielli o capelli lunghi potranno impigliarsi in pezzi in movimento.
- g) **Se sussiste la possibilità di montare dispositivi di aspirazione o di captazione della polvere, assicurarsi che gli stessi siano stati installati correttamente e vengano utilizzati senza errori.** L'utilizzo di un'aspirazione polvere può ridurre lo svilupparsi di situazioni pericolose dovute alla polvere.
- h) **Una volta presa confidenza con gli utensili, evitare di trascurare le norme di sicurezza.** Una mancanza di attenzione può causare gravi lesioni in una frazione di secondo.
- 4) MANEGGIO ED IMPIEGO ACCURATO DI ELETTRUTENSILI**
- a) **Non sovraccaricare l'elettrotensile. Impiegare l'elettrotensile adatto per sbrigare il lavoro.** Utilizzando l'elettrotensile adatto si potrà lavorare meglio e con maggior sicurezza nell'ambito della gamma di potenza indicata.
- b) **Non utilizzare elettrotensili con interruttori difettosi.** Un elettrotensile che non si può più accendere o spegnere è pericoloso e dovrà essere riparato.
- c) **Prima di procedere ad operazioni di regolazione sull'elettrotensile, prima di sostituire parti accessorie oppure prima di posare l'elettrotensile al termine di un lavoro, estrarre sempre la spina dalla presa della corrente e/o estrarre la batteria ricaricabile, se rimovibile.** Tale precauzione eviterà che l'elettrotensile possa essere messo in funzione inavvertitamente.
- d) **Custodire gli elettrotensili non utilizzati al di fuori della portata dei bambini. Non fare usare l'elettrotensile a persone che non sono abituate ad usarlo o che non abbiano letto le presenti istruzioni.** Gli elettrotensili sono pericolosi se utilizzati da persone inesperte.
- e) **Eseguire la manutenzione degli elettrotensili e degli accessori. Verificare che le parti mobili dell'elettrotensile funzionino perfettamente e non s'inceppino, che non ci siano pezzi rotti o danneggiati al punto tale da limitare la funzione dell'elettrotensile stesso. Far riparare le parti danneggiate prima d'impiegare l'elettrotensile.** Numerosi incidenti vengono causati da elettrotensili la cui manutenzione è stata effettuata poco accuratamente.
- f) **Mantenere affilati e puliti gli elettrotensili da taglio.** Gli elettrotensili da taglio curati con particolare attenzione e con taglianti affilati s'inceppano meno frequentemente e sono più facili da condurre.
- g) **Utilizzare elettrotensili, accessori, attrezzi, ecc. in conformità con le presenti istruzioni. Osservare le condizioni di lavoro ed il lavoro da eseguirsi durante l'impiego.** L'impiego di elettrotensili per usi diversi da quelli consentiti potrà dar luogo a situazioni di pericolo.
- h) **Mantenere impugnature e superfici di presa asciutte, pulite e prive di olio e grasso.** Impugnature e superfici di presa scivolose non consentono di manipolare e controllare l'utensile in caso di situazioni inaspettate.
- 5) MANEGGIO ED IMPIEGO ACCURATO DI ACCUMULATORI**
- a) **Caricare l'accumulatore solo ed esclusivamente nei dispositivi di carica consigliati dal produttore.** Per un dispositivo di carica previsto per un determinato tipo di accumulatore, sussiste pericolo di incendio, se utilizzato con un accumulatore di tipo diverso.
- b) **Utilizzare negli elettrotensili solo ed esclusivamente gli accumulatori previsti allo scopo.** L'uso di accumulatori di tipo diverso potrà dare insorgenza a lesioni e comportare il rischio d'incendi.
- c) **Tenere l'accumulatore non utilizzato lontano da graffette, monete, chiavi, chiodi, viti o da altri oggetti in metallo di piccole dimensioni che potrebbero causare un ponte tra i contatti. Un**

eventuale corto circuito tra i contatti dell'accumulatore potrà dare origine a bruciature o ad incendi.

- d) **In caso di impiego sbagliato, potranno insorgere fuoriuscite di liquido dall'accumulatore. Evitarne il contatto. In caso di contatto casuale, sciacquare con acqua. Qualora il liquido dovesse entrare in contatto con gli occhi, chiedere immediato consiglio al medico.** Il liquido fuoriuscito dall'accumulatore potrà causare irritazioni cutanee o bruciature.
- e) **Non utilizzare una batteria ricaricabile, né un elettrodotto, qualora siano danneggiati o siano stati modificati.** Batterie danneggiate o modificate possono comportare problemi non prevedibili, causando incendi, esplosioni e possibili lesioni.
- f) **Non esporre una batteria ricaricabile o un elettrodotto al fuoco o a temperature eccessive.** L'esposizione al fuoco o a temperature superiori a 130°C può causare esplosioni.
- g) **Rispettare tutte le istruzioni di carica e non caricare la batteria ricaricabile o l'elettrodotto fuori dal campo di temperatura indicato nelle istruzioni stesse.** Una carica non corretta, o fuori dal campo di temperatura indicato, può comportare danni alla batteria ed aumentare il pericolo di incendio.

6) ASSISTENZA

- a) **Fare riparare l'elettrodotto solo ed esclusivamente da personale specializzato e solo impiegando pezzi di ricambio originali.** In tale maniera potrà essere salvaguardata la sicurezza dell'elettrodotto.
- b) **Non sottoporre in alcun caso a manutenzione batterie ricaricabili danneggiate.** La manutenzione di batterie ricaricabili andrà effettuata esclusivamente dal produttore o da fornitori di servizi appositamente autorizzati.

ISTRUZIONI DI SICUREZZA PER TRAPANI-AVVITATORI SENZA FILO

1) ISTRUZIONI DI SICUREZZA PER TUTTE LE OPERAZIONI

- a) **Utilizzare cuffie di protezione per le orecchie durante l'uso del trapano a percussione.** L'esposizione al rumore può causare danni all'udito.
- b) **Tenere l'elettrodotto per le superfici isolate dell'impugnatura qualora venissero effettuati lavori durante i quali l'accessorio di taglio o l'avvitatore potrebbero venire a contatto con cavi elettrici nascosti.** Il contatto dell'accessorio di taglio o dell'avvitatore con un cavo sotto tensione può mettere sotto tensione anche parti metalliche dell'utensile dell'elettrodotto, causando una scossa elettrica.

2) ISTRUZIONI DI SICUREZZA PER L'USO DI PUNTE LUNGHE

- a) **Non usare mai una velocità superiore alla velocità massima indicata per la punta.** A velocità superiori, la punta potrebbe piegarsi, se ruota liberamente senza contatto con il pezzo di lavoro, e potrebbe causare lesioni gravi.
- b) **Iniziare sempre a forare a velocità bassa e con la punta a contatto con il pezzo di lavoro.** A velocità superiori, la punta potrebbe piegarsi, se ruota liberamente senza contatto con il pezzo di lavoro, e potrebbe causare lesioni gravi.

- c) **Applicare pressione solo in linea diretta con la punta e non applicare una pressione eccessiva.** Le punte possono piegarsi e causare rotture o perdita di controllo, con conseguenti lesioni.

NOTE GENERALI

- Le polveri di materiali come vernici contenenti piombo, alcune specie di legno, minerali e metallo possono essere nocive (il contatto con queste polveri o la loro inalazione possono causare reazioni allergiche e/o disturbi respiratori all'operatore o ad altre persone presenti sul posto); **indossare una maschera protettiva per la polvere e utilizzare un dispositivo per l'estrazione della polvere se è presente una presa di collegamento**
- Alcuni tipi di polvere sono classificati come cancerogeni (quali le polveri di quercia e faggio) specialmente se associate ad additivi per il trattamento del legno; **indossare una maschera protettiva per la polvere e utilizzare un dispositivo per l'estrazione della polvere se è presente una presa di collegamento**
- Rispettare le istruzioni nazionali riguardanti l'estrazione della polvere per i materiali in lavorazione
- Non lavorare mai materiali contenenti amianto** (l'amianto è ritenuto materiale cancerogeno)
- Assicurarsi che il commutatore K ② sia in posizione centrale (blocco) prima di regolare l'utensile o sostituire accessori, come pure durante il trasporto o quando si ripone l'utensile

ACCESSORI

- La SKIL garantisce un perfetto funzionamento dell'utensile soltanto se vengono utilizzati accessori originali
- Utilizzate solo accessori il cui numero massimo di giri corrisponda almeno al massimo dei numeri di giri dell'utensile

PRIMA DELL'USO

- Evitate possibili danneggiamenti da viti e chiodi sporgenti; rimuoverli prima di iniziare la lavorazione
- Controllare che la tensione dell'alimentazione sia la stessa di quella indicata sulla targhetta del caricabatteria
- Fissare il pezzo da lavorare** (un pezzo in lavorazione rimane bloccato in posizione con maggiore sicurezza se fissato con appositi dispositivi di serraggio o con una morsa e non tenendolo con la mano)
- Al fine di rilevare possibili linee di alimentazione nascoste, utilizzare adatte apparecchiature di ricerca oppure rivolgersi alla locale società erogatrice** (un contatto con linee elettriche può provocare lo sviluppo di incendi e di scosse elettriche; danneggiando linee del gas si può creare il pericolo di esplosioni; penetrando una tubazione dell'acqua si provocano seri danni materiali oppure vi è il pericolo di provocare una scossa elettrica)

DURANTE L'USO

- Nel caso di cattivo funzionamento elettrico o meccanico, spegnere subito l'utensile o staccare il caricabatteria dalla rete

BATTERIE

- La batteria fornita è parzialmente caricata** (per garantire la piena capacità della batteria, caricarla completamente con il caricabatteria prima del primo uso dell'elettrodotto)
- Usare solamente le batterie fornite con questo utensile**
 - Batteria SKIL: BR1*31****
 - Caricabatteria SKIL: CR1*31****

- Non usare a batteria quando è danneggiata; deve essere sostituita immediatamente
- Non smontare la batteria
- Non esporre utensile/batteria alla pioggia
- Temperatura ambientale consentita (utensile/caricabatteria/batteria):
 - in fase di ricarica 4...40°C
 - in fase d'esercizio -20...+50°C
 - in fase di stoccaggio -20...+50°C

SPIEGAZIONE DEI SIMBOLI PRESENTI SULL'UTENSILE/ BATTERIA

- ③ Leggere il manuale di istruzioni prima dell'uso
- ④ Le batterie esplodono se gettate nel fuoco, pertanto non bruciate le batterie per alcun motivo
- ⑤ Riponete utensile/caricabatteria/batteria in luoghi ove non si superino i 50°C
- ⑥ Non gettare l'elettrotensile e le batterie con i rifiuti domestici

USO

- Interruttore combinato di acceso/spento e controllo della velocità A ②
 - il controllo della velocità da zero giri al massimo è dato dalla pressione più o meno forte sull'interruttore
- Ricarica batteria
 - ! leggere le avvertenze di sicurezza e le istruzioni fornite con il caricabatteria**
- Rimozione/installazione della batteria ②
- Applicazione del gancio da cintura ⑦
 - applicare il gancio da cintura L al trapano con la vite fornita.
- Indicatore del livello batteria ⑧
 - premere il pulsante dell'indicatore del livello batteria N per visualizzare il livello attuale ⑧a
 - ! se il livello più basso dell'indicatore del livello batteria inizia a lampeggiare dopo aver premuto il pulsante N ⑧b, la batteria è scarica**
 - ! se i 2 livelli dell'indicatore del livello batteria iniziano a lampeggiare dopo aver premuto N ⑧c, la temperatura della batteria non rientra nel campo dei valori di impiego consentiti**
- Spia LED M ⑬
 - La spia LED M si accende automaticamente quando si attiva l'interruttore A
 - ! quando la spia LED inizia a lampeggiare, la protezione per la batteria è attivata (vedi sotto)**
- Protezione per la batteria
 - L'utensile si spegne improvvisamente o non può essere acceso, quando
 - il **carico è troppo alto** --> rimuovere il carico e riavviare
 - la **temperatura della batteria non rientra nel campo dei valori di impiego massimi di -20 e +50°C** --> 2 i livelli dell'indicatore del livello batteria iniziano a lampeggiare se si preme il pulsante N ⑧c; attendere finché la batteria non è rientrata nel campo dei valori di impiego consentiti
 - la **batteria è quasi scarica (per proteggerla contro la scarica profonda)** --> l'indicatore del livello batteria mostra un livello batteria basso o un livello batteria lampeggiante ⑧b se si preme il pulsante N; caricare la batteria
 - ! non continuare a premere l'interruttore on/off dopo che l'utensile si è spento automaticamente:**

ciò potrebbe danneggiare la batteria

- Inversione del senso di rotazione ⑨
 - quando la posizione sinistra/destra non è inserita propriamente l'interruttore A ② non può essere attivato
 - ! invertire il senso di rotazione solo quando l'utensile si è arrestato completamente**
- Cambio delle punte ⑩
 - ! non utilizzare punte con il gambo danneggiato**
- Controllo della coppia (VariTorque) ⑪
 - da 1 a 17 B viene aumentata la coppia di torsione
 - quando avvitate una vite, prima provare la posizione 1 del VariTorque e incrementarne il valore fino a raggiungere la profondità desiderata
 - la posizione F bloccherà la frizione per permettere lavori pesanti di foratura (non a percussione) e avvitatura
 - la posizione D bloccherà la frizione per permettere solo la foratura a percussione
 - ! assicurarsi che il commutatore di marcia B sia nella posizione 2 quando l'anello di frizione C è nella posizione per perforazione a percussione**
 - ! non usare la posizione per foratura a percussione D per perforare legno, metallo, ceramica e plastica, per evitare che la punta da trapano/avvitatore non venga danneggiata**
- Commutazione meccanica di marcia ⑫
 - spostare il commutatore G nella velocità desiderata
 - ! azionare il commutatore di marcia mentre l'utensile funziona lentamente**
 - 1
 - velocità ridotta
 - grande coppia
 - per avvitare e forare grandi diametri
 - per filettare di vite
 - 2
 - velocità alta
 - bassa coppia
 - per forare a percussione
 - per forare piccoli diametri
- Tenuta e guida dell'utensile ⑭
 - ! durante la lavorazione, impugna l'utensile sempre in corrispondenza della(e) area(e) grigia(e)**
 - tenere scoperte le feritoie di ventilazione J ②
 - non applicate una pressione eccessiva all'utensile; lasciate che sia l'utensile a lavorare per voi

MANUTENZIONE / ASSISTENZA

- Questo utensile non è inteso per un uso professionale
- Tenere sempre pulito l'utensile (soprattutto le feritoie di ventilazione H ②)
 - ! rimuovere la batteria dall'utensile prima della pulizia**
- Se nonostante gli accurati procedimenti di produzione e di controllo l'utensile dovesse guastarsi, la riparazione va fatta effettuare da un punto di assistenza autorizzato per gli elettrotensili SKIL
 - inviare l'utensile **non smontato** assieme alle prove di acquisto al rivenditore oppure al più vicino centro assistenza SKIL (l'indirizzo ed il disegno delle parti di ricambio dell'utensile sono riportati su www.skil.com)
- Tenere presente che danni causati da sovraccarico o utilizzo improprio sono esclusi dalla garanzia (per le condizioni di garanzia SKIL, visitare il sito www.skil.com o contattare il proprio rivenditore)

CONSIGLIO PRATICO

- Usare le punte appropriate ⁽¹⁵⁾
! usare solo punte affilate
- Quando le parti da forare sono ferrose
 - preparare un piccolo foro, quando è richiesto un grande foro
 - lubrificare la punta di tanto in tanto con olio
- Quando avvitate una vite in vicinanza dei bordi dell'asse, è preferibile fare un foro precedentemente per evitare le spaccature di legno
- Per un uso ottimale dell'utensile si raccomanda di esercitare una pressione costante sulla vite, soprattutto svitando
- Quando avvitate una vite su legno duro, è preferibile forare un foro precedentemente
- Forature antischeggia nel legno ⁽¹⁶⁾
- Foratura senza polvere nel muro ⁽¹⁷⁾
- Foratura senza polvere nel soffitto ⁽¹⁸⁾
- Foratura di piastrelle senza scivolamento ⁽¹⁹⁾
- Per ulteriori informazioni consultare il sito www.skil.com

TUTELA DELL'AMBIENTE

- **Non gettare l'elettrotensile, le batterie, gli accessori e l'imballaggio con i rifiuti domestici** (solo per Paesi UE)
 - secondo la Direttiva Europea 2012/19/CE sui rifiuti di utensili elettrici ed elettronici e la sua attuazione in conformità alle norme nazionali, gli elettrotensili esausti devono essere raccolti separatamente, al fine di essere reimpiegati in modo eco-compatibile
 - il simbolo ⁽⁶⁾ vi ricorderà questo fatto in fase di smaltimento
- **! prima dello smaltimento proteggere i terminali delle batterie con nastro pesante per prevenire cortocircuiti**

RUMOROSITÀ / VIBRAZIONE

- Misurato secondo EN 62841, il livello di pressione sonora garantito di questo utensile è di 83,0 dB(A), il livello di rumorosità è di 94,0 dB(A) (incertezza K = 5 dB) e il livello delle vibrazioni di * (somma vettoriale di tre direzioni; incertezza K = 1.5 m/s²)
 - * nella foratura nel metallo <2,5 m/s²
 - * nella foratura a percussione nel cemento 7,9 m/s²
- Il livello di emissione delle vibrazioni è stato misurato in conformità a un test standardizzato stabilito dalla norma EN 62841; questo valore può essere utilizzato per mettere a confronto un l'utensile con un altro o come valutazione preliminare di esposizione alla vibrazione quando si impiega l'utensile per le applicazioni menzionate
 - se si utilizza l'utensile per applicazioni diverse, oppure con accessori differenti o in scarse condizioni, il livello di esposizione potrebbe **aumentare** notevolmente
 - i momenti in cui l'utensile è spento oppure è in funzione ma non viene effettivamente utilizzato per il lavoro, possono contribuire a **ridurre** il livello di esposizione
- **! proteggersi dagli effetti della vibrazione effettuando la manutenzione dell'utensile e dei relativi accessori, mantenendo le mani calde e organizzando i metodi di lavoro**

H

Akkumulátoros ütvefúró/ 3018/3020 csavarozó

BEVEZETÉS

- A készülék téglában végzett ütvefúrásra, valamint fában, fémekben, kerámiákban és műanyagokban végzett fúrásra szolgál; az elektronikus sebességszabályozóval és forgásirányítókapsolóval felszerelt készülékek csavarok be- és kihajtására, valamint menetvágásra is alkalmazhatók
- A szerszám nem professzionális használatra készült
- Olvassa el figyelmesen és őrizze meg a használati utasítást ⁽³⁾

MŰSZAKI ADATOK ⁽¹⁾

Maximális forgatónyomaték kemény csavarozásnál az ISO 5393 szerint : 55Nm

SZERSZÁMGÉP ELEMEI ⁽²⁾

- A Be/Ki kapcsoló és sebességszabályozó
- B Forgatónyomaték szabályozó kapcsoló
- C Nyomja meg a funkció megváltoztatásához
- D Ütvefúrási helyzet
- E Fúrási helyzet
- F Csavarhúzási pozíció
- G Fokozatválasztó kapcsoló
- H A kiválasztott forgásirány jelzése
- J Szellőzőnyílások
- K A forgásirány változtatására szolgáló kapcsoló
- L Övkapocs
- M LED-fény
- N Akkumulátor töltöttségi-szint jelző

BIZTONSÁG

ÁLTALÁNOS BIZTONSÁGI ELŐÍRÁSOK AZ ELEKTROMOS KÉZISZERSZÁMOKHOZ

⚠ FIGYELMEZTETÉS Olvassa el a szerszámgéphez tartozó biztonsági figyelmeztetéseket, utasításokat, ábrákat és specifikációkat. Az alábbi utasítások figyelmen kívül hagyása elektromos áramütéshez, tűzhöz és/vagy súlyos balesetkez vezethet.

Őrizze meg a jövőbeli használatra is valamennyi biztonsági előírást és utasítást.

Az alább alkalmazott "elektromos kéziszerszám" fogalom a hálózati elektromos kéziszerszámokat (hálózati csatlakozó kábelrel) és az akkumulátoros elektromos kéziszerszámokat (hálózati csatlakozó kábel nélkül) foglalja magában.

1) MUNKAHELYI BIZTONSÁG

- a) **Tartsa tisztán és tartsa rendben a munkahelyét.** Rendetlen munkahelyek vagy megvilágítatlan munkaterületek balesetekhez vezethetnek.
- b) **Ne dolgozzon az elektromos kéziszerszámmal olyan robbanásveszélyes környezetben, ahol éghető folyadékok, gázok vagy porok vannak.** Az elektromos

- kéziszerszámok szikrákat bocsáthatnak ki, amelyek meggyújthatják a port vagy a gőzöket.
- c) **Tartsa távol a gyerekeket és az idegen személyeket a munkahelytől, ha az elektromos kéziszerszámot használja.** Ha elvonják a figyelmét a munkától, könnyen elvesztheti az uralmát a berendezés felett.
- 2) **ELEKTROMOS BIZTONSÁGI ELŐÍRÁSOK**
- a) **A készülék csatlakozó dugójának bele kell illeszkednie a dugaszolóaljzatba. A csatlakozó dugót semmilyen módon sem szabad megváltoztatni. Védőföldeléssel ellátott készülékekkel kapcsolatban ne használjon csatlakozó adaptert.** A változtatás nélküli csatlakozó dugók és a megfelelő dugaszoló aljzatok csökkentik az áramütés kockázatát.
- b) **Ne érjen hozzá földelt felületekhez, mint csövekhez, fűtőtestekhez, kályhákhoz és hűtőszekrényekhez.** Az áramütési veszély megnövekszik, ha a teste le van földelve.
- c) **Tartsa távol az elektromos kéziszerszámot az esőtől és a nedvesség hatásaitól.** Ha víz hatol be egy elektromos kéziszerszámba, ez megnöveli az áramütés veszélyét.
- d) **Ne használja a kábelt a rendeltetésétől eltérő célokra, vagyis a szerszámot soha ne hordozza vagy akassza fel a kábelnél fogva, és soha ne húzza ki a hálózati csatlakozó dugót a kábelnél fogva. Tartsa távol a kábelt hőforrásoktól, olajtól, éles élektől, sarkaktól és mozgó gépalkatrészekről.** Egy megrongálódott vagy csomókkal teli kábel megnöveli az áramütés veszélyét.
- e) **Ha egy elektromos kéziszerszámmal a szabad ég alatt dolgozik, csak a szabadban való használatra engedélyezett hosszabbítót használjon.** A szabadban való használatra engedélyezett hosszabbító használata csökkenti az áramütés veszélyét.
- f) **Ha nem lehet elkerülni az elektromos kéziszerszám nedves környezetben való használatát, alkalmazzon egy földzárlat megszakítót.** Egy földzárlat megszakító alkalmazása csökkenti az áramütés kockázatát.
- 3) **SZEMÉLYI BIZTONSÁGI ELŐÍRÁSOK**
- a) **Munka közben mindig figyeljen, ügyeljen arra, amit csinál, és meggondoltan dolgozzon az elektromos kéziszerszámmal. Ha fáradt, ha kábítószerek vagy alkohol hatása alatt áll, vagy orvosságokat vett be, ne használja a berendezést.** A berendezéssel végzett munka közben már egy pillanatnyi figyelmetlenség is komoly sérülésekhez vezethet.
- b) **Viseljen személyi védőfelszerelést és mindig viseljen védőszemüveget.** A személyi védőfelszerelések, mint porvédő álarc, csúszásbiztos védőcipő, védősapka és fülvédő használata az elektromos kéziszerszám használata jellegének megfelelően csökkenti a személyes sérülések kockázatát.
- c) **Kerülje el a készülék akaratlan üzembe helyezését. Győződjön meg arról, hogy az elektromos kéziszerszám ki van kapcsolva, mielőtt bedugná a csatlakozó dugót a dugaszolóaljzatba, csatlakoztatná az akkumulátor-csomagot, és mielőtt felvenné és vinni kezdené az elektromos kéziszerszámot.** Ha az elektromos kéziszerszám felemelése közben az újját a kapcsolón tartja, vagy ha a készüléket bekapcsolt állapotban csatlakoztatja az áramforráshoz, ez balesetekhez vezethet.
- d) **Az elektromos kéziszerszám bekapcsolása előtt okvetlenül távolítsa el a beállító szerszámokat vagy csavarkulcsokat.** Az elektromos kéziszerszám forgó részeiben felejtett beállító szerszám vagy csavarkulcs sérüléseket okozhat.
- e) **Ne becsülje túl önmagát. Kerülje el a normálistól eltérő testtartást, ügyeljen arra, hogy mindig biztosan álljon és az egyensúlyát megtartsa.** Így az elektromos kéziszerszám felett váratlan helyzetekben is jobban tud uralkodni.
- f) **Viseljen megfelelő ruhát. Ne viseljen bő ruhát vagy ékszereket. Tartsa távol a haját és a ruháját a mozgó részekről.** A bő ruhát, az ékszereket és a hosszú haját a mozgó alkatrészek magukkal ránthatják.
- g) **Ha az elektromos kéziszerszámra fel lehet szerelni a por elszívásához és összegyűjtéséhez szükséges berendezéseket, ellenőrizze, hogy azok megfelelő módon hozzá vannak kapcsolva a készülékhez és rendeltetésüknek megfelelően működnek.** A porgyűjtő berendezések használata csökkenti a munka során keletkező por veszélyes hatását.
- h) **Ne hagyja, hogy az elektromos kéziszerszám gyakori használatánál során szerzett tapasztalatok olyan önelégültté tegyék, hogy figyelmen kívül hagyja az idevonatkozó biztonsági alapelveket.** Egy gondatlan művelet egy másodperc törtrésze alatt súlyos sérüléseket okozhat.
- 4) **AZ ELEKTROMOS KÉZISZERSZÁMOK GONDOS KEZELÉSE ÉS HASZNÁLATA**
- a) **Ne terhelje túl az elektromos kéziszerszámot. A munkájához csak az arra szolgáló elektromos kéziszerszámot használja.** Egy alkalmas elektromos kéziszerszámmal a megadott teljesítménytartományon belül jobban és biztonságosabban lehet dolgozni.
- b) **Ne használjon olyan elektromos kéziszerszámot, amelynek a kapcsolója elromlott.** Egy olyan elektromos kéziszerszám, amelyet nem lehet sem be-, sem kikapcsolni, veszélyes és meg kell javíttatni.
- c) **Húzza ki a csatlakozó dugót a dugaszolóaljzatból és/vagy távolítsa el az akkumulátor-csomagot (ha az leválasztható) az elektromos kéziszerszámtól, mielőtt az elektromos kéziszerszámon beállítási munkákat végez, tartozékokat cserél vagy a szerszámot tárolásra etleszi.** Ez az elővigyázatossági intézkedés meggátolja a szerszám akaratlan üzembe helyezését.
- d) **A használaton kívüli elektromos kéziszerszámokat olyan helyen tárolja, ahol azokhoz gyerekek ne férhessnek hozzá. Ne hagyja, hogy olyan személyek használják az elektromos kéziszerszámot, akik nem ismerik a szerszámot, vagy nem olvasták el ezt az útmutatót.** Az elektromos kéziszerszámok veszélyesek, ha azokat gyakorlatlan személyek használják.
- e) **Az elektromos kéziszerszámot és tartozékait gondosan tartsa karban. Ellenőrizze, hogy a mozgó alkatrészek kifogástalanul működnek-e, nincsenek-e beszorulva, és nincsenek-e eltörve vagy megrongálódva olyan alkatrészek, amelyek hatással lehetnek az elektromos kéziszerszám működésére.** A megrongálódott részeket a készülék használata előtt javíttassa meg. Sok olyan baleset történik, amelyet az elektromos kéziszerszám nem kielégítő karbantartására lehet visszavezetni.

- f) **Tartsa tisztán és éles állapotban a vágószerszámokat.** Az éles vágóélekkel rendelkező és gondosan ápolpt vágószerszámok ritkábban ékelődnek be és azokat könnyebben lehet vezetni és irányítani.
- g) **Az elektromos kéziszerszámokat, tartozékokat, betétszerszámokat stb. csak ezen előírásoknak használja.** Vegye figyelembe a munkafeltételeket és a kivitelezendő munka sajátosságait. Az elektromos kéziszerszám eredeti rendeltetésétől eltérő célokra való alkalmazása veszélyes helyzetekhez vezethet.
- h) **Tartsa szárazon, tisztán és olaj- és zsírmentes állapotban a fogantyúkat és markoló felületeket.** A csúszós fogantyúk és markoló felületek váratlan helyzetekben lehetetlenné teszik az elektromos kéziszerszám biztonságos kezelését és irányítását.
- 5) **AZ AKKUMULÁTOROS KÉZISZERSZÁMOK GONDOS KEZELÉSE ÉS HASZNÁLATA**
- a) **Az akkumulátort csak a gyártó által ajánlott töltőkészülékekben töltsse fel.** Ha egy bizonyos akkumulátortípus feltöltésére szolgáló töltőkészülékben egy másik akkumulátort próbál feltölteni, tűz keletkezhet.
- b) **Az elektromos kéziszerszámban csak az ahhoz tartozó akkumulátort használja.** Más akkumulátorok használata személyi sérüléseket és tüzet okozhat.
- c) **Tartsa távol a használaton kívüli akkumulátort irodai kapszoktól, pénzürméktől, kulcsoktól, szögektől, csavaroktól és más kisméretű fémtárgyaktól, amelyek áthidalhatják az érintkezőket.** Az akkumulátor érintkezői közötti rövidzárlat égési sérüléseket vagy tüzet okozhat.
- d) **Hibás alkalmazás esetén az akkumulátorból folyadék léphet ki. Kerülje el az érintkezést a folyadékkal. Ha véletlenül mégis érintkezésbe jutott az akkumulátorfolyadékkal, azonnal öblítse le vízzel az érintett felületet. Ha a folyadék a szemébe jutott, keressen fel ezen kívül egy orvost.** A kilépő akkumulátorfolyadék irritációkat vagy égéses bőrsérüléseket okozhat.
- e) **Sohase használjon egy akkumulátor csomagot, ha az megrongálódott, vagy ha változtatásokat hajtottak végre rajta.** A megrongálódott vagy megváltoztatottakkumulátorok előreláthatatlan módon viselkedhetnek, amely tűzhez, robbanáshoz vagy sérülésveszélyhez vezet.
- f) **Ne tegye ki az akkumulátor csomagokat tűz, vagy extrém hőmérsékletek hatásának.** Ha az akkumulátort tűznek, vagy 130°C-ot meghaladó hőmérsékletnek teszi ki, ez robbanást okozhat.
- g) **Tartsa be valamennyi töltési előírást és ne töltsse fel az akkumulátort, ha annak a hőmérséklete az utasításokban megadott hőmérséklet tartományon kívül van.** Az akkumulátor nem megfelelő módon, vagy a megadott hőmérséklet tartományon kívüli feltöltése megrongálhatja az akkumulátort és megnövelheti a tűzveszélyt.
- 6) **SZERVIZ**
- a) **Az elektromos kéziszerszámot csak szakképzett személyzet és csak eredeti pótkatrészek felhasználásával javíthatja.** Ez biztosítja, hogy az elektromos kéziszerszám biztonságos szerszám maradjon.
- b) **Sohase szervizeljen megrongálódott akkumulátor csomagokat.** Az akkumulátor csomagokat csak a

gyártónak, vagy az erre feljogosított szolgáltatóknak szabad szervizelniük.

BIZTONSÁGI ELŐÍRÁSOK AKKUMULÁTOROS FÚRÓ/CSAVARÓZÓKHOZ

1) BIZTONSÁGI UTASÍTÁSOK AZ ÖSSZES MUNKAFOLYAMATHOZ

- a) **Viseljen fűvédőt útvefúrás során.** A zajnak történő expozíció halláskárosodáshoz vezethet.
- b) **Az elektromos kéziszerszámot csak a szigetelt fogantyúfelületeknél fogva tartsa, ha olyan munkát végez, amelynek során a vágó vagy a rögzítőelem feszültség alatt álló, kívülről nem látható vezetékhez érhet.** Ha a berendezés és a csavarok egy feszültség alatt álló vezetékhez érnek, az elektromos kéziszerszám fémrészei szintén feszültség alá kerülhetnek és áramütéshez vezethetnek.

2) BIZTONSÁGI UTASÍTÁSOK HOSSZÚ FÚRÓFEJ ALKALMAZÁSÁKOR

- a) **Soha ne üzemeltesse magasabb sebességen a fűrőfej maximális sebességbesorolásánál.** Magasabb sebesség mellett a fej hajlamos elgörbülni, ha szabadon hagyják forogni a munkadarabhoz történő hozzáérés nélkül, ezzel személyi sérülést okozva.
- b) **Mindig alacsony sebességen kezdje meg a fúrást, úgy, hogy a fűrőfej a munkadarabhoz ér.** Magasabb sebesség mellett a fej hajlamos elgörbülni, ha szabadon hagyják forogni a munkadarabhoz történő hozzáérés nélkül, ezzel személyi sérülést okozva.
- c) **Egyenes vonalban és ne túl nagy erővel gyakoroljon nyomást a fűrőfejre.** A fűrőfejek elgörbülhetnek, ami a fűrőfej töréséhez vagy a szerszám feletti kontroll elvesztéséhez vezethet, ez pedig személyes sérülést okozhat.

ÁLTALÁNOS TUDNIVALÓK

- Az anyagból származó por, mint például az ólmot, néhány fajtáját, ásványi anyagokat és fémeket tartalmazó festék, káros lehet (a por érintése vagy belégzése allergiás reakciókat és/vagy légzőszervi betegségeket okozhat a kezelés, illetve a közelben állók esetében); **viseljen pormaszkot és amennyiben csatlakoztatható, dolgozzon porszivő berendezéssel**
- Bizonyos porfajták rákkeltő besorolással rendelkeznek (ilyen például a tölgý- és a bükkfa pora), különösen a fa kondicionálására szolgáló adalékokkal együtt; **viseljen pormaszkot és amennyiben csatlakoztatható, dolgozzon porszivő berendezéssel**
- Kövesse a por kezelésével kapcsolatos helyi előírásokat azon termékkel kapcsolatban, amellyel dolgozni kíván
- **Ne munkáljon meg a berendezéssel azbesztt tartalmazó anyagokat** (az azbeszttel rákkeltő hatása van)
- Győződjön meg róla, hogy a K ② irányváltó-kapcsoló a középső (rögzített) állásban van, mielőtt beállításokat végez vagy tartozékokat cserél, illetve amikor a gépet szállítja vagy tárolja

TARTOZÉKOK

- SKIL cég kizárólag eredeti alkatrészek és kiegészítők alkalmazása esetén tudja garantálni a gép problémamentes működését
- Csak olyan tartozékokat használjon, amelyek legmagasabb megengedett fordulatszáma legalább akkora, mint a berendezés legmagasabb üresjáratú fordulatszáma

HASZNÁLAT ELŐTT

- Ügyeljen arra, hogy a munkadarabban lévő csavar, szög vagy hasonló sérüléseket ne okozhasson; a munka megkezdése előtt eltávolítandó
- Mindig ellenőrizze, hogy a hálózati feszültség megegyezik-e a töltőkészülék adattábláján feltüntetett értékkel
- **Rögzítse a munkadarabot** (befogókészülékkel vagy satuval) befogott munkadarabot sokkal biztonságosabban lehet rögzíteni mint a kézzel tartottat)
- **A rejtett vezetékek felkutatásához használjon alkalmas fémkereső készüléket, vagy kérje ki a helyi energiaellátó vállalat tanácsát** (ha egy elektromos vezetékeket a berendezéssel megérint, ez tűzhöz és áramütéshez vezethet; egy gázvezeték megrongálása robbanást eredményezhet; egy vízvezetékbe való behatolás anyagi károkhoz és áramütéshez vezethet)

HASZNÁLAT KÖZBEN

- Normálístól eltérő működés vagy szokatlan, idegen hangok esetén a gépét azonnal kapcsolja ki vagy a töltőkészülék csatlakozóját húzza ki a konnektorból

AKKUMULÁTOR

- **A biztosított akkumulátor részlegesen töltött** (az akkumulátor teljes kapacitásának biztosításához teljes töltöttségi állapotig töltsse azt a kéziszerszám első használatát megelőzően)
- **Csak a következő akkumulátorokkal és töltőkkel használja a szerszámot**
 - SKIL akkumulátor: BR1*31****
 - SKIL töltő: CR1*31****
- A hibás akkumulátor ne használja, hanem cserélje ki
- Ne szerelje szét az akkumulátort
- A gépet/akkumulátort óvja az esőtől
- Megengedett környezeti hőmérséklet (szerszám/töltő készülék/akkumulátor):
 - a töltés során 4...40°C
 - az üzemeltetés során -20...+50°C
 - a tárolás során -20...+50°C

A KÉSZÜLÉKEN/AKKUMULÁTORON TALÁLHATÓ SZIMBÓLUMOK MAGYARÁZATA

- ③ Használat előtt olvassa el a használati utasítást
- ④ Ha az akkumulátorok tűzbe kerülnek, akkor felrobbanhatnak, ezért semmilyen okból ne égesse el az akkumulátorokat
- ⑤ A gépet/töltőkészüléket/akkumulátort ne tárolja 50°C feletti helyiségben
- ⑥ Ne dobja az elektromos kéziszerszámokat és elemek a háztartási szemétkébe

KEZELÉS

- Kombinált kapcsoló a ki/be kapcsolásra valamint a sebességszabályozásra A ②
 - kapcsolóra gyakorolt nyomás megváltoztatásával a sebesség fokozatmentesen nulláról max. fordulatszámig szabályozható
- Az akkumulátor töltése
 - ! **olvassa el a töltővel kapott biztonsági figyelmeztetéseket és utasításokat**
- Akkumulátorok eltávolítása/telepítése ②
- Övcsipesz felcsatolása ⑦
 - csatolja az övcsipeszt L a fúróhoz a biztosított csavar segítségével.
- Akkumulátor töltöttségi-szint jelző ⑧
 - nyomja meg az akkumulátor töltöttségi szintjét jelző

gombot N az aktuális akkumulátorszint kijelzéséhez ⑧a

! **amikor a N ⑧b gomb megnyomása után a legalacsonyabb akkumulátor töltöttség jelző villog, az akkumulátor lemerült**

! **ha a 2 akkumulátor töltöttségi szintet jelző indikátor elkezd villogni, az N ⑧c gomb megnyomása után, az akkumulátor hőmérséklete a megengedett működési tartományon kívül van**

- LED-fény M ⑬

A LED-fény M a kapcsoló aktiválásakor automatikusan kigyullad A

! **ha a LED égő elkezd villogni, az akkumulátorkímérés életbe lép (lásd az alábbiakban)**

- Az akkumulátor védelme

A gép hirtelen kikapcsol vagy nem lehet visszakapcsolni, ha

- **a teher túl nagy** --> távolítsa el a terhet és kezdje újra

- **az akkumulátor hőmérséklete nem a megengedett -20 és +50 °C működési tartományon belül van** --> a 2 akkumulátor töltöttségi szintet jelző indikátor elkezd villogni a N ⑧c gomb megnyomása után; várja meg,

míg az akkumulátor hőmérséklete ismét a megengedett működési tartományon belül van

- **az akkumulátor majdnem teljesen lemerült/üres (mély kisülés elleni védelem)** --> ⑧b alacsony akkumulátor töltöttséget vagy villogó akkumulátor töltöttséget jelez az indikátor, ha megnyomja a N gombot; töltsse fel az akkumulátort

! **ha a készülék automatikusan kikapcsolt, ne próbálja nyomogatni a be-/kikapcsoló gombot, mert az akkumulátor megsérülhet**

- Forgásirány változtatás ⑨

- amennyiben az A ② be/ki kapcsoló nem kattant tökéletesen a helyére ne kapcsolja be gépét

! **a forgásirány kizárólag a gép teljes leállása után változtatható**

- A szerszámhegyek cseréje ⑩

! **soha ne használjon sérült befogóvégű szerszámhegyet**

- Forgatónyomaték beállítás (VariTorque) ⑪

- a forgatónyomatékok olyan módon növelhetjük, ha az B kuplunggyűrűt 1-ről 17-re forgatjuk

- amikor egy csavart akarunk becsavarni, először a VariTorque 1-es helyzetű beállítását próbáljuk ki majd növeljük ezt, amíg a kívánt mélységet el nem érjük

- a F helyzet reteszeli a kuplungot, hogy lehetővé tegye a nehéz (nem ütve) fúró- és csavarozó munkák végzését

- a D helyzet kizárólag útvefúráshoz reteszeli a kuplungot

! **ellenőrizze, hogy a B fokozatválasztó kapcsoló 2-es helyzetben van, ha a C kuplunggyűrűt útvefúrással állította**

! **ne alkalmazzon D útvefúrásat fa, fém, kerámia és műanyag fúrására, hogy megelőzhessen a fúró/csavarozó betét károsodását**

- Mechanikus fokozatválasztás ⑫

- a G kapcsolót állítsuk a kívánt fordulatszám

! **a fokozatváltó kapcsolótát átkapcsolni, ha a gép fordulata lecsökkent**

1

- alacsony fordulatszám

- magas forgatónyomaték

- csavarok be és kihajtásához, nagy átmérőjű furatokhoz
- menetfúráshoz

2

- nagy fordulatszám
- alacsony forgatónyomaték
- ütvefuratokhoz
- kisebb átmérőjű furatokhoz

- A gép vezetése és tartása ⑭

! munka közben mindvégig tartsa gépet a szürke színű markolati terület(ek)en

- a szellőzőnyílásokat J ② mindig tartsa szabadon
- ne gyakoroljon túl nagy nyomást a gépre; hagyja, hogy a gép dolgozzon ön helyett

KARBANTARTÁS / SZERVIZ

- A szerszám nem professzionális használatra készült
- Mindig tartsa tisztán a gépet (különös tekintettel a szellőzőnyílásokra H ②)
- **! távolítsa el az akkumulátort a tisztítás előtt**
- Ha a gép a gondos gyártási és ellenőrzési eljárás ellenére egyszer mégis meghibásodna, akkor a javítással csak SKIL elektromos kéziszerszám-műhely ügyfélszolgálatát szabad megbízni
- küldje az **összeszerelt** gépet a vásárlást bizonyító számlával együtt a kereskedő vagy a legközelebbi SKIL szervizállomás címére (a címlista és a gép szervizdiagramja a www.skil.com címen található)
- Vegye figyelembe, hogy a garancia nem fedei le a túlterhelés és a gép helytelen használata miatt okozott károkat (a SKIL garanciális feltételeit elolvashatja a www.skil.com oldalon, vagy kérdezze meg kereskedőjét)

HASZNÁLAT

- Mindig a megfelelő szerszámhegyet használja ⑮
- **! ne használjon kopott vagy éleetlen szerszámhegyet**
- Fémekekben történő fúrásakor
 - készítsünk kisméretű előfuratot
 - kenje időnként olajjal a fúróhegyet
- Csavarok faanyag végébe vagy szálirányába történő behajtása előtt készítsen előfuratot
- Az eszköz optimális használatához a csavarra állandó nyomást kell gyakorolni, különösen ha kicsavarjuk
- Ha keményfába csavarozunk, szükséges előfuratot készíteni
- Forgácsmentes fúrás ⑯
- Pormentes fúrás falban ⑰
- Pormentes fúrás plafonban ⑱
- Csempék/burkolólapok fúrása megcsúszás nélkül ⑲
- A további információkért lásd a www.skil.com oldalt

KÖRNYEZET

- **Az elektromos kéziszerszámokat, elemek, tartozékokat és csomagolást ne dobja a háztartási szemétkébe** (csak EU-országok számára)
- a használt villamos és elektronikai készülékekről szóló 2012/19/EK irányelv és annak a nemzeti jogba való átültetése szerint az elhasznált elektromos kéziszerszámokat külön kell gyűjteni, és környezetbarát módon újra kell hasznosítani
- erre emlékeztet a ⑥ jelzés, amennyiben felmerül az intézkedésre való igény

! az akkumulátor hatástalanítása előtt az akkumulátor végelt erős szalaggal biztosítsuk, hogy a kúszóáramokat kiküszöbölhessük

ZAJ / REZGÉS

- Az EN 62841-es szabványnak megfelelően végzett mérés szerint a szerszám hangnyomása 83,0 dB(A), hangerőszintje 94,0 dB(A) (bizonytalanság K = 5 dB), a vibráció pedig * (háromtengelyű vektor összege; bizonytalanság K = 1,5 m/s²)
- * fém fúrásakor <2,5 m/s²
- * beton ütvefúrásakor 7,9 m/s²
- A rezgés-kibocsátási szint mérése az EN 62841 szabványban meghatározott szabványosított teszttel összhangban történt; ez egy eszköznek egy másik eszközzel történő összehasonlítására, illetve a rezgésnek való kitettség előzetes felmérésére használható fel az eszköznek az említett alkalmazásokra történő felhasználása során
 - az eszköznek eltérő alkalmazásokra, vagy eltérő, illetve rosszul karbantartott tartozékokkal történő felhasználása jelentősen **emelheti** a kitettség szintjét
 - az idő, amikor az eszköz ki van kapcsolva, vagy amikor ugyan működik, de ténylegesen nem végez munkát, jelentősen **csökkentheti** a kitettség szintjét
- **! az eszköz és tartozékai karbantartásával, kezének melegen tartásával, és munkavégzésének megszervezésével védje meg magát a rezgések hatásaitól**

CZ

Akkumulátorový příklepová 3018/3020 vrtačka/šroubovák

ÚVOD

- Náradí je určeno k příklepovému vrtání do dřeva jakož i k vrtání do dřeva, kovu, keramiky a umělé hmoty; náradí s elektronickou regulací rychlosti a chodem vpravo/ vlevo jsou také vhodné k šroubování a řezání závitů
- Tento nástroj není určen k profesionálnímu použití
- Tento návod s pokyny si pečlivě přečtěte a uschovejte ③

TECHNICKÁ DATA ①

Max. krouticí moment tvrdý šroubový spoj podle ISO 5393 : 55Nm

SOUČÁSTI NÁSTROJE ②

- A** Vypínač zapnout/vypnout a regulace rychlosti
- B** Regulátor pro nastavení kroutícího momentu
- C** Spínač pro funkci výměny
- D** Poloha při příklepovém vrtání
- E** Poloha při vrtání
- F** Poloha šroubováku
- G** Spínač na volbu mechanické rychlosti
- H** Indikátor zvoleného směru otáčení
- J** Větrací štěrbin
- K** Spínač na změnu směru otáček
- L** Přežka na opasek
- M** LED-kontrolka
- N** Indikátor akumulátoru

BEZPEČNOST

OBECNÉ BEZPEČNOSTNÍ POKYNY PRO ELEKTRONÁRAĐÍ

VAROVÁNÍ Přečtěte si veškerá bezpečnostní upozornění, pokyny, obrázky a technické údaje, které jsou s tímto elektrickým nástrojem dodávány. Nedodržení všech níže uvedených pokynů může vést k úrazu elektrickým proudem, požáru a/nebo vážnému zranění.

Všechny pokyny a výstrahy uchovejte pro budoucí potřebu.

Ve varovných upozorněních použitý pojem "elektronářadí" se vztahuje na elektronářadí provozované na el. síti (se síťovým kabelem) a na elektronářadí provozované na akumulátoru (bez síťového kabelu).

1) BEZPEČNOST PRACOVNÍHO MÍSTA

- a) **Udržujte Vaše pracovní místo čisté a uklizené.** Nepořádek nebo neosvětlené pracovní oblasti mohou vést k úrazům.
- b) **Se strojem nepracujte v prostředích ohrožených explozí, kde se nacházejí hořlavé kapaliny, plyny nebo prach.** Elektronářadí vytváří jiskry, které mohou prach nebo páry zapálit.
- c) **Děti a jiné osoby udržujte při použití elektronářadí daleko od Vašeho pracovního místa.** Při rozptýlení můžete ztratit kontrolu nad strojem.

2) ELEKTRICKÁ BEZPEČNOST

- a) **Připojovací zástrčka stroje musí lícovat se zásuvkou. Zástrčka nesmí být žádným způsobem upravena. Společně se stroji s ochranným uzemněním nepoužívejte žádné adaptérové zástrčky.** Neupravené zástrčky a vhodné zásuvky snižují riziko elektrického úderu.
- b) **Zabraňte kontaktu těla s uzemněnými povrchy, jako např. potrubí, topení, sporáky a chladničky.** Je-li Vaše tělo uzemněno, existuje zvýšené riziko elektrického úderu.
- c) **Chraňte stroj před deštěm a vlhkem.** Vniknutí vody do elektrického stroje zvyšuje nebezpečí elektrického úderu.
- d) **Dbejte na účel kabelu, nepoužívejte jej k nošení či zavěšení stroje nebo vytažení zástrčky ze zásuvky. Udržujte kabel daleko od tepla, oleje, ostrých hran nebo pohyblivých dílů stroje.** Poškozené nebo spletené kabely zvyšují riziko elektrického úderu.
- e) **Pokud pracujete s elektronářadím venku, použijte pouze takové prodlužovací kabely, které jsou schváleny i pro venkovní použití.** Použití prodlužovacího kabelu, jež je vhodný pro použití venku, snižuje riziko elektrického úderu.
- f) **Pokud se nelze vyhnout provozu elektronářadí ve vlhkém prostředí, použijte ochranný jistič.** Nasazení ochranného jističe snižuje riziko úderu elektrickým proudem.

3) BEZPEČNOST OSOB

- a) **Buďte pozorní, dávejte pozor na to, co děláte a přistupujte k práci s elektronářadím rozumně. Stroj nepoužívejte pokud jste unaveni nebo pod vlivem drog, alkoholu nebo léků.** Moment nepozornosti při použití elektronářadí může vést k vážným poraněním.

- b) **Noste osobní ochranné pomůcky a vždy ochranné brýle.** Nošení osobních ochranných pomůcek jako maska proti prachu, bezpečnostní obuv s protiskluzovou podrážkou, ochranná přilba nebo sluchátka, podle druhu nasazení elektronářadí, snižují riziko poranění.
 - c) **Zabraňte neúmyslnému uvedení do provozu. Přesvědčte se, že je elektronářadí vypnuté dříve než jej uchopíte, poneseťe či připojíte na zdroj proudu a/ nebo akumulátor.** Máte-li při nošení elektronářadí prst na spínači nebo pokud stroj připojíte ke zdroji proudu zapnutý, pak to může vést k úrazům.
 - d) **Než stroj zapnete, odstraňte seřizovací nástroje nebo šroubovák.** Nástroj nebo klíč, který se nachází v otáčivém dílu stroje, může vést k poranění.
 - e) **Nepřecenejte se. Zajistěte si bezpečný postoj a vždy udržte rovnováhu.** Tim můžete stroj v neočekávaných situacích lépe kontrolovat.
 - f) **Noste vhodný oděv. Nenoste žádný volný oděv nebo šperky. Vlasy a oděv udržte daleko od pohyblivých se dílů.** Volný oděv, šperky nebo dlouhé vlasy mohou být zachyceny pohyblivými se díly.
 - g) **Lze-li namontovat odsávací či zachycující přípravky, přesvědčte se, že jsou připojeny a správně použity.** Použití odsávací prachu může snížit ohrožení prachem.
 - h) **Dbejte na to, abyste při častém používání náradí nebyli méně ostražití a nezapomínali na bezpečnostní zásady.** Nedbalé ovládání může způsobit těžké poranění za zlomek sekundy.
- ### 4) SVĚDOMITÉ ZACHÁZENÍ A POUŽÍVÁNÍ ELEKTRONÁRAĐÍ
- a) **Stroj nepřetěžujte. Pro svou práci použijte k tomu určený stroj.** S vhodným elektronářadím budete pracovat v udané oblasti výkonu lépe a bezpečněji.
 - b) **Nepoužívejte žádné elektronářadí, jehož spínač je vadný.** Elektronářadí, které nelze zapnout či vypnout je nebezpečné a musí se opravit.
 - c) **Než provedete seřízení stroje, výměnu dílů příslušenství nebo stroj odložíte, vytáhnete zástrčku ze zásuvky a/nebo odstraňte odpojitelny akumulátor.** Toto preventivní opatření zabrání neúmyslnému zapnutí stroje.
 - d) **Uchovávejte nepoužívané elektronářadí mimo dosah dětí. Nenechte stroj používat osobám, které se strojem nejsou seznámeny nebo nečetly tyto pokyny.** Elektronářadí je nebezpečné, je-li používáno nezkušenými osobami.
 - e) **Pečujte o elektronářadí a příslušenství svědomitě. Zkontrolujte, zda pohyblivé díly stroje bezvadně fungují a nevzpřichují se, zda díly nejsou zlomené nebo poškozené tak, že je omezena funkce stroje. Poškozené díly nechte před nasazením stroje opravit.** Mnoho úrazů má příčinu ve špatně udržovaném elektronářadí.
 - f) **Rezné nástroje udržte ostré a čisté.** Pečlivě ošetřované rezné nástroje s ostrými reznými hranami se méně vzpřichují a dají se lehčeji vést.
 - g) **Používejte elektronářadí, příslušenství, nasazovací nástroje apod. podle těchto pokynů. Respektujte přítom pracovní podmínky a prováděnou činnost.** Použití elektronářadí pro jiné než určující použití může vést k nebezpečným situacím.
 - h) **Udržte rukojeti a úchytné plochy suché, čisté a bez oleje a maziva.** Kluzké rukojeti a úchytné plochy

neumožňují bezpečnou manipulaci a ovládání nářadí v neočekávaných situacích.

5) SVĚDOMITÉ ZACHÁZENÍ A POUŽÍVÁNÍ AKUMULÁTOROVÉHO NÁŘADÍ

- a) **Akumulátory nabíjejte pouze v nabíječce, která je doporučena výrobcem.** Pro nabíječku, která je vhodná pro určitý druh akumulátorů, existuje nebezpečí požáru, je-li používána s jinými akumulátory.
 - b) **Do elektronářadí používejte pouze k tomu určené akumulátory.** Použití jiných akumulátorů může vést k poraněním a požárům.
 - c) **Nepoužívaný akumulátor uchovávejte mimo kancelářské sponky, mince, klíče, hřebíky, šrouby nebo jiné drobné kovové předměty, které mohou způsobit přemostění kontaktů.** Zkrat mezi kontakty akumulátoru může mít za následek opálení nebo požár.
 - d) **Při špatném použití může z akumulátoru vytéci kapalina. Zabraňte kontaktu s ní. Při náhodném kontaktu opláchněte místo vodou. Pokud kapalina vnikne do očí, navštivte navíc i lékaře.** Vytékající akumulátorová kapalina může způsobit podráždění pokožky nebo popálení.
 - e) **Nepoužívejte akumulátor nebo nářadí, které jsou poškozené nebo upravené.** Poškozené nebo upravené akumulátory se mohou chovat nepředvídaně a způsobit požár, výbuch nebo poranění.
 - f) **Nevstavujte akumulátor nebo nářadí ohni nebo nadměrné teplotě.** Vystavení ohni nebo teplotě nad 130°C může způsobit výbuch.
 - g) **Dodržujte všechny pokyny pro nabíjení a nenabíjejte akumulátor nebo nářadí mimo teplotní rozsah uvedený v pokynech.** Nesprávné nabíjení nebo nabíjení při teplotách mimo uvedený rozsah může poškodit akumulátor a zvýšit riziko požáru.
- #### 6) SERVIS
- a) **Nechte Váš stroj opravit pouze kvalifikovaným odborným personálem a pouze s originálními náhradními díly.** Tím bude zajištěno, že bezpečnost stroje zůstane zachována.
 - b) **Nikdy neprovádějte servis poškozených akumulátorů.** Servis akumulátorů by měl provádět pouze výrobce nebo autorizovaná opravna.

BEZPEČNOSTNÍ PŘEDPISY PRO AKUMULÁTOROVÝ VRTACÍ ŠROUBOVÁK

1) BEZPEČNOSTNÍ PŘEDPISY PRO VEŠKERÉ ČINNOSTI

- a) **Při práci s příklepovou vrtáčkou chraňte svůj sluch.** Působení hluku může způsobit ztrátu sluchu.
- b) **Pokud provádíte práce, při kterých může nasazovací nástroj nebo šroub zasáhnout skrytá elektrická vedení, pak držte elektronářadí za izolovanou část.** Kontakt s vedením pod napětím může přivést napětí i na kovové díly elektronářadí a vést k úderu elektrickým proudem.

2) BEZPEČNOSTNÍ PŘEDPISY PRO POUŽÍVÁNÍ DLOUHÝCH VRTÁKŮ

- a) **Nikdy nepoužívejte vrták při vyšších než maximálních otáčkách vrtáku.** Kdyby se vrták při vyšších otáčkách volně otáčel, aniž by byl v kontaktu s vrtným materiálem, mohl by se ohnout a někoho zranit.
- b) **Při nejdříve začněte vrtat při nižších otáčkách a s vrtákem v kontaktu s vrtným materiálem.** Kdyby

se vrták při vyšších otáčkách volně otáčel, aniž by byl v kontaktu s vrtným materiálem, mohl by se ohnout a někoho zranit.

- c) **Tlačte na nástroj pouze v přímé linii s vrtákem a netlačte příliš.** Vrtáky by se mohly ohnout, zlomit nebo vypadnout, což by mohlo vést ke zranění.

OBECNÉ

- Prach z látek, jako jsou barvy obsahující olovo, některé druhy dřeva, minerály a kovy, může být škodlivý (kontakt s prachem nebo jeho vdechnutí může způsobit alergickou reakci a/nebo vyvolat respirační choroby u obsluhy nebo přihlížejících); **nošte protiprachovou masku a pracujte se zařízením na odsávání prachu, pokud je možné jej připojit**
- Některé druhy prachu jsou klasifikovány jako karcinogenní (například dusový a bukový prach) zejména ve spojení s přísadami pro úpravu dřeva; **nošte protiprachovou masku a pracujte se zařízením na odsávání prachu, pokud je možné jej připojit**
- Dodržujte stanovená nařízení pro práci v prašném prostředí
- **Nepracovávajte žádný materiál obsahující azbest** (azbest je karcinogenní)
- Zabezpečte, aby spínač K ② byl vždy v pozici uprostřed (zablokované) než provedete seřízení stroje nebo výměnu příslušenství, při přenášení nebo odložení stroje

PŘÍSLUŠENSTVÍ

- SKIL zajistí bezvadnou funkci nářadí pouze tehdy, používáte-li původní značkové
- Používejte pouze příslušenství, jejichž dovolené otáčky jsou alespoň tak vysoké jako nejvyšší otáčky stroje naprázdno

PŘED POUŽITÍM

- Vrtáčku nepoužívejte je-li navlhá a nepracujte v blízkosti snadno zápalných nebo výbušných materiálů; před zahájením práce je odstraňte
- Vždy zkontrolujte, zda je napájecí napětí stejné jako napětí uvedené na typovém štítku nabíječe
- **Zajistěte obráběný díl** (obráběný díl uchycený pomocí upínacích zařízení nebo ve svěráku je mnohem bezpečnější než v ruce)
- **Použijte vhodné hledací přístroje k vyhledání skrytých přírodních vedení nebo přivězte místní dodavatelskou společnost** (kontakt s el. vedením může vést k požáru a elektrickému úderu; poškození plynového vedení může vést k explozi; proniknutí do vodovodního potrubí může způsobit věcné škody nebo elektrický úder)

BĚHEM POUŽITÍ

- V případě atypického chování nebo cizích hluků ihned vypněte nářadí nebo vytáhněte nabíječ ze zásuvky

AKUMULÁTOR

- **Dodávaný akumulátor je částečně nabitý** (v zájmu zajištění maximální kapacity akumulátoru jej před prvním použitím vašeho elektronástroje úplně dobijte v nabíječce)
- **Používejte pouze následující akumulátory a nabíječky dodávané s tímto nástrojem**
 - Akumulátor SKIL: BR1*31****
 - Nabíječka SKIL: CR1*31****
- Poškozený akumulátor nepoužívejte, nahraďte jej novým
- Akumulátor nerozebírejte
- Nevstavujte nástroj/akumulátor došti
- Povolená teplota prostředí (nářadí/nabíječka/akumulátor):
 - při nabíjení 4...40°C
 - při provozu -20...+50°C
 - při skladování -20...+50°C

YVSVĚTLENÍ SYMBOLŮ NA NÁSTROJI/BATERII

- ③ Před použitím si přečtete návod k použití
- ④ Baterie při vhození do ohně explodují, proto je nikdy nevhazujte do otevřeného plamene
- ⑤ Nářadí/nabíječ/akumulátor ukládejte na vhodné, suché a zajištěné místo, v prostorách s teplotou maximálně 50°C
- ⑥ Nevyhazujte elektrické nářadí a baterie do komunálního odpadu

OBSLUHA

- Kombinovaný vypínač "zapnuto/vypnuto" a kontrola rychlosti A ②
 - při větším či menším tlaku na spínač, lze měnit plynule otáčky
- Nabíjení akumulátorů
 - ! přečtete si bezpečnostní upozornění a pokyny, které byly dodány spolu s nabíječkou
- Vymutí/instalace akumulátoru ②
- Připevnění přezky na opasek ⑦
 - Připevněte přezku na opasek L k vrtačce pomocí dodaného šroubu.
- Indikátor akumulátoru ⑧
 - stisknete tlačítko indikátoru akumulátoru N, aby ukazovalo aktuální úroveň nabití ⑧a
 - ! když po stisknutí tlačítka N ⑧b začne blikat nejnižší úroveň indikátoru akumulátoru, akumulátor je vypnutý
 - ! když úrovně 2 indikátoru akumulátoru začnou blikat po stisknutí tlačítka N ⑧c, akumulátor není v rozsahu přípustných provozních teplot
- LED-kontrolka M ③
 - LED-kontrolka M se automaticky rozsvítí při aktivaci spínače A
 - ! když LED kontrolka začne blikat, aktivuje se ochrana akumulátoru (viz níže)
- Ochrana baterie
 - Nářadí se najednou vypne nebo mu je zabráněno v zapnutí, když
 - je zátěž příliš vysoká --> odstraňte zátěž a proveďte restart
 - teplota akumulátoru není v rozsahu přípustných provozních teplot -20 až +50 °C --> úrovně 2 indikátoru akumulátoru začnou blikat po stisknutí tlačítka N ⑧c; počkejte, dokud se akumulátor nevrátí do rozsahu přípustných provozních teplot
 - Akumulátor je téměř vybitý (ochrana před přílišným vybitím) --> při stisknutí tlačítka N indikátor akumulátoru zobrazí nízkou úroveň baterie nebo blikající nízkou úroveň akumulátoru ⑧b; vyměňte akumulátor
 - ! po automatickém vypnutí nástroje netiskněte vypínač; mohlo by dojít k poškození akumulátoru
- Změna směru otáček ⑨
 - jestliže poloha doleva/doprava správně nezapadne, není možno zapnout vypínač A ②
 - ! směr otáček se smí změnit pouze je-li nástroj zcela zastaven
- Výměna hrotů ⑩
 - ! nepoužívejte hroty s poškozeným dřikem
- Kontrola kroutícího momentu (VariTorque) ⑪
 - kroutící moment se zvyšuje otáčením stupnice B od 1 do 17
 - při vyšroubování začněte nejdříve s pozicí 1 VariTorque a zvyšujte po dosažení žádané hloubky

- v pozici F je spojka zamčená pro těžké vrtání (bez přiklepu) a šroubování
- v pozici D je spojka zamčená pouze pro přiklepové vrtání

! dbějte na to, aby přepínač volby převodu B byl v poloze 2, když je stupnice C v poloze pro přiklepové vrtání

! polohu pro přiklepové vrtání D nepoužívejte pro vrtání do dřeva, kovu, keramiky a plastu, abyste předešli poškození vrtáku/šroubu

- Mechanická volba převodu ⑫
 - přepínačem G nastavit požadovaní rychlosti
 - ! přepínač volby převodu ovládejte během chodu nástroje docílitě
 - 1
 - nízká rychlost
 - vysoký točivý moment
 - k šroubování a vrtání velkého průměru
 - k řezání vnitřního závitů
 - 2
 - vysoká rychlost
 - nejnižší točivý moment
 - k přiklepovému vrtání
 - k vrtání menších průměrů
- Držení a vedení nástroje ⑬
 - ! při práci vždy držte nástroj v šedě zabarvené oblasti rukojeti
 - udržujte větrací štěrbiny J ② nezakryté
 - na přístroj příliš netlačte; nechte jej, aby pracoval za vás


ÚDRŽBA / SERVIS

- Tento nástroj není určen k profesionálnímu použití
- Nástroj udržujte vždy čistý (zejména větrací štěrbiny H ②)
 - ! před montáží vyjměte akumulátor z nástroje
- Pokud dojde i přes pečlivou výrobu a náročnou kontrolu k poruše nástroje, světe provedení opravy autorizovanému servisnímu středisku pro elektronářadí firmy SKIL
 - zašlete nástroj nerozebráný spolu s potvrzením o nákupu své prodejně nebo nejbližšímu servisu značky SKIL (adresy a servisní schéma nástroje najdete na www.skil.com)
- Uvědomte si, že na poškození způsobené přetížením nebo nesprávným zacházením se nevztahuje záruka (záruční podmínky společnosti SKIL najdete na adrese www.skil.com nebo se obraťte na prodejce)

NÁVOD K POUŽITÍ

- Použijte správné vrtáky ⑭
 - ! používejte pouze ostré hroty
- Při vrtání v kovu
 - předvrtajte napřed malý otvor
 - vrták při práci občas naolejujte
- Při zašroubování šroubu na konci nebo na začátku nějakého dřeva by měla být předvrtána díra, aby se zamezilo rozštípnutí dřeva
- Pro optimální využití přístroje je nutno zvolit odpovídající tlak na šroub, zvláště při vyšroubování
- Při šroubování do tvrdého dřeva, je nutno díru předvrtat
- Vrtání dřeva bez vzniku třísek ⑯
- Bezprašné vrtání zdi ⑰
- Bezprašné vrtání stropů ⑱
- Vrtání dlaždic bez skluzu ⑲
- Další informace najdete na www.skil.com

ŽIVOTNÍ PROSTŘEDÍ

- **Elektrické nářadí, baterie, doplňky a balení nevyhazujte do komunálního odpadu** (jen pro státy EU)
 - podle evropské směrnice 2012/19/EG o nakládání s použitými elektrickými a elektronickými zařízeními a odpovídajících ustanovení právních předpisů jednotlivých zemí se použítá elektrická nářadí, musí sbírat odděleně od ostatního odpadu a podrobit ekologicky šetrnému recyklování
 - symbol  na to upozorňuje
- ! **v vyřazených akumulátorův zakryjte kontakty izolační páskou, zabráníte tím plazivým proudům**

HLUČNOSTI / VIBRACÍ

- Při měření v souladu s normou EN 62841 je hladina akustického tlaku tohoto nástroje 83,0 dB(A) a hladina hlučnosti 94,0 dB(A) (nepřesnost K = 5 dB), a vibrace * (celkové hodnoty vibrací; nepřesnost K = 1,5 m/s²)
 - * při vrtání do kovu <2,5 m/s²
 - * při vrtání do betonu s přiklepem 7,9 m/s²
- Úroveň vibrací byla měřena v souladu se standardizovaným testem podle EN 62841; je možné ji použít ke srovnání jednoho přístroje s druhým a jako předběžné posouzení vystavování se vibracím při používání přístroje k uvedeným aplikacím
 - používání přístroje k jiným aplikacím nebo s jiným či špatně udržovaným příslušenstvím může zásadně **zvýšit** úroveň vystavení se vibracím
 - doba, kdy je přístroj vypnutý nebo kdy běží, ale ve skutečnosti není využíván, může zásadně **snížit** úroveň vystavení se vibracím
- ! **chraňte se před následky vibrací tak, že budete dbát na údržbu přístroje a příslušenství, budete si udržovat teplé ruce a uspořádáte si své pracovní postupy**

TR

Akumulátorová delmač / vidaloma makinesi 3018/3020

GİRİŞ

- Bu alet, tuğla malzemede darbeleri delme ile tahta, metal, seramik ve plastik malzemede delme işleri için geliştirilmiştir; elektronik hız kontrolü ve sağ/sol dönüşlü aletler vidalama ve diğ açma işlerine de uygundur
- Bu alet profesyonel kullanıma yönelik değildir
- Bu kullanma kılavuzunu okuyun ve saklayın ③

TEKNİK VERİLER ①

ISO 5393'e göre sert vidalamada maksimum tork : 55Nm

ALET BİLEŞENLERİ ②

- A Açma/kapama ve hız kontrol anahtarı
- B Tork kontrol
- C Değiştirme işlevi anahtarı
- D Darbeleri delme konumu
- E Delme konumu
- F Vidalama konumu
- G Vites seçme şalteri
- H Seçilen dönüş yönü göstergesi

- J Havalandırma yuvaları
- K Dönüş yönü değiştirme düğmesi
- L Kemer klipsi
- M LED-işığı
- N Batarya şarj süre göstergesi

GÜVENLİK

GENEL ELEKTRİKLİ EL ALETİ GÜVENLİK UYARILARI

⚠ UYARI Bu elektrikli alet ile birlikte verilen tüm uyarıları, talimatları, resimleri ve özellikleri okuyun.

Aşağıda listelenen talimatların tamamına uyulmaması durumunda elektrik çarpması, yangın ve/veya ciddi yaralanmalar meydana gelebilir.

Tüm uyarı ve talimatları ileride kullanmak üzere saklayın.

Uyarı ve talimat hükümlerinde kullanılan "elektrikli el aleti" kavramı, akım şebekesine bağlı (şebeke bağlantı kablosu ile) aletlerle akü ile çalışan aletleri (akım şebekesine bağlantısı olmayan aletler) kapsamaktadır.

1) ÇALIŞMA YERİ GÜVENLİĞİ

- Çalıştığınız yeri temiz ve düzenli tutun.** Düzensizlik veya yetersiz aydınlatma kazalara neden olabilir.
- Yanıcı sıvıların, gazların veya tozların bulunduğunu patlama tehlikesi olan yer ve mekânlarda aletle çalışmayın.** Elektrikli el aletleri, toz veya buharların tutuşmasına veya yanmasına neden olan kıvılcıklar çıkarırlar.
- Elektrikli el aletiyle çalışırken çocukları ve başkalarını çalışma alanınızın uzağında tutun.** Yakınızdaki bulunan kişiler dikkatinizi dağıtabilir ve bu da alet üzerindeki kontrolünüzü kaybetmenize neden olabilir.

2) ELEKTRİKSEL GÜVENLİK

- Aletin bağlantı fişi prize uymalıdır. Fişi hiçbir şekilde değiştirmeyin. Koruyucu topraklamalı aletlerle adaptörlü fiş kullanmayın.** Değiştirmemiş, orijinal fiş ve uygun prizler elektrik çarpmaya tehlikesini azaltır.
 - Borular, kalorifer tesisatı, ısıtıcılar ve buzdolapları gibi topraklanmış yüzeylerle bedensel temasa geçmekten kaçının.** Eğer bedeniniz topraklanacak olursa yüksek bir elektrik çarpmaya tehlikesi ortaya çıkar.
 - Aleti yağmur ve nemden koruyun.** Elektrikli el aletinin içine suyun sızması elektrik çarpmaya tehlikesini yükseltir.
 - Kabloyu kendi amacı dışında kullanmayın; örneğin aleti kablodan tutarak taşımayın, aleti kablo ile asmayın veya kablodan çekerek fişi prizden çıkarmayın.** Kabloyu aşırı ısıtılan, yağlardan, keskin kenarlı cisimlerden veya aletin hareketli parçalarından uzak tutun. Hasarlı veya dolaşmış kablo elektrik çarpmaya tehlikesini yükseltir.
 - Elektrikli el aletiyle açık havada çalışırken mutlaka açık havada kullanılmaya uygun uzatma kablosu kullanın.** Açık havada kullanılmaya uygun uzatma kablosunun kullanılması elektrik çarpmaya tehlikesini azaltır.
 - Elektrikli el aletinin nemli ortamlarda çalıştırılması şartsa, mutlaka kaçak akım cihazı (RCD) kullanın.** RCD kullanımı elektrik çarpmaya tehlikesini azaltır.
- ### 3) KİŞİLERİN GÜVENLİĞİ
- Dikkatli olun, ne yaptığınıza dikkat edin ve elektrikli el aletiyle çalışırken makul hareket edin.**

Yorgunsanız, ilaç kullanıyorsanız veya uyuşturucu madde ya da alkol etkisi altındaysanız aleti kullanmayın. Aleti kullanırken bir anlık dikkatsizliğiniz ciddi yaralanmalara yol açabilir.

- b) **Daima kişisel korunma donanımları ve bir koruyucu gözlük kullanın.** Elektrikli el aletin türü ve kullanımına uygun olarak kullanacağınız toz maskesi, kaymayan sağlam iş ayakkabıları, koruyucu kask veya koruyucu kulaklık gibi kişisel korunma donanımlarını kullanmanız yaralanma tehlikesini büyük ölçüde azaltır.
- c) **Aleti yanlışlıkla çalıştırmaktan kaçının. Akım ikmal şebekesine ve/veya aküye bağlamadan, elinize alıp taşımadan önce elektrikli el aletin kapalı durumda olduğundan emin olun.** Elektrikli el aletini parmağınız şalter üzerinde dururken taşırırsanız ve alet açıkken fişi prize sokarsanız kazalara neden olabilirsiniz.
- d) **Aleti çalıştırmadan önce ayar aletlerini veya tornavidaları aletten uzaklaştırın.** Önden alet parçasına temas halinde bulunan bir uç veya anahtar yaralanmalara neden olabilir.
- e) **Kendinizi çok fazla güvenmeyin. Duruşunuzun güvenli olmasına dikkat edin ve daima dengenizi koruyun.** Bu sayede aleti beklenmedik durumlarda daha iyi kontrol edersiniz.
- f) **Uygun iş elbiseleri giyin. Geniş giysiler giymeyin ve takı takmayın. Saçlarınızı ve giysilerinizi aletin hareketli parçalarından uzak tutun.** Bol giysiler, takılar veya uzun saçlar aletin hareketli parçaları tarafından tutulabilir.
- g) **Aletinize toz emme donanımı ve toz tutma donanımı takılabiliyorsa, bunların bağlı olup olmadığını ve doğru işlev görüp görmediklerini kontrol edin.** Toz emme donanımının kullanımı tozdan kaynaklanabilecek tehlikeleri azaltır.
- h) **Aletleri sık kullanmanız sebebiyle kazandığınız alışkanlıklar, güvenlik prensiplerine uymazı önlememelidir.** Dikkatsiz bir hareket, bir anda ciddi yaralanmalara yol açabilir.
- 4) ELEKTRİKLİ EL ALETLERİYLE DİKKATLİ ÇALIŞMAK VE ALETİ DOĞRU KULLANMAK**
- a) **Aleti aşırı ölçüde zorlamayın. İşinize uygun elektrikli el aletini kullanın.** Uygun elektrikli el aleti ile belirtilen performans alanında daha iyi ve daha güvenli çalışırsınız.
- b) **Açma/kapama şalteri arızalı olan elektrikli el aletini kullanmayın.** Açılıp kapanamayan bir elektrikli el aleti tehlikelidir ve onarılması gerekir.
- c) **Alette bir ayarlama işlemine başlamadan, herhangi bir aksesuarı değiştirirken veya aleti elinizden bırakırken fişi prizden çekin veya aküyü çıkarın.** Bu önlem, elektrikli el aletin yanlışlıkla çalışmasını önler.
- d) **Kullanım dışında iken elektrikli el aletinizi çocukların ulaşamayacağı bir yerde saklayın. Aleti kullanmayı bilmeyen veya bu güvenlik talimatını okumayan kişilerin aleti kullanmasına izin vermeyin.** Deneyimsiz kişiler tarafından kullanıldıkları takdirde elektrikli el aletleri tehlikeli olabilirler.
- e) **Elektrikli el aletin ve aksesuarların bakımını özenle yapın. Aletin hareketli parçalarının kusursuz işlev görüp görmediklerini ve sıkışmadıklarını, parçaların kırık veya hasarlı olup olmadıklarını kontrol edin, aksi takdirde alet işlevini tam olarak yerine getiremez. Aleti kullanmadan önce hasarlı parçaları onartın.** Birçok iş kazası aletlerin kötü ve yetersiz bakımından kaynaklanır.

- f) **Kesici uçları keskin ve temiz tutun.** İyi bakım görmüş kesici uçlar daha ender sıkışırlar ve daha iyi yönlendirilirler.
- g) **Elektrikli el aletlerini, aksesuarı, uçları ve benzerlerini bu güvenlik talimatına uygun olarak kullanın. Aleti kullanırken çalışma koşullarını ve yaptığınızı işi daima dikkate alın.** Elektrikli el aletlerini kendileri için öngörülen işlerin dışında kullanmak tehlikeli durumların ortaya çıkmasına neden olabilir.
- h) **Tutamak ve kavrama yüzeylerini kuru, yağsız ve temiz tutun.** Kaygan tutamak ve kavrama yüzeyleri, aletin beklenmeyen durumlarda güvenli şekilde tutulmasını ve kontrol edilmesini engeller.
- 5) AKÜLÜ ALETLERLE DİKKATLİ ÇALIŞMAK VE ALETLERİ DOĞRU KULLANMAK**
- a) **Aküleri sadece üretici tarafından tavsiye edilen şarj cihazlarında şarj edin.** Belirli bir tür akü için geliştirilmiş bir şarj cihazının değişik bir akü için kullanılması yangın tehlikesine yol açar.
- b) **Elektrikli el aletlerinde sadece o alet için öngörülen aküleri kullanın.** Başka akülerin kullanılması yaralanmalara ve yangın tehlikesinin ortaya çıkmasına neden olabilir.
- c) **Kullanım dışında bulunan aküleri, kontaklar arasında köprüleme yapma olasılığı bulunan büro ataçları, madeni paralar, anahtarlar, çiviler, vidalar veya diğer küçük metal eşya ve cisimlerden uzak tutun.** Akü kontakları arasındaki bir kısa devre yanmalara veya yangın çıkmasına neden olabilir.
- d) **Yanlış kullanım durumunda akünün dışına sıvılar sızabilir. Bu sıvılara temas etmeyin. Yanlışlıkla aküden sızan sıvılara temas ederseniz, temas yerini hemen su ile yıkayın. Eğer söz konusu sıvı gözünüze kaçacak olursa hemen bir hekime başvurun.** Aküden dışarı sızan sıvılar cildinizde tahrişlere veya yanmalara neden olabilir.
- e) **Hasarlı veya değiştirilmiş akü veya el aleti kullanmayın.** Hasarlı veya değiştirilmiş aküler beklenmedik davranışlara yol açarak yangın, patlama ve yaralanmalara neden olabilir.
- f) **Akü veya alete ateşe veya yüksek sıcaklıklara maruz bırakmayın.** Ateşe veya 130°C üstündeki sıcaklıklara maruz kalma patlamalara yol açabilir.
- g) **Tüm şarj talimatlarını uygulayın ve akü ya da aleti talimatlarda belirtilen sıcaklık aralığını dışında şarj etmeyin.** Hatalı şarj veya belirtilen aralık dışındaki sıcaklıklarda şarj aküye zarar vererek yangın riskini yükseltirler.
- 6) SERVİS**
- a) **Aleti sadece uzman bir elemana ve orijinal yedek parçalar kullanılarak onartın.** Böylelikle aletin güvenliğini korumuş olursunuz.
- b) **Hasarlı akülerde onarım işlemi yapmayın.** Akülerin onarımı sadece üretici veya yetkili servisler tarafından yapılmalıdır.

AKÜLÜ DELME / VIDALAMA MAKİNESİ İÇİN GÜVENLİK TALİMATI

- 1) TÜM İŞLEMLER İÇİN GÜVENLİK TALİMATLARI**
- a) **Darbeli delme yaparken kulak koruyucu kullanın.** Gürültüye maruz kalmak işitme kaybına neden olabilir.

- b) **Kesici aksesuar veya kilitlerin gizli kablo tesisatına temas edebileceği yerlerde elektrikli aleti izolasyonlu tutamaklarından tutun.** "Akım taşıyan" bir tele temas eden kesim aksesuarı veya kilit, elektrikli aletin açıkta duran metal parçalarında da "akım dolaşmasına" ve operatörü elektrik çarpmasına neden olabilir.
- 2) **UZUN MATKAP UÇLARI KULLANIMI İÇİN GÜVENLİK TALİMATLARI**
- a) **Asla matkap ucunun maksimum hız değerinden daha yüksek bir hızda işlem yapmayın.** Daha yüksek hızlarda ucun iş parçasına temas etmeden serbestçe dönmeye izin verilmesi halinde uç bükülebilir ve yaralanmalara sebep olabilir.
- b) **Delmeye daima düşük hızda ve uç iş parçasına temas ederken başlayın.** Daha yüksek hızlarda ucun iş parçasına temas etmeden serbestçe dönmeye izin verilmesi halinde uç bükülebilir ve yaralanmalara sebep olabilir.
- c) **Sadece uç ile aynı hızda baskı uygulayın ve aşırı baskı uygulamaktan kaçının.** Uçlar bükülerek kırılma veya kontrol kaybı yaratıp yaralanmaya neden olabilir.

GENEL

- Kurşun içeren boya, bazı ahşap türleri, mineral ve metal gibi malzemelerden çıkan toz zararlı olabilir (tozla temasta bulunulması veya solunması operatörde veya yakında bulunan kişilerde alerjik reaksiyonlara ve/veya solunum yolu hastalıklarına neden olabilir); **toz maskesi takın ve toz ekstraksiyon cihazıyla çalışın (bağlanabiliyorsa)**
- Bazı toz tipleri (örneğin meşe ve kayın ağacı tozu), bilhassa ahşap yenileme katkı maddeleriyle birlikte, kansinojenik olarak sınıflandırılır; **toz maskesi takın ve toz ekstraksiyon cihazı ile çalışın (bağlanabiliyorsa)**
- Çalışmak istediğiniz malzemelerin, toz ile ilgili ulusal taleplerini takip edin
- **Bu aletle asbest içeren malzemeleri işlemeyin** (asbest kanserojen bir madde kabul edilir)
- Herhangi bir aksesuar değişikliği ya da ayarlama yapmadan veya cihaz hareket halindeyken ve/veya boşta bekler vaziyette iken, K ② düğmesinin orta pozisyonunda (kilit pozisyonu) olduğuna emin olun

AKSESUARLAR

- SKIL sadece orijinal aksesuarlar kullanıldığında aletin düzgün çalışmasını garanti eder
- Bu aletle kullanacağınız aksesuar edilen devir sayısı en azından aletin boşta en yüksek devir sayısı kadar olmalıdır

KULLANMADAN ÖNCE

- İş parçasının vida, çivi ve benzeri malzeme tarafından hasar görmemesi için dikkatli olun; çalışmaya başlamadan önce bunları çıkartın
- Güç geriliminin, şarj cihazının özellik plakasında belirtilen voltaj değeriyle aynı olduğunu sık sık kontrol edin
- **Çalıştığınız parçayı sabitleyin** (kıskaçlarla ya da mengeneye sabitlenmiş bir iş parçası elle tutulan işten daha güvenlidir)
- **Görünmeyen elektrik kablolarını belirlemek için uygun bir tarama cihazı kullanın veya yerel akım ikmal şirketlerinden yardım isteyin** (elektrik kablolarıyla temas, yangın çıkmasına veya elektrik çarpmalarına neden olabilir; bir gaz borusu hasar görürse patlama tehlikesi ortaya çıkar; bir su borusunun delinmesi halinde maddi hasarlar meydana gelebilir veya elektrik çarpmaya tehlikesi ortaya çıkabilir)

KULLANIM SIRASINDA

- Alet normal çalışmıyorsa veya değişik gürültüler geliyorsa, aleti hemen kapatın veya şarj cihazın fişini prizden çekin

BATARYALAR

- **Temin edilen batarya bir miktar şarj edilmiştir** (bataryanın tam kapasiteyle çalışmasını sağlamak için, elektrikli aletinizi ilk kez kullanmadan önce bataryayı batarya şarj cihazında tamamen şarj edin)
- **Bu aletle sadece aşağıdaki bataryaları ve şarj cihazlarını kullanın**
 - SKIL bataryası: BR1*31****
 - SKIL şarj cihazı: CR1*31****
- Hasarlı bataryaları kullanmayın, yenileyin
- Bataryayı sökme
- Aleti/bataryayı yağmur altında bırakmayın
- İzin verilen ortam sıcaklığı (aleti/şarj cihazını/batarya):
 - şarjda 4...40°C
 - işletmede -20...+50°C
 - depolamada -20...+50°C

ALET/BATARYA ÜZERİNDE BULUNAN İŞARETLERİN AÇIKLAMASI

- ③ Kullanmadan önce kılavuzu okuyun
- ④ Piller ateşe maruz kaldığında patlar, bu yüzden herhangi bir nedenle pili yakmayın
- ⑤ Aleti, şarj cihazını ve bataryayı daima 0° - 50° arasındaki oda sıcaklığında saklayın
- ⑥ Elektrikli aletlerini ve pilleri evdeki çöp kutusuna atmayın

KULLANIM

- Açma/kapama ve hız kontrolü işlevini gören birleşik şalteri A ②
 - şaltere az veya çok basmak suretiyle hız sıfırdan maksimuma kadar kademesiz olarak ayarlanabilir
- Bataryanın şarj
 - ! **şarj cihazı ile birlikte verilen güvenlik uyarıları ve talimatlarını okuyun**
- Bataryanın çıkarılması/takılması ②
- Kemer klipsinin takılması ⑦
 - kemer klipsini L verilen vida ile matkaba takın.
- Batarya şarj süre göstergesi ⑧
 - mevcut batarya seviyesini ⑧a göstermek için batarya seviyesi gösterge düğmesine N basın
 - ! **düğmeye N ⑧b bastıktan sonra batarya göstergesinin en düşük seviyesi yanıp sönmeye başladığında bataryanın şarjı bitmiş demektir**
 - ! **düğmeye N ⑧c bastıktan sonra batarya göstergesinin 2 seviyeleri yanıp sönmeye başladığında batarya, izin verilen çalışma sıcaklığı aralığında değil demektir**
- LED-ışığı M ⑬
 - Anahtar A etkinleştirilirken LED ışık M otomatik olarak yanar
 - ! **LED ışık yanıp sönmeye başladığında batarya koruması devreye girer (aşağıya bakın)**
- Pili koruma
 - Aşağıdaki durumlarda alet aniden kapanır veya tekrar çalıştırılmaz
 - **yük çok yüksek olduğunda** --> yükü kaldırın ve yeniden çalıştırın
 - **akü sıcaklık aralığı olan -20 ila +50°C içinde değilse** --> düğmeye N ⑧c bastıktan sonra akü göstergesinin 2 seviyeleri yanıp sönmeye başladığında;

bataryanın yeniden izin verilen çalışma sıcaklık aralığına dönmesini bekleyin

- **batarya bitmeye yakınsın (aşırı boşalmaya karşı koruma sağlamak için)** --> düğmeye N basıldığında batarya sağlıy göstergesi tarafından düşük batarya seviyesi veya yanıp sönen düşük batarya seviyesi ⑧b gösterilir; bataryayı şarj edin

! **alet otomatik olarak kapandıktan sonra açma/kapama düğmesine basmayın; pil hasar görebilir**

- Dönüş yönünü deęiştirme ⑨
 - sol/saę pozisyonları doęru olarak kilitleme yapmadığı takdirde, açma/kapama şalteri A ② çalışmaz

! **dönüş yönünü sadece alet tamamen dururken deęiştirin**

- Uçları deęiştirme ⑩
 - ! **hasarlı uçları kullanmayın**
- Tork kontrolü (VariTorque) ⑪
 - kuplaę halkası B, 1'den 17'e doęru çevrildięe tork yükselir
 - bir vidayı takarken önce VariTorque'ünün 1. pozisyonu ile başlayın, daha sonra istediğiniz derinliğe ulaşıncaya kadar yavaş yavaş torku yükseltin
 - konum F delme (darbesiz) veya ağır sıkma işlerini geçekleştirmeye izin vermek için kavramayı kilitlet
 - konum D sadece darbeli delme işlemine izin vermek için kavramayı kilitlet

! **kavrama halkası C darbeli delme konumunda olduęunda dışlı seçicinin B konum 2'de olmasını sağlayın**

! **matkap/vida ucunun zarar görmesini önlemek için ahşap, metal, seramik ve plastik delmeye yönelik olarak darbeli delme D konumunu kullanmayın**

- Mekanik vites seçimi ⑫
 - G şalterini istediğiniz devir pozisyonuna getirin
- ! **vitesi deęiştirme işlemini alet yavaş çalışırken yapın**

- 1
 - düşük devir
 - yüksek tork
 - büyük çaplı vidalama ve delmeler için
 - diş açma için

- 2
 - yüksek devir
 - düşük tork
 - darbeli delmeler için
 - küçük çaplı delmeler için

- Aletin tutulması ve kullanılması ⑭
 - ! **çalışma esnasında, aleti daima gri renkli bölge(ler) den tutun**

- havalandırma yuvalarını J ② açık tutun
- alete çok fazla baskı uygulamayın; bırakın alet sizin için çalışsın

BAKIM / SERVİS

- Bu alet profesyonel kullanıma yönelik deęildir
- Aleti daima temiz tutun (özellikle havalandırma yuvalarını H ②)
- ! **temizlemeden önce aletten bataryayı çıkarın**
- Dikkatli biçimde yürütülen üretim ve test yöntemlerine rağmen alet arıza yapacak olursa, onarım SKIL elektrikli aletleri için yetkili bir serviste yapılmalıdır
 - aleti **ambalajıyla** birlikte satın alma belgenizi de ekleyerek satıcınıza veya en yakın SKIL servisine

ulaştırın (adresler ve aletin servis şemaları www.skil.com adresinde listelenmiştir)

- Aşırı yüklenme ve yanlış kullanımın aleti garanti kapsamından çıkaracağını unutmayın (SKIL garanti koşulları için www.skil.com adresine bakın veya satıcınıza başvurun)

UYGULAMA ÖNERİLERİ

- Uygun uçları kullanın ⑮
 - ! **sadece keskin uçlar kullanın**
- Metalde delik açarken
 - önce küçük bir kılavuz delik açın
 - matkap uçlarını belirli aralıklarla yağlayın
- Bir tahtanın baş kısmına veya sonuna bir vida vidalanırken, tahtanın yarılmaması için bir ön kılavuz delik açın
- Aletin optimal kullanımı için vidanın üzerine sürekli baskı uygulanmalıdır
- Sert tahtaya vidalama yapmadan önce, bir ön kılavuz delik açılmalıdır
- Tahtada çatlaksız delme ⑯
- Duvarlarda tozsuz delme ⑰
- Tavanlarda tozsuz delme ⑱
- Fayans üzerinde kaydırmadan delme ⑲
- Daha fazla bilgi için www.skil.com adresine bakın

ÇEVRE

- **Elektrikli aletlerini, piller, aksesuarları ve ambalajları evdeki çöp kutusuna atmayın** (sadece AB ülkeleri için)
 - kullanılmış elektrikli aletleri, elektrik ve elektronik eski cihazlar hakkındaki 2012/19/EC Avrupa yönergelerine göre ve bu yönergeler ulusal hukuk kurallarına göre uyarlanarak, ayrı olarak toplanmalı ve çevre şartlarına uygun bir şekilde tekrar deęerlendirmeye gönderilmelidir
 - sembol ⑥ size bunu anımsatmalıdır
- ! **bataryayı tasfiye etmeden önce, kaçak akımları önlemek üzere batarya uçlarını ağır bir bantla sarın**

GÜRÜLTÜ / TİTREŞİM

- EN 62841 uyarınca ölçülen bu aletin ses basıncı seviyesi 83,0 dB(A) ve ses gücü seviyesi 94,0 dB(A) (tolerans K = 5 dB), titreşimi ise * (triaks vektör toplamı; tolerans K = 1,5 m/s²)
 - * metalde delerken <2,5 m/s²
 - * betonda darbeli delerken 7,9 m/s²
- Titreşim emisyon seviyesi EN 62841'de sunulan standart teste göre ölçülmüştür; bu seviye, bir aleti bir başkasıyla karşılaştırma amacıyla ve aletin söz konusu uygulamalarda kullanılması sırasında titreşime maruz kalma derecesinin ön deęerlendirmesi olarak kullanılabilir
 - aletin farklı uygulamalar için veya farklı ya da bakımı yetersiz yapılmış aksesuarlarla kullanılması, maruz kalma seviyesini belirgin biçimde **artırabilir**
 - aletin kapalı olduęu veya çalıştığı ancak gerçek anlamda iş yapmadığı zamanlarda, maruz kalma seviyesi belirgin biçimde **azalabilir**
- ! **aletin ve aksesuarlarının bakımını yaparak, ellerinizi sıcak tutarak ve iş modellerinizi düzenleyerek kendinizi titreşimin etkilerinden koruyun**

Akumulatorowa wiertarka 3018/3020 udarowa/wkrętarka

WSTĘP

- Narzędzie to przeznaczone jest do wiercenia z udarem w cegle oraz do wiercenia w drewnie, metalu, materiałach ceramicznych i tworzywach sztucznych; elektronicznie regulację prędkości wiertarki z prawym i lewym biegiem doskonale sprawdzają się również jako wkrętarki oraz gwinciaraki
- Narzędzie nie jest przeznaczone do zastosowań profesjonalnych
- Przeczytać i zachować niniejszą instrukcję obsługi ③

DANE TECHNICZNE ①

Maks. moment obrotowy twardego wkręcania wg ISO 5393 : 55Nm

ELEMENTY NARZĘDZIA ②

- A Przycisk włącznik/wyłącznik i regulator prędkości
- B Pierścień nastawy sprzęgła
- C Przełącznik zmiany funkcji
- D Pozycja wiercenia udarowego
- E Pozycja wiercenia
- F Pozycja wkręcania
- G Przełącznik biegów
- H Wskaźnik wyboru kierunku rotacji
- J Szczeliny wentylacyjne
- K Przełącznik zmiany kierunku rotacji
- L Mocowanie do paska
- M Lampka LED
- N Wskaźnik poziomu naładowania akumulatora

BEZPIECZEŃSTWO

OGÓLNE OSTRZEŻENIA DOTYCZĄCE BEZPIECZEŃSTWA UŻYTKOWNIA ELEKTRONARZĘDZIA

⚠ OSTRZEŻENIE Należy przeczytać wszystkie ostrzeżenia dotyczące bezpieczeństwa, instrukcje, ilustracje i dane techniczne dostarczone z tym elektronarzędziem. Nieprzestrzeganie wszystkich poniższych instrukcji może skutkować porażeniem prądem, pożarem i/lub poważnym obrażeniem ciała.

Wszystkie ostrzeżenia i wskazówki należy zachować do dalszego zastosowania.

Użyte w poniższym tekście pojęcie "elektronarzędzie" odnosi się do elektronarzędzi zasilanych energią elektryczną z sieci (z przewodem zasilającym) i do elektronarzędzi zasilanych akumulatorami (bez przewodu zasilającego).

1) BEZPIECZEŃSTWO MIEJSCA PRACY

- a) **Miejsce pracy należy utrzymywać w czystości i dobrze oświetlone.** Nieporządek lub nie oświetlone miejsce pracy mogą doprowadzić do wypadków.
- b) **Nie należy pracować tym narzędziem w otoczeniu**

zagrożonym wybuchem, w którym znajdują się np. łatwopalne ciecz, gazy lub pyły. Elektronarzędzia wytwarzają iskry, które mogą podpalić ten pył lub parę.

- c) **Elektronarzędzie trzymać podczas pracy z daleka od dzieci i innych osób.** Przy nieuwadze można stracić kontrolę nad narzędziem.
- #### 2) BEZPIECZEŃSTWO ELEKTRYCZNE
- a) **Wtyczka urządzenia musi pasować do gniazda. Nie wolno modyfikować wtyczki w jakikolwiek sposób. Nie należy używać wtyczek adapterowych razem z uziemnionymi narzędziami.** Niezmienione wtyczki i pasujące gniazda zmniejszają ryzyko porażenia prądem.
 - b) **Należy unikać kontaktu z uziemnionymi powierzchniami jak rury, grzejniki, piece i lodówki.** Istnieje zwiększone ryzyko porażenia prądem, gdy Państwa ciało jest uziemnione.
 - c) **Urządzenie należy zabezpieczyć przed deszczem i wilgocią.** Wniknięcie wody do elektronarzędzia podwyższa ryzyko porażenia prądem.
 - d) **Nigdy nie należy używać kabla do innych czynności. Nigdy nie używać kabla do noszenia urządzenia za kabel, zawieszenia lub do wyciągania wtyczki z gniazda. Kabel należy trzymać z daleka od wysokich temperatur, oleju, ostrych krawędzi lub ruchomych części urządzenia.** Uszkodzone lub poplątane kable zwiększają ryzyko porażenia prądem.
 - e) **W przypadku, kiedy elektronarzędziem pracuje się na świeżym powietrzu należy używać kabla przedłużającego, który dopuszczony jest do używania na zewnątrz.** Użycie dopuszczonego do używania na zewnątrz kabla przedłużającego zmniejsza ryzyko porażenia prądem.
 - f) **Jeżeli nie da się uniknąć zastosowania elektronarzędzia w wilgotnym otoczeniu, należy użyć wyłącznika ochronnego różnicowo-prądowego.** Zastosowanie wyłącznika ochronnego różnicowo-prądowego zmniejsza ryzyko porażenia prądem.
- #### 3) BEZPIECZEŃSTWO OSÓB
- a) **Należy być uważnym, uważać na to co się robi i pracę elektronarzędziem rozpoczynać z rozsądkiem. Nie należy używać urządzenia gdy jest się zmęczonym lub pod wpływem narkotyków, alkoholu lub leków.** Moment nieuwagi przy użyciu urządzenia może doprowadzić do poważnych urażeń ciała.
 - b) **Należy nosić osobiste wyposażenie ochronne i zawsze okulary ochronne.** Noszenie osobistego wyposażenia ochronnego jak maska przeciwpyłowa, nie ślizgające się buty robocze, hełm ochronny lub ochrona słuchu, w zależności od rodzaju i zastosowania elektronarzędzia zmniejsza ryzyko obrażeń ciała.
 - c) **Należy unikać niezamierzonego uruchomienia narzędzia. Przed włożeniem wtyczki do gniazdka i/lub podłączeniem do akumulatora, a także przed podniesieniem lub przeniesieniem elektronarzędzia, należy upewnić się, że elektronarzędzie jest wyłączone.** Trzymanie palca na wyłączniku podczas przenoszenia elektronarzędzia lub podłączenie do prądu włączanego narzędzia, może stać się przyczyną wypadków.
 - d) **Zanim urządzenie zostanie włączone należy usunąć narzędzia nastawcze lub klucze.** Narzędzie lub klucz, które znajdują się w ruchomych częściach urządzenia mogą doprowadzić do obrażeń ciała.

- e) **Nie należy przeceniać swoich możliwości. Należy dbać o bezpieczną pozycję pracy i zawsze utrzymywać równowagę.** Przez to możliwa jest lepsza kontrola urządzenia w nieprzewidywanych sytuacjach.
- f) **Należy nosić odpowiednie ubranie. Nie należy nosić luźnego ubrania lub biżuterii. Włosy i ubranie należy trzymać z daleka od ruchomych elementów.** Luźne ubranie, biżuteria lub długie włosy mogą zostać pociągnięte przez poruszające się części.
- g) **W przypadku, kiedy możliwe jest zamontowanie urządzeń odsysających lub podchwytyjących należy upewnić się, czy są one właściwie podłączone i prawidłowo użyte.** Użycie urządzenia odsysającego pył może zmniejszyć zagrożenie pyłami.
- h) **Nie wolno pozwolić, aby rutyna nabyta w wyniku wielokrotnego użycia elektronarzędzia, zastąpiła ścisłe przestrzeganie zasad bezpieczeństwa.** Niedbale obsługiwane elektronarzędzie może w ułamku sekundy wyrządzić istotne szkody lub spowodować ciężkie obrażenia.
- 4) **UWAŻNE OBCOWANIE ORAZ UŻYCIE ELEKTRONARZĘDZIA**
 - a) **Nie należy przeciążać urządzenia. Do pracy używać należy elektronarzędzia, które jest do tego przewidziane.** Odpowiednim narzędziem pracuje się lepiej i bezpieczniej w podanym zakresie sprawności.
 - b) **Nie należy używać elektronarzędzia, którego włącznik/wyłącznik jest uszkodzony.** Elektronarzędzie, którego nie można włączyć lub wyłączyć jest niebezpieczne i musi zostać naprawione.
 - c) **Przed rozpoczęciem jakichkolwiek prac nastawczych, przed wymianą osprzętu lub przed odłożeniem elektronarzędzia należy wyjąć wtyczkę z gniazda sieciowego i/lub usunąć akumulator.** Ten środek ostrożności zapobiega niezamierzonemu włączeniu się urządzenia.
 - d) **Nie używane elektronarzędzia należy przechowywać poza zasięgiem dzieci. Nie należy udostępniać narzędzia osobom, które jego nie umieją lub nie przeczytały tych przepisów.** Używane przez niedoświadczone osoby elektronarzędzia są niebezpieczne.
 - e) **Elektronarzędzia i osprzęt należy utrzymywać w nienagannym stanie technicznym. Należy kontrolować, czy ruchome części urządzenia funkcjonują bez zarzutu i nie są zablokowane, czy części nie są pęknięte lub uszkodzone, co mogłoby mieć wpływ na prawidłowe funkcjonowanie urządzenia. Uszkodzone narzędzie należy przed użyciem urządzenia oddać do naprawy.** Wiele wypadków spowodowanych jest przez niewłaściwą konserwację elektronarzędzi.
 - f) **Osprzęt tnący należy utrzymywać ostry i czysty.** Starannie pielęgnowany osprzęt tnący z ostrymi krawędziami tnącymi blokuje się rzadziej i łatwiej się używa.
 - g) **Elektronarzędzia, osprzęt, narzędzia itd. należy używać odpowiednio do tych przepisów. Uwzględnić należy przy tym warunki pracy i czynność do wykonania.** Użycie elektronarzędzi do innych niż przewidziane prace może doprowadzić do niebezpiecznych sytuacji.
 - h) **Uchwyty i powierzchnie chwytowe powinny być**

zawsze suche, czyste, niezabrudzone olejem ani smarem. Śliskie uchwyty i powierzchnie chwytowe nie pozwalają na bezpieczne trzymanie narzędzia i kontrolę nad nim w nieoczekiwanych sytuacjach.

5) **UWAŻNE OBCOWANIE I UŻYWANIE NARZĘDZI ZASILANYCH AKUMULATORAMI**

- a) **Akumulatory należy ładować tylko w ładowarkach, które polecił producent.** W ładowarce, która nadaje się do ładowania określonych akumulatorów istnieje niebezpieczeństwo pożaru, gdy użyte zostaną inne akumulatory.
- b) **Do elektronarzędzi należy używać jedynie przewidzianych do tego akumulatorów.** Użycie innych akumulatorów może doprowadzić do obrażeń ciała i niebezpieczeństwa pożaru.
- c) **Nie używany akumulator należy trzymać z daleka od spinaczy, monet, kluczy, gwoździ, śrub lub innych małych przedmiotów metalowych, które mogłyby spowodować zwarcie kontaktów.** Zwarcie pomiędzy kontaktami akumulatora może spowodować oparzenia lub pożar.
- d) **Przy niewłaściwym użyciu możliwe jest wydostanie się cieczy z akumulatora. Należy unikać kontaktu z nią. Przy przypadkowym kontakcie spłukać wodą.** W przypadku, że ciecz dostała się do oczu należy dodatkowo skonsultować się z lekarzem. Ciecz akumulatorowa może doprowadzić do podrażnienia skóry lub oparzeń.
- e) **Nie wolno użytkować uszkodzonych ani modyfikowanych akumulatorów i elektronarzędzi.** Uszkodzone lub przerabiane akumulatory mogą się nieprzewidzianie zachować, powodując niebezpieczne dla zdrowia skutki (zapłon, eksplozja, obrażenia ciała).
- f) **Akumulator należy trzymać z dala od ognia oraz chronić przed ekstremalnymi temperaturami.** Wskutek działania ognia lub temperatury przekraczającej 130°C akumulator może eksplodować.
- g) **Należy stosować się do wszystkich wskazówek dotyczących ładowania. Nie wolno ładować akumulatora lub elektronarzędzia w temperaturze znajdującej się poza zakresem sprecyzowanym w niniejszej instrukcji.** Niezgodne z instrukcją ładowanie lub ładowanie w temperaturze nie mieszczącej się w zalecanym zakresie może spowodować uszkodzenie akumulatora oraz zwiększa ryzyko pożaru.
- 6) **SERWIS**
 - a) **Naprawę urządzenia należy zlecić jedynie kwalifikowanemu fachowcowi i przy użyciu oryginalnych części zamiennych.** To gwarantuje, że bezpieczeństwo użytkowania zostanie zachowane.
 - b) **Nie wolno w żadnym wypadku naprawiać uszkodzonego akumulatora.** Naprawy akumulatora można dokonywać wyłącznie u producenta lub w autoryzowanym punkcie serwisowym.

PRZEPISY BEZPIECZEŃSTWA DO AKUMULATOROWEJ WIERTARKO-WKRĘTARKI

- 1) **INSTRUKCJE BEZPIECZEŃSTWA ODNOSZĄCE SIĘ DO WSZYSTKICH OPERACJI**
 - a) **Podczas wiercenia udarowego zakładać ochronniki słuchu.** Narażenie na hałas może doprowadzić do utraty słuchu.

- b) **Podczas wykonywania prac, przy których narzędzie robocze lub śruba mogłyby natrafić na ukryte przewody elektryczne, elektronarzędzie należy trzymać za izolowaną powierzchnię uchwytu.**

Narzędzie robocze i śruby dotykające przewodu pod napięciem mogą spowodować przepływ napięcia przez metalowe części elektronarzędzia i porażenie operatora.

2) INSTRUKCJE BEZPIECZEŃSTWA PODCZAS UŻYTKOWANIA DŁUGICH WIERTŁ

- a) **Nigdy nie wiertć z większą prędkością niż maksymalna prędkość znamionowa wiertła.** Przy wyższych prędkościach wiertło może się zgąść, jeśli będzie obracać się bez kontaktu z obrabianym przedmiotem, czego skutkiem mogą być obrażenia ciała.
- b) **Zawsze należy rozpocząć wiercenie od najniższej prędkości z końcówką wiertła przytkniętą do obrabianego przedmiotu.** Przy wyższych prędkościach wiertło może się zgąść, jeśli będzie obracać się bez kontaktu z obrabianym przedmiotem, czego skutkiem mogą być obrażenia ciała.
- c) **Należy naciskać jedynie w linii wiertła, lecz nie należy dociskać zbyt mocno.** Wiertła mogą się zgąść, powodując pęknięcia lub utratę kontroli, czego skutkiem mogą być obrażenia ciała.

OGÓLNE

- Pył pochodzący z takich materiałów, jak farby zawierające ołów, niektóre gatunki drzewa, minerały i metal może być szkodliwy (kontakt z nim lub wdychanie takiego pyłu może powodować reakcje alergiczne i/lub niewydolność oddechową u operatora lub osób towarzyszących); **należy zakładać maskę przeciwpyłową i pracować z urządzeniem odsysającym, jeżeli można je podłączyć**
- Niektóre rodzaje pyłu są zaklasyfikowane jako rakotwórcze (takie, jak pył dębu i buka) szczególnie w połączeniu z dodatkami do kondycjonowania drewna; **należy zakładać maskę przeciwpyłową i pracować z urządzeniem odsysającym pył, jeżeli można je podłączyć**
- Należy stosować się do lokalnych wymogów dotyczących pracy w otoczeniu pyłu powstającego podczas obróbki materiału
- **Nie należy obrabiać materiału zawierającego azbest** (azbest jest rakotwórczy)
- Przed regulacją elektronarzędzia, wymianą osprzętu, w czasie transportu lub podczas przechowywania należy upewnić się czy przełącznik K ② znajduje się w środkowym (blokada) położeniu (zabezpieczony)

AKCESORIA

- SKIL może zagwarantować bezawaryjne działanie narzędzia tylko przy korzystaniu z oryginalnego wyposażenia dodatkowego
- Używać tylko akcesoriów, których dopuszczalna prędkość obrotowa jest co najmniej tak wysoka jak najwyższa prędkość obrotowa urządzenia na biegu bez obciążenia

PRZED UŻYCIEM

- Uwaga na gwoździe, śruby i inne twarde przedmioty; przed przystąpieniem do obróbki powinny być usunięte z obrabianego przedmiotu; usunąć je przed rozpoczęciem pracy
- Każdorazowo należy sprawdzać, czy napięcie zasilania jest zgodne z napięciem podanym na tabliczce znamionowej ładowarki

- **Należy zabezpieczyć miejsce przeznaczone do zszycia** (miejsce przeznaczone do zszycia umieszczone w zaciskach lub imadle jest utrzymywane w miejscu bezpieczniejszym niż w ręku)
- **Aby wykryć ukryte przewody zasilające należy używać stosownych detektorów lub porozumieć się z miejscowymi zakładami energetycznymi** (kontakt z przewodami elektrycznymi może doprowadzić do pożaru i porażenia elektrycznego; uszkodzenie przewodu gazowego może doprowadzić do wybuchu; uszkodzenie przewodów instalacji wodociągowej powoduje szkody rzeczowe i może spowodować porażenie elektryczne)

PODCZAS UŻYWANIA

- W przypadku wadliwego działania mechanicznych lub elektrycznych elementów urządzenia, należy niezwłocznie odłączyć narzędzie przy ładowarce wyjąć wtyczkę z gniazda sieciowego

AKUMULATORY

- **Dostarczany akumulator jest częściowo naładowany** (aby zapewnić pełne naładowanie akumulatora, przed użyciem elektronarzędzia po raz pierwszy akumulator należy całkowicie naładować ładowarką)
- **Do narzędzia należy stosować wyłącznie poniższe akumulatory i ładowarki**
 - Akumulator SKIL: BR1*31****
 - Ładowarka SKIL: CR1*31****
- Uszkodzony akumulator należy wymienić; nie należy używać go do pracy
- Nie rozbierać akumulatora
- Elektronarzędzia/akumulatora nie należy narażać na działanie opadów atmosferycznych
- Dopuszczalna temperatura otoczenia (narzędzie/ładowarka/akumulator):
 - podczas ładowania 4...40°C
 - podczas pracy -20...+50°C
 - podczas przechowywania -20...+50°C

OBJAŚNIENIE SYMBOLI NA NARZĘDZIU/ AKUMULATORZE

- ③ Przed użyciem przeczytaj instrukcję obsługi
- ④ Akumulatory w kontakcie z ogniem mogą eksplodować, więc nie wolno ich pod żadnym pozorem spalać
- ⑤ Narzędzie/ładowarka/akumulator powinny być zawsze przechowywane w pomieszczeniu o temperaturze poniżej 50°C
- ⑥ Nie wyrzucaj elektronarzędzi i baterie wraz z odpadami z gospodarstwa domowego

UŻYTKOWANIE

- Włącznik/wyłącznik ze sterowaniem prędkości obrotowej A ②
 - zmieniając stopień nacisku na przycisk włącznika/wyłącznika można bezstopniowo sterować prędkością w zakresie od zera do maksymalnej prędkości obrotowej
- Ładowanie akumulatora
- **! przeczytać wszystkie ostrzeżenia dotyczące bezpieczeństwa oraz instrukcje dostarczone z ładowarką**
- Usuwanie/montaż baterii ②
- Zakładanie mocowania do paska ⑦
 - mocowanie do paska założyć L do wiertarki za pomocą dostarczonej śruby.
- Wskaźnik akumulatora ⑧
 - nacisnąć przycisk wskaźnika poziomu energii

akumulatora N, aby wyświetlić bieżący poziom energii akumulatora ⑨a

! jeśli po naciśnięciu przycisku wskaźnik miga, wskazując najniższy poziom N ⑧b, akumulator jest wyczerpany

! jeśli po naciśnięciu przycisku na wskaźniku migają 2 paski poziomu, N ⑧c, został przekroczony dopuszczalny limit temperatury roboczej akumulatora

- Lampka LED M ⑬
- Lampka LED M zapala się automatycznie po naciśnięciu przelącznikaA
- **! miganie diody LED oznacza, że wyłączył się system ochrony akumulatora (patrz poniżej)**
- System ochrony baterii
Urządzenie nagle wyłącza się lub nie można go włączyć, gdy
 - **obciążenie jest zbyt duże** --> usunąć obciążenie i uruchomić ponownie
 - **temperatura akumulatora jest poza dopuszczalnym zakresem wynoszącym od -20 do 50°C** --> 2 paski poziomu energii akumulatora na wskaźniku zaczną migać po naciśnięciu przycisku N ⑧c; poczekać, aż temperatura akumulatora powróci do dopuszczalnego zakresu
 - **akumulator jest prawie całkowicie wyczerpany (zabezpieczenie przed głębokim rozładowaniem)**
--> naciśnięcie przycisku N powoduje wyświetlenie na wskaźniku niskiego poziomu akumulatora lub miganie paska niskiego poziomu akumulatora ⑧b; naładować akumulator
 - **! po automatycznym wyłączeniu narzędzia nie naciskać przycisku "on/off", ponieważ może to spowodować uszkodzenie akumulatora**
- Zmiana kierunku obrotów ⑨
 - w przypadku niewłaściwej pozycji przelącznika w lewo/prawo włącznik/wyłącznik A ② jest zablokowany
 - **! kierunek obrotów zmieniać tylko wtedy, gdy narzędzie jest całkowicie zatrzymane**
- Wymiana wiertła ⑩
- **! nie używać wiertła ze zniszczonym uchwytem**
- Kontrola momentu obrotowego (VariTorque) ⑪
 - wielkość momentu zwiększa się pokręcając pierścieniem sprzęgła B z położenia 1 do 17
 - dobierając wielkość momentu obrotowego rozpoczynając próby wkręcania od położenia 1 i następnie zwiększając wielkość momentu aż do osiągnięcia wymaganej głębokości wkręcenia
 - w pozycji F sprzęgło zostanie zablokowane, umożliwiając wiercenie i wkręcanie wymagające dużych momentów obrotowych
 - w pozycji D sprzęgło zostanie zablokowane, umożliwiając wyłącznie wiercenie z udarem
 - **! sprawdź, czy przelącznik biegów B jest w pozycji 2, gdy pierścień sprzęgła C jest w pozycji wiercenia z udarem**
 - **! nie wolno włączać pozycji wiercenia z udarem D do wiercenia w drewnie, metalu, ceramice i plastiku; może to doprowadzić do uszkodzenia wiertła lub śruby**
- Mechaniczne przelączanie biegów ⑫
 - ustawia przelącznik G do pożądanej prędkości

! przelącznik biegów przestawiać podczas ruchu z niewielką prędkością obrotową

- 1
 - niska prędkość
 - wysoki moment obrotowy
 - do wkręcania i wiercenia otworów o dużej średnicy
 - do gwintowania
 - 2
 - wysoka prędkość
 - niski moment obrotowy
 - do wiercenia z udarem
 - do wiercenia otworów o małej średnicy
- Utrzymywanie i prowadzenie narzędzia ⑭
 - **! podczas pracy zawsze trzymać narzędzie za uchwyt(y) ograniczone szarym kolorem**
 - szczeliny wentylacyjne J ② powinny być odkryte
 - nie przyciskać narzędzia zbyt silnie; pozwól mu pracować dla ciebie


KONSERWACJA / SERWIS

- Narzędzie nie jest przeznaczone do zastosowań profesjonalnych
- Zawsze dbać o czystość narzędzia (a szczególnie otworów wentylacyjnych H ②)
- **! przed rozpoczęciem czyszczenia wyjąć akumulator z narzędzia**
- Jeśli narzędzie, mimo dokładnej i wszechstronnej kontroli produkcyjnej ulegnie kiedykolwiek awarii, naprawę powinien przeprowadzić autoryzowany serwis elektronarzędzi firmy SKIL
 - odesłać **nierozebrany** narzędzie, wraz z dowodem zakupu, do dealera lub do najbliższego punktu usługowego SKIL (adresy oraz diagram serwisowy narzędzia znajdują się na stronach www.skil.com)
- Prosimy pamiętać, że uszkodzenia spowodowane przeciążeniem lub niewłaściwym użytkowaniem narzędzia nie podlegają gwarancji (warunki gwarancji SKIL znajdują się na www.skil.com lub pytać swojego dealera)

WSKAZÓWKI UŻYTKOWANIA

- Używać właściwych wiertła ⑮
- **! używać tylko ostrych wiertła**
- Wiercenie otworów w metalach, w skład których wchodzi żelazo
 - podczas wiercenia dużych otworów należy wstępnie wywiercić mały otwór
 - od czasu do czasu naoliwić wiertło
- W celu uniknięcia rozwarstwiania przedmiotów drewnianych przy wkręcaniu wkrętów na brzegu należy otwór odpowiednio nawiercić
- Przy wkręcaniu, a szczególnie wykrcaniu wymagane jest wywieranie stałego nacisku na łeb wkręta
- Przy wkręcaniu wkrętów w twarde drewno wykonać otwór wstępny
- Przewiercanie przedmiotów drewnianych bez wrywania krawędzi ⑯
- Bezpyłowe wiercenie w ścianie ⑰
- Bezpyłowe wiercenie w suficie ⑱
- Wiercenie bez poślizgu w płytkach ceramicznych ⑲
- Więcej informacji można znaleźć pod adresem www.skil.com

ŚRODOWISKO

- **Не вырzucaj elektronazędzi, baterie, akcesoriów i opakowania wraz z odpadami z gospodarstwa domowego** (dotyczy tylko państw UE)
 - zgodnie z Europejską Dyrektywą 2012/19/WE w sprawie zużytego sprzętu elektrotechnicznego i elektronicznego oraz dostosowaniem jej do prawa krajowego, zużyte elektronazędzia należą posegregować i zutyliizować w sposób przyjazny dla środowiska
 - w przypadku potrzeby pozbycia się narzędzia, akcesoriów i opakowania - symbol  przypomni Ci o tym
- ! **przed oddaniem akumulatora do punktu odbioru surowców wtórnych zabezpieczyć taśmą jego styki w celu uniknięcia powstawania prądów pelżających**

HAŁASU / WIBRACJE

- Poziom ciśnienia akustycznego mierzonego zgodnie z normą EN 62841 wynosi 83,0 dB(A), a poziom mocy akustycznej wynosi 94,0 dB(A) (odchylenie K = 5 dB), wibracja * (trójosiowa suma wektorowa; odchylenie K = 1,5 m/s²)
 - * podczas wiercenia w metalie <2,5 m/s²
 - * podczas wiercenia z udarem w betonie 7,9 m/s²
- Poziom emisji wibracji został zmierzony zgodnie z testem standaryzowanym podanym w EN 62841; może służyć do porównania jednego narzędzia z innym i jako ocena wstępna narażenia na wibracje w trakcie używania narzędzia do wymienionych zadań
 - używanie narzędzia do innych zadań, lub z innymi albo źle utrzymanymi akcesoriami, może znacząco **zwiększyć** poziom narażenia
 - przypadki, kiedy narzędzie jest wyłączone lub jest czynne, ale aktualnie nie wykonuje zadania, mogą znacząco **zmniejszyć** poziom narażenia
- ! **należy chronić się przed skutkami wibracji przez konserwację narzędzia i jego akcesoriów, zakładanie rękawic i właściwą organizację pracy**

RU

Акумуляторная ударная 3018/3020 дрель-шурупверт

В состав эксплуатационных документов, предусмотренных изготовителем для продукции, могут входить настоящее руководство по эксплуатации, а также приложения. Информация о подтверждении соответствия содержится в приложении.

Срок службы изделия

Срок службы изделия составляет 7 лет. Не рекомендуется к эксплуатации по истечении 5 лет хранения с даты изготовления без предварительной проверки (дату изготовления см. на этикетке).

Перечень критических отказов и ошибочные действия персонала или пользователя

- не использовать с поврежденной рукояткой или поврежденным защитным кожухом

- не использовать при появлении дыма непосредственно из корпуса изделия
- не использовать с перебитым или оголенным электрическим кабелем
- не использовать на открытом пространстве во время дождя (в распыляемой воде)
- не включать при попадании воды в корпус
- не использовать при сильном искрении
- не использовать при появлении сильной вибрации

Критерии предельных состояний

- перетёрт или повреждён электрический кабель
- поврежден корпус изделия

Тип и периодичность технического обслуживания

Рекомендуется очистить инструмент от пыли после каждого использования.

Хранение

- необходимо хранить в сухом месте
- необходимо хранить вдали от источников повышенных температур и воздействия солнечных лучей
- при хранении необходимо избегать резкого перепада температур
- хранение без упаковки не допускается
- подробные требования к условиям хранения смотрите в ГОСТ 15150 (Условие 1)


Транспортировка

- категорически не допускается падение и любые механические воздействия на упаковку при транспортировке
- при разгрузке/погрузке не допускается использование любого вида техники, работающей по принципу зажима упаковки
- подробные требования к условиям транспортировки смотрите в ГОСТ 15150 (Условие 5)

ВНИМАНИЕ!

В случае возникновения перебоя в работе электроинструмента вследствие полного или частичного прекращения энергоснабжения или повреждения цепи управления энергоснабжением установите выключатель в положение Выкл., убедившись, что он не заблокирован (при его наличии) и отключите сетевую вилку от розетки или отсоедините съёмный аккумулятор (этим предотвращается неконтролируемый повторный запуск)

ВВЕДЕНИЕ

- Этот инструмент предназначен для сверления с ударом по кирпичу а также для сверления по дереву, металлу, керамике и пластмассе; приборы с электронной системой регулирования скорости и с правым и левым вращением пригодны также для завинчивания (напр., винтов/болтов) и нарезания резьбы
- Данный инструмент не подходит для промышленного использования
- Прочитайте и сохраните с данной инструкцией 

ТЕХНИЧЕСКИЕ ДАННЫЕ

СТРАНА ИЗГОТОВЛЕНИЯ

Сделано в Китае

Макс. крутящий момент завинчивания при соединении жестких конструкционных материалов по ИСО 5393 : 55Nm

ДЕТАЛИ ИНСТРУМЕНТА ②

- A Курок-выключатель вкл/выкл и регулятор скорости
- B Кольцо для контроля крутящего момента
- C Переключатель функций
- D Положение при ударном сверлении
- E Положение при сверлении
- F Положение режима отвертки
- G Переключатель передач
- H Индикатор выбранного направления вращения
- J Вентиляционные отверстия
- K Выключатель для изменения направления вращения
- L Крепление для ношения на ремне
- M Световой индикатор
- N Индикатор уровня заряда

БЕЗОПАСНОСТЬ

ОБЩИЕ УКАЗАНИЯ ПО ТЕХНИКЕ БЕЗОПАСНОСТИ ОБ-РАЩЕНИЯ С ЭЛЕКТРОИНСТРУМЕНТАМИ

ВНИМАНИЕ! Следует ознакомиться со всеми правилами техники безопасности, инструкциями, иллюстрациями и техническими данными, содержащимися в прилагаемых к этому электроинструменту материалах. Несоблюдение нижеперечисленных инструкций в полном объеме может повлечь поражение электрическим током, пожар и/или серьезную травму.

Сохраняйте эти инструкции и указания для будущего использования.

Использованное в настоящих инструкциях и указаниях понятие “электроинструмент” распространяется на электроинструмент с питанием от сети (с кабелем питания от электросети) и на аккумуляторный электроинструмент (без кабеля питания от электросети).

1) БЕЗОПАСНОСТЬ РАБОЧЕГО МЕСТА

- a) **Соблюдайте чистоту и поддерживайте надлежащую освещенность на рабочем месте.** Беспорядок на рабочем месте или его плохое освещение могут привести к несчастным случаям.
- b) **Не используйте с электроинструментом во взрывоопасной среде, т.е. в непосредственной близости от легковоспламеняющихся жидкостей, газов или пыли.** В процессе работы электроинструмент искрит и искры могут воспламенить газы или пыль.
- c) **При работе с электроинструментом не допускайте детей или посторонних на Ваше рабочее место.** Отвлечение Вашего внимания может привести к потере контроля над работой электроинструмента.

2) ЭЛЕКТРИЧЕСКАЯ БЕЗОПАСНОСТЬ

- a) **Штепсельная вилка кабеля питания электроинструмента должна соответствовать**

розетке электросети. Не вносите никаких изменений в конструкцию вилки. Не используйте адаптеры для электроинструмента с защитным заземлением. Заводские штепсельные вилки и соответствующие им сетевые розетки существенно снижают вероятность электрошока.

- b) **Избегайте механических контактов с такими заземленными поверхностями, как трубопроводы, системы отопления, плиты и холодильники.** При соприкосновении человека с заземленными предметами во время работы инструментом вероятность электрошока существенно возрастает.
- c) **Оберегайте электроинструмент от воздействия дождя и влаги.** Попадание воды в электроинструмент повышает вероятность электрического удара.
- d) **Используйте кабель строго по назначению. Не допускается тянуть и передвигать электроинструмент за кабель или использовать кабель для вытягивания вилки из розетки.** Берегите кабель инструмента от воздействия высоких температур, масла, острых кромок или движущихся частей электроинструмента. Поврежденный или спутанный кабель повышает возможность электрического удара.
- e) **При работе на улице используйте удлинитель, предназначенный для работы вне помещения.** Использование такого удлинителя снижает вероятность электрического удара.
- f) **Если невозможно избежать применения электроинструмента в сыром помещении, то устанавливайте устройство защиты от утечки в землю.** Использование устройства защиты от утечки в землю снижает риск электрического поражения.

3) ЛИЧНАЯ БЕЗОПАСНОСТЬ

- a) **Будьте внимательны, следите за тем, что Вы делаете и выполняйте работу обдуманно. Не пользуйтесь электроинструментом, если Вы устали или находитесь под воздействием транквилизаторов, алкоголя или медицинских препаратов.** Секундная потеря концентрации в работе с электроинструментом может привести к серьезным травмам.
- b) **Используйте средства индивидуальной защиты. Защитные очки обязательны.** Средства индивидуальной защиты, такие как противопылевой респиратор, нескользящая защитная обувь, шлем-каска, средства защиты органов слуха применяются в соответствующих условиях работы обстоятельствах и минимизируют возможность получения травм.
- c) **Предотвращайте непреднамеренное включение электроинструмента. Перед подключением электроинструмента к электропитанию и/или к аккумулятору убедитесь в выключенном состоянии электроинструмента.** Если Вы при транспортировке электроинструмента держите палец на выключателе или включенный электроинструмент подключаете к сети питания, то это может привести к несчастному случаю.
- d) **Во избежание травм перед включением электроинструмента удалите регулировочный**

- или гаечный ключ из вращающейся части электроинструмента.
- e) **Не переоценивайте свои возможности. Твердо стойте на ногах и удерживайте равновесие.** В таком положении вы сможете лучше контролировать электроинструмент в неожиданных ситуациях.
- f) **Используйте подходящую рабочую одежду. Не надевайте свободную одежду и украшения. Держите волосы и одежду вдали от движущихся частей.** Свободная одежда, украшения или длинные волосы легко могут попасть в движущиеся части электроинструмента.
- g) **При наличии пылеотсасывающих и пылесборных приспособлений убедитесь в том, что они подсоединены и используются надлежащим образом.** Применение пылеотсоса может снизить опасности, создаваемые пылью.
- h) **Хорошее знание электроинструментов, полученное в результате частого их использования, не должно приводить к самоуверенности и игнорированию техники безопасности обращения с электроинструментами.** Одно небрежное действие за долю секунды может привести к серьезным травмам.
- 4) **ЭКСПЛУАТАЦИЯ И УХОД ЗА ЭЛЕКТРОИНСТРУМЕНТОМ**
- a) **Не перегружайте электроинструмент. Используйте тот электроинструмент, который предназначен для данной работы.** С подходящим электроинструментом Вы выполните работу лучше и надежней, используя весь диапазон его возможностей.
- b) **Не используйте электроинструмент с неисправным выключателем.** Инструмент с неисправным выключателем опасен и подлежит ремонту.
- c) **До начала наладки электроинструмента, замены принадлежностей или прекращения работы отключайте штепсельную вилку от розетки сети и/или выньте, если это возможно, аккумулятор.** Данная мера предосторожности предотвращает случайное включение электроинструмента.
- d) **Храните неиспользуемый электроинструмент в недоступном для детей месте и не позволяйте использовать его лицам, не умеющим с ним обращаться или не ознакомленным с инструкцией по эксплуатации.** Электроинструменты представляют собой опасность в руках неопытных пользователей.
- e) **Тщательно ухаживайте за электроинструментом и принадлежностями. Проверяйте безупречность функции подвижных частей, лёгкость их хода, целостность всех частей и отсутствие повреждений, которые могут негативно сказаться на работе инструмента. При обнаружении повреждений сдайте инструмент в ремонт.** Большое число несчастных случаев связано с неудовлетворительным уходом за электроинструментом.
- f) **Режущие части инструмента необходимо поддерживать в заточенном и хорошем состоянии. При надлежащем уходе за режущими принадлежностями с острыми кромками они реже заклиниваются и инструмент лучше поддается контролю.**
- g) **Держите ручку и поверхности захвата сухими и чистыми, следите чтобы на них чтобы на них не было жидкой или неконсистентной смазки.** Скользкие ручки и поверхности захвата препятствуют безопасному обращению с инструментом и не дают надежно контролировать его в непредвиденных ситуациях.
- 5) **ЭКСПЛУАТАЦИЯ И УХОД ЗА АККУМУЛЯТОРНЫМ ЭЛЕКТРОИНСТРУМЕНТОМ**
- a) **Зарядка аккумуляторной батареи производится только на тех зарядных устройствах, которые рекомендованы изготовителем.** Использование нерегламентированных зарядных устройств для зарядки аккумуляторной батареи может привести к возгоранию.
- b) **В электроинструменте надлежит использовать только те аккумуляторные батареи, которые предусмотрены для данного инструмента.** Использование других аккумуляторных батарей может привести к травмам и возникновению пожарной опасности.
- c) **Не оставляйте аккумуляторную батарею рядом с металлическими предметами – канцелярскими скрепками, монетами, ключами, гвоздями, винтами и другими металлическими предметами, которые могут замкнуть контакты.** Короткое замыкание контактов аккумуляторной батареи может привести к ожогам или пожару.
- d) **В случаях ненадлежащего обращения с аккумуляторной батареей из нее может вытечь жидкость. Избегайте контакта с ней. При случайном попадании жидкости на кожу – промойте водой. При попадании жидкости в глаза, обратитесь также за помощью к врачу.** Вытекшая аккумуляторная жидкость может привести к раздражению кожи или ожогам.
- e) **Не используйте поврежденные или измененные аккумуляторы или инструменты.** Поврежденные или измененные аккумуляторы могут повести себя непредсказуемо, что может привести к возгоранию, взрыву или риску получения травмы.
- f) **Не кладите аккумулятор или инструмент в огонь и не подвергайте их воздействию высоких температур.** Огонь или температура выше 130°C могут привести к взрыву.
- g) **Выполняйте все инструкции по зарядке и не заряжайте аккумулятор или инструмент при температуре, выходящей за указанный в инструкции диапазон.** Неправильная зарядка или зарядка при температурах, выходящих за указанный диапазон, могут повредить батарею и повысить риск возгорания.

6) СЕРВИСНОЕ ОБСЛУЖИВАНИЕ

- a) **Передавайте электроинструмент на сервисное обслуживание только квалифицированному персоналу, использующему только подлинные запасные части.** Это обеспечит сохранение безопасности электроинструмента.
- b) **Никогда не обслуживайте поврежденные аккумуляторы.** Обслуживать аккумуляторы разрешается только производителю или авторизованной сервисной организации.

УКАЗАНИЯ ПО БЕЗОПАСНОСТИ ДЛЯ АНКУМУЛЯТОРНЫХ ДРЕЛЕЙ-ШУРУПОВЕРТОВ

1) ПРАВИЛА ТЕХНИКИ БЕЗОПАСНОСТИ ПРИ ПРОВЕДЕНИИ ЛЮБЫХ ВИДОВ РАБОТ

- a) **При сверлении в ударном режиме следует применять средства защиты органов слуха.** Воздействие шума может привести к потере слуха.
- b) **Если при пользовании инструментом крепеж может задеть скрытую проводку, инструмент следует держать за изолированные поверхности.** Контакт режущего инструмента или крепежа с находящейся под напряжением проводкой может привести к подаче напряжения на металлические части инструмента и поражению оператора электротоком.

2) ТЕХНИКА БЕЗОПАСНОСТИ ПРИ ПОЛЬЗОВАНИИ ДЛИННЫМИ СВЕРЛАМИ

- a) **Никогда не работайте с числом оборотов, превышающим рекомендованный для сверла максимум.** При более высоком числе оборотов сверло, вращаясь без контакта с заготовкой, может погнуться, что может повлечь за собой получение травм.
- b) **Сверление следует начинать на небольших оборотах, когда кончик сверла касается заготовки.** При более высоком числе оборотов сверло, вращаясь без контакта с заготовкой, может погнуться, что может повлечь за собой получение травм.
- c) **Давление следует прикладывать в направлении сверла, избегая чрезмерных усилий.** Сверло может погнуться, и дрель вырвет из рук, что может повлечь за собой получение травмы.

ОБЩЕЕ

- Пыль от таких материалов, как свинцовосодержащая краска, некоторые породы дерева, минералы и металл, может быть вредна (контакт с такой пылью или ее вдыхание может стать причиной возникновения у оператора или находящихся рядом лиц аллергических реакций и/или респираторных заболеваний); **надевайте респиратор и работайте с пылеудалющим устройством при включении инструмента**
- Некоторые виды пыли классифицируются как канцерогенные (например, дубовая или буковая пыль), особенно в сочетании с добавками для кондиционирования древесины; **надевайте респиратор и работайте с пылеудалющим устройством при включении инструмента**
- Следуйте принятым в вашей стране требованиям/ нормативам относительно пыли для тех материалов, с которыми вы собираетесь работать

- **Не обрабатывайте материалы с содержанием асбеста** (асбест считается канцерогеном)
- Убедитесь в том, что выключатель К ② находится в центральном положении (выключен) перед тем, как Вы начнете выполнять настройку инструмента или смену принадлежностей, а также при переноске и хранении инструмента

ПРИНАДЛЕЖНОСТИ

- SKIL обеспечивает надёжную работу инструмента только при использовании соответствующих приспособлений
- Использовать только принадлежности, предельно допустимая скорость вращения которых не меньше, чем максимальная скорость вращения прибора на холостом ходу

ПЕРЕД ИСПОЛЬЗОВАНИЕМ

- Избегайте повреждений, которые могут быть вызваны винтами, гвоздями и прочими элементами, находящимися в обрабатываемом предмете; перед началом работы их нужно удалить
- Обязательно убедитесь, что напряжение питания соответствует напряжению, указанному на фирменном штепселе зарядного устройства
- **Закрепите обрабатываемую деталь** (обрабатываемая деталь, зафиксированная посредством зажимных устройств или тисков, закрепляется лучше, нежели при помощи рук)
- **Используйте подходящие металлодетекторы для нахождения скрытых проводов снабжения или наведите справки в местных предприятиях коммунального хозяйства** (контакт с электропроводкой может привести к пожару и электрическому удару; повреждение газопровода может привести к взрыву; повреждение водопровода может привести к повреждению имущества или вызвать электрический удар)

ВО ВРЕМЯ ИСПОЛЬЗОВАНИЯ

- В случае механической или электрической неисправности немедленно выключите инструмент или отсоедините зарядное устройство от источника питания

АНКУМУЛЯТОРЫ

- **Прилагаемый аккумулятор частично заряжен** (чтобы воспользоваться полной емкостью аккумулятора, полностью зарядите аккумулятор в зарядном устройстве перед первым использованием электроинструмента)
- **При эксплуатации инструмента следует пользоваться только следующими аккумуляторами и зарядными устройствами**
 - Аккумулятор SKIL: BR1*31****
 - Зарядное устройство SKIL: CR1*31****
- Запрещается пользоваться поврежденным аккумулятором; его необходимо заменить
- Запрещается разбирать аккумулятор
- Не оставляйте инструмент / аккумулятор под дождем
- Допустимая температура окружающей среды (инструмент/зарядное устройство/аккумулятор):
 - при зарядке 4...40°C
 - при эксплуатации –20...+50°C
 - при хранении –20...+50°C

ПОЯСНЕНИЯ К УСЛОВНЫМ ОБОЗНАЧЕНИЯМ НА ИНСТРУМЕНТЕ/АНКУМУЛЯТОРНОЙ БАТАРЕЕ

- ③ Перед использованием ознакомьтесь с руководством по эксплуатации

- ④ При попадании в огонь батареи взрываются, поэтому ни в коем случае не сжигайте батареи
- ⑤ В зоне хранения инструмента, зарядного устройства и аккумулятора температура не должна подниматься выше 50°C
- ⑥ Не выкидывайте электроинструмент и батареи вместе с бытовым мусором

ИСПОЛЬЗОВАНИЕ

- Комбинированный выключатель предназначен для включения/выключения инструмента и регулирования частоты вращения А ②
 - скорость регулируется плавно в диапазоне от нуля до максимального значения путем изменения нажатия на курок выключателя
- Зарядка аккумулятора
 - ! **ознакомьтесь с прилагаемыми к зарядному устройству правилами техники безопасности**
- Извлечение / установка аккумулятора ②
- присоединения крепления для ремня ⑦
 - присоединение крепления для ремня L к дрели прилагаемым винтом.
- Индикатор уровня заряда ⑧
 - чтобы узнать текущий уровень заряда аккумулятора ⑧а, нажмите на кнопку индикатора уровня заряда N
 - ! **если после нажатия кнопки N ⑧b начинает мигать самый низкий уровень индикатора батареи, значит аккумулятор разряжен**
 - ! **если после нажатия кнопки N ⑧с начинают мигать уровни 2 индикатора батареи, значит температура аккумулятора находится за пределами допустимого диапазона рабочих температур**
- Световой индикатор M ⑬
 - Светодиодный индикатор M включается автоматически при включении выключателя А
 - ! **если светодиод начинает мигать, активируется защита аккумулятора (см. ниже)**
- Защита аккумулятора
 - Инструмент внезапно выключается или не может быть включен, когда
 - **нагрузка слишком высока** --> уменьшите нагрузку и выполните перезапуск
 - **температура аккумулятора выходит за пределы допустимого диапазона рабочих температур от -20 до +50 °C** --> при нажатии кнопки N ⑧с начинают мигать уровни 2 индикатора уровня заряда батареи; дождитесь, пока температура аккумулятора вернется в допустимый диапазон рабочих температур
 - **аккумулятор почти разряжен (для защиты от глубокого разряда)** --> низкий уровень заряда батареи или мигающий низкий уровень заряда батареи ⑧b отображается индикатором уровня заряда батареи при нажатии кнопки N; зарядите аккумулятор
 - ! **в случае автоматического выключения инструмента не пытайтесь включить его снова, поскольку при этом может быть повреждена батарея**
- Изменение направления вращения ⑨
 - выключатель вкл/выкл А ② не работает, если не установлен в положение лево/право

! изменять направление вращения следует только в момент полной остановки инструмента

- Сменные биты ⑩
 - ! **не используйте биты с поврежденным стволем**
- Регулировка крутящего момента (VariTorque) ⑪
 - крутящий момент будет увеличиваться при вращении зажимного кольца муфты В от положения 1 до положения 17
 - при заворачивании винтов, вначале установите регулировочное кольцо муфты VariTorque в положение 1 и затем увеличивайте крутящий момент пока не будет получена требуемая глубина заворачивания
 - в положении F муфта блокируется для обеспечения возможности (безударного) сверления или выполнения других работ в условиях большой нагрузки
 - в положении D муфта блокируется для обеспечения возможности только ударного сверления
- ! **убедитесь в том, что переключатель передач В переведен в положение 2, когда кольцо муфты С находится в положении для ударного сверления**
- ! **не используйте положение для ударного сверления D для выполнения сверления дерева, металла, керамики и пластика, чтобы предотвратить повреждение сверла/винта**
- Механический выбор передачи ⑫
 - установите переключатель G на необходимую скорость
 - ! **переключать передачи допускается на низкой скорости инструмента**
- 1
 - низкая скорость
 - высокий крутящий момент
 - для закручивания шурупов и сверления отверстий большого диаметра
 - для нарезания резьбы
- 2
 - высокая скорость
 - низкий крутящий момент
 - для ударного сверления
 - для сверления отверстий маленького диаметра
- Удержание и направление инструмента ⑭
 - ! **во время работы, всегда держите инструмент за места правильного хвата, которые обозначены серым цветом**
 - содержите вентиляционные отверстия J ② не закрытыми
 - не прилагайте чрезмерных усилий к инструменту; дайте инструменту поработать за Вас

ТЕХОБСЛУЖИВАНИЕ / СЕРВИС

- Данный инструмент не подходит для промышленного использования
- Инструмент следует содержать в чистоте (особенно вентиляционные отверстия H ②)
- ! **перед чисткой следует извлечь из инструмента аккумулятор**
- Если инструмент, несмотря на тщательные методы изготовления и испытания, выйдет из строя, то ремонт следует производить силами авторизованной

сервисной мастерской для электроинструментов фирмы SKIL

- отправьте **неразобранный** инструмент со свидетельством покупки Вашему дилеру или в ближайшую станцию обслуживания фирмы SKIL (адреса и схема обслуживания инструмента приведены в вебсайте www.skil.com)
- Примите к сведению, что повреждения вследствие перегрузки или ненадлежащего обращения с инструментом не будут включены в гарантию (условия гарантии SKIL см. на сайте www.skil.com или узнайте у дилера в Вашем регионе)

СОВЕТЫ ПО ИСПОЛЬЗОВАНИЮ

- Используйте только надлежащие биты ⁽¹⁵⁾
! не пользуйтесь затупившимися битами
- Сверление черных металлов
 - при сверлении отверстия большего диаметра сначала просверлите отверстие меньшего диаметра
 - периодически смазывайте сверло
- При завинчивании шурупа в месте поперечного среза или рядом с ним, а также на кромке деревянной детали рекомендуем во избежание образования трещин сначала просверлить отверстие
- Для обеспечения оптимального режима работы инструмента нажимайте на винт с постоянным усилием при заворачивании и, особенно, при отворачивании
- При заворачивании в твердое дерево предварительно просверлите отверстие для винта
- Сверление по дереву без расщепления материала ⁽¹⁶⁾
- Сверление в стенах без пыли ⁽¹⁷⁾
- Сверление в потолках без пыли ⁽¹⁸⁾
- Сверление по нафелю без проскальзывания ⁽¹⁹⁾
- Подробнее на сайте www.skil.com

ОХРАНА ОКРУЖАЮЩЕЙ СРЕДЫ

- **Не выкидывайте электроинструмент, батареи, принадлежности и упаковку вместе с бытовым мусором** (только для стран ЕС)
 - во исполнение европейской директивы 2012/19/ЕС об утилизации отслужившего свой срок электрического и электронного оборудования и в соответствии с действующим законодательством, утилизация электроинструментов производится отдельно от других отходов на предприятиях, соответствующих условиям экологической безопасности
 - значок ⁽²⁰⁾ напомним Вам об этом, когда появится необходимость сдать электроинструмент на утилизацию
- ! перед тем как выбросить аккумуляторы или направить их на утилизацию, изолируйте клеммы аккумуляторов прочной изоляционной лентой для исключения короткого замыкания**

ШУМ / ВИБРАЦИЯ

- Согласно измерениям в соответствии с EN 62841 уровень звукового давления этого инструмента составляет 83,0 дБ(A), уровень звуковой мощности — 94,0 дБ(A) (погрешность K = 5 дБ), а вибрация *

(векторная сумма по трем осям; погрешность K = 1,5 м/с²)

- * при сверлении в металле <2,5 м/с²
- * при сверлении с ударом в бетоне 7,9 м/с²
- Уровень вибрации был измерен в соответствии со стандартизированным испытанием, содержащимся в EN 62841; данная характеристика может использоваться для сравнения одного инструмента с другим, а также для предварительной оценки воздействия вибрации при использовании данного инструмента для указанных целей
 - при использовании инструмента в других целях или с другими/неисправными вспомогательными приспособлениями уровень воздействия вибрации может значительно **повышаться**
 - в периоды, когда инструмент отключен или функционирует без фактического выполнения работы, уровень воздействия вибрации может значительно **снижаться**
- ! защищайте себя от воздействия вибрации, поддерживая инструмент и его вспомогательные приспособления в исправном состоянии, поддерживая руки в тепле, а также правильно организовав свой рабочий процесс**

UA

Бездротова ударная 3018/3020 дрель/винкрутка ВСТУП

- Пристрій призначений для ударного свердління по цеглі а також для свердління по дереву, металу, керамці та синтетичному матеріалі; прилади з електронною системою регулювання швидкості з правим та лівим обертанням придатні також для загвинчування та нарізання різьби
- Цей інструмент не придатний для промислового використання
- Прочитайте і збережіть цю Інструкцію з експлуатації ⁽³⁾

ТЕХНІЧНІ ДАНІ ⁽¹⁾

Макс.обертальний момент при закручуванні в жорсткі матеріали відп. до ISO 5393 : 55Nm

ЕЛЕМЕНТИ ІНСТРУМЕНТА ⁽²⁾

- A** Вимикач для вкл/викл та регулювання швидкості
- B** Кільце для регулювання моменту обертання
- C** Вимикач для зміни функцій
- D** Положення для свердління з ударом
- E** Положення для свердління
- F** Положення для загвинчування
- G** Перемикач швидкості
- H** Індикатор обраного напрямку обертання
- J** Вентиляційні отвори
- K** Вимикач для зміни напрямку обертання
- L** Кліпса на ремінь
- M** Світлодіодний індикатор
- N** Індикатор рівня заряду батареї

БЕЗПЕКА

ЗАГАЛЬНІ ВКАЗІВКИ З ТЕХНІКИ БЕЗПЕКИ ПОВОДЖЕННЯ З ЕЛЕКТРОІНСТРУМЕНТАМИ

⚠ ПОПЕРЕДЖЕННЯ Уважно вивчіть заповідні заходи та ілюстрації, а також прочитайте вказівки та технічні умови, що входять в комплект поставки цього електроінструменту. Недотримання нижчеперелічених вказівок у повному обсязі може спричинити ураження електричним струмом, пожежу та / або серйозну травму.

Добре зберігайте на майбутнє ці попередження і вказівки.

Під поняттям “електроприлад” в цих попередженнях мається на увазі електроприлад, що працює від мережі (з електрокабелем) або від акумуляторної батареї (без електрокабелю).

1) БЕЗПЕКА НА РОБОЧОМУ МІСЦІ

- a) **Примайте своє робоче місце в чистоті та прибирайте його.** Безлад або погане освітлення на робочому місці можуть призводити до нещасних випадків.
- b) **Не працюйте з приладом у середовищі, де існує небезпена вибуху внаслідок присутності горючих рідин, газів або пилу.** Електроприлади можуть породжувати іскри, від яких може займатися пил або пари.
- c) **Під час працювання з приладом не підпускайте до робочого місця дітей та інших людей.** Ви можете втратити контроль над приладом, якщо Ваша увага буде відвернута.

2) ЕЛЕКТРИЧНА БЕЗПЕКА

- a) **Штепсель приладу повинен пасувати до розетки. Не дозволяється що-небудь міняти в штепселі.** Для роботи з приладами, що мають захисне заземлення, не використовуйте адаптери. Використання оригінального штепселя та належної розетки зменшує ризик удару електричним струмом.
- b) **Уникайте контакту частей тіла із заземленими поверхнями, як напр., трубами, батареями опалення, печами та холодильниками.** Коли Ваше тіло заземлене, існує збільшена небезпека удару електричним струмом.
- c) **Захищайте прилад від дощу та вологи.** Попадання води в електроінструмент збільшує ризик удару електричним струмом.
- d) **Не використовуйте кабелі для перенесення приладу, підвішування або витягування штепселя з розетки.** Захищайте кабелі від жару, олії, гострих країв та деталей приладу, що рухаються. Пошкоджені або закручені кабелі збільшує ризик удару електричним струмом.
- e) **Для зовнішніх робіт обов'язково використовуйте лише такий подовжувач, що допущений для зовнішніх робіт.** Використання подовжувача, що розрахований на зовнішні роботи, зменшує ризик удару електричним струмом.
- f) **Якщо не можна запобігти використанню електроприладу у вологому середовищі, використовуйте пристрій захисту від витоків в**

землю. Використання зростою захисту від витоків в землю зменшує ризик удару електричним струмом.

3) БЕЗПЕКА ЛЮДЕЙ

- a) **Будьте уважними, слідуйте за тим, що Ви робите, та розсудливо поведіться під час роботи з електроприладом. Не користуйтеся приладом, якщо Ви стомлені або знаходитесь під дією наркотиків, спиртних напоїв або лік.** Мить неуважності при користуванні приладом може призводити до серйозних травм.
 - b) **Вдягайте особисте захисне спорядження та обов'язково вдягайте захисні окуляри.** Вдягання особистого захисного спорядження, як напр., - в залежності від виду робіт - захисної маски, спецвзуття, що не новзається, каски або навушників, зменшує ризик травм.
 - c) **Уникайте ненавмисного вмикання. Перш ніж вмикати електроприлад в електромережу або встромляти акумуляторну батарею, брати його в руки або переносити, впевніться в тому, що електроприлад вимкнутий.** Тримання пальця на вимикачі під час перенесення електроприладу або встромляння в розетку увімкненого приладу може призводити до травм.
 - d) **Перед тим, як вмикати прилад, приберіть налагоджувальні інструменти та гайковий ключ.** Знаходження налагоджувального інструмента або ключа в деталі, що обертається, може призводити до травм.
 - e) **Не переоцінюйте себе. Зберігайте стійке положення та завжди зберігайте рівновагу.** Це дозволять Вам краще зберігати контроль над приладом у несподіваних ситуаціях.
 - f) **Вдягайте придатний одяг. Не вдягайте просторий одяг та прираси. Не підставляйте волосся й одяг до деталей, що рухаються.** Просторий одяга, прираси та довге волосся можуть попадати в деталі, що рухаються.
 - g) **Якщо існує можливість монтувати пиловідсмоктувальні або пилоуловлювальні пристрої, переконайтеся, щоб вони були добре під'єднані та правильно використовувалися.** Використання пиловідсмоктувального пристрою може зменшити небезпеки, зумовлені пилом.
 - h) **Добре знання електроінструментів, отримане в результаті частого їх використання, не повинно призводити до самовпевненості й ігнорування принципів техніки безпеки.** Необережна дія може в одну мить призвести до важкої травми.
- #### 4) ПРАВИЛЬНЕ ПОВОДЖЕННЯ ТА КОРИСТУВАННЯ ЕЛЕКТРОПРИЛАДАМИ
- a) **Не перевантажуйте прилад. Використовуйте такий прилад, що спеціально призначений для певної роботи.** З придатним приладом Ви з меншим ризиком отримаєте кращі результати роботи, якщо будете працювати в зазначеному діапазоні потужності.
 - b) **Не користуйтеся приладом з пошкодженням вимикачем.** Прилад, який не можна увімкнути або вимкнути, є небезпечним і його треба відремонтувати.
 - c) **Перед тим, як регулювати що-небудь на приладі, міняти приладдя або ховати прилад,**

- витягніть штепсель із розетки та/або витягніть акумуляторну батарею, якщо вона знімається. Ці попереджувальні заходи з техніки безпеки зменшують ризик ненавмисного запуску приладу.
- d) **Зберігайте електроприлади, якими Ви саме не користуєтесь, далеко від дітей. Не дозволяйте користуватися електроприладом особам, що не знайомі з його роботою або не читали ці вказівки.** У разі застосування недосвідченими особами прилади несуть в собі небезпеку.
- e) **Старанно доглядайте за електроінструментами і приладам. Перевірте, щоб рухомі деталі приладу бездоганно працювали та не заїдали, не були поламаними або настільки пошкодженими, щоб це могло вплинути на функціонування приладу. Пошкоджені деталі треба відремонтувати в авторизованій майстерні, перш ніж ними можна знову користуватися.** Велика кількість нещасних випадків спричиняється поганим доглядом за електроприладами.
- f) **Тримайте різальні інструменти добре нагостреними та в чистоті.** Старанно доглянути різальні інструменти з гострим різальним краєм менше застряють та їх легше вести.
- g) **Використовуйте електроприлади, приладдя до них, робочі інструменти т.і. відповідно до цих вказівок. Беріть до уваги при цьому умови роботи та специфіку виконуваної роботи.** Використання електроприладів для робіт, для яких вони не передбачені, може призводити до небезпечних ситуацій.
- h) **Тримайте рукоятки і поверхні захвату сухими і чистими, слідуйте, щоб на них не було оливи або густо мастила.** Слизькі рукоятки і поверхні захвату унеможливають безпечно поводження з електроінструментом та його контролювання в неочікуваних ситуаціях.
- 5) **ПРАВИЛЬНЕ ПОВОДЖЕННЯ ТА КОРИСТУВАННЯ ЕЛЕКТРОПРИЛАДАМИ, ЩО ПРАЦЮЮТЬ НА АКУМУЛЯТОРНИХ БАТАРЕЯХ**
- a) **Заряджуйте акумуляторні батареї лише в заряджувальних пристроях, рекомендованих виготовлювачем.** Використання заряджувального пристрою для акумуляторних батарей, для яких він не передбачений, може призводити до пожежі.
- b) **Використовуйте в електроприладах лише рекомендовані акумуляторні батареї.** Використання інших акумуляторних батарей може призводити до травм та пожежі.
- c) **Не зберігайте акумуляторну батарею, якою Ви саме не користуєтесь, поряд із канцелярськими скріпками, ключами, гвіздками, гвинтами та іншими невеликими металевими предметами, які можуть спричинити перемикання контактів.** Коротке замикання між контактами акумуляторної батареї може спричинити опіки або пожежу.
- d) **При неправильному використанні з акумуляторної батареї може потіти рідина. Уникайте контакту з нею. При випадковому контакті промийте відповідне місце водою. Якщо рідина потрапила в очі, додатково зверніться до лікаря.** Акумуляторна рідина може спричинити подразнення шкіри або опік.

- e) **Не використовуйте пошкоджені або модифіковані акумулятори або електроінструменти.** Пошкоджені або модифіковані акумулятори повестися неочікувано, що може призвести до пожежі, вибуху або ризику травми.
- f) **Не піддавайте акумулятор або електроінструмент дії вогню або високих температур.** Вогонь або температури вищі за 130°C можуть призвести до вибуху.
- g) **Виконуйте всі вказівки із заряджання і не заряджайте акумулятор або електроінструмент за температур, що виходять за вказані в інструкції мені.** Неправильне заряджання або заряджання за температур, що виходять за вказані мені, може пошкодити батарею і підвищити ризик займання.
- 6) **СЕРВІС**
- a) **Віддавайте свій прилад на ремонт лише кваліфікованим фахівцям та лише з використанням оригінальних запчастин.** Це забезпечить безпеку приладу на довгий час.
- b) **Ніколи не обслуговуйте пошкоджені акумулятори.** Обслуговувати акумулятори дозволяється лише виробнику або авторизованим сервісним організаціям.

ВКАЗІВКИ ПО БЕЗПЕЦІ ДЛЯ ДРИЛІВ/ВИКРУТКИ З АКУМУЛЯТОРНИМ ЖИВЛЕННЯМ

- 1) **ВКАЗІВКИ З ТЕХНІКИ БЕЗПЕКИ ПІД ЧАС ВСІХ ВИДІВ ЕКСПЛУАТАЦІЇ**
- a) **Користуйтеся засобами захисту слуху під час ударного свердління.** Шум може пошкодити слух.
- b) **Під час роботи, коли робочий інструмент або гвинт може зачепити заховану електропроводку, тримайте електроінструмент за ізольовані рукоятки.** Зачеплення проводки, що знаходиться під напругою, може заряджувати також і металеві частини електроінструмента та призводити до удару електричним струмом.
- 2) **ВКАЗІВКИ З ТЕХНІКИ БЕЗПЕКИ ПІД ЧАС ВИКОРИСТАННЯ ДОВГИХ БІТІВ**
- a) **Ніколи не перевищуйте максимальну швидкість, для якої призначене свердло.** На підвищеній швидкості свердло може зігнути, коли в нього не має контакту з робочою поверхнею. Це може спричинити травму.
- b) **Завжди починайте свердлити на низькій швидкості. При цьому свердло повинно знаходитись у контакті з робочою поверхнею.** На підвищеній швидкості свердло може зігнути, коли в нього не має контакту з робочою поверхнею. Це може спричинити травму.
- c) **Натискайте на інструмент тільки у напрямку свердління і не допускайте надмірного тиску.** Свердла можуть гнутись, що призводить до поламки або втрати контролю і може спричинити травму.
- ЗАГАЛЬНЕ**
- Пил від таких матеріалів, як свинцовоутримуюча фарба, деякі породи дерева, мінерали й метал, може бути шкідливим (контакт із таким пилом або його вдихання може стати причиною виникнення в оператора або осіб, що перебувають поруч, алергійних реакцій і/або респіраторних

захворювань); **надягайте респіратор і працюйте з пиловидалючим пристроєм під час увімкнення інструмента**

- Деякі види пилу класифікуються як канцерогенні (наприклад, дубовий або буковий пил), особливо в сполученні з добавками для кондиціонування деревини; **надягайте респіратор і працюйте з пиловидалючим пристроєм під час увімкнення інструмента**
- Слідуйте інструкціям по роботі з матеріалами, продуцуючими пил
- **Не обробляйте матеріали, що містять асбест** (асбест вважається канцерогенним)
- Преконайтеся що бігунець вимикач К ② в середньому положенні (блокування) перед будь-якими налагодками чи замінами приладдя, тоді коли ви тримаєте або поклали інструмент

АНЕСЕСУАРИ

- SKIL гарантує надійну роботу інструмента тільки при використанні відповідного приладдя
- Використовуйте лише приладдя, припустима швидкість обертання якого як мінімум відповідає найвищій швидкості інструмента без навантаження

ПЕРЕД ВИКОРИСТАННЯМ

- Не допускайте пошкодження, які можуть нанести шурупи, цвяхи і інші елементи вашому виробу; видаліть їх перед початком роботи
- Обов'язково переконайтеся, що напруга струму відповідає напрузі, вказаній на фірмовому штемпелі інструмента
- **Зафіксуйте оброблювану деталь** (оброблювана деталь, зафіксована за допомогою затискних пристроїв або лещат, закріплюється краще, ніж вручну)
- **Використовуйте придатні пошукові прилади для знаходження захованих в будівлі труб та кабелів або зверніться за допомогою в місцеве підприємство електро-, газо- та водопостачання** (зачеплення електропроводки може призводити до пожежі та удару електричним струмом; зачеплення газової труби може призводити до вибуху; зачеплення водопровідної труби може завдати шкоду матеріальним цінностям або призводити до удару електричним струмом)

ПІД ЧАС ВИКОРИСТАННЯ

- У випадку електричної чи механічної несправності негайно вимкніть інструмент або відключіть зарядний пристрій від електриці

АКУМУЛЯТОР

- **Акумулятор, який постачається в комплекті, є частково зарядженим** (повністю зарядіть акумулятор в зарядному пристрої перед першим використанням свого електроінструменту, щоб забезпечити повну потужність акумулятора)
- **Використовуйте з інструментом тільки такі акумулятори і зарядні пристрої**
 - Акумулятор SKIL: BR1*31****
 - Зарядний пристрій SKIL: CR1*31****
- Не використовуйте пошкоджений акумулятор; його треба замінити
- Не розбирайте акумулятор
- Виключіть можливість потрапляння дощу на інструмент або акумулятор
- Дозволена температура довкілля (інструмент/зарядний пристрій/акумулятор):
 - під час зарядження 4...40°C

- під час роботи -20...+50°C
- під час зберігання -20...+50°C

ПОЯСНЕННЯ ДО УМОВНИХ ПОЗНАЧЕНЬ НА ІНСТРУМЕНТІ/АКУМУЛЯТОРІ

- ③ Перед використанням прочитайте інструкцію із застосування
- ④ При влученні у вогонь батареї вибухають, тому в жодному разі не спалюйте батареї
- ⑤ Зберігайте інструмент/зарядний пристрій/акумулятор при температурі не більшій 50°C
- ⑥ Не викидайте електроінструмент та батареї разом зі звичайним сміттям

ВИКОРИСТАННЯ

- Комбінований перемикач для вмикання/вимикання та керування обертами А ②
 - плавно керує обертами від нуля до максимальних в залежності від сили натискання на перемикач
- Заряджання акумулятора
 - ! **ознайомтеся з попередженнями і вказівками з техніки безпеки, які надаються з зарядним пристроєм**
 - Видалення/встановлення батареї ②
 - Закріплення кліпси на ремінь ⑦
 - закріпіть кліпсу на ремінь L дрилі за допомогою гвинта, який надається в наборі.
 - Індикатор рівня заряду батареї ⑧
 - натисніть кнопку індикатора рівня заряду акумулятора N, щоб дізнатися поточний рівень заряду ⑧a
 - ! **якщо після натискання кнопки N ⑧b починає блимати індикатор найнижчого рівня заряду батареї, то батарея розряджена**
 - ! **якщо 2 увесь індикатор рівня заряду батареї після натискання кнопки N ⑧c починає блимати, батарея не знаходиться в допустимому діапазоні робочих температур**
 - Світлодіодний індикатор M ⑩
 - Світлодіодний індикатор M загоряється автоматично при включенні перемикача А
 - ! **коли світлодіод починає блимати, антиується захист акумулятора (див. нижче)**
 - Захист акумулятора
 - Інструмент раптово вимикається або не вмикається, якщо
 - **навантаження занадто високе** -- > приборіть навантаження і перезапустіть
 - **температура батареї не знаходиться в допустимому діапазоні робочих температур від -20 до +50°C** -- > 2 усі індикатори рівня батареї починають блимати при натисканні кнопки N ⑧c; зачекайте, поки батарея не повернеться в допустимий діапазон робочих температур
 - **батарею майже розряджено (для захисту від глибокого розряду)** --> низький рівень заряду батареї або блимання низького рівня заряду батареї ⑧b показано індикатором рівня заряду батареї при натисканні кнопки N; зарядіть батарею
 - ! **не продовжуйте роботу та не натискайте вмикач після автоматичного вимкнення інструмента; таними діями можна пошкодити батарею**

- Зміна напрямку обертання ⑨
 - при неповній установці положення лів/прав пусковий вимикач А ② не працює
 - ! **мініайте напрям обертання тільки при повній зупинці інструмента**
 - Заміна насадок ⑩
 - ! **не використовуйте насадки з пошкодженим стовбуром**
 - Регулювання моменту обертання (VariTorque) ⑪
 - вихідний момент обертання буде зростати, якщо крутити кулачок В від 1 до 17
 - коли вгвинчуєте саморіз спочатку спробуйте першу позицію VariTorque 1, потім починайте нарощувати, поки потрібна глибина вкручування не буде досягнута
 - в положенні F муфта буде заблокована, що дозволить виконувати (безударне) свердління та туге загвинчування
 - в положенні D муфта буде заблокована, що дозволить виконувати тільки ударне свердління
 - ! **переконайтесь, що перемикач швидкості В переведений в положення 2, коли кільце муфти С знаходиться в положенні для ударного свердління**
 - ! **не використовуйте положення ударного свердління D для свердління по дереву, металу, кераміці та пластику, щоб попередити пошкодження свердла/гвинта**
 - Механічне перемикання швидкості ⑫
 - увімкніть перемикачем G необхідну для вас швидкість
 - ! **перемикайте перемикач швидкості під час повільного обертання**
- 1
- низька швидкість
 - високий крутний момент
 - для загвинчування та свердління великих діаметрів
 - для нанесення різьби
- 2
- висока швидкість
 - малий крутний момент
 - для ударного свердління
 - для свердління малих діаметрів
- Утримування і робота інструментом ⑭
 - ! **під час роботи, завжди тримайте інструмент за частини захвату сірого кольору**
 - тримайте вентиляційні отвори J ② незакритими
 - не тисніть на інструмент; дайте інструменту можливість працювати за вас

ДОГЛЯД/ОБСЛУГОВУВАННЯ

- Цей інструмент не придатний для промислового використання
- Завжди тримайте інструмент в чистоті (особливо вентиляційні отвори Н ②)
 - ! **виймайте акумулятор з інструмента перед очищенням**
- Якщо незважаючи на ретельну технологію виготовлення і перевірки інструмент все-таки вийде з ладу, його ремонт дозволяється виконувати лише в авторизованій сервісній майстерні для електроприладів SKIL
 - надішліть **нерозібраний** інструмент разом

з доказом купівлі до Вашого дилера або до найближчого центру обслуговування SKIL (адреси, а також діаграма обслуговування пристрою, подаються на сайті www.skil.com)

- Візьміть до відома, що ушкодження внаслідок перевантаження або неналежного поводження з інструментом не будуть включені в гарантію (умови гарантії SKIL див. на сайті www.skil.com або довідайтеся в дилера у Вашому регіоні)

ПОРАДИ ПО ВИКОРИСТАННЮ

- Використовуйте відповідні насадки ⑬
 - ! **не використовуйте тупі насадки**
- Свердління чорних металів
 - попередньо просвердліть отвір меншого діаметру, якщо необхідний отвір великого розміру
 - час від часу змащуйте свердла маслом
- При вгвинчуванні шурупів у поперечний зріз дерева або біля нього або в кромку дерева необхідно спочатку просвердлити отвір, щоб запобігти розколу деревини
- Для оптимального вгвинчування необхідно створювати постійний тиск на інструмент, коли вгвинчуєте тиснути треба сильніше
- Коли працюєте з особливо твердими породами дерев необхідно зробити попереднє просвердлювання
- Свердління деревини без виривання скалок ⑬
- Свердління в стінах без пилу ⑰
- Свердління в стелях без пилу ⑱
- Свердління кафельних плиток без прослизькування ⑲
- Дивіться додаткову інформацію на сайті www.skil.com

ОХОРОНА НАВКОЛИШНЬОЇ СЕРЕДИ

- **Не викидайте електроінструмент, батареї, принадлежності та упакування разом зі звичайним сміттям** (тільки для країн ЄС)
 - відповідно до європейської директиви 2012/19/ЄС щодо утилізації старих електричних та електронних приладів, в залежності з місцевим законодавством, електроінструмент, який перебував в експлуатації повинен бути утилізований окремо, безпечним для навколишнього середовища шляхом
 - малюнок ⑥ нагадає вам про це
 - ! **перед тим, як позбутись акумулятора: заклейте грубою клейкою стрічкою клему, щоб запобігти короткому замиканню**

ШУМ / ВІБРАЦІЯ

- За вимірами відповідно до EN 62841 рівень звукового тиску цього інструменту становлює 83,0 дБ(A) та рівень потужності звуку дорівнює 94,0 дБ(A) (коефіцієнт недостовірності K = 5 дБ), а вібрація * (трисекційна векторна сума; коефіцієнт недостовірності K = 1,5 м/с²)
 - * свердління в металі <2,5 м/с²
 - * при ударному свердленні в бетоні 7,9 м/с²
- Рівень вібрації було виміряно у відповідності зі стандартизованим випробуванням, що міститься в EN 62841; дана характеристика може використовуватися для порівняння одного інструмента з іншим, а також для попередньої

οικίνης впливу вібрації під час застосування даного інструмента для вказаних цілей

- при використанні інструмента в інших цілях або з іншими/несправними допоміжними пристосуваннями рівень впливу вібрації може значно **підвищуватися**
 - у періоди, коли інструмент вимикнений або функціонує без фактичного виконання роботи, рівень впливу вібрації може значно **знижуватися**
- ! захищайте себе від впливу вібрації, підтримуючи інструмент і його допоміжні пристосування в справному стані, підтримуючи руки в теплі, а також правильно організовуючи свій робочий процес**

GR

Επαναφορτιζόμενο κρούστικο δράνανο/ κατσάβιδο

3018/3020

ΕΙΣΑΓΩΓΗ

- Το εργαλείο προορίζεται για τρίτημα με κρούση σε τοιχοποιία καθώς και για τρίτημα σε ξύλο, σε μέταλλα και σε κεραμικά και πλαστικά υλικά - αμφίστροφα (δεξιο-αριστερόστροφα) εργαλεία με ηλεκτρονική ρύθμιση ταχύτητας είναι επίσης κατάλληλα για βιδώμα και για άνοιγμα σπειρωμάτων
- Αυτό το εργαλείο δεν προορίζεται για επαγγελματική χρήση
- Διαβάστε και φυλάξτε αυτές τις οδηγίες χρήσεως ③

ΤΕΧΝΙΚΑ ΧΑΡΑΚΤΗΡΙΣΤΙΚΑ ①

Μέγιστη ροπή στρέψης σκληρή περίπτωση βιδώματος σύμφωνα με ISO 5393 : 55Nm

ΜΕΡΗ ΤΟΥ ΕΡΓΑΛΕΙΟΥ ②

- A** Διακόπτης εκκίνησης/στάσης και ελέγχου ταχύτητας
- B** Δακτυλίδι ελέγχου της ροπής στρέψης
- C** Διακόπτης αλλαγής λειτουργίας
- D** Θέση κρουστικής διάτρησης
- E** Θέση διάτρησης
- F** Θέση βιδώματος
- G** Διακόπτης επιλογής ταχυτήτων
- H** Ένδειξη επιλεγμένης κατεύθυνσης περιστροφής
- J** Σχημαές αερισμού
- K** Διακόπτης αλλαγής της κατεύθυνσης περιστροφής
- L** Κλιπ ζώνης
- M** Λαμπάκι LED
- N** Ένδειξη κατάστασης μπαταρίας

ΑΣΦΑΛΕΙΑ

ΓΕΝΙΚΕΣ ΥΠΟΔΕΙΞΕΙΣ ΑΣΦΑΛΕΙΑΣ ΓΙΑ ΗΛΕΚΤΡΙΚΑ ΕΡΓΑΛΕΙΑ

ΠΡΟΕΙΔΟΠΟΙΗΣΗ Διαβάστε όλες τις προειδοποιήσεις ασφαλείας καθώς και τις οδηγίες, εικόνες και προδιαγραφές που παρέχονται με αυτό το ηλεκτρικό εργαλείο. Αμέλεια τήρησης όλων των οδηγιών που παρατίθενται παρακάτω μπορεί να προκαλέσει ηλεκτροπληξία, πυρκαγιά ή/και σοβαρό τραυματισμό.

Φυλάξτε όλες τις υποδείξεις ασφαλείας και τις οδηγίες για το μέλλον.

Ο ορισμός "ηλεκτρικό εργαλείο" που χρησιμοποιείται στις προειδοποιητικές υποδείξεις αναφέρεται σε ηλεκτρικά εργαλεία που τροφοδοτούνται από το ηλεκτρικό δίκτυο (με ηλεκτρικό καλώδιο) καθώς και σε ηλεκτρικά εργαλεία που τροφοδοτούνται από μπαταρία (χωρίς ηλεκτρικό καλώδιο).

1) ΑΣΦΑΛΕΙΑ ΣΤΟ ΧΩΡΟ ΕΡΓΑΣΙΑΣ

- α) Διατηρείτε το χώρο που εργάζεσθε καθαρό και καλά φωτισμένο.** Αταξία στο χώρο που εργάζεσθε ή μη φωτισμένες περιοχές εργασίας μπορεί να οδηγήσουν σε ατυχήματα.
- β) Μην εργάζεσθε με το ηλεκτρικό εργαλείο σε περιβάλλον που υπάρχει κίνδυνος έκρηξης, στο οποίο υπάρχουν εύφλεκτα υγρά, αέρια ή σκόνη.** Τα ηλεκτρικά εργαλεία μπορεί να δημιουργήσουν σπινθηρισμό ο οποίος μπορεί να αναφλέξει τη σκόνη ή τις αναθυμιάσεις.
- γ) Όταν χρησιμοποιείτε το ηλεκτρικό εργαλείο κρατάτε τα παιδιά κι άλλα τυχόν πρόσωπα μακριά από το χώρο που εργάζεσθε.** Σε περίπτωση που άλλα άτομα αποσπάσουν την προσοχή σας μπορεί να χάσετε τον έλεγχο του μηχανήματος.

2) ΗΛΕΚΤΡΙΚΗ ΑΣΦΑΛΕΙΑ

- α) Το φως του καλωδίου του ηλεκτρικού εργαλείου πρέπει να ταιριάζει στην αντίστοιχη πρίζα. Δεν επιτρέπεται με κανένα τρόπο η μετασκευή του φως. Μην χρησιμοποιείτε προσαρμοστικά φως σε συνδυασμό με ηλεκτρικά εργαλεία συνδεδεμένα με τη γη (γειωμένα).** Αθικτα φως και κατάλληλες πρίζες μειώνουν τον κίνδυνο ηλεκτροπληξίας.
 - β) Αποφεύγετε την επαφή του σώματος σας με γειωμένες επιφάνειες όπως σωλήνες, θερμοαντικά σώματα (καλοριφέρ), κουζίνες και ψυγεία.** Όταν το σώμα σας είναι γειωμένο αυξάνεται ο κίνδυνος ηλεκτροπληξίας.
 - γ) Μην εκθέτετε το ηλεκτρικό εργαλείο στη βροχή ή την υγρασία.** Η διείσδυση νερού στο ηλεκτρικό εργαλείο αυξάνει τον κίνδυνο ηλεκτροπληξίας.
 - δ) Μην χρησιμοποιείτε το καλώδιο για να μεταφέρετε ή ν' αναρτήσετε το ηλεκτρικό εργαλείο ή για να βγάλετε το φως από την πρίζα. Κρατάτε το καλώδιο μακριά από υψηλές θερμοκρασίες, λάδια, κοφτερές ακμές ή κινούμενα εξαρτήματα.** Τυχόν χαλασμένα ή μπερδεμένα καλώδια αυξάνουν τον κίνδυνο ηλεκτροπληξίας.
 - ε) Όταν εργάζεσθε με το ηλεκτρικό εργαλείο στο ύπαιθρο χρησιμοποιείτε πάντοτε καλώδια επιμήκυνσης (μπαλαντάζες) που έχουν εγκριθεί για χρήση σε εξωτερικούς χώρους.** Η χρήση καλωδίων επιμήκυνσης εγκριμένων για εργασία σε εξωτερικούς χώρους μειώνει τον κίνδυνο ηλεκτροπληξίας.
 - φ) Όταν η χρήση του ηλεκτρικού εργαλείου σε υγρό περιβάλλον είναι αναπόφευκτη, τότε χρησιμοποιήστε έναν προστατευτικό διακόπτη διαρροής.** Η χρήση ενός προστατευτικού διακόπτη διαρροής ελαττώνει τον κίνδυνο ηλεκτροπληξίας.
- #### 3) ΑΣΦΑΛΕΙΑ ΠΡΟΣΩΠΩΝ
- α) Να είστε πάντοτε προσεκτικός/προσεκτική, να δίνετε προσοχή στην εργασία που κάνετε και να**

- χειρίζεστε το ηλεκτρικό εργαλείο με περίσκεψη. Μην κάνετε χρήση του ηλεκτρικού εργαλείου όταν είσθε κουρασμένος/κουρασμένη ή όταν βρίσκεσθε υπό την επιρροή ναρκωτικών, οιονοπέυματος ή φαρμάκων.** Μια στιγμήα απροσεξία κατά το χειρισμό του ηλεκτρικού εργαλείου μπορεί να οδηγήσει σε σοβαρούς τραυματισμούς.
- b) **Φοράτε προστατευτικά ενδύματα και πάντοτε προστατευτικά γυαλιά.** Όταν φοράτε ενδύματα ασφαλείας, ανάλογα με το υπό χρήση ηλεκτρικό εργαλείο, όπως προσωπίδα προστασίας από σκόνη, αντιολισθητικά παπούτσια ασφαλείας, κράνη ή ωτασπίδες, μειώνεται ο κίνδυνος τραυματισμών.
- c) **Αποφεύγετε την αθέλητη εκκίνηση. Βεβαιωθείτε ότι το ηλεκτρικό εργαλείο έχει αποεζυχειτεί πριν το συνδέσετε με το ηλεκτρικό δίκτυο ή/και με την μπαταρία καθώς και πριν το παραλάβετε ή το μεταφέρετε.** Όταν μεταφέρετε το ηλεκτρικό εργαλείο έχοντας το δάχτυλό σας στο διακόπτη ή όταν συνδέετε το μηχάνημα με την πηγή ρεύματος όταν αυτό είναι ακόμη συζευγμένο, τότε δημιουργείται κίνδυνος τραυματισμών.
- d) **Αφαιρείτε από τα ηλεκτρικά εργαλεία πριν τα θέσετε σε λειτουργία τυχόν συναρμολογημένα χρησιμοποιήματα εργαλεία ή κλειδιά.** Ενα εργαλείο ή κλειδί συναρμολογημένο στο περιστρεφόμενο εξάρτημα ενός ηλεκτρικού εργαλείου μπορεί να οδηγήσει σε τραυματισμούς.
- e) **Μην υπερκτιμάτε τον εαυτό σας. Φροντίζετε για την ασφαλή στήριξη του σώματος σας και διατηρείτε πάντοτε την ισορροπία σας.** Αυτό σας επιτρέπει τον καλύτερο έλεγχο το ηλεκτρικού εργαλείου σε περιπτώσεις απροσδόκτων καταστάσεων.
- f) **Φοράτε κατάλληλη ενδυμασία εργασίας. Μη φοράτε φαρδιά ρούχα ή κοσμήματα. Κρατάτε τα μαλλιά και τα ρούχα σας μακριά από κινούμενα εξαρτήματα.** Χαλαρή ενδυμασία, κοσμήματα και μακριά μαλλιά μπορεί να εμπλακούν στα κινούμενα εξαρτήματα.
- g) **Αν υπάρχει η δυνατότητα συναρμολόγησης διατάξεων αναρρόφησης ή συλλογής σκόνης, βεβαιωθείτε αν οι διατάξεις αυτές είναι συνδεδεμένες καθώς και αν χρησιμοποιούνται σωστά.** Η χρήση μιας αναρρόφησης σκόνης μπορεί να ελαττώσει τον κίνδυνο που προκαλείται από τη σκόνη.
- h) **Μην εφησυχάζετε σε μια λάθος ασφάλεια και μην αφηφάτε τους κανόνες ασφαλείας για τα ηλεκτρικά εργαλεία, ακόμα και όταν μετά από συχνή χρήση είστε εξοικειωμένοι με το εργαλείο.** Ένας απρόσεκτος χειρισμός μπορεί μέσα σε κλάσματα του δευτερολέπτου να οδηγήσει σε σοβαρούς τραυματισμούς.
- 4) **ΧΡΗΣΗ ΚΙ ΕΠΙΜΕΛΗΣ ΧΕΙΡΙΣΜΟΣ ΤΩΝ ΗΛΕΚΤΡΙΚΩΝ ΕΡΓΑΛΕΙΩΝ**
- a) **Μην υπερφορτώνετε το ηλεκτρικό εργαλείο.** Χρησιμοποιείτε για την εκάστοτε εργασία σας το ηλεκτρικό εργαλείο που προορίζεται γι' αυτήν. Με το κατάλληλο ηλεκτρικό εργαλείο εργάζεσθε καλύτερα και ασφαλέστερα στην αναφερόμενη περιοχή ισχύος.
- b) **Μη χρησιμοποιήσετε ποτέ ένα ηλεκτρικό εργαλείο του οποίου ο διακόπτης ON/OFF είναι χαλασμένος.** Ενα ηλεκτρικό εργαλείο το οποίο δεν μπορεί να θεθεί πλόν σε ή εκτός λειτουργίας είναι επικίνδυνο και πρέπει να επισκευαστεί.
- c) **Τραβήξετε το φος από την πρίζα και/ή απομακρύνετε μια αποσπώμενη μπαταρία, προτού εκτελέσετε ρυθμίσεις στο ηλεκτρικό εργαλείο, προτού αλλάξετε εξαρτήματα ή φυλάξετε το ηλεκτρικό εργαλείο.** Αυτά τα προληπτικά μέτρα ασφαλείας μειώνουν τον κίνδυνο από τυχόν αθέλητη εκκίνηση του ηλεκτρικού εργαλείου.
- d) **Διαφυλάγετε τα ηλεκτρικά εργαλεία που δε χρησιμοποιείτε μακριά από παιδιά. Μην αφήνετε άτομα που δεν είναι εξοικειωμένα με το ηλεκτρικό εργαλείο ή δεν έχουν διαβάσει αυτές τις οδηγίες χρήσης να το χρησιμοποιήσουν.** Τα ηλεκτρικά εργαλεία είναι επικίνδυνα όταν χρησιμοποιούνται από άπειρα πρόσωπα.
- e) **Φροντίζετε τα ηλεκτρικά εργαλεία και τα εξάρτημα με επιμέλεια. Ελέγχετε, αν τα κινούμενα εξαρτήματα λειτουργούν άψογα, χωρίς να μπλοκάρουν, ή μήπως έχουν σπάσει ή φθαρεί τυχόν εξαρτήματα τα οποία επηρεάζουν τον τρόπο λειτουργίας του ηλεκτρικού εργαλείου. Δώστε αυτά τα χαλασμένα εξαρτήματα για επισκευή πριν τα ξαναχρησιμοποιήσετε.** Η κακή συντήρηση των ηλεκτρικών εργαλείων αποτελεί αιτία πολλών ατυχημάτων.
- f) **Διατηρείτε τα κοπτικά εργαλεία κοφτερά και καθαρά.** Τα κοπτικά εργαλεία που συντηρούνται με προσοχή μπορούν να οδηγηθούν εύκολα και να ελεγχθούν καλύτερα.
- g) **Χρησιμοποιείτε τα ηλεκτρικά εργαλεία, τα εξαρτήματα, τα χρησιμοποιήματα εργαλεία κτλ. σύμφωνα με τις παρούσες οδηγίες καθώς. Λαμβάνετε ταυτόχρονα υπόψη σας τις συνθήκες εργασίας και την υπό εκτέλεση εργασία.** Η χρήση του ηλεκτρικού εργαλείου για άλλες εκτός από τις προβλεπόμενες εργασίες μπορεί να δημιουργήσει επικίνδυνες καταστάσεις.
- h) **Διατηρείτε τις λαβές και επιφάνειες λαβής στεγνές, καθαρές και ελεύθερες από λάδι και γράσο.** Οι ολισθηρές λαβές και επιφάνειες λαβής δεν επιτρέπουν κανέναν ασφαλή χειρισμό και έλεγχο του ηλεκτρικού εργαλείου σε τυχόν απρόβλεπτες καταστάσεις.
- 5) **ΧΡΗΣΗ ΚΙ ΕΠΙΜΕΛΗΣ ΧΕΙΡΙΣΜΟΣ ΕΡΓΑΛΕΙΩΝ ΜΠΑΤΑΡΙΑΣ**
- a) **Φορτίζετε μόνο με φορτιστές που προβλπει ο κατασκευαστής.** Η φόρτιση με φορτιστές που δεν προορίζονται για τον υπό φόρτιση τύπο του μπλοκ μπαταρίας δημιουργεί κίνδυνο πυρκαγιάς.
- b) **Χρησιμοποιείτε τα ηλεκτρικά εργαλεία πάντοτε με τα προβλεπόμενα για αυτά μπλοκ μπαταρίας.** Η χρήση διαφορετικών μπλοκ μπαταρίας μπορεί να οδηγήσει σε τραυματισμούς ή πυρκαγιά.
- c) **Διαφυλάγετε τις μπαταρίες που δε χρησιμοποιείτε μακριά από μεταλλικά αντικείμενα, π.χ. από συνδετήρες χαρτιών, νομίσματα, κλειδιά, καρφιά, βίδες ή άλλα παρόμοια μικροαντικείμενα, τα οποία θα μπορούσαν να επιγεφυρύνουν τις διάφορες μεμονωμένες επαφές.** Μια επιγεφυρνώση από μεταλλικά αντικείμενα μπορεί να προκαλέσει βραχυκύκλωμα, σπινθηρισμό ή πυρκαγιά.
- d) **Υπό δυσμενείς συνθήκες λειτουργίας μπορεί να**

διαρρεύσουν υγρά από την μπαταρία. Αποφεύγετε κάθε επαφή με μια μη στεγανή μπαταρία.

Σε περίπτωση ακούσιας επαφής με τα υγρά, ξεπλύντε άμεσα με νερό την αντίστοιχη θψη επαφής. Εκτός από αυτό, αν τα υγρά διεισδύσουν στα μάτια σας, επισκεφτείτε χωρίς καθυστέρηση πνα γιατρό. Τα διαρρποντα υγρά των μπαταριών μπορεί να προκαλπισουν ερεθισμούς ή και εγκαύματα.

- e) **Μη χρησιμοποιείτε καμία χαλασμένη ή τροποποιημένη μπαταρία ή ηλεκτρικό εργαλείο.** Οι χαλασμένες ή τροποποιημένες μπαταρίες μπορεί να παρουσιάσουν μια απρόβλεπτη συμπεριφορά και να οδηγήσουν σε φωτιά, έκρηξη ή σε κίνδυνο τραυματισμού.
- f) **Μην εκθέτετε μια μπαταρία ή ένα ηλεκτρικό εργαλείο σε φωτιά ή σε πολύ υψηλές θερμοκρασίες.** Η φωτιά ή ο θερμοκρασίες πάνω από 130°C μπορεί να προκαλέσουν μια έκρηξη.
- g) **Τηρείτε όλες τις υποδείξεις για τη φόρτιση και μη φορτίστε την μπαταρία ή το εργαλείο μπαταρίας ποτέ εκτός της περιοχής θερμοκρασίας που αναφέρεται στις οδηγίες λειτουργίας.** Η λάθος φόρτιση ή η φόρτιση εκτός της επιτρεπτής περιοχής θερμοκρασίας μπορεί να καταστρέψει την μπαταρία και να αυξήσει τον κίνδυνο πυρκαγιάς.
- 6) **ΣΕΡΒΙΣ**
- a) **Δίνετε το ηλεκτρικό σας εργαλείο για επισκευή από άριστα ειδικευμένο προσωπικό, μόνο με γνήσια ανταλλακτικά.** Ετσι εξασφαλίζεται η διατήρηση της ασφάλειας του ηλεκτρικού εργαλείου.
- b) **Μη συντηρείτε ποτέ χαλασμένες μπαταρίες.** Κάθε συντήρηση των μπαταριών πρέπει να πραγματοποιείται μόνο από τον κατασκευαστή ή από εξουσιοδοτημένα συνεργεία σέρβις πελατών.

ΥΠΟΔΕΙΞΕΙΣ ΑΣΦΑΛΕΙΑΣ ΓΙΑ ΕΠΑΝΑΦΟΡΤΙΖΟΜΕΝΟ ΔΡΑΠΑΝΟΚΑΤΣΑΒΙΔΟ

- 1) **ΟΔΗΓΙΕΣ ΑΣΦΑΛΕΙΑΣ ΓΙΑ ΟΛΕΣ ΤΙΣ ΤΙΣ ΕΡΓΑΣΙΕΣ**
- a) **Προστατέψτε την ακοή σας φορώντας ωτοασπίδες με την χρήση κρουστικών δραπάνων.** Ο δυνατός θόρυβος μπορεί να προκαλέσει πρόβλημα στην ακοή.
- b) **Να κρατάτε το ηλεκτρικό εργαλείο από τις μονωμένες επιφάνειες συγκράτησης, όταν υπάρχει κίνδυνος το εργαλείο να έρθει σε επαφή με μη ορατούς ηλεκτροφόρους αγωγούς.** Η επαφή του κοπτικού και των σφικτήρων με ηλεκτροφόρο αγωγό μπορεί να θέσει τα μεταλλικά μέρη του ηλεκτρικού εργαλείου επίσης υπό τάση και προκαλέσει έτσι ηλεκτροπληξία του χειριστή.
- 2) **ΟΔΗΓΙΕΣ ΑΣΦΑΛΕΙΑΣ ΚΑΤΑ ΤΗ ΧΡΗΣΗ ΤΡΥΠΑΝΙΟΥ ΜΕΓΑΛΟΥ ΜΗΚΟΥΣ**
- a) **Ποτέ μην χειρίζεστε το εργαλείο σε υψηλότερες στροφές από τις μέγιστες ονομαστικές στροφές του τρυπανιού.** Σε υψηλότερες στροφές, το τρυπάνι υπάρχει πιθανότητα να λυγίσει εάν αφεθεί να περιστρέφεται ελεύθερα χωρίς επαφή με το τεμάχιο εργασίας, με συνέπεια ατομικό τραυματισμό.
- b) **Πάντα τα αρχίζετε τη διάτρηση σε χαμηλές στροφές και με τη μύτη του τρυπανιού σε επαφή με το τεμάχιο εργασίας.** Σε υψηλότερες στροφές, το τρυπάνι υπάρχει πιθανότητα να λυγίσει εάν αφεθεί να

περιστρέφεται ελεύθερα χωρίς επαφή με το τεμάχιο εργασίας, με συνέπεια ατομικό τραυματισμό.

- c) **Να ασκείτε πίεση μόνο στην ίδια ευθεία με το τρυπάνι και να μην ασκείτε υπερβολική πίεση.** Το τρυπάνι μπορεί να λυγίσει και να προκαλέσει θραύση ή απώλεια του ελέγχου, με συνέπεια ατομικό τραυματισμό.

ΓΕΝΙΚΑ

- Η σκόνη από υλικά όπως μιογιές που περιέχουν μόλυβδο, ορισμένα είδη ξύλου, ανόργανα στοιχεία και μέταλλα μπορεί να είναι επιβλαβής (η επαφή ή η εισπνοή της σκόνης μπορεί να προκαλέσει αλλεργικές αντιδράσεις ή/και αναπνευστικές ασθένειες στον χειριστή ή σε άτομα που παρίστανται) - **να φοράτε προσωπίδα προστασίας από τη σκόνη και να εργάζεστε με συσκευή αφαίρεσης σκόνης όταν είναι δυνατό**
- Ορισμένα είδη σκόνης ταξινομούνται ως καρκινογόνα (όπως η σκόνη από τη δρυ ή την ηξιά) ιδιαίτερα σε συνδυασμό με πρόσθετα συντήρησης ξύλου - **να φοράτε προσωπίδα προστασίας από τη σκόνη και να εργάζεστε με συσκευή αφαίρεσης σκόνης όταν είναι δυνατό**
- Ακολουθήστε τις σχετικές με σκόνη εθνικές διατάξεις για τα υλικά που θέλετε να εργασείτε
- **Μην κατεργάζεστε υλικά που περιέχουν αμιάντο** (το αμιάντο θεωρείται σαν καρκινογόνο υλικό)
- Βεβαιωθείτε ότι ο διακόπτης Κ ② βρίσκεται στη μεσαία θέση (κλειδίωμα), πριν διεξάγετε κάποια εργασία ρύθμισης στο εργαλείο ή αλλάξετε εξάρτημα όπως και όταν μεταφέρετε ή αποθηκεύσετε το εργαλείο

ΕΞΑΡΤΗΜΑΤΑ

- Η SKIL εγγυάται την τέλεια λειτουργία του εργαλείου μόνο όταν χρησιμοποιούνται αυθεντικά εξαρτήματα
- Χρησιμοποιείτε μόνο εξαρτήματα των οποίων ο ύψιστος επιτρεπτός αριθμός στροφών είναι τουλάχιστον τόσο υψηλός, όσο ο ύψιστος αριθμός στροφών χωρίς φορτίο του εργαλείου

ΠΡΙΝ ΑΠΟ ΤΗ ΧΡΗΣΗ

- Προφυλάξτε το εργαλείο από τυχόν φθορές από ξένα σώματα (βίδες, καρφιά ή άλλα) που ίσως είναι μέσα στο κομμάτι που θα δουλέψετε - αφαιρέστε τα πριν αρχίσετε την εργασία
- Βεβαιωθείτε ότι η τάση του παρεχόμενου ρεύματος είναι ίδια με την τάση που υποδεικνύεται στην πινακίδα δεδομένων του φορτιστή
- **Στερεώστε το κομμάτι εργασίας** (το κομμάτι εργασίας συγκρατείται καλύτερα με σφικτικές ή σε μέγεννη παρά με το χέρι)
- **Χρησιμοποιήστε κατάλληλες ανιχνευτικές συσκευές για να εντοπίσετε τυχόν αφανείς τροφοδοτικές γραμμές ή συμβουλευτείτε σχετικά τις επιχειρήσεις παροχής ενέργειας** (επαφή με ηλεκτρικές γραμμές μπορεί να οδηγήσει σε πυρκαϊά ή σε ηλεκτροπληξία - βλάβες σε αγωγούς φωταερίου (γκαζίου) μπορεί να οδηγήσουν σε έκρηξη - η διείσδυση σ' ένα σωλήνα νερού προκαλεί υλικές ζημιές ή μπορεί να προκαλέσει ηλεκτροπληξία)

ΚΑΤΑ ΤΗ ΧΡΗΣΗ

- Σε περίπτωση ηλεκτρικής ή μηχανικής κακής λειτουργίας, σταματήστε αμέσως το εργαλείο ή αποσυνδέστε το φορτιστή από το δίκτυο ρεύματος

ΜΠΑΤΑΡΙΕΣ

- **Η παρεχόμενη μπαταρία είναι μερικώς φορτισμένη** (για να εξασφαλιστεί ότι η μπαταρία

αποκτή τη μέγιστη χαμηλότερη, να φορτίζετε τελείως τη μπαταρία με τον φορτιστή της πριν από τη χρήση του ηλεκτρικού εργαλείου σας για πρώτη φορά)

• **Να χρησιμοποιείτε μόνο τις μπαταρίες και τους φορτιστές που παραδίδονται με το εργαλείο**

- Μπαταρία SKIL: BR1*31****
- Φορτιστής SKIL: CR1*31****

- Μην χρησιμοποιείτε την μπαταρία όταν έχει βλάβη; πρέπει να την αντικαταστήσετε
- Μην συναρμολογείτε τη μπαταρία
- Μην εκθέσετε το εργαλείο/την μπαταρία στη βροχή
- Επιτρεπτή θερμοκρασία περιβάλλοντος (εργαλείο/φορτιστή/μπαταρία):
 - κατά τη φόρτιση 4...40°C
 - κατά τη λειτουργία -20...+50°C
 - κατά την αποθήκευση -20...+50°C

ΕΠΕΞΗΓΗΣΗ ΤΩΝ ΣΥΜΒΟΛΩΝ ΣΤΟ ΕΡΓΑΛΕΙΟ/ΜΠΑΤΑΡΙΑ

- ③ Διαβάστε το εγχειρίδιο οδηγιών πριν από τη χρήση
- ④ Οι μπαταρίες θα εκραγούν εάν γίνει απόρριψή τους σε φωτιά, γι' αυτό μην καίτε τις μπαταρίες για οποιοδήποτε λόγο
- ⑤ Να αποθηκεύετε το εργαλείο/τον φορτιστή/την μπαταρία σε μέρη όπου η θερμοκρασία δεν θα ξεπεράσει τους 50°C
- ⑥ Μην πετάτε τα ηλεκτρικά εργαλεία και μπαταρίες στον κάδο οικιακών απορριμμάτων

ΧΡΗΣΗ

- Συνδισσόμενος διακόπτης για ξεκίνηση/ σταμάτημα και έλεγχο ταχύτητας A ②
 - ρυθμίστε την ταχύτητα από τον μηδέν στο μέγιστο, πιέζοντας περισσότερο ή λιγότερο τη σκανδάλη
- Φόρτιση της μπαταρίας

! διαβάστε τις προειδοποιήσεις ασφαλείας και τις οδηγίες που παρέχονται με το φορτιστή

- Αφαίρεση/εγκατάσταση της μπαταρίας ②
- Προσάρτηση του κλιπ ζώνης ⑦
 - προσαρτήστε το κλιπ ζώνης L στο δράπανο με την παρεχόμενη βίδα.
- Ένδειξη κατάστασης μπαταρίας ⑧
 - πιέστε το κουμπί του ενδεικτικού κατάστασης μπαταρίας N για να εμφανίσετε την τρέχουσα κατάσταση της μπαταρίας ⑧a

! όταν το ενδεικτικό κατώτατης στάθμης της μπαταρίας αρχίσει να αναβοσβήνει μετά από το πάτημα του πλήκτρου N ⑧b, η μπαταρία έχει αδειάσει

! όταν τα επίπεδα 2 του ενδεικτικού της μπαταρίας αρχίσουν να αναβοσβήνουν μετά από το πάτημα του πλήκτρου N ⑧c, η μπαταρία δεν είναι εντός του επιτρεπόμενου εύρους θερμοκρασιών λειτουργίας

- Λαμπάκι LED M ⑩
 - Η λυχνία LED M ανάβει αυτόματα κατά την ενεργοποίηση του διακόπτη A
 - ! όταν το λαμπάκι LED αρχίζει να αναβοσβήνει, ενεργοποιείται η προστασία της μπαταρίας (βλ. παρακάτω)**
- Προστασία της μπαταρίας
 - Το εργαλείο σβήνει αιφνίδια ή δεν είναι δυνατό το άναμμα του όταν
 - **το φορτίο είναι πολύ υψηλό** --> αφαιρέστε το φορτίο και επανεκκινήστε

- η θερμοκρασία της μπαταρίας δεν βρίσκεται εντός του επιτρεπόμενου εύρους θερμοκρασίας λειτουργίας, δηλαδή -20 έως +50°C --> Τα επίπεδα 2 του ενδεικτικού της στάθμης της μπαταρίας αρχίζουν να αναβοσβήνουν κατά το πάτημα του πλήκτρου N ⑧c. Περιμένετε μέχρι η μπαταρία να επανέλθει εντός του επιτρεπόμενου εύρους θερμοκρασίας λειτουργίας

- η μπαταρία έχει σχεδόν αδειάσει (για προστασία έναντι βαθείας εκφόρτισης) --> ανάβει ή αναβοσβήνει η χαμηλή στάθμη μπαταρίας ⑧b δίπλα στο ενδεικτικό στάθμης μπαταρίας κατά το πάτημα του πλήκτρου N. Φορτίστε τη μπαταρία

! μην συνεχίσετε να πατάτε το διακόπτη ενεργοποίησης/απενεργοποίησης μετά την αυτόματη απενεργοποίηση του εργαλείου - μπορεί να προκληθεί βλάβη στη μπαταρία

- Αλλαγή της κατεύθυνσης περιστροφής ⑨
 - αν η διακόπτης A ② δεν είναι σωστά τοποθετημένη στη μία ή άλλη θέση δεν μπορεί να ενεργοποιηθεί
 - ! αλλάξτε την κατεύθυνση περιστροφής μόνο όταν το εργαλείο είναι τελείως σταματημένο**
- Αλλαγή μύτων ⑩
 - ! μη χρησιμοποιείτε μύτη με φθαρμένο στέλεχος**
- Ελέγχος της ροπής στρέψης (VarTorque) ⑪
 - η αποδιδόμενη ροπή θα αυξάνεται όσο περιστρέφεται το δακτυλίδι B του συμπλέκτη από το 1 προς το 17
 - όταν βιδώνετε μία βίδα δοκιμάστε πρώτα τη θέση ελέγχου ροπής 1 και αυξήστε μέχρι να φθάσετε στο επιθυμητό βάθος
 - στη θέση F ο συμπλέκτης μπλοκάρει στη θέση δυνατότητας διάτρησης (όχι κρουστικής) ή για βίδωμα με υψηλή δύναμη
 - στη θέση D ο συμπλέκτης μπλοκάρει στη θέση μόνο κρουστικής διάτρησης
 - ! φροντίστε ώστε ο επιλογέας ταχύτητας μετάδοσης B είναι στη θέση 2 όταν το δακτυλίδι του συμπλέκτη C είναι στη θέση κρουστικής διάτρησης**
 - ! μη χρησιμοποιείτε τη θέση κρουστικής διάτρησης D για διάτρηση σε ξύλο, μέταλλο, κεραμικά και πλαστικά υλικά για να αποφευχθεί ζημιά στο δράπανο ή το τρυπάνι**
- Μηχανική επιλογή ταχύτητας ⑫
 - ρυθμίστε τον διακόπτη G στην επιθυμητή ταχύτητα
 - ! μεταβάλετε την ταχύτητα όταν το εργαλείο περιστρέφεται αργά**
 - 1
 - χαμηλή ταχύτητα
 - υψηλή ροπή στρέψης
 - για χρήση καταβαθιδίου και για διάτρηση μεγάλων διαμέτρων
 - για σπειρώματα
 - 2
 - υψηλή ταχύτητα
 - χαμηλότερη ροπή στρέψης
 - για διάτρηση με κρούση
 - για διάτρηση μικρών διαμέτρων
- Πώς να κρατάτε και να οδηγείτε το εργαλείο ⑭
 - ! ενώ εργάζεστε, να κρατάτε πάντα το εργαλείο από τη/τις λαβή/ές με γκρι χρώμα**
 - κρατάτε τις σχισμές αερισμού J ② ακάλυπτες
 - μην ασκείτε υπέρμετρη πίεση στο εργαλείο - αφήστε το εργαλείο να δουλέψει για σας

ΣΥΝΤΗΡΗΣΗ / ΣΕΡΒΙΣ

- Αυτό το εργαλείο δεν προορίζεται για επαγγελματική χρήση
- Πάντα να διατηρείτε το εργαλείο καθαρό (ειδικά τις όπες εξερισμού H ②)
! αφαιρέστε την μπαταρία από το εργαλείο πριν από τον καθαρισμό
- Αν παρ' όλες τις επιμελημένες μεθόδους κατασκευής κι ελέγχου το εργαλείο σταματάει κάποτε να λειτουργεί, τότε η επισκευή του πρέπει να ανατεθεί σ' ένα εξουσιοδοτημένο συνεργείο για ηλεκτρικά εργαλεία της SKIL
- στείλτε το εργαλείο **χωρίς να το αποσυρναρμολογήσετε** μαζί με την απόδειξη αγοράς στο κατάστημα από το οποίο το αγοράσατε ή στον πλησιέστερο σταθμό τεχνικής εξυπηρέτησης της SKIL (θα βρείτε τις διευθύνσεις και το διάγραμμα συντήρησης του εργαλείου στην ιστοσελίδα www.skil.com)
- Να γνωρίζετε ότι βλάβες που προκαλούνται λόγω υπερφόρτωσης ή ακατάλληλου χειρισμού του εργαλείου, δεν καλύπτονται από την εγγύηση (για τους όρους της εγγύησης της SKIL επισκεφτείτε τη διεύθυνση www.skil.com ή απευθυνθείτε στον πλησιέστερο αντιπρόσωπο)

ΟΔΗΓΙΕΣ ΕΦΑΡΜΟΓΗΣ

- Χρησιμοποιείτε τη κατάλληλη μύτη ⑮
! χρησιμοποιείτε μόνο αιχμηρή μύτη
- Όταν κάνετε διάτρηση σε σιδηρούχα μέταλλα
- προ-τρύπηστε μία τρύπα μικρότερη από την απαιτούμενη
- λιπαίνετε τα εξαρτήματα του τρυπανιού τακτικά με λάδι
- Όταν έχετε να βιδώσετε μία βίδα στη γωνία ή σε άκρα ξύλου θα πρέπει πρώτα να τρυπήσετε με τρυπάνι για να αποφύγετε το "σκάσιμο" του ξύλου
- Για άριστη χρήση του εργαλείου σας απαιτείται σταθερή πίεση επάνω στη βίδα, ειδικά όταν αφαιρείτε βίδες
- Όταν βιδώνετε σε σκληρό ξύλο πρέπει πρώτα να έχετε κάνει μία ανάλογη τρύπα
- Για σωστό "καθαρό" τρύπημα στο ξύλο ⑮
- Τρύπημα χωρίς σκόνες σε τοίχους ⑮
- Τρύπημα χωρίς σκόνες σε οροφές ⑮
- Τρύπημα χωρίς γλιστρήματα σε πλακάκια ⑮
- Για περισσότερες πληροφορίες επισκεφθείτε τη σελίδα www.skil.com

ΠΕΡΙΒΑΛΛΟΝ

- **Μην πετάτε τα ηλεκτρικά εργαλεία, μπαταρίες, εξαρτήματα και συσκευασία στον κάδο οικιακών απορριμμάτων** (μόνο για τις χώρες της ΕΕ)
- σύμφωνα με την ευρωπαϊκή οδηγία 2012/19/ΕΚ περί ηλεκτρικών και ηλεκτρονικών συσκευών και την ενσωμάτωσή της στο εθνικό δίκαιο, τα ηλεκτρικά εργαλεία πρέπει να συλλέγονται ξεχωριστά και να επιστρέφονται για ανακύκλωση με τρόπο φιλικό προς το περιβάλλον
- το σύμβολο ⑥ θα σας το θυμήσει αυτό όταν έλθει η ώρα να πετάξετε τις
! προτού πετάξετε τις μπαταρίες καλύψτε τις επαφές τους με μονωτική ταινία για να αποφύγετε τυχόν βραχυκυκλώματα

ΘΟΡΥΒΟΣ / ΚΡΑΔΑΣΜΟΣ

- Βάσει της μέτρησης σύμφωνα με το πρότυπο EN 62841, η στάθμη ηχοπίεσης αυτού του εργαλείου είναι 83,0 dB(A) και η στάθμη ηχοπίεσης του 94,0 dB(A) (αβεβαιότητα K = 5 dB), και ο κραδασμός * (τριαξονικό διανυσματικό άθροισμα, αβεβαιότητα K = 1,5 m/s²)
*** όταν τρυπάτε σε μέταλλο <2,5 m/s²**
*** όταν τρυπάτε με κρούση σε μεπτόν 7,9 m/s²**
- Το επίπεδο παραγωγής κραδασμών έχει μετρηθεί σύμφωνα με μια τυποποιημένη δοκιμή που αναφέρεται στο πρότυπο EN 62841 - μπορεί να χρησιμοποιηθεί για τη σύγκριση ενός εργαλείου με ένα άλλο, καθώς και ως προκαταρκτική αξιολόγηση της έκθεσης στους κραδασμούς όταν το εργαλείο χρησιμοποιείται για τις εφαρμογές που αναφέρονται
- η χρήση του εργαλείου για διαφορετικές εφαρμογές ή με διαφορετικά ή κακοσυντηρημένα εξαρτήματα μπορεί να **αυξήσει** σημαντικά το επίπεδο έκθεσης
- όταν το εργαλείο είναι απενεργοποιημένο ή δουλεύει αλλά δεν εκτελεί την εργασία, το επίπεδο έκθεσης μπορεί να **μειωθεί** σημαντικά
! προστατευτείτε από τις επιδράσεις των κραδασμών συντηρώντας σωστά το εργαλείο και τα εξαρτήματά του, διατηρώντας τα χέρια σας ζεστά και οργανώνοντας τον τρόπο εργασίας σας

RO

Mașină de găurit cu 3018/3020 percuție/șurubelnită cu acumulatori

INTRODUCERE

- Această sculă este concepută pentru găuriri cu percuție în cărămidă ca și găuriri în lemn, metal, ceramică și material plastic; sculele cu control electronic de viteza și rotație reversibilă sunt de asemenea adecvate pentru înșurubare și filetare
- Această sculă nu este destinată utilizării profesionale
- Citiți și păstrați acest manual de instrucțiuni ③

DATE TEHNICE ①

Moment de torsiune maxim, înșurubare dură conform ISO 5393 : 55Nm

ELEMENTELE SCULEI ②

- A** Întrerupător deschis/inchis și controlul vitezei
- B** Inel pentru reglarea momentului
- C** Comutator pentru schimbarea funcției
- D** Poziție de perforare roto-percutantă
- E** Poziție de perforare
- F** Poziția de înșurubare
- G** Comutator de selecție trepte de turaj
- H** Indicator al direcției de rotație selectate
- J** Fantele de ventilație
- K** Comutator pentru schimbarea direcției de rotație
- L** Clemă pentru centură
- M** Lampă LED
- N** Indicator nivel încărcare acumulator

SIGURANȚA

INSTRUCȚIUNI GENERALE DE SIGURANȚĂ PENTRU SCULE ELECTRICE

AVERTISMENT Citiți toate avertismentele, instrucțiunile, ilustrațiile și specificațiile furnizate împreună cu această sculă electrică. Neconformarea la instrucțiunile de mai jos poate produce șoc electric, incendii și/sau răniri grave.

Păstrați toate avertizările și instrucțiunile în vederea consultării ulterioare.

Termenul de "sculă electrică" folosit în indicațiile de avertizare se referă la sculele electrice alimentate de la rețea (cu cablu de alimentare) și la sculele electrice cu acumulator (fără cablu de alimentare).

1) SIGURANȚA LA LOCUL DE MUNCĂ

- Păstrați-vă locul de muncă curat și bine iluminat.** Dezordinea la locul de muncă sau existența unor sectoare de lucru neiluminate poate duce la accidente.
- Nu folosiți mașina în medii cu pericol de explozie, acolo unde există lichide, gaze sau pulberi inflamabile.** Sculele electrice pot produce scântei care să aprindă pulberile sau vaporii.
- Nu permiteți accesul copiilor și al altor persoane în timpul lucrului cu mașina.** Dacă vi se distrage atenția puteți pierde controlul asupra mașinii.

2) SECURITATE ELECTRICĂ

- Ștecherul de racordare a mașinii trebuie să se potrivească cu priza de alimentare. Nu este permisă în nici-un caz modificarea ștecherului. Nu folosiți adaptoare pentru ștechere la mașinile legate la pământ.** Ștecherele nemodificate și prizele de curent adecvate acestora reduc riscul de electrocutare.
- Evitați contactul corporal cu suprafețe legate la pământ ca țevi, radiatoare, plite electrice și frigidere.** Există un risc crescut de electrocutare atunci când corpul dv. este și el legat la pământ.
- Nu lăsați mașina afară în ploaie sau în mediu umed.** Riscul de electrocutare crește atunci când într-o sculă electrică pătrunde apă.
- Nu trageți niciodată mașina de cordonul de alimentare pentru a o transporta, a o atârna sau a scoate ștecherul din priza de curent. Feriți cordonul de alimentare de căldură, ulei, muchiul ascuțite sau de subsansamble aflate în mișcare.** Un cordon de alimentare deteriorat sau înfășurat mărește riscul de electrocutare.
- Atunci când lucrați cu scula electrică în aer liber, folosiți numai cordonoe prelungitoare autorizate pentru exterior.** Întrebuințarea unui cordon prelungitor adecvat utilizării în aer liber reduce riscul de electrocutare.
- Atunci când nu poate fi evitată utilizarea sculei electrice în mediu umed, folosiți un întrerupător de circuit cu împământare.** Folosirea unei întrerupător de circuit cu împământare reduce riscul de electrocutare.

3) SECURITATEA PERSOANELOR

- Fiți vigilenți, fiți atenți la ceea ce faceți și procedați rațional atunci când lucrați cu scula electrică.**

Nu folosiți mașina dacă sunteți oboșiți sau vă aflați sub influența drogurilor, alcoolului sau a medicamentelor. Un moment de neatenție în timpul lucrului cu mașina poate duce la răniri grave.

- Purtați echipament de protecție personală și întotdeauna ochelari de protecție.** Folosirea echipamentelor de protecție a persoanei ca mască de protecție împotriva prafului, încălțăminte antiderapantă, cască de protecție sau aparat de protecție auditivă, în funcție de tipul și domeniul de folosire al sculei electrice, reduce riscul rănirilor.
 - Evitați o punere în funcțiune involuntară. Înainte de a introduce ștecherul în priză și/sau de a introduce acumulatorul în scula electrică, de a o ridica sau de a o transporta, asigurați-vă că aceasta este oprită.** Dacă atunci când transportați scula electrică țineți degetul pe întrerupător sau dacă porniți scula electrică înainte de a o racorda la rețeaua de curent, puteți provoca accidente.
 - Înainte de a pune mașina în funcțiune scoateți afară cheile reglabile și fixe.** O cheie reglabilă sau fixă, aflată într-o componentă de mașină care se rotește, poate provoca răniri.
 - Nu vă supraapreciați. Asigurați-vă o poziție stabilă și păstrați-vă întotdeauna echilibrul.** Astfel veți putea controla mai bine mașina în situații neașteptate.
 - Purtați îmbrăcăminte de lucru adecvată. Nu purtați haine largi sau podoabe. Feriți părul și îmbrăcămintea de piesele aflate în mișcare.** Îmbrăcămintea largă, podoabele și părul lung pot fi prinse de piesele aflate în mișcare.
 - Dacă există posibilitatea montării de echipamente și instalații de aspirare și colectare a prafului, asigurați-vă că acestea sunt conectate și folosite corect.** Folosirea unei instalații de aspirare a prafului poate duce la reducerea poluării cu praf.
 - Nu vă lăsați amăgiți de ușurința în operare dobândită în urma folosirii frecvente a sculelor electrice și nu ignorați principiile de siguranță ale acestora.** Neglijența poate provoca, într-o fracțiune de secundă, vătămări corporale grave
- ### 4) MANEVRAȚI ȘI FOLOSIȚI CU GRIJĂ SCULELE ELECTRICE
- Nu suprafolosiți mașina. Folosiți scula electrică destinată executării lucrării dumneavoastră.** Cu scula electrică potrivită lucrați mai bine și mai sigur în domeniul de putere specificat.
 - Nu folosiți scula electrică dacă are întrerupătorul defect.** O sculă electrică, care nu mai poate fi pornită sau oprită este periculoasă și trebuie reparată.
 - Scoateți ștecherul afară din priză și/sau îndepărtați acumulatorul dacă este detașabil, înainte de a executa reglaje, a schimba accesorii sau a depozita scula electrică.** Această măsură preventivă reduce riscul unei porniri involuntare a mașinii.
 - În caz de nefolosire păstrați mașinile la loc inaccesibil copiilor. Nu permiteți persoanelor care nu sunt familiarizate cu mașina sau care n-au citit prezentele instrucțiuni, să folosească mașina.** Sculele electrice sunt periculoase atunci când sunt folosite de persoane fără experiență.
 - Întrețineți sculele electrice și accesoriile acestora. Controlați dacă componentele mobile funcționează**

corect și dacă nu se blochează, dacă nu există piese defecte sau deteriorate, care să afecteze funcționarea mașinii. Înainte de a repune în funcțiune mașina, duceți-o la un atelier de asistență service pentru repararea sau înlocuirea pieselor deteriorate. Multe accidente s-au datorat întreținerii defectuoase a sculelor electrice.

- f) **Păstrați accesoriile bine ascuțite și curate.** Accesoriile atent întreținute, cu muchii tăietoare bine ascuțite se blochează mai greu și pot fi conduse mai ușor.
- g) **Folosiți sculele electrice, accesoriile, dispozitivele de lucru etc. conform prezentelor instrucțiuni. Țineți seama de condițiile de lucru și de lucrarea care trebuie executată.** Întrebuițarea unor scule electrice destinate altor utilizări decât cele preconizate, poate duce la situații periculoase.
- h) **Mențineți mânerul și zonele de prindere uscate, curate și feriți-le de ulei și unsoare.** Mânerul și zonele de prindere alunecoase nu permit manevrarea și controlul sigur al sculei electrice în situații neașteptate.
- 5) MANEVRAȚI ȘI FOLOSIȚI CU GRIJĂ SCULELE ELECTRICE CU ACUMULATOR**
- a) **Folosiți pentru încărcarea acumulatorilor numai încărcătoarele recomandate de producător.** Dacă un încărcător destinat unui anumit tip de acumulator este folosit la încărcarea altor acumulatori există pericol de incendiu.
- b) **Folosiți la sculele electrice numai acumulatorii prevăzuți în acest scop.** Întrebuițarea altor acumulatori decât cei specificați poate duce la răniri și pericol de incendii.
- c) **Feriți acumulatorii nefolosiți de contactul cu agrafe de birou, monede, chei, cuie, șuruburi sau alte obiecte metalice mici, care pot produce o punte metalică între contactele acumulatorului.** Un scurtcircuit între poli de contact ai acumulatorului poate avea drept consecință arsuri sau incendii.
- d) **Ca urmare a folosirii necorespunzătoare, din acumulator se poate scurge lichid. Evitați contactul cu acesta. În caz de contact accidental, clătiți cu apă. Dacă lichidul vă intră în ochi, pe lângă măsurile aminite consultați și un medic.** Lichidul care se scurge din acumulator poate provoca iritarea pielii sau arsuri.
- e) **Nu folosiți un acumulator sau o sculă electrică cu acumulator deteriorat sau modificat.** Acumulatorii deteriorați sau modificați pot avea un comportament imprevizibil care să ducă la incendiu, explozie sau să genereze risc de vătămări corporale.
- f) **Nu expuneți acumulatorul sau scula electrică la foc sau temperaturi excesive.** Expunerea la foc sau temperaturi de peste 130°C poate duce la explozii.
- g) **Respectați toate instrucțiunile de încărcare și nu reincărcați acumulatorul sau scula electrică cu acumulator la temperaturi situate în afara domeniului de temperaturi specificat în instrucțiuni.** Încărcarea incorectă sau la temperaturi situate în afara domeniului de temperaturi specificat ar putea cauza deteriorarea acumulatorului și mări riscul de incendiu.
- 6) SERVICIU**
- a) **Permiteți repararea mașinii dumneavoastră numai de către un specialist calificat și numai cu piese de schimb originale.** În acest mod este garantată menținerea siguranței de exploatare a mașinii.

- b) **Nu întrețineți niciodată acumulatori deteriorați.** Întreținerea acumulatorilor ar trebui efectuată numai de către producător sau de către furnizori de service autorizați de acesta.

INSTRUCȚIUNI DE SIGURANȚĂ PENTRU MAȘINA DE GĂURIT/ȘURUBELNIȚA CU ACUMULATORI

1) INSTRUCȚIUNI DE SIGURANȚĂ PENTRU TOATE OPERAȚIUNILE

- a) **Purtați protecții auditive atunci când găuriți cu percuție.** Expunerea la zgomot poate cauza pierderea auzului.
- b) **Țineți scula electrică de mânerul izolat atunci când efectuați o operațiune în care accesoriul de tăiere sau dispozitivul de fixare poate atinge fire electrice ascunse.** Dacă accesoriul de tăiere și dispozitivul de fixare ating fire electrice aflate sub tensiune, acest lucru poate face ca piesele metalice expuse ale sculei să se electrifice, existând riscul unui șoc electric pentru operator.

2) INSTRUCȚIUNI DE SIGURANȚĂ ATUNCI CÂND UTILIZAȚI BURGHIILE LUNGI

- a) **Nu utilizați niciodată la o viteză mai mare decât viteza maximă acceptată a burghiului.** La viteze mai mari, este probabil ca burghiul să se îndoaie dacă se rotește liber fără contact cu piesa de prelucrat, ducând la vătămări corporale.
- b) **Începeți întotdeauna găurirea la viteză mică și cu vârful burghiului în contact cu piesa de prelucrat.** La viteze mai mari, este probabil ca burghiul să se îndoaie dacă se rotește liber fără contact cu piesa de prelucrat, ducând la vătămări corporale.
- c) **Aplicați presiune numai în linie dreaptă cu burghiul și nu aplicați presiune excesivă.** Burghiile se pot îndoi, provocând rupere sau pierdere a controlului, ducând la vătămări corporale.

GENERALITĂȚI

- Praful rezultat din materiale precum vopseaua care conține plumb, unele specii de lemn, minerale și metale poate fi periculos (contactul cu praful sau inhalarea acestuia poate provoca reacții alergice și/sau afecțiuni respiratorii operatorului sau persoanelor care stau în apropiere); **purtați o mască de praf și lucrați cu un dispozitiv de extragere a prafului când poate fi conectat**
- Anumite tipuri de praf sunt clasificate ca fiind cancerigene (cum ar fi praful de stejar și fag) în special în combinație cu aditivi pentru tratarea lemnului; **purtați o mască de praf și lucrați cu un dispozitiv de extragere a prafului când poate fi conectat**
- Respectați reglementările naționale referitoare la aspirația prafului în funcție de materialele de lucru folosite
- **Nu prelucrați materiale care conțin azbest** (azbestul este considerat a fi cancerigen)
- Asigurați-vă că comutator K ② este în poziția din mijloc (poziția de blocaj) înainte de a executa reglaje ale sculei electrice sau de a înlocui accesoriile precum și în cazul de transport sau depozitare a sculei electrice

ACCESORII

- SKIL garantează funcționarea perfectă a aparatului numai dacă sunt folosite accesoriile originale
- Folosiți numai accesoriile a căror turație admisă este cel puțin egală cu turația maximă la mers în gol a aparatului

ÎNAINTEA UTILIZĂRII

- Evitați daunele provocate de șuruburi, țiște și alte elemente din timpul lucrului; înlăturați aceste elemente înainte de a trece la acțiune
- Verificați întotdeauna dacă tensiunea de alimentare este aceeași cu tensiunea indicată pe plăcuța de identificare a încărcătorului
- **Securizați piesa de lucru** (o piesă de lucru fixată cu clame sau într-o menhină este ținută mult mai în siguranță decât manual)
- **Folosiți detectoare adecvate pentru depistarea conductelor și conductorilor de alimentare sau apelați în acest scop la întreprinderea locală de furnizare a utilităților** (contactul cu conductorii electrici poate provoca incendii sau electrocutare; deteriorarea unei conducte de gaz poate duce la explozii; spargerea unei conducte de apă provoacă pagube materiale sau poate provoca electrocutare)

ÎN TIMPUL FUNCȚIONĂRII

- În cazul unor defecțiuni electrice sau mecanice, imediat deconectați instrumentul sau scoateți încărcătorul de la sursa de energie

BATERIILOR

- **Bateria furnizată este parțial încărcată** (pentru a asigura o capacitate maximă a bateriei, încărcăți-o complet utilizând încărcătorul acesteia înainte de a utiliza scula electrică pentru prima dată)
- **Utilizați numai următoarele baterii și încărcătoare cu această sculă**
 - Baterie SKIL: BR1*31****
 - Încărcător SKIL: CR1*31****
- Nu utilizați bateria dacă este avariată; aceasta trebuie înlocuită
- Nu dezasamblați bateria
- Nu expuneți scula/bateria la ploaie
- Temperatură ambientă admisă (instrument/încărcător/acumulator):
 - în timpul încărcării 4...40°C
 - în timpul funcționării -20...+50°C
 - în timpul depozitării -20...+50°C

EXPLICAȚIA SIMBOLURILOR DE PE INSTRUMENT/ BATERIE

- ③ Citiți manual de instrucțiuni înainte de utilizare
- ④ Bateriile vor exploda când sunt aruncate în foc, deci nu ardeți bateriile sub niciun motiv
- ⑤ Păstrați instrumentul/încărcătorul/bateria la temperaturi cuprinse între 50°C și 0°C
- ⑥ Nu aruncați sculele electrice și bateriile direct la pubelele de gunoi

UTILIZAREA

- Întrerupător combinat pentru conectare/deconectare și dirijarea vitezei A ②
 - dirijați viteza de la 0 la maximum prin apăsare mai puternică sau mai slabă a butonului de pornire
- Încărcarea bateriei
 - ! **citiți avertismentele de siguranță și instrucțiunile care au fost furnizate împreună cu încărcătorul**
- Scoaterea/instalarea bateriilor ②
- Atașarea clemei pentru centură ⑦
 - atașați clema pentru centură L la burghiu utilizând șurubul furnizat.
- Indicator nivel încărcare acumulator ⑧
 - apăsați butonul care indică nivelul de încărcare a

bateriei N pentru a afișa nivelul actual de încărcare al bateriei ⑧a

! când nivelul minim al indicatorului bateriei începe să lumineze intermitent după apăsarea butonului N ⑧b, bateria este descărcată

! Când 2 nivelurile indicatorului bateriei încep să lumineze intermitent după apăsarea butonului N ⑧c, bateria nu se încadrează în intervalul permis de temperatură de funcționare

- Lampă LED M ⑬
Lampa LED M se aprinde automat la activarea comutatorului A
 - ! **când LED-ul începe să lumineze intermitent, protecția bateriei este activată (a se vedea mai jos)**
- Protecția bateriei
Aparatul este oprit brusc sau împiedicat să fie pornit când
 - **sarcina este prea mare** --> îndepărtați sarcina și reporniți
 - **temperatura bateriei nu se încadrează în intervalul permis de temperatură de funcționare între -20 și +50 °C** --> nivelurile 2 ale indicatorului nivelului de încărcare al bateriei încep să lumineze intermitent la apăsarea butonului N ⑧c; așteptați până când bateria revine în intervalul permis de temperatură de funcționare
 - **bateria este aproape descărcată (pentru a proteja împotriva descărcării în totalitate)** --> un nivel de încărcare scăzut al bateriei sau un nivel de încărcare scăzut al bateriei care luminează intermitent ⑧b este afișat de indicatorul nivelului de încărcare al bateriei la apăsarea butonului N; încărcăți bateria
 - ! **nu continuați să apăsați comutatorul pornit/oprit după oprirea automată a mașinii; în caz contrar, bateria poate fi deteriorată**
- Schimbarea direcției de rotație ⑨
 - dacă pârghia nu se așa în poziția corectă stânga/dreapta, Întrerupător A ② nu va putea fi acționat
 - ! **schimbați direcția de rotație abia atunci când aparatul este complet oprit**
- Înlucuirea biți ⑩
 - ! **nu folosiți biți cu coadă deteriorată**
- Reglajul cuplului (VariTorque) ⑪
 - ale ambreajului randamentul cuplurilor de torsiune va spori în cazul în care inelul ambreajului B este scutit de la poziția 1 la 17
 - în cazul în care ați nimerit peste un șurub, încercați pentru început poziția 1 al VariTorque și apăsați până când veți obține adâncimea necesară
 - poziția F va bloca ambreajul pentru a permite perforarea (fără roto-percutare) sau perforarea unor porțiuni mai dificile
 - poziția D va bloca ambreajul pentru a permite numai găurire cu percuție
 - ! **verificați comutatorul de selecție a treptelor de turație B pentru a vă asigura că se află în poziția 2 când inelul de cuplare C se află în poziție de găurire cu percuție**
 - ! **nu folosiți poziția de găurire cu percuție D pentru găurire în lemn, metal, ceramică și plastic pentru a nu deteriora burghiu/spiralul**
- Selecție mecanică a treptelor de turație ⑫
 - setați comutatorul G la viteza dorită

! acționați comutatorul de selecție a treptelor de turație în timp ce scula funcționează lent

- 1
- viteză scăzută
- moment de rotație mare
- pentru ghidarea șuruburilor și pentru găuriri de diametre mari
- pentru realizarea de filete

2

- viteză ridicată
- moment de rotație scăzut
- pentru găuriri cu percuție
- pentru găuriri de diametre mai mici

- Mănuirea și dirijarea sculei (14)

! în timp ce lucrați, țineți întotdeauna scula de zonă (zonele) de prindere colorate gri

- mențineți fantele de ventilație J (2) neacoperite
- nu exercitați prea multă presiune asupra sculei; lăsați scula să funcționeze

ÎNȚREȚINERE / SERVICE

- Această sculă nu este destinată utilizării profesionale
- Păstrați întotdeauna aparatul curat (mai ales fantele de ventilație H (2))
 - ! **scoateți bateria din scula electrică înainte de curățare**
- Dacă în ciuda procedurilor de fabricație și control riguroase scula are totuși o pană, repararea acesteia se va face numai la un atelier de asistență service autorizat pentru scule electrice SKIL
 - trimiteți scula **în totalitatea lui** cu bonul de cumpărare la distribuitorul sau la centrul de service SKIL cel mai apropiat (adrese și diagrame de service se găsesc la www.skil.com)
- Trebuie să fiți conștienți de faptul că deteriorarea datorată suprasarcinii sau utilizării incorecte a sculei vor fi excluse din garanție (pentru condițiile de garanție SKIL consultați www.skil.com sau întrebați distribuitorul)

SFATURI PENTRU UTILIZARE

- Folosiți biți juste (15)
 - ! **folosiți numai biți ascuțiți**
- La găurirea în metale feroase
 - când este necesară găurirea la un diametru mare, efectuați întâi o găurire intermediară, la diametru mai mic
 - ungeți cu ulei din când în când burghiul
- Atunci când doriți să suciți un șurub la marginea, colțul, capătul lemnului, se recomandă să faceți o gaură cu instrumentul de găurit pentru a evita crăparea lemnului
- Pentru o utilizare optimă a instrumentului este necesară exercitarea unei presiuni constante asupra șurubului, în special la schimbare
- În cazul înșurubării într-un lemn tare se recomandă efectuarea în prealabil a unei găuri
- Găurire așchiată în lemn (16)
- Găurire în ziduri fara praf (17)
- Găurire în plăoane fara praf (18)
- Găurire în tige fara a aluneca (19)
- Pentru mai multe informații, consultați www.skil.com

MEDIUL

- **Nu aruncați sculele electrice, bateriile, accesoriile sau ambalajele direct la pubelele de gunoi** (numai pentru țările din Comunitatea Europeană)
 - Directiva Europeană 2012/19/EC face referire la modul de aruncare a echipamentelor electrice și electronice și modul de aplicare a normelor în conformitate cu legislația națională; sculele electrice în momentul în care au atins un grad avansat de uzură și trebuie scut aruncate, ele trebuie colectate separat și reciclate într-un mod ce respectă normele de protecție a mediului înconjurător
 - simbolul (6) vă va reaminti acest lucru
- ! **înainte aruncare protejați terminalele bateriei cu lentă protectoare pentru a preîntâmpina scurtcircuitul**

ZGOMOT / VIBRAȚII

- Măsurate în conformitate cu EN 62841, nivelul de presiune sonoră a acestui instrument este 83,0 dB(A) și nivelul de zgomot 94,0 dB(A) (incertitudinea K = 5 dB) și vibrația * (suma vectorială triaxială; incertitudinea K = 1,5 m/s²)
 - * când găuriți în metal <2,5 m/s²
 - * când găuriți cu percuție în beton 7,9 m/s²
- Nivelul emisiilor de vibrații a fost măsurat în conformitate cu un test standardizat precizat în EN 62841; poate fi folosit pentru a compara o sculă cu alta și ca evaluare preliminară a expunerii la vibrații atunci când folosiți scula pentru aplicațiile menționate
 - utilizarea sculei pentru aplicații diferite sau cu accesorii diferite și prost întreținute poate **crește** semnificativ nivelul de expunere
 - momentele în care scula este oprită sau când funcționează dar nu execută nicio lucrare, pot **reduce** semnificativ nivelul de expunere
- ! **protejați-vă împotriva efectelor vibrațiilor prin întreținerea sculei și a accesoriilor sale, păstrând mâinile calde și organizând procesele de lucru**

BG

Акумулаторен ударен бормашиен/винтоверт 3018/3020

УВОД

- Този инструмент е предназначен за ударно пробиване на тухла а също така и за пробиване на дърво, метал, керамика и пластмаса; за завинтване и нарязване на резба се предлагат инструменти с електронно регулиране на скоростта и ляво/дясно въртене
- Този инструмент не е предназначен за професионална употреба
- Прочетете и пазете това ръководство за работа (3)

ТЕХНИЧЕСКИ ДАННИ (1)

Макс. въртящ момент при твърди винтови съединения по ISO 5393 : 55Nm

ЕЛЕМЕНТИ НА ИНСТРУМЕНТА ②

- A Спусък за включване/изключване и регулиране на скоростта
- B Пръстен за регулиране на въртящия момент
- C Превключвател за промяна на функция
- D Позиция за ударно пробиване
- E Позиция за пробиване
- F Позиция за завинтване
- G Превключвател за предавките
- H Индикатор за избраната посока на въртене
- J Вентилационните отвори
- K Превключвател за обръщане на посоката на въртене
- L Щипка за колан
- M Светодиодна светлина
- N Индикатор за капацитета на батерията

БЕЗОПАСНОСТ

ОБЩИ УКАЗАНИЯ ЗА БЕЗОПАСНА РАБОТА С ЕЛЕКТРОИНСТРУМЕНТИ

▲ ПРЕДУПРЕЖДЕНИЕ Прочете всички предупреждения за безопасност, инструкции, илюстрации и спецификации, доставени с този електроинструмент. Неспазването на всички описани по-долу инструкции може да доведе до токов удар, пожар и/или тежко нараняване.

Запазете всички предупреждения и указания за ползване в бъдеще.

Използваният по-долу термин “електроинструмент” се отнася до захранвани от електрическата мрежа електроинструменти (със захранващ кабел) и до захранвани от акумулаторна батерия електроинструменти (без захранващ кабел).

- 1) **БЕЗОПАСНОСТ НА РАБОТНОТО МЯСТО**
 - a) **Поддържайте работното си място чисто и подредено.** Безпорядъкът или недостатъчното осветление могат да спомогнат за възникването на трудова злополука.
 - b) **Не работете с електроинструмента в среда с повишена опасност от възникване на експлозия, в близост до леснозапалими течности, газове или прахообразни материали.** По време на работа в електроинструментите се отделят искри, които могат да възпламенят прахообразни материали или пари.
 - c) **Дръжте деца и странични лица на безопасно разстояние, докато работите с електроинструмента.** Ако вниманието Ви бъде отклонено, може да загубите контрола над електроинструмента.
- 2) **БЕЗОПАСНОСТ ПРИ РАБОТА С ЕЛЕКТРИЧЕСКИ ТОК**
 - a) **Щепселът на електроинструмента трябва да е подходящ за ползвания контакт. В никакъв случай не се допуска изменение на конструкцията на щепсела. Когато работите със занулени електроуреди, не използвайте адаптери за щепсела.** Ползването на оригинални щепсели и

контакти намалява риска от възникване на токов удар.

- b) **Избягвайте допира на тялото Ви до заземени тела, напр. тръби, отоплителни уреди, пещи и хладилници.** Когато тялото Ви е заземено, рискът от възникване на токов удар е по-голям.
 - c) **Предпазвайте електроинструмента си от дъжд и влага.** Проникването на вода в електроинструмента повишава опасността от токов удар.
 - d) **Не използвайте захранващия кабел за цели, за които той не е предвиден, напр. за да носите електроинструмента за кабела или да извадите щепсела от контакта. Предпазвайте кабела от нагриване, омасляване, допир до остри ръбове или до подвижни звена на машини.** Повредени или усукани кабели увеличават риска от възникване на токов удар.
 - e) **Когато работите с електроинструмент навън, използвайте само удължителни кабели, предназначени за работа на открито.** Използването на удължител, предназначен за работа на открито, намалява риска от възникване на токов удар.
 - f) **Ако се налага използването на електроинструмента във влажна среда, използвайте предпазен прекъсвач за утечни токове.** Използването на предпазен прекъсвач за утечни токове намалява опасността от възникване на токов удар.
- 3) **БЕЗОПАСЕН НАЧИН НА РАБОТА**
- a) **Бъдете концентрирани, следете внимателно действията си и постъпвайте предпазливо и разумно. Не използвайте електроинструмента, когато сте уморени или под влиянието на наркотични вещества, алкохол или упойващи лекарства.** Един миг разсеяност при работа с електроинструмент може да има за последствие изключително тежки наранявания.
 - b) **Работете с предпазващо работно облекло и винаги с предпазни очила.** Носенето на подходящи за ползвания електроинструмент и извършваната дейност лични предпазни средства, като дихателна маска, здрави плътнотзатоворени обувки със стабилен грайфер, защитна каска или шумозаглушители (антифони), намалява риска от възникване на трудова злополука.
 - c) **Избягвайте опасността от включване на електроинструмента по невнимание. Преди да включите щепсела в захранващата мрежа или да поставите акумулаторната батерия, се уверявайте, че пусковият прекъсвач е в положение изключено.** Ако, когато носите електроинструмента, държите пръста си върху пусковия прекъсвач, или ако подавате захранващо напрежение на електроинструмента, когато е включен, съществува опасност от възникване на трудова злополука.
 - d) **Преди да включите електроинструмента, се уверявайте, че сте отстранили от него всички помощни инструменти и гаечни ключове.** Помощен инструмент, забравен на въртящо се звено, може да причини травми.
 - e) **Не надценявайте възможностите си. Работете в стабилно положение на тялото и във всеки**

- момент **поддържайте равновесие**. Така ще можете да контролирате електроинструмента по-добре и по-безопасно, ако възникне неочаквана ситуация.
- f) **Работете с подходящо облекло. Не работете с широки дрехи или украшения. Дръжте косата и дрехите си на безопасно разстояние от движещи се звена.** Широките дрехи, украшенията, дългите коси могат да бъдат захванати и увлечени от въртящи се звена.
- g) **Ако е възможно използването на външна аспирационна система, се уверявайте, че тя е включена и функционира изправно.** Използването на аспирационна система намалява рисковете, дължащи се на отделящата се при работа прах.
- h) **Доброто познаване на електроинструмента вследствие на честа работа с него не е повод за намаляване на вниманието и пренебрегване на мерките за безопасност.** Едно невнимателно действие може да предизвика тежки наранявания само за части от секундата.
- 4) ВНИМАТЕЛНО ОТНОШЕНИЕ КЪМ ЕЛЕКТРОИНСТРУМЕНТИ**
- a) **Не претоварвайте електроинструмента. Използвайте електроинструментите само съобразно тяхното предназначение.** Ще работите по-добре и по-безопасно, когато използвате подходящия електроинструмент в зададения от производителя диапазон на натоварване.
- b) **Не използвайте електроинструмент, чиито пусков прекъсвач е повреден.** Електроинструмент, който не може да бъде изключван и включван по предвидения от производителя начин, е опасен и трябва да бъде ремонтиран.
- c) **Преди да извършвате нановито и да е дейности по електроинструмента, напр. настройване, смяна на работен инструмент, както и когато го прибирате, изключвайте щепсела от контакта, респ. изваждайте батерията, ако е възможно.** Тази мярка премахва опасността от задействане на електроинструмента по невнимание.
- d) **Съхранявайте електроинструментите на места, където не могат да бъдат достигнати от деца. Не допускате те да бъдат използвани от лица, които не са запознати с начина на работа с тях и не са прочели тези инструкции.** Когато са в ръцете на неопитни потребители, електроинструментите могат да бъдат изключително опасни.
- e) **Поддържайте добре електроинструментите си и аксесоарите им. Проверявайте дали подвижните звена функционират безукорно, дали не заклинват, дали има счупени или повредени детайли, които нарушават или изменят функциите на електроинструмента. Преди да използвате електроинструмента, се погрижете повредените детайли да бъдат ремонтирани.** Много от трудовете злополуки се дължат на недобре поддържани електроинструменти и уреди.
- f) **Поддържайте ренещите инструменти винаги добре заточени и чисти.** Добре поддържаните режещи инструменти с остри ръбове оказват по-малко съпротивление и се водят по-леко.
- g) **Използвайте електроинструментите, допълнителните приспособления, работните инструменти и т.н., съобразно инструкциите на производителя. С дейности и процедури, евентуално предписани от различни нормативни документи.** Използването на електроинструменти за различни от предвидените от производителя приложения повишава опасността от възникване на трудови злополуки.
- h) **Поддържайте дръжките и ръкохватните сухи, чисти и неомаслени.** Хлъзгавите дръжки и ръкохватки не позволяват безопасната работа и доброто контролиране на електроинструмента при възникване на неочаквана ситуация.
- 5) ВНИМАТЕЛНО ОТНОШЕНИЕ КЪМ АКУМУЛАТОРНИ ЕЛЕКТРОИНСТРУМЕНТИ**
- a) **За зареждането на акумулаторните батерии използвайте само зарядните устройства, препоръчвани от производителя.** Когато използвате зарядни устройства за зареждане на неподходящи акумулаторни батерии, съществува опасност от възникване на пожар.
- b) **За съхраняване на електроинструментите използвайте само предвидените за съответния модел акумулаторни батерии.** Използването на различни акумулаторни батерии може да предизвика трудова злополука и/или пожар.
- c) **Предпазвайте неизползваните акумулаторни батерии от контакт с големи или малки метални предмети, напр. клемери, монети, ключове, пирони, винтове и др.п., тъй като те могат да предизвикат късо съединение.** Последствията от късото съединение могат да бъдат изгаряния или пожар.
- d) **При неправилно използване от акумулаторна батерия от нея може да изтече електролит. Избягвайте контакта с него. Ако въпреки това на кожата Ви попадне електролит, изплакнете мястото обилно с вода. Ако електролит попадне в очите Ви, незабавно се обърнете за помощ към очен лекар.** Електролитът може да предизвика изгаряния на кожата.
- e) **Не използвайте акумулаторна батерия или електроинструмент, които са повредени или с изменена конструкция.** Повредени или изменени акумулаторни батерии могат да се възпламенят, експлодират или да предизвикат наранявания.
- f) **Не излагайте акумулаторната батерия на високи температури или огън.** Излагането на огън или температури над 130°C могат да предизвикат експлозии.
- g) **Спазвайте всички указания за зареждане на акумулаторната батерия; не я зареждайте, ако температурата ѝ е извън диапазона, посочен в инструкциите.** Неправилното зареждане или зареждането при температури извън допустимия диапазон могат да увредят батерията и увеличават опасността от пожар.
- 6) ПОДДЪРЖАНЕ**
- a) **Допускайте ремонтът на електроинструментите Ви да се извършва само от квалифицирани специалисти и само с използването на оригинални резервни части.** По този начин се гарантира съхраняване на безопасността на електроинструмента.

- b) **Никога не ремонтирайте повредени акумулаторни батерии.** Ремонтът на акумулаторни батерии трябва да се извършва само от производителя или от оторизиран сервиз.

УКАЗАНИЯ ЗА БЕЗОПАСНА РАБОТА ЗА АКУМУЛАТОРЕН УДАР/ВИНТОВЕРТ

1) ИНСТРУКЦИИ ЗА БЕЗОПАСНОСТ ЗА ВСИЧКИ ОПЕРАЦИИ

- a) **Носете протектори за уши при ударно пробиване.** Излагането на шум може да причини загуба на слуха.
- b) **Дръжте електроинструмента за изолирани захващащи повърхности при изпълняване на операция, при която режещият аксесоар или скрепителният елемент могат да влязат в контакт със скрито окабеляване.** Режещ аксесоар и скрепителни елементи в контакт с „живи“ електрически проводник могат да направят изложените метални части на електроинструмента „живи“ и могат да причинят електрически удар у оператора.
- 2) **ИНСТРУКЦИИ ЗА БЕЗОПАСНОСТ ПРИ УПОТРЕБАТА НА ДЪЛГИ СВРЕДЛА**

- a) **Никога не оперирайте при по-висока скорост от максималния индекс на скоростта на свредлото.** При по-високи скорости свредлото е възможно да се огъне, ако му се позволи да се върти свободно, без да е в контакт с обработвания детайл, водейки до телесно нараняване.
- b) **Винаги започвайте да пробивате при ниска скорост и с връх на свредлото в контакт с обработвания детайл.** При по-високи скорости свредлото е възможно да се огъне, ако му се позволи да се върти свободно, без да е в контакт с обработвания детайл, водейки до телесно нараняване.
- c) **Прилагайте налягане само в права линия по отношение на свредлото и не прилагайте прекомерно налягане.** Свредлата могат да се огънат, причинявайки счупване или загуба на контрол, водейки до телесно нараняване.

ОБЩИ

- Прахът от някои материали, като например съдържаща олово боя, някои видове дървесина, минерали и метали може да бъде вреден (контакт или вдишване на такъв прах могат да причинят алергични реакции и/или респираторни заболявания на оператора или стоящите наблизо лица); **използвайте противопрахова маска и работете с аспириращо прахта устройство, когато такова може да бъде свързано**
- Определени видове прах са класифицирани като карциногенни (като прах от дъб и бук) особено когато са комбинирани с добавки за подобряване на състоянието на дървесината; **използвайте противопрахова маска и работете с аспириращо прахта устройство, когато такова може да бъде свързано**
- Следвайте дефинираните по БДС изисквания относно запрашеността за материалите, които желаете да обработвате
- **Не обработвайте азбестосъдържащ материал (азбестът е канцерогенен)**

- Убедете се че ключа К ② е в средно (блокирано) положение, преди да направите каквито и да релгажи или смени на консумативите или когато транспортирате или прибирате инструмента

АНКСОАРИ

- SKIL може да осигури безаварийна работа на електроинструмента само ако се използват оригинални допълнителни приспособления
- Използвайте само принадлежности, чиято допустима скорост на въртене е погояла или равна на максималната скорост на въртене на празен ход на електроинструмента

ПРЕДИ УПОТРЕБА

- Избягвайте повреди, които могат да бъдат причинени от винтове, гвоздеи и други метални елементи в обработвания детайл; отстранете ги преди да започнете работа
- Преди включване на зарядното устройство в контакта се уверете, че мрежовото напрежение отговаря на напрежението, обозначено на фирмената табелка на зарядното устройство
- **Обезопасете работния материал** (материал, затегнат в затягащ инструмент или в менгеме е по-устойчив, отколкото ако се държи в ръка)
- **За да откриете скрити под повърхността електро-, водо- и газопроводи, използвайте подходящи уреди или се обърнете към местното снабдително дружество** (прекъсването на електропроводници под напрежение може да предизвика пожар и/или токов удар; увреждането на газопровод може да предизвика експлозия; засягането на водопровод може да предизвика значителни материални щети и/или токов удар)

ПРИ УПОТРЕБА

- При електрическа или механична повреда незабавно спрете електроинструмента или изключете зарядното устройство от захранващата мрежа

БАТЕРИИ

- **Идващата в комплекта батерия е частично заредена** (за да осигурите пълен капацитет на батерията, заредете напълно батерията в зарядното устройство за батерия, преди да използвате вашия електроинструмент за първи път)
- **Използвайте само следните батерии и зарядни устройства с този инструмент**
 - SKIL батерия: BR1*31****
 - SKIL зарядно устройство: CR1*31****
- Не използвайте батерията, когато е повредена; тя трябва да бъде заменена
- Не разглобявайте батерията
- Не излагайте на дъжд инструмента/батерията
- Допустима околна температура (инструмент/ зарядното устройство/батерия):
 - при зареждане 4...40°C
 - по време на работа -20...+50°C
 - при съхраняване -20...+50°C

ОБЯСНЕНИЕ НА СИМВОЛИТЕ ПО ИНСТРУМЕНТА/ АКУМУЛАТОРНАТА БАТЕРИЯ

- ③ Преди употреба прочетете ръководството с указания
- ④ Хвърлен в огън, акумулаторът ще експлодира, така че не изгаряйте акумулатора по каквато и да е причина
- ⑤ Съхранявайте инструмента/зарядното устройство/ батерията в помещениа при температури, не по-високи от 50°C

- ⑥ Не извърляйте електроуредите и батерии заедно с битови отпадъци

УПОТРЕБА

- Комбиниран бутон за вклрчване/изклрчване и управление на скоростта А ②
 - управлението на скоростта от нула до максималната стойност се извършва като натискате прекъсвача по-силно или по-слабо
- Зареджване на акумулатора
 - ! прочетете предупрежденията и инструкциите за безопасност, доставени със зарядното устройство
- Изваждане/поставяне на батерията ②
- Закрепване на щипка за колан ⑦
 - закрепете щипката за колан L към свредлото с идващия в комплекта винт.
- Индикатор за капацитета на батерията ⑧
 - натиснете бутона за индикатор на нивото на заряд на батерията N за показване на текущото ниво на заряд на батерията ⑧а
 - ! когато най-ниско ниво на индикатора за заряд на батерията започне да мига след натискане на бутона N ⑧b, батерията е празна
 - ! когато 2 нивата на индикатора за заряд на батерията започнат да мигат след натискане на бутона N ⑧с, батерията не е в допустимия работен температурен диапазон
- Светодиодна светлина M ⑬
 - Светодиодната лампа M автоматично светва, когато се активира превключвателя A
 - ! когато светодиодът започне да мига, защитата на батерията е активирана (вижте по-долу)
- Защита на батерията
 - Инструментът внезапно се изключва или не позволява да се включи, когато
 - натоварването е преналято голямо --> премахнете натоварването и рестартирайте
 - температурата на батерията е извън допустимия работен температурен диапазон от -20 до +50°C --> 2 нивата на индикатора за заряд на батерията започват да мигат, когато натискате бутона N ⑧с; изчакайте, докато батерията си възвърне допустимия работен температурен диапазон
 - батерията е почти празна (за предпазване срещу пълно разреждане) --> ниско ниво на батерията или мигащо ниско ниво на батерията ⑧b е показано чрез индикатора за заряд на батерията, когато натискате бутона N; заредете батерията
 - ! след автоматичното изключване на инструмента не продължавайте да натискате спусък, понеже може да се повреди акумулаторът
- Обръщане на посоката на въртене ⑨
 - ако лостът не е точно в положение включване/изключване, спусъкът А ② не може да бъде активиран
 - ! обръщайте посоката на въртене само когато електроинструментът е напълно спрял
- Смяна на бит ⑩
 - ! не използвайте бит с повредена опашка

- Управление на въртящия момент (VariTorque) ⑪
 - изходният въртящ момент ще се увеличи при завъртане на пръстена B на патронника от 1 до 17
 - при завиване на винт първо опитайте позиция 1 на съединителя VariTorque и след това увеличете въртящия момент, докато достигнете желаната дълбочина
 - позиция F ще блокира патронника, за да позволи пробиване (не ударно) или завиване при тежки условия
 - позиция D ще блокира патронника, за да позволи само ударно пробиване
 - ! гарантирайте, че превключвателят за предавките B е в позиция 2, когато пръстенът на патронника C е в позиция за ударно пробиване
 - ! не използвайте позиция за ударно пробиване D за пробиване в дърво, метал, керамика и пластмаса, за да предотвратите повреда на найкрайника за пробиване/завинтване
- Механичен редуктор ⑫
 - поставете превключвателя G на желаната скорост
 - ! задействайте превключвателя за предавките, когато инструментът работи бавно
- 1
 - ниска скорост
 - голям въртящ момент
 - като отвертка и за пробиване на големи диаметри
 - за нарязване на резба
- 2
 - висока скорост
 - по-малък въртящ момент
 - за ударно пробиване
 - за пробиване на малки диаметри
- Държане и насочване на инструмента ⑭
 - ! по време на работа, винаги дръжте уреда за осветената(ите) в сиво зона(и) за хващане за оставяте вентилационните отвори J ② непокрити
 - не прилагайте твърде голям натиск върху инструмента; нека той да свърши работата вместо вас

ПОДДРЪЖКА / СЕРВИЗ

- Този инструмент не е предназначен за професионална употреба
- Винаги поддържайте инструмента чист (особено вентилационните отвори H ②)
 - ! извадете батерията от инструмента преди почистване
- Ако въпреки прецизното производство и внимателно изпитване възникне повреда, инструмента да се занесе за ремонт в оторизиран сервиз за електроинструменти на SKIL
 - занесете инструмента в неразглобен вид заедно с доказателство за покупката му в търговския обект, откъдето сте го закупили, или в най-близкия сервиз на SKIL (адресите, както и схемата за сервизно обслужване на електроинструмента, можете да намерите на адрес www.skil.com)
- Имайте предвид, че повреда поради претоварване или неправилно манипулиране с инструмента ще бъдат изключени от гаранцията (за условията на гаранцията от SKIL виж на интернет адрес: www.skil.com или попитайте вашия дилър)

УКАЗАНИЯ ЗА РАБОТА

- Използвайте подходящи бит (15)
! използвайте само остри бит
- При пробиване на цветни метали
 - ако ви трябва голям отвор, първо пробийте малък
 - от време на време смазвайте свредлата с машинно масло
- При завиване на винт в близост до ръба на дървен детайл първо пробийте отвор, за да избегнете откъртване на дървото
- За оптимална работа на електроинструмента е необходим постоянен натиск върху винта, включително при развиване
- При завиване на винтове в твърдо дърво първо пробийте отвор
- Пробиване в дърво без откъртване на ръбчето (16)
- Безпрахово пробиване в стени (17)
- Безпрахово пробиване в тавани (18)
- Пробиване на керамични плочки без плъзгане на свредлото (19)
- За повече информация вижте www.skil.com

ОПАЗВАНЕ НА ОКОЛНАТА СРЕДА

- **Не изхвърляйте електроуредите, батерии, приспособленията и опаковките заедно с битови отпадъци** (само за страни от ЕС)
 - съобразно Директивата на ЕС 2012/19/EG относно износени електрически и електронни уреди и отразяването ѝ в националното законодателство износените електроуреди следва да се събират отделно и да се предават за рециклиране според изискванията за опазване на околната среда
 - за това указва символът (20) тогава когато трябва да бъдат унищожени
- **! преди да изхвърлите батерията, защитете изводите ѝ с дебела лепенка, за да няма опасност от възникване на късо съединение**

ШУМ / ВИБРАЦИИ

- Измерено в съответствие с EN 62841, нивото на звуковото налягане на този инструмент е 83,0 dB(A), а нивото на звуковата мощност 94,0 dB(A) (неопределеност K = 5 dB), и вибрацията * (триаксиална векторна сума; неопределеност K = 1,5 m/s²)
 - * при пробиване в метал <2,5 m/s²
 - * при ударно пробиване в бетон 7,9 m/s²
- Нивото на предадените вибрации е измерено в съответствие със стандартизирания тест, определен в EN 62841; то може да се използва за сравнение на един инструмент с друг и като предварителна оценка на подлагането на вибрации при използването на инструмента за посочените приложения
 - използването на инструмента за различни от тези приложения или с други, или лошо поддръжкани аксесоари може значително **да повиши** нивото на което сте подложени
 - периодите от време, когато инструмента е изключен или съответно включен, но с него не се работи в момента могат значително **да намалят** нивото на което сте подложени

! предпазвайте се от ефектите от вибрациите, като поддържате инструмента и аксесоарите му, пазете ръцете си топли и организирате вашите модели на работа

SK

Akumulátorový príklepová 3018/3020 vrtáčka/skrutkovač

ÚVOD

- Tento nástroj je určený na príklepové vrtanie do tehál ako aj na vrtanie do dreva, do kovu, keramiky a materiálov z umelých hmôt; nástroje s elektronickým reguláciou rýchlostia s rotáciou doprava/dolava sú tiež vhodné na skrutkovanie a rezanie závitov
- Tento nástroj nie je vhodný pre profesionálne použitie
- Prečítajte a uschovajte tento návod na použitie (3)

TECHNICKÉ ÚDAJE (1)

Max. krútiaci moment tvrdé ukončenie skrutkovania podľa ISO 5393 : 55Nm

ČASTI NÁSTROJA (2)

- A** Prepínač zapnúť/vypnúť a regulácia rýchlosti
- B** Krúžok na riadenie krútiaceho momentu
- C** Prepínač na zmenu funkcie
- D** Poloha na príklepové vrtanie
- E** Poloha na vrtanie
- F** Poloha na skrutkovanie
- G** Prepínač rýchlostných stupňov
- H** Indikátor zvoleného smeru otáčania
- J** Vetracie štrbiny
- K** Prepínač na zmenu smeru otáčania
- L** Spona na opask
- M** LED-Kontrolka
- N** Indikátor nabitia akumulátora

BEZPEČNOSŤ

VŠEOBECNÉ BEZPEČNOSTNÉ UPOZORNENIA TÝKAJÚCE SA ELEKTRICKÉHO NÁRADIA

⚠ VÝSTRAHA Prečítajte si všetky bezpečnostné výstrahy, pokyny, ilustrácie a technické údaje, ktoré sú dodané s týmto elektrickým nástrojom. Nedodržanie všetkých nižšie uvedených pokynov môže viesť k poraneniu elektrickým prúdom, požiaru a/alebo vážnemu poraneniu.

Všetky upozornenia a pokyny si odložte na ďalšie použitie.

Pojem „elektrické náradie“ používaný v nasledujúcom texte sa vzťahuje na ručné elektrické náradie napájané zo siete (s prívodnou šnúrou) a na ručné elektrické náradie napájané akumulátorovou batériou (bez prívodnej šnúry).

1) BEZPEČNOSŤ NA PRACOVISKU

- a) **Udržiavajte svoje pracovisko čisté a upratané.** Neporiadok na pracovisku alebo neosvetlené časti pracoviska môžu viesť k úrazom.

- b) **Nepracujte elektrickým náradím v prostredí ohrozenom výbuchom, v ktorom sa nachádzajú horľavé kvapaliny, plyny alebo prach.** Elektrické náradie produkuje iskry, ktoré môžu prach alebo pary zapáliť.
 - c) **Deti a iné osoby udržiavajte počas práce od ručného elektrického náradia v dostatočnej vzdialenosti.** V prípade odpútania Vašej pozornosti by ste mohli stratiť kontrolu nad náradím.
- 2) ELEKTRICKÁ BEZPEČNOSŤ**
- a) **Zástrčka prírodnej šnúry sa musí hodiť do napájacej zásuvky. Zástrčka sa v žiadnom prípade nesmie meniť. Pri uzemnených spotrebičoch nepoužívajte spolu s nimi žiadne adaptéry.** Nezmenená zástrčka a vhodná zásuvka znižujú riziko zásahu elektrickým prúdom.
 - b) **Vyhýbajte sa telesnému kontaktu s povrchovými plochami uzemnených spotrebičov, ako sú elektrické rúry, vyhrievacie telesá, sporáky a chladničky.** Keď je Vaše telo uzemnené, riziko zásahu elektrickým prúdom je vyššie.
 - c) **Chráňte ručné elektrické náradie pred dažďom a vlhkom.** Vniknutie vody do ručného elektrického náradia zvyšuje riziko zásahu elektrickým prúdom.
 - d) **Nepoužívajte prírodnú šnúru na prenášanie náradia, na jeho vešanie, ani za ňu nevyťahujte zástrčku zo zásuvky. Prírodnú šnúru chráňte pred horúčavou, olejom, ostrými hranami alebo pohybujúcimi sa časťami náradia.** Poškodené alebo zauzlené šnúry zvyšujú riziko zásahu elektrickým prúdom.
 - e) **Ak pracujete s ručným elektrickým náradím vonku, používajte len také predlžovacie šnúry, ktoré sú schválené pre používanie vo vonkajších priestoroch.** Používanie predlžovacej šnúry určenej do vonkajšieho prostredia znižuje riziko zásahu elektrickým prúdom.
 - f) **Ak sa nedá vyhnúť použitiu ručného elektrického náradia vo vlhkom prostredí, použite prerušovač uzemňovacieho obvodu.** Používanie prerušovača uzemňovacieho obvodu znižuje riziko zásahu elektrickým prúdom.
- 3) BEZPEČNOSŤ OSÔB**
- a) **Buďte pozorní, dávajte pozor na to, čo robíte a k práci s elektrickým náradím pristupajte rozumne. Nepoužívajte elektrické náradie, keď ste unavení alebo keď ste pod vplyvom drog, alkoholu alebo liekov.** Chvíľa nepozornosti pri používaní náradia môže viesť k vážnym poraneniam.
 - b) **Noste osobné ochranné pomôcky, ochranný odev a vždy majte nasadené ochranné okuliare.** Nosenie pracovného odevu a používanie ochranných pomôcok ako ochrannej dýchacej masky, bezpečnostných protišmykových topánok, prilby alebo chrániča sluchu, podľa druhu elektrického náradia, znižuje riziko poranenia.
 - c) **Vyhýbajte sa neúmyselnému uvedeniu ručného elektrického náradia do činnosti. Pred zasunutím zástrčky do zásuvky a/alebo pred pripojením akumulátora, pred chytením alebo prenášaním ručného elektrického náradia sa vždy presvedčte sa, či je ručné elektrické náradie vypnuté.** Ak budete mať pri prenášaní ručného elektrického náradia prst na vypínači, alebo ak ručné elektrické náradie pripojíte

- na elektrickú sieť zapnuté, môže to mať za následok nehodu.
 - d) **Skôr ako ručné elektrické náradie zapnete, odstráňte nastavovacie a montážne nástroje.** Nástroj alebo kľúč, ktorý sa nachádza v pohyblivej časti náradia, môže spôsobiť poranenie.
 - e) **Neprečeňte sa. Zabezpečte si pevný postoj a neprestajne udržiavajte rovnováhu.** Takto budete môcť ručné elektrické náradie v neočakávaných situáciách lepšie kontrolovať.
 - f) **Pri práci noste vhodný pracovný odev. Nenoste široké odevy a nemajte na sebe šperky.** Vyvarujte sa toho, aby sa vaše vlasy a odev dostali do blízkosti pohyblivých častí. Voľný odev, dlhé vlasy alebo šperky môžu byť zachytené rotujúcimi časťami ručného elektrického náradia.
 - g) **Ak možno namontovať zariadenie na odsávanie plocho zachytávanie prachu, presvedčte sa, či je pripojené a správne používané.** Používanie odsávacieho zariadenia a zariadenia na zachytávanie prachu znižuje riziko ohrozenia zdravia prachom.
 - h) **Nepodliehajte falošnému pocitu istoty získanej z častého používania náradia a nekonajte v rozpore s princípmi bezpečného používania náradia.** Nepozorná práca môže v priebehu zlomkov sekundy viesť k ťažkému poraneniu.
- 4) STAROSTLIVÉ ZAOBCHÁDZANIE S ELEKTRICKÝM NÁRADÍM A JEHO POUŽÍVANIE**
- a) **Náradie nepreťažujte. Pre svoju prácu používajte určené elektrické náradie.** Pomocou vhodného ručného elektrického náradia budete môcť v uvedenom rozsahu výkonu pracovať lepšie a bezpečnejšie.
 - b) **Nepoužívajte žiadne ručné elektrické náradie, ktoré má pokazený vypínač.** Ručné elektrické náradie, ktoré sa už nedá zapínať alebo vypínať, je nebezpečné a treba ho dať opraviť.
 - c) **Skôr ako začnete náradie nastavovať alebo prestavovať, vymieňať príslušenstvo alebo ako odložíte náradie, vždy vytiahnite koncovku sieťovej šnúry zo zásuvky a/alebo vyberte akumulátor, ak sa dá vybrať.** Toto preventívne opatrenie zabraňuje neúmyselnému spusteniu ručného elektrického náradia.
 - d) **Nepoužívané ručné elektrické náradie uschováajte mimo dosahu detí. Nedopustte, aby ručné elektrické náradie používali osoby, ktoré s ním nie sú dôkladne oboznámené, alebo ktoré si neprečítali tento Návod na používanie.** Ak ručné elektrické náradie používajú neskusené osoby, stáva sa nebezpečným nástrojom.
 - e) **Ručné elektrické náradie a príslušenstvo starostlivo ošetrujte. Skontrolujte, či pohyblivé súčiastky náradia bezchybne fungujú a neblokujú a či nie sú zlomené alebo poškodené niektoré súčiastky, ktoré by mohli negatívne ovplyvniť fungovanie ručného elektrického náradia. Pred použitím ručného elektrického náradia dajte poškodené súčiastky opraviť.** Nejedyn úraz bol spôsobený zle udržiavaným náradím.
 - f) **Používané nástroje udržiavajte ostré a čisté.** Starostlivo ošetrované nástroje s ostrými reznými hranami sa menej často zablokujú a ich vedenie je podstatne ľahšie.
 - g) **Používajte ručné elektrické náradie, príslušenstvo, pracovné nástroje a pod. podľa týchto pokynov.**

Zohľadnite prítom konkrétne pracovné podmienky a činnosť, ktorú máte vykonať. Používanie ručného elektrického náradia na iné ako určené účely môže viesť k nebezpečným situáciám.

- h) **Rukováti a úchopové povrchy udržiavajte suché, čisté a bez oleja alebo mazacieho tuku.** Šmykľavé rukováti a úchopové povrchy neumožňujú bezpečnú manipuláciu a ovládanie náradia v neočakávaných situáciách.
- 5) **STAROSTLIVÉ ZAOBCHÁDZANIE S ELEKTRICKÝM NÁRADÍM NAPÁJANÝM AKUMULÁTOROM A JEHO POUŽÍVANIE**
- a) **Akumulátory nabíjajte len v takých nabíjačkách, ktoré odporúča výrobca.** Ak nabíjate nabíjačkou určenou pre určitý druh akumulátorov iné akumulátory, hrozi nebezpečenstvo požiaru.
- b) **Do ručného elektrického náradia používajte len určené akumulátory.** Používanie iných akumulátorov môže mať za následok poranenie, alebo môže spôsobiť vznik požiaru.
- c) **Keď akumulátor nepoužívate, zabezpečte, aby sa nemohol dostať do styku s kancelárskymi sponami, mincami, kľúčmi, klincami, skrutkami alebo inými drobnými predmetmi, ktoré by mohli spôsobiť premostenie kontaktov.** Skrat medzi kontaktmi akumulátora môže spôsobiť popálenie alebo požiar.
- d) **Ak sa akumulátor používa nevhodne, môže z neho uniknúť kvapalina. Vyhnajte sa kontaktu s ňou. V prípade náhodného kontaktu umyte postihnuté miesto vodou. Ak sa dostane akumulátorová kvapalina do očí, vyhľadajte okrem toho aj lekársku pomoc.** Vytekajúca kvapalina môže spôsobiť podráždenie pokožky alebo popálenie.
- e) **Nepoužívajte poškodený alebo upravovaný akumulátor alebo náradie.** Poškodené alebo upravované akumulátory môžu neočakávane reagovať a spôsobiť požiar, výbuch alebo zranenie.
- f) **Akumulátory alebo náradie nevhadzujte do ohňa alebo nevystavujte nadmerným teplotám.** Vystavenie pôsobeniu ohňa alebo teploty nad 130°C môže spôsobiť výbuch.
- g) **Dodržujte pokyny na nabíjanie a akumulátory alebo náradie nenabíjajte mimo teplotného rozsahu uvedeného v pokynoch.** Nesprávne nabíjanie alebo teploty mimo špecifikovaného rozsahu môžu poškodiť akumulátor a zvýšiť riziko požiaru.
- 6) **SERVIS**
- a) **Ručné elektrické náradie zverte do opravy len kvalifikovanému personálu a používajte len originálne náhradné súčiastky.** Tým sa zabezpečí zachovanie bezpečnosti ručného elektrického náradia.
- b) **Nikdy neopravujte poškodené akumulátory.** Akumulátory môže opravovať len výrobca alebo autorizovaný servis.

BEZPEČNOSTNÉ POKYNY PRE AKUMULÁTOROVÝ VRTACÍ SKRUTKOVÁČ

- 1) **BEZPEČNOSTNÉ POKYNY PRE VŠETKY ČINNOSTI**
- a) **Pri priklepovom vrtaní používajte chrániče sluchu.** Vystavenie hluku môže spôsobiť stratu sluchu.
- b) **Elektrické náradie držte za izolované plochy rukováti pri vykonávaní takej práce, pri ktorej by rezacie príslušenstvo alebo upevňovací prvok**

mohli natrafiť na skryté elektrické vedenia. Kontakt rezacieho príslušenstva alebo upevňovacieho prvku s vedením, ktoré je pod napätím, spôsobí, že aj kovové súčiastky náradia sa dostanú pod napätie, čo môže spôsobiť zásah operátora elektrickým prúdom.

2) BEZPEČNOSTNÉ POKYNY PRI POUŽÍVANÍ DLHÝCH VRTÁKOV

- a) **Nikdy nepracujte pri vyššej rýchlosti, ako je maximálna menovitá rýchlosť vrtáka.** Pri vyšších rýchlostiach sa vrták môže ohnúť, keď sa točí voľne bez kontaktu s obrobkom.
- b) **Vždy začnite vrtáť pri nízkej rýchlosti a pri kontakte špičky vrtáka s obrobkom.** Pri vyšších rýchlostiach sa vrták môže ohnúť, keď sa točí voľne bez kontaktu s obrobkom.
- c) **Aplikujte tlak len v priamom smere so špičkou a nevyvíjajte nadmerný tlak.** Vrtáky sa môžu ohnúť a zlomiť sa alebo spôsobiť stratu kontroly a následne spôsobiť zranenie.

VŠEOBECNE

- Prach z materiálu, akým je náter obsahujúci olovo, niektoré druhy dreva, minerály a kovy môže byť škodlivý (styk alebo nadýchanie prachu môže spôsobiť alergické reakcie a/alebo respiračné ochorenia obsluhy a okolostojacich osôb); **používajte ochrannú masku tváre a pracujte so zariadením na odsávanie prachu, ak je takéto zariadenie možné pripojiť**
- Určité druhy prachu sú klasifikované ako karcinogénne (akým dubový a bukový prach), a to hlavne v spojení s prísadami pre úpravu dreva; **používajte ochrannú masku tváre a pracujte so zariadením na odsávanie prachu, ak je takéto zariadenie možné pripojiť**
- Dodržujte stanovené nariadenia pre prácu v prašnom prostredí
- Neobrábajte materiál, ktorý obsahuje azbest** (azbest sa považuje za rakovinotvorný materiál)
- Zabezpečte, aby prepínač K (2) bol v strednej (uzamknutej) polohe skôr ako budete nástroje nastavovať alebo meniť príslušenstvo ako aj pred nesením alebo každým odložením nástroja

PRÍSLUŠENSTVO

- SKIL zabezpečí hladký chod nástroja len ak sa používa pôvodné príslušenstvo
- Používajte iba príslušenstvo, u ktorého hodnota príпустných obrátok zodpovedá minimálne najvyšším obrátkam náradia

PRED POUŽITÍM

- Zabránite poškodeniu náradia skrutkami, klincami a inými kovovými predmetmi v obrobku; zoberte ich dole prv než začnete pracovať
- Vždy skontrolujte či je napájacie napätie rovnaké ako napätie uvedené na štítku nabíjačky
- Zaistite obrábaný diel** (obrábaný diel uchytýny pomocou upínacích zariadení alebo vo zveráku je oveľa bezpečnejší kým v ruke)
- Na vyhľadanie skrytých elektrických vedení, plynových a vodovodných potrubí použite vhodné hľadacie prístroje, alebo sa spojte s príslušným dodávateľom** (kontakt s elektrickým vedením môže mať za následok vznik požiaru alebo spôsobiť zásah elektrickým prúdom; poškodenie plynového potrubia môže spôsobiť výbuch; prevrtanie vodovodného potrubia spôsobí vecné škody, alebo môže spôsobiť zásah elektrickým prúdom)

POČAS PRÁCE

- V prípade elektrickej alebo mechanickej poruchy okamžite nástroje vypnite, alebo vytiahnite nabíjačku zo zásuvky

BATÉRIÍ

- **Dodaná akumulátorová batéria je čiastočne nabitá** (na zarúčenie úplnej kapacity batérie ju pred prvým používaním nástroja úplne nabíjajte v nabíjačke)
- **S týmto nástrojom používajte len nasledujúce batérie a nabíjačky**
 - Batéria SKIL: BR1*31****
 - Nabíjačka SKIL: CR1*31****
- Nepoužívajte batériu, keď je poškodená; mala by sa vymeniť
- Batériu nerozoberajte
- Nástroj ani batériu nevystavujte dažďu
- Povolená teplota okolia (nástroj/nabíjačka/akumulátor):
 - pri nabíjaní 4...40°C
 - pri prevádzke -20...+50°C
 - pri skladovaní -20...+50°C

VYSVETLENIE SYMBOLOV UMIESTNENÝCH NA NÁSTROJI/AKUMULÁTORE

- ③ Pred použitím si prečítajte návod na obsluhu
- ④ Batérie po vhození do ohňa vybuchnú a preto batériu zo žiadneho dôvodu do ohňa nevhadzujte
- ⑤ Nástroj, nabíjačku a batériu skladujte na miestach, kde teplota neprekročí 50°C
- ⑥ Nevyhadzujte elektrické náradie a batérie do komunálneho odpadu

POUŽITIE

- Kombinovany prepínač pre zapínanie/vypínanie a reguláciu rýchlosti A ②
 - rýchlosť regulujete neprerušene od 0 do maxima tým, že vyvíjate menší alebo väčší tlak na spínač
- Nabíjanie batérie
 - ! **prečítajte si bezpečnostné výstrahy a pokyny dodané s nabíjačkou**
- Vybratie/vloženie batérie ②
- Pripevnenie spony na opasok ⑦
 - pripevnite sponu na opasok L k vrtáčke dodávanou skrutkou.
- Indikátor nabitia akumulátora ⑧
 - Stlačením tlačidla indikátora úrovne nabitia batérie N zobrazíte aktuálnu úroveň nabitia batérie ③a
 - ! **Keď po stlačení tlačidla N ③b začne blikať indikátor najnižšej úrovne nabitia batérie, znamená to, že batéria je prázdna**
 - ! **Keď začne blikať indikátor úrovni nabitia batérie 2 po stlačení tlačidla N ③c, znamená to, že batéria nemá povolený rozsah prevádzkových teplôt**
- LED-Kontrolka M ⑩
 - LED-kontrolka M sa zapne automaticky po stlačení vypínača A
 - ! **Keď začne LED kontrolka blikať, aktivuje sa ochrana batérie (pozri nižšie)**
- Ochrana batérie
 - Nástroj sa náhle vypína alebo sa nedá zapnúť v prípade, že
 - **záťaž je príliš vysoká** --> odstráňte záťaž a reštartujte ho
 - **batéria nemá povolený rozsah prevádzkových teplôt od -20 do +50 °C** --> indikátor úrovni nabitia batérie 2 začne po stlačení tlačidla N ③c blikať;

počkajte, kým teplota batérie znova neklesne do povoleného prevádzkového rozsahu

- **batéria je takmer vybitá (v záujme zaistenia ochrany pred hlbokým vybitím)** --> batéria ukazuje nízku úroveň nabitia alebo indikátor nízkej úrovne nabitia batérie ③b po stlačení tlačidla N bliká; batériu nabíjate

! **potom ako sa nástroj automaticky vypne, nestláčajte tlačidlo zapnúť/vypnúť, môže sa poškodiť batéria**

- Zmena smeru otáčania ⑨
 - ak nie je správne nastavená v polohe vľavo/vpravo, spínač A ② sa nedá aktivovať
 - ! **zmeňte smer otáčania len keď je nástroj úplne nečinný**
- Ako vymeniť hroty ⑩
- **! nepoužívajte hroty s poškodenou stopkou**
- Riadenie krútiaceho momentu (VariTorque) ⑪
 - výstupný moment bude rásť, keď sa krúžok skľučovadla B otáča od 1 po 17
 - keď zaŕahujete skrutku, najprv sa pokúste s polohou skľučovadla VariTorque 1 a zvyšujte to, kým sa nedosiahne požadovaná hľbka
 - v polohe F sa skľučovadlo zaistí tak, aby umožňovalo vrtanie (bez príklepu) alebo pohon pri veľmi tvrdom obrobu
 - v polohe D sa skľučovadlo zaistí tak, aby umožňovalo len príklepové vrtanie
 - ! **dbajte na to, aby prepínač rýchlostných stupňov B bol v polohe 2, keď je krúžok skľučovadla C v polohe príklepového vrtania**
 - ! **nepoužívajte polohu príklepového vrtania D na vrtanie dreva, kovu, keramiky a plastu, aby sa zabránilo poškodeniu vrtáčky alebo vrtáka**
- Mechanické prepínanie rýchlostných stupňov ⑫
 - nastavte prepínač G na požadovanú rýchlosť
 - ! **s prepínačom rýchlostných stupňov manipulujte, keď sa náradie otáča pomaly**
 - 1
 - pomalá rýchlosť
 - vysoké momenty
 - pre skrutkovanie a vrtanie veľkých priemerov
 - pre rezanie vnútorných závitov
 - 2
 - vysoká rýchlosť
 - nízke momenty
 - na príklepové vrtanie
 - na vrtanie malých priemerov
- Držanie a vedenie nástroja ⑭
 - ! **počas práce vždy držte nástroj v oblasti sivého držadla(iel)**
 - vetracie štrbiny J ② udrzte nezakryté
 - na nástroje príliš netlačte; nechajte nástroje robiť prácu za Vás

ÚDRŽBA / SERVIS

- Tento nástroj nie je vhodný pre profesionálne použitie
- Nástroj neustále udrzte čistý (najmä vetracie štrbiny H ②)
 - ! **pred čistením vyberte akumulátor z nástroja**
- Ak by nástroj napriek starostlivej výrobe a kontrole predsa len prestal niekedy fungovať, treba dať opravu vykonať autorizovanej servisnej opravovni elektrického

náradia SKIL

- pošlite nástroj **bez rozmontovania** spolu s dôkazom o kúpe; vášmu dilerovi alebo do najbližšieho servisného strediska SKIL (zoznam adries servisných stredísk a servisný diagram nástroja sú uvedené na www.skil.com)
- Uvedomte si, že poškodenie spôsobené preťažením alebo nesprávnym zaobchádzaním bude zo záruky vylúčené (záručné podmienky spoločnosti SKIL nájdete na stránke www.skil.com alebo si ich vyžiadajte u svojho predajcu)

RADA NA POUŽITIE

- Používajte vhodné hroty ⁽¹⁵⁾
! používajte len ostré hroty
- Vrtanie železných kovov
 - keď je treba vyvrtáť väčšiu dieru, najskôr predvrtajte menšiu dieru
 - natrite vrtacie hroty z času na čas olejom
- Pri zaťahovaní skrutky v blízkosti rezu alebo na hrane dreva by sa mala predvrtáť diera, aby sa zabránilo prasknutiu dreva
- Pre optimálne použitie nástroja sa vyžaduje rovnomerný tlak na skrutku, hlavne pri vyberaní
- Pri zaskrutkovaní do tvrdého dreva by sa mala predvrtáť diera
- Vrtanie do dreva bez triesok ⁽¹⁶⁾
- Bezprachové vrtanie do tehál ⁽¹⁷⁾
- Bezprachové vrtanie do stropov ⁽¹⁸⁾
- Vrtanie do kachličiek bez šmykania ⁽¹⁹⁾
- Ďalšie informácie nájdete na adrese www.skil.com

ŽIVOTNÉ PROSTREDIE

- **Elektrické náradie, batérie, príslušenstvo a balenia nevyhadzujte do komunálneho odpadu** (len pre štáty EÚ)
 - podľa európskej smernice 2012/19/EG o nakladaní s použitými elektrickými a elektronickými zariadeniami a zodpovedajúcich ustanovení právnych predpisov jednotlivých krajín sa použité elektrické náradie musí zbierať oddelene od ostatného odpadu a podrobiť ekologicky šetrnej recyklácii
 - pripomenie vám to symbol ⁽⁶⁾, keď ju bude treba likvidovať
- ! pred likvidáciou ochráňte vývody batérie hrubou páskou, aby ste zabránili skratu**

HLUK / VIBRÁCIE

- Hladina akustického tlaku nameraná v súlade s normou EN 62841 je 83,0 dB(A) a hladina akustického výkonu je 94,0 dB(A) (neistota K = 5 dB) a vibrácie * (trioxový vektorový súčet; neistota K = 1,5 m/s²)
*** pri vrtaní do kovu <2,5 m/s²**
*** pri vrtaní do betónu s príklepom 7,9 m/s²**
- Hladina emisií od vibrácií bola nameraná v súlade s normalizovaným testom uvedeným v norme EN 62841; môže sa používať na vzájomné porovnávanie náradí a na predbežné posúdenie vystavenia účinkom vibrácií pri používaní náradia pre uvedené aplikácie
 - používanie náradia na rôzne aplikácie, alebo v spojení s rôznymi alebo nedostatočne udržiavanými doplnkami môže značne **zvýšiť** úroveň vystavenia
 - časové doby počas ktorých je je náradie vypnuté alebo počas ktorých náradie beží ale v skutočnosti

nevykonáva prácu môžu značne **znižit** úroveň vystavenia

! chráňte sa pred účinkami vibrácií tak, že budete náradie a jeho príslušenstvo správne udržiavať, tak že nebudete pracovať so studenými rukami a tak že si svoje pracovné postupy správne zorganizujete

HR

Akumulátorská udarna 3018/3020 bušilica/odvíjač

UVOD

- Alat je predvían za udarno bušenje u opeku kao i za bušenje u drvo, metal, keramiku i plastiku; to je uređaj s elektronskom regulacijom broja okretaja i rotacijom desno/lijevo, te je prikladan za uvijanje/odvijanje vijaka, kao i za rezanje navoja
- Ovaj uređaj nije namijenjen profesionalnoj upotrebi
- Pažljivo pročitajte i sačuvajte ove upute za rukovanje ⁽³⁾

TEHNIČKI PODACI ⁽¹⁾

Max. zakretni moment za mekši slučaj uvijanja prema ISO 5393 : 55Nm

DIJELOVI ALATA ⁽²⁾

- A** Prekidač za uključivanje/isključivanje i za kontrolu brzine
- B** Prsten za odabir zakretnog momenta
- C** Prekidač za mijenjanje funkcije
- D** Položaj udarnog bušenja
- E** Položaj bušenja
- F** Položaj odvijanja odvijanjem
- G** Prekidač za biranje brzina
- H** Pokazivač odabranog smjera rotacije
- J** Otvori za strujanje zraka
- K** Prekidač za promjenu smjera rotacije
- L** Kopča za remen
- M** LED lampica
- N** Pokazivač stanja napunjenosti baterije

SIGURNOST

OPĆA SIGURNOSNA UPOZORENJA ZA ELEKTRIČNE ALATE

⚠ UPOZORENJE Pročitajte sva sigurnosna upozorenja, upute, ilustracije i specifikacije isporučene s ovim električnim alatom. Zbog nepriдрžavanja svih uputa koje su navedene u nastavku može doći do nastanka strujnog udara, požara i/ili teške ozljede.

Sva upozorenja i upute sačuvajte kao referencu za buduće upotrebe.

U daljnem tekstu korišten pojam "električni alat" odnosi se na električne alate s priključkom na električnu mrežu (s mrežnim kablom) i na električne alate s napajanjem iz aku baterije (bez mrežnog kabela).

1) SIGURNOST NA RADNOM MJESTU

- a) **Vaše radno područje održavajte čisto i uredno.**

Nered ili neosvijetljeno radno područje mogu doći do nezgoda.

- b) **S uređajem ne radite u okolini ugroženoj eksplozijom, u kojoj se nalaze zapaljive tekućine, plinovi ili prašina.** Električni alati proizvode iskre koje mogu zapaliti prašinu ili pare.
- c) **Djecu i ostale osobe držite dalje tijekom korištenja električnog alata.** Ako bi skrenuli pozornost sa posla mogli bi izgubiti kontrolu nad uređajem.

2) ELEKTRIČNA SIGURNOST

- a) **Priključni utikač uređaja treba odgovarati utičnici. Na utikaču se ni u kojem slučaju ne smiju izvoditi izmjene. Ne koristite adapterske utikače zajedno sa uređajima koji su zaštićeni uzemljenjem.** Originalni utikač i odgovarajuće utičnice smanjuju opasnost od električnog udara.
- b) **Izbjegavajte dodir tijela s uzemljenim površinama kao što su cijevi, centralno grijanje, štednjaci i hladnjaci.** Postoji povećana opasnost od električnog udara ako je vaše tijelo uzemljeno.
- c) **Držite uređaj dalje od kiše ili vlage.** Prodiranje vode u električni uređaj povećava opasnost od električnog udara.
- d) **Priključni kabel ne koristite za nošenje, vješanje ili za izvlačenje utikača iz utičnice. Držite kabel dalje od izvora topline, ulja, oštih rubova ili pomičnih dijelova uređaja.** Oštećen ili usukan kabel povećava opasnost od električnog udara.
- e) **Ako s električnim uređajem radite na otvorenom, koristite samo produžni kabel odobren za uporabu na otvorenom.** Primjena produžnog kabela prikladnog za uporabu na otvorenom smanjuje opasnost od električnog udara.
- f) **Ako se ne može izbjeći uporaba električnog alata u vlažnoj okolini, upotrijebite sigurnosna sklopka za propuštanje u zemlju.** Upotrebom sigurnosne sklopke za propuštanje u zemlju smanjuje se opasnost od električnog udara.

3) SIGURNOST LJUDI

- a) **Budite oprezni, pazite što činite i postupajte razumno kod rada s električnim alatom. Ne koristite uređaj ako ste umorni ili pod utjecajem opojnih sredstava, alkohola ili lijekova.** Trenutak nepažnje kod uporabe uređaja može doći do ozbiljnih ozljeda.
- b) **Nosite sredstva osobne zaštite i uvijek zaštitne naočale.** Nošenje sredstava osobne zaštite, kao što je zaštitna maska, sigurnosne cipele koje ne klize, zaštitne kacige ili štitnika za sluh, ovisno od vrste i primjene električnog alata, smanjuje opasnost od nezgoda.
- c) **Izbjegavajte nehotično puštanje u rad. Prije nego što ćete utaknuti utikač u utičnicu i/ili staviti aku-bateriju, provjerite je li električni alat isključen.** Ako kod nošenja električnog alata imate prst na prekidaču ili se uključen uređaj priključi na električno napajanje, to može dovesti do nezgoda.
- d) **Prije nego što uređaj uključite, uklonite alate za podešavanje ili vijčane ključeve.** Alat ili ključ koji se nalazi u rotirajućem dijelu uređaja može doći do nezgoda.
- e) **Ne precijenjujte svoje sposobnosti. Zauzmite siguran i stabilan položaj tijela i držite u svakom trenutku ravnotežu.** Na taj način možete uređaj bolje kontrolirati u neočekivanim situacijama.
- f) **Nosite prikladnu odjeću. Ne nosite široku odjeću ili nakit. Kosu i odjeću držite dalje od pomičnih**

dijelova. Široku odjeću, dugu kosu ili nakit mogu zahvatiti pomični dijelovi.

- g) **Ako se mogu montirati naprave za usisavanje i hvatanje prašine, provjerite da li su iste priključene i da li se pravilno koriste.** Primjena naprave za usisavanje može smanjiti ugroženost od prašine.
 - h) **Nemojte postati previše bezbrižni i zanemariti sigurnosne upute zato što alat često upotrebljavate i smatrate da ste ga dobro upoznali.** Samo jedan trenutak nepažnje dovoljan je za nastanak ozbiljnih ozljeda.
- ## 4) BRIŽLJIVA UPORABA ELEKTRIČNIH ALATA
- a) **Ne preopterećujte uređaj. Koristite za vaše radove za to predviđen električni alat.** S odgovarajućim električnim alatom radit ćete bolje i sigurnije, u navedenom području učinka.
 - b) **Ne koristite električni alat čiji je prekidač neispravan.** Električni alat koji se više ne može uključiti ili isključiti, opasan je i treba se popraviti.
 - c) **Alat prije podešavanja, izmjene pribora i odlaganja isključite iz izvora napajanja i/ili izvadite komplet baterije, ako se vadi iz uređaja.** Ovim mjerama opreza izbjeci će se nehotično uključivanje električnog alata.
 - d) **Nekorištene električne alate spremite izvan doseg djece. Ne dopustite da uređaj koriste osobe koje s njim nisu upoznate ili koje nisu pročitale upute za uporabu.** Električni alati su opasni ako ih koriste neiskusne osobe.
 - e) **Redovno održavajte električne alate i pribor. Kontrolirajte da li pomični dijelovi uređaja besprijekorno rade i da nisu zaglavljivi, te da li su dijelovi polomljeni ili tako oštećeni da negativno djeluju na funkciju uređaja. Popravite oštećene dijelove prije uporabe uređaja.** Mnoge nezgode imaju svoj uzrok u loše održavanim uređajima.
 - f) **Rezne alate održavajte oštrom i čistim.** Pažljivo održavani rezni alati s oštrom oštricom neće se zaglaviti i lakši su za vođenje.
 - g) **Koristite električne alate, pribor, radne alate, itd., prema navedenim uputama. Pri tome uzmite u obzir radne uvjete i radove koje se izvode.** Uporaba električnih alata za neke druge primjene različite od predviđenih, može doći do opasnih situacija.
 - h) **Drške i zahvatne površine održavajte suhima, čistima i pazite da na njih ne dospiju ulje ili mast.** Skliske drške i zahvatne površine onemogućuju sigurno rukovanje i alat se teško kontrolira u neočekivanim situacijama.
- ## 5) BRIŽLJIVA UPORABA AKUMULATORSKIH UREĐAJA
- a) **Aku-baterije punite samo s punjačima koje preporučuje proizvođač.** Punjač koji je prikladan za jednu određenu vrstu aku-baterije, postoji opasnost od požara ako bi se koristio s nekom drugom aku-baterijom.
 - b) **Koristite isključivo samo aku-baterije koje su za određene električne alate predviđene.** Uporaba neke druge aku-baterije može doći do ozljeda i opasnosti od požara.
 - c) **Nekorištenu aku-bateriju držite dalje od uredskih spajalica, kovanica, ključeva, čavala, vijaka ili drugih sitnih metalnih predmeta koji bi mogli prouzročiti premošćenje, kontakata.** Kratki spoj između kontakata aku-baterije može doći do opekлина ili do požara.
 - d) **Kod pogrešne primjene aku-baterije tekućina može iz nje isticati. Izbjegavajte dodir s ovom tekućinom.**

Kod slučajnog dodira s tekućinom, odmah s vodom isprati. Ako bi tekućina dospjela u oči, odmah zatražite liječničku pomoć. Istekla tekućina može doći do nadražaja kože ili opekline.

- e) **Ne upotrebljavajte oštećene ili izmijenjene kompletne baterija ni alate.** Oštećene ili izmijenjene baterije podložne su nepredvidivom ponašanju i mogu uzrokovati požar, eksploziju ili ozljede.
 - f) **Držite alat i komplet baterija dalje od vatre i visokih temperatura.** Izlaganje vatri ili temperaturi višoj od 130°C može uzrokovati eksploziju.
 - g) **Poštujte sve upute za punjenje i komplet baterija i alat ne punite pri temperaturama izvan vrijednosti koje su propisane i navedene u uputama.** Nepravilno punjenje ili punjenje pri temperaturama višim od propisanih može oštetiti bateriju i povećati opasnost od požara.
- 6) SERVISIRANJE**
- a) **Popravak uređaja prepustite samo kvalificiranom stručnom osoblju i samo s originalnim rezervnim dijelovima.** Na taj će se način postići održanje stalne sigurnosti uređaja.
 - b) **Nikada ne servisirajte oštećene kompletne baterija.** Servisiranje kompleta baterija smiju obavljati isključivo proizvođači i ovlašteni serviseri.

UPUTE ZA SIGURAN RAD ZA AKUMULATORSKI BUŠILICA/ODVIJAČIMA

1) SIGURNOSNE UPUTE ZA SVE RADNJE

- a) **Nosite štitnike za uši tijekom udarnog bušenja.** Izlaganje buci možete prouzročiti gubitak sluha.
- b) **Kada izvodite neku radnju gdje rezni pribor ili pričvršćivač mogu dotaknuti skriveno ožičenje, pridržavajte električni alat po izoliranim zahvatnim površinama.** Rezni pribor i pričvršćivači u kontaktu sa žicom pod naponom izložene metalne dijelove električnog alata mogu također staviti pod napon, zbog čega rukovatelj može doživjeti strujni udar.

2) SIGURNOSNE UPUTE PRI UPORABI SVRDLA DUGE BUŠILICE

- a) **Nikada ne radite pri brzini većoj od najveće nazivne brzine svrdla bušilice.** Pri većim brzinama svrdlo se može saviti ako dopustite da se okreće slobodno bez doticanja izratka i tako se možete ozlijediti.
- b) **Uvijek počnite bušiti pri maloj brzini i dok je vršak svrdla u doticaju s izratkom.** Pri većim brzinama svrdlo se može saviti ako dopustite da se okreće slobodno bez doticanja izratka i tako se možete ozlijediti.
- c) **Pritišćite samo u izravnoj liniji svrdla i ne pritišćite prejako.** Svrdla se mogu savinuti, zbog čega mogu puknuti i možete izgubiti nadzor i tako se ozlijediti.

OPĆENITO

- Prašina od materijala kao što su boje koje sadrže olovo, neke vrste drveća, minerali i metal mogu biti opasne (dodir s prašinom ili njeno udisanje mogu prouzročiti alergične reakcije i/ili respiratorna oboljenja rukovatelja ili posmatrača); **nosite masku za zaštitu od prašine i radite s uređajem za ekstrakciju prašine ukoliko ga možete priključiti**
- Određene vrste prašine klasificiraju se kao karcinogenske (kao što su prašina hrastovine i bukovine), osobito u sudejstvu s aditivima za kondicioniranje drveta; **nosite masku za zaštitu od prašine i radite s**

uređajem za ekstrakciju prašine ukoliko ga možete priključiti

- Nacionalni uvjeti za materijale s kojima želite raditi
- **Ne obrađujte materijal koji sadrži azbest** (azbest se smatra kancerogenim)
- Prilikom promjene pribora, prenošenja ili spremanja alata obavezno prekidač K ② postaviti u srednju poziciju (zaključano)

PRIBOR

- SKIL može osigurati besprijekoran rad uređaja samo ako se koristi originalni pribor
- Upotrebljavajte pribor čija dopuštena brzina odgovara najvećoj brzini alata u praznom hodu

PRIJE UPORABE

- Izbjegavajte oštećenja od vijaka, čavala i sličnih predmeta na vašem izratku; prije početka rada ih izvadite
- Uvijek provjerite je li napon napajanja isti kao onaj naveden na tipskoj pločici punjača
- **Osigurajte izradak** (izradak je sigurnije pričvršćen pomoću stezaljke ili škripa nego da ga držite rukom)
- **Koristite prikladne uređaje za traženje napona kako bi se pronašli skriveni napojni vodovi ili se savjetuje s lokalnim distributerom** (kontakt s električnim vodovima mogao bi doći do požara i električnog udara; oštećenje plinske cijevi moglo bi dovesti do eksplozije; probijanje vodovodne cijevi uzrokuje materijalne štete ili može uzrokovati električni udar)

TIJEKOM UPORABE

- U slučaju neuobičajenog ponašanja uređaja ili neobičnih šumova, uređaj treba odmah isključiti i izvući utikač iz mrežne utičnice

AKU-BATERIJE

- **Isporučena je baterija djelomično napunjena** (da biste zajamčili potpuni kapacitet baterije, bateriju u potpunosti napunite punjačem prije prve uporabe električnog alata)
- **S ovim alatom rabite samo sljedeće baterije i punjače**
 - Baterija marke SKIL: BR1*31****
 - Punjač marke SKIL: CR1*31****
- Ne rabite bateriju kada je oštećena; treba je zamijeniti
- Ne rastavljajte bateriju
- Ne izlažite kiši alat/bateriju
- Dopuštena okolišna temperatura (uređaj/punjač/baterija):
 - kod punjenja 4...40°C
 - tijekom rada -20...+50°C
 - kod skladištenja -20...+50°C

POJAŠNJENJE SIMBOLA NA UREĐAJU/BATERIJI

- ③ Prije upotrebe pročitajte korisnički priručnik
- ④ U dodiru s vatrom baterije će eksplodirati, stoga ne spaljujte bateriju iz bilo kojih razloga
- ⑤ Uređaj/punjač/bateriju spremajte uvijek kod temperatura prostorije nižih od 50°C
- ⑥ Ne bacajte električne alate i baterij u kućni otpad

POSLUŽIVANJE

- Kombinirani prekidač za uključivanje/isključivanje i kontrolu brzine A ②
 - većim ili manjim pritiskom na prekidač, brzina se može bestupnjevito regulirati od nule do maksimalnog broja okretaja
- Punjenje aku-baterija
- ! **pročitajte sigurnosna upozorenja i upute isporučene s punjačem**
- Uklanjanje/ugradnja baterije ②

- Pričvršćivanje kopče za remen ⑦
 - pričvrstite kopču za remen L na bušilicu priloženim vijkom.
- Pokazivač stanja napunjenosti baterije ⑧
 - pritisnite gumb pokazivača razine napunjenosti baterije N radi prikaza aktualne razine napunjenosti baterije ⑥a
 - ! **kada najniža razina baterije započne bljeskati nakon pritiska gumba N ⑧b, baterija je prazna**
 - ! **kada 2 razine pokazivača baterije započinu bljeskati nakon pritiska gumba N ⑧c, baterija nije unutar dopuštenog radnog temperaturnog raspona**
- LED lampica M ⑬
 - Lampica LED M automatski zasvijetli kada se pokrene prekidač A
 - ! **kada započne treperenje svijetla LED, aktivira se zaštita baterije (pogledajte ispod)**
- Zaštita baterije
 - Uređaj se iznenadno isključuje ili ne može uključiti, kada je
 - **opterećenje previsoko** --> uklonite opterećenje i ponovno pokrenite
 - **temperatura baterije nije unutar dopuštenog radnog temperaturnog raspona od -20 do +50 °C** --> 2 razine pokazivača razine baterije počinju bljeskati pri pritiskanju gumba N ⑧c; pričekajte dok se baterija ne vrati unutar dopuštenog radnog temperaturnog raspona
 - **baterija je gotovo prazna (za zaštitu od potpunog pražnjenja)** --> niska razina baterije ili bljeskajuća niska razina baterije ⑧b pokazuje se putem pokazivača stanja napunjenosti baterije pri pritiskanju gumba N; napunite bateriju
 - ! **nemojte dalje pritiskati prekidač za uključivanje/isključivanje nakon što se alat automatski isključio; time možete oštetiti bateriju**
- Promjena smjera rotacije ⑨
 - ako položaj lijevo/desno nije ispravno preskočilo, prekidač A ② se ne može aktivirati
 - ! **smjer rotacije mijenjati samo dok alat miruje**
- Zamjena nastavaka ⑩
 - ! **ne koristite nastavke s oštećenom drškom**
- Kontrola zakretnog momenta (VariTorque) ⑪
 - zakretni moment će se povećati ukoliko se prsten spojke B okrene iz položaja 1 na 17
 - kod uvijanja nekog vijka počnite najprije s VariTorque položajem 1 i povećavajte nakon toga polako do dosizanja željene dubine
 - u položaju F će spojka blokirati kako bi se izvršili (neudarni) teži radovi bušenja i uvijanja vijaka
 - u položaju D će spojka blokirati kako bi se izvršilo samo udarno bušenje
 - ! **pobrinite se da je prekidač za biranje brzina B u položaju 2 kad je prsten spojke C u položaju udarnog bušenja**
 - ! **ne koristite položaj udarnog bušenja D za bušenje u drvu, metalu, keramici i plastici kako biste spriječili oštećivanje nastavka za bušenje/uvijanje**
- Mehaničko biranje brzina ⑫
 - prekidač G namjestiti na željenu brzinu
 - ! **prekidač za biranje brzina pritisnite dok se uređaj polako okreće**
 - 1
 - mali broj okretaja
 - veliki zakretni moment

- za uvrtnje vijaka i bušenje rupa većih promjera
- za rezanje navoja
- 2
 - veliki broj okretaja
 - mali zakretni moment
 - za udarno bušenje
 - za bušenje rupa manjih promjera
- Držanje i vođenje uređaja ⑭
 - ! **alat kod primjene, držati samo na sivo označenim područjima**
 - otvore za strujanje zraka J ② držite nepokriveno
 - ne djelujte prevelikim pritiskom na alat; ostavite alat da radi za vas

ODRŽAVANJE / SERVISIRANJE

- Ovaj uređaj nije namijenjen profesionalnoj upotrebi
- Uvijek držite alat čistim (osobito otvore za provjetranje H ②)
- ! **bateriju uklonite iz alata prije čišćenja**
- Ako bi uređaj unatoč brižljivijih postupaka izrade i ispitivanja ipak prestao raditi, popravak treba prepustiti ovlaštenom servisu za SKIL električne alate
 - uređaj treba **nerastavljeno** predati, zajedno s računom o kupnji u najbližu SKIL ugovornu servisnu radionicu (popise servisa, kao i oznake rezervnih dijelova uređaja možete naći na adresi www.skil.com)
- Imajte na umu kako jamstvo ne obuhvaća štete nastale zbog preopterećenja ili nepravilnog rukovanja alatom (za uvjete iz SKIL jamstva, posjetite www.skil.com ili upitajte svog prodavača)

SAVJETI ZA PRIMJENU

- Treba koristiti odgovarajuće bitove ⑮
 - ! **koriste se samo oštri bitovi**
- Kod bušenja metala
 - predbušiti manju rupu ako se buši velika rupa
 - nastavke po potrebi namazati uljem
- Kod uvijanja vijka na prednjem ili stražnjem dijelu nekog izratka od drvta, treba se prethodno izbušiti rupa, kako bi se izbjeglo kаланje drvta
- Za optimalnu uporabu alata potreban je stalni pritisak na vijak, posebno tijekom odvijanja
- Kod uvijanja vijka u tvrdo drvo treba se prethodno izbušiti rupa
- Bušenje u drvo bez stvaranja iveraka ⑯
- Bušenje u zid bez stvaranja prašine ⑰
- Bušenje u strop bez stvaranja prašine ⑱
- Bušenje keramičkih pločica bez klizanja vrha svrdla ⑲
- Više informacija navedeno je na mrežnom mjestu www.skil.com

ZAŠTITA OKOLIŠA

- **Električne alate, baterij, pribor i ambalažu ne bacajte u kućni otpad** (samo za EU-države)
 - prema Europskoj direktivi 2012/19/EG o staroj električnoj i elektroničkoj opremi i njenoj primjeni u skladu sa nacionalnim zakonom, istrošeni električni alati moraju se sakupljati odvojeno i odvesti u posebne pogone za reciklažu
 - na to podsjeća simbol ⑥ kada se javi potreba za odlaganjem
 - ! **prije nego što aku-bateriju zbrinete u otpad, zaštitite njene polove**

BUKA / VIBRACIJA

- Mjerene u skladu s normom EN 62841, razina zvučnog tlaka ovoga alata je 83,0 dB(A), razina zvučne snage 94,0 dB(A) (nesigurnost K = 5 dB), a vibracija * (troakosijalna vektorska suma; nesigurnost K = 1,5 m/s²)
 - * kod bušenja u metalu <2,5 m/s²
 - * kod udarnog bušenja u betonu 7,9 m/s²
 - Razina emitiranja vibracija izmjerena je sukladno normiranom testu danom u EN 62841; ona se može koristiti za usporedbu jedne alatke s drugom, te preliminarnu procjenu izloženosti vibracijama pri uporabi alatke za navedene namjene
 - uporaba ove alatke za druge namjene ili s drugim ili slabo održavanim nastavcima, može u značajnoj mjeri **uvećati** razinu izloženosti
 - vrijeme tokom kojega je alatka isključena, ili je uključena ali se njome ne radi, može značajno **umanjiti** razinu izloženosti
- ! zaštitite se od posljedica vibracija održavanjem alatke i njezinih nastavaka, održavanjem Vaših ruku toplima, te organiziranjem Vaših obrazaca rada**

SRB

Akumulatorska vibraciona 3018/3020 bušilica/uvrtač

UPUTSTVO

- Alat je namenjen bušenju sa udarcima cigle kao i bušenju drveta, metala, keramike i plastike; alat sa automatskim regulisanjem obrtnog momenta i levim i desnim smerom obrtanja je takođe namenjen uvrtanju šrafova
 - Ovaj alat nije namenjen za profesionalnu upotrebu
 - Pažljivo pročitajte i sačuvajte ova uputstva za rukovanje
- ③

TEHNIČKI PODACI ①

Max. obrtni momenat tvrdji slučaj zavrtnanja prema ISO 5393 : 55Nm

ELEMENTI ALATA ②

- A Prekidač za uključivanje/isključivanje i kontrolu brzine
- B Prsten za kontrolu obrtnog momenta
- C Prekidač za promenu funkcije
- D Položaj udarnog bušenja
- E Položaj bušenja
- F Položaj uvrtnja
- G Prekidač za biranje brzine
- H Indikator izabranog smera rotacije
- J Prerezi za hlađenje
- K Prekidač za promenu smera rotacije
- L Štipaljka za kaiš
- M LED-svetlo
- N Indikator kapaciteta baterije

SIGURNOST

OPŠTA SIGURNOSNA UPOZORENJA ZA ELEKTRIČNI ALAT

! UPOZORENJE Pročitajte sva bezbednosna upozorenja, uputstva, ilustracije i specifikacije

priložene uz ovaj električni alat. Ukoliko se ne slede sva uputstva navedena u nastavku može doći do strujnog udara, požara i/ili ozbiljnih povrede.

Sačuvajte sva upozorenja i uputstva za buduću upotrebu.

Pojam upotrebljen u upozorenjima "električni alat" odnosi se na električne alate sa radom na mreži (sa mrežnim kablom) i na električne alate sa radom na akumulator (bez mrežnog kabla).

1) SIGURNOST NA RADNOM MESTU

- Držite Vaše područje rada čisto i pospremljeno.** Nered ili neosvetljena radna područja mogu voditi nesrećama.
- Ne koristite električni alat tamo gde postoji opasnost od eksplozije kao npr. u prisustvu zapaljivih tečnosti, gasova ili prašine.** Električni alati proizvode varnice, koje mogu zapaliti prašinu ili isparenja.
- Za vreme korišćenja električnog alata držite podalje decu i druge osobe.** Kod skretanja možete izgubiti kontrolu nad alatom.

2) ELEKTRIČNA SIGURNOST

- Utikaç električnog alata mora odgovarati utičnici.** Nikada nemojte modifikovati utikač. **Ne upotrebljavajte adaptere utikača sa uzemljenim električnim alatom.** Nemodifikovani utikači i odgovarajuće utičnice smanjuju rizik od električnog udara.
- Izbegavajte telesni kontakt sa uzemljenim gornjim površinama, kao što su cevi, grejanja, šporeti i rashladni ormani.** Postoji povećani rizik od električnog udara, ako je Vaše telo uzemljeno.
- Ne izlažite električni alat kiši ili vlažnim uslovima.** Prodor vode u električni alat povećava rizik od električnog udara.
- Ne zloupotrebljavajte kabl.** Nikada nemojte koristiti kabl za nošenje i vučenje električnog alata ili za izvlačenje iz utičnice. **Držite kabl dalje od vreline, ulja, oštih ivica ili pokretnih delova.** Oštećeni ili umršeni kablovi povećavaju rizik električnog udara.
- Ako sa nekim električnim alatom radite u prirodi, upotrebljavajte samo produžne kablove koji su dozvoljeni za spoljno područje.** Upotreba produžnog kabla pogodnog za spoljno područje smanjuje rizik od električnog udara.
- Ako rad električnog alata ne može da se izbegne u vlažnoj okolini, koristite prekidač strujne zaštite pri kvaru.** Upotreba prekidača strujne zaštite pri kvaru smanjuje rizik od električnog udara.

3) SIGURNOST OSOBA

- Budite oprezni, pazite na to šta radite i razumno rukujte Vašim električnim alatom.** **Ne koristite električni alat dok ste umorni ili pod uticajem narkotika, alkohola ili lekova.** Momenat nepažnje kod upotrebe električnog alata može rezultirati ozbiljnim povredama.
- Nosite ličnu zaštitnu opremu i uvek zaštitne naočare.** Nošenje lične zaštitne opreme, kao maske za prašinu, sigurnosne cipele koje ne klizaju, zaštitni šlem ili zaštitu za sluh, zavisno od vrste i upotrebe električnog alata, smanjujete rizik od povreda.

- c) **Sprečite nenamerno puštanje u rad. Pre priključivanja na struju i/ili na akumulatorsku bateriju, podizanja ili nošenja alata uverite se da je prekidač isključen.** Nošenje električnog alata sa prstom na prekidaču ili priključivanje na struju uključenog električnog alata vodi do nesreće.
- d) **Uklonite bilo kakve ključeve za podešavanje ili ključeve za zavrtnjeve, pre nego što uključite električni alat.** Ostavljanje ključa za zavrtnjeve ili ključa prikacene na rotirajući deo električnog alata može rezultirati ličnom povredom.
- e) **Ne zauzimajte neadekvatan položaj. Sve vreme držite ravnotežu i pravilan položaj nogu.** Ovo omogućava bolje upravljanje električnim alatom u neočekivanim situacijama.
- f) **Nosite pogodno odelo. Ne nosite široko odelo ili nakit. Držite kosu i odeću dalje od pokretnih delova.** Opušteno odelo, nakit ili duža kosa mogu biti zahvaćeni od rotirajućih delova.
- g) **Ako se mogu montirati uredjaji za usisavanje prašine i uredjaji za hvatanje prašine, uverite se da li su priključeni i ispravno koriste.** Upotreba usisavanja prašine može smanjiti opasnosti od prašine.
- h) **Ne dozvolite da pouzdanje koje ste stekli čestom upotrebom alata utiče na to da postanete neoprezni i da zanemarite sigurnosne principe za upotrebu alata.** Neoprezno delovanje može prouzrokovati teške povrede u deliću sekunde.
- 4) BRIŽLJIVO OPHODJENJE I KORIŠĆENJE ELEKTRIČNIH ALATA**
- a) **Ne preopterećujte električni alat. Koristite električni alat koji odgovara Vašoj primeni.** Sa odgovarajućim električnim alatom radite bolje i sigurnije tempom za koji je projektovan.
- b) **Ne upotrebljavajte električni alat, čiji je prekidač u kvaru.** Električni alat koji više ne može da se uključi ili isključi je opasan i mora da se popravi.
- c) **Izvucite utikač iz utičnice i/ili izvadite akumulatorsku bateriju, ukoliko je to moguće, iz električnog alata pre nego što izvršite bilo kakva podešavanja, promenu pribora ili pre nego što uskladišite električni alat.** Takve preventivne sigurnosne mere smanjuju rizik od slučajnog pokretanja električnog alata.
- d) **Čuvajte električne alate koje ne koristite izvan domašaja dece i ne dozvoljavajte osobama, koje nisu upoznate sa ovim električnim alatom ili sa ovim uputstvima, da rukuju električnim alatom.** U rukama neobučenih korisnika električni alati postaju opasni.
- e) **Održavajte električni alat i pribore. Proverite da li su pokretni delovi u ravni i da li negde zapinju, da nije došlo do lomljenja delova i svako drugo stanje koje može uticati na rad električnog alata.** Ukoliko je oštećen, odnesite električni alat na popravku pre korišćenja. Mnoge nesreće su prouzrokovane lošim održavanjem električnih alata.
- f) **Držite alate za sečenja oštre i čiste.** Brižljivo negovani alati za sečenje sa oštrim sečivima manje splepljuju i lakše se vode.
- g) **Upotrebljavajte električne alate, pribor, alate koji se umeću itd. prema ovim uputstvima. Obratite pažnju pritom na uputstva za rad i posao koji treba izvesti.** Upotreba električnih alata za druge od propisanih namena može voditi opasnim situacijama.
- h) **Održavajte drške i prihvatne površine suvim, čistim i bez ostataka ulja ili masnoće.** Klizave drške ili prihvatne površine ne omogućavaju bezbedno rukovanje i upravljanje alatom u neočekivanim situacijama.
- 5) BRIŽLJIVO OPHODJENJE I KORIŠĆENJE APARATA SA AKUMULATOROM**
- a) **Punite akumulator samo u aparatima za punjenje koje propisuje proizvođač.** Za aparat za punjenje koji je pogodan za određenu vrstu akumulatora, postoji opasnost od požara, ako se upotrebljava sa drugim akumulatorom.
- b) **Upotrebljavajte samo za to predviđene akumulatore u električnim alatima.** Upotreba drugih akumulatora može voditi povredama i opasnosti od požara.
- c) **Držite ne korišćen akumulator podalje od kancelarijskih spajalica, novčića, ključeva, eksera, zavrtnja ili drugih malih metalnih predmeta koji mogu prouzrokovati premošćavanje kontakata.** Kratak spoj između kontakata akumulatora može imati za posledicu zagorevanje ili vatru.
- d) **Kod pogrešne primene može izaći tečnost iz akumulatora; izbegvajte kontakt sa njom. Kod slučajnog kontakta isperite sa vodom. Ako tečnost dodje u dodir sa očima, potražite i lekarsku pomoć dodatno.** Tečnost akumulatora koja može izaći napolje može voditi nadražajima kože ili opekotinama.
- e) **Ne koristite akumulatorsku bateriju ili alat koji je oštećen ili modifikovan.** Oštećeni ili modifikovani akumulatori se mogu ponašati nepredviđeno što može rezultirati požarom, eksplozijom ili povredom.
- f) **Ne izlažite akumulatorsku bateriju ili alat vatri ili visokim temperaturama.** Izlaganje vatri ili temperaturama iznad 130°C može prouzrokovati eksploziju.
- g) **Pridržavajte se svih uputstava u vezi sa punjenjem i ne punite akumulatorsku bateriju ili alat izvan temperaturnog opsega naznačenog u uputstvima.** Nepropisno punjenje ili punjenje na temperaturama izvan naznačenog opsega može oštetiti akumulator i povećati rizik od požara.
- 6) SERVISIRANJE**
- a) **Vaš električni alat dajte na servisiranje samo kvalifikovanom licu za popravku, koristeći pritom samo identične rezervne delove.** Ovo će osigurati očuvanje bezbednosti električnog alata.
- b) **Nikada ne servisirajte oštećene akumulatorske baterije.** Servisiranje akumulatorskih baterija treba da vrši isključivo proizvođač ili ovlašćeni serviseri.

SIGURNOSNA UPUTSTVA ZA AKUMULATORSKE BUŠILICE/UVRTAČE

1) BEZBEDNOSNA UPUTSTVA ZA SVE OPERACIJE

- a) **Pri radu sa vibracionim bušilicama nosite zaštitu za uši.** Izlaganje tim zvukovima i buci može voditi ka trajnim oštećenjima sluha.
- b) **Hvatajte električni alat isključivo za izolovane hvataljke, ako izvodite radove, kada pribor za sečenje ili sredstva za pričvršćivanje mogu dodirnuti skrivene električne vodove.** Pribor za sečenje i sredstva za pričvršćivanje koja dođu u kontakt sa vodom koji provodi napon stavlja i metalne delove električnog alata pod napon, usled čega rukovalac može doživeti električni udar.

2) BEZBEDNOSNA UPUTSTVA KADA SE KORISTE DUGA SVRDLA ZA BUŠENJE

- a) **Nikada nemojte rukovati pri većoj brzini od označene maksimalne brzine svrdla za bušenje.** Pri većim brzinama postoji veća verovatnoća savijanja svrdla ako se dozvoli da slobodno okreće bez kontakta sa materijalom za obradu, što dovodi do fizičke povrede.
- b) **Bušenje uvek započinite pri manjoj brzini i sa vrhom svrdla koje je u kontaktu sa materijalom za obradu.** Pri većim brzinama postoji veća verovatnoća savijanja svrdla ako se dozvoli da slobodno okreće bez kontakta sa materijalom za obradu, što dovodi do fizičke povrede.
- c) **Pritisnite samo u direktnoj liniji sa svrdlom i nemojte previše pritiskati.** Svrdla mogu da se saviju i dovedu do loma ili gubitka kontrole, što dovodi do fizičke povrede.

OPŠTA

- Prašina od materijala, kao što su boja koja sadrži olovo, neke vrste drveta, minerali i metal, može biti opasna (dodir ili udisanje prašine može prouzrokovati alergijske reakcije i/ili respiratorna oboljenja rukovaoca i lica u blizini); **nosite masku protiv prašine i radite uz uključeni uređaj za ekstrakciju prašine kada radite na mestima gde ju je moguće priključiti**
- Određene vrste prašine su klasifikovane kao kancerogene (kao što su prašina hrastovine i bukovine), posebno u sadejstvu sa aditivima za pripremu drveta; **nosite masku protiv prašine i radite uz uključeni uređaj za ekstrakciju prašine kada radite na mestima gde ju je moguće priključiti**
- Prati nacionalne propise vezane za prašinu koja se proizvodi prilikom rada na obrađivanim materijalima
- **Ne obradjujte nikakav materijal koji sadrži azbest** (azbest važi kao izazivač raka)
- Uverite se da je prekidač K ② u srednjoj poziciji (blokada) pre nego što počnete da podešavate alat , menjate pribor ili nosite alat

PRIBOR

- SKIL može priznati garanciju samo ukoliko je korišćen originalni pribor
- Koristite samo pribor čija je dozvoljena brzina u najmanju ruku jednaka najvećoj brzini pri praznom hodu električnog alata

PRE UPOTREBE

- Izbegavajte oštećenja od šrafova, eksera i drugih predmeta na vašem području rada; uklonite ih pre nego što započnete rad
- Uvek se uverite da je napon struje isti kao i napon naveden na pločici sa nazivom punjača
- **Obezbedite radni predmet** (radni predmet stegnut pomoću stega ili nečeg sličnog je mnogo stabilniji neko kada se drži rukom)
- **Koristite odgovarajuće aparate za proveru dali se u zidu koji bušimo nalaze skrivene instalacije, ili za taj posao nađite odgovarajuće preduzeće** (kontakt sa električnim vodovima može izazvati požar ili električni udar; oštećenje gasovoda može izazvati eksploziju; probijanje cevi sa vodom uzrokuje štete ili može izazvati električni udar)

TOKOM UPOTREBE

- U slučaju električnog ili mehaničkog kvara odmah isključiti alat ili izvući punjač iz struje

BATERIJA

- **Baterija se isporučuje delimično napunjena** (da biste obezbedili pun kapacitet baterije, bateriju napunite do kraja u punjaču baterije pre prvog korišćenja električnog alata)

- **Koristite samo sledeće baterije i punjače sa ovim alatom**
 - SKIL baterija: BR1*31****
 - SKIL punjač: CR1*31****
- Nemojte koristiti oštećenu bateriju; treba je zameniti
- Nemojte da rastavljate bateriju
- Nemojte izlagati alat/bateriju kiši
- Dozvoljena ambijentalna temperatura (alat/punjač/bateriju):
 - prilikom punjenja 4...40°C
 - prilikom režima rada -20...+50°C
 - prilikom skladištenja -20...+50°C

OBJAŠNJENJE SIMBOLA NA ALATU/BATERIJI

- ③ Pročitajte uputstvo za korišćenje pre prve upotrebe
- ④ Baterije će eksplodirati ako se izlože vatri, zato nikada ne palite baterije
- ⑤ Odlažite alat/punjač/bateriju na msetima gde temperatura neće preći 50°C
- ⑥ Ne odlažite električne alate i baterije u kućne otpatke

UPUTSTVO ZA KORIŠĆENJE

- Kombinovani prekidač za uključivanje/isključivanje i kontrolu brzine A ②
 - možete kontrolisati brzinu od najmanje do najveće menjanjem pritiska na obaraču
- Punjenje baterije
 - ! **pročitajte bezbednosna upozorenja i uputstva priložene uz punjač**
- Uklanjanje/postavljanje baterije ②
- Pričvršćivanje štipaljke za kaiš ⑦
 - pričvrstite štipaljku za kaiš L na burgiju sa isporučenim zavrtanjem.
- Indikator kapaciteta baterije ⑧
 - pritisnite dugme indikatora baterije N za prikaz trenutnog nivoa baterije ⑧a
 - ! **kada najniži nivo indikatora baterije počne da treperi nakon pritiska dugmeta N ⑧b, baterija je prazna**
 - ! **kada 2 nivoi indikatora baterije počnu da trepere nakon pritiska na dugme N ⑧c, baterija nije u dozvoljenom opsegu radne temperature**
- LED-svetlo M ⑬
 - LED-svetlo M se automatski uključuje kada se aktivira prekidač A
 - ! **kada LED svetlo počne da treperi, aktivira se zaštita baterije (pogledajte ispod)**
- Zaštita baterije
 - Alat se momentalno isključuje ili ne može da se uključi kada
 - **je opterećenje suviše veliko** --> uklonite opterećenje i ponovo pokrenite
 - **temperatura baterije nije u dozvoljenom radnom opsegu temperature od -20 do +50°C** --> 2 nivoi indikatora za nivo baterije počinju da trepere kada pritisnete dugme N ⑧c; sačekajte dok se baterija ne vrati u dozvoljeni temperaturni opseg
 - **baterija je skoro prazna (za zaštitu od dubinskog praznjenja)** --> nizak nivo baterije ili treperenje za nizak nivo baterije ⑧b prikazuje indikator za nivo baterije kada se pritisne dugme N; napunite bateriju
 - ! **prestanite da pritisnete prekidač za uključivanje/isključivanje nakon automatskog isključivanja alata jer možete oštetiti bateriju**

- Izmena smera rotacije ⑨
 - ako leva/desna pozicija ne ulegnu kako treba, prekidač A ② nece moci biti strtovan
 - ! **smer rotacije menjati samo kada alat potpuno miruje**
- Izmena bitseva ⑩
 - ! **ne koristite bitseve sa oštećenim prihvatom**
- Kontrola obrtnog momenta (VariTorque) ⑪
 - izlazni obrtni momenat se povećava prilikom obrtanja prstena spojnice B od 1 do 17
 - ako uvrćete šraf, prvo probajte sa VariTorque pozicijom 1 i povećavajte dok ne dostignete željenu dubinu
 - položaj F će zaključati spojnicu da bi se omogućilo (neudarno) bušenje ili rad na otpornijim površinama
 - položaj D će zaključati spojnicu da bi se omogućilo samo bušenje sa udarcima
 - ! **obebedite da je prekidač za biranje brzina B u položaju 2 kada je prsten spojnice C u položaju udarnog bušenja**
 - ! **nemojte koristiti položaj udarnog bušenja D za bušenje u drvetu, metalu, keramici i plastici da biste sprečili oštećenje svrdla za bušenje/uvrtanje**
- Mehaničko biranje brzina ⑫
 - podesiti prekidač G na dozvoljenu brzinu
 - ! **aktivirajte prekidač za biranje brzina dok alat radi niskom brzinom**
 - 1
 - mala brzina
 - visoki obrtni momenat
 - za uvrtnje šrafova i bušenje velikih prečnika
 - za uvrtnje navoja
 - 2
 - visoka brzina
 - niski obrtni momenat
 - za bušenje sa udarcima
 - za bušenje malih prečnika
- Držanje i upravljanje alata ⑬
 - ! **dok radite, uvek držite alat za mesto(a) koje(a) su označena sivom bojom**
 - prerezi za hlađenje J ② moraju da budu otvoreni
 - ne pritiskati alat previše; pustite da alat sam radi

ODRŽAVANJE / SERVIS

- Ovaj alat nije namenjen za profesionalnu upotrebu
- Alat uvek održavajte čistim (posebno otvore za hlađenje H ②)
 - ! **pre čišćenja uklonite bateriju iz alata**
- Ako bi alat i pored brižljivog postupka izrade i kontrole nekada otkazao, popravku mora vršiti neki autorizovani servis za SKIL-električne alate
 - pošaljite **nerastavljeni** alat zajedno sa potvrdom o kupovini vašem nabavljaču ili najbližem SKIL servisu (adrese i oznake rezervnih delova možete naći na www.skil.com)
- Imajte na umu da za oštećenja nastala usled preopterećivanja ili nepravilnog rukovanja neće važiti garancija (za uslove SKIL garancije posetite www.skil.com ili pitajte svog prodavca)

SAVETI ZA PRIMENU

- Koristiti odgovarajuće bitseve ⑬
 - ! **koristiti samo oštre bitseve**

- Pri bušenju metala
 - prvo izbušiti malu rupu ako Vam je potrebna veća rupa
 - bitseve povremeno namazati uljem
- Pri uvrtnju šrafova na krajevima drveta prvo treba izbušiti malu rupu da bi se izbeglo listanje drveta
- Za optimalno korišćenje alata potreban je stalan pritisak na šraf, posebno pri odstranivanju istih
- Ako uvrćete šraf u tvrdo drvo potrebno je prethodno izbušite rupu
- Bušenje drveta bez listanja ⑭
- Bušenje zidova bez prašine ⑮
- Bušenje plafona bez prašine ⑯
- Bušenje pločica bez proklizavanja ⑰
- Za više informacija pogledajte www.skil.com

ZAŠTITA OKOLINE

- **Električne alate, baterije, pribora i ambalaže ne odlažite u kućne otpatke** (samo za EU-države)
 - prema Evropskoj direktivi 2012/19/EG o staroj električnoj i elektronskoj opremi i njenoj upotrebi u skladu sa nacionalnim pravom, električni alati koji su istrošeni moraju biti sakupljeni odvojeno i dostavljeni pogonu za reciklažu
 - simbol ⑥ će vas podsetiti na to
 - ! **da bi se izbegli kratki spojevi je baterija zaštićena debljom trakom**

BUKA / VIBRACIJE

- Izmeren u skladu sa standardom EN 62841 nivo pritiska zvuka ovog alata je 83,0 dB(A) a nivo jačine zvuka 94,0 dB(A) (neizvesnost K = 5 dB), i vibracija * (troosni vektorski zbir; neizvesnost K = 1,5 m/s²)
 - * pri bušenju metala <2,5 m/s²
 - * pri udarnom bušenju betona 7,9 m/s²
- Nivo emisije vibracija izmeren je u skladu sa standardizovanim testom datim u EN 62841; on se može koristiti za upoređenje jedne alatke sa drugom, kao i za preliminarnu procenu izloženosti vibracijama pri korišćenju ove alatke za pomenute namene
 - korišćenje alatke u drugačije svrhe ili sa drugačijim ili slabo održavanim nastavcima može značajno **povećati** nivo izloženosti
 - vreme kada je alatka isključena ili kada je uključena, ali se njome ne radi, može značajno **smanjiti** nivo izloženosti
 - ! **zaštitite se od posledica vibracija održavanjem alatke i njenih nastavaka, održavajući Vaše ruke toplim i organizovanjem Vaših radnih obrazaca**

(SLO)

Akumulatorski vibracijski 3018/3020 vrtalnik/vijačnik

UVOD

- To orodje je namenjeno za udarno vrtnje v opeko kot tudi vrtnju v les, kovino, keramiko in plastiko; orodje z regulacijo števila vrtljajev in levo/desno smerjo vrtenja je primerno tudi za privijanje in vrezovanje navojev
- Orodje ni namenjeno profesionalni uporabi
- Preberite in shranite navodila za uporabo ③

TEHNIČNI PODATKI ①

Maks. zatezni moment pri trdem vijačenju po ISO 5393 : 55Nm

DELI ORODJA ②

- A Vklonno/izklopno stikalo in za nadzor hitrosti
- B Obroč za nastavitve momenta
- C Stikalo za zamenjavo funkcije
- D Položaj udarnega vrtnja
- E Položaj vrtnja
- F Položaj vijačenja
- G Stikalo za izbiro stopnje
- H Indikator izbrane smeri vrtenja
- J Ventilacijske reže
- K Stikalo za preklon smeri vrtenja
- L Sponka za pas
- M Dioda LED
- N Indikator stanja akumulatorja

VARNOST

SPOŠNA VARNOSTNA OPOZORILA ZA ELEKTRIČNA ORODJA

⚠ OPOZORILO Preberite vsa varnostna opozorila, navodila in tehnične podatke ter si oglejte slike, ki so priloženi temu električnemu orodju. Neupoštevanje spodaj navedenih navodil se lahko odrazi v električnem udaru, požaru in/ali hudih poškodbah.

Vsa opozorila in navodila shranite, saj jih boste v prihodnosti morda potrebovali.

Pojem "električno orodje", ki se pojavlja v nadaljnjem besedilu, se nanaša na električna orodja z električnim pogonom (z električnim kablom) in na akumulatorska električna orodja (brez električnega kabla).

1) VARNOST NA DELOVNEM MESTU

- a) **Poskrbite, da bo Vaše delovno mesto vedno čisto in urejeno.** Nered ali neosvetljena delovna področja lahko povzročijo nezgode.
- b) **Prosimo, da orodja ne uporabljate v okolju, kjer je nevarnost za eksplozije in v katerem se nahajajo gorljive tekočine, plini in prah.** Električna orodja povzročajo iskenje, zato se gorljivi prah ali pare lahko vnamejo.
- c) **Ne dovolite otrokom in drugim osebam, da bi se medtem ko delate, približali električnemu orodju.** Druge osebe lahko odvrnejo Vašo pozornost drugam in izgubili boste nadzor nad orodjem.

2) ELEKTRIČNA VARNOST

- a) **Vtič mora ustrezati električni vtičnici in ga pod nobenim pogojem ne smete spreminjati.** Uporaba adapterskih vtičev v kombinaciji z ozemljena orodja ni dovoljena. Originalni oziroma nespremenjeni vtiči in ustrezne vtičnice zmanjšujejo tveganje električnega udara.
- b) **Izogibajte se telesnemu stiku z ozemljenimi površinami, na primer s cevmi, grelci, štedilniki in hladilniki.** Če je ozemljeno tudi vaše telo, obstaja povečano tveganje električnega udara.

- c) **Zavarujte orodje pred dežjem ali vlago.** Vdor vode v električno orodje povečuje tveganje električnega udara.
- d) **Električnega kabla ne uporabljajte za prenašanje ali obežanje orodja in ne vlecite vtiča iz vtičnice tako, da vlečete za kabel.** Zavarujte kabel pred vročino, oljem, ostrimi robovi in premikajočimi se deli orodja. Poškodovani ali prepleteni kabli povečujejo tveganje električnega udara.
- e) **Če z električnim orodjem delate na prostem, uporabljajte izključno kabelski podaljšek, ki je atestiran za delo na prostem.** Uporaba kabelskega podaljška, primerne za delo na prostem, zmanjšuje tveganje električnega udara.
- f) **Če je uporaba električnega orodja v vlažnem okolju neizogibna, uporabljajte prekinjevalec električnega tokokroga.** Prekinjevalca električnega tokokroga zmanjšuje tveganje električnega udara.

3) OSEBNA VARNOST

- a) **Bodite zbrani in pazite, kaj delate. Dela z električnim orodjem se lotite razumno. Nikoli ne uporabljajte orodja, če ste utrujeni in če ste pod vplivom mamil, alkohola ali zdravil.** En sam trenutek nepazljivosti pri uporabi orodja ima lahko za posledico resne telesne poškodbe.
- b) **Uporabljajte osebna zaščitna sredstva in vedno nosite zaščitna očala.** Uporaba osebnih zaščitnih sredstev, na primer maske proti prahu, nedrsečih zaščitnih čevljev, zaščitne čelade in slušnikov, odvisno od vrste in uporabe električnega orodja, zmanjšuje tveganje telesnih poškodb.
- c) **Izogibajte se nenamernemu zagonu. Pred priključitvijo električnega orodja na električno omrežje in/ali na akumulator in pred dviganjem ali nošenjem se prepričajte, če je električno orodje izklopljeno.** Prenašanje naprave s prstom na stikalu ali priključitev vklopljenega električnega orodja na električno omrežje je lahko vzrok za nezgodo.
- d) **Pred vklopom orodja odstranite z nje nastavitvena orodja ali vijačni ključ.** Orodje ali ključ, ki se nahajata na vrtečem se delu električnega orodja, lahko povzročita nezgodo.
- e) **Ne precenjujte se in poskrbite za varno stojišče in stalno ravnotežje.** Tako boste lahko v nepričakovani situaciji bolje obvladali orodje.
- f) **Oblecite se primerno. Ne nosite ohlapnih oblačil ali nakita. Las in oblačil ne približujte premikajočim se delom.** Ohlapna oblačila, nakit ali dolgi lasje se lahko ujamejo v premikajoče se dele.
- g) **Če je možno na orodje namestiti priprave za odsesavanje in prestrezanje prahu, prepričajte se, ali so le-te priključene in, če jih pravilno uporabljate.** Uporaba priprave za odsesavanje prahu zmanjšuje zdravstveno ogroženost zaradi prahu.
- h) **Naj seznanjenost z orodjem, ki jo pridobite s pogosto uporabo, ne bo razlog za to, da postanete lahkomišelní in ignorirate varnostna načela.** V deliču sekunde lahko nepozorno dejanje pripelje do hude poškodbe.

4) RAVNANJE IN NEGA ROČNEGA ORODJA

- a) **Ne preobremenjujte orodja. Za določeno delo uporabljajte električno orodje, ki je predvideno za opravljanje tega dela.** Ustreznim električnim orodjem boste delo opravili bolje in varneje, ker je bilo v ta namen tudi konstruirano.

- b) **Električno orodje, ki ima pokvarjeno stikalo, ne uporabljajte.** Električno orodje, ki ga ni možno vklopiti ali izklopiti, je nevarno in ga je potrebno popraviti.
- c) **Izvlomite vtič iz vtičnice in/ali odstranite akumulatorsko baterijo, če jo je mogoče izvzeti, še preden orodje popravljate, menjujete pribor ali ga shranite.** Ti preventivni varnostni ukrepi zmanjšajo tveganje za nenamenski zažig orodja.
- d) **Kadar orodja ne uporabljate ga shranjujte izven dosega otrok.** Osebam, ki orodja ne poznajo ali niso prebrale teh navodil, orodja ne dovolite uporabljati. Električna orodja so nevarna, če jih uporabljajo neizkušene osebe.
- e) **Vzdržujte električna orodja in pribor. Preverite, če premikajte se deli orodja delujejo brezhibno in če se ne zatikajo, oziroma, če kakšen del orodja ni zlomljen ali poškodovan do te mere, da bi oviral njegovo delovanje. Pred nadaljnjo uporabo bo potrebno poškodovani del popraviti.** Vzrok za številne nezgode so ravno slabo vzdrževana električna orodja.
- f) **Rezalna orodja naj bodo ostra in čista.** Skrbno negovana rezalna orodja z ostrimi rezili se manj zatikajo in so boljše vodljiva.
- g) **Električna orodja, pribor, nastavke in podobno uporabljajte v skladu s temi navodili. Pri tem upoštevajte delovne pogoje in vrsto dela, ki ga nameravate opraviti.** Zaradi uporabe električnega orodja v druge, nepredvidene namene, lahko nastanejo nevarne situacije.
- h) **Ročaji in površine za prijemanje naj bodo suhe, čiste in brez olja ali maščobe.** Gladki ročaji in površine za prijemanje ne omogočajo varne uporabe in nadzora orodja v nepričakovanih situacijah.
- 5) SKRBNO RAVNANJE Z AKUMULATORSKIMI NAPRAVAMI IN NJIHOVA UPORABA**
- a) **Prosimo, da akumulatorske baterije polnite samo v polnilnikih, ki jih priporoča proizvajalec.** Na polnilniku, predvidenem za polnjenje določene vrste akumulatorskih baterij, lahko pride do požara, če ga uporabljate za polnjenje drugih vrst akumulatorskih baterij.
- b) **Za pogon akumulatorskih orodij uporabljajte samo zanje predvidene akumulatorske baterije.** Uporaba drugačnih akumulatorskih baterij lahko povzroči telesne poškodbe ali požar.
- c) **Kadar akumulatorska baterija ni v orodju, pazite, da ne pride v stik s kovinskimi predmeti kot so pisarniške sponke, kovanci, ključji, želblji, vijaki ali ostalimi kovinskimi predmeti, ki bi lahko povzročili stik med obema poloma akumulatorja.** Kratek stik med kontakti akumulatorske baterije lahko povzroči opekline ali požar.
- d) **Pri napačni uporabi lahko iz akumulatorske baterije priteče tekočina. Izogibajte se stiku z njo. V primeru naključnega stika prizadeto mesto spirajte z vodo. Če pride akumulatorska tekočina v oči, po spiranju poiščite tudi zdravniško pomoč.** Iztekanje tekočine iz akumulatorja lahko povzroči draženje kože ali opekline.
- e) **Ne uporabljajte poškodovanih ali prilagojenih akumulatorskih baterij oz. orodij.** Poškodovane ali prilagojene akumulatorske baterije se lahko nepredvidljivo obnašajo, kar lahko povzroči požar, eksplozijo ali tveganje za poškodbe.
- f) **Akumulatorske baterije ali orodja ne izpostavljajte ognju ali previsoki temperaturi.** Izpostavljenost ognju ali vročini nad 130°C lahko povzroči eksplozijo.
- g) **Upoštevajte navodila za polnjenje in ne polnite akumulatorske baterije ali orodja pri temperaturi, ki je izven območja, navedenega v navodilih.** Če orodje polnite na nepravilen način ali pri temperaturah, ki so izven določenega območja, lahko pride do poškodb akumulatorske baterije, kar poveča tveganje za požar.
- 6) SERVISIRANJE**
- a) **Popravilo orodja lahko opravi samo usposobljena strokovna oseba in to izključno z originalnimi nadomestnimi deli.** Le tako bo ohranjena nadaljnja varnost orodja.
- b) **Nikdar ne popravljajte poškodovanih akumulatorskih baterij.** Akumulatorske baterije naj popravlja le proizvajalec ali pooblaščen servisier.

VARNOSTNA NAVODILA ZA AKUMULATORSKE VRTALNIKE/VIJAČNIKE

1) VARNOSTNA NAVODILA ZA VSE POSTOPKE

- a) **Pri udarnem vrtenju nosite zaščito sluha.** Izpostavljanje hrupu lahko povzroči izgubo sluha.
- b) **Če izvajate dela, pri katerih bi se lahko z orodjem za rezanje ali pritrdilnim elementom dotaknili skrite omrežne napeljave, držite električno orodje samo za izolirane ročaje.** Stik orodja za rezanje in pritrdilnih elementov z napeljavo, ki je pod napetostjo, lahko povzroči, da so tudi kovinski deli orodja pod napetostjo, kar lahko povzroči električni udar za upravljavca.

2) VARNOSTNA NAVODILA ZA UPORABO DOLGIH SVEDROV

- a) **Nikoli ne prekoračite največje nazivne hitrosti, določene za sveder.** Pri višjih hitrostih obstaja večja verjetnost, da se sveder upogne, če se lahko prosto vrti, ne da bi se dotaknil obdelovanca, in tako povzroči telesne poškodbe.
- b) **Če vedno začnite vrtati pri nizki hitrosti, konica svedra pa naj se dotika obdelovanca.** Pri višjih hitrostih obstaja večja verjetnost, da se sveder upogne, če se lahko prosto vrti, ne da bi se dotaknil obdelovanca, in tako povzroči telesne poškodbe.
- c) **Na obdelovance pritiskajte samo v neposredni liniji s svedrom, vendar pa ne pritiskajte premočno na obdelovanec.** Svedri se lahko upognejo in se zlomijo ali povzročijo izgubo nadzora ter s tem tudi telesne poškodbe.

SPLOŠNO

- Prah materialov, kot so barve, ki vsebujejo svinec, nekatere vrste lesa, mineralov ali kovin so lahko škodljivi (ob stiku ali vdihavanju lahko prah pri delavcu ali pri drugih prisotnih povzroči alergijsko reakcijo in/ali boleznijo dihal); **nosite masko za prah in pri delu uporabljajte napravo za odsesavanje prahu, kjer je le-to možno priključiti**
- Nekatere vrste prahu so klasificirane kot kancerogene (kot npr. prah hrasta in bukke) še posebno ob sočasni uporabi z dodatki za obdelavo lesa; **nosite masko za prah in pri delu uporabljajte napravo za odsesavanje prahu, kjer je le-to možno priključiti**
- Upoštevajte nacionalne zahteve glede prahu za materiale katere želite obdelovati

- **Ne obdelujte materiala, ki vsebuje azbest** (azbest povzroča rakasta obolenja)
- Pred nastavitvijo ali menjavo pribora in pri prenašanju ali shranjevanju orodja zagotovite, da je stikalo K ② v vmesni poziciji (zaklenjeno)

PRIBOR

- SKIL zagotavlja brezhibno delovanje orodja le z uporabo originalnega dodatnega pribora
- Uporabljajte lahko dodatni pribor, katerega dovoljena hitrost je najmanj enaka največji hitrosti orodja

PRED UPORABO

- Izogibajte se poškodb zaradi vijakov, žebeljev ali drugih elementov v obdelovancu; odstranite jih pred začetkom dela
- Vedno preverite, če je napetost omrežja enaka napetosti, ki je navedena na tablici podatkov polnilca
- **Zavarujte obdelovanec** (obdelovanec stisnjen v prižemi ali primežu je bolj varen kot v roki)
- **Za iskanje skritih električnih, plinskih in vodovodnih cevi uporabite primerne iskalne naprave (detektorje) ali se posvetujte z lokalnimi podjetji** (stik z električnimi vodniki lahko povzroči požar ali električni udar; poškodbe plinovoda lahko povzročijo eksplozijo, vdor v vodovodno omrežje pa materialno škodo ali električni udar)

MED UPORABO

- V primeru električnih ali mehanskih motenj takoj izključite orodje ali izvlecite vtičak polnilca iz vtičnice

AKUMULATORJI

- **Priloženi akumulator je delno napolnjen** (če želite zagotoviti polno zmogljivost akumulatorja, ga pred prvo uporabo popolnoma napolnite s polnilnikom za akumulator)
- **S tem orodjem lahko uporabljate samo te akumulatorje in polnilnike**
 - Akumulator SKIL: BR1*31****
 - Polnilnik SKIL: CR1*31****
- Ne uporabljajte poškodovanega akumulatorja, ampak ga zamenjajte
- Akumulatorja ne razstavlajte
- Orodja/akumulatorja ne izpostavljajte dežju
- Dovoljena temperatura okolice (orodje/polnilce/akumulator):
 - pri polnjenju 4...40°C
 - pri delu -20...+50°C
 - pri skladiščenju -20...+50°C

POJASNILO OZNAK NA ORODJU/BATERIJI

- ③ Pred uporabo preberite navodila za uporabo
- ④ Baterije lahko pri izpostavljanju odprtemu ognju eksplodirajo, zato jih nikoli ne sežigajte
- ⑤ Shranjujte orodje, polnilce in akumulator v prostoru, kjer temperatura ne bo preseгла 50°C
- ⑥ Ne odstranjujte električnega orodja in baterije s hišnimi odpadki

UPORABA

- Kombinirano stikalo za vklop/izklop in nastavev hitrosti A ②
 - hitrost se brezstopenjsko nastavlja od 0 do maksimalne z večjim ali manjšim pritiskom na stikalo
- Polnjenje akumulatorja
 - ! **Preberite varnostna opozorila in navodila, priložena polnilniku**
- Odstranitev/namestitev akumulatorja ②
- Namestitev sponke za pas ⑦
 - Sponko za pas L namestite na vrtnalnik s priloženim vijakom.

- Indikator stanja akumulatorja ⑧
 - pritisnite gumb indikatorja ravni napolnjenosti akumulatorja N, da prikažete trenutno raven napolnjenosti akumulatorja ⑧a
 - ! **ko začne utripati najnižja raven indikatorja akumulatorja po pritisku gumba N ⑧b, je akumulator prazen**
 - ! **ko začnejo utripati ravni 2 indikatorja akumulatorja po pritisku gumba N ⑧c, akumulator ni v dovoljenem razponu delovne temperature**
- Dioda LED M ⑩
 - Dioda LED M se samodejno vklopi, ko vklopite stikalo A
 - ! **ko LED-lučka začne utripati, je zaščita akumulatorja aktivirana (glejte spodaj)**
- Zaščita akumulatorja
 - Orodje se nenadoma izklopi ali pa ga ni mogoče vklopiti, kadar
 - **previsoka obremenitev** --> odstranite obremenitev in zaženite znova
 - **temperatura baterije ni v dovoljenem razponu delovne temperature od -20 do +50 °C** --> 2 ravni indikatorja napolnjenosti akumulatorja začnejo utripati, ko pritisnete gumb N ⑧c; počakajte, da se akumulator vrne v dovoljeni razpon delovne temperature
 - **akumulator je skoraj prazen (zaščitite ga pred popolno izpraznitvijo)** --> indikator napolnjenosti akumulatorja prikaže nizko raven napolnjenosti akumulatorja ali utripajočo nizko raven napolnjenosti akumulatorja ⑧b, ko pritisnete gumb N; napolnite akumulator
 - ! **po samodejnem izklopu ne pritiskajte stikala za vklop/izklop; baterija se lahko poškoduje**
- Menjava smeri vrtenja ⑨
 - v primeru, da preklonik smeri vrtenja ni v pravilnem položaju ni možno vklopiti stikala A ②
 - ! **preklop smeri vrtenja izvesti le pri popolnoma mirujočemu orodju**
- Menjava nastavkov ⑩
 - ! **ne uporabljajte nastavke s poškodovanim stebлом**
- Nastavev momenta (VariTorque) ⑪
 - vrtilni moment bo naraščal z vrtenjem nastavitvenega obroča sklopke B od 1 do 17
 - pri vijačenju vijakov najprej nastavimo sklopko na položaj 1 in nato povečujemo dokler ne dosežemo zelene globine
 - položaj F zaklene sklopko, kar omogoča navadno vrtenje ali teža dela
 - položaj D zaklene sklopko, kar omogoča samo udarno vrtenje
 - ! **pazite, da je prestava B v položaju 2, ko je obroč sklopke C v položaju za udarno vrtenje**
 - ! **položaja za udarno vrtenje ne uporabljajte D za vrtenje lesa, kovine, keramike in plastike, da se sveder/vijak ne poškodujeta**
- Mehanska izbira stopnje ⑫
 - nastavite stikalo G na zeleno hitrost
 - ! **stikalo za izbiro stopnje pritiskajte medtem, ko se orodje vrtil počasi**

1

- majhna hitrost
- večji moment
- za vijačenje in vrtenje večjih premerov
- za vrezovanje navojev

2

- večja hitrost
- nižji moment
- za udarno vrtnje
- za vrtnje manjših premerov
- Držanje in vodenje orodja (14)
- ! **med delom vedno držite orodje za sivo obarvano mesto oprijema**
- ventilacijske reže J (2) morajo biti nepokrite
- ne pritiskajte na orodje premočno; pustite da orodje sam opravi delo

VZDRŽEVANJE/SERVISIRANJE

- Orodje ni namenjeno profesionalni uporabi
- Orodje naj bo vedno čisto (še posebej prezračevalne odprtine H (2))
- ! **pred čiščenjem odstranite akumulator iz orodja**
- Če bi kljub skrbnim postopkoma izdelave in preizkušanja prišlo do izpada delovanja orodja, naj popravilo opravi servisna delavnica, pooblaščen za popravila SKILevih električnih orodij
- pošljite **nerazstavljeno** orodje skupaj s potrdilom o nakupu pri vašemu prodajalcu v najbližjo SKIL servisno delavnico (naslovi, kot tudi spisek rezervnih delov se nahaja na www.skil.com)
- Zavedajte se, da garancija ne vključuje poškodb zaradi preobremenitve orodja ali nepravilne rabe (glede SKILovih garancijskih pogojev obiščite www.skil.com ali povprašajte prodajalca)

UPORABNI NASVETI

- Uporabljajte ustrezne nastavke (15)
- ! **vedno uporabljajte ostre nastavke**
- Pri vrtnanju v kovine
- naprej izvrtajte manjšo luknjo, šele nato večjo
- sveder občasno naoiljite
- Pri vijačenju vijaka v les v bližini robu je potrebno predvrtati luknjo, s čimer boste preprečili pokanje lesa
- Za optimalno delo je potreben enakomeren pritisk na orodje, posebno pri odvijanju vijaka
- Pri privijanju vijaka v trd les priporočamo, da najprej izvrtate luknjo
- Vrtanje v les brez odlomljenih koščkov (16)
- Vrtanje v stene z zaščito proti prahu (17)
- Vrtanje v strop z zaščito proti prahu (18)
- Vrtanje v ploščice brez spodrsavanja (19)
- Za več informacij obiščite spletno stran www.skil.com

OKOLJE

- **Električnega orodja, baterije, pribora in embalaže ne odstranjujte s hišnimi odpadki** (samo za države EU)
- v skladu z Evropsko direktivo 2012/19/EG o odpadni električni in elektronski opremi in z njenim izvajanjem v nacionalni zakonodaji je treba električna orodja ob koncu njihove življenjske dobe ločeno zbirati in jih predati v postopek okolju prijaznega recikliranja
- ko je potrebno odstranjevanje, naj vas o načinu spomni simbol (6)
- ! **preden akumulator zavržete, prilepite kontakte z debelejšim izolirnim trakom, da preprečite kratek stik**

HRUP / VIBRACIJA

- Raven zvočnega tlaka tega orodja, ki je bila izmerjena v skladu s standardom EN 62841, je 83,0 dB(A), raven zvočne moči je 94,0 dB(A) (odstopanje K = 5 dB), skupne vrednosti vibracij * (triosna vektorska vsota; odstopanje K = 1,5 m/s²)
- * pri vrtnanju v kovino <2,5 m/s²
- * pri udarnem vrtnanju v beton 7,9 m/s²
- Raven oddajanja vibracij je bila izmerjena v skladu s standardiziranimi testi, navedenimi v EN 62841; uporabiti jo je mogoče za primerjavo različnih orodij med seboj in za predhodno primerjavo izpostavljenosti vibracijam pri uporabi orodja za namene, ki so omenjeni
- uporaba orodja za drugačne namene ali uporaba skupaj z drugimi, slabo vzdrževanimi nastavki lahko znatno **poveča** raven izpostavljenosti
- čas, ko je orodje izklopljeno ali ko teče, vendar z njim ne delamo, lahko znatno **zmanjša** raven izpostavljenosti
- ! **pred posledicami vibracij se zaščitite z vzdrževanjem orodja in pripadajočih nastavkov, ter tako, da so vaše roke tople, vaši delovni vzorci pa organizirani**

EST

Akulöökpuurtrell/-kruvikeeraja

3018/3020

SISSEJUHATUS

- Tööriist on ettenähtud tellise löökpuurimiseks ning puidu, metalli, keraamiliste ja plastmaterjalide löögita puurimiseks; seadmed, millel on elektrooniline pöörte reguleerimise ning parema/vasaku käigu funktsioon, sobivad ka kruvide keeramiseks ja keermete lõikamiseks
- Tööriist pole mõeldud professionaalseks kasutamiseks
- Palun lugege käesolev kasutusjuhend hoolikalt läbi ja hoidke alles (3)

TEHNILISED ANDMED (1)

Max pöördemoment tugeval kruvikeeramisrežiimil ISO 5393 kohaselt : 55Nm

SEADME OSAD (2)

- A Lüliti tööriista sisse-/väljalülitamiseks ja kiiruse kontrollimiseks
- B Pöördemomendi regulaator
- C Funktsiooni muutmise lüliti
- D Löökpuurimisasend
- E Puurimisasend
- F Kruvi keeramisasend
- G Käiguvaliku lüliti
- H Pöörlemissuuna näidik
- J Õhutussavad
- K Lüliti pöörlemissuuna muutmiseks
- L Võõklamber
- M LED-märgutuli
- N Aku laetuse astme indikaator

OHUTUS

ÜLDISED OHUTUSNÕUDED ELEKTRILISTE TÖÖRIISTADE KASUTAMISEL

⚡ HOIATUS Lugege kõiki hoiatusi, juhiseid, kirjeldusi ja spetsifikatsioone, mis käivad tööriistaga kaasas.

Kui kõiki allpool loetletud juhiseid ei õnnestu järgida, võite saada elektrilöögi, võib tekkida tulekahju ja/või saada raskelt vigastada.

Hoidke kõik ohutusnõuded ja juhised edaspidiseks alles.

Allpool kasutatud mõiste "elektriline tööriist" käib võrgutoitega (toitejuhtmega) elektriliste tööriistade ja akutoitega (ilma toitejuhtmata) elektriliste tööriistade kohta.

1) OHUTUSNÕUDED TÖÖPIIRKONNAS

- Hoidke töökoht puhas ja korras.** Segadus või valgustamata tööpiirkonnad võivad põhjustada õnnetusi.
- Ärge kasutage seadet plahvatusohtlikus keskkonnas, kus leidub tuleohtlikke vedelikke, gaase või tolmu.** Elektrilistest tööriistadest lööb sädemeid, mis võivad tolmu või auru süüdata.
- Kui kasutate elektrilist tööriista, hoidke lapsed ja teised isikud töökohast eemal.** Kui Teie tähelepanu kõrvale juhitakse, võib seade Teie kontrolli alt väljuda.

2) ELEKTRIOHUTUS

- Seadme pistik peab pistikupessa sobima.** Pistiku kallal ei tohi teha mingeid muudatusi. Ärge kasutage kaitsemaandusega seadmete puhul adapterpistikuid. Muutmata pistikud ja sobivad pistikupesad vähendavad elektrilöögi saamise riski.
- Vältige kehakontakti maandatud pindadega, nagu torud, radiaatorid, pliidid ja külmikud.** Kui Teie keha on maandatud, on elektrilöögi risk suurem.
- Hoidke seadet vihma ja niiskuse eest.** Kui elektriseadmesse on sattunud vett, on elektrilöögi saamise risk suurem.
- Ärge kasutage toitejuhet selleks mitte ettenähtud otstarbel seadme kandmiseks, ülesriputamiseks ega pistiku pistikupesast väljatõmbamiseks.** Hoidke toitejuhet kuumuse, õli, teravate servade ja seadme liikuvate osade eest. Kahjustatud või keerduläinud toitejuhtmed suurendavad elektrilöögi saamise riski.
- Kui töotate elektrilise tööriistaga vabas õhus, kasutage ainult selliseid pikendusjuhtmeid, mida on lubatud kasutada ka välistingimustes.** Välistingimustes kasutamiseks sobiva pikendusjuhtme kasutamine vähendab elektrilöögi saamise riski.
- Kui elektrilise tööriista kasutamine niiskes keskkonnas on vältimatu, kasutage maandusega lekkevoolukaitset.** Maandusega lekkevoolukaitse kasutamine vähendab elektrilöögi ohtu.

3) INIMESTE TURVALISUS

- Olge tähelepanelik, jälgige, mida Te teete, ning toimige elektrilise tööriistaga töötades mõistlikult.** Ärge kasutage seadet, kui olete väsinud või uimastite, alkoholi või ravimite mõju all. Hetkeline tähelepanematus seadme kasutamisel võib põhjustada tõsiseid vigastusi.
- Kandke isikukaitsevahendeid ja alati kaitseprille.** Isikukaitsevahendite, nagu tolmu- ja libisemiskindlad

turvajalatsid, kaitsekiiver või kuulmiskaitsevahendid, kandmine – sõltuvalt elektrilise tööriista tüübist ja kasutusala – vähendab vigastuste riski.

- Vältige seadme tahtmatut käivitamist.** Enne pistiku ühendamist pistikupesaga, aku ühendamist seadme külge, seadme ülestõstmist ja kandmist veenduge, et elektriline tööriist on välja lülitatud. Kui hoiate elektrilise tööriista kandmisel sõrme lülitil või ühendate vooluvõrku sisselülitatud seadme, võivad tagajärjeks olla õnnetused.
 - Enne seadme sisselülitamist eemaldage selle küljest reguleerimis- ja mutrivõtmed.** Seadme pöörleva osa küljes olev reguleerimis- või mutrivõti võib põhjustada vigastusi.
 - Ärge hinnake end üle. Võtke stabiilne tööasend ja hoidke kogu aeg tasakaalu.** Nii saate seadet ootamatutes olukordades paremini kontrollida.
 - Ärge sobivat rõivastust. Ärge kandke lau riideid ega ehteid.** Hoidke juuksed ja rõivad seadme liikuvatest osadest eemal. Lotendavad riided, ehted või pikad juuksed võivad sattuda seadme liikuvate osade vahele.
 - Kui on võimalik paigaldada tolmuemaldus- ja tolmu kogumisseadiseid/seadmeid, veenduge, et need oleksid seadmega ühendatud ja et neid kasutatakse õigesti.** Tolmuemaldusseadise kasutamine vähendab tolmust põhjustatud ohte.
 - Ärge muutuge tööriista sagedasest kasutamisest hooletuks ja ärge eirake ohutusnõudeid.** Hooletus võib sekundi murdosa jooksul kaasa tuua raskeid vigastusi.
- ### **4) ELEKTRILISTE TÖÖRIISTADE HOOLIKAS KÄSITSEMINE JA KASUTAMINE**
- Ärge koormake seadet üle.** Kasutage töö tegemiseks selleks ettenähtud elektrilist tööriista. Sobiva elektrilise tööriistaga töötate paremini ja turvalisemalt ettenähtud võimsusvahemikus.
 - Ärge kasutage elektrilist tööriista, mille lülitit on rikkis.** Elektriline tööriist, mida ei ole enam võimalik sisse ja välja lülitada, on ohtlik ning seda tuleb remontida.
 - Tõmmake pistik pistikupesast välja ja/või eemaldage seadmest aku, kui on eemaldatav, enne seadme reguleerimist, tarvikute vahetamist ja seadme ärapanekut.** See ettevaatusabinõu väldib seadme tahtmatut käivitamist.
 - Kasutusvälisel ajal hoidke elektrilisi tööriistu lastele kättesaamatult.** Ärge laske seadet kasutada isikutel, kes seda ei tunne või pole siintoodud juhiseid lugenud. Kogenematute kasutajate käes kujutavad elektrilised tööriistad ohtu.
 - Hoolitsege elektriliste tööriistade ja tarvikute eest korralikult.** Kontrollige, kas seadme liikuvad osad funktsioneerivad korralikult ja ei kiildu kinni, ning ega mõned osad ei ole katki või sel määral kahjustatud, et võiksid mõjuda seadme töökindlust. Laske kahjustatud osad enne seadme kasutamist parandada. Paljude õnnetuste põhjuseks on halvasti hooldatud elektrilised tööriistad.
 - Hoidke lõiketarvikud teravad ja puhtad.** Hoolikalt hoitud, teravate lõikeservadega lõiketarvikud kiilduvad harvemini kinni ja neid on lihtsam juhtida.
 - Kasutage elektrilist tööriista, lisavarustust, tarvikuid jne vastavalt siintoodud juhistele.** Arvestage seejuures töötajate ja teostatava töö

iseloomuga. Elektriliste tööriistade kasutamine mitte ettenähtud otstarbel võib põhjustada ohtlikke olukordi.

- h) **Hoidke käepidemed ja haardepinnad kuiva ja puhtana ning vabana õlist ja määrdeainetest.** Libedad käepidemed ja haardepinnad ei luba tööriista ohutult käsitseda ja ootamatutes olukordades kontrolli all hoida.
- 5) **AKUTÖÖRIISTADE HOOLIKAS KÄSITSEMIN JA KASUTAMINE**
- a) **Laadige akusid ainult tootja poolt soovitatud akulaadijatega.** Akulaadija, mis sobib teatud tüüpi akudele, muutub tuleohtlikuks, kui seda kasutatakse teiste akudega.
- b) **Kasutage elektrilistes tööriistades ainult selleks ettenähtud akusid.** Teiste akude kasutamine võib põhjustada vigastusi ja tulekahjujuhtu.
- c) **Hoidke kasutusel mitteolevad akud eemal kirjajaklambritest, müntidest, võtmetest, naeltest, kruvidest või teistest väikestest metallesemetest, mis võivad kontaktid omavahel ühendada.** Akukontaktide vahel tekkiva lühise tagajärjeks võivad olla põletused või tulekahju.
- d) **Väärkasutuse korral võib akuvedelik välja voolata. Vältige sellega kokkupuudet. Juhusliku kokkupuute korral loputage kahjustatud kohta veega. Kui vedelik satub silma, pöörduge lisaks arsti poole.** Väljavoolav akuvedelik võib põhjustada nahaärritusi või põletusi.
- e) **Ärge kasutage akut ega tööriista, mis on kahjustada saanud või mida on modifitseeritud.** Kahjustada saanud või modifitseeritud akud võivad põhjustada tulekahju, plahvatuse, kehavigastusi ja varalist kahju.
- f) **Kaitske akut ja elektrilist tööriista leekide ja väga kõrgete temperatuuride eest.** Kokkupuude leekidega või üle 130°C temperatuuriga võib põhjustada plahvatuse.
- g) **Järgige kõiki laadimisjuhiseid ja ärge laadige akut väljaspool juhistes määratletud temperatuurivahemikku.** Nõuetele mittevastav laadimine või laadimine väljaspool ettenähtud temperatuurivahemikku võib akut kahjustada ja suurendada tulekahju ohtu.
- 6) **TEENINDUS**
- a) **Laske seadet parandada ainult kvalifitseeritud spetsialistidel ja ainult originaalvaruosadega.** Nii tagate seadme püsimise turvalisena.
- b) **Ärge kunagi käidelda kahjustada saanud akusid.** Akusid võivad käidelda vaid tootja esindajad või volitatud hooldekeskuse töötajad.

OHUTUSJUHISED AKUTRELL-KRUVIKEERAJA KOHTA

- 1) **OHUTUSJUHISED KÕIKIDE TOIMINGUTE KORRAL**
- a) **Kandke löökpuurimise ajal kõrvaklappe** Kokkupuude müraga võib põhjustada kuulmiskadu
- b) **Kui lõiketarvik või kinnitusdetail võib kokku puutuda peidetud juhtmestikuga, hoidke elektrilist tööriista isoleeritud haardepinnast.** Lõiketarviku ja kinnitusdetailide kokkupuude pingestatud juhtmega võib elektrilise tööriista metallosi pingestada ning see võib käitajale elektrilööki põhjustada
- 2) **OHUTUSJUHISED PIKA PUURI KASUTAMISE KORRAL**
- a) **Ärge kasutage kunagi kiirusel, mis ületab puuri maksimaalset nimikiirust** Suuremal kiirusel võib

- lõiketera vabalt pöörlemise ja töödeldava detailiga kokkupuute puudumise korral põhjustada isikukahju.
- b) **Puurimist tuleb alustada alati madalal kiirusel ja puuri lõiketera peab töödeldava detailiga kokku puutama** Suuremal kiirusel võib lõiketera vabalt pöörlemise ja töödeldava detailiga kokkupuute puudumise korral põhjustada isikukahju.
- c) **Rakendage jõudu ainult otse lõiketerale ja ärge rakendage liigselt jõudu** Lõiketerad võivad painduda ja põhjustada seeläbi purunemist või kontrolli kaotamist ning isikukahju

ÜLDIST

- Värviga kaetud juhtmed, mõned puiduliigid, mineraalid ja metall eraldavad tolm, mis võib olla kahjulik (kokkupuude tolmuga või selle sissehingamine võib seadme kasutajal või läheduses viibival inimesel põhjustada allergilisi reaktsioone ja/või hingamisteede haigusi); **kandke tolmumaski ja vajaduse korral töötage külgeühendatava tolmueemaldusseadmega**
- Teatud tüüpi tolm on klassifitseeritud kantserogeensena (nt tammest ja kasest eralduv tolm), eriti koos puidu niiskuse reguleerimiseks kasutatavate lisanditega; **kandke tolmumaski ja vajaduse korral töötage külgeühendatava tolmueemaldusseadmega**
- Erinevate materjalide töötlemisel tekkiva tolmuga käitlemisel tuleb järgida kehtivaid nõudeid
- **Asbestisisaldava materjali töötlemine on keelatud** (asbest võib tekitada vähki)
- Enne seadistustööde tegemist seadme kallal ning tarvikute vahetust, samuti enne seadme transportimist ja hoiustamist veenduge, et lüliti K ② oleks keskasendis (lukustatud asendis)

TARVIKUD

- SKIL tagab seadme häireteta töö üksnes originaaltarvikute kasutamisel
- Kasutage vaid neid tarvikuid, mille lubatud pöörete arv on vähemalt sama suur nagu maksimaalsed tühikäigupöörded

ENNE KASUTAMIST

- Vältige töödeldavas esemes olevatest kruvidest, naeltest vms põhjustatud kahjustusi; eemaldage need enne töö alustamist
- Kontrollige alati, kas võrgupinge ühtib laadija andesildil toodud pingega
- **Fikseerige toorik** (fiksaatoriga kinnitatud või kruustangide vahele pandud toorik püsib kindlamini paigal kui lihtsalt käega hoides)
- **Varjatult paiknevate elektrijuhtmete, gaasi- või veetorude avastamiseks kasutage sobivaid otsimiseseadmeid või pöörduge kohaliku elektri-, gaasi- või vee-ettevõtte poole** (kokkupuutel elektrijuhtmetega tulekahju- ja elektrilöögioht; gaasitorustiku vigastamisel plahvatusoht; veetorustiku vigastamisel materiaalne kahju või elektrilöögioht)

KASUTAMISE AJAL

- Kui seade töötab ebaharilikult või teeb kummalist müra, lülitage see viivitamatult välja või tõmmake laadija pistik pistikupesast välja

AKUD

- **Kaasasolev aku on osaliselt laetud** (aku täisjärguluse tagamiseks laadige aku enne elektrilise tööriista esimest kasutamist akulaadijas korralikult täis)
- **Kasutage selle tööriistaga ainult järgmiseid akusid ja laadijaid**
 - SKILi aku: BR1*31****
 - SKILi laadija: CR1*31****

- Ärge kasutage kahjustatud akusid, vaid vahetage need välja
- Ärge võtke akut lahti
- Ärge jätke tööriista/akut vihma kätte
- Ümbritseva keskkonna lubatud temperatuur (tööriista/laadijat/akut):
 - laadimisel 4...40°C
 - töötamisel -20...+50°C
 - säilitamisel -20...+50°C

TÖÖRIISTA/LAKUL OLEVATE SÜMBOLITE SELGITUS

- Enne kasutamist tutvuge kasutusjuhendiga
- Tulle visatud akud plahvatavad, seepärast ei tohi akut mingil põhjusel põletada
- Hoidke tööriista/laadijat/akut toatemperatuuril vahemikus 0° kuni 50°C
- Ärge visake kasutuskoõlbmatuks muutunud elektrilisi tööriistu ja patareisid ära koos olmejäätmetega

KASUTAMINE

- Kombinatsioonlülitit sisse-/väljalülitamiseks ning kiiruse kontrolliks A ②
 - avaldades lülitile suuremat või väiksemat survet, saab kiirust sujuvalt reguleerida nullist kuni maksimaalsete pööreteni
- Aku laadimine
 - ! lugege laadijaga kaasasolevaid ohutushoiatusi ja juhiseid
- Aku eemaldamine/paigaldamine ②
- Rihma klambri paigaldamine ⑦
 - kinnitage rihma klamber L puuri külge kaasasoleva kruviga.
- Aku laetuse astme näidik ⑧
 - vajutage aku täitetaseme nuppu N, et kuvada praegune aku täitetas ⑧a
 - ! kui aku laetuse indikaatori madalaim tase hakkab vilkuma, vajutades nupuke N ⑧b, on aku tühi
 - ! kui 2 tasemed aku laetuse indikaatoril hakkavad vilkuma, vajutades nupule N ⑧c, ei ole aku selle lubatud töötemperatuuri vahemikus
- LED-märgutuli M ⑬
 - LED-märgutuli M lülitub lülitit A aktiveerimisel automaatselt sisse
 - ! kui LED-märgutuli hakkab vilkuma, on aku kaitse rakendatud (vt allpool)
- Aku kaitse
 - Tööriist lülitatakse järsku välja või takistatakse selle sisselülitamist, kui
 - koormus on liiga suur --> eemaldage koormus ja taaskäivitage
 - Aku temperatuur ei ole lubatud töötemperatuuri vahemikus -20 kuni +50 °C --> 2 aku laetuse taseme indikaatorid hakkavad vilkuma, kui vajutatakse nuppu N ⑧c; oodake, kuni aku naaseb lubatud töötemperatuuri vahemikku
 - aku on peaaegu tühi (et kaitsta täieliku tühjenemise eest) --> madal akutase või vilkuv madal akutase ⑧b kuvatakse aku laetuse astme indikaatoril, vajutades nupule N; laadige akut
 - ! ärge vajutage enam lülitile (sisse/välja), kui tööriist on end automaatselt välja lülitanud, sest see võib akut kahjustada
- Pöörlemissuuna ümberlülitamine ⑨
 - kui lülitit ei ole korralikult fikseerunud vasakus/paremas asendis, ei ole võimalik tööülilitle A ② vajutada

! pöörlemissuunda tohib muuta üksnes siis, kui seade on täielikult seiskunud

- Otsakute vahetamine ⑩
 - ! ärge kasutage kahjustatud varrega otsakuid
- Pöördemomendi kontroll (VariTorque) ⑪
 - pöördemomendi suurendamiseks pöörake sidurirõngast B asendist 1 asendisse 17
 - kruvi sissekeeramist alustage VariTorque asendis 1 ja suurendage siis tasapisi pöördemomenti, kuni soovitud sügavus on saavutatud
 - asend F lukustab siduri (lööki ei toimu), et võimaldada puurimist või raskemat tööd
 - asend D lukustab siduri, et võimaldada löökpuurimist
 - ! veenduge, et kiiruse valija B on asendis 2, kui siduri rõngas C on löökpuurimise asendis
 - ! ärge kasutage löökpuurimisasendis D puidu, metalli, keraamika ja plastiku puurimiseks, et vältida puuri-/kruviotsiku kahjustamist
- Mehaaniline käiguvalik ⑫
 - valige lülitit G abil soovitud pöörded
 - ! käiguvaliku lülitit tohib ümber lülitada siis, kui seade töötab aeglastel pööretel
 - 1
 - aeglase kiirus
 - suur pöördemoment
 - kruvide keeramiseks ja suure läbimõõduga aukude puurimiseks
 - keermete puurimiseks
 - 2
 - suur kiirus
 - madal pöördemoment
 - löökpuurimiseks
 - väikese läbimõõduga aukude puurimiseks
- Tööriista hoidmine ja juhtimine ⑭
 - ! töötamise ajal hoidke tööriista kinni korpuse ja käepideme halli värvi osadest
 - hoidke õhutusavad J ② kinnikatmata
 - ärge suruge tööriistale liigselt; laske sellel enda heaks töötada

HOOLDUS/TEENINDUS

- Tööriist pole mõeldud professionaalseks kasutamiseks
- Hoidke tööriist alati puhtana (eriti ventilatsioonivad H ②)
- ! enne puhastamist eemaldage tööriistast aku
- Tööriist on hoolikalt valmistatud ja testitud; kui tööriist sellest hoolimata rikki läheb, tuleb see lasta parandada SKILi elektriliste käsitööriistade volitatud remonditöökojas
 - toimetage lahtimonteerimata seade koos ostukviitungiga tarnijale või lähimasse SKILi lepingulisse töökotta (aadressid ja tööriista varuosade loonise leiate aadressil www.skil.com)
- Arvestage sellega, et garantii ei hõlma seadme ülekoormamisest või ebaõigest käsitsemisest tulenevaid kahjustusi (teavet SKILi garantiitingimuste kohta vaadake veebilehelt www.skil.com või küsige kohalikult müügiesindajalt)

TÖÖJUHISED

- Kasutage sobivaid otsakuid ⑩
- ! kasutage üksnes teravaid otsakuid
- Metallil puurimisel
- kui vajate suuremat aku, puurige algul ette väike auk

- määrige otsakuid aeg-ajalt õliga
- Krui keeramisel puidu otsapiirkonda on soovitav auk ette puurida, et vältida puidu lõhenemist
- Tööriista optimaalseks kasutamiseks on vajalik pidev surve kruvile, eriti krui väljakeeramisel
- Krui keeramisel kõvasse puitu on soovitav auk ette puurida
- Puidu puurimine puitu kahjustamata ⁽¹⁶⁾
- Müririte puurimine tolmukitamatamata ⁽¹⁷⁾
- Lagede puurimine tolmukitamatamata ⁽¹⁸⁾
- Keraamiliste plaatide puurimine, ilma et puur libiseks ⁽¹⁹⁾
- Lisateavet lugege aadressilt www.skil.com

KESKKOND

- **Ärge visake kasutuskõlbmatuks muutunud elektrilisi tööriistu, patareisid, lisatarvikuid ja pakendeid ära koos olmejäätmetega** (üksnes EL liikmesriikidele)
 - vastavalt Euroopa Parlamendi ja nõukogu direktiivile 2012/19/EÜ elektri- ja elektroonikaseadmete jäätmete kohta ning direktiivi nõuete kohaldamisele liikmesriikides tuleb kasutuskõlbmatuks muutunud elektrilised tööriistad koguda eraldi ja keskkonnasäästlikult korduvkasutada või ringlusse võtta
 - seda meenutab Teile sümbol ⁽⁶⁾
 - ! **enne aku kahjutustamist katke selle otsad kaitseks tugeva teibiga, et vältida lühisahela teket**

MÜRA / VIBRATSIOON

- Standardiga EN 62841 kooskõlas mõõdetud tööriista helirõhu tase on 83,0 dB(A) ja helivõimsuse tase 94,0 dB(A) (määramatus K = 5 dB), ja vibratsioon
 - * (ruumiliste vektorite summa; mõõtemääramatus K = 1,5 m/s²)
 - * metalli puurimisel <2,5 m/s²
 - * betooni löökpuurimisel 7,9 m/s²
- Tekkiva vibratsiooni tase on mõõdetud vastavalt standardis EN 62841 kirjeldatud standarditud testile; seda võib kasutada tööriistade võrdlemiseks ja tööriista kasutamisel ettenähtud töödeks esineva vibratsiooni esialgseks hindamiseks
 - tööriista kasutamisel muudeks rakendusteks või teiste/halvasti hooldatud tarvikute kasutamisel võib vibratsioon märkimisväärselt **suureneda**
 - ajal, kui tööriist on väljalülitatud või on küll sisselülitatud, kuid tegelikult seda ei kasutata, võib vibratsioon märkimisväärselt **väheneda**
- ! **enda kaitsemiseks vibratsiooni eest hooldage tööriista ja selle tarvikuid korralikult, hoidke oma käed soojad ja tagage sujuv töökorraldus**

LV

Akumulatora triecienurbjmašina/ skrvügriezis 3018/3020

IEVADS

- Šis instruments ir paredzēts triecienurbšanai mūrī kā arī rotācijas uršanai kokā, metālā, keramikas izstrādājumos un plastmasā; instrumenta modeļi ar elektronisko ātruma regulēšanas sistēmu un darbvārpstas griešanās virziena

pārslēgšanu ir piemēroti arī skrvūju ieskrūvēšanai un vītņu griešanai

- Šis darbarīks nav paredzēts profesionālai lietošanai
- Izlasiet un saglabājiet šo pamācību ⁽³⁾

TEHNISKIE PARAMETRI ⁽¹⁾

Maks. griezes moments cietam skrvūvēšanas režīmam atbilstoši standartam ISO 5393 : 55Nm

INSTRUMENTA ELEMENTI ⁽²⁾

- A** Ieslēdzējs un griešanās ātruma regulators
- B** Gredzens griezes momenta regulēšanai
- C** Funkcijas maiņas slēdzis
- D** Triecienurbšanas pozīcija
- E** Urbšanas pozīcija
- F** Skrvūvēšanas pozīcija
- G** Pāresumu pārslēdzējs
- H** Indikators, kas norāda izvēlēto rotācijas virzienu
- J** Ventilācijas atveres
- K** Griešanās virziena pārslēdzējs
- L** Jostas klipsis
- M** Gaismas indikators
- N** Akumulatora uzlādes pakāpes indikators

DROŠĪBA

VISPĀRĒJIE NOTEIKUMI ELEKTROINSTRUMENTU DROŠAI LIETOŠANAI

⚠ BRĪDINĀJUMS Iepazīstieties ar visiem šī elektroinstrumenta drošas lietošanas noteikumiem, norādījumiem, attēliem un specifiskajām. Visu turpmāk sniegto norādījumu neizpildes rezultātā lietotājs var ciest no elektrošoka, var izvērsties ugunsnelaime un/vai rasties smagi ievainojumi.

Saglabājiet visus noteikumus un norādījumus turpmākai atsaucēi.

Noteikumos minētais termins "elektroinstruments" nozīmē ar strāvu darbināmu (ar vadu aprīkotu) vai ar akumulatoru darbināmu (bezvadu) elektroinstrumentu.

1) DROŠĪBA DARBA VIETĀ

- a) **Sekoji, lai darba vieta būtu tīra un sakārtota.** Nekārtīgā darba vietā vai sliktā apgaismojumā var viegli notikt nelaimes gadījums.
- b) **Nelietojiet elektroinstrumentu eksplozīvu vai ugunsnedrošu vielu tuvumā un vietās ar paaugstinātu gāzes vai putekļu saturu gaisā.** Darba laikā instruments nedaudz dzirksteļo, un tas var izsaukt viegli degošu putekļu vai tvaiku aizdegšanos.
- c) **Lietojot elektroinstrumentu, neļaujiet nepiederošām personām un jo īpaši bērniem tuvioties darba vietai.** Citu personu klātbūtnē var novērst uzmanību, un tā rezultātā jūs varat zaudēt kontroli pār instrumentu.

2) ELEKTRODROŠĪBA

- a) **Elektroinstrumenta kontaktdakšai jābūt piemērotai elektrotīkla kontaktlīgždai. Kontaktdakšas konstrukciju nedrīkst nekādā veidā mainīt. Nelietojiet kontaktdakšas salāgotājus, ja elektroinstruments caur kabeli tiek savienots ar aizsargzemējuma ķēdi. Neizmainītas konstrukcijas**

- kontaktdakša, kas piemērota kontaktlīdzīdai, ļauj samazināt elektriskā trieciena saņemšanas risku.
- b) **Darba laikā nepieskarieties sazēmētiem priekšmetiem, piemēram, caurulēm, radiatoriem, plītiņiem vai ledusskapjiem.** Pieskaroties sazēmētām virsmām, pieaug risks saņemt elektrisko triecienu.
- c) **Nelietojiet elektroinstrumentu lietus laikā, neturiet to mitrumā.** Mitrumam iekļūstot instrumentā, pieaug risks saņemt elektrisko triecienu.
- d) **Nenesiet un nepiekariet elektroinstrumentu aiz elektrokabeļa.** Neraujiet aiz kabeļa, ja vēlaties atvienot instrumentu no elektroķīkla kontaktlīdzīdas. **Sargājiet elektrokabeļi no karstuma, eļļas, asām šķautnēm un instrumenta kustīgajām daļām.** Bojāts vai samezģojies elektrokabeļis var būt par cēloni elektriskajam triecienam.
- e) **Darbinot elektroinstrumentu ārpus telpām, izmantojiet tā pievienošanai vienīgi tādus pagarinātājkabeļus, kuru lietošana ārpus telpām ir atļauta.** Lietojot elektrokabeļi, kas piemērots darbam ārpus telpām, samazinās risks saņemt elektrisko triecienu.
- f) **Ja elektroinstrumentu tomēr nepieciešams lietot vietās ar paaugstinātu mitrumu, izmantojiet tā pievienošanai noplūdes strāvas aizsargreleju.** Lietojot noplūdes strāvas aizsargreleju, samazinās risks saņemt elektrisko triecienu.
- 3) PERSONISKĀ DROŠĪBA**
- a) **Darba laikā saglabājiet paškontroli un rīkojieties saskaņā ar veselo saprātu.** Pārtrauciet darbu, ja jūtaties noguris vai atrodaties alkohola, narkotiku vai medikamentu izraisītā reibumā. Strādājot ar elektroinstrumentu, pat viens neuzmanības mirklis var būt par cēloni nopietnam savainojumam.
- b) **Izmantojiet individuālos darba aizsardzības līdzekļus un darba laikā vienmēr nēsājiet aizsargbrilles.** Individuālo darba aizsardzības līdzekļu (puteķļu maskas, neslidošu apavu un aizsargķiveres vai ausu aizsargu) pielietošana atbilstoši elektroinstrumenta tipam un veicamā darba raksturam ļauj izvairīties no savainojumiem.
- c) **Nepieļaujiet elektroinstrumenta patvaļīgu ieslēgšanos.** Pirms elektroinstrumenta pievienošanas elektroķīklam, akumulatora ievietošanas vai izņemšanas, kā arī pirms elektroinstrumenta pārņemšanas pārlicinieties, ka tas ir izslēgts. Pārnesot elektroinstrumentu, ja pirksts atrodas uz ieslēdzēja, kā arī pievienojot to elektrobarošanas avotam laikā, kad elektroinstrumenta ir ieslēgts, var viegli notikt nelaimes gadījums.
- d) **Pirms instrumenta ieslēgšanas neaizmirstiet izņemt no tā regulējošos instrumentus vai skrūvjatslēgas.** Patronatslēga vai skrūvjatslēga, kas instrumenta ieslēgšanas brīdī nav izņemta no tā, var radīt savainojumu.
- e) **Strādājot ar elektroinstrumentu, ieturiet stingru stāju.** Darba laikā vienmēr saglabājiet līdzsvaru un centieties nepaslidēt. Tas atvieglos instrumenta vadību neparedzētās situācijās.
- f) **Izvēlieties darbam piemērotu apģērbu.** Darba laikā nenēsājiet brīvi plandošas drēbes un rotaslietas. Netuviniet garus matus un drēbes elektroinstrumenta kustīgajām daļām. Vaļīgas drēbes, rotaslietas un gari mati var iekļerties instrumenta kustīgajās daļās.
- g) **Ja elektroinstrumenta konstrukcija ļauj tam pievienot ārējo puteķļu uzsūkšanas vai savākšanas/uzkrāšanas ierīci, sekojiet, lai tā tiktu pievienota elektroinstrumentam un pareizi darbotos.** Pielietojot puteķļu uzsūkšanu vai savākšanu/uzkrāšanu, samazinās to kaitīgā ietekme uz strādājošās personas veselību.
- h) **Nepaļaujieties uz iemaņām, kas tiek iegūtas, bieži lietojot instrumentus, neieslīgstiet pašapmierinātība un neignorējiet instrumenta drošas lietošanas principus.** Neuzmanīgas rīcības dēļ dažās sekundes daļās var gūt nopietnu savainojumu.
- 4) ELEKTROINSTRUMENTU LIETOŠANA UN APKOPE**
- a) **Nepārslodojiet elektroinstrumentu.** Katram darbam izvēlieties piemērotu instrumentu. Elektroinstrumenta darbosies labāk un drošāk pie nominālās slodzes.
- b) **Nelietojiet elektroinstrumentu, ja ir bojāts tā ieslēdzējs.** Elektroinstrumenta, ko nevar ieslēgt un izslēgt, ir bīstams lietošanai un to nepieciešams remontēt.
- c) **Pirms elektroinstrumenta apkopes, regulēšanas vai darbinstrumenta nomaiņas atvienojiet tā kontaktdakšu no barojošā elektroķīkla vai izņemiet no tā akumulatoru, ja tas ir izņemams.** Šādi iespējams samazināt elektroinstrumenta nejaušas ieslēģšanās risku.
- d) **Elektroinstrumentu, kas netiek darbināts, uzglabājiet piemērotā vietā, kur tas nav sasniedzams bērniem un personām, kuras neprot rīkoties ar instrumentu.** Ja elektroinstrumentu lieto nekompetentas personas, tas var apdraudēt cilvēku veselību.
- e) **Savlaicīgi apkalpojiet elektroinstrumentus un to piederumus.** Pārbaudiet, vai kustīgās daļas darbojas bez traucējumiem un nav iespīlētas, vai kāda no daļām nav salauzta vai bojāta, vai katra no tām pareizi funkcionē un pilda tai paredzēto uzdevumu. Nodrošiniet, lai bojātās daļas tiktu savlaicīgi nomainītas vai remontētas pilnvarotā remontu darbnīcā. Daudzi nelaimes gadījumi notiek tāpēc, ka elektroinstrumentus pirms lietošanas nav pienācīgi apkalpots.
- f) **Savlaicīgi notīriet un uzasiniet griezošos darbinstrumentus.** Rūpīgi kopti instrumenti, kas apgādāti ar asiem griezējinstrumentiem, ļauj strādāt daudz dažīgāk un ir vieglāk vadāmi.
- g) **Lietojiet vienīgi tādus elektroinstrumentus, lietojiet piederumus, darbinstrumentus utt., kas paredzēti attiecīgajam pielietojuma veidam.** Bez tam jāņem vērā arī konkrētie darba apstākļi un pielietojuma īpatnības. Elektroinstrumentu lietošana citiem mērķiem, nekā to ir paredzējis ražotājfirma, ir bīstama un var novest pie neparedzamām sekām.
- h) **Uzturiet elektroinstrumenta rokturus un noturvirsmas sausas un tīras, sargājiet tās no eļļas un smērvielām.** Slideni rokturi un noturvirsmas traucē efektīvi rīkoties ar elektroinstrumentu un to droši vadīt neparedzētās situācijās.
- 5) AKUMULATORA ELEKTROINSTRUMENTU LIETOŠANA**
- a) **Akumulatora uzlādei lietojiet tikai tādu uzlādes ierīci, ko ir ieteikusi elektroinstrumenta ražotājfirma.**

Katra uzlādes ierīce ir paredzēta tikai noteikta tipa akumulatoram, un mēģinājums to lietot cita tipa akumulatoru uzlādei var novest pie uzlādes ierīces un/vai akumulatora aizdegšanās.

- b) **Pievienojiet elektroinstrumentam tikai tādu akumulatoru, ko ir ieteikusi instrumenta ražotājfirma.** Cita tipa akumulatoru lietošana var novest pie elektroinstrumenta un/vai akumulatora aizdegšanās.
- c) **Laikā, kad akumulators ir atvienots no elektroinstrumenta, nepieļaujiet, lai tā kontakti saskartos ar saspraudēm, monētām, atslēgām, naglām, skrūvēm vai citiem nelieliem metāla priekšmetiem, kas varētu izraisīt išslēgumu.** Išslēgums starp akumulatora kontaktiem var izsaukt tā aizdegšanos un būt par cēloni ugunsgrēkam.
- d) **Nepareizi lietojot akumulatoru, no tā var izplūst šķidrās elektroliīts. Nepieļaujiet, ka elektroliīts nonāktu saskarē ar ādu. Ja tas tomēr nejauši ir noticis, noskalojiet elektroliītu ar ūdeni. Ja elektroliīts nonāk acīs, nekavējoties griezieties pie ārsta.** No akumulatora izplūdušais elektroliīts var izsaukt ādas iekaisumu vai pat apdegumu.
- e) **Nelietojiet akumulatoru vai elektroinstrumentu, ja tas ir bojāts vai modificēts.** Bojāti vai modificēti akumulatori var radīt neparedzētas situācijas, kuru rezultātā var notikt aizdegšanās vai sprādziens, kā arī var rasties savainojuma risks.
- f) **Neturiet elektroinstrumentu vai akumulatoru uguns tuvumā vai vietā ar augstu temperatūru.** Elektroinstrumenta vai akumulatora atrašanās uguns tuvumā vai vietā, kur temperatūra pārsniedz 130°C, var izraisīt sprādzienu.
- g) **Levērojiet visas uzlādes instrukcijas un neuzlādējiet akumulatoru vai elektroinstrumentu pie temperatūras, kas atrodas ārpus instrukcijā norādīto pieļaujamo temperatūras vērtību diapazona robežām.** Uzlādējot akumulatoru neatbilstošā veidā vai pie temperatūras, kas atrodas ārpus pieļaujamo temperatūras vērtību diapazona robežām, tas var tikt bojāts, kā arī var pieaugt aizdegšanās risks.

6) APKALPOŠANA

- a) **Nodrošiniēt, lai Instrumenta remontu veiktu kvalificēts personāls, nomaīnai izmantojot oriģinālās rezerves daļas un piederumus.** Tikai tā iespējams panākt instrumenta ilgstošu un nevainojamu darbību bez atteikumiem.
- b) **Nekādā gadījumā neveiciet bojātu akumulatoru apkalpošanu.** Akumulatoru apkalpošanu drīkst veikt tikai ražotājfirma vai pilnvarots servisa speciālists.

DARBA DROŠĪBAS NOTEIKUMI AKUMULATORA URBJMAŠINĀM/SKRŪVGRIEZIEM

1) DARBA DROŠĪBAS NOTEIKUMI VISU DARBĪBU VEIKŠANAI

- a) **Veicot triecienuurbšanu, izmantojiet ausu aizsargus.** Trokšņa iedarbība var izraisīt dzirdes zudumu.
- b) **Veicot darbu, kura laikā darbinstruments vai stiprinājums var skart slēptus elektriskos vadus, turiet elektroinstrumentu tikai aiz izolētajām virsmām.** Darbinstrumentam un stiprinājumiem skarot spriegumnesošus vadus, spriegums nonāk arī uz

instrumenta metāla daļām un var izraisīt elektronisku triecienu.

2) DARBA DROŠĪBAS NOTEIKUMI, IZMANTOJOT GARUS URBŠANAS UZGAĻUS

- a) **Nekad neurbiet, pārsniedzot maksimālo ātrumu, kas norādīts uz urbšanas uzgaļa.** Rotējot lielākā ātrumā un nesaskaroties ar urbiamo detaļu, uzgaļis var saliekties, kas var izraisīt savainojumu.
- b) **Vienmēr sāciet urbšanu nelielā ātrumā, uzgaļa galam saskaroties ar urbiamo detaļu.** Rotējot lielākā ātrumā un nesaskaroties ar urbiamo detaļu, uzgaļis var saliekties, kas var izraisīt savainojumu.
- c) **Piespiediet tieši tādā virzienā, kādā vērstis uzgaļis, un nespiediet pārāk stipri.** Uzgaļi var saliekties, tā tie var salūzt vai varat zaudēt kontroli pār instrumentu un gūt savainojumu.

VISPĀRĒJA INFORMĀCIJA

- Materiāla, piemēram svīnu saturošas krāsas, dažu koka šķirņu, minerālu un metāla, putekļi var būt kaitīgi (saskare ar putekļiem vai to ieelpošana var izraisīt alerģiskas reakcijas un/vai elpošanas ceļu saslimšanas operatoram vai klātesošajiem); **izmantojiet putekļu masku un putekļsūcēju, ja to iespējams pievienot**
- Dažu veidu putekļi ir klasificēti kā kancerogēni (piemēram, ozola vai dižskābarža putekļi), jo paši apvienojumā ar koksnes kondicionēšanas piedevām; **izmantojiet putekļu masku un putekļsūcēju, ja to iespējams pievienot**
- Ievērojiet ar putekļu savākšanu saistītos nacionālos noteikumus, kas attiecas uz apstrādājamajiem materiāliem
- **Neapstrādājiet materiālus, kas satur azbestu** (azbestam piemīt kancerogēnas īpašības)
- Pirms regulēšanas vai piederumu nomaīņas, kā arī, pārnesot vai uzglabājot instrumentu, pārliecinieties, ka tā pārslēdzējs K ② atrodas vidējā (neitrālā) stāvoklī

PIEDERUMI

- Firma SKIL garantē instrumenta nevainojamu darbību tikai tad, ja tiek lietoti oriģinālie papildpiederumi
- Lietojiet tikai tādus darbinstrumentus, kuru pieļaujama darbības ātrums ir vismaz tikpat liels, kā instrumenta maksimālais brīvgaitas ātrums

PIRMS DARBA UZSĀKŠANAS

- Izvaieties no instrumenta bojājumiem, ko var radīt apstrādājamajā priekšmetā esošas skrūves, naglas vai citi līdzīgi objekti; pirms darba uzsākšanas atbrīvojiet apstrādājamo materiālu no šādiem priekšmetiem
- Vienmēr pārliecinieties, ka spriegums, kas uzrādīts uz uzlādes ierīces marķējuma plāksnītes, atbilst padeves spriegumam elektrotīklā
- **Nostipriniet apstrādājamo detaļu** (to ir drošāk nostiprināt ar spailēm vai skrūvspļēm, nevis turēt rokā)
- **Ar piemērota metālmeklētāja palīdzību pārbaudiet, vai apstrādes vietu nešķērso slēptas elektropārvades līnijas, kā arī gāzes vai ūdens caurules; šaubu gadījumā griezieties vietējā komunālās saimniecības iestādē** (darbinstrumentam skarot elektrotīkla fāzes līniju, var izcelties ugunsgrēks un strādājošais var saņemt elektrisko triecienu; gāzes vada bojājums var izraisīt sprādzienu; darbinstrumentam skarot ūdensvada cauruli, var tikt bojātas materiālās vērtības un strādājošais var saņemt elektrisko triecienu)

DARBA LAIKĀ

- Mehāniska vai elektriska rakstura kļūmes gadījumā nekavējoties izslēdziet instrumentu vai atvienojiet uzlādes ierīci no barojošā elektrotīkla

AKUMULATORI

- **Komplektā iekļautais akumulators ir daļēji uzlādēts** (lai nodrošinātu pilnu akumulatora jaudu, pirms elektroinstrumenta pirmās izmantošanas reizes uzlādējiet to pilnībā, izmantojot uzlādes ierīci)
- **Izmantojiet tikai instrumenta piegādes komplektā ietilpstošos akumulatorus un uzlādes ierīces**
 - SKIL akumulators: BR1*31****
 - SKIL uzlādes ierīce: CR1*31****
- Nelietojiet bojātu akumulatoru; tas nekavējoties jānomaina
- Neizjauciet akumulatoru
- Neatstājiet instrumentu/akumulatoru lietū
- Pieļaujama apkārtējā gaisa temperatūra (instruments/lādētājs/akumulators):
 - uzlādes laikā 4...40°C
 - darba laikā -20...+50°C
 - uzglabāšanas laikā -20...+50°C

UZ INSTRUMENTA/AKUMULATORA ATTĒLOTO SIMBOLU SKAIDROJUMS

- ③ Pirms izstrādājuma lietošanas izlasiet tā lietošanas pamācību
- ④ Nekādā gadījumā neievietojiet akumulatoru ugunī, jo tas var izraisīt sprādzienu
- ⑤ Uzglabājiet instrumentu, uzlādes ierīci un akumulatoru vietā, kur temperatūra nepārsniedz 50°C
- ⑥ Neizmetiet elektroiekārtas un baterijas ar sadzīves materiālus atkritumu

DARBS

- Kombinētais ieslēdzējs un darbvārpstas griešanās ātruma regulēšana A ②
 - izmainot spiedienu uz ieslēdzēju, plūstoši regulējiet darbvārpstas griešanās ātrumu no nulles vērtības līdz maksimālajai
- Akumulatora uzlādēšana
 - ! **izlasiet uzlādes ierīces komplektā iekļautos drošas lietošanas noteikumus un norādījumus**
- Akumulatora izņemšana/ievietošana ②
- Jostas klipša piestiprināšana ⑦
 - piestipriniet jostas klipsi L urbum, izmantojot komplektā iekļauto skrūvi.
- Akumulatora uzlādes pakāpes indikators ⑧
 - lai uzzinātu akumulatora uzlādes līmeni ⑧a, nospiediet akumulatora līmeņa rādītāja pogu N
 - ! **ja pēc pogas N ⑧b nospiešanas sāk mirgot zemākā akumulatora līmeņa rādītāja iedaļa, akumulators ir tukšs**
 - ! **ja pēc pogas N ⑧c nospiešanas sāk mirgot akumulatora līmeņa rādītāja iedaļas 2, akumulatora temperatūra ir ārpus atļautā darba diapazona**
- Gaismas indikators M ⑬
 - LED gaisma M automātiski ieslēdzas, kad tiek aktivizēts slēdzis A
 - ! **LED gaismai sākot mirgot, tiek aktivizēta akumulatora aizsardzība (skatīt zemāk)**
- Akumulatora aizsardzība
 - lerīce tiek tūlīt izslēgta vai arī to nav iespējams ieslēgt, ja
 - **slodze ir pārāk liela** --> samaziniet slodzi un ieslēdziet to no jauna
 - **akumulatora temperatūra ir ārpus atļautā darba diapazona no -20 līdz +50 °C** --> nospiežot pogu N

- ⑧c, sāk mirgot akumulatora 2 līmeņa rādītāja iedaļas; pagaidiet, līdz akumulatora temperatūra atkal ir atļautajā darba diapazonā
- **akumulators ir gandrīz tukšs (aizsardzībai pret pilnīgu izlādi)** --> nospiežot pogu N, akumulatora līmeņa rādītājā ir attēlota zemākā akumulatora līmeņa rādītāja iedaļa vai mirgojoša zemākā akumulatora līmeņa rādītāja iedaļa ⑧b; uzlādējiet akumulatoru
- ! **pēc instrumenta automātiskas izslēgšanās nedrīkst spiest tā ieslēdzēju, jo tā var sabojāt akumulatoru**
- Griešanās virziena pārslēgšana ⑨
 - ja darbvārpstas griešanās virziena pārslēdzējs nav precīzi iestādīts galējā labējā/kreisajā stāvoklī, ieslēdzēju A ② nav iespējams nospiegt
 - ! **pārslēdziet darbvārpstas griešanās virzienu tikai tad, kad instruments ir pilnībā apstājies**
- Darbinstrumentu nomaīņa ⑩
 - ! **neizmantojiet darbinstrumentus ar bojātu kātu**
- Griezes momenta regulēšanas sistēma (VariTorque) ⑪
 - griezes moments pieaug, griežot regulējošo gredzenu B no stāvokļa 1 līdz stāvoklim 17
 - ieskrūvējot skrūvi, vispirms pagrieziet regulējošo gredzenu stāvoklī 1, tad pakāpeniski palieliniet griezes momentu, līdz tiek sasniegtas vēlamais ieskrūvēšanas dziļums
 - F pozīcijā regulējošais gredzens tiks nobloķēts, ļaujot veikt urbšanas (ne-triecienu) darbības un skrūvēšanas darbus ar lielu griezes momentu
 - D pozīcijā regulējošais gredzens tiks nobloķēts, ļaujot veikt tikai triecienu) darbības
 - ! **pārļiecinieties, vai pārnesumu pārslēdzējs B atrodas pozīcijā 2, kad regulējošais gredzens C atrodas triecienu) darbības pozīcijā**
 - ! **lai novērstu urbjas/skrūvgrieža uzgaļu bojājumus, neizmantojiet triecienu) darbības pozīciju D, lai urbtu kokā, metālā, keramikas izstrādājumus un plastmasā**
- Mehāniskā pārnesumu pārslēgšana ⑫
 - ar pārslēdzēja G palīdzību izvēlieties vajadzīgo ātrumu
 - ! **pārviētojiet pārnesumu pārslēdzēju tikai tad, kad instruments darbojas ar nelielu ātrumu**
- 1
 - mazs ātrums
 - liels griezes moments
 - piemērots skrūvju ieskrūvēšanai un lielāka diametra urbumu veidošanai
 - piemērots vītņu iegriešanai
- 2
 - liels ātrums
 - mazāks griezes moments
 - triecienu) darbības
 - piemērots mazāka diametra urbumu veidošanai
- Instrumenta turēšana un vadīšana ⑭
 - ! **darba laikā vienmēr turiet instrumentu aiz pelēkās krāsas noturvirsmas(ām)**
 - nenosprostojiet instrumenta ventilācijas atveres J ②
 - darba laikā pārlietu nespiediet instrumentu; ļaujiet tam darboties nominālā režīmā

APKALPOŠANA / APKOPE

- Šis darbarīks nav paredzēts profesionālai lietošanai
- Vienmēr uzturiet instrumentu tīru (īpaši ventilācijas

atveres H (2)

! pirms tīrīšanas izņemiet no instrumenta akumulatoru

- Ja, neraugoties uz augsto izgatavošanas kvalitāti un rūpīgo pērcražošanas pārbaudi, instruments tomēr sabojājas, tas jānogādā remontam firmas SKIL pilnvarotā elektroinstrumentu remonta darbnīcā
 - nogādājiet instrumentu **neizjauktā veidā** kopā ar iegādes dokumentiem tuvākajā tirdzniecības vietā vai firmas SKIL pilnvarotā pēciegādes apkalpošanas un remonta iestādē (adreses un instrumenta apkalpošanas shēma ir sniegta interneta vietnē www.skil.com)
- Ievērojiet, ka garantijā neietilpst pārslodzes vai nepareizas instrumenta ekspluatācijas izraisītie bojājumi (SKIL garantijas noteikumus skatiet www.skil.com vai vērsieties pie izplatītāja)

PRAKTISKI PADOMI

- Lietojiet tikai tādus darbinstrumentus, kuru tips atbilst apstrādājamajam materiālam (15)
 - ! lietojiet tikai asus darbinstrumentus**
- Melno metālu urbšana
 - ja nepieciešams izveidot liela diametra urbumu, vispirms ieurbiet mazāka izmēra atvērums
 - laiku pa laikam ieeļļojiet urbi
- Veicot skrūves ieskrūvēšanu tuvu koka priekšmeta vai konstrukcijas malai, vispirms ieteicams ieurbt atvērums, lai novērstu koksnes plaisāšanu
- Lai instruments tiktu izmantots optimālā režīmā, ieturiet pastāvīgu spiedienu uz skrūves galvu, īpaši tad, ja skrūve tiek izskrūvēta
- Veicot skrūves ieskrūvēšanu cietā koksne, vispirms ieurbiet atvērums
- Urbumu veidošana koksne bez apstrādājamā materiāla plaisāšanas (16)
- Urbumu veidošana sienās, vienlaicīgi savācot urbšanas rezultātā radušos grūžus (17)
- Urbumu veidošana griestos, vienlaicīgi savācot urbšanas rezultātā radušos grūžus (18)
- Urbumu veidošana flīzēs, nepieļaujot to plaisāšanu (19)
- Papildu informāciju skatīt tīmekļa vietnē www.skil.com

APKĀRTĒJĀS VIDES AIZSARDZĪBA

- **Neizmetiet elektroiekārtas, baterijas, piederumus un iesaiņojuma materiālus sadzīves atkritumos** (tikai ES valstīm)
 - saskaņā ar Eiropas Savienības direktīvu 2012/19/ES par nolietotajām elektriskajām un elektroniskajām iekārtām un tās atspoguļojumiem nacionālajā likumdošanā, nolietotās elektroiekārtas ir jāsavāc, jāizjauc un jānogādā otrreizējai pārstrādei apkārtējai videi nekaitīgā veidā
 - īpašs simbols (6) atgādina par nepieciešamību izstrādājumus izlietot videi nekaitīgā veidā
- ! pirms akumulatora utilizācijas tā kontakti jāaplīmē ar izolācijas lenti, lai nepieļautu īssavienojuma rašanos starp tiem**

TROKSNIS / VIBRĀCIJA

- Veicot mērījumus atbilstoši EN 62841, šī instrumenta akustiskā spiediena līmenis ir 83,0 dB(A), akustiskās jaudas līmenis ir 94,0 dB(A) (nenoteiktība K = 5 dB),

bet vibrācija * (triaksiālā vektora summa; nenoteiktība K = 1.5 m/s²)

* veicot urbšanu metālā <2,5 m/s²

* veicot triecienuurbšanu betonā 7,9 m/s²

- Vibrācijas līmenis ir noteikts, izmantojot standartā EN 62841 paredzēto procedūru; to var izmantot, lai salīdzinātu instrumentus un provizoriski izvērtētu vibrācijas iedarbību, lietojot instrumentu minētajiem mērķiem
 - instrumenta izmantošana citiem mērķiem vai ar citiem vai nepietiekami koptiem piederumiem var ievērojami palielināt kopējo vibrācijas iedarbības pakāpi
 - laika periodi, kad instruments ir izslēgts vai arī ir ieslēgts, taču darbs ar to nenotiek, var ievērojami samazināt kopējo vibrācijas iedarbības pakāpi
- ! pasargājiet sevi no vibrācijas iedarbības, veicot instrumenta un tā piederumu tehnisko apkopi, novēršot roku atdzišanu un pareizi organizējot darbu**

LT

Akumulatorinis smūginis 3018/3020 grēztuvas/suktuvas

ĪVADAS

- Šis įrankis skirtas smūginiam plytų gręžimui, o taip pat medienai, metalui, keramikai bei plastmasei gręžti be smūgio: modeliai su elektroninio sūkių valdymo bei reverso funkcijomis tinka ir varžtams sukti bei sriegimui
- Šis įrankis nes skirtas profesionaliam naudojimui
- Perskaitykite ir išsaugokite šią naudojimo instrukciją (3)

TECHNINIAI DUOMENYS (1)

Maks. sukimo momentas kietosios jungties atveju pagal ISO 5393 : 55Nm

PRIETAISO ELEMENTAI (2)

- A** Jungiklis įjungimui/išjungimui ir greičiui valdyti
- B** Sukimo momento nustatymo žiedas
- C** Funkcijos keitimo jungiklis
- D** Smūginio gręžimo padėtis
- E** Gręžimo padėtis
- F** Varžto įsukimo padėtis
- G** Greičių perjungiklis
- H** Indikatorius, nurodantis pasirinktą sukimosi kryptį
- J** Ventiliacinės angos
- K** Sukimosi krypties perjungiklis
- L** Diržo spaustukas
- M** Šviesos diodas
- N** Akumulatoriaus įkrovos indikatorius

SAUGA

BENDRIEJI ELEKTRINIŲ ĮRANKIŲ SAUGOS ĮSPĖJIMAI

⚠ ĮSPĖJIMAS Perskaitykite visus su šiuo elektriniu prietaisu pateiktus saugos perspėjimus, instrukcijas, paveikslėlius ir specifikacijas. Nepaisant toliau pateiktų instrukcijų galite patirti elektros smūgį, įvykti gaisras ir / ar patirti rimtų sužalojimų.

Išsaugokite visus įspėjimus ir instrukcijas ateičiai.

Terminas „elektros įrankis“ įspėjimuose reiškia jūsų iš elektros tinklo (laidais) maitinamus įrankius arba elektros įrankius, veikiančius nuo baterijų (belaidžius).

1) DARBO VIETOS SAUGUMAS

- a) **Darbo vieta turi būti švari ir tvarkinga.** Tinkama ar blogai apšviesta darbo vieta gali tapti nelaimingų atsitikimų priežastimi.
- b) **Nedirbkite tokioje aplinkoje, kur yra degių skysčių, dujų ar dulkių.** Elektriniai įrankiai gali kibirkščiuoti, o nuo kibirkščių dulkės arba susikaupę garai gali užsidegti.
- c) **Dirbdami su elektriniu įrankiu neleiskite šalia būti žiūrovams, vaikams ir lankytojams.** Nukreipę dėmesį į kitus asmenis galite nebesuvaldyti prietaiso.

2) ELEKTROSAUGA

- a) **Maitinimo laido kištukas turi atitikti tinklo rozetės tipą.** Kištuko jokiū būdu negalima modifikuoti. **Nenaudokite jokių kištuko adapterių su žemintais prietaisais.** Originalūs kištukai, tiksliai tinkantys elektros tinklo rozetei, sumažina elektros smūgio pavojų.
- b) **Venkite kūno kontakto su žemintais paviršiais, tokiais kaip vamzdžiai, šildytuvai, viryklės ar šaldytuvai.** Egzistuoja padidinta elektros smūgio rizika, jei Jūsų kūnas bus žemintas.
- c) **Saugokite prietaisą nuo lietaus ir drėgmės.** Jei vanduo patenka į elektrinį prietaisą, padidėja elektros smūgio rizika.
- d) **Nenaudokite maitinimo laido ne pagal paskirtį, t. y. neneškite prietaiso paėmę už laido, nekabinkite prietaiso už laido, netraukite už jo, norėdami išjungti kištuką iš rozetės. Laidą klokite taip, kad jo neveiktų karštis, jis neišsitemptų alyva ir jo nepažeistų aštrios detalės ar judančios prietaiso dalys.** Pažeisti arba susipynę laidai gali tapti elektros smūgio priežastimi.
- e) **Jei su elektriniu įrankiu dirbate lauke, naudokite tik tokius ilginimo kabelius, kurie tinka lauko darbams.** Naudojant lauko darbams pritaikytus ilginimo kabelius, sumažinamas elektros smūgio pavojus.
- f) **Jei su elektriniu įrankiu neišvengiamai reikia dirbti drėgnoje aplinkoje, naudokite žeminimo grandinės pertraukiklį.** Naudojant žeminimo grandinės pertraukiklį, sumažėja elektros smūgio pavojus.

3) ŽMONIŲ SAUGA

- a) **Būkite atidūs, sutelkite dėmesį į tai, ką Jūs darote ir, dirbdami su elektriniu įrankiu, vadovaukitės sveiku protu. Nedirbkite su prietaisu, jei esate pavargę arba vartojote narkotikus, alkoholio ar medikamentus.** Akimirksnio neatidumas naudojant prietaisą gali tapti rimtų sužalojimų priežastimi.
- b) **Naudokite asmenines apsaugos priemones ir visuomet užsidėkite apsauginius akinius.** Naudojant asmenines apsaugos priemones, pvz., respiratorį ar apsauginę kaukę, neslystančius batus, apsauginį šalną, klausos apsaugos priemones ir kt., rekomenduojamas dirbanti su tam tikros rūšies įrankiais, sumažėja rizika susižeisti.
- c) **Saugokitės, kad neįjungtumėte prietaiso atsitiktinai. Prieš prijungdami elektrinį įrankį prie elektros tinklo ir/arba akumuliatoriaus, prieš pakeldami ar nešdami įsitikinkite, kad jis yra išjungtas.** Jeigu nešdami elektrinį įrankį pirštą laikysite ant jungiklio arba prietaisą

įjungsite į elektros tinklą, kai jungiklis yra įjungtas, gali įvykti nelaimingas atsitikimas.

- d) **Prieš įjungdami prietaisą pašalinkite reguliavimo įrankius arba veržlių raktus.** Prietaiso besisukančioje dalyje esantis įrankis ar raktas gali tapti sužalojimų priežastimi.
 - e) **Nepervertinkite savo galimybių. Dirbdami atsistokite patikimai ir visada išlaikykite pusiausvyrą.** Patikima stovėseną ir tinkamą kūno laikyseną leis geriau kontroliuoti prietaisą netikėtose situacijose.
 - f) **Dėvėkite tinkamą aprangą. Nedėvėkite plačių drabužių ir papuošalų. Saugokite plaukus ir drabužius nuo besisukančio elektrinio įrankio dalių.** Laisvus drabužius, papuošalus bei ilgus plaukus gali įtraukti besisukančios dalys.
 - g) **Jei yra numatyta galimybė prijungti dulkių nusiurbimo ar surinkimo įrenginius, visada įsitikinkite, ar jie yra prijungti ir ar teisingai naudojami.** Naudojant dulkių nusiurbimo įrenginius sumažėja kenksmingas dulkių poveikis.
 - h) **Dažnai naudokami įrankį ir gerai su juo susipažinę pernelgy neatsipalaiduokite ir nepradėkite nepaisyti įrankio saugos principų.** Neatidus veiksmas gali sukelti sunkią traumą per sekundės dalį.
- ### **4) RŪPESTINGA ELEKTRINIŲ ĮRANKIŲ PRIEŽIŪRA IR NAUDOJIMAS**
- a) **Neperkraukite prietaiso. Naudokite Jūsų darbui tinkamą elektrinį įrankį.** Su tinkamu elektriniu įrankiu Jūs dirbsite geriau ir saugiau, jei neviršysite nurodyto galingumo.
 - b) **Nenaudokite elektrinio įrankio su sugedusiu jungikliu.** Elektrinis įrankis, kurio nebegalima įjungti ar išjungti, yra pavojingas ir jį reikia remontuoti.
 - c) **Prieš reguliuodami prietaisą, keisdami darbo įrankius ar prieš valydami prietaisą, iš elektros tinklo lizdo ištraukite kištuką ir/arba išimkite akumuliatorių, jeigu jis išimamas.** Ši saugumo priemonė apsaugos jus nuo netikėto prietaiso išjungimo.
 - d) **Nenaudojamą prietaisą sandėliuokite vaikams ir nemokantiems juo naudotis asmenims neprieinamoje vietoje.** Elektriniai įrankiai yra pavojingi, kai juos naudoja nepatyrę asmenys.
 - e) **Pržiūrėkite elektrinį įrankį ir priedus.** Tikrinkite, ar besisukančios prietaiso dalys tinkamai veikia ir niekur nekliūva, ar nėra sulūžusių ar šiaip pažeistų dalių, kurios įtakotų prietaiso veikimą. Prieš vėl naudojant prietaisą pažeistos prietaiso dalys turi būti suremontuotos. Daugelio nelaimingų atsitikimų priežastis yra blogai prižiūrimi elektriniai įrankiai.
 - f) **Pjovimo įrankiai turi būti aštrūs ir švarūs.** Rūpestingai prižiūrėti pjovimo įrankiai su aštriomis pjaunamosiomis briaunomis mažiau stringa ir juos yra lengviau valdyti.
 - g) **Elektrinį įrankį, papildoma įrangą, darbo įrankius ir t. t. naudokite taip, kaip nurodyta šioje instrukcijoje. Taip pat atsizvelkite į darbo sąlygas bei atliekamo darbo pobūdį.** Naudojant elektrinius įrankius ne pagal jų paskirtį galima sukelti pavojingas situacijas.
 - h) **Rankenos ir suėmimo paviršiai turi būti sausi, švarūs, ant jų neturi būti alyvos ir tepalų.** Dėl slidžių rankenų ir suėmimo paviršių negalėsite saugiai išlaikyti ir suvaldyti įrankio netikėtose situacijose.

5) RŪPESTINGA AKUMULATORINIŲ ĮRANKIŲ PRIEŽIŪRA IR NAUDOJIMAS

- a) **Akumulatoriaus krovimui naudoti tik tuos įkroviklius, kuriuos rekomenduoja gamintojas.** Naudojant kitokio tipo akumulatoriams skirtą įkroviklį, kyla gaisro pavojus.
 - b) **Su prietaisu galima naudoti tik jam skirtą akumuliatorių.** Naudojant kitokius akumuliatorius atsiranda pavojus susižeisti bei sukelti gaisrą.
 - c) **Nelaikykite sąvaržėlių, monetų, raktų, vinių, varžtų ar kitokių metalinių daiktų arti ištraukto iš instrumento akumulatoriaus kontaktų.** Užtrumpinus akumulatoriaus kontaktus galima nusideginti ar sukelti gaisrą.
 - d) **Netinkamai naudojant akumuliatorių, iš jo gali iškėti skystis. Venkite kontakto su šiuo skysčiu. Jei skystis pateko ant odos, nuplaukite jį vandeniu, jei pateko į akis - nedelsiant kreipkitės į gydytoją.** Akumulatoriaus skystis gali sukelti odos sudirginimą ar nudegimus.
 - e) **Nenaudokite pažeisto arba perdaryto akumulatoriaus arba įrankio.** Sugadinti arba perdaryti akumuliatoriai gali veikti nuspėjamai – sukelti gaisrą, sprogią arba traumų pavojų.
 - f) **Saugokite akumuliatorių arba įrankį nuo ugnies ir aukštos temperatūros.** Patekęs į ugnį arba aukštesnę nei 130°C temperatūrą, jis gali sprogti.
 - g) **Vykdykite visas įkrovimo instrukcijas ir nekraukite akumulatoriaus arba įrankio temperatūroje, neatitinkančioje instrukcijose nurodyto temperatūros diapazono ribų.** Netinkamai kraunant arba įeigu temperatūra neatitinka nurodyto diapazono ribų, gali sugesti akumuliatorius ir kilti gaisras.
- ## 6) APTARNAVIMAS
- a) **Prietaisą turi remontuoti tik kvalifikuotas specialistas ir naudoti tik originalias atsargines dalis.** Taip galima garantuoti, jog prietaisas išliks saugus.
 - b) **Niekada neatlikite pažeisto akumulatoriaus techninės priežiūros.** Akumuliatorių techninę priežiūrą turi atlikti tik gamintojas arba įgaliotasis techninės priežiūros atstovas.

DARBŲ SAUGOS NUORODOS DIRBANTIEMS SU AKUMULATORINIAIS GRĘŽTUVAIS/SUKTUVAIS

1) SAUGOS INSTRUKCIJOS VISIEMS DARBAMS

- a) **Gręždami su aprova naudokite ausų apsaugą.** Dėl triukšmo galima prarasti klausą.
- b) **Atliekant veiksmus, kai pjovimo įranga ar tvirtinimo detalė gali prisiliesti prie paslėptų laidų, laikykite elektrinį įrankį už izoliuotų laikymo paviršių.** Pjovimo prieduose ir tvirtinimo detalėse yra laidų, kuriais teka srovė, galinti sukelti elektros smūgį.

2) SAUGOS INSTRUKCIJOS, NAUDOJANT ILGUS GRAŽTUS

- a) **Niekada nenaudokite didesnio nei didžiausias grąžto gręžimo greitis.** Esant didesniam greičiui, grąžtas gali sulinkti, jei jam bus leidžiama laisvai sukstis, nesiliečiant prie ruošinio, dėl to galima susižaloti.
- b) **Visada pradėkite gręžti mažu greičiu ir stenkitės, kad grąžtas liestų ruošinį.** Esant didesniam greičiui, grąžtas gali sulinkti, jei jam bus leidžiama laisvai sukstis, nesiliečiant prie ruošinio, dėl to galima susižaloti.

- c) **Spauskite grąžtą tik tiesia linija ir nespauskite per stipriai.** Grąžtas gali sulūžti, tuomet prarasite kontrolę ir galite susižaloti.

BENDROJI DALIS

- Kai kurių medžiagų, kaip antai dažų, kurių sudėtyje yra švino, kai kurių medžių rūšių medienos, mineralų ir metalo dulksės gali būti kenksmingos (kontaktas su šiomis dulkelėmis arba įkvėptos dulksės gali sukelti operatoriumi arba šalia esantiems žmonėms alergines reakcijas ir/arba kvėpavimo sistemos susirgimus); **mūvėkite priešdulkinę puskaukę arba dirbdami naudokite dulkių ištraukimo įrenginį, jei jį galima prijungti**
- Kai kurių rūšių dulksė priskiriamas kancerogeninėms (pvz., ažuolo arba buko medienos dulksės), ypač susimaišiusios su medienos taurinimui naudojamais priedais; **mūvėkite priešdulkinę puskaukę arba dirbdami naudokite dulkių ištraukimo įrenginį, jei jį galima prijungti**
- Vadovaukitės Jūsų šalyje taikomų direktyvų reikalavimais, skirtais medžiagoms, su kuriomis norite dirbti
- **Draudžiama apdirbti medžiagas, kurių sudėtyje yra asbesto** (asbestos pasižymi vėžį sukeliančiu poveikiu)
- Prieš atliekant bet kokius prietaiso aptarnavimo darbus ar keičiant priedus, jį transportuojant ir sandėliuojant, būtina nustatyti sukimosi krypties įrenginį K ② į vidurinę padėtį (įjungimo blokavimas)

PIRIEDAI

- **SKIL** gali garantuoti nepriekaištingą prietaiso veikimą tik tuo atveju, jei naudojama originali papildoma įranga ir priedai
- Leidžiama naudoti tik tokius įrankius, kurių maksimalus leistinas apsisukimų skaičius yra ne mažesnis, nei maksimalus Jūsų prietaiso sūkių skaičius

PIRIEŠ EKSPLOATACIJĄ

- Saugokite, kad nepažeistumėte prietaiso į ruošinyje esančius varžtus, vinius ir pan; prieš pradėdami darbą juos pašalinkite
- Visada patikrinkite, ar elektros tinklo įtampa sutampa su įtampos dydžiu, nurodytu įkroviklio vardinėje lentelėje
- **Saugiai laikykite tvirtinamą dirbinį** (dirbinį, kuris segamas ar kalamas kabių kalimo įrankiais, saugiau laikyti spaustuvu nei ranka)
- **Naudodami tam skirtus paieškos prietaisus, patikrinkite, ar gręžimo vietoje nėra paslėptų komunalinių tinklų vamzdinių, arba pasikvieskite į pagalbą vietinius komunalinių paslaugų tiekėjus** (kontaktas su elektros laidais gali sukelti gaisro bei elektros smūgio pavojų; pažeidus dujotiekio vamzdį, gali įvykti sprogiškas; pažeidus vandentiekio vamzdį, galima pridaryti daugybę nuostolių bei sukelti elektros smūgio pavojų)

EKSPLOATACIJA

- Jeigu pajutote, kad prietaisas veikia ne taip, kaip visada, arba girdisi nebūdingi garsai, tuojau pat jį išjunkite ir ištraukite kištuką iš elektros tinklo lizdo

AKUMULIATORIAI

- **Pridedama baterija yra iš dalies įkrauta** (norint užtikrinti baterijos galingumą, visiškai įkraukite bateriją įkroviklyje prieš pirmą kartą naudodami elektrinį įrankį)
- **Naudokite tik tokias kartu su šiuo prietaisu tiekiamas baterijas**
 - „SKIL“ baterija: BR1*31****
 - „SKIL“ įkroviklis: CR1*31****
- Nenaudokite pažeistų akumuliatorių baterijų, jas būtina pakeisti
- Negalima išmontuoti baterijos

- Jokiū būdu nepalikite prietaiso / baterijų, kai lyja
- Leidžiamoji aplinkos temperatūra (prietaiso/kroviklio/akumuliatorių):
 - įkraunant 4...40°C
 - įrankiui veikiant –20...+50°C
 - sandėliuojant –20...+50°C

ANT PRIETAISO/BATERIJOS ESANČIŲ SIMBOLIŲ REIKŠMĖS

- ③ Prieš naudodami įrankį perskaitykite instrukcijų vadovą
- ④ Įmesti į ugnį akumuliatoriai sprogs, jų nedeginkite jokiais sumetimais
- ⑤ Patalpos, kurioje laikomas prietaisas, akumuliatorių kroviklis ar akumuliatorius, temperatūra neturi viršyti 50°C
- ⑥ Nemeskite elektrinių įrankių ir baterijos į buitinių atliekų konteinerius

NAUDOJIMAS

- Jungiklis yra skirtas įjungti ir išjungti prietaisą bei reguliuoti greitį A ②
 - stipriau ar silpniau spaudžiant jungiklį, apsisukimų skaičių galima sklandžiai reguliuoti nuo 0 iki maksimalaus
- Akumuliatoriaus įkrovimas
 - ! **Skaitykite saugos įspėjimus ir instrukcijas, pateiktas kartu su įkrovikliu**
- Baterijų išėmimas ir įdėjimas ②
- Diržo spausuko tvirtinimas ⑦
 - pritvirtinkite diržo spausuką L prie grąžto su pridedamu varžtu.
- Akumuliatoriaus įkrovos indikatorius ⑧
 - paspaudus akumuliatoriaus įkrovos lygio indikatoriaus mygtuką N rodomas esamas akumuliatoriaus įkrovos lygis, ⑧a pav.
 - ! **jei paspaudus mygtuką N ima mirksėti žemiausio akumuliatoriaus įkrovos lygio indikatorius, kaip parodyta ⑧b pav., akumuliatorius yra išsikrovęs**
 - ! **jei paspaudus mygtuką N ima mirksėti 2 akumuliatoriaus įkrovos lygio indikatoriaus segmentai, kaip parodyta ⑧c pav., akumuliatoriaus temperatūra yra už leidžiamosios darbinės temperatūros intervalo ribų**
- Šviesos diodas M ⑬
 - LED lemputė M automatiškai užsidega, kai įjungiamas jungiklis A
 - ! **jei šviesos diodas ima mirksėti, suveikė akumuliatoriaus apsauga (žr. toliau)**
- Akumuliatoriaus apsauga
 - Prietaisas staiga išsijungia arba jo nepavyksta įjungti, jei
 - **apkrava yra per didelė** --> pašalinkite apkrovą ir vėl paleiskite prietaisą
 - **akumuliatoriaus temperatūra nepatenka į leidžiamosios darbinės temperatūros intervalą (nuo –20 iki 50 °C)** --> paspaudus mygtuką N ima mirksėti 2 akumuliatoriaus įkrovos lygio indikatoriaus segmentai, kaip parodyta ⑧c pav.; palaukite, kol akumuliatoriaus temperatūra grįš į leidžiamosios darbinės temperatūros intervalą
 - **akumuliatorius beveik išsikrovęs (apsauga nuo visiško išsikrovimo)** --> paspaudus mygtuką N įsižiebja arba mirksi žemo akumuliatoriaus įkrovos lygio indikatorius, kaip parodyta ⑧b pav.; pakeiskite akumuliatorių

! jei instrumentas išsijungė automatiškai, nelaikykite nuspaudę jo jungiklio, nes taip galima sugadinti akumuliatorių

- Sukimosi krypties perjungiklis ⑨
 - kol šis perjungiklis neužsifiksavo kairėje arba dešinėje padėtyje, negalėsite nuspausti jungiklio A ②
 - ! **sukimosi kryptį perjungti tik prietaisui visiškai sustojus**
- Antgalių pakeitimas ⑩
 - ! **ne naudokite antgalių su pažeistu kotu**
- Sukimo momento reguliatorius (VariTorque) ⑪
 - sukimo momentas didėja, perstatant sankabos nustatymo žiedą B nuo 1-mos iki 17-tos padėties
 - sukdami varžtus pradėkite nuo VariTorque žiedo padėties 1 ir tik po to palaipsniui didinkite sukimo momentą, kol pasieksite pageidaujamą įsukimo gylį
 - padėtis F skirta užrakinti sankabą (nesmūginiam) gręžimui ar varžtų sukimo darbams atlikti
 - padėtis D skirta užrakinti sankabą tik smūginiam gręžimui atlikti
 - ! **įsitikinkite, kad kai sankabos nustatymo žiedo C padėtis yra smūginio gręžimo, greičių perjungiklio B padėtis yra 2**
 - ! **smūginio gręžimo padėties D nenaudokite medžiui, metalui, keramikai ir plastikui gręžti, kad nesugadintumėte grąžtų / varžtų**
- Mechaninis greičių perjungimas ⑫
 - perjungiklį G nustatykite norimam greičiui
 - ! **greičių perjungiklį leidžiama naudoti tik esant mažiems variklio sūkiams**

1

- mažas greitis
- didelis sukimo momentas
- skirtas varžtams sukti ir didelio skersmens skylėms gręžti
- sriegimui

2

- didelis greitis
- žemas sukimo momentas
- smūginiam gręžimui
- skirtas mažo skersmens skylėms gręžti

- Prietaiso laikymas ir valdymas ⑭

! dirbdami laikykite prietaisą už pilkos spalvos suėmimo vietos(-ų)

- ventiliacines angas J ② laikykite neuždengtas
- nespauskite įrankį pernelyg stipriai; tegul įrankį dirba už Jus

PRIEŽIŪRA / SERVISAS

- Šis įrankis neskirtas profesionaliam naudojimui
- Periodiškai valykite prietaisą (ypač ventiliacines angas M ②)
 - ! **prieš valant, išimkite bateriją iš įrankio**
- Jeigu prietaisas, nepaisant gamykloje atliekamo kruopštaus gamybos ir kontrolės proceso, vis dėlto sugestų, jo remontas turi būti atliekamas įgaliotose SKIL elektrinių įrankių remonto dirbtuvėse
 - **neišardytą** prietaisą kartu su pirkimo čekiu siųskite tiekėjui arba į artimiausią SKIL firmos įgaliotą elektros prietaisų techninio aptarnavimo tarnybą (adresus bei atsarginių dalių brėžinius rasite www.skil.com)

- Turèkìte omeny, kad garantija netaikoma, jei gedimas atsiranda dël perkrovos ar netinkamo naudojimo (dël SKIL garantijos sąlygų žr. www.skil.com arba kreipkitës į jus aptarnaujantį prekybos atstovą)

NAUDOJIMO PATARIMAI

- Naudokite tinkamus darbo antgalius ⑮
- ! **naudokite tik aštrius antgalius**
- Grëžiant metalą
 - jei reikia grëžti didelio skersmens skylę, prieš tai išgrëžkite mažą skylutę
 - retkarçiais patepkite grëžtą alyva
- Prieš sukant varžtą medinio ruošinio pakraštyje, visu pirma reikia išgrëžti skylutę, kad medis nesuskiltų
- Norëdami pasiekti optimalius rezultatus, sukdami varžtą (ypaç jį išsukdami) pastoviai laikykite prietaisą prispaustą
- Sukant varžtą į kietmedį, prieš tai reikëtų išgrëžti skylutę
- Medžio grëžimas be atplaišų ⑮
- Mûro sienos grëžimas be dulkių ⑰
- Lubų grëžimas be dulkių ⑱
- Plytelių grëžimas be įskilimų ⑲
- Daugiau informacijos rasite internete www.skil.com

APLINKOSAUGA

- **Nemeskite elektrinių įrankių, baterijos, papildomos įrangos ir pakuotës į buitinių atliekų konteinerius** (galioja tik ES valstybëms)
 - pagal ES Direktyvą 2012/19/EG dël naudotų elektrinių ir elektroninių prietaisų atliekų utilizavimo ir pagal vietinius valstybës įstatymus atitarnavę elektriniai įrankiai turi būti surenkami atskirai ir gabenami į antrinių žaliavų tvarkymo vietas, kur jie turi būti sunaikinami ar perdirdami aplinkai nekenksmingu būdu
 - apie tai primins simbolis ⑥, kai reikës išmesti atitarnavusį prietaisą
- ! **prieš išmesdami bateriją apvyniokite jos galus, kad netyčia nekiltų paviršinio nuotëkio srovë**

TRIUKŠMINGUMAS / VIBRACIJA

- Išmatuotas pagal EN 62841, šio instrumento garso slëgio lygis yra 83,0 dB(A), garso galios lygis 94,0 dB(A) (neapibrëžtis K = 5 dB), vibracija * (triciašo vektoriaus suma; neapibrëžtis K = 1,5 m/s²)
 - * grëždami metalo <2,5 m/s²
 - * grëžiant betoną smūginiu režimu 7,9 m/s²
- Vibracijos sklaidos lygis išmatuotas pagal standartë EN 62841 išdëstytus standartizuoto bandymo reikalavimus; ši vertë gali būti naudojama vienam įrankiui palyginti su kitu bei išankstiniam vibracijos poveikiui įvertinti, kai įrankis naudojamas paminëtais būdais
 - naudojant įrankį kitokiais būdais arba su kitokiais bei netinkamai prižiûrimais priedais, gali žymiai **padidëti** poveikio lygis
 - laikotarpiams, kai įrankis išjungtas arba yra įjungtas, taçiau juo nedirbama, gali žymiai **sumažëti** poveikio lygis
- ! **apsisaugokite nuo vibracijos poveikio prižiûrëdami įrankį ir jo priedus, laikydami rankas šiltai ir derindami darbo ciklus su pertraukëlėmis**

MK

Акумуляторска вибрациска дупчална/ одвртувач

3018/3020

УПАТСТВО

- Овој алат е наменет за вибрациско дупчење во цигла како и за дупчење во дрво, метал, керамика и пластина; алатите со електронска контрола на брзината и лева/десна ротација се исто така соодветни за навртување на штрафови
- Овој алат не е наменет за професионална употреба
- Внимателно прочитайте го и зачувајте го ова упатство за ракување ③

ТЕХНИЧКИ ПОДАТОЦИ ①

Максимален обрт за примена како шрафцигер според ISO 5393 : 55Nm

ЕЛЕМЕНТИ НА АЛАТОТ ②

- A** Прекинувач за вклучување/исклучување и контрола на брзината
- B** Прстен за контрола на вртежниот момент
- C** Прекинувач за менување функција
- D** Позиција за ударно дупчење
- E** Позиција за дупчење
- F** Позиција за навртување
- G** Прекинувач за избор на брзината
- H** Индикатор за избраната насока на ротацијата
- J** Отвори за вентилација
- K** Прекинувач за менување на насоката на вртење
- L** Шнола за ременот
- M** ЛЕД-светилки
- N** Индикатор за нивото на батеријата

БЕЗБЕДНОСТ

ОПШТИ ПРЕДУПРЕДУВАЊА ЗА БЕЗБЕДНОСТ НА ЕЛЕКТРИЧНИТЕ АЛАТИ

⚠ ПРЕДУПРЕДУВАЊЕ Прочитајте ги сите безбедносни предупредувања, упатства, слики и спецификации што се обезбедуваат со овој алат. Непочитувањето на сите упатства подолу може да доведе до електричен удар, пожар и/или сериозна повреда..

Чувајте ги сите предупредувања и упатства за понатамошно упатување.

Поимот “електричен алат”, кој се користи во понатамошниот текст, се однесува на вашиот електричен алат (со приклучен кабел) и на електрични алати со погон на батерии (без приклучен кабел).

1) БЕЗБЕДНОСТ НА РАБОТНОТО МЕСТО

- a) **Одржувајте го вашето работно место чисто и уредно.** Неуреден или темен работен простор може да предизвикаат незгоди.
- b) **Немојте да работите со уредот во средина во која има опасност од експлозија, во која**

- има запалливи течности, гасови и прашина. Електричните алати произведуваат искри кои можат да запалат прашина или пара.
- c) **За време на употребата на електричниот алат, децата и останатите лица држете ги подалену од местото нае работите.** Одржавање, би можеле да изгубите контрола врз уредот.
- 2) ЕЛЕКТРИЧНА СИГУРНОСТ**
- a) **Утикач мора да одговара на приклучокот. Никано не смее да се прават измени на штекерот. Не користете адаптерски штекер заедно со уредот кој е заштитно заземјен.** Не променети штекери и соодветни приклучоци го намалуваат ризикот од електричен удар.
- b) **Избегнувајте допир на телото со заземјени површини, како што се цевки, радијатори, рерни и фрижидери.** Постои зголемена опасност од струен удар, доколку Вашето тело е заземјено.
- c) **Чувајте го уредот подалену од дожд и влага.** Продирањето на вода во електричниот уред ја зголемува опасноста од струен удар.
- d) **Не злоупотребувајте го приклучниот кабел за носење, бесење на уредот или за извлекување на штекерот од мрежниот приклучок. Чувајте го кабелот подалену од топлина, масло, остри рабови или деловите на апаратот кои се движат.** Оштетени или заплеткани кабли ја зголемуваат опасноста од струен удар.
- e) **Кога го употребувате полначот надвор, користете продолжен кабел кој е соодветен за употреба на отворен простор.** Примената на продолжен кабел соодветен за работа на отворен простор ја намалува опасноста од струен удар.
- f) **Доколку не може да се избегне работа со електричниот алат во влажна средина, користете прекинувач за струјна заштита при технички проблеми.** Употребата на прекинувачот за струјна заштита при технички проблеми го намалува ризикот од електричен удар.
- 3) ЛИЧНА ЗАШТИТА**
- a) **Бидете внимателни, внимавајте што правите и постапувајте внимателно додена работите со електричниот алат. Не работете со уредот доколку сте уморни или под дејство на дрога, алкохол или ленови.** Еден момент на невнимание при употребата може да доведе до сеиозни повреди.
- b) **Носете ја личната заштитна опрема и секогаш носете заштитни очила.** Носењето на личната заштитна опрема, како што е маската за прашина, безбедносната облека која не се лизга, заштитен шлем или штитник за слух, зависно од видот и примената на електричниот алат, ја намалува опасноста од повреда.
- c) **Избегнувајте невнимателно вклучување за време на работата. Осигурајте се прекинувачот да биде во “OFF” позиција пред да го ставите штекерот во приклучокот.** Доколку го носите електричниот алат со прстот на прекинувачот или го приклучувате апаратот кој е приклучен со напојување на струја, може да предизвикате незгода.
- d) **Пред вклучување на уредот, тргнете ги алатите за подесување или клучот за навртување.** Алатот или клучот кој се наоѓа во вртливост дел на уредот, може да предизвика незгода.
- e) **Не ги преценувајте своите способности. Завземете сигурен и стабилен став и во секој момент одржувајте рамнотежа.** На тој начин можете подобро да го контролирате уредот во неочекувани ситуации.
- f) **Носете соодветна облека. Не носете широка облека или наикт. Косата и алиштата треба да бидат подалену од подвижните делови.** Широка облека, наиктот или долгата коса може да се закачат за подвижните делови.
- g) **Доколку може да се монтираат направи за вшмукување и фаќање прашина, проверете дали се вклучени и дали можат исправно да се користат.** Примената на овие направи ја намалува опасноста од прашината.
- h) **Не дозволувајте искуството стеннато со честа употреба на алатите да ве направи спокојни и да ги игнорирате безбедносните принципи при неговото користење.** Невнимателно движење може да предизвика сериозни повреди во дел од секунда.
- 4) ВНИМАТЕЛНА УПОТРЕБА И РАКУВАЊЕ СО ЕЛЕКТРИЧНИТЕ АЛАТИ**
- a) **Не го преоперетувајте уредот. При вашата работа користете го предвидениот електричен алат за таа употреба.** Со соодветниот електричен алат ќе работите подобро и посигурно во наведената функционална област.
- b) **Не користете електричен алат чиј прекинувач е неисправен.** Електричниот алат кој повеќе не може да се вклучува и исклучува е опасен и мора да се поправа.
- c) **Исклучете го електричниот алат од струја и/или извадете го комплетот со батерии, ако се одделува, пред да правите ненакви прилагодувања, менувате дополнителна опрема или да го складирате електричниот алат.** Со овие мерки на внимателност ќе се избегне невнимателното вклучување на уредот.
- d) **Тргнете го електричниот алат кој не го користите од допирот на децата. Не допуштајте работа со уредот на лица кои не се запознаени со него или кои го немаат прочитано ова упатство.** Електричните алати се опасни доколку со нив работат неискусни лица.
- e) **Одржувајте го електричниот алат и дополнителната опрема. Имајте контрола онолу тоа дали движечните делови на уредот работат беспрекорно и дали не се заглавени, дали деловите се скршени или оштетени до таа мерна што не може да се обезбеди функционирање на уредот. Пред примената, овие оштетени делови треба да се поправаат.** Причина за многу незгоди е лошо одржуваниот електричен алат.
- f) **Алатите за сечење одржувајте ги остри и чисти.** Внимателно одржуваните алати за сечење со остри очтрици помалку ќе се заглавуваат и со нив работата ќе биде полесна.
- g) **Електричниот алат, прибор, работни алати итн., треба да ги користите според овие упатства, и на начин кој е опишан за соодветниот тип на уред. При тоа, земете ги предвид работните услови и работата која се извршува.** Употребата на електричните алати за други цели кои не се

предвидени, може да предизвика опасни ситуации.

h) **Рачките и површините за држење одржувајте ги суви, чисти и неизмастени.** Рачките и површините за држење што се лизгаат не овозможуваат безбедно ракување и контрола на алатот во неочекувани ситуации.

5) ВНИМАТЕЛНО РАКУВАЊЕ И КОРИСТЕЊЕ НА АПАРАТ СО АКУМУЛАТОР

- a) **Полнете го акумулаторот само во апаратите за полнење кои се пропишани од страна на производителот.** За апаратот за полнење кој е соодветен за определен вид на акумулатори, постои опасност од пожар, доколку се употребува со други акумулатори.
- b) **Користете ги електричните алати само со специфично назначени пакувања на батерии.** Користењето на друг вид на батерии може да доведе до ризик од повреда или пожар.
- c) **Нога батериите не се користат, држете ги настрана од метални предмети како штрафиња, парички, клучеви, клинчи, навртки или други, мали предмети кои може да направат краток спој.** Краткиот спој кај батериите може да предизвика изгореници или пожар.
- d) **При погрешна примена може да излезе течност од акумулаторот; избегнувајте контакт со неа. При случаен контакт, измијте се со вода. Ано течност дојде во допир со очите, побарајте и лекарска помош дополнително.** Течноста која може да излезе од акумулаторот може да доведе до надразнување на кожата и изгореници.
- e) **Не употребувајте комплет со батерии или алат кој е оштетен или изменет.** Оштетени или изменети батерии може да реагираат непредвидливо и да предизвикаат пожар, експлозија или опасност од повреда.
- f) **Не го изложувајте комплетот со батерии или алатот на оган или висока температура.** Изложувањето на оган или температура над 130°C може да предизвика експлозија.
- g) **Следете ги сите инструкции за полнење и не го полнете комплетот со батерии или алатот надвор од температурниот опсег наведен во инструкциите.** Неправилното полнење или на температурна надвор од наведениот опсег може да ја оштети батеријата и да ја зголеми опасноста од пожар.
- 6) **СЕРВИСИРАЊЕ**
- a) **Електричниот алат сервисирајте го кај квалификувано лице кое користи само идентични резервни делови.** Со ова се обезбедува безбедно одржување на електричниот алат.
- b) **Никога не поправајте оштетени комплети со батерии.** Поправката на комплети со батерии треба да ја врши само производителот или овластен сервис.

БЕЗБЕДНОСНИ УПАТСТВА ЗА АКУМУЛАТОРСКИ ДУПЧАЛКИ/ОДВРТУВАЧКИ

- 1) **БЕЗБЕДНОСНО УПАТСТВО ЗА СИТЕ ОПЕРАЦИИ**
- a) **Носете штитници за уши при ударно дупчење.** Изложеноста на бучава може да предизвика губење на слухот.

b) **Држете го електричниот апарат на изолираните површини за фаќање при изведување на операција каде додатокот за сечење или спојката може да контактираат со скриени жици.** Додатоците за сечење и деловите за прицврстување што ќе дојдат во контакт со жица под напон може да ги електрифицираат металните делови на алатот и да предизвикаат електричен удар на операторот.

2) УПАТСТВА ЗА БЕЗБЕДНОСТ КОГА УПОТРЕБУВАТЕ ДОЛГИ ДЕЛОВИ ЗА ДУПЧЕЊЕ

- a) **Никога не ракувајте со поголема брзина од максимално дозволената за делот за дупчење.** При повисоки брзини, делот може да се свитка ако се дозволи да ротира слободно без контакт со работното парче, што може да резултира со лична повреда.
- b) **Секогаш започнете со дупчење при мала брзина и со делот за дупчење во контакт со работното парче.** При повисоки брзини, делот може да се свитка ако се дозволи да ротира слободно без контакт со работното парче, што може да резултира со лична повреда.
- c) **Нанесете притисок само во директна линија со делот и не применувајте прекумерен притисок.** Деловите можат да се свиткаат, предизвикувајќи оштетување или губење на контрола, што може да резултира со лична повреда.

ОПШТИ

- Прашината од материјали како боја која содржи олово, некои видови дрво, минерали и метали, може да биде штетна за здравјето (контактот со прашина или нејзиното вдишување може да шредизвика алергии и/или болести на дишните органи за оној кој работи со алатот или луѓето во близина); **носете маска за прашина и работете со правосмукалки доколку можете да ги поврзете**
- Некои видови прашина се канцерогени (како на пример прашина од даб или бука), особено заедно со адитиви за одржување на дрвото; **носете маска за прашина и работете со правосмукалки доколку можете да ги поврзете**
- Следете ги процедурите на вашата земја за прашина која се јавува како резултат од материјалите со кои работите
- **Не обработувајте никаков материјал кој содржи азбест** (азбестот важи за предизвикувач на рак)
- При промена на приборот, пренесување или прибирање на алатот, задолжително поставете го прекинувачот К ② во средна позиција (заклучено)

ПРИБОР

- SKIL може да признае гаранција само доколку е користен оригинален прибор
- Користете само прибор чија дозволена брзина е во најмала рака еднаква на најголемата брзина при празен од на електричниот алат

ПРЕД УПОТРЕБА

- Избегнувајте оштетувања од штрафови, шајки и други предмети во местото каде работите; тргнете ги пред да почнете со работа
- Секогаш проверувајте го напонот на плочката со податоци за типот на полначот
- **Зацврстете го материјалот кој го обработувате** (обработка која е зацврстена со стеги или во менгема е побезбедна отколку да ја држите со раце)

- **Користете соодветни детектори за наоѓање на скриени инсталации или повикајте соодветна компанија за помош** (контактот со електричните линии може да доведе до струен удар; оштетувањата во гасоводна цевка може да резултира со експлозија; пенетрирање во водоводна инсталација може да доведе до оштета на предмети или електричен удар)

ВО ТЕКОТ НА УПОТРЕБАТА

- Во случај да дојде до електричен или механички дефект, апаратот треба веднаш да се исклучи и да се извлече приклучникот од мрежната приклучница

АНУМУЛАТОРСКА БАТЕРИЈА

- **Испорачаната батерија е делумно наполнета** (за да се обезбеди целосен капацитет на батеријата, целосно наполнете ја батеријата во полначот на батеријата пред да го употребите вашиот електричен алат за првпат)
- **Користете ги исклучиво следниве батерии и полначи со овој алат**
 - Батерија SKIL: BR1*31****
 - Полнач SKIL: CR1*31****
- Оштетената батерија не треба понатаму да се користи туку да се замени
- Не ја расклопувајте батеријата
- Никогаш не ги изложувајте на дожд алатот/батеријата
- Дозволена температура на околината (алатка/полнач/батерија):
 - при полнење 4...+40°C
 - при работа -20...+50°C
 - при складирање -20...+50°C

ОБЈАСНУВАЊЕ НА СИМБОЛИТЕ ЗА АЛАТОТ/БАТЕРИЈАТА

- ③ Пред употреба прочитајте го прирачникот за употреба
- ④ Во допир со оган батериите ќе експлодираат, затоа не ги палете батериите од која било причина
- ⑤ Секогаш чувајте ги апаратот/полначот/батеријата во просторија на температура помалку од 50°C
- ⑥ Не се ослободувајте од електрични алати и батерии во домашниот отпад

УПОТРЕБА

- Комбиниран прекинувач за вклучување/исклучување и за контрола на брзината A ②
 - брзината се контролира на степени од нула до максимум со применување помалку или повеќе сила врз активаторот
- Полнење на акумулаторска батерија
 - ! **прочитајте ги безбедносните предупредувања и упатствата дадени со полначот**
- Вадење/инсталирање на батеријата ②
- Прицврстување на клипот за ремен ⑦
 - прицврстете го клипот за ремен L на дупчалката со испорачаната завртка.
- Индикатор за нивото на батеријата ⑧
 - притиснете на индикаторот за нивото на батеријата N за да се прикаже тековното ниво на батеријата ⑧a
 - ! **ако по притискање на копчето N ⑧b почне да трепка индикаторот за најниско ниво на батеријата, тогаш батеријата е празна**
 - ! **нога ќе почне да трепка индикаторот за нивото на батеријата 2 по притискање на**

копчето N ⑧c, батеријата не е во рамните на дозволиениот опсег за работна температура

- ЛЕД-светилки M ⑬
 - Сијаличката LED M автоматски светнува кога ќе се активира прекинувачот A
 - ! **нога трепка ЛЕД-светилката, се активира заштитата на батеријата (види подолу)**
- Заштита на батеријата
 - Алатот наеднаш се исклучува или не може да се вклучи, кога
 - **товарот е преголем** --> отстранете го товарот и почнете повторно
 - **температурата на батеријата не е во рамките на дозволиениот опсег на работна температура од -20 до +50°C** --> 2 нивоата на индикаторот за ниво на батеријата почнуваат да трепкаат кога ќе го притиснете копчето N ⑧c; почекајте батеријата да се врати во рамките на дозволиениот опсег на работна температура
 - **батеријата е скоро празна (заштита од целосно празнење)** --> на индикаторот за нивото на батеријата ќе се прикаже ниско ниво на батеријата или ќе трепка за ниско ниво на батеријата ⑧b кога ќе притиснете на копчето N; наполнете ја батеријата
 - ! **не продолжувајте да притискате на прекинувачот за вклучување/исклучување откако алатот ќе се исклучи автоматски; батеријата ќе се оштети**
- Промена на насоката на ротација ⑨
 - ако левата/десната позиција не легнат како што треба, прекинувачот A ② нема да може да стартува
 - ! **менувајте ја насоката на ротацијата само кога алатот се наоѓа во целосно мирување**
- Промена на бургиите ⑩
 - ! **не употребувајте бургии со оштетена дршка**
- Контрола на вртежниот момент (VariTorque) ⑪
 - излезниот обрт ќе се зголемува ако прстенот на активаторот B се врти од 1 кон 17
 - при завртување на некоја завртка најпрво започнете со положбата 1 (VariTorque) и потоа полска зголемувајте до достигнување на саканата длабочина
 - позицијата F ќе ја заклучи спојката за да овозможи дупчење (без удари) или за извршување тешки работи
 - позицијата D ќе ја заклучи спојката за да овозможи само вибрациско дупчење
 - ! **проверете дали изборот за брзина B е во позиција 2 (најголема) кога прстенот на спојката C е во позиција за вибрациско дупчење**
 - ! **не користете ја позицијата за вибрациско дупчење D за дупчење дрво, метал, керамика и пластина за да спречите оштетување на бургијата/навртката**
- Избор на механички запченик ⑫
 - поставете го селекторот G на саканата брзина
 - ! **вклучете го изборот на брзини додека алатот работи бавно**

1

- пониска брзина
- голем момент на вртење

- за завртување и дупчење на отвори со голем дијаметар
- за вибрациски навој 2
- повисока брзина
- низок момент на вртење
- за вибрациско дупчење
- за дупчење отвори со мал дијаметар
- Држење и насочување на алатот 14
- ! **додена работите, секогаш држете го алатот за местото (местата) кое (кои) се означени со сива боја**
- отворите за ладење J 2 држете ги отворени
- не притискајте премногу со алатот; дозволете тој сам да работи

ОДРЖУВАЊЕ/СЕРВИСИРАЊЕ

- Овој алат не е наменет за професионална употреба
- Алатот секогаш да се одржува чист (особено отворите за ладење H 2)
- ! **отстранете ја батеријата од алатот пред чистење**
- Доколку алатот и покрај внимателното работење и контрола некогаш откаже, поправката мора да ја изврши некој овластен SKIL сервис за електрични алати
 - во случај на примедба, испратете го алатот **нерасклопен**, заедно со сметкопотврдата, до вашиот продавач или најблискиот SKIL сервис (адресите се наведени на www.skil.com)
- Имајте предвид дека оштетувањето настанато заради преоптоварување или неправилно ракување со алатот ја отфрла гаранцијата (видете на www.skil.com или прашајте го продавачот за условите на гаранцијата на SKIL)

СОВЕТИ ЗА ПРИМЕНА

- Користете соодветни бургии 15
- ! **употребувајте само остри бургии**
- При дупчење во метал
 - најпрво издупчете помала дупка, кога сакате да издупчите поголема дупка
 - бургијата подмачкувајте ја со масло од време на време
- При навртување на штрафовите на краевите на дрвото, прво треба да се издупчи мала дупка за да се избегне разлитување на дрвото
- За оптимална употреба на апаратот потребен е постојан притисок на завртката, особено во текот на одвртувањето
- При завртување на завртката во тврдо дрво претходно треба да се издупчи дупка
- Дупчење на дрво без разлитување 16
- Дупчење на дрво без прашина 17
- Дупчење на таван без прашина 18
- Дупчење на плочки без лизгање 19
- За повеќе информации видете на www.skil.com

ЗАШТИТА НА ЖИВОТНАТА СРЕДИНА

- **Не се ослободувајте од електрични алати, батерии, уреди или амбалажа преку нивно**

Фрлање во домашното губре (само за земјите на ЕУ)

- според Европската Директива 2012/19/ЕС за ослободување од електрична и електронска опрема и нејзина имплементација во согласност со националните закони, електричните алати кои го достигнале крајот на својот животен век мора да бидат собрани посебно и да бидат вратени во соодветен објект за рециклирање
- симболот 6 ќе ве потсетува на ова кога ќе дојде време алатот да го фрлите
- ! **пред да се фрли акумулаторската батерија во отпад, заштитите ги нејзините полови**

БУЧАВА / ВИБРАЦИИ

- Измерено во согласност со EN 62841, нивото на звучен притисок на оваа алатка е 83,0 dB(A) и нивото на звучна моќност 94,0 dB(A) (несигурност K = 5 dB), и вибрацијата * (триакс векторна сума; несигурност K = 1.5 m/s²)
 - * при дупчење во метал <2.5 m/s²
 - * при вибрациско дупчење во бетон 7,9 m/s²
- Нивото на емитување на вибрации кое е наведено на задниот дел на ова упатство е измерено во согласност со стандардизираниот тест даден во EN 62841; може да се користи за да се спореди еден алат со друг, и како првична оценка за изложеноста на вибрации кога се користи алатот за споменатите примени
 - користењето на алатот за разни примени, или со различни или неправилно чувани делови, може да доведе до значајно **зголемување** на нивото на изложеност
 - кога алатот е исклучен или кога алатот е вклучен но не врши некаква работа, може да дојде до значително **намалување** на нивото а изложеност
- ! **заштитете се од ефектите на вибрациите преку одржување на алатот и неговите делови, одржување на топлината во вашите раце, и организирање на вашата работа**

AL

Trapano me goditje/vidator 3018/3020 me bateri

HYRJJE

- Kjo pajisje është e projektuar për shpim me goditje në tulla si dhe shpime në dru, metal, qeramikë dhe plastikë; veglat me kontroll automatik të shpejtësisë dhe rrotullim majtas/djathtas janë po ashtu të përshtatshme për vidhosje dhe prerje me filetim
- Kjo vegël nuk është e projektuar për përdorim profesional
- Lexoni dhe ruani këtë manual të përdorimit 3

TË DHËNAT TEKNIKE 1

Forca maksimale e rrotullimit për veprime vidhosjeje të forta sipas ISO 5393 : 55Nm

ELEMENTET E VEGËL 2

- A Çelësi për nderze/fikje dhe kontrolli i shpejtësisë
- B Unaza për kontrollin e forcës së rrotullimit

- C Çelësi për ndryshimin e funksionit
- D Pozicioni i shpimit me goditje
- E Pozicioni i shpimit
- F Pozicioni i kaçavidës
- G Zgjedhja e marsheve
- H Treguesi i drejtimit të zgjedhur të rrotullimit
- J Të çarat e ajrosjes
- K Çelësi për ndryshimin e drejtimit ose të rrotullimit
- L Kapësja e rripit
- M Drita LED
- N Treguesi i nivelit të baterisë

SIGURIA

PARALAJMËRIME TË PËRGJITHSHME TË SIGURISË PËR PAJISJET ELEKTRIKE

PARALAJMËRIM: Lexoni të gjitha paralajmërimet, udhëzimet, ilustrimet dhe specifikimet e dhëna me këtë mjet pune. Mosrespektimi i të gjitha udhëzimeve të renditura më poshtë mund të rezultojë në goditje elektrike, zjarr dhe/ose dëmtime të rënda.

Ruani të gjitha paralajmërimet dhe udhëzimet për referencë në të ardhmen.

Termi "pajisje elektrike" në paralajmërimet i referohet pajisjes elektrike që përdoret nga priza (me kablo) ose pajisjes elektrike me bateri (pa kablo).

1) SIGURIA E ZONËS SË PUNËS

- a) **Mbajeni zonën e punës të pastër dhe të ndriçuar mirë.** Zonat e çrregullta ose të errëta janë një ftesë për aksidente.
- b) **Mos i përdorni pajisjet elektrike në situata me mundësi shpërthimi, si në prani të lëngjeve, gazeve ose pluhurave të djegshëm.** Pajisjet elektrike shkaktojnë shkëndija që mund të ndezin pluhurat ose avujt.
- c) **Mbajini fëmijët dhe personat e tjerë larg gjatë përdorimit të veglës së punës.** Tërheqja e vëmendjes mund të shkaktojë humbjen e kontrollit.

2) SIGURIA ELEKTRIKE

- a) **Spinat e veglës së punës duhet të përputhen me prizën. Mos modifikoni kurrë spinën në asnjë mënyrë. Mos përdorni asnjë spinë përshtatëse me veglat e punës me tokëzim.** Spinat e pamodifikuara dhe prizat përshtatëse do të zvogëlojnë rrezikun e goditjes elektrike.
- b) **Shmangni kontaktin trupor me sipërfaqe të tokëzuara si tuba, radiatorë, soba dhe frigoriferë.** Ka një rrezik më të madh të goditjeve elektrike nëse trupi është i tokëzuar.
- c) **Mos ekspozoni veglat e punës në shi ose në kushte me lagështi.** Uji që hyn në veglën e punës do të rritë rrezikun e goditjes elektrike.
- d) **Mos abuzoni me kordonin. Mos e përdorni kurrë kordonin për transportin, tërheqjen ose heqjen e spinës së veglës së punës. Mbajeni kordonin larg nga nxehtësia, vaji, anët e mprehta ose pjesët që lëvizin.** Kordonët e dëmtuar ose e bllokuar rrisin rrezikun e goditjes elektrike.
- e) **Kur përdorni një vegël pune në mjedise të jashtme, përdorni një kordon zgjatues të përshtatshëm për**

përdorim në mjedise të jashtme. Përdorimi i një kordoni të përshtatshëm për përdorime në mjedise të jashtme zvogëlon rrezikun e goditjes elektrike.

- f) **Nëse përdorni i veglës së punës në një vend me lagështi është i pashmangshëm, përdorni një automat qarku me shkarkesë me tokëzim.** Përdorimi i një automati me shkarkesë me tokëzim zvogëlon rrezikun e goditjes elektrike.
- 3) **SIGURIA PERSONALE**
 - a) **Qëndroni në gatishmëri, shikoni se çfarë po bëni dhe përdorni gjykimin kur përdorni një vegël pune. Mos e përdorni një vegël pune kur jeni i lodhur ose nën ndikimin e ilaçeve, alkoolit ose mjekimit.** Një moment humbje e vëmendjes gjatë përdorimit të veglave të punës mund të shkaktojë dëmtime të rënda personale.
 - b) **Përdorni pajisje personale mbrojtëse. Mbani gjithmonë pajisje për mbrojtjen e syve.** Pajisjet mbrojtëse si maska kundër pluhurit, këpuçet që nuk rrëshqasin, kaskat ose pajisjet për mbrojtjen e veshëve për kushtet përkatëse do të zvogëlojnë dëmtimet personale.
 - c) **Parandaloni ndezjen e rastësishme. Sigurohuni që çelësi është në pozicionin fikur para se të lidhni burimin e energjisë dhe/ose baterinë, para se të merrni ose të transportoni pajisjen.** Transportimi i veglave të punës me gishtin në çelësi ose aktivizimi i veglave të punës që kanë çelësin të ndezur është një ftesë për aksidente.
 - d) **Hiqni çdo çelës ose çelës përshtatës para ndezjes së veglës së punës.** Një çelës i lënë i lidhur me një pjesë rrotulluese të veglës së punës mund të shkaktojë dëmtime personale.
 - e) **Mos u zgjasni. Mbani një vendosje të mirë të këmbëve dhe një ekulibër të mirë në çdo moment.** Kjo gjë bën të mundur një kontroll më të mirë të veglës së punës në situata të papritura.
 - f) **Vishuni në mënyrën e duhur. Mos vishni veshje të gjera ose bizhuteri. Mbani flokët, veshjet dhe dorashkat larg nga pjesët lëvizëse.** Veshjet e gjera, bizhuteritë ose flokët e gjatë mund të kapen nga pjesët në lëvizje.
 - g) **Nëse janë ofruar pajisje për lidhjen e pajisjeve të mbledhjes dhe nxjerrjes së pluhurave, sigurohuni që ato të jenë të lidhura dhe të përdoren si duhet.** Përdorimi i mbledhjes së pluhurave mund të zvogëlojë rreziqet në lidhje me pluhurat.
 - h) **Mos lejoni që familjarizimi i fituar nga përdorimi i shpeshtë i veglave t'ju lejojë të tregoheni të vetëkënaqur dhe të shpërfillni parimet e sigurisë për pajisjet.** Një veprim i pakujdesshëm mund të shkaktojë dëmtime të rënda në më pak se një sekondë.
- 4) **PËRDORIMI DHE KUJDESI PËR VEGLËN E PUNËS**
 - a) **Mos ushtroni forcë mbi veglën e punës. Përdorni veglën e punës të duhur për përdorimin tuaj.** Vegla e punës e duhur do të realizojë një punë më të mirë dhe më të sigurt dhe me shpejtësinë që ajo është e projektuar.
 - b) **Mos përdorni veglën e punës nëse çelësi nuk e ndez apo e fik.** Çdo vegël pune që nuk mund të kontrollohet me anë të çelësit është e rrezikshme dhe duhet të riparohet.
 - c) **Shkëputni spinën nga burimi i energjisë dhe/ose baterinë nga vegla e punës para se të bëni**

rregullime të tjera, të ndryshoni aksesorët ose të ruani veglat e punës. Këto masa parandaluese të sigurisë ulin rrezikun e ndezjes aksidentale të veglës së punës.

- d) **Mbani veglat e punës larg fëmijëve dhe mos lejoni personat e pamësuar me veglën e punës ose këto udhëzime për përdorimin e pajisjes.** Veglat e punës janë të rrezikshme në duart e përdoruesve të patrajnuar.
- e) **Mirëmbani veglat e punës. Kontrolloni për mospërshatje ose bllokim të pjesëve lëvizëse, thyerje të pjesëve dhe gjendje të tjera që mund të ndikojnë në funksionimin e veglës së punës. Nëse dëmtohet, riparojeni veglën e punës para përdorimit.** Shumë aksidente shkaktohen nga veglat e punës jo të mirëmbajtura si duhet.
- f) **Mbajini pajisjet prerëse të pastra dhe të mprehta.** Pajisjet e prerjes të mirëmbajtura dhe me anë të mprehta kanë më pak mundësi për t'u bllokuar dhe janë më të lehta për t'u kontrolluar.
- g) **Përdorni veglat e punës, aksesorët dhe puntot, etj. në përputhje me këto udhëzime, duke marrë parasysh kushtet e punës dhe punën që do të kryhet.** Përdorimi i veglave për përdorime të ndryshme nga ato të përcaktuara mund të shkaktojë rreziqe.
- h) **Mbajini dorezat dhe sipërfaqet ku mbaheni të thata, të pastra dhe pa vajra ose graso.** Dorezat dhe sipërfaqet ku mbaheni, kur janë të rrëshqitshme, nuk ju lejojnë ta menaxhoni dhe ta kontrolloni në mënyrë të sigurt pajisjen në situata të papritura.
- 5) **PËRDORIMI DHE KUJDESI PËR VEGLËN ME BATERI**
 - a) **Karikoni vetëm me karikuesin e përcaktuar nga prodhuesi.** Një karikues që është i përshtatshëm për një lloj baterie mund të krijojë rrezik për zjarr kur përdoret me një bateri tjetër.
 - b) **Përdorni veglat e punës vetëm me bateritë e përcaktuara respektivisht.** Përdorimi i çdo baterie tjetër mund të krijojë rrezik për dëmtime dhe zjarr.
 - c) **Kur bateria nuk është në përdorim, mbajeni larg nga objektet e tjera metalike si kapëset e letrës, monedhat, çelësat, gozhdët, vidat ose objektet e tjera të vogla metalike që mund të bëjnë lidhjen e një terminali me terminalin tjetër.** Lidhja e shkurtër e terminaleve të baterisë mund të shkaktojë djegie ose zjarr.
 - d) **Në kushte abuzimi, nga bateria mund të rrjedhin lëngje; shmangni kontaktin me to. Në rast se ndodh aksidentalisht kontakti, shpërlajeni me ujë. Në rast se lëngu bie në kontakt me sytë, kërkoni edhe ndihmë mjekësore.** Lëngu i rrjedhur nga bateria mund të shkaktojë acarime ose djegie.
 - e) **Mos e përdorni një pako baterish ose një vegël që është e dëmtuar apo e modifikuar.** Bateritë e dëmtuara ose të modifikuara mund të shfaqin sjellje të paparashikuara, duke shkaktuar zjarr, shpërthim ose rrezik për lëndimin tuaj.
 - f) **Mos e ekspozoni një pako baterish ose një vegël ndaj zjarrit ose temperaturës shumë të lartë.** Ekspozimi ndaj zjarrit ose një temperature mbi 130°C mund të shkaktojë shpërthim.
 - g) **Ndiqni të gjitha udhëzimet për karikimin dhe mos e karikoni pakon e baterive ose veglën jashtë gamës së temperaturës që specifikohet tek udhëzimet.** Karikimi i papërshtatshëm ose në temperatura jashtë

gamën së specifikuar mund të dëmtojë baterinë dhe të rritë rrezikun për zjarr.

6) SHËRBIIMI

- a) **Shërbimi i veglës së punës duhet të kryhet nga një person i kualifikuar për riparimet duke përdorur vetëm pjesë ndërrimi identike.** Kjo gjë do të sigurojë ruajtjen e sigurisë së veglave të punës.
- b) **Mos kryeni asnjëherë shërbimin për pakot e baterive.** Shërbimi për pakot e baterive duhet të kryhet vetëm nga prodhuesi ose ofruesit e autorizuar të shërbimit.

UDHËZIMET E SIGURISË PËR TRAPANIN/VIDATORIN ME BATERI

1) UDHËZIMET E SIGURISË PËR TË GJITHA VEPRIMET

- a) **Vishni mbrojtëse veshësh kur bëni shpim me goditje.** Ekspozimi ndaj zhurmës mund të shkaktojë humbje dëgjimi.
- b) **Mbajeni mjetin e punës duke kapur sipërfaqet e kapës kur bëni një punë aty ku aksessori i prerjes ose shtrënguesi mund të kontaktojë me kablo të fshehur.** Aksessori i prerjes dhe shtrënguesit që kontaktojnë një tel me korrent mund të ekspozojnë pjesët metalike të mjetit në korrent dhe t'i japin përdoruesit një goditje elektrike.

2) UDHËZIMET E SIGURISË KUR PËRDORNI PUNTO TË GJATA

- a) **Asnjëherë mos e përdorni në shpejtësi më të madhe se shpejtësia maksimale e lejuar e puntos.** Në shpejtësi më të larta, ka të ngjarë që puntoja të përkulet nëse lihet të rrotullohet lirshëm pa pasur kontakt me sipërfaqen e punës, duke shkakuar kështu lëndime.
- b) **Gjithmonë filloni të shpioni në shpejtësi të ulët me majën e puntos në kontakt me sipërfaqen e punës.** Në shpejtësi më të larta, ka të ngjarë që puntoja të përkulet nëse lihet të rrotullohet lirshëm pa pasur kontakt me sipërfaqen e punës, duke shkakuar kështu lëndime.
- c) **Ushtroni presion vetëm në vijë direkte me puntion dhe mos ushtroni presion të tepër.** Puntot mund të përkulen duke shkakuar thyerje ose humbje të kontrollit dhe duke shkakuar kështu lëndime.

TË PËRGJITHSHME

- Pluhurat nga materialet si boja me plumb, disa lloje drurësh, mineralësh dhe metalesh mund të jenë të dëmshme (kontakti ose thithja e pluhurave mund të shkaktojë reagime alergjike dhe/ose sëmundje respiratore për përdoruesin ose personat përreth); **mbani një maskë për pluhurat dhe punoni me një pajisje për heqjen e pluhurave kur mund të lidhet**
- Disa lloje pluhurash skanë klasifikuar si kancerogjene (si pluhuri i lisit dhe i ahut) veçanërisht në ndërthurje me lëndët shtesë për kondicionimin e drurit; **mbani një maskë për pluhurat dhe punoni me një pajisje për heqjen e pluhurave kur mund të lidhet**
- Respektoni kërkesat kombëtare në lidhje me pluhurat për materialet me të cilat dëshironi të punoni
- **Mos punoni me materiale që përmbajnë asbest** (asbesti konsiderohet kancerogjen)
- Sigurohuni që çelësi K 2) të jetë në pozicionin e mesit (bllokues) para se të bëni ndonjë rregullim ose të ndërroni aksesorët, si dhe kur transportoni ose magazinoni veglën

AKSESORËT

- SKIL mund të garantojë funksionimin pa probleme të vegël vetëm kur përdoren aksesorët origjinalë
- Përdorni vetëm aksesorë të një shpejtësi të lejuar që përshtatet të paktën me shpejtësinë më të lartë pa ngarkesë të pajisjes

PARA PËRDORIMIT

- Shmangni dëmtimet që mund të shkaktohen nga vidat, gozhdët dhe elementet e tjera në materialin e punës; hiqni ato para se të filloni punën
- Kontrolloni gjithmonë që voltazhi i energjisë të jetë i njëjtë me voltazhin e treguar në etiketën e karikuesit
- **Sigurori materialin e punës** (një material i shtrënguar me një pajisje shtrëngimi ose morsë mbahet në mënyrë më të sigurt se sa me dorë)
- **Përdorni detektorë përkatës për të gjetur linjat e fshehura të shërbimit ose telefononi kompaninë lokale të shërbimeve për ndihmë** (kontakti me linjat elektrike mund të shkaktojë zjarr ose goditje elektrike; dëmtimi i një linje gazi mund të shkaktojë një shpërthim; shpimi i një tubi uji do të shkaktojë dëmtim të pronës ose një goditje elektrike)

GJATË PËRDORIMIT

- Në rast defekti elektrik ose mekanik, fikni menjëherë pajisjen ose hiqni karikuesin nga burimi i energjisë

BATERIVE

- **Bateria e dhënë është pjesërisht e karikuar** (për të siguruar kapacitet të plotë të baterisë, karikojeni baterinë plotësisht në karikuesin e baterisë para se ta përdorni mjetin për herë të parë)
- **Përdorni vetëm bateritë dhe karikuesit e mëposhtëm me këtë mjet**
 - Bateria SKIL: BR1*31****
 - Karikues SKIL: CR1*31****
- Mos e përdorni baterinë kur është dëmtuar; ajo duhet ndërruar
- Mos e çmontoni baterinë
- Mos e ekspozoni mjetin/baterinë në shi
- Lejohet temperatura e ambientit (vegël/karikuesin/bateri):
 - kur karikoni 4...40°C
 - gjatë punës -20...+50°C
 - gjatë magazinimit -20...+50°C

SHPJEGIMI I SIMBOLEVE NË VEGËL/BATERI

- ③ Lexoni manualin e udhëzimeve para përdorimit
- ④ Bateritë mund të shpërthejnë kur hidhen në zjarr, prandaj mos i digjni bateritë për asnjë arsye
- ⑤ Ruajeni vegël/karikuesin/baterinë në vende ku temperatura nuk do të kalojë 50°C
- ⑥ Mos i hidhni veglat elektrike dhe bateritë së bashku me materialet e mbeturinave familjare

PËRDORIMI

- Çelësi i kombinuar për ndezje/fikje dhe kontrolli i shpejtësisë A ②
 - kontrolloni shpejtësinë në shkallë nga zero në maksimum duke ushtruar më pak ose më shumë trysni mbi çelës
- Karikimi i baterisë
 - ! **lexoni paralajmërimet dhe udhëzimet e sigurisë të dhëna me karikuesin**
- Heqja/instalimi i baterisë ②
- Vendosja e kapësës së rripit ⑦
 - vendosni kapësen e rripit L në trapan me vidën e dhënë.

- Treguesi i nivelit të baterisë ⑧
 - shtypni butonin tregues të nivelit të baterisë N për të treguar nivelin aktual të baterisë ⑧a
 - ! **kur fillon të pulsojë niveli më i ulët i treguesit të baterisë pasi keni shtypur butonin N ⑧b, bateria është bosh**
 - ! **kur fillojnë të pulsojnë nivelet 2 të treguesit të baterisë pasi keni shtypur butonin N ⑧c, bateria nuk është brenda temperaturës së lejuar**
- Drita LED M ⑬
 - Drita LED M ndizet automatikisht kur aktivizoni çelësin A
 - ! **kur drita LED fillon të pulsojë, kjo do të thotë se është aktivizuar mbrojtja e baterisë (shiko më poshtë)**
- Mbrojtja e baterisë
 - Mjeti fiket papritur ose nuk ndizet kur
 - **ngarkesa është shumë e lartë** --> hiqeni ngarkesën dhe ndizeni përsëri
 - **temperatura e baterisë nuk është brenda nivelit të lejuar të temperaturës nga -20 në +50°C** --> 2 nivelet e treguesit të nivelit të baterisë fillojnë të pulsojnë kur shtypni butonin N ⑧c; prisni derisa bateria të jetë brenda temperaturës së lejuar
 - **bateria është thuajse bosh (për t'u mbrojtur nga dëmtimi për shkak të shkarkimit të thellë)** --> niveli i ulët i baterisë ose pulsimi për shkak të nivelit të ulët të baterisë ⑧b tregohet në treguesin e nivelit të baterisë kur shtypni N; karikoni baterinë
 - ! **mos vazhdoni të shtypni çelësin e ndezjes/fikjes pasi pajisja të fiket automatikisht; bateria mund të dëmtohet**
- Ndryshimi i drejtim të rrotullimit ⑨
 - kur është vendosur si duhet në pozicionin majtas/djathtas, çelësi A ② nuk mund të aktivizohet
 - ! **ndryshoni drejtimin e rrotullimit vetëm kur pajisja të jetë plotësisht e ndaluar**
- Ndërimi i puntave ⑩
 - ! **mos i përdorni puntat me një bosht rrotullues të dëmtuar**
- Kontrolli i forcës rrotulluese (VariTorque) ⑪
 - forca rrotulluese rezultative do të rritet kur unaza e freksionit B rrotullohet nga 1 në 17
 - kur vidhosni një vidë, në fillim provoni pozicionin VariTorque 1 dhe rriteni deri sa të arrini thellësinë e dëshiruar
 - pozicioni F do të bllokojë freksionin për të lejuar shpimin (jo me goditje) ose punime të rënda për vidhosje
 - pozicioni D do të bllokojë freksionin për të lejuar vetëm shpimin me goditje
 - ! **sigurohuni që çelësi i zgjedhjes së marshit B është në pozicionin 2 (i lartë) kur unaza e freksionit C është në pozicionin e shpimit me goditje**
 - ! **mos përdorni pozicionin e shpimit me goditje D për të shpuar në dru, metale, qeramikë dhe plastikë për të parandaluar dëmtimin e trapanit/puntos së vidhosjes**
- Zgjedhja e marshit mekanik ⑫
 - vendosni çelësin e përzgjedhjes G në shpejtësinë e kërkuar
 - ! **aktivizoni zgjedhjen e marshit kur pajisja të jetë duke punuar ngadalë**

1

- shpejtësi e ulët
- forca e rrotullimit e lartë
- për vidhosje dhe shpime në diametra të mëdhenj
- për filetim femër

2

- shpejtësi e madhe
- forca e rrotullimit e ulët
- për shpimin me goditje
- për shpime me diametër të vogël

- Mabajtja dhe drejtimi i veglës ¹⁴

! gjatë punës, mbajeni gjithmonë veglën në zonën(at) e dorezës me ngjyrë gri

- mbajini të çarut e ajrimit J ² të pambuluara
- mos ushtroni shumë tryzni mbi pajisje; lëreni pajisjen që të punojë për ju

MIRËMBAJTJA / SHËRBIMI

- Kjo vegël nuk është e projektuar për përdorim profesional
- Gjithmonë mbajeni mjetin të pastër (sidomos vrimat e ajrimit H ²)

! hiqeni baterinë nga mjeti para se ta pastroni

- Nëse pajisja ka defekt pavarësisht kujdesit në prodhim dhe procedurat e provave, riparimi duhet të kryhet nga një qendër e shërbimit pas shitjes për veglat e punës të SKIL
- dërgoni veglën **të çmontuar** së bashku me vërtetimin e blerjes të shitësi ose te qendra më e afërt e shërbimit e SKIL (adresat si dhe diagrami i shërbimit i veglës janë të paraqitura në www.skil.com)
- Kini parasysh se dëmtimet për shkak të mbingarkesës ose manovrimit të papërshtatshëm të veglës janë të përjashtuara nga garancia (për kushtet e garancisë së SKIL vizitoni www.skil.com ose pyetni shitësin tuaj)

KËSHILLË PËR PËRDORIMIN

- Përdorni puntot e duhura ¹⁵
- ! përdorni vetëm punto të mprehta**
- Kur shpioni metale ferore
 - shpioni paraprakisht një vrimë të vogël, kur kërkohet një vrimë e madhe
 - lubrifikoni herë pas here me vaj puntun e shpimit
- Kur vidhosni një vidë/pranë skajit të prerjes kryq ose një skaj të drurit, shpioni paraprakisht një vrimë për të shmangur krisjen e drurit
- Për një përdorim optimal të veglës kërkohet një presion i qëndrueshëm mbi vidë, veçanërisht kur ta hiqni
- Kur vidhosni në dru të fortë, duhet të shpioni paraprakisht një vrimë
- Shpimi pa ashkla në dru ¹⁶
- Shpimi pa pluhura në mure ¹⁷
- Shpimi pa pluhura në tavanë ¹⁸
- Shpimi në pllaka pa rrëshqitur ¹⁹
- Për më shumë informacion, shikoni www.skil.com

MJEDISI

- **Mos i hidhni veglat elektrike, bateritë, aksesorët dhe paketimin së bashku me materialet e mbeturinave familjare** (vetëm për vendet e BE-së)
 - në respektim të Direktivës evropiane 2012/19/EC për pajisjet elektrike dhe elektronike si mbetje dhe zbatimin e saj në përputhje me ligjet kombëtare, pajisjet elektrike

që kanë arritur në fund të jetëgjatësisë së tyre duhet të mblidhen të ndara dhe të kthehen në një objekt riciklimi në përputhje me mjedisin.

- simboli ⁶ do t'ju kujtojë për këtë gjë kur të jetë nevoja për t'i hedhur

! para hedhjes mbroni terminalet e baterisë me ngjytës të fortë për të parandaluar qarkun e shkurtër

ZHURMA / VIBRIMI

- I matur sipas EN 62841, niveli i presionit të zhurmës së këtij mjeti është 83,0 dB(A) dhe niveli i fuqisë së zhurmës 94,0 dB(A) (pasiguria K = 5 dB), dhe dridhja * (shuma e vektorit triax; pasiguria K = 1.5 m/s²)
 - * kur shpioni në metal <2,5 m/s²
 - * gjatë shpimit me goditje në beton 7,9 m/s²
- Niveli i emetimit të vibrimit është matur në përputhje me një provë të standardizuar të dhënë në EN 62841; ajo mund të përdoret për të krahasuar një vegël me një tjetër dhe si një vlerësim paraprak i ekspozimit ndaj vibrimit kur përdorni pajisjen për proceset e përmendura
 - përdorimi i pajisjes për procese të ndryshme, ose me aksesorë të ndryshëm dhe të mirëmbajtur keq, mund të rritë ndjeshëm nivelin e ekspozimit
 - kohët kur pajisja është e fikur dhe kur është e ndezur por jo në punë, mund të zvogëlojnë ndjeshëm nivelin e ekspozimit
- ! mbroni veten nga efektet e vibrimit duke mirëmbajtur pajisjen dhe aksesorët e saj, duke i mbajtur duart e ngrouta dhe duke organizuar mënyrën tuaj të punës**

• عوض کردن سرمته ⁽¹⁾

• **!** اگر ساقه سرمته آسیب دیده است نباید از آن استفاده کنید

• کنترل گشتاور ⁽¹¹⁾ (VariTorque)

- اگر حلقه ضامن B از A تا 17 تا گردانید گشتاور خروجی زیاد خواهد شد

- موقع بستن یک پیچ ابتدا وضعیت 1 VariTorque را امتحان کرده و آنرا زیاد کنید تا به عمق دخواه برسید

- وضعیت F ضامن را قفل می کند تا بتوانید از ابزار بعنوان پیچ گوشتی در کارهای سنگین و برای مته کاری (غیر ضربه ای) استفاده کنید

- وضعیت D ضامن را قفل می کند تا بتوانید از ابزار صرفاً برای مته کاری ضربه ای استفاده کنید

• **!** اطمینان حاصل کنید که گزینشگر دنده B وقتی که حلقه ضامن C در وضعیت مته کاری ضربه ای است در وضعیت 2 قرار داشته باشد

• **!** از وضعیت مته کاری ضربه ای D برای مته کردن چوب، فلزات، سرامیک و پلاستیک استفاده نکنید تا از آسیب دیدن سر مته/سر پیچ گوشتی جلوگیری شود

• گزینشگر مکانیکی دنده ⁽¹²⁾

- انتخاب گر G را روی دور دخواه بگذارید

• **!** هنگامی که دور ابزار پایین است گزینشگر دنده را فعال کنید

• دور پایین

• گشتاور بالا

- برای سفت و یاز کردن پیچ و سوراخ کاری قطر زیاد

- برای دزدن زدن

• دور بالا

• گشتاور کم

- برای مته کاری ضربه ای

- برای سوراخ کاری قطر کوچک

• نگهداشتن و هدایت ابزار ⁽¹³⁾

• **!** هنگام کار باید همیشه ابزار را از جا(های) دست خاکستری رنگ بگیرید

- شیارهای تهویه ل ⁽¹⁾ را مسدود نکنید

- فشار بیش از حد به ابزار وارد نکنید؛ بگذارید ابزار به جای شما کار کند

نگهداری / سرویس- خدمات

• این ابزار برای مصارف حرفه ای مناسب نیست

• همیشه ابزار را تمیز نگه دارید (بخصوص شیارهای تهویه H ⁽¹⁾)

• **!** پیش از تمیز کردن باید باتری را از ابزار جدا کنید

• اگر ابزار غیرعمر تمام وقت و مراقبتی که در فرایندهای تولید و تست بکار برده شده از کار افتاد، تعمیرات باید فقط در مراکز خدمات پس از فروش ابزارهای برقی SKIL انجام شود

- ابزار را بصورت یازنشده همراه با رسید خرید به فروشنده یا نزدیک ترین مرکز خدمات رسانی SKIL بفرستید (آدرسها به همراه نمودار نقشه های سرویس ابزار در www.skil.com موجود است)

• توجه داشته باشید که خرابی و خسارت ناشی از اضافه بار یا کار کردن نادرست با ابزار منضمول ضمانت نخواهند بود (برای آگاهی از شرایط ضمانت SKIL به نشانی www.skil.com مراجعه کرده یا از فروشنده خود سوال کنید)

توصیه های کاربردی

• از سرمته های مناسب استفاده کنید ⁽¹⁴⁾

• **!** فقط از سرمته های تیز استفاده کنید

• برای مته کردن فلزات آهنی

- اگر می خواهید سوراخ بزرگی ایجاد کنید، ابتدا یک سوراخ کوچک اولیه ایجاد کنید

- سرمته را هر چند وقت یکبار با روغن روانکاری کنید

• هنگام سفت کردن یک پیچ در/کنار لبه یا مقطع برش یک تکه چوب، ابتدا یک سوراخ ایجاد کنید تا چوب ترک نخورد

• برای عملکرد بهینه ابزار باید فشار یکنواخت روی پیچ وارد شود. بخصوص موقعی که پیچ را خارج می کنید

• اگر می خواهید چوب های سفت را پیچ کنید باید ابتدا یک سوراخ ایجاد کنید

• مته کاری بدون تراشه چوب ⁽¹⁵⁾

• مته کاری دیوار بدون گرد و غبار ⁽¹⁶⁾

• مته کاری سقف بدون گرد و غبار ⁽¹⁷⁾

• مته کاری کاشی ها بدون لیز خوردن ⁽¹⁸⁾

• برای اطلاعات بیشتر به www.skil.com مراجعه کنید ⁽¹⁹⁾

محیط زیست

• ابزارهای برقی، باتری ها، لوازم و بسته بندی آنها را نباید همراه با زباله های عادی خانگی دور انداخت (فقط مخصوص کشورهای عضو اتحادیه اروپا)

- با توجه به مصوبه اروپایی 2012/19/EC اروپا درباره لوازم برقی و الکترونیکی مستعمل و اجرای این مصوبه مطابق با قوانین کشوری، ابزارهای برقی که به پایان عمر مفید خود رسیده اند باید جداگانه جمع آوری شده و به یک مرکز بازیافت مناسب و سازگار با محیط زیست انتقال یابند

- **!** نماندگامت ⁽¹⁾ یادآور این مسئله در هنگام دور انداختن است

• قبل از دور انداختن باتری حتماً باید روی پایانه های باتری را با نوار چسب سنگین بپوشانید تا اتصال کوتاه نکند

صدا / ارتعاشات

• بر طبق اندازه گیری های انجام شده بر اساس استاندارد EN 12841، میزان فشار صوتی این ابزار 83،۰ دسی بل و میزان توان صوتی آن ۹۴،۰ دسی بل (عدم قطعیت $K = 5$ دسی بل) و میزان ارتعاشات آن * جمع بردارهای سه جهت، عدم قطعیت $K = 1,5$ متر/مجدور ثانیه) می باشد

• ***** در صورت مته کاری فلزات > ۲,۵ متر/مجدور ثانیه

• ***** در صورت مته کاری ضربه ای بتن ۷,۹ متر/مجدور ثانیه

• میزان انتشار ارتعاشات بر اساس تست استاندارد شده ای که در EN 12841 معرفی شده است اندازه گیری گردید: از این ارقام می توان برای مقایسه یک ابزار با دیگری و بعنوان ارزیابی اولیه در معرض قرارگیری ارتعاشات هنگام کار با ابزار در کاربری های فوق استفاده کرد

- استفاده کردن از ابزار برای کاربردهای متفاوت، یا با لوازم و ملتحقات

- متفاوتترقه یا لوازم و ملتحقاتی که بد نگهداری شده اند، می تواند میزان در معرض قرارگیری را بطور قابل ملاحظه ای افزایش دهد

- مواقعی که ابزار خاموش است یا روشن است ولی کاری با آن انجام نمی شود، میزان در معرض قرارگیری بطور قابل توجهی کاهش می یابد

• **!** یا نگهداری مناسب از ابزار و لوازم و ملتحقات آن، گرم نگهداشتن دست های خود، و سازمان دهی طرح های کاری می توانند خود را در برابر اثرات ارتعاش محافظت کنید

ج) یک بسته باتری با ابزار را در معرض آتش یا دماهای خیلی زیاد قرار ندهید. قرار دادن در معرض آتش یا دمای بالاتر از ۲۱۰ درجه سانتیگراد می تواند باعث انفجار گردد.

خ) تمام دستورالعمل های شارژ را رعایت کرده و بسته باتری یا ابزار را در خارج از محدوده دمای ذکر شده در راهنما شارژ نکنید. شارژ نادرست یا شارژ کردن در دماهای خارج از محدوده ذکر شده می تواند به باتری آسیب رسانده و خطر آتش سوزی را بالا ببرد.

۱) سرویس
ا) برای تعمیر ابزار الکتریکی فقط به متخصصین حرفه ای رجوع کرده و از مسائل بدیگی اصل استفاده کنید. این باعث خواهد شد که ایمنی دستگاه شما تضمین گردد.

ب) هرگز بسته های باتری آسیب دیده را سرویس نکنید. عملیات سرویس بسته های باتری باید فقط توسط سازنده یا مراکز خدماتی مجاز انجام شود.

هشدارهای ایمنی برای مته پیچ/گوشتهای شارژی

۱) هشدارهای ایمنی عمومی
ا) هنگام مته کاری ضربه ای باید از محافظ گوش استفاده کنید صدای بلند می تواند به شنوایی شما آسیب برساند.

ب) هنگام انجام کارهایی که در آن احتمال می دهید ابزار برش یا بستت ها باسیم های پنهان و غیراشکاف تماس پیدا کند، ابزار الکتریکی را فقط از دسته و سطوح عایق آن بگیرد. اگر متعلقات برش و بستت ها با یک سیم داری جریان "برق" تماس پیدا کنند، جریان "برق" به قسمت های فلزی آشکار ابزار الکتریکی نیز منتقل شده و باعث برق گرفتگی خواهد شد.

۲) دستورالعمل های ایمنی هنگام استفاده از سرمته های بلند
ا) هرگز با سرعتی بالاتر از سرعت حداکثر سرمته کار نکنید. در سرعت های بالاتر، اگر سرمته آزادانه و بدون تماس با قطعه کار بچرخد امکان دارم رخ شده و باعث جراحت شخصی شود.

ب) همیشه مته کاری را بالا سرعتی پایین تر و در حالی شروع کنید که نوک سرمته با قطعه کار در تماس باشد. در سرعت های بالاتر، اگر سرمته آزادانه و بدون تماس با قطعه کار بچرخد امکان دارد رخ شده و باعث جراحت شخصی شود.
ت) فقط در یک خط مستقیم با سرمته فشار وارد کنید و از وارد آوردن فشار بیش از حد خودداری نمائید. سرمته ها می توانند خم شده و باعث شکستن و یا از دست رفتن کنترل شوند و این منجر به جراحت شخصی خواهد شد.

عمومی

- گرد و خاکی که از موادی مانند رنگ های حاوی سرب، برخی گونه های چوب، مواد معدنی و فلزات بلند می شود می تواند خطرناک باشد (ماس با این گرد و خاکها و یا تنفس آنها می تواند در کاربران ابزار یا افراد نزدیک به محل کار واکنش های حساسیتی و بیماری های تنفسی ایجاد کند؛ یک ماسک مخصوص گرد و خاک بزنید و در صورت امکان از یک وسیله مکش گرد و خاک استفاده کنید
- برخی از گرد و خاکها (مانند گرد و خاکی که از چوب بلوط یا راش بلند می شود) علی الخصوص در مجاورت افزودنی های مخصوص چوب، سرطان زا هستند؛ یک ماسک مخصوص گرد و خاک بزنید و در صورت امکان از یک وسیله مکش گرد و خاک استفاده کنید
- از مقررات ملی مربوط به گرد و خاک موادی که می خواهید با آنها کار کنید پیروی نمائید
- با موادی حاوی آزیست کار نکنید (آزیست سرطان زا است)

قبل از هرگونه تنظیم یا عوض کردن متعلقات و یا حمل و قرار دادن ابزار در محل نگهداری آن مطمئن شوید که کلید O در وضعیت میانی (قفل) قرار داشته باشد

متعلقات

- SKIL در صورتی که از متعلقات اصلی استفاده کنید عملکرد بدون مشکل ابزار را تضمین می نماید
- متعلقات باید فقط با سرعت های چرخش مجاز که معادل بالاترین سرعت بدون بار ابزار هستند به کار برده شوند

پیش از استفاده

- پیچ ها، میخ ها و سایر اجزا دیگر می توانند به قطعه کاری شما آسیب بزنند؛ بنابراین پیش از شروع کار آنها را بردارید
- همیشه مطمئن شوید که ولتاژ ورودی دستگاه برابر ولتاژی باشد که روی پلاک شارژ نوشته شده است
- قطعه کاری را محکم کنید (اگر قطعه کاری را با گیره های جغاری یا گیره های رومیزی ثابت کنید بسیار مطمئن تر از گرفتن آن با دست خواهد بود)
- برای پیدا کردن سیم و لوله های پنهان از دستگاه های دکتومر مناسب استفاده کرده یا با شرکت های آب و برق و گاز محلی تماس گرفته و از آنها کمک

بخواهید (ماس با سیم های برق موجب آتش سوزی و برق گرفتگی می شود؛ آسیب رساندن به لوله های گاز سبب انفجار می شود؛ سوراخ کردن لوله های آب به ساختمان آسیب رسانده و موجب خطر برق گرفتگی می شود)

در حین استفاده

- در صورت بروز اشکالات برقی یا مکانیکی، فوراً ابزار را خاموش کرده و سیم برق شارژر را از پریز بکنید

باتری ها

شارژر باتری ارائه شده کامل نیست (برای تضمین کامل بودن ظرفیت باتری باید باتری را پیش از نخستین بار استفاده از ابزار الکتریکی بطور کامل در شارژر باتری شارژ کنید)

تنها از باتری ها و شارژرهای زیر با این ابزار استفاده کنید

- باتری SKIL: BR1 ۳۱۰۰۰۰۰۰۰۰۰۰۰۰
- شارژر SKIL: CR1 ۳۱۰۰۰۰۰۰۰۰۰۰۰۰۰۰۰
- اگر باتری آسیب دیده است از آن استفاده نکنید؛ باید آنرا عوض کنید
- باتری را از هم باز نکنید
- ابزار/باتری نباید در معرض باران قرار داده شود
- دمای محیطی مجاز (ابزار/شارژر/باتری):
 - هنگام شارژ ۴۰ ... ۰ درجه سانتیگراد
 - هنگام کار ۲۰ ... ۰ درجه سانتیگراد
 - قرار دادن در محل نگهداری ۰ ... ۵۰ درجه سانتیگراد

شرح علائم و نمادها ابزار/باتری

- ۱) پیش از کار حتماً فرفچه راهنما را مطالعه کنید
- ۲) اگر باتری در آتش انداخته شود امکان انفجار آن وجود دارد. بنابراین هرگز و هیچ بدلیلی باتری را نسوزانید
- ۳) ابزار/شارژر را در مکانی نگهدارید که دمای آن از ۵۰ درجه سانتیگراد تجاوز نمی کند

۱) ابزارهای برقی، باتری ها، آنها را نباید همراه با زباله های عادی خانگی دور انداخت

استفاده

- کلید ترکیبی برای روشن/خاموش کردن و کنترل دور A O
- با کم یا زیاد کردن فشار دست روی استارت می توانید دور را بدون پله از صفر تا حداکثر تنظیم کنید

شارژ کردن باتری

هشدارها و دستورالعمل های ارائه شده همراه شارژر را مطالعه کنید

- برداشتن/قرار دادن باتری V
- وصل کردن گیره کمر بند V
- گیره کمر بند را با استفاده از پیچ ارائه شده به منته وصل کنید
- نشانگر شارژر باتری A
- برای نمایش سطح کنونی باتری A دکمه نشانگر شارژر باتری N را فشار دهید
- ! اگر با فشار دادن دکمه A ، نشانگر پایین ترین سطح باتری شروع به چشمک زدن می کند، باتری تخلیه شده است

! هنگامی که سطوح ۲ نشانگر باتری بعد از فشار دادن دکمه A c شروع به چشمک زدن می کنند، باتری در محدوده دمای کاری مجاز نیست

- چراغ LED M
- چراغ LED M در صورت فعال شدن کلید A بطور خودکار روشن می شود
- ! اگر سیستم محافظت باتری فعال شده باشد، چراغ DEL شروع به چشمک زدن می کند (بخش زیر را ملاحظه کنید)
- محافظت باتری

ابزار در شرایط زیر ناگهان خاموش شده و یا روشن نمی شود

- بار وارده خیلی زیاد است << بار را برداشته و دوباره راه اندازی کنید
- دمای باتری در محدوده دمای کاری مجاز ۲۰ تا ۵۰ درجه سانتیگراد نیست << ۲ سطوح نشانگر شارژر باتری در هنگام فشار دادن دکمه A c شروع به چشمک زدن می کنند؛ صبر کنید تا باتری به محدوده دمای کاری مجاز بازگردد
- باتری عملاً تخلیه شده است (برای محافظت در برابر تخلیه عمیق) << یک سطح برقی ضعیف یا سطح باتری ضعیف چشمک زن A b در صورت فشار دادن دکمه N روی نشانگر سطح باتری دیده خواهد شد؛ باتری را شارژ کنید

! بعد از خاموش شدن خودکار ابزار کلید روشن/خاموش را مرتب فشار ندهید؛

- امکان دارد باتری آسیب ببیند
- تغییر جهت چرخش A
- کلید A ۱ در صورتی که درست در وضعیت چپاراست تنظیم نشده باشد، فعال نخواهد شد
- ! فقط زمانی جهت چرخش ابزار را عوض کنید که ابزار در حالت توقف کامل باشد

ایمنی

راهنامه‌های ایمنی عمومی برای ابزارهای الکتریکی

PA هشدار تمامی هشدارهای ایمنی، دستورالعمل‌ها، تصاویر و مشخصات فنی ارائه شده همراه با این ابزار الکتریکی را مطالعه کنید در صورت عدم رعایت هشدارهای زیر خطر برق‌گرفتگی، آتش سوزی و یا بروز جراحات‌های شدید وجود خواهد داشت.

همه هشدارها و راهنمایی‌ها را برای استفاده آتی نگهداری کنید.

در این هشدارها عبارت "ابزار الکتریکی" به معنی ابزارهای الکتریکی فاقد باتری (با سیم برق) و یا ابزارهای الکتریکی باتری دار (شارژی) است

۱) ایمنی محل کار

ا) محل کار خود را تمیز، مرتب و مجهز به نور کافی نگهدارید. محیط کار نامرتب و کم نور می‌تواند باعث سوانح کاری شود.

ب) با ابزار الکتریکی در محیط‌هایی که در آن خطر انفجار وجود داشته و حاوی مایعات، گازها و غیره‌های متفرقه باشد، کار نکنید. ابزارهای الکتریکی جرقه‌هایی ایجاد می‌کنند که می‌توانند باعث آتش گرفتن گرد و بخارهای موجود در هوا شوند.

ت) هنگام کار با ابزار الکتریکی، کمدکان و سایر افراد را از دستگاه دور نگهدارید. در صورتیکه حواس شما پرت شود، ممکن است کنترل دستگاه از دست شما خارج شود.

۲) ایمنی الکتریکی

ا) دوشاخه ابزار الکتریکی باید با پریز برق تناسب داشته باشد. هیچگونه تغییری در دوشاخه ندهید. مبدل دوشاخه نباید همراه با ابزار الکتریکی دارای اتصال به زمین (ارت شده) استفاده شود. مبدل دوشاخه نباید همراه با ابزار الکتریکی دارای اتصال به زمین (ارت شده) استفاده شود.

ب) از تماس بدنی با قطعات دارای سیم، اتصال به زمین (ارت شده) مانند لوله، شوفاژ، اجاق برقی و یخچال خود داری کنید. در صورتیکه بدن شما با سیم دارای اتصال به زمین (ارت شده) تماس پیدا کند، خطر برق‌گرفتگی بیشتر خواهد شد.

ت) دستگاه را از باران و رطوبت دور نگهدارید. نفوذ آب به ابزار الکتریکی، خطر شوک الکتریکی را افزایش می‌دهد.

ث) از سیم به درستی استفاده کنید. از سیم دستگاه برای کارهایی چون حمل ابزار الکتریکی، آویزان کردن آن و یا خارج کردن دوشاخه از برق استفاده نکنید.

دستگاه را در مقابل حرارت، روغن، لیه‌های تیز و بخش‌های متحرک دستگاه دور نگهدارید. کابل‌های آسیب دیده و یا گره خورده خطر شوک الکتریکی را افزایش می‌دهند.

ج) در صورتیکه با ابزار الکتریکی در محیط باز کار می‌کنید، تنها از کابل‌ها یا بطی استفاده کنید که برای محیط‌تان نیز مناسب باشند. کابل‌های رابط مناسب برای محیط باز، خطر برق‌گرفتگی را کم می‌کنند.

ح) در صورت لزوم کار با ابزار الکتریکی در محیط و اماکن مرطوب، در اینصورت باید از یک کلید حفاظتی جریان خطا و نشستی زمین (کلید قطع کننده اتصال با زمین) استفاده کنید. استفاده از کلید حفاظتی جریان خطا و نشستی زمین خطر برق‌گرفتگی را کمتر می‌کند.

۳) رعایت ایمنی اشخاص

ا) حواس خود را خوب جمع کنید، به کار خود دقت کنید و با فکر و هوش کامل با ابزار الکتریکی کار کنید. در صورت خستگی و یا در صورتیکه مواد مخدر، الکل و دارو استفاده کرده‌اید، با ابزار الکتریکی کار نکنید. یک خطه بی‌توجهی هنگام کار با ابزار الکتریکی، می‌تواند جراحات‌های شدیدی به همراه داشته باشد.

ب) همواره از تجهیزات ایمنی شخصی استفاده کنید. همواره از عینک ایمنی استفاده کنید. استفاده از تجهیزات ایمنی مانند ماسک ایمنی، کفش‌های ایمنی ضد لغزش، کلاه ایمنی و گوشی ایمنی متناسب با نوع کار با ابزار الکتریکی، خطر مجروح شدن را تقلیل می‌دهد.

ت) مواظب باشید که ابزار الکتریکی بطور ناخواسته بکار نیفتد. قبل از وارد کردن دوشاخه دستگاه در پریز برق، اتصال آن به باطری، برداشتن آن و یا حمل دستگاه، باید دقت کنید که ابزار الکتریکی خاموش باشد. در صورتیکه هنگام حمل دستگاه انگشت شما روی دکمه قفل و وصل باشد و یا دستگاه را در حالت روشن به برق بزنید، ممکن است سوانح کاری و آسیب‌هایی پیش آید.

ث) قبل از روشن کردن ابزار الکتریکی، باید همه ابزارهای تنظیم‌کننده و آچارها را از روی دستگاه بردارید. ابزار آچارهایی که روی بخش‌های خرد شده دستگاه قرار دارند، می‌توانند باعث ایجاد جراحات شوند.

ج) بیش از حد به آنها نزدیک نشوید. برای آرد جای مطمئن برای خود انتخاب کرده و تعامل خود را همواره حفظ کنید. به این ترتیب می‌توانید ابزار الکتریکی را در وضعیت‌های غیر منتظره بهتر تحت کنترل داشته باشید.

ح) لباس مناسب بپوشید. از پوشیدن لباس‌های فراخ و حمل زینت آلات خود داری کنید. ماسک، لباس و دستکش‌ها را از بخش‌های درحال چرخش دستگاه دور نگهدارید. لباس‌های فراخ، موی بلند و زینت آلات ممکن است در قسمت‌های درحال چرخش دستگاه گیر کنند.

خ) در صورتیکه می‌توانید وسایل مکش گرد و غبار و یا وسیله جذب زائده را به دستگاه نصب کنید، باید مطمئن شوید که این وسایل نصب و درست استفاده می‌شوند. استفاده از وسایل مکش گرد و غبار مصونیت شما را در برابر گرد و غبار زیاد تر می‌کند.

د) اجازه ندهید آشنایی و تسلط حاصل از استفاده مکرر از ابزارها باعث شود احساس نیاز به رعایت قواعد نکرده و به قوانین ایمنی ابزار بی‌توجهی کنید

یک عمل از روی بی‌دقتی می‌تواند در کسری از ثانیه موجب جراحات شدید شود

استفاده صحیح از ابزار الکتریکی و مراقبت از آن

ا) از وارد کردن فشار زیاد روی دستگاه خود داری کنید. برای هر کاری، از ابزار الکتریکی مناسب با آن استفاده کنید. بکار گرفتن ابزار الکتریکی مناسب باعث می‌شود که بتوانید از توان دستگاه بهتر و با اطمینان بیشتر استفاده کنید.

ب) در صورت ایراد در کلید قطع و وصل ابزار برقی، از دستگاه استفاده نکنید. ابزار الکتریکی که نمی‌توان آنها را قطع و وصل کرد، خطرناک بوده و باید تعمیر شوند.

ت) قبل از تنظیم ابزار الکتریکی، تعویض متعلقات و یا کنار گذاشتن آن، دوشاخه را از برق کشیده و یا باطری آنرا خارج کنید. رعایت این اقدامات پیشگیری ایمنی از راه افتادن ناخواسته ابزار الکتریکی جلوگیری می‌کند.

ث) ابزار الکتریکی را در صورت عدم استفاده، از دسترس کودکان دور نگهدارید. اجازه ندهید که افراد نا وارد و یا اشخاصی که این دفتر چه راهنما را نخوانده‌اند، با این دستگاه کار کنند. قرار گرفتن ابزار الکتریکی در دست افراد ناوارد و بی‌چیره خطرناک است.

ج) از ابزار الکتریکی خوب مراقبت کنید. مواظب باشید که قسمت‌های متحرک دستگاه خوب کار کرده و گیر نکنند. همچنین دقت کنید که قطعات ابزار الکتریکی شکسته و یا آسیب دیده نباشند. قطعات آسیب دیده را قبل از شروع به کار تعمیر کنید. علت بسیاری از سوانح کاری، عدم مراقبت کامل از ابزارهای الکتریکی می‌باشد.

ح) ابزار برش را تمیز و تمیز نگهدارید. ابزار برشی که خوب مراقبت شده و از لیه‌های تیز برخوردارند، کمتر در قطعه کار گیر کرده و بهتر قابل هدایت می‌باشند.

خ) ابزارهای الکتریکی، متعلقات، ابزارهای که روی دستگاه نصب می‌شوند و غیره را مطابق دستورالعمل این جزوه راهنما طوری به کار بگیرید که با مدل این دستگاه تناسب داشته باشند. همچنین به شرایط کاری و نوع کار توجه کنید. کاربرد ابزار برقی برای موارد کاری که برای آن در نظر گرفته نشده است، می‌تواند شرایط خطرناکی را منجر شود.

د) دسته‌ها و سطوح دستگیره‌ها را خشک، تمیز و عاری از روغن و گریس نگه دارید با دسته‌ها و سطوح دستگیره‌های لیز نمی‌توان در شرایط غیرمنتظره بطور ایمن با ابزار کار کرد و کنترل آنرا داشت

ه) مراقبت و طرز استفاده از ابزارهای شارژی

ا) باطری‌ها را منحصراً در دستگاه‌های شارژ کنید که توسط سازنده توصیه شده باشند. در صورتیکه برای شارژ باطری، آنرا در شارژری قرار دهید که برای آن باطری ساخته نشده است. خطر آتشنسوزی وجود دارد.

ب) در ابزار آلات الکتریکی، فقط از باطری‌هایی استفاده کنید که برای آن در نظر گرفته شده‌اند. استفاده از باطری‌های متفرقه می‌تواند منجر به جراحات و حریق گردد.

ت) در صورت عدم استفاده از باطری باید آنرا از گیره‌های فلزی، سکه، کلید، میخ، پیچ و دیگر وسایل کوچک فلزی دور نگه دارید. زیرا این وسایل ممکن است باعث ایجاد اتصال سوانحی و سوختگی و ایجاد باطری (ترمینالهای باطری) می‌توانند باعث سوختگی و ایجاد حریق شود.

ث) استفاده بی‌رویه از باطری می‌تواند باعث خروج مایعات از آن شود. از دست زدن به آن خود داری کنید. در صورت تماس اتفاقی با آن، دست خود را با آب بشوئید. در صورت آلوده شدن چشم، با این مایع، باید به پزشک مراجعه کنید. مایع خارج شده از باطری می‌تواند باعث التهاب پوست و سوختگی شود.

ج) اگر یک بسته باتری یا ابزار آسیب دیده یا دستکاری شده‌اند، نباید از آنها استفاده کنید. باتری‌های آسیب دیده یا دستکاری شده ممکن است کارکرد غیرقابل پیش‌بینی داشته و منجر به آتش سوزی یا انفجار شده و یا خطر جراحات ایجاد کنند.

! لا يتم تغيير اتجاه الدوران إلا عند توقف حركة الأداة تمامًا:
تغيير السنون (1)

! يحظر استخدام المنزلق مع ساق تدوير تالف

التحكم في العزم (VarTorque)

سنيم زيادة عزم الخرج حيث تم تدوير حلقة الفايض B من 1 إلى 17

عند التدوير لإدخال برغي، جُرب أولاً وضع 1 الخاص بإمكانية التحكم

عند VarTorque ثم قم بزيادة التدوير إلى أن تصل إلى العمق المطلوب:

سيقوم الوضع F بقتل الفايض لإنتاجة الثقب (غير الصدمي) أو الدسر للمواد

الثقبية:

سيقوم الوضع D بقتل الفايض لإنتاجة الثقب الصدمي فقط:

! تأكد من أن ناقل السرعة B في الوضع F عندما تكون حلقة الفايض C في

موضع الثقب الصدمي:

! لا تستخدم موضع الثقب الصدمي D لثقب الأخشاب والمعادن والسيراميك

والبلاستيك لتفادي تعرض الثقب/البرغي للتلوث

الاختيار الميكانيكي للسرعات (17)

- اضبط الدراع G على السرعة المطلوبة

! قم بتشغيل ناقل السرعات أثناء عمل الأداة ببطء:

- سرعة منخفضة

- عزم مرتفع

- إجراء فك البراغي وثقب لأقطار كبيرة:

- للقطع اللولبي:

- سرعة عالية

- عزم منخفض

- للثقب الصدمي

- لثقب أقطار صغيرة

إمسك الأداة وتوجيهها (18)

! أثناء العمل، امسك الأداة دائمًا من منطقة (مناطق) الفايض رمادية اللون

- احرص على أن تكون فتحات التهوية ل (1) غير مغطاة:

- لا تضغط بشدة على الأداة، بل اتركها تقوم بالعمل من أجليك:

الصيانة / الخدمة

• لم يتم تصميم هذه الأداة للاستخدام الاحترافي:

• احرص دائمًا على نظافة الأداة (وخصوصًا فتحات التهوية H (1))

! أزل البطارية من الأداة قبل التنظيف

• إذا تعذر تشغيل الأداة على الرغم من الحذر الشديد في إجراءات التصنيع والاختبار،

فيجب القيام بالإصلاحات بواسطة مركز خدمة ما بعد البيع لأدوات الطاقة التابع

لشركة SKIL:

- قم بإرسال الأداة دون تفكيكها بالإضافة إلى إثبات الشراء إلى البائع أو أقرب

محطة خدمة SKIL (العناوين بالإضافة إلى مخطط الخدمة متاحان على

www.skil.com)

• كن على علم بأن التلف الناتج عن زيادة التحميل أو التعامل مع الأداة بطريقة خاطئة

سينتج استنساؤه من الضمان (لمعرفة شروط ضمان SKIL انظر www.skil.com أو

قم بسؤال بائع المعدات)

توصيات الاستخدام

• استخدام السنون الملائمة (16)

! لا يستخدم سبوي سنون حادة

• عند ثقب معادن حديدية

- عند الحاجة لثقب فتحة كبيرة، قم بعمل ثقب خضيري لفتحة صغيرة

- قم بتزليق سن المثقاب من حين لآخر بالزيت

• عند ربط برغي في/بالقرب من طرف مقطع عرضي أو حافة قطع خشبية يجب

عمل ثقب خضيري لفتحة. تفاديا لحدوث تشقق بالخشب:

• للاستخدام الأمثل للأداة، يتطلب الأمر الضغط بثبات على البرغي. وبالأخص عند

إزالته

• عند تركيب البرغي داخل الخشب الصلب، يجب الثقب مسبقًا لعمل لفتحة:

• ثقب بدون تشظي في الخشب (11)

• ثقب بدون غبار في الجدران (17)

• ثقب بدون غبار في الأسقف (18)

• ثقب في البلاط بدون التزلق (19)

• مزيد من المعلومات زر موقعنا www.skil.com

البيئة المحيطة

• لا تتخلص من الأدوات الكهربائية والبطاريات والملحقات ومواد التغليف مع

النفايات المنزلية (الدول الاتحاد الأوروبي فقط):

- وفقًا للتوجيه الأوروبي 2002/96/EC حول نفايات المعدات الكهربائية والإلكترونية

وتطبيقه بالتوافق مع القانون المحلي، يجب جمع الأدوات الكهربائية منتهية

الصلاحية بشكل منفصل وإرسالها إلى أحد منشآت إعادة التصنيع المتوافقة

مع البيئة

- سيذكرك الرمز (1) بهذا عند الحاجة إلى التخلص من أية أداة:

! قبل التخلص من البطارية، قم بحماية الأطراف بشرط قوي لمنع حدوث

دائرة قصيرة

الضوضاء / الاهتزاز

• عند القياس بالتوافق مع EN 12841 يكون مستوى ضغط صوت هذه الأداة هو 83,0

ديسيبل (أ) ومستوى صوت الطاقة 94,0 ديبيسل (أ) (الاحتمالية K = 0 ديبيسل).

• والاهتزاز * مجموعة الكميات الموجهة: الاحتمالية K = 0 م/ث²)

* عند ثقب المعدن > 2,0 م/ث²

* عند الثقب الصدمي للخرسانة 7,9 م/ث²

• تم قياس مستوى الاهتزازات بالتوافق مع الاختبار المعياري المحدد في EN 12841: يمكن

استخدامه لمقارنة أداة بأداة أخرى وكتقييم تمهيدي للتعرض للاهتزاز عند استخدام

الأداة في التطبيقات الموضحة:

- قد يؤدي استخدام الأداة في تطبيقات مختلفة أو مع ملحقات مختلفة أو ذات

صيانة رديئة إلى زيادة مستوى التعرض بصورة كبيرة:

- إن الفترة الزمنية التي يتم خلالها إيقاف تشغيل الأداة أو عندما تكون قيد

التشغيل لكنها لا تؤدي أية مهام، تؤدي إلى تقليل مستوى التعرض بصورة

كبيرة:

! قم بحماية نفسك من تأثيرات الاهتزاز من خلال صيانة الأداة وملحقاتها.

والحفاظ على يدك دافئتين وتنظيم أحاط العمل لديك:

FA

٣٠/٢٠/٢٠١٨

يژرأش یتشوگ چ پ/ای ا ه برض ه تم

مقدمه

این ابزار برای منه کاری ضربه ای آجر و نیز منه کاری چوب، فلزات، سرامیک و

پلاستیک مناسب است؛ ابزارهای دارای سیستم الکترونیکی کنترل دور و انتخاب

جهت چرخش چهاراست بعنوان پیچ گوشتی برقی و روزه زن نیز قابل استفاده

هستند

• این ابزار برای مصارف حرفه ای مناسب نیست

• لطفاً این دفترچه راهنما را مطالعه کرده و نگهدارید (2)

اطلاعات فنی (1)

حداکثر گشتاور برای استفاده بعنوان پیچ گوشتی بر اساس ISO 5294: 05 نیوتن

متر

اجزای ابزار (2)

A کلید روشن/خاموش و کنترل دور

B حلقه کنترل گشتاور

C کلید تغییر عملکرد

D وضعیت منه کاری ضربه ای

E وضعیت منه کاری

F وضعیت پیچ گوشتی

G گزینشگر دنده

H نشانگر جهت چرخش انتخاب شده

J شماره ای تهویه

K کلید تغییر جهت چرخش

L گیره کمربند

M چراغ DEL

N نشانگر شارژ باتری

- ثبت قطعة العمل (الإمساك) بقطعة عمل مثبتة بأجهزة تثبيت أو في ملزمة أكثر أمثاً من مسكها باليد؛
- استخدم كاشفات ملائمة للعثور على خط المرافق أو اطلب شركة المرافق
- اطلب للحصول على مساعدة (التلامس مع خطوط إمداد الكهرباء قد يؤدي إلى حدوث حريق أو صدمة كهربائية؛ وتلف خط الغاز قد يؤدي إلى حدوث انفجار؛ واختراق أنابيب المياه سيستسبب في حدوث ضرر في المشتككات أو صدمة كهربائية؛
- أثناء استخدام
- في حالة حدوث خلل كهربوي أو ميكانيكي، قم في الحال بإيقاف تشغيل الأداة أو افصل الشاحن عن مصدر الطاقة

- البطاريات
- البطارية المرزودة مشحونة جزئياً (الضمان السعة الكاملة للبطارية، قم بشحن البطارية بالكامل في شاحن البطارية قبل استخدام الأداة الكهربائية لأول مرة)
- استخدم البطاريات والشواحن التي ترد مع هذه الأداة فقط
- بطارية (BR): SKIL: 2100000000
- شاحن (CR): SKIL: 2100000000
- لا تستخدم البطارية إذا تعرضت للتلف؛ يجب استبدالها
- لا تلمس بتفكيك البطارية
- لا تعرض الأداة للبطارية للأخطار
- درجة الحرارة المحيطة للسماح بها (الأداة/الشاحن/البطارية):
- عند الشحن 4...°C مئوية
- أثناء التشغيل 20...°C مئوية
- أثناء التخزين 20...°C مئوية

شرح الرموز الموجودة على الأداة/البطارية

- Ⓜ قم بقرارة دليل الإرشادات قبل الاستخدام
- Ⓝ قد تنفجر البطاريات عندما يتم التخلص منها بإشعال النار بها، لذا لا تلمس بإحراقها لأي سبب من الأسباب
- Ⓞ قم بتخزين الأداة/الشاحن/البطارية في أماكن لا تتجاوز درجة الحرارة فيها 50 درجة مئوية؛
- Ⓟ لا تتخلص من الأدوات الكهربائية والبطاريات مع النفايات المنزلية

الاستخدام

- مفتاح متعدد الوظائف للتشغيل/إيقاف التشغيل والتحكم في السرعة A ①
- يتحكم في السرعة من الصفر وحتى السرعة القصوى على نحو غير متدرج بالضغط أكثر أو أقل على الزناد
- شحن البطارية
- اقرأ إختبارات السلامة والتعليمات المرفقة بالشاحن
- فك/تركيب البطارية ②
- مشبك سير التثبيت ③
- تثبيت مشبك السير A بالثقاب من خلال براغي مرفقة
- مين مستوى البطارية ④
- اضغط على زر مؤشر مستوى البطارية N لتعرض مستوى البطارية الحالي A ⑤
- عندما يبدأ المستوى الأقل في مؤشر البطارية بالوميض بعد الضغط على الزر N ⑥ A، تكون البطارية فارغة
- عندما يبدأ ⑦ N، تكون البطارية ضمن نطاق درجة حرارة التشغيل المسموح بها
- مصباح LED M ⑧

مصباح LED M يضيء تلقائياً عند تشغيل الفتحاح A
 • عندما يبدأ مصباح DEL في الوميض، يتم تفعيل حماية البطارية (انظر أدناه)

- حماية البطارية
- يتم إيقاف تشغيل الأداة أو منع تشغيلها بصورة مفاجئة عندما
- يكون الحمل زائداً --- قم بإزالة الحمل وإعادة البدء
- لا تكون درجة حرارة البطارية ضمن نطاق درجة حرارة التشغيل المسموح بها من 20...°C يبدأ ⑨ يبدأ ⑩ من مستويين مؤشر مستوى البطارية بالوميض عند الضغط على الزر N ⑪ A؛ انتظر حتى تعود البطارية إلى نطاق درجة حرارة التشغيل المسموح بها
- البطارية شبه فارغة (لحمايتها ضد التفريغ التام للشحنة) --- يظهر انخفاض مستوى البطارية أو انخفاض مستوى البطارية الواضع b ⑫ من خلال مؤشر مستوى البطارية عند الضغط على زر N؛ اشحن البطارية
- لا تستمر في الضغط على مفتاح تشغيل/إيقاف تشغيل بعد إيقاف تشغيل الأداة تلقائياً، فرما تتسبب في إتلاف البطارية
- تغيير اتجاه الدوران ⑬
- في حالة عدم الضغط في الوضع الأيمن/اليسار بشكل صحيح A ⑭ يتعذر تنشيط المفتاح

ت) حافظ على إبعاد المراكز الذي لا يتم إستعماله عن مشابك الموقط وقطع النقود المعدنية والمفاتيح والمسامير والبولاب أو غيرها من الأجزاء المعدنية الصغيرة التي قد تقوم بتوصيل اللامسامين ببعضهما البعض، قد يؤدي تقصير الدارة الكهربائية بين لامس المراكز على الإحترق أو إلى إندلاع النار.

ث) قد يتسبب السائل من المركز عند سوء الإستعمال. تجنب ملامسته. اشطفه بالماء في حال ملامسته صدفه. إن وصل السائل إلى العينين، فراجع الطبيب إضافة إلى ذلك، قد يؤدي سائل المركز المنسرب إلى تهيج البشرة أو إلى الإحترق.

ج) لا تستخدم حزمة بطاريات أو أداة تالفة أو معدلة. قد تظهر البطاريات التالفة أو المعدلة سلوكيات غير متوقعة يتجم عنها حدوث حريق أو انفجار أو خطر التعرض للإصابة.

ح) تجنب تعريض حزمة البطاريات أو الأداة للهب أو درجة الحرارة الزائدة. التعريض للهب أو درجة حرارة أعلى من 100 درجة مئوية قد يتسبب في حدوث انفجار.

خ) اتبع كل تعليمات الشحن ولا تلمس بشحن حزمة البطاريات أو الأداة خارج نطاق درجة الحرارة المحدد في التعليمات. إن الشحن على نحو غير صحيح أو عند درجات حرارة تتجاوز النطاق المحدد قد يتسبب في تلف البطارية وزيادة خطر حدوث حريق الخدمة.

أ) سمح بتصليح عدتك الكهربائية فقط من قبل المتخصصين فقط باستخدام قطع الغيار الأصلية، يؤمن ذلك المحافظة على أمان الجهاز.

ب) تجنب تماماً خدمة حزم بطاريات تالفة. ينبغي إجراء أعمال الخدمة على حزم البطاريات بمعرفة الشركة المصنعة أو مزودي الخدمة المعتمدين فقط.

إرشادات السلامة الخاصة بالثقاب اللاسلكي/المفكات

- 1) تعليمات السلامة الخاصة بكافة عمليات التشغيل
- أ) قم بارتداء واقيات أذن عند الثقب العنيف التعرض للضوضاء يمكن أن يسبب فقدان السمع
- ب) امسك الأداة الكهربائية باستخدام أسطح الإمساك المعزولة عند إجراء أية عملية قد تتلامس فيها أداة القطع أو الإبر مع سلك مستتر. فتلامس أداة القطع والإبر مع سلك "متصل بالكهرباء" قد يؤدي إلى "وصول التيار الكهربائي" إلى أجزاء معدنية مكشوفة بالأداة الكهربائية وتعريض المشغل لصدمة كهربائية
- أ) تعليمات السلامة عند استخدام السن مع مثقاب طويل
- ب) لا تعمل أبداً بسرعة أعلى من السرعة القصوى لسن المثقاب عند السرعات العالية. من المحتمل أن ينحني السن إذا تم السماح له بالدوران بحرية دون التلامس بقطعة العمل. ما يؤدي إلى إصابة شخصية
- ب) قم دائماً باليد في الثقب بسرعة منخفضة وباستخدام طرف السن في التلامس مع قطعة العمل عند السرعات العالية. من المحتمل أن ينحني السن إذا تم السماح له بالدوران بحرية دون التلامس بقطعة العمل. ما يؤدي إلى إصابة شخصية
- ت) قم بالضغط فقط في خط مباشر من خلال السن و لا تضغط بشدة يمكن أن تنحني السن مما يؤدي إلى كسر أو فقدان السيطرة. ما يؤدي إلى إصابة شخصية

• معلومات عامة

الغبار الناتج من المواد كالتالي الذي يحتوي على رصاص وبعض أنواع الأخشاب والمعادن والمكونات المعدنية قد يكون ضاراً (لاملمسة أو استنشاق الغبار قد تتسبب في إصابة المشغل أو من يجاوره بأمراض الحساسية وأو أمراض الجهاز التنفسي؛ قم بارتداء قناع للغبار مع العمل باستخدام جهاز شفط للغبار، طالما أمكن توصيله

• ثمة أنواع معينة من الغبار تصنف على أنها مواد مسببة للسرطان (مثل غبار خشب البيلوط والزان) خاصة عند استخدامها مع مواد مضافة معالجة الخشب. قم بارتداء قناع للغبار مع العمل باستخدام جهاز شفط للغبار، طالما أمكن توصيله

• التزم بالطلبات الوطنية الخاصة بالغبار عند العمل باستخدام المواد المطلوبة

• لا تعمل باستخدام مواد تشتمل على الألبستوس (يعتبر الألبستوس مادة مسرطنة)؛

• تأكد من أن كفتاح K ① في الوضع المركزي (الفضل) قبل إجراء أية تعديلات أو تغيير الملحقات وكذلك عند حمل أو تخزين الأداة

• الملحقات

- تضمن SKIL التشغيل السليم للأداة فقط عند استخدام الملحقات الأصلية؛
- استخدم فقط الملحقات بالسرعة المسموح بها، والتي توافق على الأقل أعلى سرعة للأداة بدون حمل؛

قبل الاستخدام

- تجنب التلمس الذي قد يتسبب فيه البراغي والمسامير والعناصر الأخرى الموجودة في القطعة التي تعمل بها، قم بفكهم قبل بدء العمل؛
- تأكد دائماً من أن فولتية الإمداد هي نفسها المشار إليها على لوحة الاسم الخاصة بالشاحن

كلس نودب يمدص ك فم/ب ا ق ث م

٣٠٢٠/٣٠١٨

مقدمة

- تم تصميم هذه الأداة للغرب العنيف في الطوب بالإضافة إلى ثقوب الأخشاب والعماد والحرف. كما تعد الأدوات المزودة بتحكم إلكتروني في السرعات و دوران للميمن/اليسار مناسبة لربط البراغي وقطع الوالوب.
- لم يتم تصميم هذه الأداة للاستخدام الاحترافي:
- أقرأ دليل التعليمات هذا واحتفظ به ٣

١) البيانات الفنية

أقصى عزم مستخدم لكف البراغي وفقاً لمعايير الأيزو ٥٢٩٣: ٥٥ نيوتن متر

٢) مكونات الأداة

- A مفتاح للتشغيل/الإيقاف والتحكم في السرعة
B حقلقة للتحكم في العزم
C مفتاح لتغيير الوظيفية
D وضع الثقب الصدمي
E وضع الثقب
F وضع الكف
G ناقل السرعات
H مين اتجاه الدوران المحدد
J فتحات التهوية
K مفتاح لتغيير اتجاه الدوران
L مشبك السير
M مصباح DEL
N مين مستوى البطارية

أمان

تحذيرات السلامة العامة للأداة الكهربائية

أخذير أقرأ كل تحذيرات السلامة والتعليمات والأشكال الإيضاحية والمواصفات المرفقة مع هذه الأداة الكهربائية فقد يؤدي الإخفاق في الالتزام بكل التعليمات المبينة فيما يلي إلى التعرض لصدمة كهربائية وأو حريق وأو إصابة خطيرة:

احتفظ بكل التحذيرات للرجوع إليها في المستقبل

التحذيرات إلى الأداة المستخدمة في الحاسة بك التي « الأداة الكهربائية » ينشير المصطلح تعمل بطاقة المأخذ الرئيسي باستخدام سلك وأو بطاقة البطارية (بدون سلك):

(١) الأمان يمكن الشغل

أ) حافظ على نظافة وحسن إضاءة مكان شغلك الفوضه في مكان الشغل ومجالات العمل الغير مضاهة قد تؤدي إلى حدوث الحوادث.

ب) لا تشغل بالعدة الكهربائية في محيط معرض لخطر الانفجار والذي تتوفر فيه السوائل أو الغازات أو الأبخرة القابلة للإشتعال. العدة الكهربائية تشكل الشرر الذي قد يتطاير فيمشعل الأبخرة والأبخرة.

ت) حافظ على بقا الأطفال وغيرهم من الأشخاص على بعد عندما تستعمل العدة الكهربائية. قد تفقد السيطرة على الجهاز عند التلهي.

٢) الأمان الكهربائي

أ) يجب أن يتلامس قابس وصل العدة الكهربائية مع المقبس. لا يجوز تغيير القابس بأي حال من الأحوال لا تستعمل القوايس المهيمنة مع العدة الكهربائية المؤرضة تأريض وقائي. تخفض القوايس التي لم يتم تغييرها والمقابس الملائمة من خطر الصدمات الكهربائية.

ب) تجنب ملامسة السطوح المؤرضة كالأثابيب وراياتورات التدفئة والمدافي أو البرادات بواسطة جسمك. يزداد خطر الصدمات الكهربائية عندما يكون جسمك مؤرض.

ت) أبعد العدة الكهربائية عن الأمطار أو الرطوبة. يزداد خطر الصدمات الكهربائية إن تسرب الماء إلى داخل العدة الكهربائية.

ث) يجب عدم إساعة استخدام الكابيل. لا تسئ استعمال الكابيل لحمل العدة الكهربائية أو تعليقها أو لمسبب القابس من المقبس. حافظ على إبعاد الكابيل عن الحرارة والزيت والجواف الحادة أو عن أجزاء الجهاز المتحركة. تزيد الكابيلات التالفة أو المتشابكة من خطر الصدمات الكهربائية.

ج) استخدم فقط كابلات التمديد الصالحة للإستعمال الخارجي أيضا عندما تشغلت بالعدة الكهربائية في الخلاء. بخفض استعمال كابل تمديد مخصص للإستعمال الخارجي من خطر الصدمات الكهربائية.

ح) إن لم يكن بالإمكان عدم تشغيل العدة الكهربائية في الأجواء الرطبة. فاستخدم مفتاح لوقاية من التيار المتردد. إن استخدام مفتاح لوقاية من التيار المتردد يقلل خطر الصدمات الكهربائية.

٣) أمان الأشخاص
أ) كن يقظا وأنتبه إلى ما تفعله وقم بالعمل بواسطة العدة الكهربائية بتعقل. لا تستخدم عدة كهربائية عندما تكون متعب أو عندما تكون تحت تأثير المخدرات أو الكحول أو الأدوية. عدم الإنتباه للحظة واحدة عند إستخدام العدة الكهربائية قد يؤدي إلى إصابة خطيرة.

ب) ارتد عناد الوقاية الخاص. وارتد دائما نظارات واقية. يجب إرتداء عناد الوقاية الخاص كقناع الوقاية من الغبار وأحذية الأمان الواقية من الإنزلاق والخوذ واقية الأذنين. حسب نوع وإستعمال العدة الكهربائية. من خطر الإصابة بجروح.

ت) تجنب التنفيل بشكل غير مقصود. تأكد من كون الكهربائية مطفاة قبل وصلها بإمداد التيار الكهربائي و/أو بالمركم، وقبل رفعها أو حملها. إن كنت تضع أصبعك على المفتاح أثناء حمل العدة الكهربائية أو إن وصلت الجهاز بالشبكة الكهربائية عندما يكون قيد التشغيل. فقد يؤدي ذلك إلى حدوث الحوادث.

ث) انزع عدد الضبط أو مفتاح الربط قبل تشغيل العدة الكهربائية. قد تؤدي العدة أو المفتاح المتواجد في جزء دوار من الجهاز إلى الإصابة بجروح.

ج) تجنب أوضاع الجسم غير الطبيعية. قف بأمان وحافظ على توازنك دائما. سيسمح لك ذلك من السيطرة على الجهاز بشكل أفضل في المواقف غير المتوقعة.

ح) ارتد ملابس مناسبة. لا ترتدي الثياب الفضفاضة أو الخالي. حافظ على إبقاء الشعر والأظفار والخيول والقفازات على بعد عن أجزاء الجهاز المتحركة. قد تتشابك الثياب الفضفاضة والثياب والشعر الطويل بالأجزاء المتحركة.

خ) إن جاز تركيب جهاز شفط وجميع الغبار. فتأكد من أنها موصولة وبأنه يتم استخدامها بشكل سليم. قد يقلل إستخدام تجهيزات لشفط الأبخرة من المخاطر الناتجة عن الأبخرة.

د) لا تدع امتيالك على الاستخدام المتكرر للأدوات يسمح لك بتجاهل مبادئ سلامة الأداة؛ قد يتسبب الاستخدام بدون تكرارات في حدوث إصابة بالغة في غضون ثواني:

٤) حسن معاملة واستخدام العدة الكهربائية

أ) لا تقطر في خميل الجهاز إستخدم لتنفيذ أشغالك العدة الكهربائية المخصصة لذلك. إنك تعمل بشكل أفضل وأكثر أمانا بواسطة العدة الكهربائية الملائمة في مجال الأداء المذكور.

ب) لا تستخدم العدة الكهربائية إن كان مفتاح تشغيلها تالف العدة الكهربائية التي لم تسمح بتشغيلها أو بإطافئها خطيرة ويجب أن يتم تصليحها.

ت) اسحب القابس من المقبس و/أو انزع المرمك قبل ضبط الجهاز وقبل إستبدال التوابع أو قبل وضع الجهاز جانبا. تمنع إجراءات الاحتياط هذه تشغيل العدة الكهربائية بشكل غير مقصود.

ث) احتفظ بالعدد الكهربائية التي لا يتم إستخدامها بعيدا عن متال الأطفال. لا تسمح باستخدام العدة الكهربائية لمن لاخيرة له بها أو لمن لم يقرأ تلك التعليمات.

ج) اعن بالعدة الكهربائية بشكل جيد. تخفض عما إذا كانت أجزاء الجهاز المتحركة تعمل بشكل سليم وبأنها غير مستعصبة عن الحركة أو إن كانت هناك أجزاء مكسورة أو تالفة لدرجة تؤثر فيها على حسن أداء العدة الكهربائية. ينبغي تصليح هذه الأجزاء التالفة قبل إعادة تشغيل الجهاز. الكثير من الحوادث مصدرها العدة الكهربائية التي تم صيانتها بشكل ردي.

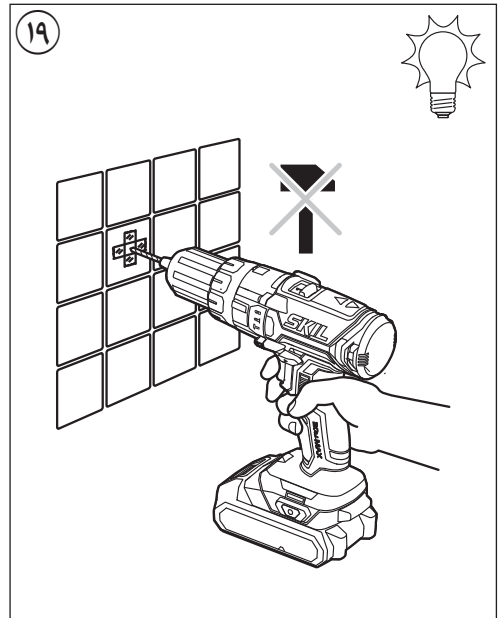
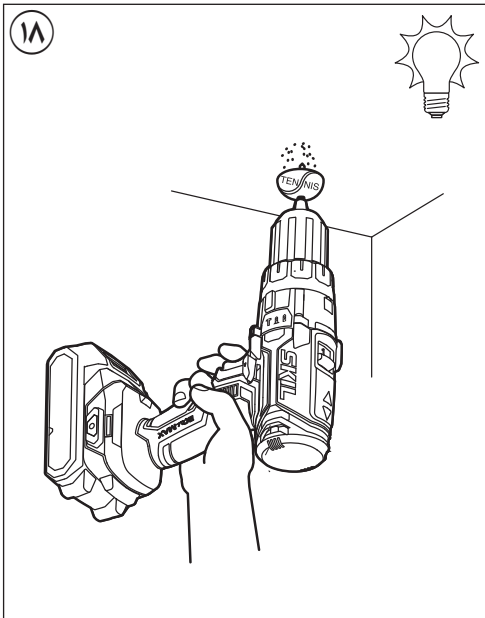
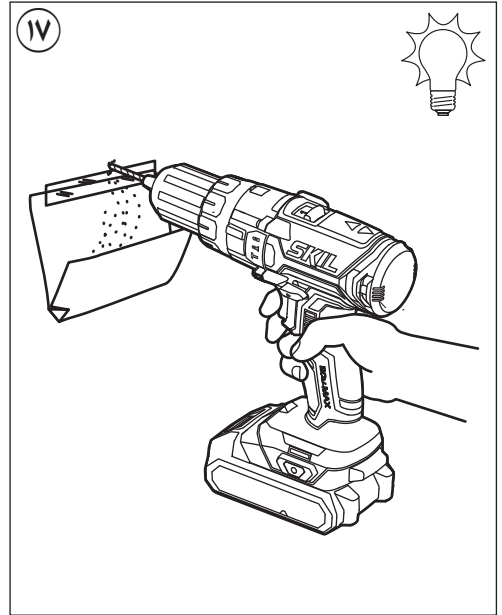
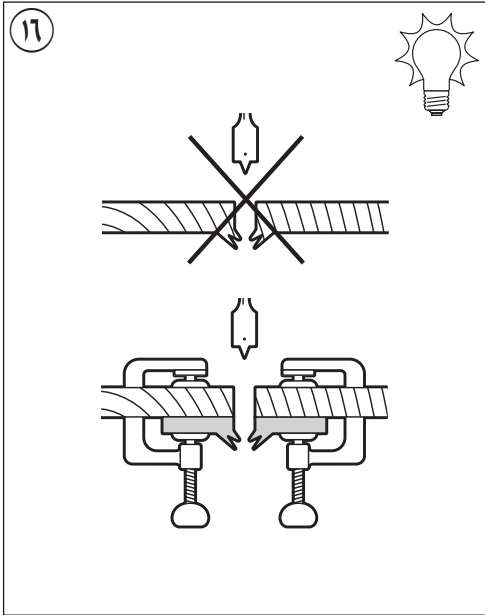
ح) حافظ على إبقاء عدد القطع نظيفة وحادة. إن عدد القطع ذات حواف القطع الحادة التي تم صيانتها بعناية تتكليس بشكل أقل وتكون توجيهها بشكل أيسر.

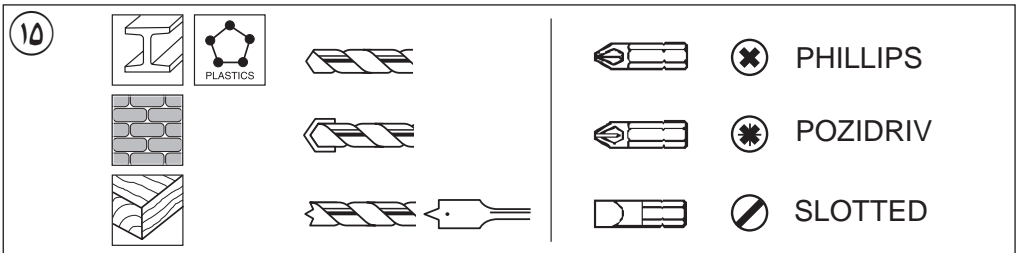
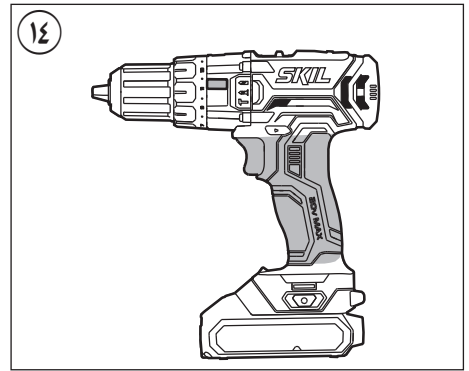
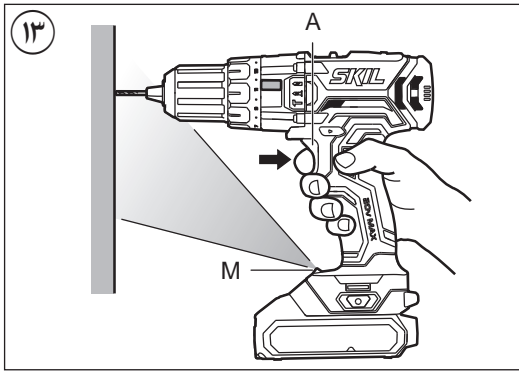
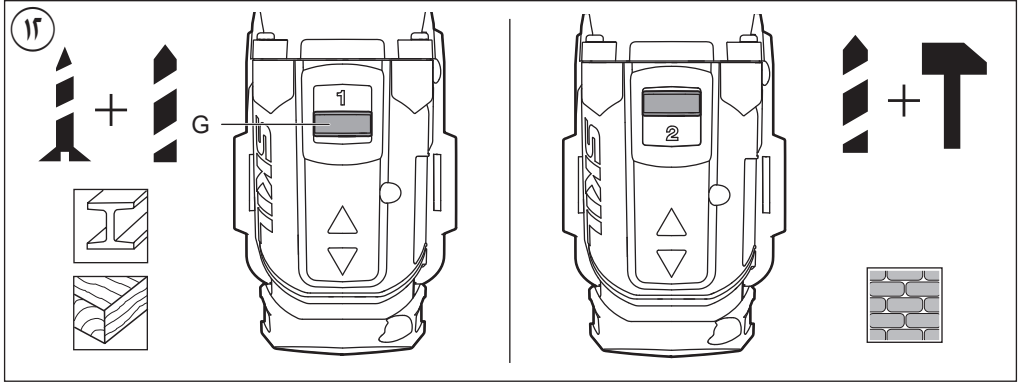
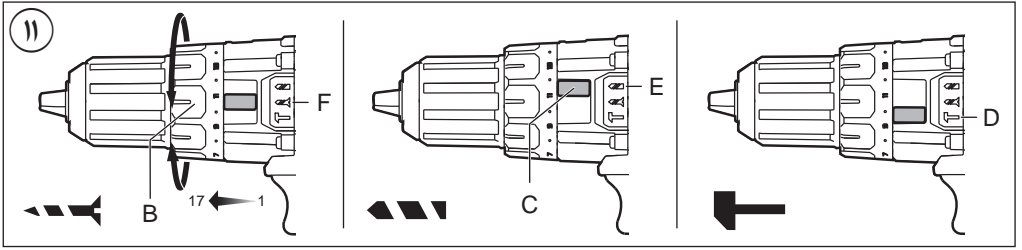
خ) استخدم العدد الكهربائية والتوابع وعدد الشغل والخ حسب هذه التعليمات. تراعى أثناء ذلك شروط الشغل والعمل المراد تنفيذة. استخدام العدد الكهربائية لغير الأشغال المخصصة لأجلها قد يؤدي إلى حدوث الحلات الخطيرة.

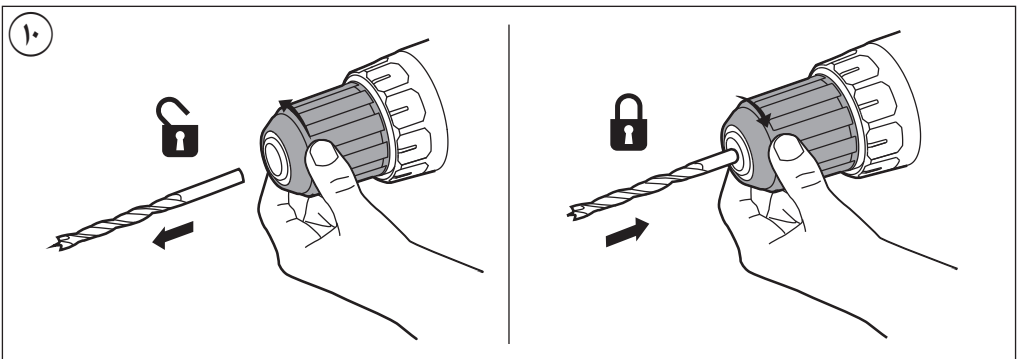
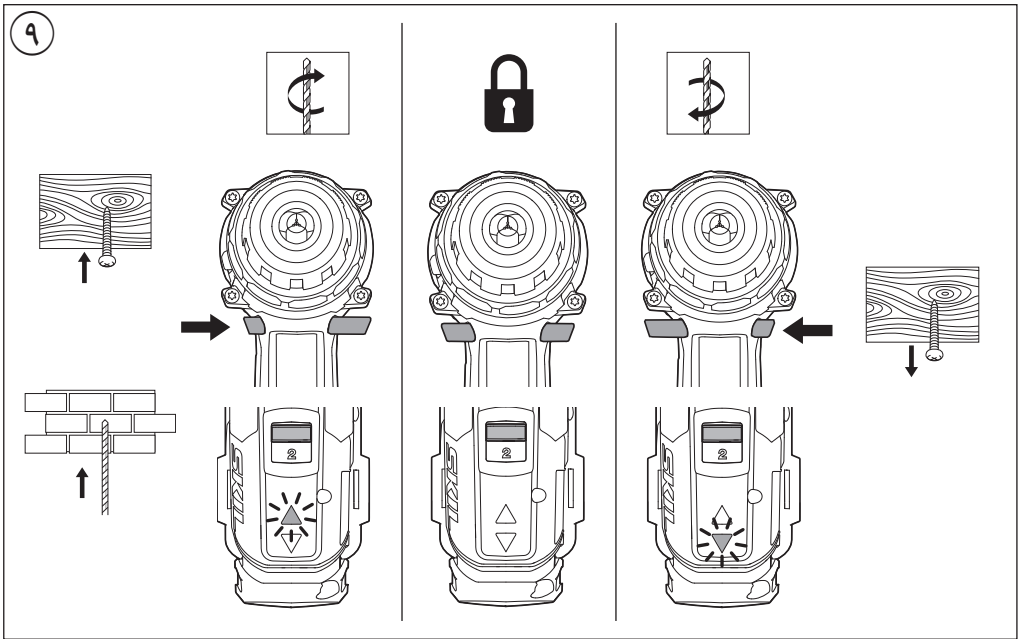
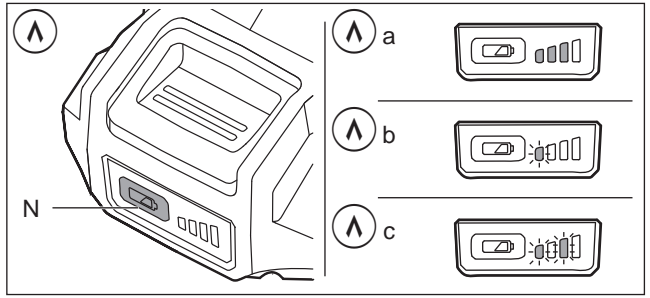
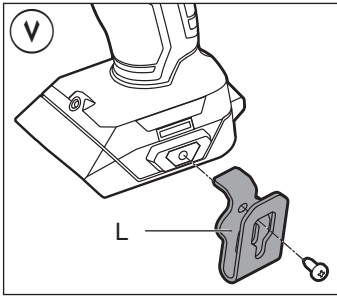
د) احرص على جفاف المقابض وأسطح الإمساك ونظافتها وخلوها من الزيت والشحوم. لا تسمح للمقابض وأسطح الإمساك الزلقة بالاستخدام والتحكم الأمان في الأداة في الحالات غير المتوقعة:

٥) حسن معاملة واستخدام العدد المزودة برمك
أ) اشحن المراكم فقط في أجهزة الشحن التي ينصح باستخدامها من طرف المنتج. يعم خطر نشوب الحرائق بأجهزة الشحن المخصصة لنوع معين من المراكم إن تم إستخدامها من نوع آخر من المراكم.

ب) استخدم بالعدد الكهربائية فقط المراكم المخصصة لذلك قد يؤدي استخدام المراكم الأخرى إلى الإصابات إلى خطر نشوب الحرائق.







1

3018/3020


20V Max
18
Volt

2,0 Ah
2,5 Ah

1,5 kg

4,0 Ah
5,0 Ah

1,8 kg


n₀
0-420/1450
/min


1-
13mm



0-6300/21750
p/min

Fe

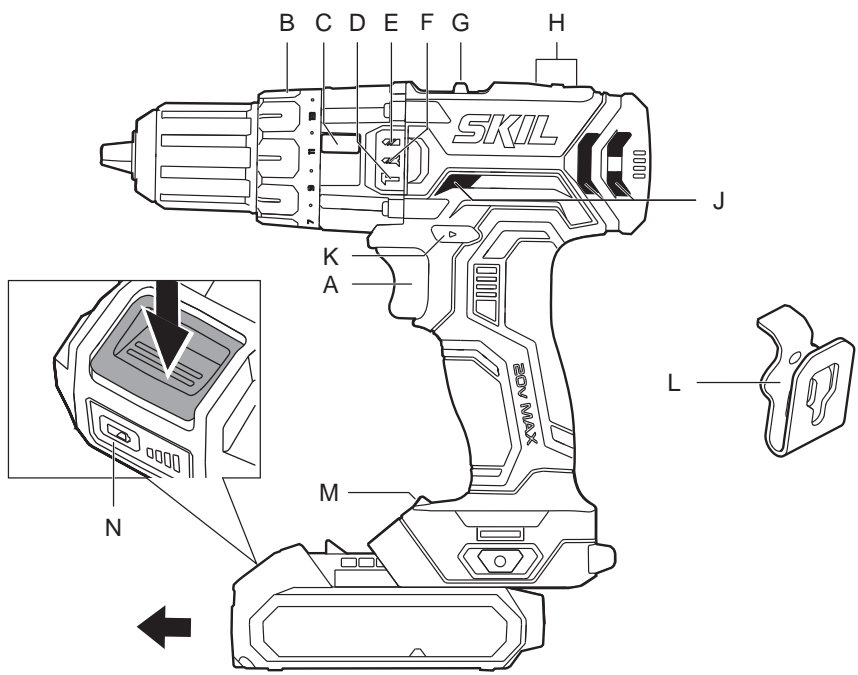
13mm


8 mm


40 mm


13 mm

2



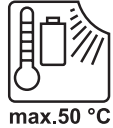
3



4



5



6



مثقاب/مفك صدمي بدون سلك

SKIL®

3018
3020



دليل الاستعمال

AR

راهنمای اصلي

FA

