

<b>GB</b>	ORIGINAL INSTRUCTIONS	11	<b>UA</b>	ОРИГІНАЛЬНА ІНСТРУКЦІЯ З ЕКСПЛУАТАЦІЇ	75
<b>F</b>	NOTICE ORIGINALE	14	<b>GR</b>	ΠΡΟΤΟΤΥΠΟ ΟΔΗΓΙΩΝ ΧΡΗΣΗΣ	79
<b>D</b>	ORIGINALBETRIEBSANLEITUNG	18	<b>RO</b>	INSTRUCȚIUNI DE FOLOSIRE ORIGINALE	84
<b>NL</b>	ORIGINELE GEBRUIKSAANWIJZING	23	<b>BG</b>	ОРИГИНАЛНО РЪКОВОДСТВО ЗА ЕКСПЛОАТАЦИЯ	88
<b>S</b>	BRUKSANVISNING I ORIGINAL	27	<b>SK</b>	PŮVODNÝ NÁVOD NA POUŽITIE	92
<b>DK</b>	ORIGINAL BRUGSANVISNING	30	<b>HR</b>	ORIGINALNE UPUTE ZA RAD	96
<b>N</b>	ORIGINAL BRUKSANVISNING	34	<b>SRB</b>	ORIGINALNO UPUTSTVO ZA RAD	100
<b>FIN</b>	ALKUPERÄISET OHJEET	38	<b>SLO</b>	IZVIRNA NAVODILA	104
<b>E</b>	MANUAL ORIGINAL	41	<b>EST</b>	ALGUPÄRANE KASUTUSJUHEND	108
<b>P</b>	MANUAL ORIGINAL	46	<b>LV</b>	ORIĢINĀLĀ LIETOŠANAS PAMĀCĪBA	111
<b>I</b>	ISTRUZIONI ORIGINALI	50	<b>LT</b>	ORIGINALI INSTRUKCIJA	116
<b>H</b>	EREDETI HASZNÁLATI UTASÍTÁS	54	<b>MK</b>	ИЗБОРНО УПАТСТВО ЗА РАБОТА	120
<b>CZ</b>	PŮVODNÍM NÁVODEM K POUŽÍVÁNÍ	58	<b>AL</b>	UDHËZIMET ORIGINALE	124
<b>TR</b>	ORİJİNAL İŞLETME TALİMATI	62	<b>AR</b>	دليل الاستعمال	136
<b>PL</b>	INSTRUKCJA ORYGINALNA	65	<b>FA</b>	راهنمای اصلی	134
<b>RU</b>	ПОДЛИННИК РУКОВОДСТВА ПО ЭКСПЛУАТАЦИИ	70			



# EAC



<b>GB</b>	<b>EU Declaration of conformity</b>		We declare under our sole responsibility that the stated products comply with all applicable provisions of the directives and regulations listed below and are in conformity with the following standards.
	<b>Router</b>	Article number	Technical file at:*
<b>F</b>	<b>Déclaration de conformité UE</b>		Nous déclarons sous notre propre responsabilité que les produits décrits sont en conformité avec les directives, règlements normatifs et normes énumérés ci-dessous. Dossier technique auprès de:*
	<b>Défonceuse</b>	Numéro d'article	
<b>D</b>	<b>EU-Konformitätserklärung</b>		Wir erklären in alleiniger Verantwortung, dass die genannten Produkte allen einschlägigen Bestimmungen der nachfolgend aufgeführten Richtlinien und Verordnungen entsprechen und mit folgenden Normen übereinstimmen. Technische Unterlagen bei:*
	<b>Oberfräse</b>	Sachnummer	
<b>NL</b>	<b>EU-conformiteitsverklaring</b>		Wij verklaren op eigen verantwoordelijkheid dat de genoemde producten voldoen aan alle desbetreffende bepalingen van de hierna genoemde richtlijnen en verordeningen en overeenstemmen met de volgende normen. Technisch dossier bij:*
	<b>Bovenrees</b>	Productnummer	
<b>S</b>	<b>EU-konformitetsförklaring</b>		Vi förklarar under eget ansvar att de nämnda produkterna uppfyller kraven i alla gällande bestämmelser i de nedan angivna direktiven och förordningarna och att de stämmer överens med följande normer. Teknisk dokumentation:*
	<b>Handöverfräs</b>	Produktnummer	
<b>DK</b>	<b>EU-overensstemmelseserklæring</b>		Vi erklærer som eneansvarlige, at det beskrevne produkt er i overensstemmelse med alle gældende bestemmelser i følgende direktiver og forordninger og opfylder følgende standarder. Tekniske bilag ved:*
	<b>Overfræser</b>	Typenummer	
<b>N</b>	<b>EU-samsvarserklæring</b>		Vi erklærer under eneansvar at de nevnte produktene er i overensstemmelse med alle relevante bestemmelser i direktivene og forordningene nedenfor og med følgende standarder. Teknisk dokumentasjon hos:*
	<b>Fres</b>	Produktnummer	
<b>FIN</b>	<b>EU-vaatimustenmukaisuusvakuutus</b>		Vakuutamme täten, että mainitut tuotteet vastaavat kaikkia seuraavien direktiivien ja asetusten asiaankuuluvia vaatimuksia ja ovat seuraavien standardien vaatimusten mukaisia. Tekniset asiakirjat saatavana:*
	<b>Yläjyrsin</b>	Tuotenumero	
<b>E</b>	<b>Declaración de conformidad UE</b>		Declaramos bajo nuestra exclusiva responsabilidad, que los productos nombrados cumplen con todas las disposiciones correspondientes de las directivas y los reglamentos mencionados a continuación y están en conformidad con las siguientes normas. Documentos técnicos de:*
	<b>Fresadora</b>	Número de artículo	
<b>P</b>	<b>Declaração de conformidade CE</b>		Declaramos sob nossa exclusiva responsabilidade que os produtos mencionados cumprem todas as disposições e os regulamentos indicados e estão em conformidade com as seguintes normas. Documentação técnica pertencente a:*
	<b>Tupia</b>	Número do produto	
<b>I</b>	<b>Dichiarazione di conformità UE</b>		Dichiariamo sotto la nostra piena responsabilità che i prodotti indicati sono conformi a tutte le disposizioni pertinenti delle direttive e dei regolamenti elencati di seguito, nonché alle seguenti normative. Documentazione tecnica presso:*
	<b>Fresatrice</b>	Codice prodotto	
<b>H</b>	<b>EU konformitási nyilatkozat</b>		Egyedüli felelősséggel kijelentjük, hogy a megnevezett termékek megfelelnek az alábbiakban felsorolásra kerülő irányelvek és rendeletek valamennyi idevágó előírásainak és megfelelnek a következő szabványoknak. Műszaki dokumentumok megőrzési pontja:*
	<b>Felsómaró</b>	Cikkszám	
<b>CZ</b>	<b>EU prohlášení o shodě</b>		Prohlašujeme na výhradní zodpovědnost, že uvedený výrobek splňuje všechna příslušná ustanovení níže uvedených směrnic a nařízení a je v souladu s následujícími normami. Technické podklady u:*
	<b>Horní frézka</b>	Objednací číslo	
<b>TR</b>	<b>AB Uygunluk beyanı</b>		Tek sorumlu olarak, tanınlan ürünün aşağıdaki yönetmelik ve direktiflerin geçerli bütün hükümlerine ve aşağıdaki standartlara uygun olduğunu beyan ederiz. Teknik belgelerin bulunduğu yer:*
	<b>Freze</b>	Ürün kodu	
<b>PL</b>	<b>Deklaracja zgodności UE</b>		Oświadczamy z pełną odpowiedzialnością, że niniejsze produkty odpowiadają wszystkim wymaganiom poniżej wyszczególnionych dyrektyw i rozporządzeń, oraz że są zgodne z następującymi normami. Dokumentacja techniczna:*
	<b>Frezarka</b>	Numer katalogowy	
<b>RU</b>	<b>Заявление о соответствии ЕС</b>		Мы заявляем под нашу единоличную ответственность, что названные продукты соответствуют всем действующим предписаниям нижеуказанных директив и распоряжений, а также нижеуказанным норм. Техническая документация хранится у:*
	<b>Фрезер</b>	Товарный номер	
<b>UA</b>	<b>Заява про відповідність ЄС</b>		Мизявляємо під нашу одноособову відповідальність, що названі вироби відповідають усім чинним положенням нищезначених директив і розпоряджень, а також нижчезначеним нормам. Технічна документація зберігається у:*
	<b>Фрезарна</b>	Товарний номер	

<b>GR</b>	<b>Δήλωση πιστότητας ΕΕ</b> <b>Ρουτερ</b> Αριθμός ευρετηρίου	Δηλώνουμε με αποκλειστική μας ευθύνη, ότι τα αναφερόμενα προϊόντα αντιστοιχούν σε όλες τις σχετικές διατάξεις των πιο κάτω αναφερόμενων οδηγιών και κανονισμών και ταυτίζονται με τα ακόλουθα πρότυπα. Τεχνικά έγγραφα στη:*
<b>RO</b>	<b>Declarație de conformitate UE</b> <b>Mașini de frezat</b> Număr de identificare	Declarăm pe proprie răspundere că produsele menționate corespund tuturor dispozițiilor relevante ale directivei și reglementărilor enumerate în cele ce urmează și sunt în conformitate cu următoarele standarde. Documentație tehnică la:*
<b>BG</b>	<b>ЕС декларация за съответствие</b> <b>Оберфреза</b> Каталоген номер	С пълна отговорност ние декларираме, че посочените продукти отговарят на всички валидни изисквания на директивите и разпоредбите по-долу и съответства на следните стандарти. Техническа документация при:*
<b>SK</b>	<b>EU vyhlásenie o zhode</b> <b>Horná fréza</b> Vecné číslo	Vyhlasujeme na výhradnú zodpovednosť, že uvedený výrobok spĺňa všetky príslušné ustanovenia nižšie uvedených smerníc a nariadení a je v súlade s nasledujúcimi normami. Technické podklady má spoločnosť:*
<b>HR</b>	<b>EU izjava o sukladnosti</b> <b>Glodalica</b> Kataloški broj	Pod punom odgovornošću izjavljujemo da navedeni proizvodi odgovaraju svim relevantnim odredbama direktiva i propisima navedenima u nastavku i da su sukladni sa sljedećim normama. Tehnička dokumentacija se može dobiti kod:*
<b>SRB</b>	<b>EU-izjava o usaglašenosti</b> <b>Glodalica</b> Broj predmeta	Na sopstvenu odgovornost izjavljujemo, da navedeni proizvodi odgovaraju svim dotičnim odredbama naknadno navedenih smernica u uredaba i da su u skladu sa sledećim standardima. Tehnička dokumentacija kod:*
<b>SLO</b>	<b>Izjava o skladnosti ES</b> <b>Stružnica</b> Številka artikla	Izjavljamo pod izključno odgovornostjo, da je omenjen izdelek v skladu z vsemi relevantnimi določili direktiv in uredb ter ustreza naslednjim standardom. Tehnična dokumentacija pri:*
<b>EST</b>	<b>EL-vastavusdeklaratsioon</b> <b>Ülafrees</b> Tootenumber	Kinnitame ainuvastutajatena, et nimetatud tooted vastavad järgnevalt loetletud direktiivide ja määruste kõiki dele asjaomastele nõuetele ja on kooskõlas järgmistega normidega. Tehnilised dokumendid saadaval:*
<b>LV</b>	<b>Deklarācija par atbilstību EK standartiem</b> <b>Virsrēze</b> Izstrādājuma numurs	Mēs ar pilnu atbildību paziņojam, ka šeit aplūkoti izstrādājumi atbilst visiem tālāk minētajās direktīvās un rīkojumos ietvertajām saistošajām nostādņēm, kā arī sekojošiem standartiem. Tehniskā dokumentācija no:*
<b>LT</b>	<b>ES atitikties deklaracija</b> <b>Vertikalojo frezavimo mašina</b> Gaminio numeris	Atsakingai pareiškiame, kad išvardyti gaminiai atitinka visus privalomus žemiau nurodytų direktyvų ir reglamentų reikalavimus ir šiuos standartus. Techninė dokumentacija saugoma:*
<b>MK</b>	<b>EU-Изјава за сообразност</b> <b>Насочувач</b> Број на артикл	Со целосна одговорност изјавуваме, дека опишаните производи се во согласност со сите релевантни одредби на следните регулативи и прописи и се во согласност со следните норми. Техничка документација кај:*
<b>AL</b>	<b>EU Deklarata e konformitetit</b> <b>Frezë shkallëzuese</b> Numri i nenit	Ne deklarojmë me përgjegjësinë tonë të vetme se produktet e paraqitura janë në përputhje me të gjitha dispozitat e zbatueshme të direktivave dhe rregulloreve të listuara më poshtë dhe janë në përputhje me standardet si më poshtë. Dosja teknike në:*
<b>1860</b> <b>VA1*1860**</b>		2006/42/EC 2014/30/EU 2011/65/EU
		EN 60745-1:2009 + A11:2010 EN 60745-2-17:2010
		EN 55014-1:2006 + A1:2009 + A2:2011 EN 55014-2:2015 EN 61000-3-2:2014 EN 61000-3-3:2013
		EN 50581:2012
		<b>SKIL®</b> * Skil BV Konijnenberg 62 4825 BD Breda The Netherlands
		Olaf Dijkgraaf Approval Manager
		
		Skil BV, Konijnenberg 62, 4825 BD Breda, NL 27.11.2018

1

1860

1400  
Watt

3,7 kg

55 mm

11.000-  
28.000  
/min

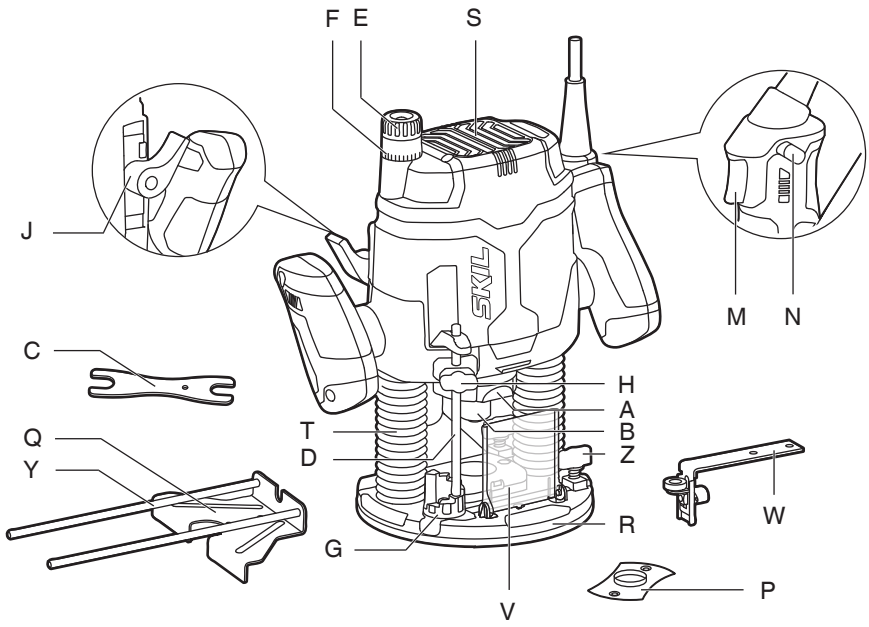
6 mm

6,35mm

8 mm

220  
240  
V~  
50-60 Hz

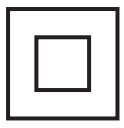
2



3



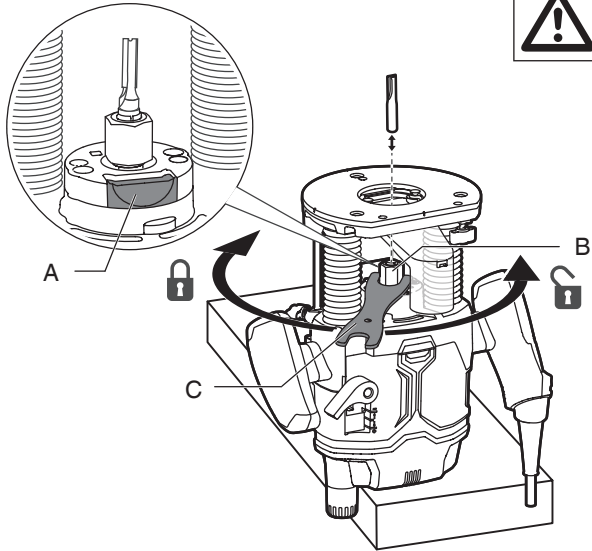
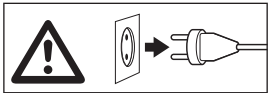
4



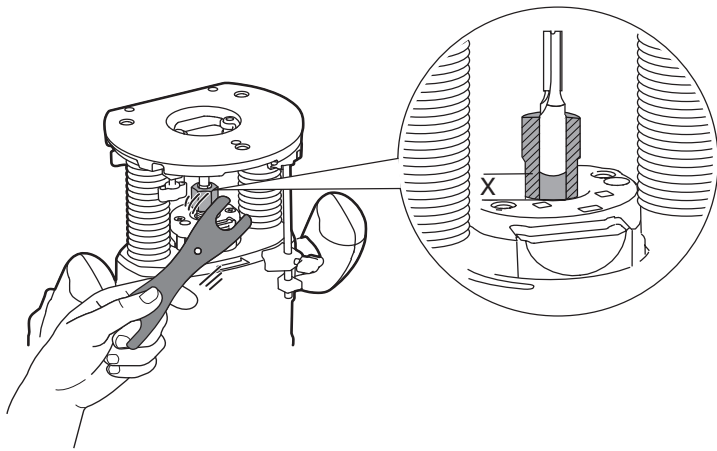
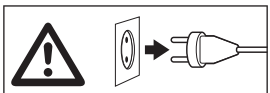
5

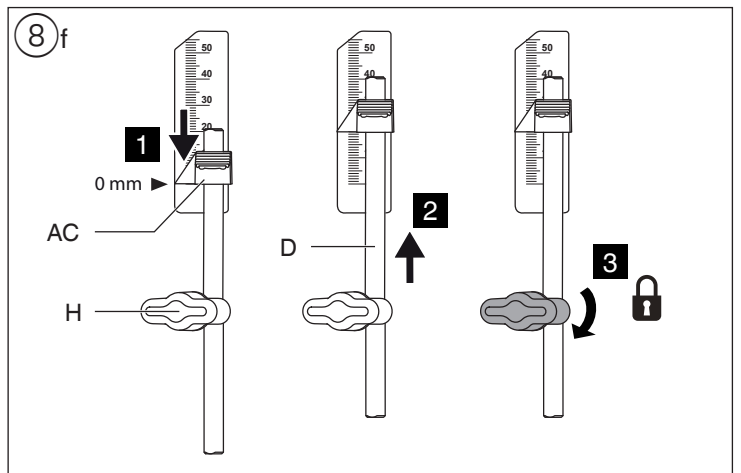
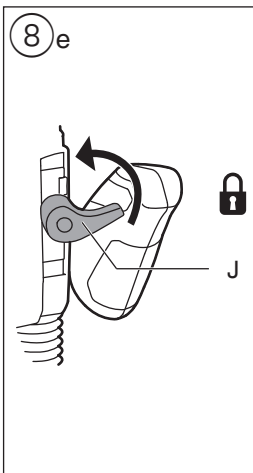
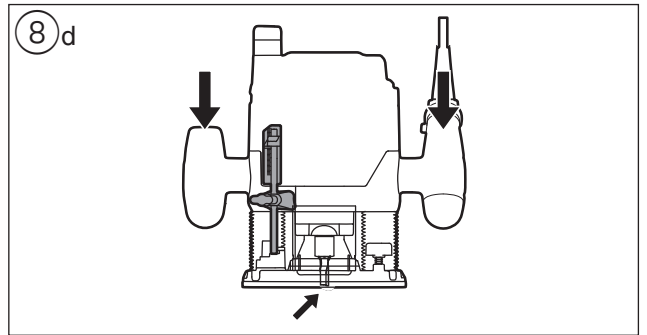
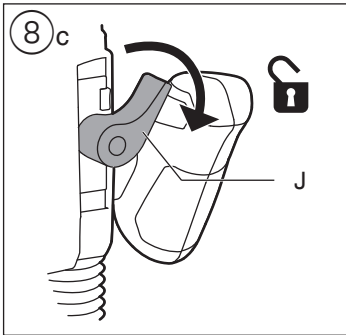
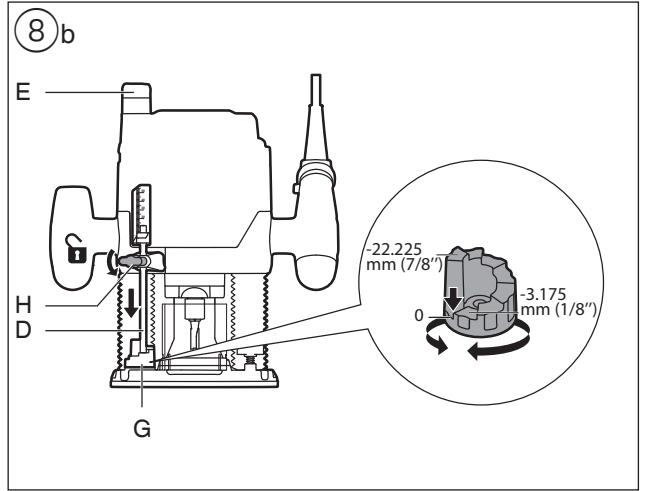
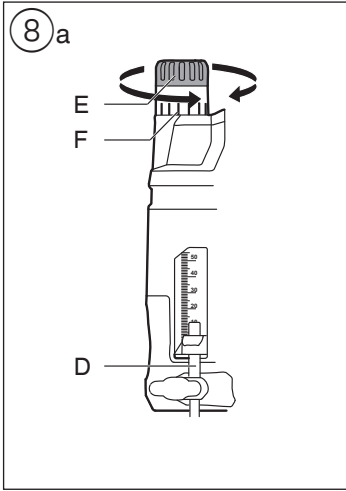


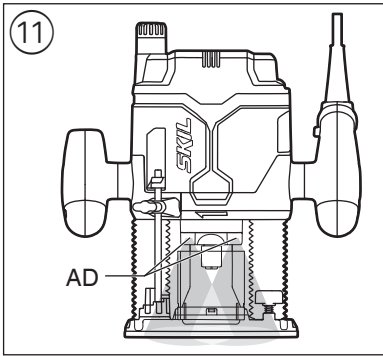
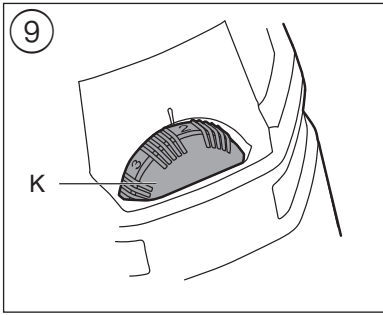
6



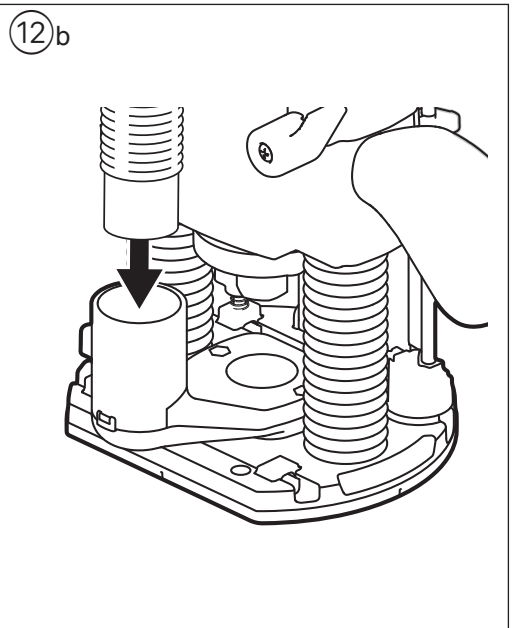
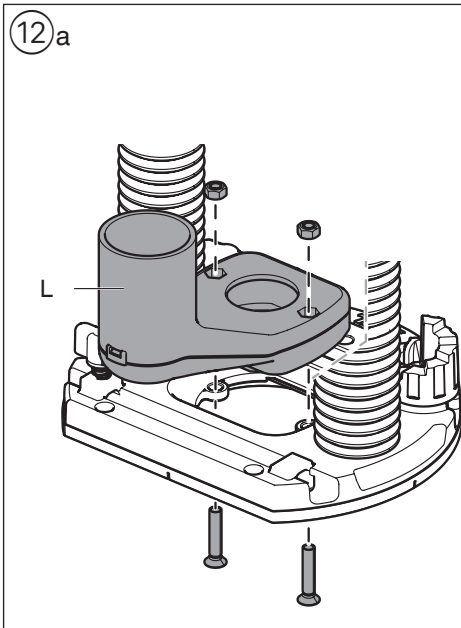
7

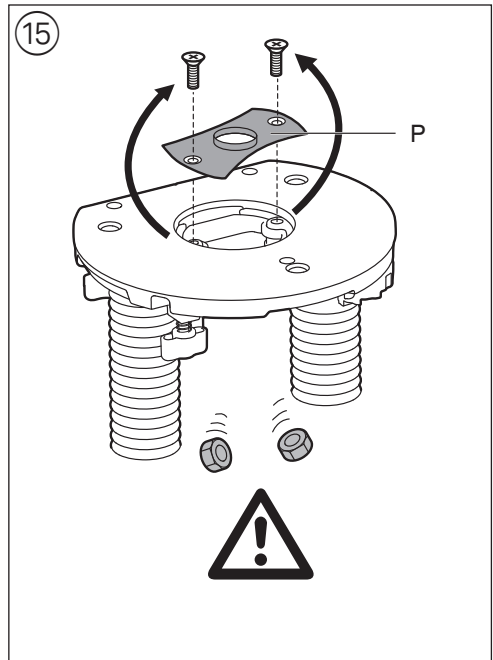
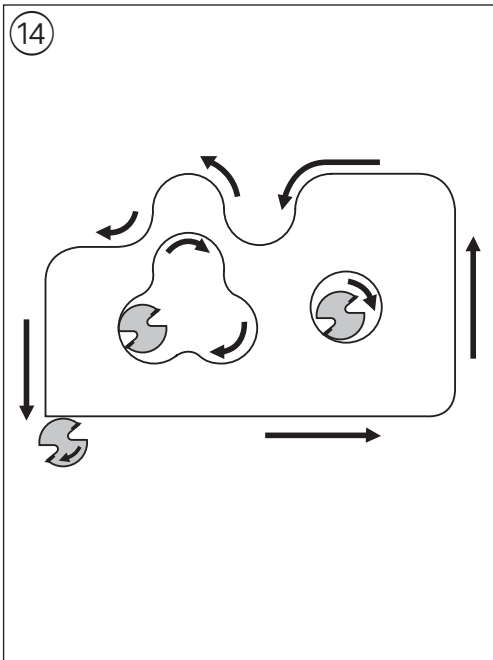
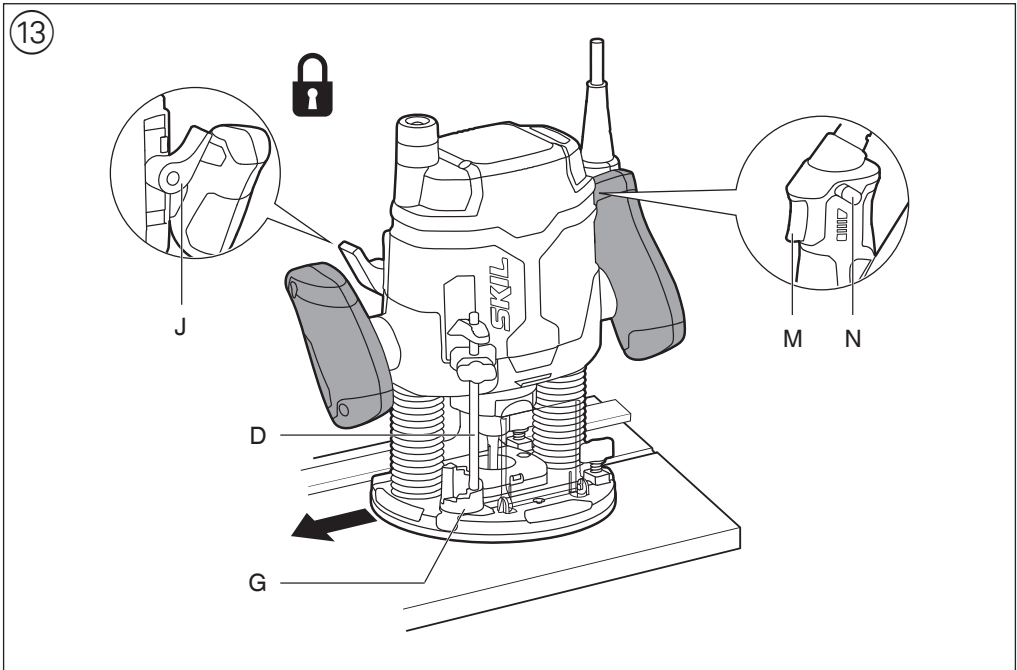






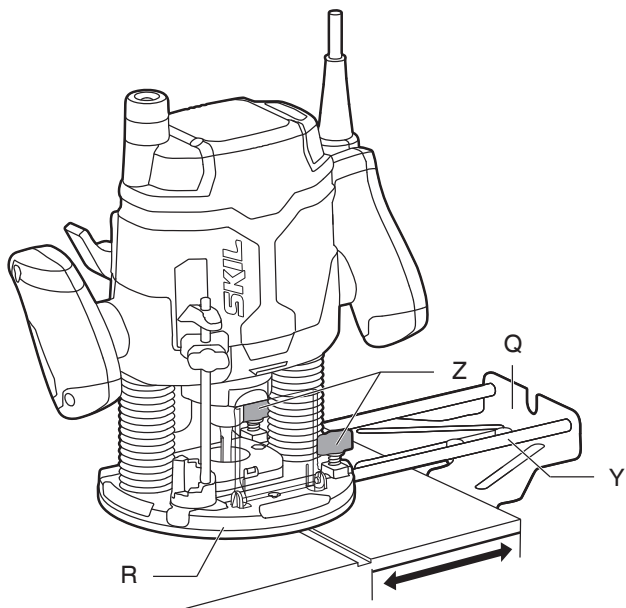
10		
	4 - 10 mm 12 - 20 mm 22 - 40 mm	5 - 6 3 - 4 1 - 2
	4 - 10 mm 12 - 20 mm 22 - 40 mm	5 - 6 3 - 6 1 - 3
	4 - 10 mm 12 - 20 mm 22 - 40 mm	3 - 6 2 - 4 1 - 3
	4 - 15 mm 16 - 40 mm	2 - 3 1 - 2



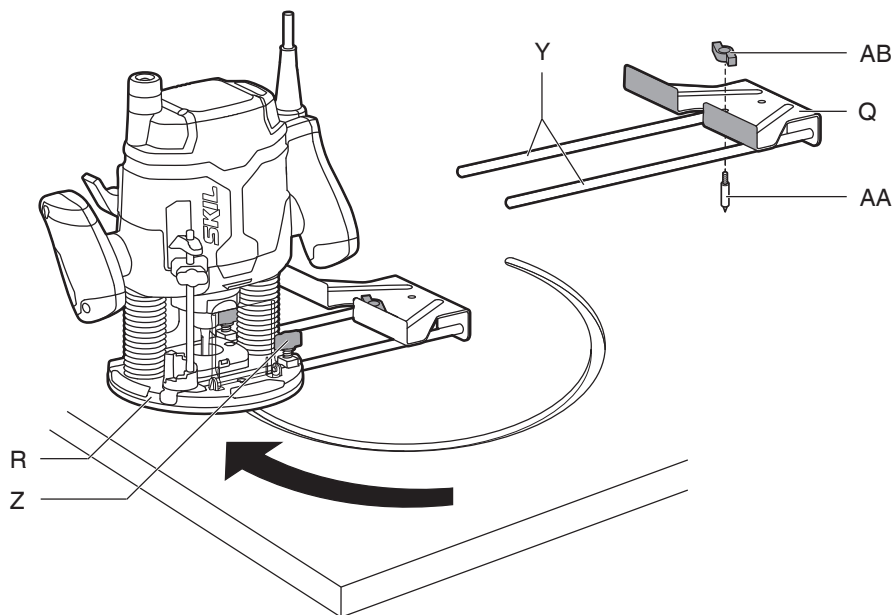




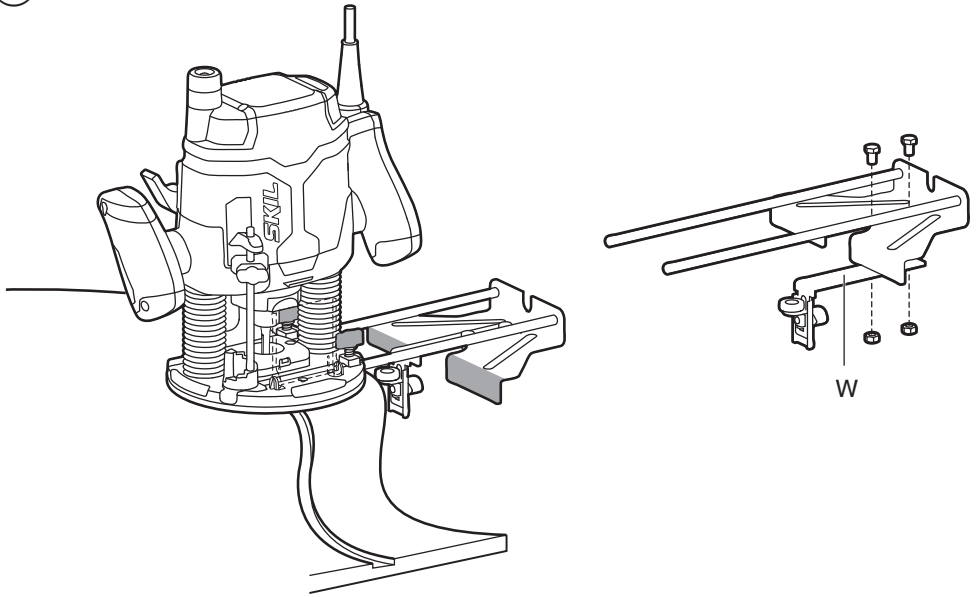
16



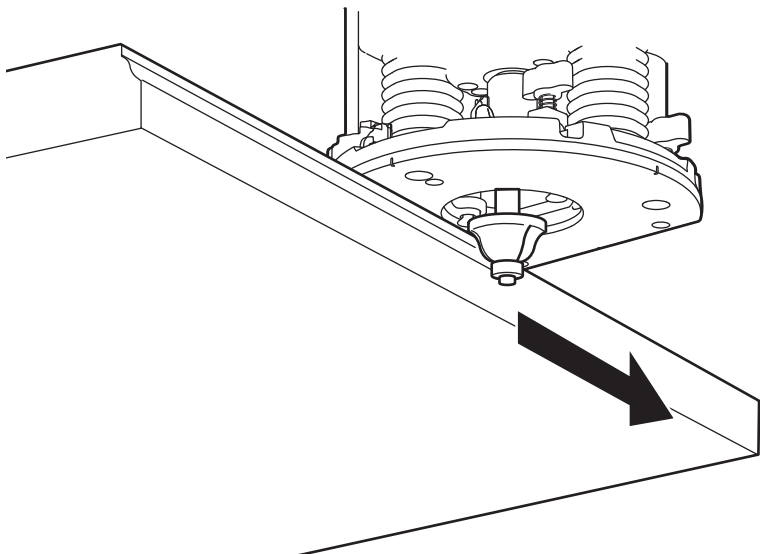
17



18



19



ACCESSORIES



WWW.SKIL.COM

## Router

1860

### INTRODUCTION

- The tool is intended to route grooves, edges, profiles and elongated holes in wood, plastic and light building materials as well as to copy-route
- This tool is not intended for professional use
- Read and save this instruction manual ③

### TECHNICAL DATA ①

### TOOL ELEMENTS ②

- A Shaft lock
- B Collet nut
- C Wrench
- D Depth gauge
- E Fine-adjustment knob
- F Fine-adjustment scale
- G Depth stop turret
- H Adjustment knob (depth gauge)
- J Locking lever
- K Speed selection wheel
- L Vacuum cleaner adapter
- M On/off trigger
- N Safety switch
- P Adapter plate
- Q Parallel guide
- R Base plate
- S Ventilation slots
- T Sliding bars
- V Protective cover
- W Curve buffer
- Y Parallel guide rods
- Z Knob for adjusting parallel guide
- AA Parallel guide pin
- AB Parallel guide nut
- AC Depth visor
- AD LED-light

### SAFETY

#### GENERAL POWER TOOL SAFETY WARNINGS

**⚠ WARNING** Read all safety warnings, instructions, illustrations and specifications provided with this power tool. Failure to follow all instructions listed below may result in electric shock, fire and/or serious injury.

Save all warnings and instructions for future reference.

The term "power tool" in the warnings refers to your mains-operated (corded) power tool or battery-operated (cordless) power tool.

#### 1) WORK AREA SAFETY

- a) **Keep work area clean and well lit.** Cluttered or dark areas invite accidents.
- b) **Do not operate power tools in explosive atmospheres, such as in the presence of flammable**

**liquids, gases or dust.** Power tools create sparks which may ignite the dust or fumes.

- c) **Keep children and bystanders away while operating a power tool.** Distractions can cause you to lose control.

#### 2) ELECTRICAL SAFETY

- a) **Power tool plugs must match the outlet. Never modify the plug in any way. Do not use any adapter plugs with earthed (grounded) power tools.** Unmodified plugs and matching outlets will reduce risk of electric shock.
- b) **Avoid body contact with earthed or grounded surfaces such as pipes, radiators, ranges and refrigerators.** There is an increased risk of electric shock if your body is earthed or grounded.
- c) **Do not expose power tools to rain or wet conditions.** Water entering a power tool will increase the risk of electric shock.
- d) **Do not abuse the cord. Never use the cord for carrying, pulling or unplugging the power tool. Keep cord away from heat, oil, sharp edges or moving parts.** Damaged or entangled cords increase the risk of electric shock.
- e) **When operating a power tool outdoors, use an extension cord suitable for outdoor use.** Use of a cord suitable for outdoor use reduces the risk of electric shock.
- f) **If operating a power tool in a damp location is unavoidable, use a residual current device (RCD) protected supply.** Use of an RCD reduces the risk of electric shock.

#### 3) PERSONAL SAFETY

- a) **Stay alert, watch what you are doing and use common sense when operating a power tool. Do not use a power tool while you are tired or under the influence of drugs, alcohol or medication.** A moment of inattention while operating power tools may result in serious personal injury.
- b) **Use personal protective equipment. Always wear eye protection.** Protective equipment such as a dust mask, non-skid safety shoes, hard hat, or hearing protection used for appropriate conditions will reduce personal injuries.
- c) **Prevent unintentional starting. Ensure the switch is in the off-position before connecting to power source and/or battery pack, picking up or carrying the tool.** Carrying power tools with your finger on the switch or energising power tools that have the switch on invites accidents.
- d) **Remove any adjusting key or wrench before turning the power tool on.** A wrench or a key left attached to a rotating part of the power tool may result in personal injury.
- e) **Do not overreach. Keep proper footing and balance at all times.** This enables better control of the power tool in unexpected situations.
- f) **Dress properly. Do not wear loose clothing or jewellery. Keep your hair and clothing away from moving parts.** Loose clothes, jewellery or long hair can be caught in moving parts.
- g) **If devices are provided for the connection of dust extraction and collection facilities, ensure these are connected and properly used.** Use of dust collection can reduce dust-related hazards.

- h) **Do not let familiarity gained from frequent use of tools allow you to become complacent and ignore tool safety principles.** A careless action can cause severe injury within a fraction of a second.
- 4) POWER TOOL USE AND CARE**
- a) **Do not force the power tool. Use the correct power tool for your application.** The correct power tool will do the job better and safer at the rate for which it was designed.
- b) **Do not use the power tool if the switch does not turn it on and off.** Any power tool that cannot be controlled with the switch is dangerous and must be repaired.
- c) **Disconnect the plug from the power source and/ or remove the battery pack, if detachable, from the power tool before making any adjustments, changing accessories, or storing power tools.** Such preventive safety measures reduce the risk of starting the power tool accidentally.
- d) **Store idle power tools out of the reach of children and do not allow persons unfamiliar with the power tool or these instructions to operate the power tool.** Power tools are dangerous in the hands of untrained users.
- e) **Maintain power tools and accessories. Check for misalignment or binding of moving parts, breakage of parts and any other condition that may affect the power tool's operation. If damaged, have the power tool repaired before use.** Many accidents are caused by poorly maintained power tools.
- f) **Keep cutting tools sharp and clean.** Properly maintained cutting tools with sharp cutting edges are less likely to bind and are easier to control.
- g) **Use the power tool, accessories and tool bits etc., in accordance with these instructions, taking into account the working conditions and the work to be performed.** Use of the power tool for operations different from those intended could result in a hazardous situation.
- h) **Keep handles and grasping surfaces dry, clean and free from oil and grease.** Slippery handles and grasping surfaces do not allow for safe handling and control of the tool in unexpected situations.
- 5) SERVICE**
- a) **Have your power tool serviced by a qualified repair person using only identical replacement parts.** This will ensure that the safety of the power tool is maintained.

## SAFETY INSTRUCTIONS FOR ROUTERS

- **Hold the power tool by insulated gripping surfaces, because the cutter may contact its own cord** (cutting a "live" wire may make exposed metal parts of the power tool "live" and could give the operator an electric shock)
- **Use clamps or another practical way to secure and support the workpiece to a stable platform** (holding the workpiece by hand or against your body leaves it unstable and may lead to loss of control)

### GENERAL

- This tool should not be used by people under the age of 16 years
- Always disconnect plug from power source before making any adjustment or changing any accessory

### ACCESSORIES

- SKIL can assure flawless functioning of the tool only

when original accessories are used

- Use only accessories with an allowable speed matching at least the highest no-load speed of the tool
- Do not use damaged or deformed router bits
- Only use sharp router bits
- Protect accessories from impact, shock and grease
- Only use high speed steel (HSS) or carbide-tipped (CT) router bits with this tool

### BEFORE USE

- Avoid damage that can be caused by screws, nails and other elements in your workpiece; remove them before you start working
- Always check that the supply voltage is the same as the voltage indicated on the nameplate of the tool
- **Do not work materials containing asbestos** (asbestos is considered carcinogenic)
- Do not clamp the tool in a vice
- Use completely unrolled and safe extension cords with a capacity of 16 Amps (U.K. 13 Amps)
- The noise level when working can exceed 85 dB(A); wear ear protection
- Dust from material such as paint containing lead, some wood species, minerals and metal may be harmful (contact with or inhalation of the dust may cause allergic reactions and/or respiratory diseases to the operator or bystanders); **wear a dust mask and work with a dust extraction device when connectable**
- Certain kinds of dust are classified as carcinogenic (such as oak and beech dust) especially in conjunction with additives for wood conditioning; **wear a dust mask and work with a dust extraction device when connectable**
- Follow the dust-related national requirements for the materials you want to work with
- Be sure tool is switched off when plugging in

### DURING USE

- Always keep the cord away from moving parts of the tool; direct the cord to the rear, away from the tool
- Never use the tool when base-plate R Ⓜ (=protective guard) is damaged; have it replaced by a qualified person
- Never use the tool when the cord is damaged; it must be replaced by a specially prepared cord available through the service organization.
- Keep hands and fingers away from router bit when tool is switched on
- Never exceed maximum cutting depth of router bit while cutting
- In case of electrical or mechanical malfunction, immediately switch off the tool and disconnect the plug
- In case the router bit is blocked, resulting in jerking forces on the tool, immediately switch off the tool
- In case of current interruption or when the plug is accidentally pulled out, immediately switch off the tool in order to prevent uncontrolled restarting
- Do not apply so much pressure on the tool that it comes to a standstill

### AFTER USE

- After finishing the work, loosen lever J Ⓜ, guide the tool back into the upper starting position, and switch off the tool

### EXPLANATION OF SYMBOLS ON TOOL

- ③ Read the instruction manual before use
- ④ Double insulation (no earth wire required)
- ⑤ Do not dispose of the tool together with household waste material

## WHEN CONNECTING NEW 3-PIN PLUG (U.K. ONLY):

- Do not connect the blue (= neutral) or brown (= live) wire in the cord of this tool to the earth terminal of the plug
- If for any reason the old plug is cut off the cord of this tool, it must be disposed of safely and not left unattended

## USE

- Mounting/removing router bits ⑥
  - ! **switch off the tool and disconnect the plug**
  - ! **ensure that router bit shaft is perfectly clean**
  - ! **ensure that collet size (6 mm, 6.35 mm, 8 mm) corresponds with shaft size of router bit**
  - turn tool upside down
  - lock shaft by pushing shaft lock A (rotate collet nut B, if necessary) and hold it while you

### FOR MOUNTING:

- loosen collet nut B with wrench C
- insert bit with a little space x in collet ⑦
- tighten collet nut firmly with wrench C
- release shaft lock A

### FOR REMOVING:

- loosen collet nut B with wrench C
- remove bit
- release shaft lock A

! **for loosening router bit it may be necessary to tap at the top of the router bit, using hammer and piece of wood to protect the bit**

! **never tighten collet nut, if there is no router bit in collet; collet may be damaged**

- Changing collets ⑦
  - ! **switch off the tool and disconnect the plug**
  - ! **ensure that collet shaft is perfectly clean**
  - loosen collet nut B 2 or 3 turns
  - tap collet nut B with wrench C
  - remove collet nut B and collet (lock shaft)
  - turn tool upside down
  - insert new collet in collet shaft
  - mount collet nut B (lock shaft)
  - ! **never tighten collet nut, if there is no router bit in collet; collet may be damaged**
- Adjusting routing depth ⑧
  - ! **switch off the tool and disconnect the plug**
  - set the fine-adjustment to its center position by turning knob E until the end, then turn back 4 full turns and set the scale F to 0 ⑧a
  - rotate turret G so that its lowest position clicks into place right under depth gauge D (for zeroing) ⑧b
  - loosen knob H so that depth gauge D drops onto depth stop turret G ⑧b
  - place tool on workpiece
  - loosen locking lever J ⑧c
  - push tool down until router bit is in contact with workpiece ⑧d
  - release and tighten locking lever J ⑧e
  - move depth visor AC to 0 mm ⑧f
  - raise depth gauge D as many mm as the desired routing depth, and tighten knob H ⑧f
  - loosen locking lever J and guide the tool back up again
  - use fine-adjustment knob E for setting the routing depth more precisely (0..±8 mm); the marks on the scale F correspond with 0.1 mm, 1 full turn corresponds with 2.0 mm

- with depth stop turret G the routing depth can be increased by steps respectively (recommended for deep cuts)

! **re-adjust the routing depth after having changed router bits**

- Speed control ⑨
  - For optimal routing results on different materials
    - select routing speed with wheel K (also while tool is running)
    - use table ⑩ as reference for determining the right routing speed
    - before starting a job, find the optimal speed by testing out on spare material
  - ! **after longer periods of working at low speed, allow the tool to cool down by running it for approximately 3 minutes at high speed with no load**
- LED-light AD ⑪
  - LED-light AD automatically lights on when activating trigger M
- Dust suction
  - mount vacuum cleaner adapter L as illustrated ⑫a
  - connect vacuum cleaner hose to vacuum cleaner adapter L ⑫b
- Operating the tool ⑬
  - ! **always hold the tool firmly with both hands**
  - ! **while working, always hold the tool at the grey-coloured grip area(s)**
  - place tool on workpiece
  - switch on tool by first pressing knob N (= safety switch which cannot be locked) and then pulling trigger M
  - ! **before the router bit reaches the workpiece, the tool should run at full speed**
  - loosen locking lever J and slowly push tool down until depth gauge D reaches depth stop turret G
  - tighten locking lever J
  - carry out the routing procedure with uniform feed rate
  - use the tool with its base-plate flat on the workpiece
  - as a general rule one should pull the tool, not push it
  - after finishing the work, loosen lever J and guide the tool back into the upper starting position
  - release the trigger M
- Proper guiding ⑭
  - keep in mind that router bit turns clockwise
  - guide tool so that bit turns into the workpiece, not away from it
- Mounting adapter plate P (for copying with a template) ⑮
- Mounting parallel guide Q ⑯
  - insert parallel guide rods Y through holes in base-plate R
  - slide parallel guide to desired width and fasten it with 2 knobs Z
- Using the parallel guide as a circular guide ⑰
  - ! **reverse parallel guide first**
  - fasten pin AA with nut AB as illustrated
  - insert rods Y into base-plate R
  - pierce pin AA into marked centre of circular arc
  - fasten parallel guide with 2 knobs Z
  - guide the tool with consistent feed across the workpiece
- Using the parallel guide with curve buffer W ⑱
  - mount curve buffer W (with guide roller mounted) as illustrated

- guide the tool along the workpiece edge with light sideward pressure

## APPLICATION ADVICE

- For cuts parallel with the side of your workpiece use parallel guide
- For making parallel cuts in a workpiece far from the edge <sup>13</sup>
  - fasten a straight piece of wood on the workpiece by means of 2 clamps
  - guide tool with base-plate along edge of wood which now functions as a parallel guide
- When using bits with a pilot or ball bearing, the pilot or ball bearing should slide along the edge of the workpiece which should be perfectly smooth <sup>19</sup>
- For larger routing depths, it is recommended to carry out several repetitive cuts with lower removal rates
- For more information see [www.skil.com](http://www.skil.com)

## MAINTENANCE / SERVICE

- This tool is not intended for professional use
- Always keep tool and cord clean (especially ventilation slots S <sup>2</sup>)
- Lubricate sliding bars T <sup>2</sup> occasionally
- If the tool should fail despite the care taken in manufacturing and testing procedures, repair should be carried out by an after-sales service centre for SKIL power tools
  - send the tool **undismantled** together with proof of purchase to your dealer or the nearest SKIL service station (addresses as well as the service diagram of the tool are listed on [www.skil.com](http://www.skil.com))
- Be aware that damage due to overload or improper handling of the tool will be excluded from the warranty (for the SKIL warranty conditions see [www.skil.com](http://www.skil.com) or ask your dealer)

## ENVIRONMENT

- **Do not dispose of electric tools, accessories and packaging together with household waste material** (only for EU countries)
  - in observance of European Directive 2012/19/EC on waste of electric and electronic equipment and its implementation in accordance with national law, electric tools that have reached the end of their life must be collected separately and returned to an environmentally compatible recycling facility
  - symbol <sup>5</sup> will remind you of this when the need for disposing occurs

## NOISE / VIBRATION

- Measured in accordance with EN 60745 the sound pressure level of this tool is 91.0 dB(A) and the sound power level 102.0 dB(A) (uncertainty K = 3 dB), and the vibration 4.5 m/s<sup>2</sup> (triax vector sum; uncertainty K = 1.5 m/s<sup>2</sup>)
- The vibration emission level has been measured in accordance with a standardised test given in EN 60745; it may be used to compare one tool with another and as a preliminary assessment of exposure to vibration when using the tool for the applications mentioned
  - using the tool for different applications, or with different or poorly maintained accessories, may significantly

**increase** the exposure level

- the times when the tool is switched off or when it is running but not actually doing the job, may significantly **reduce** the exposure level

**! protect yourself against the effects of vibration by maintaining the tool and its accessories, keeping your hands warm, and organizing your work patterns**

F

## Défonceuse

1860

## INTRODUCTION

- L'outil est conçu pour le fraisage des rainures, bords, profils et rainures droites dans le bois, les matières plastiques et matériaux de construction légers ainsi que pour le fraisage par copiage
- Cet outil n'est pas conçu pour un usage professionnel
- Lisez et conservez ce manuel d'instruction <sup>3</sup>

## CARACTERISTIQUES TECHNIQUES <sup>1</sup>

### ELEMENTS DE L'OUTIL <sup>2</sup>

- A Blocage de l'arbre
- B Chapeau
- C Clé
- D Jauge de profondeur
- E Bouton de réglage précis
- F Échelle de réglage précis
- G Tourelle de butées de profondeur
- H Bouton de réglage (jauge de profondeur)
- J Levier de verrouillage
- K Molette pour régler la vitesse
- L Adaptateur de l'aspirateur
- M Gâchette marche/arrêt
- N Interrupteur de sécurité
- P Plaque adaptatrice
- Q Guide parallèle
- R Plaque de base
- S Fentes de ventilation
- T Axes de guidage
- V Couvercle de protection
- W Tampon de courbe
- Y Tiges du guide parallèle
- Z Bouton de réglage du guide longitudinal
- AA Broche du guide parallèle
- AB Écrou du guide parallèle
- AC Guide de profondeur
- AD Voyant DEL

## SECURITE

### AVERTISSEMENTS DE SECURITE GENERAUX POUR L'OUTIL ELECTRIQUE

**⚠ AVERTISSEMENT Lisez tous les avertissements de sécurité, toutes les instructions, illustrations et caractéristiques fournies avec cet outil électrique.**

Le non-respect du suivi de toutes les instructions reprises ci-dessous peut provoquer un électrochoc, un incendie et/ou des blessures graves.

## Conservez tous les avertissements et toutes les instructions pour pouvoir s'y reporter ultérieurement.

Le terme "outil électrique" dans les avertissements se rapporte à des outils électriques raccordés au secteur (avec câble de raccordement) et à des outils électriques à batterie (sans câble de raccordement).

### 1) SECURITE DE LA ZONE DE TRAVAIL

- a) **Maintenez l'endroit de travail propre et bien éclairé.** Un lieu de travail en désordre ou mal éclairé augmente le risque d'accidents.
- b) **N'utilisez pas l'outil électrique dans un environnement présentant des risques d'explosion et où se trouvent des liquides, des gaz ou poussières inflammables.** Les outils électriques génèrent des étincelles risquant d'enflammer les poussières ou les vapeurs.
- c) **Tenez les enfants et autres personnes éloignés durant l'utilisation de l'outil électrique.** En cas d'inattention vous risquez de perdre le contrôle sur l'outil électrique.

### 2) SECURITE RELATIVE AU SYSTEME ELECTRIQUE

- a) **La fiche de secteur de l'outil électrique doit être appropriée à la prise de courant. Ne modifiez en aucun cas la fiche. N'utilisez pas de fiches d'adaptateur avec des outils électriques avec mise à la terre.** Les fiches non modifiées et les prises de courant appropriées réduisent le risque de choc électrique.
- b) **Évitez le contact physique avec des surfaces mises à la terre telles que tuyaux, radiateurs, fours et réfrigérateurs.** Il y a un risque élevé de choc électrique au cas où votre corps serait relié à la terre.
- c) **N'exposez pas l'outil électrique à la pluie ou à l'humidité.** La pénétration d'eau dans un outil électrique augmente le risque d'un choc électrique.
- d) **N'utilisez pas le câble à d'autres fins que celles prévues, n'utilisez pas le câble pour porter l'outil électrique ou pour l'accrocher ou encore pour le débrancher de la prise de courant. Maintenez le câble éloigné des sources de chaleur, des parties grasses, des bords tranchants ou des parties de l'outil électrique en rotation.** Un câble endommagé ou torsadé augmente le risque d'un choc électrique.
- e) **Au cas où vous utiliseriez l'outil électrique à l'extérieur, utilisez une rallonge autorisée homologuée pour les applications extérieures.** L'utilisation d'une rallonge électrique homologuée pour les applications extérieures réduit le risque d'un choc électrique.
- f) **Si l'usage d'un outil dans un emplacement humide est inévitable, utilisez un disjoncteur de fuite à la terre.** L'utilisation d'un disjoncteur de fuite à la terre réduit le risque de choc électrique.

### 3) SECURITE DES PERSONNES

- a) **Restez vigilant, surveillez ce que vous faites. Faites preuve de bon sens en utilisant l'outil électrique. N'utilisez pas l'outil électrique lorsque vous êtes fatigué ou après avoir consommé de l'alcool, des drogues ou avoir pris des médicaments.** Un moment d'inattention lors de l'utilisation de l'outil électrique peut entraîner de graves blessures sur les personnes.

- b) **Portez des équipements de protection. Portez toujours des lunettes de protection.** Le fait de porter des équipements de protection personnels tels que masque anti-poussières, chaussures de sécurité antidérapantes, casque de protection ou protection acoustique suivant le travail à effectuer, réduit le risque de blessures.
  - c) **Évitez tout démarrage intempestif. S'assurez que l'interrupteur est en position arrêt avant de brancher l'outil au secteur et/ou au bloc de batteries, de le ramasser ou de le porter.** Porter les outils en ayant le doigt sur l'interrupteur ou brancher des outils dont l'interrupteur est en position marche est source d'accidents.
  - d) **Enlevez tout outil de réglage ou toute clé avant de mettre l'outil électrique en fonctionnement.** Une clé ou un outil se trouvant sur une partie en rotation peut causer des blessures.
  - e) **Ne surestimez pas vos capacités. Veillez à garder toujours une position stable et équilibrée.** Ceci vous permet de mieux contrôler l'outil électrique dans des situations inattendues.
  - f) **Portez des vêtements appropriés. Ne portez pas de vêtements amples ni de bijoux. Gardez les cheveux et les vêtements à distance des parties en mouvement.** Des vêtements amples, des bijoux ou des cheveux longs peuvent être happés par des pièces en mouvement.
  - g) **Si des dispositifs servant à aspirer ou à recueillir les poussières doivent être utilisés, vérifiez que ceux-ci soient effectivement raccordés et qu'ils sont correctement utilisés.** L'utilisation des collecteurs de poussière réduit les dangers dus aux poussières.
  - h) **Restez vigilant et ne pas négligez les principes de sécurité de l'outil sous prétexte que vous avez l'habitude de l'utiliser.** Une fraction de seconde d'inattention peut provoquer une blessure grave.
- ### 4) UTILISATION ET EMPLOI SOIGNEUX DE L'OUTIL ELECTRIQUE
- a) **Ne surchargez pas l'outil électrique. Utilisez l'outil électrique approprié au travail à effectuer.** Avec l'outil électrique approprié, vous travaillerez mieux et avec plus de sécurité à la vitesse pour laquelle il est prévu.
  - b) **N'utilisez pas un outil électrique dont l'interrupteur est défectueux.** Un outil électrique qui ne peut plus être mis en ou hors fonctionnement est dangereux et doit être réparé.
  - c) **Débranchez la fiche de la source d'alimentation et/ou enlevez le bloc de batteries, s'il est amovible, avant tout réglage, changement d'accessoires ou avant de ranger l'outil électrique.** De telles mesures de sécurité préventives réduisent le risque de démarrage accidentel de l'outil électrique.
  - d) **Gardez les outils électriques non utilisés hors de portée des enfants. Ne permettez pas l'utilisation de l'outil électrique à des personnes qui ne se sont pas familiarisées avec celui-ci ou qui n'ont pas lu ces instructions.** Les outils électriques sont dangereux lorsqu'ils sont utilisés par des personnes non initiées.
  - e) **Observez la maintenance des outils électriques et des accessoires. Vérifiez que les parties en mouvement fonctionnent correctement et qu'elles ne soient pas coincées, et contrôlez si des parties**

sont cassées ou endommagées de telle sorte que le bon fonctionnement de l'outil électrique s'en trouve entravé. Faites réparer les parties endommagées avant d'utiliser l'outil électrique. De nombreux accidents sont dus à des outils électriques mal entretenus.

- f) **Maintenez les outils de coupe aiguisés et propres.** Des outils soigneusement entretenus avec des bords tranchants bien aiguisés se coincent moins souvent et peuvent être guidés plus facilement.
  - g) **Utilisez l'outil électrique, les accessoires, les outils à monter etc. conformément à ces instructions. Tenez compte également des conditions de travail et du travail à effectuer.** L'utilisation de l'outil électrique à d'autres fins que celles prévues peut entraîner des situations dangereuses.
  - h) **Il faut que les poignées et les surfaces de préhension restent sèches, propres et dépourvues d'huiles et de graisses.** Des poignées et des surfaces de préhension glissantes rendent impossibles la manipulation et le contrôle en toute sécurité de l'outil dans les situations inattendues.
- 5) **SERVICE**
- a) **Ne faites réparer votre outil électrique que par un personnel qualifié et seulement avec des pièces de rechange d'origine.** Ceci permet d'assurer la sécurité de l'outil électrique.

## INSTRUCTIONS DE SECURITE POUR DEFONCEUSES

- **Tenez l'outil électroportatif par ses poignées isolées, car le dispositif de coupe peut entrer en contact avec son propre câble** (couper un fil sous tension peut mettre sous tension des parties métalliques exposées et cela pourrait provoquer électrocuter l'utilisateur)
- **Utilisez des pinces ou tout autre système pratique pour fixer et soutenir la pièce à travailler sur une surface stable** (si vous la tenez dans la main ou contre le corps, elle peut devenir instable et risquer de vous échapper)

## GENERALITES

- Cet outil ne doit pas être utilisé par des personnes de moins de 16 ans
- Débranchez toujours l'outil avant tout réglage ou changement d'accessoire

## ACCESSOIRES

- SKIL ne peut se porter garant du bon fonctionnement de cet outil que s'il a été utilisé avec les accessoires d'origine
- La vitesse admissible des accessoires utilisées doit être au moins aussi élevée que la vitesse à vide maximale de l'outil
- Ne jamais utilisez des fraises endommagées ou déformées
- N'utilisez que des fraises bien affûtées
- Protégez les accessoires contre les impacts, les chocs et la graisse
- N'utilisez que des fraises en acier rapide (HSS) ou au carbure avec cet outil

## AVANT L'USAGE

- Faites attention aux vis, clous ou autres éléments qui pourraient se trouver dans la pièce à travailler et qui risqueraient d'endommager très fortement votre outil; enlevez-les avant de commencer le travail

- Contrôlez toujours si la tension secteur correspond à la tension indiquée sur la plaquette signalétique de l'outil
- **Ne travaillez pas de matériaux contenant de l'amiante** (l'amiante est considérée comme étant cancérigène)
- Ne pas serrez l'outil dans un état
- Utilisez un câble de prolongement complètement déroulé et de bonne qualité d'une capacité de 16 A
- Le niveau sonore en fonctionnement peut dépasser 85 dB(A); munissez-vous de casques anti-bruit
- La poussière de matériaux, tels que la peinture contenant du plomb, certaines espèces de bois, certains minéraux et différents métaux, peut être nocive (le contact avec la poussière ou son inhalation peut provoquer des réactions allergiques et/ou des maladies respiratoires chez l'opérateur ou des personnes se trouvant à proximité); **portez un masque antipoussières et travaillez avec un appareil de dé poussiérage lorsqu'il est possible d'en connecter un**
- Certains types de poussières sont classifiés comme étant cancérigènes (tels que la poussière de chêne ou de hêtre), en particulier en combinaison avec des additifs de traitement du bois; **portez un masque antipoussières et travaillez avec un appareil de dé poussiérage lorsqu'il est possible d'en connecter un**
- Suivez les directives nationales relatives au dé poussiérage pour les matériaux à travailler
- S'assurez que l'outil est hors service en le branchant

## PENDANT L'USAGE

- Tenez toujours le câble éloigné des parties mobiles de l'outil; orientez le câble vers l'arrière le plus loin possible de l'outil
- Ne jamais utilisez l'outil avec la plaque-base R ② (= dispositif de protection) endommagée; faites-les remplacer par un technicien qualifié
- N'utilisez jamais l'outil si le cordon d'alimentation est endommagé, il doit être remplacé par un cordon spécialement préparé disponible par le biais du service d'assistance.
- Évitez de laisser vos doigts près de la fraise quand l'outil est en marche
- Ne jamais dépassez la profondeur de coupe maximale de la fraise en coupant
- En cas de dysfonctionnement électrique ou mécanique, mettez directement l'outil hors service et débranchez la fiche
- Au cas où la fraise est bloquée, ayant pour conséquence des saccades, mettez directement l'outil hors service
- En cas d'interruption de courant ou de débranchement accidentel de la fiche, éteignez l'outil immédiatement pour l'empêcher de redémarrer de façon inopinée
- Ne pas exercez une pression excessive sur l'outil, de sorte qu'il s'arrête

## APRES L'USAGE

- Une fois le travail terminé, desserrez le levier J ②, remettez l'outil dans sa position initiale supérieure, puis arrêtez l'outil

## EXPLICATION DES SYMBOLES SUR L'OUTIL

- ③ Veuillez lire le mode d'emploi avant d'utiliser l'outil
- ④ Double-isolation (ne nécessite pas de mise à la terre)
- ⑤ Ne jetez pas l'outil dans les ordures ménagères

## UTILISATION

- Montage/démontage des fraises ⑥  
**! arrêtez l'outil et débranchez la prise**



**! assurez-vous que l'arbre de la fraise soit parfaitement propre**

**! assurez-vous que la dimension de la douille (6 mm, 6,35 mm, 8 mm) corresponde à la taille de l'arbre de la fraise**

- tournez l'outil à l'envers
- bloquez l'arbre en poussant sur le blocage de l'arbre A (tournez l'écrou de la douille B, si nécessaire) et le maintenez tandis que vous

**POUR MONTER:**

- desserrez l'écrou de la douille B avec la clé C
- insérez l'embout avec un espace x dans la douille ⑦
- serrez l'écrou de la douille fermement avec la clé C
- relâchez le blocage de l'arbre A

**POUR DEMONTER:**

- desserrez l'écrou de la douille B avec la clé C
- retirez la fraise
- relâchez le blocage de l'arbre A

**! pour desserrer l'arbre de la fraise, il peut être nécessaire de taper sur le dessus de l'arbre de la fraise, en utilisant un marteau et un morceau de bois pour protéger la fraise**

**! ne jamais serrez l'écrou, s'il n'y a pas de fraise dans la douille; celle-ci pourrait être endommagée**

- Changement de pinces ⑦

**! arrêtez l'outil et débranchez la prise**

**! assurez-vous que l'arbre de la douille soit parfaitement propre**

- desserrez l'écrou de la douille B de 2 ou 3 tours
- tapez légèrement sur l'écrou de la douille B à l'aide de la clé C

- retirez l'écrou de la douille B et la douille (bloquez l'arbre)

- tournez l'outil à l'envers

- insérez une nouvelle douille dans l'arbre de la douille
- montez l'écrou de la douille B (bloquez l'arbre)

**! ne jamais serrez l'écrou, s'il n'y a pas de fraise dans la douille; celle-ci pourrait être endommagée**

- Réglage de la profondeur de fraisage ⑧

**! arrêtez l'outil et débranchez la prise**

- Réglez le réglage précis sur sa position centrale en tournant le bouton E jusqu'à la fin, ensuite faites 4 tours complets dans le sens inverse et réglez l'échelle F sur 0 ⑧a

- faites tourner la tourelle G jusqu'à ce que sa position la plus basse s'engage juste en-dessous de la jauge de profondeur D (mise à zéro) ⑧b

- desserrez le bouton H jusqu'à ce que la jauge de profondeur D tombe sous la tourelle de butées de profondeur G ⑧b

- positionnez l'outil sur la pièce à travailler

- desserrez le levier de verrouillage J ⑧c

- poussez l'outil vers le bas jusqu'à ce que la fraise soit en contact avec la pièce à travailler ⑧d

- relâchez et serrez le levier de verrouillage J ⑧e

- déplacez le guide de profondeur AC à 0 mm ⑧f

- haussez la jauge de profondeur D d'autant de mm que nécessaire pour atteindre la profondeur de fraisage désirée et serrez le bouton H ⑧f

- desserrez le levier de verrouillage J et guidez à nouveau l'outil vers le haut

- utilisez le bouton de réglage précis E pour régler plus précisément la profondeur de fraisage (0..±8 mm) ; les

marques sur l'échelle F correspondent à 0,1 mm, 1 tour complet correspond à 2,0 mm

- avec la tourelle de butées de profondeur G, l'on peut augmenter la profondeur de fraisage par étapes respectivement (recommandé pour les coupes profondes)

**! réajustez la profondeur de fraisage après avoir changé des fraises**

- Contrôle de la vitesse ⑨

Pour optimiser les résultats sur différents matériaux

- sélectionnez la vitesse de fraisage à l'aide de la molette K (aussi avec l'outil étant en marche)

- utilisez le tableau ⑩ comme référence pour déterminer la bonne vitesse de fraisage

- avant de commencer un travail, trouvez la vitesse optimale en faisant un essai sur un morceau de matériau

**! après de longues périodes de travail à basse vitesse, laissez l'outil refroidir en le faisant marcher à haute vitesse pendant environ 3 minutes, sans charge**

- Voyant DEL AD ⑪

- Le voyant DEL AD s'allume automatiquement quand la gâchette est activée M

- Aspiration de poussières

- montez l'adaptateur de l'aspirateur L comme illustré ⑫a

- connectez le tuyau de l'aspirateur à l'adaptateur de l'aspirateur L ⑫b

- Utilisation de l'outil ⑬

**! toujours tenez fermement l'outil à l'aide des deux mains**

**! lorsque vous travaillez, tenez toujours l'outil par la(les) zone(s) de couleur grise**

- positionnez l'outil sur la pièce à travailler

- mettez en marche l'outil en appuyant d'abord sur le bouton N (= interrupteur de sécurité qu'on ne peut pas bloquer) et puis en poussant la gâchette M

**! avant que la fraise atteigne la pièce à travailler, l'outil doit tourner à la vitesse maximum**

- desserrez le levier de verrouillage J et poussez lentement l'outil vers le bas jusqu'à ce que la jauge de profondeur D atteigne la tourelle de butées de profondeur G

- serrez le levier de verrouillage J

- effectuez le travail de fraisage en appliquant une vitesse d'avance régulière

- l'outil doit toujours être placé à plat sur la pièce à travailler

- en règle générale, vous devez tirer l'outil vers vous et non pas le pousser

- une fois le travail terminé, desserrez le levier J et remettez l'outil dans sa position initiale supérieure
- relâchez la gâchette M

- Selon les coupes à exécuter, procédez de la façon suivante ⑭

- rappelez-vous que la fraise tourne dans le sens des aiguilles d'une montre

- la fraise doit toujours tourner dans la pièce à travailler, ne pas s'éloigner de cela

- Montage du plat adaptateur P (pour reproduire avec un gabarit) ⑮

- Montage du guide parallèle Q <sup>16</sup>
  - insérez les tiges Y du guide parallèle dans les passants de la plaque-base R
  - faites glisser le guide parallèle pour obtenir la largeur désirée et fixez-le à l'aide des 2 molettes Z
- Utilisation du guide parallèle comme guide circulaire <sup>17</sup>
  - ! **commencez par faire reculer le guide parallèle**
  - serrez la broche AA avec l'écrou AB comme dans l'illustration
  - insérez les tiges Y dans la plaque-base R
  - enfoncez la broche AA dans le centre indiqué de l'arc circulaire
  - fixez le guide parallèle à l'aide des 2 molettes Z
  - guidez l'outil en le déplaçant à vitesse constante sur la pièce de travail
- Utilisation du guide parallèle avec le tampon de courbe W <sup>18</sup>
  - montez le tampon de courbe W (avec le rouleau de guidage monté) de la façon indiquée
  - guidez l'outil en le déplaçant le long du bord de la pièce de travail, en appuyant légèrement sur le côté

## CONSEILS D'UTILISATION

- Pour des coupes parallèles au côté de la pièce à travailler, utilisez le guide pour coupes parallèles
- Pour réaliser des coupes parallèles loin du côté de la pièce à travailler <sup>13</sup>
  - attachez un morceau de bois rectiligne sur la pièce à travailler au moyen de 2 serre-joints
  - guidez l'outil avec la plaque-base le long du côté du bois, qui maintenant fonctionne comme un guide pour coupes parallèles
- Lorsque vous utilisez des fraises à tourillon ou roulement à billes, faites glisser le tourillon ou roulement à billes le long de la pièce à travailler, dont la surface doit être parfaitement lisse <sup>19</sup>
- Pour des profondeurs de fraisage plus importantes, il est recommandé d'effectuer plusieurs passes successives avec un léger enlèvement de matière
- Pour plus d'informations, voir [www.skil.com](http://www.skil.com)

## ENTRETIEN / SERVICE APRES-VENTE

- Cet outil n'est pas conçu pour un usage professionnel
- Gardez toujours votre outil et le câble propres (spécialement les aérations S <sup>2</sup>)
- Lubrifiez de temps en temps les axes de guidage T <sup>2</sup>
- Si, malgré tous les soins apportés à la fabrication et au contrôle de l'outil, celui-ci devait avoir un défaut, la réparation ne doit être confiée qu'à une station de service après-vente agréée pour outillage SKIL
  - retournez l'outil **non démonté** avec votre preuve d'achat au revendeur ou au centre de service après-vente SKIL le plus proche (les adresses ainsi que la vue éclatée de l'outil figurent sur [www.skil.com](http://www.skil.com))
- Veuillez noter que tout dégât causé par une surcharge ou une mauvaise utilisation de l'outil ne sera pas couvert par la garantie (pour connaître les conditions de la garantie SKIL, surfez sur [www.skil.com](http://www.skil.com) ou adressez-vous à votre revendeur)

## ENVIRONNEMENT

- **Ne jetez pas les outils électriques, les accessoires et l'emballage dans les ordures ménagères** (pour les pays européens uniquement)
  - conformément à la directive européenne 2012/19/EG relative aux déchets d'équipements électriques ou électroniques, et à sa transposition dans la législation nationale, les outils électriques usés doivent être collectés séparément et faire l'objet d'un recyclage respectueux de l'environnement
  - le symbole <sup>5</sup> vous le rappellera au moment de la mise au rebut de l'outil



## BRUIT / VIBRATION

- Mesurés selon EN 60745, le niveau de pression sonore de cet outil est de 91,0 dB(A), le niveau de puissance acoustique est de 102,0 dB(A) (incertitude K = 3 dB), et la vibration 4,5 m/s<sup>2</sup> (somme vectorielle triax ; incertitude K = 1,5 m/s<sup>2</sup>)
- Le niveau de vibrations émises a été mesuré conformément à l'essai normalisé de la norme EN 60745; il peut être utilisé pour comparer plusieurs outils et pour réaliser une évaluation préliminaire de l'exposition aux vibrations lors de l'utilisation de l'outil pour les applications mentionnées
  - l'utilisation de l'outil dans d'autres applications, ou avec des accessoires différents ou mal entretenus, peut considérablement **augmenter** le niveau d'exposition
  - la mise hors tension de l'outil et sa non-utilisation pendant qu'il est allumé peuvent considérablement **réduire** le niveau d'exposition
- ! **protégez-vous contre les effets des vibrations par un entretien correct de l'outil et de ses accessoires, en gardant vos mains chaudes et en structurant vos schémas de travail**

D

## Oberfräse

1860

## EINLEITUNG

- Das Werkzeug ist bestimmt zum Fräsen von Nuten, Kanten, Profile und Langlöcher in Holz, Kunststoff und Leichtbaustoffen sowie zum Kopierfräsen
- Dieses Werkzeug eignet sich nicht für den professionellen Einsatz
- Bitte diese Bedienungsanleitung sorgfältig lesen und aufbewahren <sup>3</sup>

## TECHNISCHE DATEN <sup>1</sup>

## WERKZEUGKOMPONENTEN ②

- A Wellenarretierung
- B Spannzangenmutter
- C Schlüssel
- D Tiefenanschlag
- E Feineinstellknopf
- F Feineinstellskele
- G Revolvvertiefenanschlag
- H Einstellknopf (Tiefenanschlag)
- J Spannhebel
- K Drehzahlregler
- L Staubsaugeranschluß
- M Ein-/Ausschalter
- N Sicherheitsschalter
- P Anschlussstück
- Q Seitenanschlag
- R Bodenplatte
- S Lüftungsschlitze
- T Gleitschienen
- V Schutzabdeckung
- W Kurvenpuffer
- Y Führungsstangen
- Z Knopf zur Einstellung des Seitenanschlages
- AA Seitenanschlag-Bolzen
- AB Seitenführungsnut
- AC Tiefenvisier
- AD LED-Lampe

## SICHERHEIT

### ALLGEMEINE SICHERHEITSHINWEISE FÜR ELEKTROWERKZEUGE

**⚠️ WARNUNG** Lesen Sie alle Sicherheitshinweise, Anweisungen, Abbildungen und technischen Daten dieses Elektrogeräts. Die Nichtbeachtung der nachfolgenden Anweisungen kann zu Stromschlägen, Bränden bzw. ernsthaften Verletzungen führen.

**Bewahren Sie alle Sicherheitshinweise und Anweisungen für die Zukunft auf.**

Der in den Sicherheitshinweisen verwendete Begriff "Elektrowerkzeug" bezieht sich auf netzbetriebene Elektrowerkzeuge (mit Netzkabel) und auf akkubetriebene Elektrowerkzeuge (ohne Netzkabel).

#### 1) ARBEITSPLATZSICHERHEIT

- a) **Halten Sie Ihren Arbeitsbereich sauber und gut beleuchtet.** Unordnung oder unbeleuchtete Arbeitsbereiche können zu Unfällen führen.
- b) **Arbeiten Sie mit dem Elektrowerkzeug nicht in explosionsgefährdeter Umgebung, in der sich brennbare Flüssigkeiten, Gase oder Stäube befinden.** Elektrowerkzeuge erzeugen Funken, die den Staub oder die Dämpfe entzünden können.
- c) **Halten Sie Kinder und andere Personen während der Benutzung des Elektrowerkzeuges fern.** Bei Ablenkung können Sie die Kontrolle über das Elektrowerkzeug verlieren.

#### 2) ELEKTRISCHE SICHERHEIT

- a) **Der Anschlussstecker des Elektrowerkzeuges muss**

**in die Steckdose passen. Der Stecker darf in keiner Weise verändert werden. Verwenden Sie keine Adapterstecker gemeinsam mit geschützten Elektrowerkzeugen.** Unveränderte Stecker und passende Steckdosen verringern das Risiko eines elektrischen Schlages.

- b) **Vermeiden Sie Körperkontakt mit geerdeten Oberflächen, wie von Rohren, Heizungen, Herden und Kühlschränken.** Es besteht ein erhöhtes Risiko durch elektrischen Schlag, wenn Ihr Körper geerdet ist.
- c) **Halten Sie das Elektrowerkzeug von Regen oder Nässe fern.** Das Eindringen von Wasser in ein Elektrogerät erhöht das Risiko eines elektrischen Schlages.
- d) **Zweckfremden Sie das Kabel nicht, um das Elektrowerkzeug zu tragen, aufzuhängen oder um den Stecker aus der Steckdose zu ziehen. Halten Sie das Kabel fern von Hitze, Öl, scharfen Kanten oder sich bewegenden Elektrowerkzeugteilen.** Beschädigte oder verwickelte Kabel erhöhen das Risiko eines elektrischen Schlages.
- e) **Wenn Sie mit einem Elektrowerkzeug im Freien arbeiten, verwenden Sie nur Verlängerungskabel, die auch für den Außenbereich zugelassen sind.** Die Anwendung eines für den Außenbereich geeigneten Verlängerungskabels verringert das Risiko eines elektrischen Schlages.
- f) **Wenn der Betrieb des Elektrowerkzeuges in feuchter Umgebung nicht vermeidbar ist, verwenden Sie einen Fehlerstromschutzschalter.** Der Einsatz eines Fehlerstromschutzschalters vermindert das Risiko eines elektrischen Schlages.

#### 3) SICHERHEIT VON PERSONEN

- a) **Seien Sie aufmerksam, achten Sie darauf, was Sie tun, und gehen Sie mit Vernunft an die Arbeit mit einem Elektrowerkzeug. Benutzen Sie das Elektrowerkzeug nicht, wenn Sie müde sind oder unter dem Einfluss von Drogen, Alkohol oder Medikamenten stehen.** Ein Moment der Unachtsamkeit beim Gebrauch des Elektrowerkzeuges kann zu ernsthaften Verletzungen führen.
- b) **Tragen Sie persönliche Schutzausrüstung und immer eine Schutzbrille.** Das Tragen persönlicher Schutzausrüstung, wie Staubmaske, rutschfeste Sicherheitsschuhe, Schutzhelm oder Gehörschutz, je nach Art und Einsatz des Elektrowerkzeuges, verringert das Risiko von Verletzungen.
- c) **Vermeiden Sie eine unbeabsichtigte Inbetriebnahme. Vergewissern Sie sich, dass das Elektrowerkzeug ausgeschaltet ist, bevor Sie es an die Stromversorgung und/oder den Akku anschließen, es aufnehmen oder tragen.** Wenn Sie beim Tragen des Elektrowerkzeuges den Finger am Schalter haben oder das Elektrowerkzeug eingeschaltet an die Stromversorgung anschließen, kann dies zu Unfällen führen.
- d) **Entfernen Sie Einstellwerkzeuge oder Schraubenschlüssel, bevor Sie das Elektrowerkzeug einschalten.** Ein Werkzeug oder Schlüssel, der sich in einem drehenden Elektrowerkzeugteil befindet, kann zu Verletzungen führen.
- e) **Überschätzen Sie sich nicht. Sorgen Sie für einen sicheren Stand und halten Sie jederzeit**

- das Gleichgewicht. Dadurch können Sie das Elektrowerkzeug in unerwarteten Situationen besser kontrollieren.
- f) **Tragen Sie geeignete Kleidung. Tragen Sie keine weite Kleidung oder Schmuck. Halten Sie Haare und Kleidung fern von sich bewegenden Teilen.** Lockere Kleidung, Schmuck oder lange Haare können von sich bewegenden Teilen erfasst werden.
- g) **Wenn Staubabsaug- und -auffangeinrichtungen montiert werden können, vergewissern Sie sich, dass diese angeschlossen sind und richtig verwendet werden.** Verwendung einer Staubabsaugung verringert Gefährdungen durch Staub.
- h) **Wiegen Sie sich nicht in falscher Sicherheit und setzen Sie sich nicht über die Sicherheitsregeln für Elektrowerkzeuge hinweg, auch wenn Sie nach vielfachem Gebrauch mit dem Elektrowerkzeug vertraut sind.** Achtloses Handeln kann binnen Sekundenbruchteilen zu schweren Verletzungen führen.
- 4) **SORGFÄLTIGER UMGANG UND GEBRAUCH VON ELEKTROWERKZEUGEN**
- a) **Überlasten Sie das Elektrowerkzeug nicht. Verwenden Sie für Ihre Arbeit das dafür bestimmte Elektrowerkzeug.** Mit dem passenden Elektrowerkzeug arbeiten Sie besser und sicherer im angegebenen Leistungsbereich.
- b) **Benutzen Sie kein Elektrowerkzeug, dessen Schalter defekt ist.** Ein Elektrowerkzeug, das sich nicht mehr ein- oder ausschalten lässt, ist gefährlich und muss repariert werden.
- c) **Ziehen Sie den Stecker aus der Steckdose und/ oder entfernen Sie einen abnehmbaren Akku, bevor Sie Geräteeinstellungen vornehmen, Zubehörteile wechseln oder das Elektrowerkzeug weglegen.** Diese Vorsichtsmaßnahme verhindert den unbeabsichtigten Start des Elektrowerkzeuges.
- d) **Bewahren Sie unbenutzte Elektrowerkzeuge außerhalb der Reichweite von Kindern auf. Lassen Sie Personen das Elektrowerkzeug nicht benutzen, die mit diesem nicht vertraut sind oder diese Anweisungen nicht gelesen haben.** Elektrowerkzeuge sind gefährlich, wenn Sie von unerfahrenen Personen benutzt werden.
- e) **Pflegen Sie Elektrowerkzeuge und Zubehör mit Sorgfalt. Kontrollieren Sie, ob bewegliche Elektrowerkzeugeteile einwandfrei funktionieren und nicht klemmen, ob Teile gebrochen oder so beschädigt sind, dass die Funktion des Elektrowerkzeuges beeinträchtigt ist. Lassen Sie beschädigte Teile vor dem Einsatz des Elektrowerkzeuges reparieren.** Viele Unfälle haben ihre Ursache in schlecht gewarteten Elektrowerkzeugen.
- f) **Halten Sie Schneidwerkzeuge scharf und sauber.** Sorgfältig gepflegte Schneidwerkzeuge mit scharfen Schneidkanten verklemmen sich weniger und sind leichter zu führen.
- g) **Verwenden Sie Elektrowerkzeug, Zubehör, Einsatzwerkzeuge usw. entsprechend diesen Anweisungen. Berücksichtigen Sie dabei die Arbeitsbedingungen und die auszuführende Tätigkeit.** Der Gebrauch von Elektrowerkzeugen für andere als die vorgesehenen Anwendungen kann zu gefährlichen Situationen führen.

- h) **Halten Sie Griffe und Griffflächen trocken, sauber und frei von Öl und Fett.** Rutschige Griffe und Griffflächen erlauben keine sichere Bedienung und Kontrolle des Elektrowerkzeuges in unvorhergesehenen Situationen.
- 5) **SERVICE**
- a) **Lassen Sie Ihr Elektrowerkzeug nur von qualifiziertem Fachpersonal und nur mit Original-Ersatzteilen reparieren.** Damit wird sichergestellt, dass die Sicherheit des Elektrowerkzeuges erhalten bleibt.

#### SICHERHEITSHINWEISE FÜR OBERFRÄSEN

- **Fassen Sie das Elektrowerkzeug nur an den isolierten Griffflächen an, da die Schneidvorrichtung mit seinem eigenen Netzkabel in Berührung kommen kann** (ein Einschneiden eines spannungsführenden Kabels kann zu einer Spannungsübertragung auf die ungeschützten Metallteile des Elektrowerkzeuges führen und kann so dem Bediener einen Stromschlag versetzen)
- **Verwenden Sie Klemmen oder andere praktische Vorrichtungen, um das Werkstück an einer stabilen Plattform zu sichern und zu befestigen** (wenn das Werkstück in der Hand oder gegen den Körper gehalten wird, ist es nicht stabil und man kann die Kontrolle verlieren)

#### ALLGEMEINES

- Der Benutzer dieses Werkzeuges sollte älter als 16 Jahre sein
- Ziehen Sie grundsätzlich den Netzstecker, bevor Sie beliebige Änderungen an den Einstellungen oder einen Zubehörwechsel vornehmen

#### ZUBEHÖR

- SKIL kann nur dann die einwandfreie Funktion des Werkzeuges zusichern, wenn Original-Zubehör verwendet wird
- Nur Zubehör verwenden, dessen zulässige Drehzahl mindestens so hoch ist wie die höchste Leerlaufdrehzahl des Werkzeuges
- Keine rissigen oder verformten Fräsköpfe benutzen
- Nur scharfe Fräsköpfe benutzen
- Zubehör schützen vor Stoß-, Schlag- und Fetteinwirkung
- Mit diesem Werkzeug nur Hochleistungs-Schnellstahl (HSS)- oder Hartmetall-Fräsköpfe benutzen

#### VOR DER ANWENDUNG

- Beschädigungen durch Schrauben, Nägel und ähnliches an Ihrem Werkstück vermeiden; diese vor Arbeitsbeginn entfernen
- Stets nachprüfen, daß die Netzspannung mit der auf dem Typenschild des Werkzeuges angegebenen Spannung übereinstimmt
- **Bearbeiten Sie kein asbesthaltiges Material** (Asbest gilt als krebserregend)
- Das Werkzeug darf nicht in einen Schraubstock gespannt werden
- Bei Benutzung von Verlängerungskabeln ist darauf zu achten, daß das Kabel vollständig abgerollt ist und eine Kapazität von 16 A hat
- Der Geräuschpegel beim Arbeiten kann 85 dB(A) überschreiten; Gehörschutz tragen
- Staub von Materialien wie Farbe, die Blei enthält, einigen Holzarten, Mineralien und Metall kann schädlich sein (Kontakt mit oder Einatmen des Staubs kann zu allergischen Reaktionen und/oder Atemwegkrankheiten

beim Bediener oder Umstehenden führen); **tragen Sie eine Staubmaske und arbeiten Sie mit einem Staubabsaugungssystem, wenn ein solches angeschlossen werden kann**

- Bestimmte Arten von Staub sind als karzinogen klassifiziert (beispielsweise Eichen- und Buchenholzstaub), insbesondere in Verbindung mit Zusätzen für die Holzvorbehandlung; **tragen Sie eine Staubmaske und arbeiten Sie mit einem Staubabsaugungssystem, wenn ein solches angeschlossen werden kann**
- Beachten Sie die für Ihr verwendetes Verbrauchsmaterial gültigen nationalen Staubschutzvorgaben
- Beim Anschließen sicherstellen, dass das Werkzeug ausgeschaltet ist

#### WÄHREND DER ANWENDUNG

- Das Kabel immer von umlaufenden Teilen des Werkzeuges fernhalten; das Kabel nach hinten vom Werkzeug weg führen
- Werkzeug nicht weiter verwenden, wenn die Bodenplatte R ② (= Schutzvorrichtung) beschädigt ist; lassen Sie dieses von einem anerkannten Elektrofachmann ersetzen
- Verwenden Sie das Werkzeug niemals, wenn das Kabel beschädigt ist; es muss durch ein speziell vorbereitetes Kabel ersetzt werden, das über die Serviceorganisation erhältlich ist.
- Hände und Finger dürfen beim Einschalten des Werkzeuges nicht in der Nähe des Fräskopfes sein
- Niemals die Maximalfrästiefe des Fräskopfes während der Schnittarbeit überschreiten
- Bei elektrischer oder mechanischer Fehlfunktion das Werkzeug sofort ausschalten und den Netzstecker ziehen
- Falls der Fräskopf blockiert ist und dies zu ruckartigen Kräften am Werkzeug führt, das Werkzeug sofort ausschalten
- Bei Unterbrechung der Stromversorgung oder versehentlichem Ziehen des Netzsteckers das Werkzeug sofort abschalten, um unkontrollierten Wiederanlauf zu verhindern
- Nicht soviel Druck auf das Werkzeug ausüben, dass es zum Stillstand kommt

#### NACH DER ANWENDUNG

- Nach beendeter Arbeit Hebel J ② lösen, das Werkzeug in die obere Ausgangsstellung zurückführen und ausschalten

#### ERKLÄRUNG DER SYMBOLE AUF DEM WERKZEUG

- ③ Die Bedienungsanleitung vor dem Gebrauch lesen
- ④ Doppelte Isolierung (kein Erdleiter erforderlich)
- ⑤ Das Werkzeug nicht in den Hausmüll werfen

## BEDIENUNG

- Einsetzen/Entfernen der Fräsköpfe ⑥
  - ! **das Werkzeug abschalten und den Netzstecker ziehen**
  - ! **darauf achten, dass die Fräskopfwelle absolut sauber ist**
  - ! **darauf achten, dass sämtliche Fräsköpfe und Spannhülsen (6 mm, 6,35 mm, 8 mm) zueinander passen**
  - Werkzeug umdrehen
  - Welle durch Drücken der Wellenarretierung A feststellen (Spannmutter B, wenn nötig, etwas drehen)

und diese gedrückt halten, während Sie

FÜR DAS EINSETZEN:

- Spannmutter B mit Spannschlüssel C lösen
- Bit mit etwas Abstand x in die Spannzange ⑦ einfügen
- Spannmutter mit Spannschlüssel C fest anziehen
- Wellenarretierung A lösen

FÜR DAS ENTFERNEN:

- Spannmutter B mit Spannschlüssel C lösen
- Fräskopf entfernen
- Wellenarretierung A lösen

! **zum Lösen des Fräasers kann es notwendig sein, oben auf den Fräser zu klopfen, um das Bit mit Hammer und Holzstück zu schützen**

! **niemals Spannmutter anziehen, wenn sich kein Fräskopf in der Spannhülse befindet; Spannhülse könnte beschädigt werden**

- Auswechseln der Spannzangen ⑦

! **das Werkzeug abschalten und den Netzstecker ziehen**

! **achten Sie darauf, dass die Spannwellen absolut sauber ist**

- Spannmutter B 2 oder 3 Umdrehungen lockern
- mit Spannschlüssel C auf Spannmutter B klopfen
- Spannmutter B und Spannhülse entfernen (Welle feststellen)

- Werkzeug umdrehen

- neue Spannhülse in Spannwellen einsetzen

- Spannmutter B montieren (Welle feststellen)

! **niemals Spannmutter anziehen, wenn sich kein Fräskopf in der Spannhülse befindet; Spannhülse könnte beschädigt werden**

- Einstellen der Frästiefe ⑧

! **das Werkzeug abschalten und den Netzstecker ziehen**

- die Feineinstellung durch Drehen des Drehknopfes

E bis zum Ende, dann 4 volle Umdrehungen

zurückdrehen und die Skala F auf 0 ⑧a einstellen

- Drehen Sie den Revolverkopf G so, dass seine höchste Stellung rechts unter der Tiefeneinstellung D einrastet (zum Nullen) ⑧b

- lösen Sie den Knopf H so, dass die Tiefeneinstellung D auf den Revolvertiefeanschlag G fällt ⑧b

- das Werkzeug am Werkstück anlegen

- lösen Sie den Spannhebel J ⑧c

- Werkzeug nach unten drücken, bis Fräskopf auf Werkstück aufliegt ⑧d

- lösen und ziehen Sie den Spannhebel J an ⑧e

- Tiefenvisier AC auf 0 mm ⑧f verschieben

- verstellen Sie die Tiefeneinstellung D bis zur gewünschten Frästiefe in mm, und ziehen Sie den Knopf H an ⑧f

- lösen Sie den Spannhebel J und führen Sie das Werkzeug wieder nach oben zurück

- mit dem Feineinstellknopf E die Frästiefe genauer einstellen (0...±8 mm); die Markierungen auf der Skala F entsprechen 0,1 mm, 1 volle Umdrehung entspricht 2,0 mm

- mit dem Revolvertiefeanschlag G kann die Frästiefe stufenweise erhöht werden (empfohlen für tiefe Schnitte)

! **stellen Sie die Frästiefe nach einem Fräskopfwechsel wieder neu ein**

- Drehzahlregelung ⑨  
Für optimale Fräsergebnisse bei verschiedenen Werkstoffen
  - Fräsdrehzahl mit Rad K wählen (auch bei sich drehendem Werkzeug)
  - Tabelle ⑩ zur Ermittlung der richtigen Fräsdrehzahl benutzen
  - vor Arbeitsbeginn die optimale Drehzahl durch Ausprobieren an einem Übungsstück ermitteln
- ! **nach längerem Arbeiten bei niedriger Drehzahl das Werkzeug abkühlen lassen, indem man es etwa 3 Minuten bei hoher Drehzahl unbelastet laufen lässt**
- LED-Lampe AD ⑪
  - LED-Licht AD leuchtet automatisch bei Betätigung des Auslösers M
- Staubabsaugung
  - Staubsaugeranschluß L wie dargestellt montieren ⑫a
  - Staubabsaugungsschlauch an den Staubabsaugungsadapter anschließen L ⑫b
- Bedienung des Werkzeuges ⑬
  - ! **halten Sie das Werkzeug immer mit beiden Händen fest**
  - ! **Werkzeug beim Arbeiten immer am grauen Griffbereich fassen**
    - das Werkzeug am Werkstück anlegen
    - das Werkzeug einschalten, indem Sie zuerst Knopf N (= Sicherheitsschalter den man nicht festsetzen kann) drücken und dann Schalter M betätigen
  - ! **bevor der Fräskopf in das Werkstück eingeführt wird, muß erst Höchstgeschwindigkeit erreicht werden**
    - lösen Sie den Spannhebel J und drücken Sie langsam das Werkzeug nach unten, bis die Tiefeneinstellung D den Revolvertiefenanschlag G erreicht
    - ziehen Sie den Spannhebel J an
    - Fräsvorgang mit gleichmäßigem Vorschub vornehmen
    - beim Führen des Werkzeuges die Bodenplatte flach auf dem Werkstück halten
    - im Allgemeinen soll man das Werkzeug beim Arbeiten "ziehen", nicht schieben
    - nach beendeter Arbeit Hebel J lösen und das Werkzeug in die obere Ausgangsstellung zurückführen
    - Schalter lösen M
- Richtiges Führen für verschiedene Schnitte ⑭
  - darauf achten, dass die Drehrichtung des Fräskopfes im Uhrzeigersinn erfolgt
  - das Werkzeug so führen, dass sich der Fräskopf in das Werkstück hineindreht und nicht davon wegdreht
- Montieren der Adapterplatte P (zum Arbeiten nach einer Vorlage) ⑮
- Montieren des Seitenanschlags Q ⑯
  - die Führungsstangen Y durch die vorhandenen Bohrungen der Bodenplatte R schieben
  - Seitenanschlag auf gewünschte Länge bringen und mit 2 Knöpfen Z befestigen
- Benutzung des Seitenanschlags als Rundführung ⑰
  - ! **Seitenanschlag zuerst umkehren**
    - Bolzen AA mit Mutter AB wie dargestellt befestigen
    - Stangen Y in Bodenplatte R schieben
    - Stift AA in markierte Mitte des Kreisbogens eindrücken
    - Seitenanschlag mit 2 Knöpfen Z befestigen
    - das Werkzeug mit gleichmäßigem Vorschub über das Werkstück führen

- Benutzung des Seitenanschlags mit Kurvenpuffer W ⑱
  - Kurvenpuffer W (mit montierter Führungswalze) lt. Abbildung montieren
  - das Werkzeug die Werkstückkante entlang mit leichtem Seitwärtsdruck führen

## ANWENDUNGSHINWEISE

- Für Schnitte, die parallel zur Kante Ihres Arbeitsstückes verlaufen, den Seitenanschlag verwenden
- Für Parallelschnitte, die dafür zu weit von der Kante Ihres Werkstückes entfernt sind ⑲
  - ein massives Holzstück auf Ihrem Arbeitsstück mit 2 Schraubklemmen montieren
  - das Werkzeug mit der Bodenplatte entlang der Kante des Holzstückes führen, das Ihnen jetzt als Seitenanschlag dient
- Bei Bits mit einem Führungszapfen oder Kugellager muß der Führungszapfen oder das Kugellager an der Außenseite des Werkstückes, die möglichst glatt sein sollte, geführt werden ⑲
- Bei größeren Frästiefen ist es empfehlenswert, nacheinander mehrere Bearbeitungsgänge mit geringerer Spanabnahme vorzunehmen
- Für weitere Informationen verweisen wir auf [www.skil.com](http://www.skil.com)

## WARTUNG / SERVICE

- Dieses Werkzeug eignet sich nicht für den professionellen Einsatz
- Halten Sie Werkzeug und Kabel immer sauber (insbesondere die Lüftungsschlitze S ②)
- Die Gleitschienen T ② gelegentlich schmieren
- Sollte das Elektrowerkzeug trotz sorgfältiger Herstellungs- und Prüfverfahren einmal ausfallen, ist die Reparatur von einer autorisierten Kundendienststelle für SKIL-Elektrowerkzeuge ausführen zu lassen
  - das Werkzeug **unzerlegt**, zusammen mit dem Kaufbeleg, an den Lieferer oder die nächste SKIL-Vertragswerkstätte senden (die Anschriften so wie die Ersatzteilzeichnung des Werkzeuges finden Sie unter [www.skil.com](http://www.skil.com))
- Beachten Sie, dass ein falscher oder unsachgemäßer Gebrauch des Werkzeugs zum Erlöschen der Garantie führt (die SKIL-Garantiebedingungen finden Sie unter [www.skil.com](http://www.skil.com) oder fragen Sie Ihren Händler)

## UMWELT

- **Elektrowerkzeuge, Zubehör und Verpackungen nicht in den Hausmüll werfen** (nur für EU-Länder)
  - gemäss Europäischer Richtlinie 2012/19/EG über Elektro- und Elektronik- Altgeräte und Umsetzung in nationales Recht müssen nicht mehr gebrauchsfähige Elektrowerkzeuge getrennt gesammelt und einer umweltgerechten Wiederverwertung zugeführt werden
  - hieran soll Sie Symbol ⑤ erinnern

## GERÄUSCH / VIBRATION

- Gemessen nach EN 60745 beträgt der Schalldruckpegel dieses Werkzeugs 91,0 dB(A) und der Schalleistungspegel 102,0 dB(A) (Unsicherheit K = 3 dB), und die Schwingung 4,5 (Triaxvektorsumme; Unsicherheit K = 1,5 m/s<sup>2</sup>)

- Die Vibrationsemissionsstufte wurde mit einem standardisierten Test gemäß EN 60745 gemessen; Sie kann verwendet werden, um ein Werkzeug mit einem anderen zu vergleichen und als vorläufige Beurteilung der Vibrationsexposition bei Verwendung des Werkzeugs für die angegebenen Anwendungszwecke
  - die Verwendung des Werkzeugs für andere Anwendungen oder mit anderem oder schlecht gewartetem Zubehör kann die Expositionsstufe erheblich **erhöhen**
  - Zeiten, zu denen das Werkzeug ausgeschaltet ist, oder wenn es läuft aber eigentlich nicht eingesetzt wird, können die Expositionsstufe erheblich **verringern**
- ! **Schützen Sie sich vor den Auswirkungen der Vibration durch Wartung des Werkzeugs und des Zubehörs, halten Sie Ihre Hände warm und organisieren Sie Ihren Arbeitsablauf**

NL

## Bovenfrees

1860

## INTRODUCTIE

- De machine is bestemd voor zowel het frezen van groeven, randen, profielen en langgaten in hout, kunststof en lichte bouwmaterialen, als voor kopieerfreesen
- Deze machine is niet bedoeld voor professioneel gebruik
- Lees en bewaar deze gebruiksaanwijzing ③

## TECHNISCHE GEGEVENS ①

## MACHINE-ELEMENTEN ②

- A Asblokkering
- B Spanmoer
- C Sleutel
- D Diepteaanslag
- E Instelknop
- F Instelschaal
- G Revolverkop met diepte-aanslagen
- H Verstelknop (diepteaanslag)
- J Vergrendelingshendel
- K Toerental-instelwiel
- L Stofzuigeraansluitstuk
- M Aan/uit trekker
- N Veiligheidsschakelaar
- P Accessoiresplaat
- Q Breedtegeleider
- R Voetplaat
- S Ventilatie-openingen
- T Glijstangen
- V Beschermingsafdekking
- W Bochtenhulpstuk
- Y Breedtegeleiderstaven
- Z Knop voor instellen breedtegeleider
- AA Breedtegeleiderpin
- AB Breedtegeleidermoer
- AC Dieptevizier
- AD LED-lampje

## VEILIGHEID

### ALGEMENE VEILIGHEIDSWAARSCHUWINGEN VOOR ELEKTRISCHE GEREEDSCHAPPEN

**⚠ WAARSCHUWING** Lees alle veiligheidswaarschuwingen, instructies, afbeeldingen en specificaties die met dit elektrische gereedschap zijn meegeleverd. Het niet volgen van alle hieronder genoemde instructies kan elektrische schokken, brand en/of ernstig letsel tot gevolg hebben.

### Bewaar alle waarschuwingen en voorschriften voor toekomstig gebruik.

Het in de waarschuwingen gebruikte begrip "elektrisch gereedschap" heeft betrekking op elektrische gereedschappen voor gebruik op het stroomnet (met netsnoer) en op elektrische gereedschappen voor gebruik met een accu (zonder netsnoer).

#### 1) VEILIGHEID VAN DE WERKOMGEVING

- a) **Houd uw werkomgeving schoon en opgeruimd.**  
Een rommelige of onverlichte werkomgeving kan tot ongevallen leiden.
- b) **Werk met het gereedschap niet in een omgeving met explosiegevaar waarin zich brandbare vloeistoffen, gassen of stof bevinden.** Elektrische gereedschappen veroorzaken vonken die het stof of de dampen tot ontsteking kunnen brengen.
- c) **Houd kinderen en andere personen tijdens het gebruik van het elektrische gereedschap uit de buurt.** Wanneer u wordt afgeleid, kunt u de controle over het gereedschap verliezen.

#### 2) ELEKTRISCHE VEILIGHEID

- a) **De aansluitstekker van het gereedschap moet in het stopcontact passen. De stekker mag in geen geval worden veranderd. Gebruik geen adapterstekkers in combinatie met geaarde gereedschappen.**  
Onveranderde stekkers en passende stopcontacten beperken het risico van een elektrische schok.
- b) **Voorkom aanraking van het lichaam met geaarde oppervlakken, bijvoorbeeld van buizen, verwarmingen, fornuizen en koelkasten.** Er bestaat een verhoogd risico door een elektrische schok wanneer uw lichaam geaard is.
- c) **Houd het gereedschap uit de buurt van regen en vocht.** Het binnendringen van water in het elektrische gereedschap vergroot het risico van een elektrische schok.
- d) **Gebruik de kabel niet voor een verkeerd doel, om het gereedschap te dragen of op te hangen of om de stekker uit het stopcontact te trekken. Houd de kabel uit de buurt van hitte, olie, scherpe randen en bewegende gereedschapsdelen.** Beschadigde of in de war geraakte kabels vergroten het risico van een elektrische schok.
- e) **Wanneer u buitenshuis met elektrisch gereedschap werkt, dient u alleen verlengkabels te gebruiken die voor gebruik buitenshuis zijn goedgekeurd.**  
Het gebruik van een voor gebruik buitenshuis geschikte verlengkabel beperkt het risico van een elektrische schok.

- f) **Als het gebruik van het elektrische gereedschap in een vochtige omgeving onvermijdelijk is, dient u een aardlekschakelaar te gebruiken.** Het gebruik van een aardlekschakelaar vermindert het risico van een elektrische schok.
- 3) PERSOONLIJKE VEILIGHEID**
- a) **Wees alert, let goed op wat u doet en ga met verstand te werk bij het gebruik van het elektrische gereedschap.** Gebruik het gereedschap niet wanneer u moe bent of onder invloed staat van drugs, alcohol of medicijnen. Een moment van onoplettendheid bij het gebruik van het gereedschap kan tot ernstige verwondingen leiden.
- b) **Draag persoonlijke beschermende uitrusting en altijd een veiligheidsbril.** Het dragen van persoonlijke beschermende uitrusting zoals een stofmasker, slipvaste werkschoenen, een veiligheidshelm of gehoorbescherming, afhankelijk van de aard en het gebruik van het elektrische gereedschap, vermindert het risico van verwondingen.
- c) **Voorkom per ongeluk inschakelen. Controleer dat het elektrische gereedschap uitgeschakeld is voordat u de stekker in het stopcontact steekt of de accu aansluit en voordat u het gereedschap oppakt of draagt.** Wanneer u bij het dragen van het elektrische gereedschap uw vinger aan de schakelaar hebt of wanneer u het gereedschap ingeschakeld op de stroomvoorziening aansluit, kan dit tot ongevallen leiden.
- d) **Verwijder instelgereedschappen of schroefsleutels voordat u het gereedschap inschakelt.** Een instelgereedschap of sleutel in een draaiend deel van het gereedschap kan tot verwondingen leiden.
- e) **Probeer niet ver te reiken. Zorg ervoor dat u stevig staat en steeds in evenwicht blijft.** Daardoor kunt u het gereedschap in onverwachte situaties beter onder controle houden.
- f) **Draag geschikte kleding. Draag geen loshangende kleding of sieraden. Houd haren en kleding uit de buurt van bewegende delen.** Loshangende kleding, sieraden en lange haren kunnen door bewegende delen worden meegenomen.
- g) **Wanneer stofafzuigings- of stofopvangvoorzieningen kunnen worden gemonteerd, dient u zich ervan te verzekeren dat deze zijn aangesloten en juist worden gebruikt.** Het gebruik van een stofafzuiging beperkt het gevaar door stof.
- h) **Ondanks het feit dat u eventueel heel goed vertrouwd bent met het gebruik van gereedschappen, moet u ervoor zorgen dat u niet nonchalant wordt en veiligheidsvoorschriften voor het gereedschap gaat negeren.** Een onoplettende handeling kan binnen een fractie van een seconde ernstig letsel veroorzaken.
- 4) GEBRUIK EN ONDERHOUD VAN ELEKTRISCHE GEREEDSCHAPPEN**
- a) **Overbelast het gereedschap niet. Gebruik voor uw werkzaamheden het daarvoor bestemde elektrische gereedschap.** Met het passende elektrische gereedschap werkt u beter en veiliger binnen het aangegeven capaciteitsbereik.
- b) **Gebruik geen elektrisch gereedschap waarvan de schakelaar defect is.** Elektrisch gereedschap dat niet meer kan worden in- of uitgeschakeld, is gevaarlijk en

- moet worden gerepareerd.
- c) **Trek de stekker uit het stopcontact en/of neem de accu (indien uitneembaar) uit het elektrische gereedschap voordat u het elektrische gereedschap instelt, accessoires wisselt of het elektrische gereedschap opbergt.** Deze voorzorgsmaatregel voorkomt onbedoeld starten van het elektrische gereedschap.
- d) **Bewaar niet-gebruikte elektrische gereedschappen buiten bereik van kinderen. Laat het gereedschap niet gebruiken door personen die er niet mee vertrouwd zijn en deze aanwijzingen niet hebben gelezen.** Elektrische gereedschappen zijn gevaarlijk wanneer deze door onervaren personen worden gebruikt.
- e) **Verzorg het gereedschap zorgvuldig. Controleer of bewegende delen van het gereedschap correct functioneren en niet vastklemmen en of onderdelen zodanig gebroken of beschadigd zijn dat de werking van het gereedschap nadelig wordt beïnvloed. Laat beschadigde delen repareren voordat u het gereedschap gebruikt.** Veel ongevallen hebben hun oorzaak in slecht onderhouden elektrische gereedschappen.
- f) **Houd snijdende inzetgereedschappen scherp en schoon.** Zorgvuldig onderhouden snijdende inzetgereedschappen met scherpe snijkanten klemmen minder snel vast en zijn gemakkelijker te geleiden.
- g) **Gebruik elektrische gereedschappen, toebehoren, inzetgereedschappen en dergelijke volgens deze aanwijzingen. Let daarbij op de arbeidsomstandigheden en de uit te voeren werkzaamheden.** Het gebruik van elektrische gereedschappen voor andere dan de voorziene toepassingen kan tot gevaarlijke situaties leiden.
- h) **Houd handgrepen en greepvlakken droog, schoon en vrij van olie en vet.** Gladde handgrepen en greepvlakken verhinderen dat het gereedschap in onverwachte situaties veilig kan worden gehanteerd en bediend.
- 5) SERVICE**
- a) **Laat het gereedschap alleen repareren door gekwalificeerd en vakkundig personeel en alleen met originele vervangingsonderdelen.** Daarmee wordt gewaarborgd dat de veiligheid van het gereedschap in stand blijft.

#### VEILIGHEIDSVOORSCHRIFTEN VOOR BOVENFREZEN

- **Houd het elektrische gereedschap vast aan de geïsoleerde greepvlakken, omdat de snijder in contact kan komen met het snoer (het doorsnijden van een onder spanning staand snoer kan blootgestelde metalen delen van het elektrische gereedschap onder spanning zetten, waardoor de gebruiker een schok kan krijgen)**
- **Gebruik klemmen of pas een andere handige manier toe om het werkstuk vast te zetten en te ondersteunen op een stabiel platform (bij het in de hand of tegen het lichaam houden van het werkstuk, kan de machine niet goed onder controle worden gehouden)**

#### ALGEMEEN

- Deze machine mag niet worden gebruikt door personen onder de 16 jaar



- Trek altijd de stekker uit het stopcontact voordat u een instelling verandert of een accessoire verwisselt

## ACCESSOIRES

- SKIL kan alleen een correcte werking van de machine garanderen, indien originele accessoires worden gebruikt
- Gebruik alleen accessoires met een toegestaan toerental, dat minstens even hoog is als het hoogste onbelaste toerental van de machine
- Gebruik geen beschadigde of vervormde frezen
- Gebruik alleen scherpe frezen
- Bescherm accessoires tegen slagen, stoten, en vet
- Gebruik bij deze machine altijd HSS- of hardmetalen frezen

## VÓÓR GEBRUIK

- Voorkom schade, die kan ontstaan door schroeven, spijkers en andere voorwerpen in uw werkstuk; verwijder deze, voordat u aan een karwei begint
- Controleer altijd de voltage, dat vermeld staat op het typeplaatje van de machine, overeenkomt met de netspanning
- **Bewerk geen asbesthoudend materiaal** (asbest geldt als kankerverwekkend)
- Klem de machine niet vast in een bankschroef
- Gebruik volledig uitgerolde en veilige verlengsnoeren met een capaciteit van 16 Ampère
- Tijdens het werken kan het geluidsniveau 85 dB(A) overschrijden; draag oorbeschermers
- Stof van materiaal zoals loodhoudende verf, sommige houtsoorten, mineralen en metaal kunnen schadelijk zijn (contact met of inademing van de stof kan allergische reacties en/of ademhalingsziekten bij gebruiker of omstanders veroorzaken); **draag een stofmasker en werk met een stofopvang-voorziening als die kan worden aangesloten**
- Bepaalde soorten stof zijn geclassificeerd als kankerverwekkend (zoals stof van eiken en beuken), met name in combinatie met toevoegingsmiddelen voor houtverzorging; **draag een stofmasker en werk met een stofopvang-voorziening als die kan worden aangesloten**
- Neem voor de door u te bewerken materialen de nationale voorschriften aangaande stofopvang in acht
- Zorg ervoor, dat de machine is uitgeschakeld, wanneer de stekker in het stopcontact gestoken wordt

## TIJDENS GEBRUIK

- Houd het snoer altijd verwijderd van de bewegende delen van uw machine; richt het snoer naar achteren, van de machine weg
- Gebruik de machine niet, wanneer de voetplaat R ② (=beschermkap) beschadigd is; laat deze door een erkende vakman vervangen
- Gebruik de machine nooit als het snoer is beschadigd; het moet worden vervangen door een speciaal gemaakt snoer dat verkrijgbaar is via de serviceorganisatie.
- Blijf met uw handen en vingers uit de buurt van de frees, wanneer de machine aan staat
- Nooit de maximale freesdiepte van de frees overschrijden tijdens het frezen
- In geval van elektrische of mechanische storing, de machine onmiddellijk uitschakelen en de stekker uit het stopcontact trekken
- Wanneer de frees geblokkeerd is, met een plotselinge reactiekracht van de machine als gevolg, de machine onmiddellijk uitschakelen
- Als de stroom is uitgevallen of de stekker per ongeluk uit het stopcontact wordt getrokken, de machine

onmiddellijk uitschakelen om ongecontroleerd herstarten te voorkomen

- Belast de machine niet zó sterk, dat deze tot stilstand komt

## NA GEBRUIK

- Na het einde van de werkzaamheden hendel J ② los draaien, de machine terug naar de beginstand bovenaan bewegen, en de machine uitschakelen

## UITLEG VAN SYMBOLEN OP MACHINE

- ③ Lees de gebruiksaanwijzing vóór gebruik
- ④ Dubbele isolatie (geen aarddraad nodig)
- ⑤ Geef de machine niet met het huisvuil mee

## GEBRUIK

- Plaatsen/verwijderen van frezen ⑥
  - ! **schakel de machine uit en trek de stekker uit het stopcontact**
  - ! **zorg ervoor, dat de as van de frees perfect schoon is**
  - ! **zorg ervoor, dat de spantang-diameter (6 mm, 6,35 mm, 8 mm) overeenkomt met de as-diameter van de frees**
    - draai machine ondersteboven
    - vergrendel as door asblokkering A in te drukken (draai spanmoer B, indien nodig) en houd deze vast terwijl u
- VOOR HET PLAATSEN:
  - spanmoer B met sleutel C losdraai
  - plaats bit met een beetje ruimte x in spantang ⑦
  - spanmoer stevig met sleutel C vastdraai
  - laat asblokkering A los
- VOOR HET VERWIJDEREN:
  - spanmoer B met sleutel C losdraai
  - de frees verwijderd
  - laat asblokkering A los
- ! **voor het losmaken van de frees kan het noodzakelijk zijn om tegen de bovenkant van de frees te tikken met een hamer en een stuk hout om de frees te beschermen**
- ! **draai spanmoer nooit vast, wanneer er geen frees in spantang zit; spantang kan beschadigd worden**
- Verwisselen van spantang ⑦
  - ! **schakel de machine uit en trek de stekker uit het stopcontact**
  - ! **zorg ervoor, dat de as van de spantang perfect schoon is**
    - draai spanmoer B 2 of 3 slagen los
    - tik met sleutel C op spanmoer B
    - verwijder spanmoer B en spantang (vergrendel as)
    - draai machine ondersteboven
    - plaats nieuwe spantang in spantang-as
    - plaats spanmoer B terug (vergrendel as)
  - ! **draai spanmoer nooit vast, wanneer er geen frees in spantang zit; spantang kan beschadigd worden**
- Instelling van freesdiepte ⑧
  - ! **schakel de machine uit en trek de stekker uit het stopcontact**
  - zet de instelling op de middelste stand door knop E tot het eind te draaien en vervolgens 4 volle slagen terug te draaien en zet de schaal F op 0 ⑨a
  - draai revolverkop G zodanig dat de laagste positie op zijn plaats klikt onder diepte-instelling D (for zeroing) ⑨b
  - draai knop H los zodat diepte-instelling D op

- revolverkop met diepte-aanslag G valt ⑧b
- plaats machine op werkstuk
- draai vergrendelingshendel J los ⑧c
- duw machine omlaag tot frees het werkstuk raakt ⑧d
- los de vergrendelingshendel en zet hem weer vast J ⑧e
- verplaats dieptevizier AC naar 0 mm ⑧ f
- breng diepte-instelling D zoveel mm omhoog als de gewenste freesdiepte en draai knop H aan ⑧ f
- draai vergrendelingshendel J los en geleid het apparaat weer omhoog
- gebruik de instelknop E om de freesdiepte nauwkeuriger in te stellen (0...±8 mm); de markeringen op de schaal F stemmen overeen met 0,1 mm, 1 volledige slag stemt overeen met 2,0 mm
- met revolverkop met diepte-aanslag G kan de freesdiepte met respectievelijke stappen worden verhoogd (aanbevolen voor diepe zaagsneden)
- ! **stel de freesdiepte opnieuw in nadat u frezen hebt verwisseld**
- Toerentalregeling ⑨
  - Voor optimale freesresultaten in verschillende materialen
  - selecteer freessnelheid met wielje K (ook als de machine loopt)
  - gebruik tabel ⑩ als referentie voor het bepalen van de juiste freessnelheid
  - zoek, voordat u aan een karwei begint, het optimale toerental door uitproberen op rest-materiaal
  - ! **laat de machine, nadat u langere tijd met een laag toerental hebt gewerkt, afkoelen door hem ongeveer 3 minuten onbelast met een hoog toerental te laten draaien**
- LED-lampje AD ⑪
  - LED-lamp AD gaat automatisch branden bij het activeren van trekker M
- Stofafzuiging
  - stofzuigeraansluitstuk L zoals afgebeeld bevestigen ⑫a
  - sluit stofzuigerslang aan op adapter stofzuiger L ⑫b
- Werken met de machine ⑬
  - ! **houd de machine altijd stevig met beide handen vast**
  - ! **houd de machine tijdens het werk altijd vast bij het(de) grijs-gekleurde greepvlak(ken)**
  - plaats machine op werkstuk
  - schakel uw machine aan door eerst knop N (= veiligheidsschakelaar, die niet vastgezet kan worden) en daarna trekker M in te drukken
  - ! **voordat de frees in aanraking komt met het werkstuk, moet uw machine op volle toeren draaien**
  - draai vergrendelingshendel J los en duw de machine langzaam naar beneden, totdat diepte-instelling D revolverkop met diepte-aanslag G bereikt
  - zet vergrendelingshendel J vast
  - verricht de freeswerkzaamheden met een gelijkmatige voortgangsbeweging
  - gebruik uw machine met de voetplaat vlak op het werkstuk
  - in het algemeen geldt, dat men de machine dient te trekken, niet te duwen
  - na het einde van de werkzaamheden hendel J los draaien en de machine terug naar de beginstand bovenaan bewegen

- laat trekker los M
- Juiste geleiding ⑭
  - denk eraan, dat de frees rechtsom draait
  - geleid de machine zodanig, dat de frees in het werkstuk draait, niet ervan weg
- Monteren van accessoire-plaat P (voor kopiëren met behulp van een mal) ⑮
- Monteren van breedtegeleider Q ⑯
  - steek breedtegeleiderstaven Y door gaten in voetplaat R
  - schuif breedtegeleider tot gewenste breedte en zet deze vast met 2 knoppen Z
- Gebruik van de breedtegeleider als rondzaaggeleider ⑰
  - ! **draai de breedtegeleider eerst om**
  - bevestig pin AA met moer AB zoals afgebeeld
  - steek staven Y in voetplaat R
  - steek pin AA in het gemarkeerde midden van de cirkelboog
  - zet breedtegeleider vast met 2 knoppen Z
  - geleid de machine gelijkmatig over het werkstuk
- Gebruik van de breedtegeleider met bochtenhulpstuk W ⑱
  - monteer bochtenhulpstuk W (met gemonteerde geleidingsrol) zoals afgebeeld
  - geleid machine langs rand van werkstuk met lichte zijwaartse druk

## TOEPASSINGSADVIES

- Gebruik de breedtegeleider voor parallel-frezen aan de zijkant van uw werkstuk
- Voor parallel-frezen ver van de zijkant van uw werkstuk ⑬
  - een recht stuk hout op het werkstuk bevestigen door middel van twee klemmen
  - de machine met vlakke zijde van voet langs het stuk hout geleiden, dat nu als breedtegeleider dienst doet
- Bij het gebruik van frezen met een pen of lager, dient de pen of het lager te glijden langs de zijkant van het werkstuk, dat geheel vlak dient te zijn ⑱
- Bij grote freesdiepten wordt aangeraden een aantal opeenvolgende bewerkingsstappen met een kleinere spaanafname uit te voeren
- Voor meer informatie zie [www.skil.com](http://www.skil.com)

## ONDERHOUD / SERVICE

- Deze machine is niet bedoeld voor professioneel gebruik
- Houd machine en snoer altijd schoon (met name de ventilatie-openingen S ②)
- De glijstangen T ② dienen regelmatig gesmeerd te worden
- Mocht het elektrische gereedschap ondanks zorgvuldige fabricage- en testmethoden toch defect raken, dient de reparatie te worden uitgevoerd door een erkende klantenservice voor SKIL elektrische gereedschappen
- stuur de machine **ongedemonteerd**, samen met het aankoopbewijs, naar het verkoopadres of het dichtstbijzijnde SKIL service-station (de adressen evenals de onderdeelentekening van de machine vindt u op [www.skil.com](http://www.skil.com))
- Denk erom, dat beschadigingen als gevolg van overbelasting of onjuist gebruik van de machine niet onder de garantie vallen (voor de garantievoorwaarden van SKIL zie [www.skil.com](http://www.skil.com) of raadpleeg uw dealer)

## MILIEU

- **Geef elektrisch gereedschap, accessoires en verpakkingen niet met het huisvuil mee** (alleen voor EU-landen)
  - volgens de Europese richtlijn 2012/19/EG inzake oude elektrische en elektronische apparaten en de toepassing daarvan binnen de nationale wetgeving, dient afgedankt elektrisch gereedschap gescheiden te worden ingezameld en te worden afgevoerd naar een recycle-bedrijf, dat voldoet aan de geldende milieu-eisen
  - symbool ⑤ zal u in het afdankstadium hieraan herinneren

## GELUID / VIBRATIE

- Gemeten in navolging van EN 60745 is het geluidsdrukkniveau van deze machine 91,0 dB(A) en het geluidsvermogensniveau 102,0 dB(A) (onzekerheid K = 3 dB), en de trilling 4,5 m/s<sup>2</sup> (triax vector som; onzekerheid K = 1.5 m/s<sup>2</sup>)
  - Het trillingsemisniveau is gemeten in overeenstemming met een gestandaardiseerde test volgens EN 60745; deze mag worden gebruikt om twee machines met elkaar te vergelijken en als voorlopige beoordeling van de blootstelling aan trilling bij gebruik van de machine voor de vermelde toepassingen
    - gebruik van de machine voor andere toepassingen, of met andere of slecht onderhouden accessoires, kan het blootstellingsniveau aanzienlijk **verhogen**
    - wanneer de machine is uitgeschakeld of wanneer deze loopt maar geen werk verricht, kan dit het blootstellingsniveau aanzienlijk **reduceren**
- ! bescherm uzelf tegen de gevolgen van trilling door de machine en de accessoires te onderhouden, uw handen warm te houden en uw werkwijze te organiseren**

S

**Handöverfräs 1860**

## INTRODUKTION

- Maskinen är avsedd för fräsning av spår, kanter, profiler och ovala hål i trä, plast och lätta byggnadsmaterial samt för kopierfräsning
- Det här verktyget är inte avsedd för yrkesmässig användning
- Läs och spara denna instruktionsbok ③

## TEKNISKA DATA ①

## VERKTYGSELEMENT ②

- A Axellås
- B Chuckmutter
- C Nyckel
- D Djupmätt
- E Finjusteringsknapp
- F Finjusteringsskala
- G Djupstopp-revolversockel
- H Justeringsknapp (djupmätt)
- J Låsspak

- K Hjul för varvtalsinställning
- L Dammsugaradapter
- M Avtryckare till/från
- N Säkerhetsbrytare
- P Adapterplatta
- Q Sidoanslag
- R Bottenplatta
- S Ventilationsöppningar
- T Glidskenor
- V Skyddslock
- W Kurvbuffert
- Y Sidoanslagsstag
- Z Knapp för justering av sidoanslag
- AA Sidoanslagsstift
- AB Mutter för parallellt anhåll
- AC Djupskala
- AD Lysdiodlampa

## SÄKERHET

### ALLMÄNNA SÄKERHETSANVISNINGAR FÖR ELVERKTYG

**⚠ WARNING Studera alla varningar, anvisningar, bilder och specifikationer gällande säkerhet som medföljer verktyget.** Om anvisningarna inte följs kan det resultera i elektriska stötar, brand och/eller allvarliga personskador.

### Förvara alla varningar och anvisningar för framtida bruk.

Nedan använt begrepp "elverktyg" hänför sig till nätdrivna elverktyg (med nätsladd) och till batteridrivna elverktyg (sladdlösa).

#### 1) ARBETSPLATSSÄKERHET

- Håll arbetsplatsen ren och välbelyst.** Ordning på arbetsplatsen eller dåligt belyst arbetsområde kan leda till olyckor.
- Använd inte elverktyget i explosionsfarlig omgivning med brännbara vätskor, gaser eller damm.** Elverktygen alstrar gnistor som kan antända dammet eller gaserna.
- Håll under arbetet med elverktyget barn och obehöriga personer på betryggande avstånd.** Om du störs av obehöriga personer kan du förlora kontrollen över elverktyget.

#### 2) ELEKTRISK SÄKERHET

- Elverktygets stickpropp måste passa till vägguttaget. Stickproppen får absolut inte förändras. Använd inte adapterkontakter tillsammans med skyddsjordade elverktyg.** Oförändrade stickproppar och passande vägguttag reducerar risken för elektriskt slag.
- Undvik kroppskontakt med jordade ytor som t. ex. rör, värmeelement, spisar och kylskåp.** Det finns en större risk för elektriskt slag om din kropp är jordad.
- Skydda elverktyget mot regn och väta.** Tränger vatten in i ett elverktyg ökar risken för elektriskt slag.
- Missbruka inte nätsladden och använd den inte för att bära eller hänga upp elverktyget och inte heller för att dra stickproppen ur vägguttaget. Håll nätsladden på avstånd från värme, olja, skarpa**

- kanter och rörliga maskindelar. Skadade eller tilltrasslade ledningar ökar risken för elektriskt slag.
- e) När du arbetar med ett elverktyg utomhus använd endast förlängningssladdar som är godkända för utomhusbruk. Om en lämplig förlängningssladd för utomhusbruk används minskar risken för elektriskt slag.
- f) Använd en jordfelsbrytare om det inte är möjligt att undvika elverktygets användning i fuktig miljö. Genom att använda en jordfelsbrytare minskas risken för elstöt.
- ### 3) PERSONSÅKERHET
- a) Var uppmärksam, kontrollera vad du gör och använd elverktyget med förnuft. Använd inte elverktyget när du är trött eller om du är påverkad av droger, alkohol eller mediciner. Under användning av elverktyg kan även en kort uppmärksamhet leda till allvarliga kroppsskador.
- b) Bär alltid personlig skyddsutrustning och skyddsglasögon. Användning av personlig skyddsutrustning som t. ex. dammfiltermask, halkfria säkerhetsskor, skyddshjälm och hörselskydd reducerar alltefter elverktygets typ och användning risken för kroppsskada.
- c) Undvik oavsiktlig igångsättning. Kontrollera att elverktyget är fränkopplat innan du ansluter stickproppen till vägguttaget och/eller ansluter/tar bort batteriet, tar upp eller bär elverktyget. Om du bär elverktyget med fingret på strömställaren eller ansluter påkopplat elverktyg till nätströmmen kan olycka uppstå.
- d) Ta bort alla inställningsverktyg och skruvnycklar innan du kopplar på elverktyget. Ett verktyg eller en nyckel i en roterande komponent kan medföra kroppsskada.
- e) Överskatta inte din förmåga. Se till att du står stadigt och håller balansen. I detta fall kan du lättare kontrollera elverktyget i oväntade situationer.
- f) Bär lämpliga kläder. Bär inte löst hängande kläder eller smycken. Håll håret och kläderna på avstånd från de rörliga delarna. Löst hängande kläder, smycken och långt hår kan dras in av roterande delar.
- g) Vid elverktyg med dammutsugnings- och -uppsamlingsutrustning kontrollera att anordningarna är rätt monterade och används på korrekt sätt. Användning av dammutsugning minskar de risker damm orsakar.
- h) Låt inte vanan att ofta använda verktygen göra att du blir slarvig och ignorerar verktygets säkerhetsprinciper. En vårdslös åtgärd kan leda till allvarlig personskada inom bråkdelen av en sekund.
- ### 4) OMSORGSFULL HANTERING OCH ANVÄNDNING AV ELVERKTYG
- a) Överbelasta inte elverktyget. Använd för aktuellt arbete avsett elverktyg. Med ett lämpligt elverktyg kan du arbeta bättre och säkrare inom angivet effektområde.
- b) Ett elverktyg med defekt strömställare får inte längre användas. Ett elverktyg som inte kan kopplas in eller ur är farligt och måste repareras.
- c) Dra stickproppen ur vägguttaget och/eller ta bort batteriet, om det kan tas ut ur elverktyget, innan inställningar utförs, tillbehörsdelar byts ut eller elverktyget lagras. Denna skyddsåtgärd förhindrar oavsiktlig inkoppling av elverktyget.

- d) Förvara elverktygen oåtkomliga för barn. Låt elverktyget inte användas av personer som inte är förtrogna med dess användning eller inte läst denna anvisning. Elverktygen är farliga om de används av oerfarna personer.
- e) Underhåll elverktyg och tillbehör omsorgsfullt. Kontrollera att rörliga komponenter fungerar felfritt och inte kärvar, att komponenter inte brustit eller skadats; orsaker som kan leda till att elverktygets funktioner påverkas menligt. Låt skadade delar repareras innan elverktyget återanvänds. Många olyckor orsakas av dåligt skötta elverktyg.
- f) Håll skärverktygen skarpa och rena. Omsorgsfullt skötta skärverktyg med skarpa eggar kommer inte så lätt i kläm och går lättare att styra.
- g) Använd elverktyget, tillbehör, insatsverktyg osv. enligt dessa anvisningar. Ta hänsyn till arbetsvillkoren och arbetsmomenten. Används elverktyget på icke ändamålsenligt sätt kan farliga situationer uppstå.
- h) Håll handtag och greppytor torra, rena och fria från olja och fett. Hala handtag och greppytor ger ingen säker hantering och kontroll över verktyget i oväntade situationer.
- ### 5) SERVICE
- a) Låt elverktyget repareras endast av kvalificerad fackpersonal och med originalreservdelar. Detta garanterar att elverktygets säkerhet upprätthålls.

### SÅKERHETSANVISNINGAR FÖR ÖVERFRÅSER

- Håll elverktyget i det isolerade greppet eftersom saxen kan komma i kontakt med elsladden (om en strömförande sladd skadas kan metalldelar i elverktyget också bli strömförande, vilket kan ge användaren en elektrisk stöt)
- Använd klämmor eller något annat praktiskt sätt att säkra och stötta arbetsstycket mot en stabil plattform (om du håller arbetsstycket i handen eller mot kroppen blir det instabilt, vilket kan leda till att du tappar kontrollen)

### ALLMÄNT

- Den här maskinen ska inte användas av personer under 16 år
- Dra alltid ur stickkontakten från vägguttaget innan du gör någon justering eller byter tillbehör

### TILLBEHÖR

- SKIL kan endast garantera att maskinen fungerar felfritt om originaltillbehör används
- Använd endast tillbehör vilkas tillåtna varvrat åtminstone motsvarar maskinens högsta tomgångsvarvrat
- Använd inte skadade eller deformerade fräs
- Använd endast skarpa fräs
- Skydda tillbehören från slag, stötar och fett
- Använd alltid en fräs, som är gjord av snabbstål, eller en hårdmetallfräs till denna maskin

### FÖRE ANVÄNDNINGEN

- Undvik skador genom att ta bort skruvar, spikar eller andra föremål ur arbetsstycket; ta dem bort innan du startar ett arbete
- Kontrollera alltid att den tillförda strömmen stämmer med spänningen som anges på maskinens märkplåt
- Asbesthaltigt material får inte bearbetas (asbest anses vara cancerframkallande)

- Spänn inte fast maskinen i ett städ
- Använd helt utrullade och säkra förlängningsladdar med kapacitet på 16 A
- Ljudnivån vid arbete kan överskrida 85 dB(A); använd hörselskydd
- Viss typ av damm, exempelvis färg som innehåller bly, vissa träsorter, mineraler och metaller kan vara hälsovådliga om de inhaleras (hudkontakt eller inhalering kan ge allergisk reaktion och/eller luftvägsproblem/sjukdom hos personer i närheten); **använd andningsskydd och arbeta med en dammuppsamlare om sådan anslutning finns**
- Vissa typer av damm är klassificerade så som carcinogena (t.ex. ek- och björkdamm) särskilt i kombination med tillsatser för träbehandling; **använd andningsskydd och arbeta med en dammuppsamlare om sådan anslutning finns**
- Följ de nationella krav, som finns angående damm, för de material du skall arbeta med
- Se till att maskinen är avstängt innan du sätter i kontakten

#### UNDER ANVÄNDNINGEN

- Håll alltid sladden på säkert avstånd från rörliga maskindelar; för sladden bakåt bort från maskinen
- Använd ej maskinen om botten R ② (= skyddsmekanismen) är trasig; låt den byta ut av en kvalificerad person
- Använd aldrig verktyget om sladden är skadad; den måste bytas mot en särskilt utformad sladd som finns via serviceorganisationen.
- Håll händer och fingrar borta från fräsen när maskinen är igång
- Överskrid aldrig maximalfräsdjupet av fräsen vid fräsning
- I händelse av onormala elektriska eller mekaniska störningar, stäng genast av maskinen och dra ur stickkontakten
- Om fräsen blockeras så att maskinen utsätts för ryckande krafter, måste maskinen genast stängas av
- Om det blir strömavbrott eller kontakten dras ut av misstag stäng genast av maskinen för att förhindra att det startar igen oavsiktligt
- Utöva inte så mycket tryck på maskinen att den stannar

#### EFTER ANVÄNDNINGEN

- Lossa spaken J ② efter avslutat arbete och återför maskinen till övre utgångsläget för att sedan fränkoppla den

#### FÖRKLARING AV SYMBOLERNA PÅ VERKTYGET

- ③ Läs bruksanvisningen före användning
- ④ Dubbel isolering (ingen jordning krävs)
- ⑤ Maskinen får inte kastas i hushållsoporna

## ANVÄNDNING

- Montering/borttagning av fräs ⑥  
**! stäng av maskinen och dra ut kontakten**  
**! se till att fräsens axel är ordentligt ren**  
**! kontrollera att spänntångens storlek (6 mm, 6,35 mm, 8 mm) motsvarar storleken på fräsens skaft**  
 - vänd maskinen upp och ned  
 - lås axeln genom att trycka på axellåset A (vrid på spännmuttern B, om nödvändigt) och håll kvar medan Du  
**FÖR MONTERING:**  
 - lossa spännmuttern B med nyckeln C  
 - sätt i biten med lite utrymme x i chucken ⑦  
 - dra åt spännmuttern ordentligt med nyckeln C

- frigör axellåset A  
**FÖR BORTTAGNING:**

- lossa spännmuttern B med nyckeln C
- ta ut fräsen
- frigör axellåset A
- ! när överfräsen ska lossas kan det vara nödvändigt att knacka på dess övre del med en hammare och träbit för att skydda fräsen**
- ! dra aldrig åt spännmuttern när det inte sitter fräs i spänntången; spänntången kan skadas**
- Byte av chucken ⑦  
**! stäng av maskinen och dra ut kontakten**  
**! se till att spänntångens axel är ordentligt ren**  
 - lossa spännmuttern B med ett par varv  
 - knacka på spännmuttern B med nyckeln C  
 - ta ut spännmuttern B och spänntången (lås axeln)  
 - vänd maskinen upp och ned  
 - sätt in en ny spänntång i spänntångens axeln  
 - montera spännmuttern B (lås axeln)  
**! dra aldrig åt spännmuttern när det inte sitter fräs i spänntången; spänntången kan skadas**
- Justering av fräsdjup ⑧  
**! stäng av maskinen och dra ut kontakten**  
 - ställ in finjusteringen till dess mittläge genom att vrida knappen E helt åt ena hållet, sedan vrida tillbaka den 4 hela varv och ställa in skalan F till 0 ⑧a  
 - rotera revolversockeln G så att dess lägsta position klickar på plats alldeles under djupmättet D (för nollställning) ⑧b  
 - lossa knappen H så att djupmättet D faller på djupstoppet-revolversockeln G ⑧b  
 - lägg upp maskinen på arbetsstycket  
 - lossa låsspaken J ⑧c  
 - tryck ner maskinen tills fräsen kommer i kontakt med arbetsmaterialet ⑧d  
 - släpp och dra åt låsspaken J ⑧e  
 - flytta djupskalan AC till 0 mm ⑧f  
 - höj djupmättet D lika många mm som önskat fräsdjup och dra åt knappen H ⑧f  
 - lossa låsspaken J och styr maskinen uppåt igen  
 - använd finjusteringsknappen E för att ställa in fräsdjupet mer exakt (0...±8 mm); markeringarna på skalan F motsvarar 0.1 mm, 1 helt varv motsvarar 2.0 mm  
 - med djupstoppet/revolversockeln G kan fräsdjupet öka med respektive steg (rekommenderas för djup sågning)  
**! justera om fräsdjupet efter byte av fräsborr**
- Hastighetskontroll ⑨  
 För optimala fräsresultat på olika material  
 - välj varvtal för fräsningen med ratten K (även medan maskinen går)  
 - använd tabell ⑩ som referens för att avgöra rätt varvtal  
 - pröva dig fram på en överbliven bit material innan du påbörjar ett arbete för att komma fram till bäst varvtal  
**! om du har arbetat vid lågt varvtal under längre perioder ska du få verktyget att svalna genom att köra det på hög temperatur i ca 3 minuter utan belastning**
- Lysdiodlampa AD ⑪  
 - Lysdiodlampan AD tänds automatiskt när avbrytaren M aktiveras
- Dammuppsugning  
 - monter dammsugartillbehör L enligt bilden ⑫a

- anslut dammsugarlangen til dammsugaradaptern L <sup>(12)</sup>b
- Användning av maskinen <sup>(13)</sup>
  - ! **håll alltid maskinen stadigt med båda händerna**
  - ! **under arbetet, håll alltid verktyget i det grå greppet**
  - lägg upp maskinen på arbetsstycket
  - starta maskinen genom att först trycka in knappen N (= säkerhetsströmbrytare som ej kan låsas) och därefter avtryckaren M
  - ! **innan fräsen sätts till arbetsstycket skall maskinen ha uppnått full hastighet**
  - lossa låsspaken J och tryck långsamt ned maskinen tills djupmätet D når djupstoppet-revolversockeln G
  - dra åt låsspaken J
  - fräs med jämn matningshastighet
  - håll maskinen med bottenplattan plant utmed arbetsstycket
  - som en generell regel skall man dra åt handöverfräsen, ej skjuta ifrån den
  - lossa spaken J efter avslutat arbete och återför maskinen till övre utgångsläget
  - släpp avtryckaren M
- Lämplig styrning <sup>(14)</sup>
  - tänk på att fräsen roterar medurs
  - för maskinen så att fräsen roterar in mot arbetsstycket inte ifrån det
- Montering av adapterplattan P (för kopiering med en styrhylsa) <sup>(15)</sup>
- Montering av parallellanslag Q <sup>(16)</sup>
  - för in parallellanslag båda stag Y genom hålen på bottenplattan R
  - skjut parallellanslaget till önskad bredd och fäst det med de 2 rattarna Z
- Använda parallellanslaget som cirkelgejd <sup>(17)</sup>
  - ! **backa parallellanslaget först**
  - fäst stiftet AA med muttern AB enligt bilden
  - för in styrtapparna Y i bottenplattan R
  - sätt i stiftet AA i centrummärket i cirkelbågen
  - fäst parallellanslaget med de 2 rattarna Z
  - mata maskinen med jämn hastighet över arbetsstycket
- Använda parallellanslaget med kurvbufferten W <sup>(18)</sup>
  - montera kurvbufferten W (med monterad rulle) enligt bilden
  - för maskinen längs arbetsstyckets kant med lätt sidledes tryck

## ANVÄNDNINGSTIPS

- Vid fräsning parallellt med kanten på ditt arbetsmaterial använd sidoanslag
- Vid fräsning parallellt långt ifrån kanten på ditt arbetsmaterial <sup>(13)</sup>
  - sätt fast en rak träbit på arbetsmaterialet med 2 tvingar
  - sätt maskinen med bottenplattan längs kanten på träbiten, vilken nu fungerar som ett sidoanslag
- Vid användning av fräs med styrtapp eller kullager skall styrtappen eller kullager föras utmed kanten på arbetsstycket vilket skall vara alldeles slätt <sup>(19)</sup>
- För större fräsdjup rekommenderas flera fräsningar i följd med mindre spånavverkning var
- Besök [www.skil.com](http://www.skil.com) för mer information

## UNDERHÅLL / SERVICE

- Det här verktyget är inte avsedd för yrkesmässig användning
- Håll alltid din maskin och sladden ren (speciellt ventilationsöppningarna S <sup>(2)</sup>)
- Smörj glidskenan T <sup>(2)</sup> regelbundet
- Om i elverktyget trots exakt tillverkning och sträng kontroll störning skulle uppstå, bör reparation utföras av auktoriserad serviceverkstad för SKIL elverktyg
  - sänd in verktyget i **odemonterat skick** tillsammans med inköpsbevis till försäljaren eller till närmaste SKIL serviceverkstad (adresser till servicestationer och sprängskisser av maskiner finns på [www.skil.com](http://www.skil.com))
- Observera att skada till följd av ovarsamhet eller överbelastning inte täcks av garantin (för SKIL garantivillkor gå till [www.skil.com](http://www.skil.com) eller fråga återförsäljaren)

## MILJÖ

- **Elektriska verktyg, tillbehör och förpackning får inte kastas i hushållssoporna** (gäller endast EU-länder)
  - enligt direktivet 2012/19/EG som avser äldre elektrisk och elektronisk utrustning och dess tillämpning enligt nationell lagstiftning ska uttjänta elektriska verktyg sorteras separat och lämnas till miljövänlig återvinning
  - symbolen <sup>(5)</sup> kommer att påminna om detta när det är tid att kassera

## LJUD / VIBRATION

- Det här verktygets ljudtrycksnivå som mätts enligt EN 60745 är 91,0 dB(A), ljudeffektnivån är 102,0 dB(A) (osäkerhet K = 3 dB) och vibrationen 4,5 m/s<sup>2</sup> (triax vektorsumma; osäkerhet K = 1,5 m/s<sup>2</sup>)
- Vibrationsemissionsvärdet har uppmätts enligt ett standardiserat test i enlighet med EN 60745; detta värde kan användas för att jämföra vibrationen hos olika verktyg och som en ungefärlig uppskattning av hur stor vibration användaren utsätts för när verktyget används enligt det avsedda syftet
  - om verktyget används på ett annat än det avsedda syftet eller med fel eller dåligt underhållna tillbehör kan detta drastiskt **öka** vibrationsnivån
  - när verktyget stängs av eller är på men inte används, kan detta avsevärt **minska** vibrationsnivån
- ! **skydda dig mot vibration genom att underhålla verktyget och dess tillbehör, hålla händerna varma och styra upp ditt arbetssätt**

DK

## Overfræser

1860

## INLEDNING

- Værktøjet er beregnet til fræsning af noter, kanter, profiler og lange huller i træ, kunststof og lette byggematerialer og til kopifræsning
- Dette værktøj er ikke beregnet til professionelt brug
- Læs og gem denne betjeningsvejledning <sup>(3)</sup>

## TEKNISKE DATA <sup>(1)</sup>

## VÆRKTØJETS DELE ②

A	Aksellåse
B	Spændetangens møtrik
C	Nøgle
D	Dybdestop
E	Finjusteringsknap
F	Finjusteringsskala
G	Dybdestop-revolversokle
H	Justeringsknap (dybdestop)
J	Låsearm
K	Hastighedsvalgshjul
L	Støvsugeradaptare
M	Udløser on/off
N	Sikkerhedsafbryder
P	Adapterplade
Q	Sidestyr
R	Bundplade
S	Ventilationshuller
T	Glideskinne
V	Beskyttelsesdæksel
W	Kurvebuffer
Y	Sidestyrets flanger
Z	Knap til justering af save-gærde
AA	Sidestyrets stift
AB	Parallelstyrmøtrik
AC	Dybdestyr
AD	LED-lys

## SIKKERHED

### GENERELLE SIKKERHEDSINSTRUKSER FOR EL-VÆRKTØJ

**⚠ ADVARSEL** Læs alle sikkerhedsadvarsler, instruktioner, illustrationer og specifikationer, der leveres med dette elektriske værktøj. Hvis alle instruktioner opført herunder ikke følges, kan det medføre elektrisk stød, brand og/eller alvorlige kvæstelser.

### Gem alle advarsler og instruktioner til senere brug.

Begrebet "elværktøj" i advarslerne refererer til elværktøj, der kører på lysnettet (med netkabel) samt batteridrevet værktøj (uden netkabel).

#### 1) SIKKERHED PÅ ARBEJDSPLADSEN

- Sørg for, at arbejdsområdet er rent og ryddeligt.** Uorden eller uoplyste arbejdsområder øger faren for ulykke.
- Brug ikke elværktøjet i eksplosionstruede omgivelser, hvor der er brændbare væsker, gasser eller støv.** Elværktøj kan slå gnister, der kan antænde støv eller dampe.
- Sørg for, at andre personer og ikke mindst børn holdes væk fra arbejdsområdet, når el-værktøjet er i brug.** Hvis man distraheres, kan man miste kontrollen over elværktøjet.

#### 2) ELEKTRISK SIKKERHED

- Elværktøjets stik skal passe til kontakten. Stikket må under ingen omstændigheder ændres. Brug ikke adapterstik sammen med jordforbundet elværktøj.** Uændrede stik, der passer til kontakterne, nedsætter risikoen for elektrisk stød.

- Undgå kropskontakt med jordforbundne overflader som f.eks. rør, radiatorer, komfurer og køleskabe.** Hvis din krop er jordforbundet, øges risikoen for elektrisk stød.
  - Elværktøjet må ikke udsættes for regn eller fugt.** Indtrængning af vand i et elværktøj øger risikoen for elektrisk stød.
  - Brug ikke ledningen til formål, den ikke er beregnet til. Du må aldrig bære elværktøjet i ledningen, hænge elværktøjet op i ledningen eller rykke i ledningen for at trække stikket ud af kontakten. Beskyt ledningen mod varme, olie, skarpe kanter eller maskindele, der er i bevægelse.** Beskadigede eller indviklede ledninger øger risikoen for elektrisk stød.
  - Hvis elværktøjet benyttes i det fri, må der kun benyttes en forlængerledning, der er egnet til udendørs brug.** Brug af forlængerledning til udendørs brug nedsætter risikoen for elektrisk stød.
  - Hvis det ikke kan undgås at bruge elværktøjet i fugtige omgivelser, skal der bruges et HFI-relæ.** Brug af et HFI-relæ reducerer risikoen for at få elektrisk stød.
- #### 3) PERSONLIG SIKKERHED
- Det er vigtigt at være opmærksom, se, hvad man laver, og bruge el-værktøjet fornuftigt. Brug ikke noget el-værktøj, hvis du er træt, har nydt alkohol eller er påvirket af medikamenter eller euforiserende stoffer.** Få sekunders uopmærksomhed ved brug af el-værktøjet kan føre til alvorlige personskader.
  - Brug beskyttelsesudstyr og hav altid beskyttelsesbriller på.** Brug af sikkerhedsudstyr som f.eks. støvmaske, skridsikert fodtøj, beskyttelseshjelm eller høreværn afhængig af maskintype og anvendelse nedsætter risikoen for personskader.
  - Undgå utilsigtet igangsætning. Kontrollér, at el-værktøjet er slukket, før du tilslutter det til strømtilførslen og/eller akkuen, løfter eller bærer det.** Undgå at bære el-værktøjet med fingrene på afbryderen og sørg for, at el-værktøjet ikke er tændt, når det slutes til nettet, da dette øger risikoen for personskader.
  - Gør det til en vane altid at fjerne indstillingsværktøj eller skrue-nøgle, før el-værktøjet tændes.** Hvis et stykke værktøj eller en nøgle sidder i en roterende maskindel, er der risiko for personskader.
  - Undgå en unormal legemssposition. Sørg for at stå sikkert, mens der arbejdes, og kom ikke ud af balance.** Dermed har du bedre muligheder for at kontrollere el-værktøjet, hvis der skulle opstå uventede situationer.
  - Brug egnet arbejdstøj. Undgå løse beklædningsgenstande eller smykker. Hold hår og tøj væk fra dele, der bevæger sig.** Dele, der er i bevægelse, kan gribe fat i løstsiddende tøj, smykker eller langt hår.
  - Hvis støvsugnings- og opsamlingsudstyr kan monteres, er det vigtigt, at dette tilsluttes og benyttes korrekt.** Brug af en støvsugning kan reducere støvmængden og dermed den fare, der er forbundet med støv.
  - Selvom du kender værktøjet godt og er vant til at bruge det, skal du alligevel være opmærksom og overholde sikkerhedsanvisningerne.** Et øjeblikvis uopmærksomhed kan medføre alvorlige personskader.

#### 4) OMHYGGELIG OMGANG MED OG BRUG AF EL-VÆRKTØJ

- a) **Undgå overbelastning af el-værktøjet. Brug altid et el-værktøj, der er beregnet til det stykke arbejde, der skal udføres.** Med det passende el-værktøj arbejder man bedst og mest sikkert inden for det angivne effektområde.
  - b) **Brug ikke et el-værktøj, hvis afbryder er defekt.** Et el-værktøj, der ikke kan startes og stoppes, er farlig og skal repareres.
  - c) **Træk stikket ud af stikkontakten og/eller fjern akkuen, hvis den er aftagelig, før maskinen indstilles, før skift af tilbehørsdele eller før el-værktøjet lægges til opbevaring.** Disse sikkerhedsforanstaltninger forhindrer utilsigtet start af el-værktøjet.
  - d) **Opbevar ubenyttet el-værktøj uden for børns rækkevidde.** Lad aldrig personer, der ikke er fortrolige med el-værktøjet eller ikke har gennemlæst disse instrukser, benytte el-værktøjet. El-værktøj er farligt, hvis det benyttes af ukundige personer.
  - e) **Vedligehold el-værktøj og tilbehørsdele. Kontroller, om bevægelige maskindele fungerer korrekt og ikke sidder fast, og om delene er brækket eller beskadiget, således at el-værktøjets funktion påvirkes. Få beskadigede dele repareret, inden el-værktøjet tages i brug.** Mange uheld skyldes dårligt vedligeholdte el-værktøjer.
  - f) **Sørg for, at skæreværktøjer er skarpe og rene.** Omhyggeligt vedligeholdte skæreværktøjer med skarpe skærekanter sætter sig ikke så hurtigt fast og er nemmere at føre.
  - g) **Brug el-værktøj, tilbehør, indsatsværktøj osv. iht. disse instrukser. Tag hensyn til arbejdsforholdene og det arbejde, der skal udføres.** Anvendelse af el-værktøjet til formål, som ligger uden for det fastsatte anvendelsesområde, kan føre til farlige situationer.
  - h) **Hold håndtag og gribeblader tørre, rene og fri for olie og smørefedt.** Hvis håndtag og gribeblader er glatte, kan værktøjet ikke håndteres og styres sikkert, hvis der sker noget uventet.
- 5) SERVICE
- a) **Sørg for, at el-værktøj kun repareres af kvalificerede fagfolk og at der kun benyttes originale reservedele.** Dermed sikres størst mulig maskinsikkerhed.

#### SIKKERHEDSINSTRUKSER FOR OVERFRÆSER

- **Hold elværktøjet i de isolerede greb, fordi skæreren kan berøre sin egen ledning** (hvis der slibes i et "levende" kabel, kan det gøre udsatte metaldele på elværktøjet "levende" og kan give operatøren elektrisk stød)
- **Brug klemmer eller en anden praktisk måde til at fastgøre og støtte arbejdsemnet på en stabil platform** (hvis du holder arbejdsemnet i hånden eller mod kroppen, kan du miste kontrol over værktøjet)

#### GENERELT

- Dette værktøj må ikke bruges af personer under 16 år
- Fjern altid først stikket fra kontakten, førend De foretager nogle ændringer eller skifter tilbehør

#### TILBEHØR

- SKIL kan kun sikre en korrekt funktion af værktøjet, hvis der benyttes originalt tilbehør
- Der må kun benyttes tilbehør, hvis godkendte omdrejningstal er mindst så højt som værktøjets max. omdrejningstal i ubelastet tilstand
- Anvend aldrig beskadigede eller deformationerede fræsejern
- Anvend kun skarpe fræsejern
- Beskyt tilbehør mod slag, stød og fedt
- Brug altid hårdmetal fræsejern eller fræsejern der er lavet af HSS stål til denne værktøj

#### INDEN BRUG

- Undgå skader forårsaget af skruer, søm eller andre materialer i arbejdsstykket; fjern disse før De begynder at arbejde
- Kontrollér altid at forsyningsspændingen er den samme som den spænding, der er anført på værktøjets navneskilt
- **Bearbejd ikke asbestholdigt materiale** (asbest er kræftfremkaldende)
- Spænd ikke værktøjet fast i en skruestik
- Anvend helt udrullede og sikre forlængerledninger med en kapacitet på 16 A
- Under arbejde med værktøjet kan lydniveauet overstige 85 dB(A); brug høreværn
- Støv fra materiale som f.eks. maling, der indeholder bly, nogle træsorter, mineraler og metal kan være skadeligt (kontakt med eller indånding af støvet kan forårsage allergiske reaktioner og/eller sygdomme i luftvejene hos den, der anvender værktøjet, eller hos omkringstående); **bær en støvmaske og arbejd med en støvsugningsanordning, hvor en sådan kan sluttes til**
- Visse slags støv er klassificeret som kræftfremkaldende (som f.eks. støv fra eg og bøg) især i forbindelse med tilsætningsstoffer til træbehandling; **bær en støvmaske og arbejd med en støvsugningsanordning, hvor en sådan kan sluttes til**
- Følg de nationale krav, hvad angår støv, for de materialer, du ønsker at arbejde med
- Sørg for at der er slukket for værktøjet, når stikket sættes i stikkontakten

#### UNDER BRUG

- Hold altid ledningen væk fra værktøjets bevægelige dele; før altid ledningen bagud, væk fra værktøjet
- Brug ikke værktøjet, hvis sålen R ② (= beskyttelsesskærmen) er beskadiget; få det skiftet ud af en anerkendt fagmand
- Anvend aldrig værktøjet, hvis ledningen er beskadiget. Den skal udskiftes med en specielt forberedt ledning, der kan fås gennem kundeservice.
- Hold hænder og fingre væk fra fræsejernet, mens fræseren er tilsluttet stikkontakten
- Overskrid aldrig maximumfræsedybden af fræsejernet ved fræsning
- I tilfælde af elektrisk eller mekanisk fejlfunktion skal afbryderen straks afbrydes og stikket tages ud af kontakten
- Hvis fræsejernet bliver blokeret, hvilket medfører rykkende kræfter på værktøjet, skal man omgående slukke for værktøjet
- I tilfælde af strømafbrydelse eller når stikket ved et uheld trækkes ud af stikkontakten, skal man omgående slukke for værktøjet for at forhindre utilsigtet start
- Påfør ikke så meget tryk på værktøjet, at det standser



## EFTER BRUG

- Når arbejdet er færdigt, løsn armen J ②, og før værktøjet tilbage til den øverste udgangsposition, før det slukkes

## FORKLARING TIL SYMBOLERNE PÅ VÆRKTØJET

- ③ Læs instruktionen inden brugen
- ④ Dobbelt isolering (jordforbindelse unødvendig)
- ⑤ Værktøj må ikke bortskaffes som almindeligt affald

## BETJENING

- Montering/aftagning af fræsejern ⑥
  - ! **sluk værktøjet og træk stikket ud af stikkontakten**
  - ! **vær sikker på, at fræsejernets aksel er renset for alle urenheder**
  - ! **vær sikker på, at spændetang (6 mm, 6,35 mm, 8 mm) størrelse passer med fræsejernets akselmål**

- vend værktøjet på hovedet
- bloker akslen ved at trykke på låsen A (drej spændetang møtrikken B, om nødvendigt) og hold den medens De

### VED MONTERING:

- løsner spændetang møtrik B med nøglen C
- isæt en bit med lidt afstand x i spændetangen ⑦
- fastgør spændetang møtrikken med nøglen C
- slip låsen A

### VED AFTAGNING:

- løsner spændetang møtrik B med nøglen C
- aftager fræsejernet
- slip låsen A

- ! **For at løse et fræsejern kan det være nødvendigt at banke foroven på fræsejernet med en hammer og et stykke træ for at beskytte jernet**

- ! **spænd aldrig spændetang møtrikken, hvis der ikke er noget fræsejern i spændetangen; spændetangen vil blive ødelagt**

- Udskiftning af spændetanger ⑦
  - ! **sluk værktøjet og træk stikket ud af stikkontakten**
  - ! **vær sikker på, at spændetangs aksel er renset for alle urenheder**

- løsn spændetang møtrikken B 2 eller 3 omgange
- bank let på spændetang møtrikken B med nøglen C
- aftag spændetang møtrikken B og spændetangen (bloker akslen)
- vend værktøjet på hovedet
- isæt den nye spændetang i spændetangsakslen
- monter spændetang møtrik B (bloker akslen)

- ! **spænd aldrig spændetang møtrikken, hvis der ikke er noget fræsejern i spændetangen; spændetangen vil blive ødelagt**

- Justering af fræsedybden ⑧
  - ! **sluk værktøjet og træk stikket ud af stikkontakten**

- indstil finjusteringen til midterpositionen ved at dreje knappen E helt ind, og skru den derefter 4 fulde omgange ud, og sæt skalaen F på 0 ⑧a
- drej revolversocklen G, så dens højeste position klikker på plads lige under dybdemålet D (for nulstilling) ⑧b
- løsn spændeskruen H, så dybdemålet D falder ned på dybdestop-revolversocklen G ⑧b
- placér værktøjet på arbejdsemnet
- løsn låsearm J ⑧c
- tryk ned indtil fræsejernet er i kontakt med arbejdsstykket ⑧d
- udløs og stram låsearmen J ⑧e

- bevæg dybdestyret AC til 0 mm ⑧f
- flyt dybdemålet D så mange millimeter som den ønskede fræsedybde, og stram knap H ⑧f
- løsn låsearm J og før værktøjet tilbage og op igen
- brug finjusteringsknappen E til at indstille fræsedybden mere præcist (0...±8 mm). Mærkerne på skalaen F passer med 0,1 mm, 1 fuld omdrejning svarer til 2,0 mm
- med dybdestoprevolversoklen G kan fræsedybden øges trinvis (anbefalet til dybe savninger)
- ! **indstil fræsedybden igen, når du har ændret fræsejern**

- Hastighedskontrol ⑨
  - For optimale fræsningsresultater på forskellige materialer - vælg fræsningshastigheden med hjulet K (også mens værktøjet kører)
  - brug tabel ⑩ som reference for at bestemme den rigtige fræsningshastighed
  - inden et arbejde på begynder, skal man finde den optimale hastighed ved at foretage en prøve på noget ekstra materiale

- ! **efter længere perioder med arbejde på lav hastighed skal man lade værktøjet køle af ved at køre det i ca. 3 minutter på høj hastighed uden belastning**

- LED-lys AD ⑪
  - LED-lampen AD tændes automatisk, når der trykkes på udløseren M
- Støvsugning
  - monter støvsugeradapter L som angivet ⑫a
  - slut støvsugerslangen til støvsugeradapteren L ⑫b
- Betjening af værktøjet ⑬

- ! **hav altid et solidt greb på værktøjet med begge hænder**

- ! **under arbejde, hold altid om værktøjet på de grå markerede grebsområde(r)**

- placér værktøjet på arbejdsemnet
- start Deres værktøj ved først at trykke knappen N (= sikkerhedsafbryder, som ikke kan låses) ind og derefter træk på afbryder M

- ! **lad værktøjet køre på fuld kraft før fræsejern berører arbejdsemnet**

- løsn låsearm J og tryk værktøjet langsomt nedad, til dybdemålet D berører dybdestop-revolversocklen G
- stram låsearm J

- udfør fræsearbejdet med jævn fart
- sørg for, at værktøjets sål altid er i fuld kontakt med materialet

- man bør normalt trække værktøjet imod sig og ikke skubbe den

- når arbejdet er færdigt, løsn armen J og før værktøjet tilbage til den øverste udgangsposition
- giv slip på aftrækkeren M

- Rigtige styring ved forskellige udræsninger ⑭
  - husk at fræsejernet drejer samme vej som uret
  - før fræsere rundt i emnet, så fræsejernet drejer sig ind i materialet og ikke ud af det

- Montering af holde plade P (ved kopiering efter en master) ⑮

- Montering af sidestyrt Q ⑯
  - isæt sidestyrets flanger Y i hullerne i sålen R
  - justér sidestyret til den ønskede indstilling og fastspænd med de 2 knapper Z

- Brug af sidestyret som rundstyr <sup>17</sup>  
**! vend først sidestyret om**
  - fastgør bolten AA med møtrikken AB som vist
  - sæt støtterne Y ind i sålen R
  - stik stiften AA ind i kirkelbuens afmærkede centrum
  - fastspænd sidestyret med de 2 knapper Z
  - før værktøjet konsekvent frem over arbejdsområdet
- Brug af sidestyret med kurvebufferen W <sup>18</sup>
  - monter kurvebufferen W (med styrerullen monteret) som vist
  - før værktøjet langs arbejdsområdets kant med et let sidelæns tryk

## GODE RÅD

- Til parallel fræsning ved kanten af arbejdsstykket anvendes sidestyret
- Ved parallel fræsning på arbejdsstykket med stor afstand til kanten <sup>13</sup>
  - fastspænd et lige stykke træ på arbejdsstykket ved hjælp af 2 tvinger
  - styr værktøjet med sålen langs kanten af træstykket der nu fungerer som sidestyrt
- Når der benyttes fræsejern med en styretap eller et kugleleje, bør styretapperne eller kuglelejerne glide langs emnets kant, som bør være helt glat <sup>19</sup>
- Ved større fræsedybder anbefales det at udføre flere forebearbejdningsprocesser med mindre spånafgange
- Se yderligere oplysninger på [www.skil.com](http://www.skil.com)

## VEDLIGEHOLDELSE/SERVICE

- Dette værktøj er ikke beregnet til professionelt brug
- Hold værktøjet og ledningen ren (især ventilationshullerne S <sup>2</sup>)
- Smør glideskinnen T <sup>2</sup> en gang imellem
- Skulle elværktøjet trods omhyggelig fabrikation og kontrol skulle holde op med at fungere, skal reparationen udføres af et autoriseret serviceværksted for SKIL-elektroværktøj
  - send det **ikke adskilte** værktøj sammen med et købsbevis til forhandleren eller nærmeste SKIL-serviceværksted (adresser og reservedelstegning af værktøjet findes på [www.skil.com](http://www.skil.com))
- Husk, at beskadigelse som følge af overbelastning eller forkert håndtering af værktøjet ikke er omfattet af garantien (se [www.skil.com](http://www.skil.com) vedrørende SKIL-garantibetingelserne, eller spørg din forhandler)

## MILJØ

- **Elværktøj, tilbehør og emballage må ikke bortskaffes som almindeligt affald** (kun for EU-lande)
  - i henhold til det europæiske direktiv 2012/19/EF om bortskaffelse af elektriske og elektroniske produkter og gældende national lovgivning, skal brugt elværktøj indsamles separat og bortskaffes på en måde, der skåner miljøet mest muligt
  - symbolet <sup>5</sup> erindrer dig om dette, når udskriftning er nødvendig

## STØJ / VIBRATION

- Målt i henhold til EN 60745 er lydtryksniveauet for dette værktøj 91,0 dB(A) og lydeffektniveauet 102,0 dB(A) (usikkerhed K = 3 dB), og vibrationen 4,5 m/s<sup>2</sup> (triax vector sum; usikkerhed K = 1.5 m/s<sup>2</sup>)

- Vibrationsniveauet er målt i henhold til den standardiserede test som anført i EN 60745. Det kan benyttes til at sammenligne to stykker værktøj og som en foreløbig bedømmelse af udsættelsen for vibrationer, når værktøjet anvendes til de nævnte form
  - anvendes værktøjet til andre formål eller med andet eller dårligt vedligehold tilbehør, kan dette **øge** udsættelsesniveauet betydeligt
  - de tidsrum, hvor værktøjet er slukket, eller hvor det kører uden reelt at udføre noget arbejde, kan **reducere** udsættelsesniveauet betydeligt
- **! beskyt dig selv imod virkningerne af vibrationer ved at vedligeholde værktøjet og dets tilbehør, ved at holde dine hænder varme og ved at organisere dine arbejdsmønstre**

N

## Fres

1860

## INTRODUKSJON

- Dette værktøjet er bestemt for fresning af noter, kanter, profiler og langhull i træ, kunststoff og lette bygningmaterier samt for kopieringsfresning
- Dette værktøjet er ikke beregnet på professionel brug
- Les og ta vare på denne brukerveiledningen <sup>3</sup>

## TEKNISKE DATA <sup>1</sup>

## VERKTØYELEMENTER <sup>2</sup>

- A Spindellås
- B Chuck-mutter
- C Nøkkel
- D Dybdemåler
- E Finjusteringsknapp
- F Finjusteringskala
- G Dybdestopp-revolversokkel
- H Justeringsknott (dybdemåler)
- J Låsehendel
- K Hjul til hastighetsvalg
- L Støvsugeradapter
- M Av/på-bryter
- N Sikkerhetsbryter
- P Adapterplate
- Q Sidestiller
- R Bunnplate
- S Ventilasjonsåpninger
- T Glideskinner
- V Beskyttende deksel
- W Kurvebuffer
- Y Parallellanleggstag
- Z Knott for justering av sidestiller
- AA Pinne parallellanlegg
- AB Mutter parallellanlegg
- AC Dybdevisir
- AD LED-Lampe

## SIKKERHET

### GENERELLE ADVARSLER FOR ELEKTROVERKTØY

**⚠ ADVARSEL Les alle sikkerhetsadvarslar,**

**instruksjoner, illustrasjoner og spesifikasjoner som følger med dette elektroverktøyet.** Hvis du unnlater å følge noen av instruksjonene som er listet opp ovenfor, kan det føre til elektrisk støt, brann og/eller alvorlige personskader.

### Ta godt vare på alle advarslene og informasjonene.

Det nedenstående anvendte uttrykket "elektroverktøy" gjelder for strømndrevne (med ledning) og batteridrevne elektroverktøy (uten ledning).

#### 1) SIKKERHET PÅ ARBEIDSPLASSEN

- a) **Hold arbeidsområdet rent og ryddig.** Rotete arbeidsområder eller arbeidsområder uten lys kan føre til ulykker.
- b) **Ikke arbeid med elektroverktøyet i eksplosjonsfarlige atmosfærer – der det befinner seg brennbare væsker, gass eller støv.** Elektroverktøy lager gnister som kan antenne støv eller damper.
- c) **Hold barn og andre personer unna når elektroverktøyet brukes.** Hvis du blir forstyrret under arbeidet, kan du miste kontrollen over elektroverktøyet.

#### 2) ELEKTRISK SIKKERHET

- a) **Støpselet til elektroverktøyet må passe inn i stikkkontakten. Støpselet må ikke forandres på noen som helst måte. Ikke bruk adapterstøpsler sammen med jordede maskiner.** Bruk av støpsler som ikke er forandret på og passende stikkontakter reduserer risikoen for elektriske støt.
- b) **Unngå kroppskontakt med jordede overflater slik som rør, ovner, komfyrer og kjøleskap.** Det er større fare ved elektriske støt hvis kroppen din er jordet.
- c) **Hold elektroverktøyet unna regn eller fuktighet.** Dersom det kommer vann i et elektroverktøy, øker risikoen for elektriske støt.
- d) **Ikke bruk ledningen til andre formål, f.eks. til å bære elektroverktøyet, henge den opp eller trekke den ut av stikkkontakten. Hold ledningen unna varme, olje, skarpe kanter eller maskindeler som beveger seg.** Med skadede eller opphopede ledninger øker risikoen for elektriske støt.
- e) **Når du arbeider utendørs med et elektroverktøy, må du kun bruke en skjoteledning som er godkjent til utendørs bruk.** Når du bruker en skjoteledning som er egnet for utendørs bruk, reduseres risikoen for elektriske støt.
- f) **Hvis det ikke kan unngås å bruke elektroverktøyet i fuktige omgivelser, må du bruke en jordfeilbryter.** Bruk av en jordfeilbryter reduserer risikoen for elektriske støt.

#### 3) PERSONSIKKERHET

- a) **Vær oppmerksom, pass på hva du gjør, gå fornuftig frem når du arbeider med et elektroverktøy. Ikke bruk elektroverktøyet når du er trett eller er påvirket av narkotika, alkohol eller medikamenter.** Et øyeblikks uoppmerksomhet ved bruk av elektroverktøyet kan føre til alvorlige skader.
- b) **Bruk personlig verneutstyr og husk alltid å bruke vernebriller.** Bruk av personlig sikkerhetsutstyr som støvmaske, sklifaste arbeidssko, hjelm eller hørselvern – avhengig av type og bruk av elektroverktøyet – reduserer risikoen for skader.

- c) **Unngå å starte verktøyet ved en feiltagelse. Forviss deg om at elektroverktøyet er slått av før du kobler det til strømmen og/eller batteriet, løfter det opp eller bærer det.** Hvis du holder fingeren på bryteren når du bærer elektroverktøyet eller kobler elektroverktøyet til strømmen i innkoblet tilstand, kan dette føre til uhell.
  - d) **Fjern innstillingsverktøy eller skrunøkler før du slår på elektroverktøyet.** Et verktøy eller en nøkkel som befinner seg i en roterende maskindel, kan føre til skader.
  - e) **Ikke overvurder deg selv. Sørg for å stå stødig og i balanse.** Dermed kan du kontrollere elektroverktøyet bedre i uventede situasjoner.
  - f) **Bruk alltid egnet klær. Ikke bruk vide klær eller smykker. Hold hår og klær unna deler som beveger seg.** Løstsittende tøy, smykker eller langt hår kan komme inn i deler som beveger seg.
  - g) **Hvis det kan monteres støvavsug- og oppsamlingsinnretninger, må du forvise deg om at disse er tilkoblet og brukes på korrekt måte.** Bruk av et støvavsug reduserer faren på grunn av støv.
  - h) **Selv når du er blitt vant til verktøyet, må du ikke bli sløv og ignorere sikkerhetsreglene for verktøyet.** En uforsiktig handling kan forårsake alvorlig personskade i løpet av et brøkdel sekund.
- #### 4) AKTSOM HÅNTERING OG BRUK AV ELEKTROVERKTØY
- a) **Ikke overbelast elektroverktøyet. Bruk et elektroverktøy som er beregnet til den type arbeid du vil utføre.** Med et passende elektroverktøy arbeider du bedre og sikrer i det angitte effektområdet.
  - b) **Ikke bruk elektroverktøy med defekt på/avbryter.** Et elektroverktøy som ikke lenger kan slås av eller på, er farlig og må repareres.
  - c) **Trekk støpselet ut av stikkkontakten og/eller fjern batteriet (hvis demonterbart) før du utfører innstillinger på elektroverktøyet, skifter tilbehørsdeler eller legger elektroverktøyet bort.** Disse tiltakene forhindrer en utilsiktet startung av elektroverktøyet.
  - d) **Elektroverktøy som ikke er i bruk må oppbevares utilgjengelig for barn. Ikke la elektroverktøyet brukes av personer som ikke er fortløig med dette eller ikke har lest disse anvisningene.** Elektroverktøy er farlige når de brukes av uerfarne personer.
  - e) **Vær nøye med vedlikeholdet av elektroverktøyet og tilbehøret. Kontroller om bevegelige maskindeler fungerer feilfritt og ikke klemmes fast, og om deler er brukt eller skadet, slik at dette innvirker på elektroverktøyet funksjon. La skadede deler repareres før elektroverktøyet brukes.** Dårlig vedlikeholdte elektroverktøy er årsaken til mange uhell.
  - f) **Hold skjæreverktøyene skarpe og rene.** Godt stelte skjæreverktøy med skarpe skjær setter seg ikke så ofte fast og er lettere å føre.
  - g) **Bruk elektroverktøy, tilbehør, verktøy osv. i henhold til disse anvisningene. Ta hensyn til arbeidsforholdene og arbeidet som skal utføres.** Bruk av elektroverktøy til andre formål enn det som er angitt kan føre til farlige situasjoner.
  - h) **Hold håndtak og gripeflater tørre, rene og uten olje eller fett.** Glatte håndtak og gripeflater hindrer sikker håndtering og styring av verktøyet i uventede situasjoner.

## 5) SERVICE

- a) **Maskinen din skal alltid kun repareres av kvalifisert fagpersonale og kun med originale reservedeler.** Slik opprettholdes elektroverktøys sikkerhet.

## SIKERHETSANVISNINGER FOR FRES

- **Ta kun tak i elektroverktøyet på de isolerte gripeflatene, fordi kutteverktøy kan komme i berøring med ledningen** (hvis en strømførende ledning kuttet, kan metalldele på elektroverktøyet bli strømførende og brukeren kan få elektrisk støt)
- **Bruk klemmer eller andre praktiske måter å sikre og støtte arbeidsstykket til et stødig underlag** (å holde arbeidsstykket i hånden eller mot kroppen gjør det ustødig og kan føre til tap av kontroll)

## GENERELL

- Verktøyet må ikke brukes av personer under 16 år
- Ta alltid ut kontakten før du forandrer innstillinger på sagen eller skifter tilbehør

## TILBEHØR

- SKIL kan kun garantere et feilfritt verktøy dersom originaltilbehør brukes
- Bruk kun tilbehør med et godkjent turtall som er minst like høyt som verktøys høyeste tomgangsturtall
- Bruk aldri fresestål som er sprukket eller deformert
- Bruk kun skarpe fresestål
- Beskytt tilbehøret mot slag, støt og fett
- Bruk alltid hardmetall eller HSS fresestål til denne verktøyet

## FØR BRUK

- Unngå skade pga. skruer, spiker eller andre elementer i arbeidsstykket; fjernes før man starter jobben
- Sjekk alltid at tilført spenningen er den samme som oppgitt på verktøys merkeplate
- **Ikke bearbeid asbestholdig material** (asbest kan fremkalle kreft)
- Verktøyet må ikke spennes fast i en skrustikke
- Bruk helt utrullet og sikker skjoteledning med en kapasitet på 16 A
- Støynivået under arbeid kan overskride 85 dB(A); bruk hørselvern
- Støv fra materialer som blyholdig maling, visse tresorter, mineraler og metall kan være skadelig (kontakt med eller inhalering av støv kan gi allergiske reaksjoner og/eller sykdommer i åndedretsorganene for brukeren eller personer i nærheten); **bruk støvmaske og arbeid med støvfjerningsutstyr når det er mulig**
- Visse typer støv er klassifisert som kreftfremkallende (som f.eks. støv fra eik og bøk), spesielt sammen med tilsetningsstoffer for trebehandling; **bruk støvmaske og arbeid med støvfjerningsutstyr når det er mulig**
- Følg de nasjonale krav, når det gjelder støv for de materialer du ønsker å arbeide med
- Forsikre deg om at verktøyet er slått av når støpset settes inn

## UNDER BRUK

- Hold alltid kabelaen borte fra bevegelige deler på verktøyet; før kabelaen bakover bort fra verktøyet
- Bruk aldri verktøyet når sålen R ② (= beskyttelsesdeksel) er skadet; få den byttet ut av en kvalifisert person
- Verktøyet skal aldri brukes hvis ledningen er skadet. Det må byttes ut med en spesialledning tilgjengelig via serviceavdelingen.
- Hold hender og fingre borte fra fresestålet når verktøyet er slått på

- Overskrid aldri maksimalfrededybden av fresestålet under freseoperasjonen
- I tilfelle en elektrisk eller mekanisk svikt, skal verktøyet med en gang slås av og støpset trekkes ut
- I tilfelle fresestålet blokkeres, som kan gjøre at verktøyet rykker, må verktøyet slås av med en gang
- I tilfelle strømbrydd, eller hvis støpset trekkes ut tilfeldig, slå straks av verktøyet for å hindre ukontrollert gjenstart
- Sett ikke så mye press på verktøyet at det stopper rotasjonen

## ETTER BRUK

- Etter avsluttet arbeid, løsnes armen J ②, føres verktøyet tilbake til øvre utgangstilling og slås av

## FORKLARING AV SYMBOLER PÅ VERKTØY

- ③ Les instruksjonsboken for bruk
- ④ Dobbeltisolert (ikke nødvendig med jordingsleder)
- ⑤ Kast aldri verktøy i husholdningsavfallet

## BRUK

- Montering/fjerning av fresestål ⑥
  - ! **slå av verktøyet og trekk støpset ut av kontakten**
  - ! **kontroller at fresestålets spindel er ren**
  - ! **kontroller at diameteren på spennhylsen (6 mm, 6,35 mm, 8 mm) er i samsvar med diameteren på fresestålets spindel**
  - vend verktøyet opp ned
  - lås spindelen ved å trykke spindellåsen A (skru låsemutter B, om nødvendig) og hold den mens du
- FOR MONTERING:
  - løsner låsemutteren B med nøkkelen C
  - sett inn bittet slik at det har litt rom x i spennhylsen ⑦
  - strammer låsemutteren med nøkkelen C
  - frigjør spindellåsen A
- FOR FJERNING:
  - løsner låsemutteren B med nøkkelen C
  - fjern fresestål
  - frigjør spindellåsen A
- ! **for å løse et fresestål kan det være nødvendig å banke lett på toppen at fresestålet, bruk en hammer og et stykke ved for å beskyttet fresestålet**
- ! **stram aldri låsemutteren uten at det er et fresestål i spennhylsen; ellers kan denne skades**
- Bytting av chucker ⑦
  - ! **slå av verktøyet og trekk støpset ut av kontakten**
  - ! **kontroller at spennhylsen spindel er ren**
  - løsne låsemutteren B 2 eller 3 omdreininger
  - bank lett på låsemutteren B med nøkkelen C
  - fjern låsemutteren B og spennhylsen (lås spindelen)
  - vend verktøyet opp ned
  - sett ny spennhylse i spennhylsen spindelen
  - monter låsemutter B (lås spindelen)
- ! **stram aldri låsemutteren uten at det er et fresestål i spennhylsen; ellers kan denne skades**
- Justering av fredsedybden ⑧
  - ! **slå av verktøyet og trekk støpset ut av kontakten**
  - still inn finjusteringen til midtposisjon ved å vri knappen E til enden og deretter tilbake 4 hele omdreininger og stille inn skalaen F på 0 ⑧a
  - roter revolversokkelen G slik at den laveste posisjonen klikker på plass rett under dybdemåleren D (for nullstilling) ⑧b
  - løsne knappen H slik at dybdemåleren D faller ned i

- dybdestopp-revolversokkelen G <sup>8</sup>b
- sett verktøyet på arbeidsstykket
- løsne låsespaken J <sup>8</sup>c
- før verktøyet ned til fresestålet er i kontakt med arbeidsstykket <sup>8</sup>d
- løs ut og trekk til låsespaken J <sup>8</sup>e
- sett dybdevisiret AC til 0 mm <sup>8</sup>f
- hev dybdemåleren D med så mange mm som den ønskede fresedybden, og stram knappen til H <sup>8</sup>f
- løsne låsespaken J og før verktøyet opp igjen
- bruk finjusteringsknappen E til å stille inn en mer nøyaktig fresedybde (0..±8 mm); merkene på skalaen F tilsvarer 0,1 mm, 1 hel omdreining tilsvarer 2,0 mm
- med dybdestopp-revolversokkelen G kan fresedybden økes trinnvis (anbefales for dype kutt)
- ! **re-justering av fresedybde etter å ha byttet fresebits**
- Hastighetsregulering <sup>9</sup>
  - For å få best mulig resultat når fresen brukes på forskjellige materialer
  - velg en passende fresehastighet med hjulet K (kan stilles inn også mens verktøyet er i gang)
  - bruk tabell <sup>10</sup> som referanse for å bestemme riktig fresehastighet
  - før man begynner arbeidet, må man finne den optimale hastigheten ved å prøve seg fram først på et arbeidsstykke som er til overs
- ! **når verktøyet har gått lenge ved lav hastighet, må man la det bli avkjølt ved å la det gå i ca. 3 minutter ved høy hastighet uten belastning**
- LED-Lampe AD <sup>11</sup>
  - LED-lys AD slås automatisk på når du aktiverer bryteren M
- Støvsuging
  - monter støvsugeradapter L som vist <sup>12</sup>a
  - koble støvsugerslangen til adapteren for støvsugeren L <sup>12</sup>b
- Bruk av verktøyet <sup>13</sup>
  - ! **hold alltid verktøyet fast med begge hender under arbeid, hold verktøyet alltid i grått (gråe) grepsområde(r)**
  - sett verktøyet på arbeidsstykket
  - slå på verktøyet ved først å trykke inn knapp N (= sikkerhetsbryter som ikke kan låses) og deretter trykk inn bryter M
  - ! **før fresestålet kommer i kontakt med arbeidsstykket, må verktøyet ha nådd maks. hastighet**
  - løsne låsespaken J og skyv verktøyet sakte ned inntil dybdemåleren D når dybdestopp-revolversokkelen G
  - stram til låsespaken J
  - utfør fresingen med jevn fremføring
  - anvend verktøyet med fotplaten flatt på arbeidsstykket
  - som en generell regel skal man dra verktøyet, ikke skyve den
  - etter avsluttet arbeid, løsne spaken J og før verktøyet tilbake til øvre utgangstilling
  - løsne bryteren M
- Korrekt føring <sup>14</sup>
  - ha i minne at verktøyet roterer med urviserne
  - før verktøyet slik at fresestålet skjærer inn i arbeidsstykket, ikke ut fra det
- Montering av adapterplaten P (ved kopiering etter sjablong) <sup>15</sup>

- Montering av sidestiller Q <sup>16</sup>
  - sett i sidestillerstengene Y gjennom hullene i sålen R
  - skyv sidestiller til ønsket vidde og fest med 2 knotter Z
- Bruke sidestiller som sirkulær måler <sup>17</sup>
  - ! **snu sidestiller først**
  - fest pinnen AA med mutteren AB som vist på tegningen
  - sett stengene Y inn i sålen R
  - stikk pinnen AA inn i det avmerkede sentrum på en sirkelbue
  - fest sidestilleren med 2 knotter Z
  - før verktøyet jevnt over arbeidsstykket
- Bruk sidestiller med kurve kurvebuffer W <sup>18</sup>
  - monter kurvebuffer W (med føringsvalse montert) som vist
  - før verktøyet langs kanten av arbeidsstykket med lett trykk mot siden

## BRUKER TIPS

- For kutt parallelt med kanten av arbeidsstykket bruk sidestiller
- For kutt parallelt i arbeidsstykker langt fra kanten <sup>13</sup>
  - fest da et stykke tre ved hjelp av 2 klemmer
  - før verktøyet med sålen mot kanten av trestykket som da fungerer som sidestiller
- Ved bruk av fresestål med en styretapp eller et kulelager skal styretappene eller kulelageret gli langs kanten av arbeidsstykket som skal være fullstendig glatt <sup>19</sup>
- Ved større fresedybder anbefales det å bearbeide flaten flere ganger etter hverandre med liten sponfjerning i hver omgang
- Se [www.skil.com](http://www.skil.com) for mer informasjon

## VEDLIKEHOLD / SERVICE

- Dette verktøyet er ikke beregnet på profesjonell bruk
- Hold alltid verktøyet og kabelen ren (spesielt ventilasjonshullene S <sup>2</sup>)
- Smør glideskinnene T <sup>2</sup> av og til
- Hvis elektroverktøyet til tross for omhyggelige produktjons- og kontrollmetoder en gang skulle svikte, må reparasjonen utføres av et autorisert serviceverksted for SKIL-elektroverktøy
  - send verktøyet i **montert** tilstand sammen med kjøpebevis til forhandleren eller nærmeste SKIL servicecenter (adresser liksom service diagram av verktøyet finner du på [www.skil.com](http://www.skil.com))
- Vær klar over at skade som skyldes overbelastning eller feilbehandling av verktøyet ikke dekkes av garantien (for SKIL garantibetingelser se [www.skil.com](http://www.skil.com) eller spør din forhandler)

## MILJØ

- **Kast aldri elektroverktøy, tilbehør og emballasje i husholdningsavfallet** (kun for EU-land)
  - i henhold til EU-direktiv 2012/19/EF om kasserte elektriske og elektroniske produkter og direktivets iverksetting i nasjonal rett, må elektroverktøy som ikke lenger skal brukes, samles separat og returneres til et miljøvennlig gjenvinningsanlegg
  - symbolet <sup>5</sup> er påtrykt som en påminnelse når utskifting er nødvendig

## STØY / VIBRASJON

- Målt i samsvar med EN 60745, lydtrykksnivået til dette verktøyet er 91,0 dB(A) og lydeffektnivået er 102,0 dB(A) (usikkerhet  $K = 3$  dB) og vibrasjonene 4,5 m/s<sup>2</sup> (triaks vektorsum usikkerhet  $K = 1,5$  m/s<sup>2</sup>)
  - Vibrasjonsnivået er målt i samsvar med en standardisert test som er angitt i EN 60745; den kan brukes til å sammenligne et verktøy med et annet, og som et foreløpig overslag over eksponering for vibrasjoner ved bruk av verktøyet til de oppgavene som er nevnt
    - bruk av verktøyet til andre oppgaver, eller med annet eller mangelfullt vedlikeholdt utstyr, kan gi en vesentlig **økning** av eksponeringsnivået
    - tidsrommene når verktøyet er avslått eller når det går men ikke arbeider, kan gi en vesentlig **reduksjon** av eksponeringsnivået
- ! beskytt deg selv mot virkningene av vibrasjoner ved å vedlikeholde verktøyet og utstyret, holde hendene varme og organisere arbeidsmåten din**

FIN

## Yläjyrsin

1860

### ESITTELY

- Koneet on tarkoitettu urien, reunojen, profiilien ja pitkittäisreikien jyrsintään puuhun, muoviin ja keytrakennusaineisiin tukevalla alustalla sekä kopiojyrsintään
- Tätä työkalua ei ole tarkoitettu ammattikäyttöön
- Lue ja säilytä tämä ohjekirja ③

### TEKNISET TIEDOT ①

#### LAITTEEN OSAT ②

- A Varren lukitus
- B Istukkamutteri
- C Avain
- D Porausvyödyden rajoitin
- E Hienosäätönuppi
- F Hienosäätöasteikko
- G Syvyydenrajoittimen säätö
- H Säätönuppi (porausvyödyden rajoitin)
- J Lukitusvipu
- K Nopeudensäätöpyörä
- L Pölynimurin sovitin
- M Käynnistyskytkin
- N Turvakytin
- P Sovitinlevy
- Q Sivuohjain
- R Pohjalevy
- S Ilmanvaihto-aukot
- T Ohjainkiskot
- V Suojus
- W Käyräpuskuri
- Y Sivuohjaimen tangot
- Z Sivuohjaimen säätönuppi
- AA Sivuohjaimen tappi
- AB Sivuohjaimen mutteri
- AC Syvyyden osoitin
- AD Ledivalo

## TURVALLISUUS

### YLEISET SÄHKÖTYÖKALUJEN TURVALLISUUTEEN LIITTYVÄT VAROITUKSET

**VAROITUS: Pehedy kaikkiin tämän sähkötyökalun mukana toimitettuihin varoituksiin, ohjeisiin, kuviin ja teknisiin tietoihin.** Jos kaikkia alla olevia ohjeita ei noudateta, seurauksena voi olla sähköisku, tulipalo ja/tai vakava loukkaantuminen.

### Säilytä kaikki turvallisuus- ja muut ohjeet tulevaisuutta varten.

Turvallisuusohjeissa käytetty käsite "sähkötyökalu" käsittää verkkokäyttöisiä sähkötyökaluja (verkkojohdolla) ja akkukäyttöisiä sähkötyökaluja (ilman verkkojohtoa).

#### 1) TYÖPAIKAN TURVALLISUUS

- Pidä työskentelyalue puhtaana ja hyvin valaistuna.** Työpaikan epäjärjestys tai valaisemattomat työalueet voivat johtaa tapaturmiin.
- Älä työskentele sähkötyökalulla räjähdysalttiissa ympäristössä, jossa on palavaa nestettä, kaasua tai pölyä.** Sähkötyökalu muodostaa kipinöitä, jotka saattavat sytyttää pölyn tai höyryt.
- Pidä lapset ja sivilisitet loitolla sähkötyökalua käyttäessäsi.** Voit menettää laitteesi hallinnan, huomiosi suuntautuessa muualle.

#### 2) SÄHKÖTURVALLISUUS

- Sähkötyökalun pistotulpan tulee sopia pistorasiaan. Pistotulppaa ei saa muuttaa millään tavalla. Älä käytä mitään pistorasia-adaptoreita maadoitettujen sähkötyökalujen kanssa.** Alkuperäisessä kunnossa olevat pistotulpat ja sopivat pistorasiat vähentävät sähköiskun vaaraa.
- Vältä koskettamasta maadoitettuja pintoja, kuten putkia, pattereita, liesiä tai jääkaappeja.** Sähköiskun vaara kasvaa, jos kehosi on maadoitettu.
- Älä aseta sähkötyökalua alttiiksi sateelle tai kosteudelle.** Veden tunkeutuminen sähkötyökalun sisään kasvattaa sähköiskun riskiä.
- Älä käytä verkkojohtoa väärin. Älä käytä sitä sähkötyökalun kantamiseen, vetämiseen tai pistotulpan irrottamiseen pistorasiasta. Pidä johto loitolla kuumuudesta, öljystä, terävistä reunoista ja liikkuvista osista.** Vahingoittuneet tai sotkeutuneet johdot kasvattavat sähköiskun vaaraa.
- Käyttäessäsi sähkötyökalua ulkona, käytä ainoastaan ulkokäyttöön soveltuvaa jatkojohtoa.** Ulkokäyttöön soveltuvan jatkojohdon käyttö pienentää sähköiskun vaaraa.
- Jos sähkötyökalun käyttö kosteassa ympäristössä ei ole vältettävissä, tulee käyttää maavuotokatkaisijaa.** Maavuotokatkaisijan käyttö vähentää sähköiskun vaaraa.

#### 3) HENKILÖTURVALLISUUS

- Ole valpas, kiinnitä huomiota työskentelyysi ja noudata tervettä järkeä sähkötyökalua käyttäessäsi.** Älä käytä sähkötyökalua, jos olet väsynyt tai huumeiden, alkoholin tahi lääkkeiden vaikutuksen alaisena. Hetken tarkkaamattomuus sähkötyökalua käytettäessä, saattaa johtaa vakavaan

- loukkaantumiseen.
- b) **Käytä suojavarusteita. Käytä aina suojalaseja.** Henkilökohtaisen suojavarustuksen käyttö, kuten pölynaamarin, luistamattomien turvakengien, suojakypärän tai kuulonsuojaimien, riippuen sähkötyökalun lajista ja käyttötavasta, vähentää loukkaantumisriskiä.
- c) **Vältä tahatonta käynnistämistä. Varmista, että sähkötyökalu on poiskytkettynä, ennen kuin liität sen sähköverkkoon ja/tai liität akun, otat sen käteen tai kannat sitä.** Jos kannat sähkötyökalua sormi käynnistyskytkimellä tai kytket sähkötyökalun pistotulpan pistorasiaan, käynnistyskytkimen ollessa käyntiasennossa, altistat itsesi onnettomuuksille.
- d) **Poista kaikki säätötyökalut ja ruuvitalat, ennen kuin käynnistät sähkötyökalun.** Työkalu tai avain, joka sijaitsee laitteen pyöryvässä osassa, saattaa johtaa loukkaantumiseen.
- e) **Älä yliarvioi itseäsi. Huolehdi aina tukevasta seisoma-asennosta ja tasapainosta.** Täten voit paremmin hallita sähkötyökalua odottamattomissa tilanteissa.
- f) **Käytä tarkoitukseen soveltuvia vaatteita. Älä käytä löysiä työvaatteita tai koruja. Pidä hiukset ja vaatteet poissa liikkuvien osien ulottuvilta.** Välijät vaatteet, korut ja pitkät hiukset voivat takertua liikkuviin osiin.
- g) **Jos pölynimu- ja keräilylaitteita voidaan asentaa, tule ne sinun tarkistaa, että ne on liitetty ja että ne käytetään oikealla tavalla.** Pölynimulaitteiston käyttö vähentää pölyn aiheuttamia vaaroja.
- h) **Työskentele keskittyneesti ja noudata aina turvallisuusmääräyksiä.** Hetkellinenkin huolimattomuus voi aiheuttaa vakavia vammoja.
- 4) SÄHKÖTYÖKALUJEN KÄYTTÖ JA HOITO**
- a) **Älä ylikuormita laitetta. Käytä kyseiseen työhön tarkoitettua sähkötyökalua.** Sopivaa sähkötyökalua käyttäen työskentelet paremmin ja varmemmin tehoalueella, jolle sähkötyökalu on tarkoitettu.
- b) **Älä käytä sähkötyökalua, jota ei voida käynnistää ja pysäyttää käynnistyskytkimestä.** Sähkötyökalu, jota ei enää voida käynnistää ja pysäyttää käynnistyskytkimellä, on vaarallinen ja se täytyy korjata.
- c) **Irrota pistotulppa pistorasiasta ja/tai irrota akku (jos irrotettava) sähkötyökalusta, ennen kuin suoritat säätöjä, vaihdat tarvikkeita tai viet sähkötyökalun varastoon.** Nämä turvatoimenpiteet pienentävät sähkötyökalun tahattoman käynnistysriskin.
- d) **Säilytä sähkötyökalu poissa lasten ulottuvilta, kun niitä ei käytetä. Älä anna sellaisten henkilöiden käyttää sähkötyökalua, jotka eivät tunne sitä tai jotka eivät ole lukeneet tätä käyttöohjetta.** Sähkötyökalut ovat vaarallisia, jos niitä käyttävät kokemattomat henkilöt.
- e) **Pidä sähkötyökalut ja tarvikkeet hyvässä kunnossa.** Tarkista, että liikkuvat osat toimivat moitteettomasti, eivätkä ole puristuksessa sekä, että siinä ei ole murtuneita tai vahingoittuneita osia, jotka saattaisivat vaikuttaa haitallisesti sähkötyökalun toimintaan. Anna korjauttaa mahdolliset viat ennen käyttöönottoa. Momen tapaturman syyt löytyvät huonosti huolletuista laitteista.
- f) **Pidä leikkausterät terävinä ja puhtaina.** Huolellisesti hoidetut leikkaustyökalut, joiden leikkausreunat ovat

teräviä, eivät tartu helposti kiinni ja niitä on helpompi hallita.

- g) **Käytä sähkötyökaluja, tarvikkeita, vaihtotyökaluja jne. näiden ohjeiden mukaisesti. Ota tällöin huomioon työolosuhteet ja suoritettava toimenpide.** Sähkötyökalun käyttö muuhun kuin sille määrättyyn käyttöön, saattaa johtaa vaarallisiin tilanteisiin.
- h) **Pidä kahvat ja kädensijat kuivina ja puhtaina (öljyttöminä ja rasvattomina).** Jos kahvat ja kädensijat ovat liukkaita, et pysty yllättävissä tilanteissa ohjaamaan ja hallitsemaan työkalua turvallisesti.
- 5) HUOLTO**
- a) **Anna koulutettujen ammattihenkilöiden korjata sähkötyökalusi ja hyväksy korjauksiin vain alkupelejä varoissa.** Täten varmistat, että sähkötyökalu säilyy turvallisena.

## YLÄJYRSIN TURVALLISUUSOHJEET

- **Pidä kiinni laitteen eristetyistä tartuntapinnoista, koska terä voi koskea laitteen johtoon** (jos jännitteinen johto vaurioituu, laitteen paljaisiin metalliosiin voi tulla jännite ja laitteen käyttäjä voi saada sähköiskun)
- **Tue työstettävää kappale tukevaan tasoon puristimilla tai muulla käytännöllisellä tavalla** (kappaleen pitäminen käsin tai kehoa vasten on epävakaa ja voi aiheuttaa hallinnan menetyksen)

## YLEISTÄ

- Tätä työkalua saavat käyttää vain 16 vuotta täyttäneet henkilöt
- Irrota aina pistotulppa pistorasiasta, ennen kuin suoritat laitteelle mitään säätöjä tai vaihdat tarviketta

## VARUSTEET

- SKIL pystyy takaamaan työkalun moitteettoman toiminnan vain, kun käytetään alkupelejä tarvikkeita
- Käytä vain tarvikkeita, joiden sallittu kierrosnopeus on vähintään yhtä suuri kuin laitteen suurin tyhjäkääntikierrosnopeus
- Älä käytä vaurioituneita tai taittuneita jrsinteriä
- Käytä ainoastaan teräviä jrsinteriä
- Suojele varusteita iskuja, törmäyksiä ja rasvaantumista vastaan
- Käytä aina pikateräs (HSS) tai kovametallijrsinteriä

## ENNEN KÄYTTÖÄ

- Vältä vaaralliset vahingot, jotka voivat aiheutua nauloista, ruuveista tai muista aineista työstettävässä materiaalissa; poista ne ennen työskentelyä aloittamista
- Tarkista aina, että syöttöjännite on sama kuin työkalun nimiltaan osoittama jännite
- **Älä koskaan työstä asbestipitoista ainetta** (asbestia pidetään karsinogeenisena)
- Älä aseta työkalua ruuvipuristimeen
- Käytä täysin rullaamattomia ja turvallisia jatkejohtoja, joiden kapasiteetti on 16 ampeeria
- Työskennellessä melutaso saattaa ylittää 85 dB(A); jolloin suositellaan kuulonsuojaimien käyttöä
- Materiaaleista, kuten lyijypitoinen maali, jotkut puulajit, mineraalit ja metalli, tuleva pöly voi olla vahingollista (kosketuksiin joutuminen pölyn kanssa tai sen sisään hengittäminen voi aiheuttaa käyttäjälle tai sivustakatsajille allergiareaktioita ja/tai hengitysvaivoja); **käytä pölynaamaria ja työskentele pölynpoistolaitteen kanssa, kun sellainen on liitettävissä**
- Tietyntyyppiset pölyt on luokiteltu karsinogeenisiksi

(kuten tammi- ja pyökkipöly) erityisesti puun käsittelyyn käytettävien lisäaineiden yhteydessä; **käytä polynaamaria ja työskentele pölynpoistolaitteen kanssa, kun sellainen on liitettävissä**

- Noudata maakohtaisia pölyyn liittyviä sääntöjä
- Varmista, että työkalun toiminta on katkaistu sen kosketin liitettävässä pistorasiassa

#### KÄYTÖN AIKANA

- Pidä johto aina poissa työkalun liikkuvien osien läheisyydestä; kohdista johto takaosaa kohti pois työkalusta
- Älä käytä työkalua, kun pohjalevy R ② (=suojus) on vioittunut; ja toimita valtuutettuun huoltoliikkeeseen
- Älä käytä työkalua, jonka johto on vioittunut; johto on vaihdettava erikoisvalmisteiseen johtoon, jonka voi hankkia mistä tahansa huolto-organisaatioon kuuluvasta liikkeestä.
- Pidä sormet pois jyrsterästä käyttäessäsi konetta
- Älä koskaan ylitä työskennellessäsi jyrsterän maksimisyyvyyttä
- Jos huomaat sähköisen tai mekaanisen vian, sammuta kone heti ja irrota liitosjohto pistorasiasta
- Mikäli jyrsteriä tukkeutuu ja saa työkalun nykimään, katkaise työkalun toiminta välittömästi
- Virtakatkon aiheutuessa tai jos kosketin vedetään vahingossa irti pistorasiasta, sammuta työkalusta välittömästi tahattoman uudelleenkäynnistymisen estämiseksi
- Älä käytä niin paljon painetta työkaluun nähden, että se pysähtyy

#### KÄYTÖN JÄLKEEN

- Vie kone työn päätyttyä ylempään lähtöasentoon vapauttamalla vipu J ② ja pysäytä kone

#### TYÖKALUN SYMBOLIEN SELITYKSET

- ③ Lue käyttöohjeet ennen käyttöä
- ④ Kaksoiseristys (ei tarvita maajohtoa)
- ⑤ Älä hävitä konettasi tavallisen kotitalousjätteen mukana

## KÄYTTÖ

- Jyrsterän asennus/irroitus ⑥
  - ! **sammuta kone ja irrota pistoke pistorasiasta**
  - ! **varmista, että jyrsterän varsi on puhdas**
  - ! **varmista, että istukan koko (6 mm, 6,35 mm, 8 mm) vastaa jyrsterän kokoa**
  - käännä kone ylösalaisin
  - lukitse varsi painamalla varren lukitusta A (kierrä lukitusmutteria B, jos tarpeellista) ja pidä se alhaalla seuraavien toimenpiteiden aikana
- ASENNUS:
  - irrota lukitusmutteri B kiintoavaimella C
  - aseta kärki jättäen hieman tilaa x istukkaan ⑦
  - kiristä lukitusmutteri kiintoavaimella C
  - vapauta varren lukitus A
- IRROTUS:
  - irrota lukitusmutteri B kiintoavaimella C
  - poista jyrsterä
  - vapauta varren lukitus A
- ! **Jyrsterää löysättäessä voi olla tarpeen napauttaa jyrsterän yläosaa käyttäen vasaraa sekä puukappaletta terän suojana**
- ! **älä koskaan kiristä lukitusmutteria, jos istukassa ei ole jyrsterää; istukka saattaa vahingoittua**
- Istukkahylsyjen vaihtaminen ⑦
  - ! **sammuta kone ja irrota pistoke pistorasiasta**

## ! varmista, että varren on puhdas

- löysennä lukitusmutteria B kahden tai kolmen kierroksen verran
- näpäytä lukitusmutteria B kiintoavaimella C
- poista lukitusmutteri B ja istukka (lukitse varsi)
- käännä kone ylösalaisin
- asenna uusi istukka istukkavarteen
- asenna lukitusmutteri B (lukitse varsi)
- ! **älä koskaan kiristä lukitusmutteria, jos istukassa ei ole jyrsterää; istukka saattaa vahingoittua**
- Jyrstintäsyvyyden säätö ⑧
  - ! **sammuta kone ja irrota pistoke pistorasiasta**
  - Säädä hienosäätö keskiasentonsa kääntämällä nuppi E loppuun saakka ja sitten neljä täyttä kierrosta takaisinpäin ja säädä asteikko F kohtaan O ⑧a
  - käännä holkia G siten, että sen korkein kohta napsahtaa paikalleen juuri syvyydensäätimen alapuolelle D (nollausta varten) ⑧b
  - löysää nuppia H siten, että syvyydensäädin D putoaa syvyydenrajoittimen G ⑧b päälle
  - aseta kone työkappaleen päälle
  - löysää lukitusvipu J ⑧c
  - paina jyrstintä alaspäin, kunnes jyrsterä koskettaa työkappaletta ⑧d
  - vapauta kiristä lukitusvipu J ⑧e
  - siirrä syvyyden osoitin AC 0 mm:iin ⑧ f
  - nosta syvyydensäädintä D jyrstintäsyvyyttä vastaavalla mm-määrällä, ja kiristä nuppi H ⑧f
  - löysää lukitusvipu J ja ohjaa työkalu jälleen ylös
  - käytä hienosäätönuppia E jyrstintäsyvyyden tarkempaan säätämiseen (0...±8 mm); mitta-asteikon merkit F vastaavat 0,1 mm:ä, yksi täysi kierros vastaa 2,0 mm:ä
  - syvyydenrajoittimella G jyrstintäsyvyyttä voi lisätä joko vaihteittain (suositellaan syviin sahuksiin)
- ! **säädä jyrstintäsyvyys uudelleen vaihdettuasi jyrsterät**
- Nopeudensäätö ⑨
  - Optimien jyrstintätulosten saamiseksi eri materiaaleilla
  - valitse jyrstintänopeus pyörällä K (myös työkalun ajaessa)
  - käytä taulukkoa ⑩ viiteenä oikean jyrstintänopeuden määrittämiseksi
  - ennen työn aloittamista hae optimi nopeus suorittamalla testi varamateriaalilla
  - ! **kun työkalua on käytetty pitemmän aikaa alhaisella nopeudella, anna työkalun viilentyä ajamalla sitä noin kolme minuuttia korkealla nopeudella ilman kuormausta**
- Ledivalo AD ⑪
  - LED-valo AD syttyy automaattisesti, kun kytkin aktivoidaan M
- Pölynimi
  - asenna pölynimurin adapteri L kuvan mukaisesti ⑫a
  - liitä pölynimurin letku pölynimurin sovittimeen L ⑫b
- Työkalun käyttö ⑬
  - ! **pidä käytössä laitteesta tukevasti kiinni molemmilla käsillä**
  - ! **pidä työkalusta kiinni aina työskentelyn aikana harmaan värisestä kädensija(j)oi)sta**
  - aseta kone työkappaleen päälle
  - käynnistä saha painamalla ensin nuppia N (= turvakytkin, jota ei voida lukita) ja sen jälkeen vetämällä kytkimestä M



## ! koneen tulee pyöriä täydellä nopeudella ennen kuin jyrnsinterän koskettaa työkalpaletta

- löysää lukitusvipua J ja paina konetta hitaasti alas, kunnes syvyydensäädin D saavuttaa syvyydenrajoittimen G
- kiristä lukitusvipu J
- suorita jyrnsintä tasaisella syötöllä
- käytä konetta pohjalevy kiinni työkalpaletissa
- yleensä on parempi vetää kuin työntää jyrnsintä
- vie kone työn päätyttyä ylempään lähtöasentoon vapauttamalla vipu J
- vapauta kytkintä M
- Oikea ohjaus eri jyrnsinöissä ⑭
- muista, että terä pyörii myötäpäivään
- ohjaa koneesi niin, että terä pyörii kohti työkalpaletta, ei pois päin siitä
- Kopiohylsyn P asennus (kopiointi mallineella) ⑮
- Suuntaohjaimen asennus Q ⑯
- työnnä ohjaimen tangot Y pohjalevyn R reikiin
- työnnä suuntaohjain halutulle leveydelle ja kiinnitä se kahdella nupilla Z
- Suuntaohjaimen käyttö ympyräohjaimena ⑰
- ! **käännä ensin suuntaohjain päivänvasteiseksi**
- kiinnitä tappi AA mutterilla AB kuten kuvassa
- asenna tangot Y pohjalevyyn R
- työnnä tappi AA kaarisegmentin merkittyyn keskukseen
- kiinnitä ohjauslaite kahdella nupilla Z
- ohjaa työkalua syöttämällä tasaisesti työkalpaleen poikki
- Suuntaohjaimen käyttö käyräpuskurilla W ⑱
- kiinnitä käyräpuskuri W (ohjausrulla kiinnitettyinä) kuvauksen mukaisesti
- ohjaa sähkötyökalua työkalpaleen reunaa pitkin painamalla kevyesti sivun puolelta

## VINKKEJÄ

- Kun haluat jyrnsiä työkalpaleesi reunan kanssa yhdensuuntaisesti, käytä suuntaohjainta
- Työkalpaleen reunasta kaukana olevat yhdensuuntaiset leikkaukset ⑬
- kiinnitä työkalpaleeseen tukeva, suora puukappale 2 ruuvipuristimella
- ohjaa koneesi siten, että pohjalevy kulkee puukappaleen reunaa pitkin, joka nyt toimii sivuohjaimena
- Käyttäessäsi ohjaintapilla tai kuulalaakerilla varustettuja teriä ohjaintappi tai kuulalaakeri tulee liukua työkalpaleenulkoreunaa pitkin, jonka tulee olla mahdollisimman sileä ⑲
- Suurta jyrnsintäsyvyyttä tavoiteltaessa on suositeltavaa suorittaa useita työstökertoja pienellä lastunirrotuksella
- Lisätietoja on tarjolla web-osoitteessa [www.skil.com](http://www.skil.com)

## HOITO / HUOLTO

- Tätä työkalua ei ole tarkoitettu ammattikäyttöön
- Pidä työkalu ja johto puhtaina (varmista erityisesti ilma-aukkojen puhtaus S ②)
- Voitele ohjainkiskot tarpeen vaatiessa T ②
- Jos sähkötyökalussa, huolellisesta valmistuksesta ja koestusmenettelystä huolimatta esiintyy vikaa, tulee korjaus antaa SKIL sopimushuollon tehtäväksi
- toimita työkalu sitä osiin **purkamatta** lähimpään SKIL-huoltoon (osoitteet ja työkalun huoltokaava ovat tarjolla

web-osoitteessa [www.skil.com](http://www.skil.com)) ostotodiste mukaan liitettynä

- Ota huomioon, että takuu ei kata työkalun ylikuormituksesta tai väärästä käsittelystä johtuvia vahinkoja (katso SKILin takuehdot osoitteesta [www.skil.com](http://www.skil.com) tai kysy jälleenmyyjältä)

## YMPÄRISTÖNSUOJELU

- **Älä hävitä sähkötyökalua, tarvikkeita tai pakkausta tavallisen kotitalousjätteen mukana** (koskee vain EU-maita)
- vanhoja sähkö- ja elektroniikkalaitteita koskevan EU-direktiivin 2012/19/ETY ja sen maakohtaisten sovellusten mukaisesti käytetyt sähkötyökalut on toimitettava ongelmajätteen keräyspisteeseen ja ohjattava ympäristöystävälliseen kierrätykseen
- symboli ⑤ muistuttaa tästä, kun käytöstä poisto tulee ajankohtaiseksi

## MELU / TÄRINÄ

- Tämän työkalun standardin EN 60745 mukaisesti mitattu äänenpainotaso on 91,0 dB(A) ja äänenvoimakkuus 102,0 dB(A) (epävarmuus K = 3 dB), ja värinä 4,5 m/s<sup>2</sup>\* (triax-vektorisumma, epävarmuus K = 1,5 m/s<sup>2</sup>)
- Tärinäsäätelytaso on mitattu standardin EN 60745 mukaisen standarditestin mukaisesti; sitä voidaan käyttää verrattaessa yhtä laitetta toiseen sekä alustavana tärinälle altistumisen arviona käytettäessä laitetta manituissa käyttötarkoituksissa
- laitteen käyttö eri käyttötarkoituksiin tai erilaisten tai huonosti ylläpidettyjen lisälaitteiden kanssa voi **lisätä** merkittävästi altistumistasoa
- laitteen ollessa sammuksissa tai kun se on käynnissä, mutta sillä ei tehdä työtä, altistumistaso voi olla huomattavasti **pienempi**
- ! **suojaudu tärinän vaikutuksilta ylläpitämällä laite ja sen lisävarusteet, pitämällä kädet lämpiminä ja järjestämällä työmenetelmät**

E

## Fresadora

1860

## INTRODUCCIÓN

- La herramienta está destinada para fresar ranuras, cantos, perfiles y agujeros rasgados en materiales de madera, sintéticos y de construcción ligeros y para fresar con copiadador
- Esta herramienta no está concebida para uso profesional
- Lea y conserve este manual de instrucciones ③

## DATOS TÉCNICOS ①

## ELEMENTOS DE LA HERRAMIENTA ②

- A Bloqueo del eje
- B Tuerca de la pinza de sujeción
- C Llave
- D Tope de profundidad
- E Mando de ajuste fino
- F Escala de ajuste fino
- G Torrecilla revólver con topes de profundidad

- H Botón de ajuste (tope de profundidad)
- J Palanca de bloqueo
- K Rueda de selección de velocidad
- L Adaptador para aspirador
- M Gatillo de encendido/apagado
- N Interruptor de seguridad
- P Chapa adaptadora
- Q Guía paralela
- R Placa base
- S Ranuras de ventilación
- T Barras deslizantes
- V Cubierta de protección
- W Tope de curvas
- Y Varillas de guía paralela
- Z Botón para ajuste de la guía paralela
- AA Clavija de guía paralela
- AB Tuerca de guía paralela
- AC Visor de profundidad
- AD Luz LED

## SEGURIDAD

### ADVERTENCIAS DE PELIGRO GENERALES PARA HERRAMIENTAS ELÉCTRICAS

**⚠️ ADVERTENCIA** Lea todas las advertencias de seguridad, instrucciones, ilustraciones y especificaciones entregadas con esta herramienta eléctrica. El incumplimiento de alguna de las instrucciones que figuran a continuación puede ser causa de descargas eléctricas, incendios o lesiones graves.

#### Guardar todas las advertencias de peligro e instrucciones para futuras consultas.

El término "herramienta eléctrica" empleado en las siguientes advertencias de peligro se refiere a herramientas eléctricas de conexión a la red (con cable de red) y a herramientas eléctricas accionadas por acumulador (o sea, sin cable de red).

#### 1) SEGURIDAD DEL PUESTO DE TRABAJO

- a) **Mantenga limpia y bien iluminada su área de trabajo.** El desorden o una iluminación deficiente en las áreas de trabajo pueden provocar accidentes.
- b) **No utilice la herramienta eléctrica en un entorno con peligro de explosión, en el que se encuentren combustibles líquidos, gases o material en polvo.** Las herramientas eléctricas producen chispas que pueden llegar a inflamar los materiales en polvo o vapores.
- c) **Mantenga alejados a los niños y otras personas de su área de trabajo al emplear la herramienta eléctrica.** Una distracción le puede hacer perder el control sobre la herramienta.

#### 2) SEGURIDAD ELÉCTRICA

- a) **El enchufe de la herramienta eléctrica debe corresponder a la toma de corriente utilizada. No es admisible modificar el enchufe en forma alguna. No emplear adaptadores en herramientas eléctricas dotadas con una toma de tierra.** Los enchufes sin modificar adecuados a las respectivas tomas de corriente reducen el riesgo de una descarga eléctrica.

- b) **Evite que su cuerpo toque partes conectadas a tierra como tuberías, radiadores, cocinas y refrigeradores.** El riesgo a quedar expuesto a una descarga eléctrica es mayor si su cuerpo tiene contacto con tomas de tierra.
  - c) **No exponga las herramientas eléctricas a la lluvia o a condiciones de humedad.** Existe el peligro de recibir una descarga eléctrica si penetran líquidos en la herramienta eléctrica.
  - d) **No utilice el cable de red para transportar o colgar la herramienta eléctrica, ni tire de él para sacar el enchufe de la toma de corriente. Mantenga el cable de red alejado del calor, aceite, esquinas cortantes o piezas móviles.** Los cables de red dañados o enredados pueden provocar una descarga eléctrica.
  - e) **Al trabajar con la herramienta eléctrica en la intemperie utilice solamente cables de prolongación homologados para su uso en exteriores.** La utilización de un cable de prolongación adecuado para su uso en exteriores reduce el riesgo de una descarga eléctrica.
  - f) **Si el funcionamiento de una herramienta eléctrica en un lugar húmedo fuese inevitable, utilice un cortacircuito de fuga a tierra.** El uso de un cortacircuito de fuga a tierra reduce el riesgo de descarga eléctrica.
- #### 3) SEGURIDAD DE PERSONAS
- a) **Esté atento y emplee la herramienta eléctrica con prudencia. No utilice la herramienta eléctrica si estuviese cansado, ni bajo los efectos de alcohol, drogas o medicamentos.** El no estar atento durante el uso de una herramienta eléctrica puede provocar serias lesiones.
  - b) **Utilice un equipo de protección personal y en todo caso unas gafas de protección.** El riesgo a lesionarse se reduce considerablemente si, dependiendo del tipo y la aplicación de la herramienta eléctrica empleada, se utiliza un equipo de protección adecuado como una mascarilla antipolvo, zapatos de seguridad con suela antideslizante, casco, o protectores auditivos.
  - c) **Evite una puesta en marcha fortuita. Asegurarse de que la herramienta eléctrica esté desconectada antes de conectarla a la toma de corriente y/o al montar el acumulador, al recogerla, y al transportarla.** Si transporta la herramienta eléctrica sujetándola por el interruptor de conexión/desconexión, o si introduce el enchufe en la toma de corriente con la herramienta eléctrica conectada, ello puede dar lugar a un accidente.
  - d) **Retire las herramientas de ajuste o llaves fijas antes de conectar la herramienta eléctrica.** Una herramienta o llave colocada en una pieza rotativa puede producir lesiones graves al accionar la herramienta eléctrica.
  - e) **Sea precavido. Trabaje sobre una base firme y mantenga el equilibrio en todo momento.** Ello le permitirá controlar mejor la herramienta eléctrica en caso de presentarse una situación inesperada.
  - f) **Lleve puesta una vestimenta de trabajo adecuada. No utilice vestimenta amplia ni joyas. Mantenga su pelo y vestimenta alejados de las piezas móviles.** La vestimenta suelta, las joyas y el pelo largo se pueden enganchar con las piezas en movimiento.
  - g) **Siempre que sea posible utilizar equipos de**

aspiración o captación de polvo, asegúrese que éstos estén montados y que sean utilizados correctamente. El empleo de estos equipos reduce los riesgos derivados del polvo.

- h) **No permita que la familiaridad ganada por el uso frecuente de la herramienta eléctrica lo deje creerse seguro e ignore las normas de seguridad.** Una acción negligente puede causar lesiones graves en una fracción de segundo.

#### 4) CUIDADO Y UTILIZACIÓN DE HERRAMIENTAS ELÉCTRICAS

- a) **No sobrecargue la herramienta eléctrica. Use la herramienta eléctrica prevista para el trabajo a realizar.** Con la herramienta eléctrica adecuada podrá trabajar mejor y con mayor seguridad dentro del margen de potencia indicado.
- b) **No utilice herramientas eléctricas con un interruptor defectuoso.** Las herramientas eléctricas que no se puedan conectar o desconectar son peligrosas y deben repararse.
- c) **Saque el enchufe de la red y/o retire el acumulador desmontable de la herramienta eléctrica, antes de realizar un ajuste, cambiar de accesorio o al guardar la herramienta eléctrica.** Esta medida preventiva reduce el riesgo de conectar accidentalmente la herramienta eléctrica.
- d) **Guarde las herramientas eléctricas fuera del alcance de los niños y de las personas que no estén familiarizadas con su uso.** Las herramientas eléctricas utilizadas por personas inexpertas son peligrosas.
- e) **Cuide la herramienta eléctrica y los accesorios con esmero. Controle si funcionan correctamente, sin atascarse, las partes móviles de la herramienta eléctrica, y si existen partes rotas o deterioradas que pudieran afectar al funcionamiento de la herramienta eléctrica. Si la herramienta eléctrica estuviese defectuosa haga repararla antes de volver a utilizarla.** Muchos de los accidentes se deben a herramientas eléctricas con un mantenimiento deficiente.
- f) **Mantenga los útiles limpios y afilados.** Los útiles mantenidos correctamente se dejan guiar y controlar mejor.
- g) **Utilice herramientas eléctricas, accesorios, útiles, etc. de acuerdo con estas instrucciones, teniendo en cuenta las condiciones de trabajo y la tarea a realizar.** El uso de herramientas eléctricas para trabajos diferentes de aquellos para los que han sido concebidas puede resultar peligroso.
- h) **Mantenga las empuñaduras y las superficies de las empuñaduras secas, limpias y libres de aceite y grasa.** Las empuñaduras y las superficies de las empuñaduras resbaladizas no permiten un manejo y control seguro de la herramienta eléctrica en situaciones imprevistas.

#### 5) SERVICIO

- a) **Únicamente haga reparar su herramienta eléctrica por un profesional, empleando exclusivamente piezas de repuesto originales.** Solamente así se mantiene la seguridad de la herramienta eléctrica.

#### INSTRUCCIONES DE SEGURIDAD PARA FRESADORAS

- **Sujete la herramienta por las superficies de agarre**

**aisladas, ya que es posible que la cuchilla haga contacto con su propio cable de alimentación**

(cortar un cable bajo tensión también puede conectar las partes metálicas expuestas de la herramienta, con el consiguiente riesgo de sacudida eléctrica al operario)

- **Utilice abrazaderas u otro sistema práctico para asegurar y soportar la pieza de trabajo en una plataforma estable** (si la sujeta con la mano o contra el cuerpo, queda inestable y puede perder el control sobre ella)

#### GENERAL

- Esta herramienta no debe utilizarse por personas menores de 16 años
- Desenchufar siempre la herramienta antes de realizar cualquier ajuste o cambiar algún accesorio

#### ACCESORIOS

- SKIL únicamente puede garantizar un funcionamiento correcto de la herramienta al emplear accesorios originales
- Utilice únicamente accesorios cuyo límite de revoluciones permitido sea como mínimo igual a las revoluciones en vacío máximas de la herramienta
- No utilice brocas dañadas o deformadas
- Utilice únicamente brocas afiladas
- Proteja los accesorios de golpes, choques y grasa
- Utilice siempre brocas de HSS o de widia con esta herramienta

#### ANTES DEL USO

- Evite los daños que puedan causar los tornillos, clavos y otros objetos sobre la pieza de trabajo; retírelos antes de empezar a trabajar
- Compruebe siempre que la tensión de alimentación es la misma que la indicada en la placa de características de la herramienta
- **No trabaje materiales que contengan amianto** (el amianto es cancerígeno)
- No sujete la herramienta a un banco
- Utilice cables de extensión seguros y completamente desenrollados con una capacidad de 16 amperios
- El nivel de ruido, con la herramienta trabajando, podrá sobrepasar 85 dB(A); usar protectores auditivos
- El polvo del material, como la pintura que contiene plomo, algunas especies de madera, minerales y metal podrían ser dañinos (el contacto o inhalación del polvo podría producir reacciones alérgicas y trastornos respiratorios al operador o a otras personas que se encontrasen en la zona); **utilice una máscara contra el polvo y trabaje con un dispositivo de extracción de polvo cuando lo conecte**
- Ciertos tipos de polvo están catalogados como cancerígenos (por ejemplo el polvo de roble y de haya) especialmente junto con aditivos para el acondicionamiento de la madera; **utilice una máscara contra el polvo y trabaje con un dispositivo de extracción de polvo cuando lo conecte**
- Siga la normativa nacional en cuanto a extracción de polvo, en función de los materiales que vayan a ser utilizados
- Asegúrese de que la herramienta está apagada cuando la enchufe

#### DURANTE EL USO

- Mantenga siempre el cable lejos de las partes móviles de la herramienta; mantenga el cable detrás de usted, lejos de la herramienta
- No utilice la herramienta cuando la base R ② (= guarda de protección) esté dañada; hágala cambiar por una

persona cualificada

- Nunca utilice la herramienta si el cable está dañado; debe ser sustituido por un cable especialmente preparado disponible a través de la organización de asistencia.
- Aparte las manos y los dedos de la broca al conectar la herramienta
- Nunca exceda de la profundidad máxima de corte de la broca de ranuradora cuando corte
- En el caso de que se produjera un mal funcionamiento eléctrico o mecánico, apague inmediatamente la herramienta y desconecte el enchufe
- En caso de que se bloquee la broca, obteniendo como resultado que la herramienta funcione a trompicones, apague inmediatamente la herramienta
- En caso de producirse un corte de corriente o cuando el enchufe se desconecta accidentalmente, desactive inmediatamente la herramienta para evitar que se ponga en marcha accidentalmente
- No aplique mucha presión sobre la herramienta para evitar que se pare

#### DESPUÉS DEL USO

- Tras finalizar el trabajo, afloje la palanca J ②, guíe la herramienta a la posición de partida y desconéctela

#### EXPLICACIÓN DE LOS SÍMBOLOS DE LA HERRAMIENTA

- ③ Lea el manual de instrucciones antes de utilizarla
- ④ Doble aislamiento (no requiere cable de tierra)
- ⑤ No deseche la herramienta junta con los residuos domésticos

## USO

- Montaje/desmontaje de las brocas ⑥
  - ! **apague la herramienta y desconecte el enchufe**
  - ! **compruebe que el eje de la broca está perfectamente limpio**
  - ! **compruebe que la medida de la pinza (6 mm, 6,35 mm, 8 mm) corresponda con la medida del eje de la broca**
  - ponga la herramienta del revés
  - bloquee el eje empujando el cierre A (girar la tuerca B de la pinza, si es necesario) y manténgalo mientras tanto

#### PARA MONTAR:

- suelte la tuerca B de la pinza con la llave C
- inserte la broca dejando poco espacio x en la pinza ⑦
- apriete bien la tuerca de la pinza con la llave C

- suelte el cierre A

#### PARA DESMONTAR:

- suelte la tuerca B de la pinza con la llave C
- retire la broca
- suelte el cierre A

! **para aflojar la broca, puede ser necesario dar unos golpes en su parte superior empleando un martillo y una pieza de madera para proteger la broca**

! **nunca apriete la tuerca de la pinza si no tiene puesta la broca, ya que se podría dañar la pinza**

- Cambio de pinzas de sujeción ⑦
  - ! **apague la herramienta y desconecte el enchufe**
  - ! **compruebe que el eje de la pinza está perfectamente limpio**
  - afloje la tuerca de la pinza B 2 ó 3 vueltas

- dé unos golpecitos en la tuerca de la pinza B con la llave C
- retire la tuerca de la pinza B y la pinza (bloquee el eje)
- ponga la herramienta del revés
- inserte una nueva pinza en el eje de la pinza
- monte la tuerca de la pinza B (bloquee el eje)
- ! **nunca apriete la tuerca de la pinza si no tiene puesta la broca, ya que se podría dañar la pinza**
- Ajustar la profundidad de fresado ⑧
  - ! **apague la herramienta y desconecte el enchufe**
  - lleve el ajuste fino a su posición central girando el mando E hasta el final, luego gire 4 vueltas completas en sentido inverso y lleve la escala F a 0 ③a
  - gire la torrecilla revólver G de modo que su posición más baja encaje en su lugar justo debajo del tope de profundidad D (para ajuste a cero) ③b
  - afloje el mando H de modo que el tope de profundidad D caiga sobre la torrecilla revólver con topes de profundidad G ③b
  - coloque la herramienta sobre la pieza de trabajo
  - afloje la palanca de bloqueo J ③c
  - apriete la herramienta hacia abajo hasta que la broca toque la pieza de trabajo ③d
  - suelte y apriete la palanca de bloqueo J ③e
  - mueva el visor de profundidad AC a 0 mm ③f
  - eleve el tope de profundidad D los mm equivalentes a la profundidad de fresado deseada y apriete el mando H ③f
  - afloje la palanca de bloqueo J y guíe la herramienta de nuevo hacia arriba
  - utilice el mando de ajuste fino E para ajustar la profundidad de fresado con más precisión (0..±8 mm); las marcas de la escala F corresponden a 0,1 mm, 1 vuelta completa corresponde a 2,0 mm
  - con torrecilla revólver con topes de profundidad G, la profundidad de fresado se puede aumentar de modo escalonado respectivamente (recomendado para cortes profundos)
  - ! **reajuste la profundidad de fresado tras haber cambiado las brocas**
- Control de velocidad ⑨
  - Para obtener resultados óptimos de fresado en diferentes materiales
  - seleccione la velocidad de fresado mediante la rueda K (también puede hacerlo mientras la herramienta funciona)
  - utilice la tabla ⑩ como referencia para determinar la velocidad de fresado correcta
  - antes de empezar un trabajo, encuentre la velocidad óptima experimentando en material sobrante
  - ! **después de largos periodos de trabajo a baja velocidad, permita que la herramienta se enfríe haciéndola funcionar durante 3 minutos aproximadamente a alta velocidad y sin carga**
- Luz LED AD ⑪
  - La luz LED AD se enciende automáticamente cuando se activa el gatillo M
- Aspiración de polvo
  - monte el adaptador para el aspirador L de la forma ilustrada ⑫a
  - conecte la manguera del aspirador al adaptador del aspirador L ⑫b

- Utilización de la herramienta ⑬
- ! **mantenga siempre firme la herramienta con ambas manos**
- ! **durante el trabajo, sujete siempre la herramienta por la(s) zona(s) de empuñadura de color gris**
- coloque la herramienta sobre la pieza de trabajo
- poner en marcha su herramienta primero apretando el botón N (= interruptor de seguridad que no puede bloquearse) y luego tirando del gatillo M
- ! **antes de trabajar sobre una pieza, la herramienta deberá alcanzar su velocidad máxima**
- afloje la palanca de bloqueo J y lentamente empuje hacia abajo la herramienta hasta que el tope de profundidad D alcance la torrecilla revólver G
- apriete la palanca de bloqueo J
- frese con un avance uniforme
- utilice la herramienta con la base plana sobre la pieza de trabajo
- como regla general, se debe trabajar tirando la herramienta, no empujando
- tras finalizar el trabajo, afloje la palanca J y guíe la herramienta a la posición de partida
- suelte el gatillo M
- Guía correcta ⑭
- tenga en cuenta que la broca gira en el sentido de las agujas de reloj
- guíe la herramienta de forma que no se salga de la pieza al trabajar
- Montaje de la plancha de adaptación P (para hacer copias con un patrón) ⑮
- Montaje de la guía lateral Q ⑯
- introduzca las varillas Y de la guía lateral a través de los agujeros en la base R
- deslice la guía lateral al ancho deseado y sujétela con 2 perillas Z
- Uso de la guía lateral como guía circular ⑰
- ! **en primer lugar, invierta la guía lateral**
- sujete la espiga AA con la tuerca AB como se muestra en la ilustración
- inserte las varillas Y en la placa base R
- perforo con la espiga AA el centro marcado del arco circular
- sujete la guía lateral con 2 perillas Z
- guíe la herramienta mediante una alimentación constante a través de la pieza de trabajo
- Uso de la guía lateral con el amortiguador curvo W ⑱
- monte el amortiguador curvo W (con el rodillo guía montado) de la forma ilustrada
- guíe la herramienta a lo largo del borde de la pieza de trabajo aplicando ligera presión lateral

## CONSEJOS DE APLICACIÓN

- Para cortes paralelos en el borde de su pieza de trabajo, utilice la guía lateral
- Para cortes paralelos en una pieza de trabajo lejos del borde de la misma ⑬
- sujete con 2 abrazaderas una pieza recta de madera a la pieza de trabajo
- guíe la herramienta con la base a lo largo del borde de la pieza de madera sujeta de modo que ésta sirva de guía lateral
- Cuando use brocas con un vástago guía o rodamiento de bolas, cuide que el vástago guía o rodamiento de bolas

se deslice a lo largo del borde de la pieza a trabajar que debe ser perfectamente lisa ⑰

- Para fresados profundos se recomienda trabajar en varias pasadas ajustando un espesor de viruta reducido
- Si desea más información, visite [www.skil.com](http://www.skil.com)

## MANTENIMIENTO / SERVICIO

- Esta herramienta no está concebida para uso profesional
- Mantenga limpio el cable eléctrico y la herramienta (sobre todo las ranuras de ventilación S ②)
- Lubricar ocasionalmente las barras móviles T ②
- Si a pesar de los esmerados procesos de fabricación y control, la herramienta llegase a averiarse, la reparación deberá encargarse a un servicio técnico autorizado para herramientas eléctricas SKIL
- envíe la herramienta **sin desmontar** junto con una prueba de su compra a su distribuidor o a la estación de servicio más cercana de SKIL (los nombres así como el despiece de piezas de la herramienta figuran en [www.skil.com](http://www.skil.com))
- Tenga presente que los daños debido a sobrecargas o al manejo inadecuado de la herramienta serán excluidos de la garantía (consulte las condiciones de garantía de SKIL en [www.skil.com](http://www.skil.com) o consulte a su distribuidor)

## AMBIENTE

- No deseche las herramientas eléctricas, los accesorios y embalajes junto con los residuos domésticos** (sólo para países de la Unión Europea)
- de conformidad con la Directiva Europea 2012/19/CE sobre residuos de aparatos eléctricos y electrónicos y su aplicación de acuerdo con la legislación nacional, las herramientas eléctricas cuya vida útil haya llegado a su fin se deberán recoger por separado y trasladar a una planta de reciclaje que cumpla con las exigencias ecológicas
- símbolo ⑤ llamará su atención en caso de necesidad de tirarlas

## RUIDOS / VIBRACIONES

- Realizando mediciones según EN 60745, el nivel de presión acústica de esta herramienta es 91,0 dB(A) y el nivel de potencia acústica es de 102,0 dB(A) (incertidumbre K = 3 dB), y la vibración 4,5 m/s<sup>2</sup> suma vectorial triaxial; incertidumbre K = 1,5 m/s<sup>2</sup>)
- El nivel de emisión de vibraciones ha sido medido según una prueba estándar proporcionada en EN 60745; puede utilizarse para comparar una herramienta con otra y como valoración preliminar de la exposición a las vibraciones al utilizar la herramienta con las aplicaciones mencionadas
- al utilizarla para distintas aplicaciones o con accesorios diferentes o con un mantenimiento deficiente, podría **augmentar** de forma notable el nivel de exposición
- en las ocasiones en que se apaga la herramienta o cuando está funcionando pero no está realizando ningún trabajo, se podría **reducir** el nivel de exposición de forma importante
- ! **protégase contra los efectos de la vibración realizando el mantenimiento de la herramienta y sus accesorios, manteniendo sus manos calientes y organizando sus patrones de trabajo**



P

**Tupia**

**1860**

## INTRODUÇÃO

- A ferramenta é utilizada para fresar ranhuras, cantos, perfis e orifícios oblongos em madeira, plástico e materiais leves, assim como fresar cópias
- Esta ferramenta não se destina a utilização profissional
- Leia e guarde este manual de instruções ③

## DADOS TÉCNICOS ①

## ELEMENTOS DA FERRAMENTA ②

- A Bloqueio do eixo
- B Porca do engate
- C Chave
- D Regulação de profundidade
- E Botão de ajuste fino
- F Escala de ajuste fino
- G Torno com batentes de profundidade
- H Botão de ajuste (batente de profundidade)
- J Patilha de bloqueio
- K Rolete de selecção da velocidade
- L Adaptador para aspirador
- M Gatilho para ligar/desligar
- N Interruptor de segurança
- P Placa do adaptador
- Q Guia paralela
- R Placa base
- S Aberturas de ventilação
- T Barras de deslize
- V Tampa de protecção
- W Amortecedor da curva
- Y Guias paralelas
- Z Botão de ajuste da divisória
- AA Pino da guia paralela
- AB Porca da guia paralela
- AC Visor de profundidade
- AD Luz LED

## SEGURANÇA

### INDICAÇÕES GERAIS DE SEGURANÇA PARA FERRAMENTAS ELÉTRICAS

**AVISO** Leia todos os avisos de segurança, instruções, ilustrações e especificações fornecidas com esta ferramenta eléctrica. O incumprimento de todas as instruções enumeradas abaixo poderá resultar em choque eléctrico, incêndio e/ou lesão grave.

Guarde bem todas as advertências e instruções para futura referência.

O termo “ferramenta eléctrica” utilizado a seguir nas

indicações de advertência, refere-se a ferramentas eléctricas operadas com corrente de rede (com cabo de rede) e a ferramentas eléctricas operadas com acumulador (sem cabo de rede).

### 1) SEGURANÇA DA ÁREA DE TRABALHO

- a) **Mantenha a sua área de trabalho limpa e arrumada.** Desordem ou áreas de trabalho com fraca iluminação podem causar acidentes.
- b) **Não trabalhar com a ferramenta eléctrica em áreas com risco de explosão, nas quais se encontrem líquidos, gases ou pós inflamáveis.** Ferramentas eléctricas produzem faíscas que podem provocar a ignição de pó e vapores.
- c) **Mantenha crianças e outras pessoas afastadas da ferramenta eléctrica durante o trabalho com a ferramenta.** Distrações podem causar a falta de controlo sobre o aparelho.

### 2) SEGURANÇA ELÉTRICA

- a) **As fichas das ferramentas eléctricas devem caber na tomada. A ficha não deve ser modificada de modo algum. Não utilize quaisquer fichas de adaptação junto com ferramentas eléctricas ligadas à terra.** Fichas sem modificações e tomadas adequadas reduzem o risco de choques eléctricos.
- b) **Evite que o corpo entre em contacto com superfícies ligadas à terra, como por exemplo tubos, radiadores, fogões e geladeiras.** Há um risco elevado de choques eléctricos, caso o corpo for ligado à terra.
- c) **A ferramenta eléctrica não deve ser exposta à chuva nem humidade.** A penetração de água na ferramenta eléctrica aumenta o risco de choques eléctricos.
- d) **O cabo do aparelho não deve ser utilizado para o transporte, para pendurar o aparelho, nem para puxar a ficha da tomada. Mantenha o cabo afastado de calor, óleo, cantos afiados ou partes em movimento do aparelho.** Cabos danificados ou torcidos aumentam o risco de choques eléctricos.
- e) **Ao trabalhar com a ferramenta eléctrica ao ar livre, use um cabo de extensão apropriado para áreas externas.** O uso de um cabo apropriado para áreas externas reduz o risco de choques eléctricos.
- f) **Se não for possível evitar o funcionamento da ferramenta eléctrica em áreas húmidas, deverá ser utilizado um disjuntor de corrente de avaria.** A utilização de um disjuntor de corrente de avaria reduz o risco de um choque eléctrico.

### 3) SEGURANÇA DE PESSOAS

- a) **Esteja alerta, observe o que está a fazer, e tenha prudência ao trabalhar com a ferramenta eléctrica. Não use a ferramenta eléctrica se estiver fatigado ou sob a influência de drogas, álcool ou medicamentos.** Um momento de falta de atenção durante a operação da ferramenta eléctrica pode causar graves lesões.
- b) **Utilizar equipamento de protecção pessoal e sempre óculos de protecção.** A utilização de equipamento de protecção pessoal, como máscara de protecção contra pó, sapatos de segurança antiderrapantes, capacete de segurança ou protecção auricular, de acordo com o tipo e aplicação da ferramenta eléctrica, reduz o risco de lesões.

- c) **Evitar uma colocação em funcionamento involuntária. Assegure-se de que a ferramenta eléctrica esteja desligada, antes de conectá-la à alimentação de rede e/ou ao acumulador, antes de levantá-la ou de transportá-la.** Se tiver o dedo no interruptor ao transportar a ferramenta eléctrica ou se o aparelho for conectado à alimentação de rede enquanto estiver ligado, poderão ocorrer acidentes.
- d) **Remover chaves de ajustes ou chaves de fenda, antes de ligar a ferramenta eléctrica.** Uma chave de fenda ou chave de ajuste que se encontre numa parte móvel do aparelho, pode levar a lesões.
- e) **Não se sobrestime. Mantenha uma posição firme e mantenha sempre o equilíbrio.** Desta forma poderá ser mais fácil controlar o aparelho em situações inesperadas.
- f) **Use roupa apropriada. Não use roupa larga ou jóias. Mantenha os cabelos e roupas afastados de partes em movimento.** Roupas largas, jóias ou cabelos longos podem ser agarradas por partes em movimento.
- g) **Se for prevista a montagem de dispositivos de aspiração de pó e de dispositivos de recolha, assegure-se de que estão conectados e que sejam utilizados de forma correcta.** A utilização de uma aspiração de pó pode reduzir o perigo devido ao pó.
- h) **Não deixe que a familiaridade resultante de uma utilização frequente de ferramentas permita que você se torne complacente e ignore os princípios de segurança da ferramenta.** Uma acção descuidada pode causar ferimentos graves numa fração de segundo.
- #### 4) USO E TRATAMENTO DE FERRAMENTAS ELÉTRICAS
- a) **Não sobrecarregue a ferramenta eléctrica. Use para o seu trabalho a ferramenta eléctrica correcta.** A ferramenta correcta realizará o trabalho de forma melhor e mais segura dentro da faixa de potência indicada.
- b) **Não utilize a ferramenta eléctrica se o interruptor não puder ser ligado nem desligado.** Qualquer ferramenta eléctrica que não possa ser controlada através do interruptor de ligar-desligar, é perigosa e deve ser reparada.
- c) **Puxar a ficha da tomada e/ou remover o acumulador, se amovível, antes de executar ajustes na ferramenta, de substituir acessórios ou de guardar a ferramenta.** Esta medida de segurança evita que a ferramenta eléctrica seja ligada acidentalmente.
- d) **Guarde ferramentas eléctricas que não estiverem sendo utilizadas, for a do alcance de crianças. Não permita que o aparelho seja utilizado por pessoas não familiarizadas com o mesmo ou que não tenham lido estas instruções.** Ferramentas eléctricas são perigosas nas mãos de pessoas sem treinamento.
- e) **Trate a ferramenta eléctrica e os acessórios com cuidado.** Verifique se as partes móveis do aparelho funcionam perfeitamente e não emperram, se há peças quebradas ou danificadas, que possam influenciar o funcionamento do aparelho. Peças danificadas devem ser reparadas antes da utilização do aparelho. Muitos acidentes tem como causa uma manutenção insuficiente das ferramentas eléctricas.
- f) **Mantenha as ferramentas de corte sempre afiadas e limpas.** Ferramentas de cortes devidamente tratadas,

com cantos afiados travam com menos frequência e podem ser controladas com maior facilidade.

- g) **Use a ferramenta eléctrica, os acessórios os bits da ferramenta etc., de acordo com estas instruções. Considere também as condições de trabalho e o trabalho a ser efectuado.** A utilização da ferramenta eléctrica para outros fins que os previstos, pode resultar em situações perigosas.
- h) **Mantenha os punhos e as superfícies de agarrar secas, limpas e livres de óleo e massa consistente.** Punhos e superfícies de agarrar escorregadias não permitem o manuseio e controlo seguros da ferramenta em situações inesperadas.
- #### 5) SERVIÇO
- a) **A sua ferramenta eléctrica só deve ser reparada por pessoal qualificado e só devem ser colocadas peças sobressalentes originais.** Desta forma é assegurada a segurança da ferramenta eléctrica.

#### INSTRUÇÕES DE SEGURANÇA PARA TUIPIAS

- **Segure a ferramenta eléctrica pelas superfícies de fixação, porque o cortador pode contactar com o cabo** (o corte de um fio "eléctrico" pode expor as peças metálicas da ferramenta eléctrica e pode originar um choque eléctrico no operador)
- **Utilize os grampos ou outra forma prática para apoiar e fixar a peça de trabalho numa plataforma estável** (segurar o trabalho com a mão ou contra o corpo deixa a peça instável e pode provocar a perda de controlo)

#### GENERAL

- Esta ferramenta não deve ser utilizada por pessoas menores de 16 anos
- Desligue sempre a ficha da tomada antes de proceder a qualquer ajustamento ou troca de acessório

#### ACESSÓRIOS

- A SKIL só pode garantir um funcionamento perfeito da ferramenta, quando utilizada com os acessórios originais
- Utilize apenas acessórios com um número de rotação admissível no mínimo tão alto como o mais alto número de rotação em vazio da ferramenta
- Não utilize fresas que estejam danificadas ou deformadas
- Utilize apenas fresas afiadas
- Proteja os acessórios contra impacto, choques e gordura
- Utilize sempre fresas HSS (aço de alto rendimento) ou HM (metal duro) com esta ferramenta

#### ANTES DA UTILIZAÇÃO

- Evite danificar a ferramenta em superfícies com pregos ou parafusos; remova-os antes de começar a trabalhar
- Certifique-se sempre de que a tensão de alimentação está de acordo com a tensão indicada na placa de identificação da ferramenta
- **Não processe material que contenha asbesto** (asbesto é considerado como sendo cancerígeno)
- Não fixe a ferramenta num torno
- Utilize extensões completamente desenroladas e seguras, com uma capacidade de 16 Amp
- O nível de ruído durante o trabalho pode exceder 85 dB(A); utilize protectores auriculares
- O pó do material, como tinta com chumbo, algumas espécies de madeira, minerais e metais, pode ser prejudicial (contacto ou inalação do pó pode provocar reacções alérgicas e/ou doenças respiratórias ao

operador ou às pessoas presentes); **use máscara respiratória e trabalhe com um dispositivo de extracção de pó quando ligado a**

- Determinados tipos de pó são classificados como substâncias cancerígenas (como pó de carvalho e faia), em especial, juntamente com aditivos para acondicionamento da madeira; **use máscara respiratória e trabalhe com um dispositivo de extracção de pó quando ligado a**
- Siga o regulamento nacional quanto a extracção de pó, em função dos materiais que vão ser utilizados
- Certifique-se de que a ferramenta está desligada antes de colocar a ficha na tomada

#### DURANTE A UTILIZAÇÃO

- Mantenha sempre o fio afastado das peças rotativas da ferramenta; coloque o fio para trás, fora do alcance da ferramenta
- Não utilizar a ferramenta caso o fio ou a base R ② (= protecção de segurança) estejam danificados; mande-os substituir por pessoal qualificado
- Nunca use a ferramenta se o cabo estiver danificado; este tem de ser substituído por um cabo especialmente preparado disponível através da organização de assistência.
- Mantenha sempre as mãos e os dedos afastados da fresa quando a ferramenta estiver a trabalhar
- Nunca exceda a profundidade máxima de fresagem da fresa enquanto cortar
- Em caso de anomalias eléctricas ou mecânicas, desligue imediatamente a ferramenta e tire a ficha da tomada
- Caso a fresa fique bloqueada, resultando em sacões transmitidos à ferramenta, desligue imediatamente a ferramenta
- Em caso de interrupção na corrente ou se a ficha for retirada da tomada por engano, desligue imediatamente a ferramenta para impedir que volte a arrancar descontrolada
- Não aplique demasiada pressão na ferramenta que a faça parar

#### APÓS A UTILIZAÇÃO

- Após terminar o trabalho, solte a patilha J ②, recoloque a ferramenta na posição inicial superior e em seguida desligue-a

#### EXPLICAÇÃO DOS SÍMBOLOS DA FERRAMENTA

- ③ Leia o manual de instruções antes de utilizar o equipamento
- ④ Isolamento duplo (nenhum fio de terra necessário)
- ⑤ Não deite a ferramenta no lixo doméstico

## MANUSEAMENTO

- Montagem/desmontagem das fresas ⑥  
**! desligue a ferramenta e tire a ficha da tomada**  
**! assegure-se que o eixo da fresa se encontra perfeitamente limpo**  
**! assegure-se que o tamanho do engate (6 mm, 6,35 mm, 8 mm) corresponde ao tamanho do eixo da fresa**
    - volte a ferramenta ao contrário
    - trave o eixo carregando no bloqueio do eixo A (rode a porca de engate B, se necessário) e mantenha-o nessa posição, enquanto
- PARA MONTAR:
- desaperte a porca de engate B com a chave C
  - introduza a fresa com um pouco de espaço x no engate ⑦

- fixe a porca de engate com a chave C
  - solte o bloqueio do eixo A
- PARA DESMONTAR:
- desaperte a porca de engate B com a chave C
  - desmonte a fresa
  - solte o bloqueio do eixo A
  - ! para soltar a fresa pode ser necessário bater no topo da mesma usando um martelo e um pedaço de madeira para proteger a fresa**
  - ! nunca fixe a porca de engate se não houver uma fresa no engate**

- Substituição de engates ⑦  
**! desligue a ferramenta e tire a ficha da tomada**  
**! assegure-se que o eixo do engate se encontra perfeitamente limpo**
  - desaperte a porca de engate B 2 ou 3 voltas
  - bata na porca de engate B com a chave C
  - desmonte a porca de engate B e o engate (trave o eixo)
  - volte a ferramenta ao contrário
  - introduza um novo engate no eixo de engate
  - monte a porca de engate B (trave o eixo)
  - ! nunca fixe a porca de engate se não houver uma fresa no engate**
- Regulação da profundidade de fresagem ⑧  
**! desligue a ferramenta e tire a ficha da tomada**
  - defina o ajuste fino na sua posição central rodando o botão E até ao fim e, em seguida, rode-o na direcção contrária quatro voltas completas e defina a escala F como 0 ⑧a
  - rode o torno G de modo a que a posição mais baixa se fixe no local debaixo do indicador de profundidade D (para zero) ⑧b
  - desaperte o botão H de modo a que a regulação de profundidade D desça até ao torno com batente de profundidade G ⑧b
  - coloque a ferramenta na peça a trabalhar
  - desaperte a alavanca de fixação J ⑧c
  - desça a ferramenta até que a fresa toque a peça a trabalhar ⑧d
  - liberte e aperte a alavanca de fixação J ⑧e
  - movimente o visor de profundidade AC para 0 mm ⑧ f
  - eleve a regulação de profundidade D tantos mm quantos a profundidade de fresagem pretendida e aperte o botão H ⑧f
  - desaperte a alavanca de fixação J e oriente a ferramenta para cima novamente
  - use o botão de ajuste fino E para definir a profundidade de fresagem de forma mais exacta (0...±8 mm); as marcas na escala F correspondem a 0,1 mm, uma volta completa corresponde a 2,0 mm
  - com torno de batente de profundidade G a profundidade de fresagem pode ser aumentada por passos, respectivamente (recomendado para cortes profundos)
  - ! reajuste a profundidade de fresagem depois de mudar as porcas de engate**
- Controlo de velocidade ⑨  
Para a obtenção de resultados de fresagem óptimos em materiais diferentes
  - seleccione a velocidade de fresagem com a roda K (também quando a ferramenta está a funcionar)
  - use a tabela ⑩ como referência para determinar a velocidade de fresagem correcta



- antes de iniciar um trabalho, determine a velocidade óptima experimentando em material de sobra
- ! ao fim de períodos longos de trabalho a velocidade reduzida, deixe arrefecer a ferramenta fazendo-a funcionar durante aproximadamente 3 minutos a alta velocidade sem carga**
- Luz LED AD <sup>11</sup>
  - A luz LED AD acende automaticamente ao ativar o interruptor M
- Aspiração de pó
  - monte o adaptador para aspirador L como ilustrado <sup>12a</sup>
  - ligue o tubo do aspirador ao adaptador do aspirador L <sup>12b</sup>
- Utilização da ferramenta <sup>13</sup>
  - ! segure sempre a ferramenta firmemente com ambas as mãos**
  - ! durante o trabalho, segure sempre a ferramenta na(s) área(s) de fixação cinzenta(s)**
  - coloque a ferramenta na peça a trabalhar
  - ligue a ferramenta premindo primeiro o botão N (= interruptor de segurança que não pode ser trancado) e depois apertando o gatilho M
  - ! a ferramenta deve trabalhar na velocidade máxima antes da fresa alcançar a peça a trabalhar**
  - desapele a alavanca de fixação J e empurre lentamente a ferramenta para baixo até a regulação de profundidade D atingir o torno com batente de profundidade G
  - aperte a alavanca de fixação J
  - efectue o processo de fresagem com um avanço uniforme
  - use a ferramenta com a base apoiada na peça a trabalhar
  - como regra geral deve puxar a ferramenta em vez de empurrar
  - após terminar o trabalho, solte a patilha J e recoloque a ferramenta na posição inicial superior
  - soltar o gatilho M
- Condução correcta <sup>14</sup>
  - tenha presente que a fresa roda no sentido dos ponteiros do relógio
  - conduza a ferramenta de modo a que a fresa rode para dentro da peça a trabalhar e não para fora desta
- Montagem da placa adaptadora P (para copiar com um molde) <sup>15</sup>
- Montagem da guia paralela Q <sup>16</sup>
  - introduza as hastes Y da guia nos orifícios da base R
  - regule a guia para a distância desejada e aperte-a utilizando os 2 botões Z
- Usar a guia paralela como guia circular <sup>17</sup>
  - ! inverta primeiro a guia**
  - aperte o pino AA com a porca AB conforme ilustrado
  - introduza as hastes Y na placa de base R
  - introduza o pino AA no centro marcado do arco circular
  - aperte a guia paralela utilizando os 2 botões Z
  - guie a ferramenta com uma alimentação constante através da peça de trabalho
- Usar a guia paralela com o amortecedor de curva W <sup>18</sup>
  - monte o amortecedor de curva W (com o rolete guia montado) conforme ilustrado
  - guie a ferramenta ao longo do bordo da peça de trabalho com uma ligeira pressão lateral

## CONSELHOS DE APLICAÇÃO

- Para cortes paralelos com os lados de sua peça de trabalho utilize o guia paralela
- Para cortes paralelos na peça de trabalho longe dos bordos <sup>13</sup>
  - fixe uma tira de madeira por meio de 2 grampos
  - guie a fresa com a parte da base sobre o bordo da tira de madeira, que deste modo funciona como guia paralela
- Quando utilizar fresas com guia ou com rolamento de esferas, a guia ou o rolamento de esferas deve deslizar ao longo dos bordos da peça a trabalhar que devem ser perfeitamente lisos <sup>19</sup>
- Para maiores profundidades de fresagem é recomendável efectuar vários cortes sucessivos com menores taxas de remoção
- Para mais informação, consulte [www.skil.com](http://www.skil.com)

## MANUTENÇÃO / SERVIÇO

- Esta ferramenta não se destina a utilização profissional
- Mantenha a ferramenta e o fio sempre limpos (especialmente as ranhuras de respiração S <sup>2</sup>)
- Lubrifique as barras de deslize T <sup>2</sup> ocasionalmente
- Se a ferramenta falhar apesar de cuidadosos processos de fabricação e de teste, a reparação deverá ser executada por uma oficina de serviço autorizada para ferramentas eléctricas SKIL
  - envie a ferramenta **sem desmontar**, juntamente com a prova de compra, para o seu revendedor ou para o centro de assistência SKIL mais próximo (os endereços assim como a mapa de peças da ferramenta estão mencionados no [www.skil.com](http://www.skil.com))
- Não se esqueça de que os danos provocados por sobrecarga ou manuseamento incorrecto da ferramenta estão excluídos da garantia (para mais informações sobre as condições da garantia da SKIL, consulte [www.skil.com](http://www.skil.com) ou pergunte ao seu revendedor)

## AMBIENTE

- **Não deite ferramentas eléctricas, acessórios e embalagem no lixo doméstico** (apenas para países da UE)
  - de acordo com a directiva europeia 2012/19/CE sobre ferramentas eléctricas e electrónicas usadas e a transposição para as leis nacionais, as ferramentas eléctricas usadas devem ser recolhidas em separado e encaminhadas a uma instalação de reciclagem dos materiais ecológica
  - símbolo <sup>5</sup> lhe avisará em caso de necessidade de arranjar-las

## RUÍDO / VIBRAÇÃO

- O nível de pressão sonora desta ferramenta, medido de acordo com a EN 60745, é de 91,0 dB(A) e o nível de potência acústica é de 102,0 dB(A) (incerteza K = 3 dB), e a vibração 4,5 m/s<sup>2</sup> (soma do vector triax; incerteza K = 1,5 m/s<sup>2</sup>)
- O nível de emissão de vibrações foi medido de acordo com um teste normalizado fornecido na EN 60745; pode ser utilizado para comparar uma ferramenta com outra e como uma avaliação preliminar de exposição à

vibração quando utilizar a ferramenta para as aplicações mencionadas

- utilizar a ferramenta para diferentes aplicações ou com acessórios diferentes ou mantidos deficientemente, pode **umentar** significativamente o nível de exposição

- o número de vezes que a ferramenta é desligada ou quando estiver a trabalhar sem fazer nada, pode **reduzir** significativamente o nível de exposição

**! proteja-se contra os efeitos da vibração, mantendo a ferramenta e os acessórios, mantendo as mãos quentes e organizando os padrões de trabalho**

I

**Fresatrice**

**1860**

## INTRODUZIONE

- L'utensile è idoneo per la fresatura di scanalature, bordi, profili e fori longitudinali nel legno, nelle materie plastiche ed in materiali leggeri da costruzione, ed anche per la copiatura
- Questo utensile non è inteso per un uso professionale
- Leggete e conservate questo manuale di istruzione ③

## DATI TECNICI ①

## ELEMENTI UTENSILE ②

- A** Bloccaggio dell'albero
- B** Dado colletto
- C** Chiave
- D** Asta di profondità
- E** Manopola di regolazione fine
- F** Scala di regolazione fine
- G** Torretta con fermi di profondità
- H** Manopola di regolazione (asta di profondità)
- J** Leva di blocco
- K** Rotella selezione velocità
- L** Adattatore per aspirapolvere
- M** Interruttore di acceso/spento
- N** Interruttore di sicurezza
- P** Piastra dell'adattatore
- Q** Guida parallela
- R** Piastra base
- S** Feritoie di ventilazione
- T** Prolunghe scorrevoli
- V** Coperchio protettivo
- W** Buffer curvo
- Y** Aste della guida parallela
- Z** Manopola per la regolazione della guida parallela
- AA** Perno della guida parallela
- AB** Dado della guida parallela
- AC** Visore di profondità
- AD** Spia LED

## SICUREZZA

### AVVERTENZE GENERALI DI PERICOLO PER ELETTROUTENSILI

**AVVERTENZA** Leggere tutte le avvertenze di

**sicurezza, istruzioni, illustrazioni e specifiche fornite con l'utensile.** La mancata osservanza di tutte le istruzioni sottoelencate potrebbe causare delle scariche elettriche, principi d'incendio e/o gravi lesioni.

### Conservare tutte le avvertenze di pericolo e le istruzioni operative per ogni esigenza futura.

Il termine "elettroutensile" utilizzato nelle avvertenze di pericolo si riferisce ad elettroutensili alimentati dalla rete (con linea di allacciamento) ed ad elettroutensili alimentati a batteria (senza linea di allacciamento).

#### 1) SICUREZZA DELLA POSTAZIONE DI LAVORO

- Mantenere pulito ed ordinato il posto di lavoro.** Il disordine o le zone di lavoro non illuminate possono essere fonte di incidenti.
- Evitare d'impiegare l'elettroutensile in ambienti soggetti al rischio di esplosioni nei quali si trovino liquidi, gas o polveri infiammabili.** Gli elettroutensili producono scintille che possono far infiammare la polvere o i gas.
- Mantenere lontani i bambini ed altre persone durante l'impiego dell'elettroutensile.** Eventuali distrazioni potranno comportare la perdita del controllo sull'elettroutensile.

#### 2) SICUREZZA ELETTRICA

- La spina per la presa di corrente dovrà essere adatta alla presa. Evitare assolutamente di apportare modifiche alla spina. Non impiegare spine adattatrici assieme ad elettroutensili con collegamento a terra.** Le spine non modificate e le prese adatte allo scopo riducono il rischio di scosse elettriche.
  - Evitare il contatto fisico con superfici collegate a terra, come tubi, riscaldamenti, cucine elettriche e frigoriferi.** Sussiste un maggior rischio di scosse elettriche nel momento in cui il corpo è messo a massa.
  - Custodire l'elettroutensile al riparo dalla pioggia o dall'umidità.** L'eventuale infiltrazione di acqua in un elettroutensile va ad aumentare il rischio d'insorgenza di scosse elettriche.
  - Non usare il cavo per scopi diversi da quelli previsti al fine di trasportare o appendere l'elettroutensile, oppure di togliere la spina dalla presa di corrente. Mantenere l'elettroutensile al riparo da fonti di calore, dall'olio, dagli spigoli o da pezzi in movimento.** I cavi danneggiati o aggrovigliati aumentano il rischio d'insorgenza di scosse elettriche.
  - Qualora si voglia usare l'elettroutensile all'aperto, impiegare solo ed esclusivamente cavi di prolunga omologati per l'impiego all'esterno.** L'uso di un cavo di prolunga omologato per l'impiego all'esterno riduce il rischio d'insorgenza di scosse elettriche.
  - Qualora non fosse possibile evitare di utilizzare l'elettroutensile in ambiente umido, utilizzare un interruttore di messa a terra.** L'uso di un interruttore di messa a terra riduce il rischio di una scossa elettrica.
- #### 3) SICUREZZA DELLE PERSONE
- È importante concentrarsi su ciò che si sta facendo e a maneggiare con giudizio l'elettroutensile durante le operazioni di lavoro. Non utilizzare l'elettroutensile in caso di stanchezza o sotto**

#### **l'effetto di droghe, bevande alcoliche e medicinali.**

Un attimo di distrazione durante l'uso dell'elettrotensile potrà causare lesioni gravi.

- b) **Indossare sempre equipaggiamento protettivo individuale. Usare sempre protezioni per gli occhi.**  
Se si avrà cura d'indossare equipaggiamento protettivo individuale come la maschera antipolvere, la calzatura antidrucciolevole di sicurezza, il casco protettivo o la protezione dell'udito, a seconda dell'impiego previsto per l'elettrotensile, si potrà ridurre il rischio di ferite.
- c) **Evitare l'accensione involontaria dell'elettrotensile. Prima di collegarlo alla rete di alimentazione elettrica e/o alla batteria ricaricabile, prima di prenderlo oppure prima di iniziare a trasportarlo, assicurarsi che l'elettrotensile sia spento.**  
Tenendo il dito sopra l'interruttore mentre si trasporta l'elettrotensile oppure collegandolo all'alimentazione di corrente con l'interruttore inserito, si vengono a creare situazioni pericolose in cui possono verificarsi seri incidenti.
- d) **Togliere gli attrezzi di regolazione o la chiave inglese prima di accendere l'elettrotensile.** Un elettrotensile o una chiave inglese che si trovino in una parte dell'elettrotensile in rotazione potranno causare lesioni.
- e) **È importante non sopravvalutarsi. Avere cura di mettersi in posizione sicura e di mantenere l'equilibrio.** In tale maniera sarà possibile controllare meglio l'elettrotensile in situazioni inaspettate.
- f) **Indossare vestiti adeguati. Evitare di indossare vestiti lenti o gioielli. Tenere capelli e vestiti lontani da parti in movimento.** Vestiti lenti, gioielli o capelli lunghi potranno impigliarsi in pezzi in movimento.
- g) **Se sussiste la possibilità di montare dispositivi di aspirazione o di captazione della polvere, assicurarsi che gli stessi siano stati installati correttamente e vengano utilizzati senza errori.**  
L'utilizzo di un'aspirazione polvere può ridurre lo svilupparsi di situazioni pericolose dovute alla polvere.
- h) **Una volta presa confidenza con gli utensili, evitare di trascurare le norme di sicurezza.** Una mancanza di attenzione può causare gravi lesioni in una frazione di secondo.
- #### **4) MANEGGIO ED IMPIEGO ACCURATO DI ELETTROTENSILI**
- a) **Non sovraccaricare l'elettrotensile. Impiegare l'elettrotensile adatto per sbrigare il lavoro.**  
Utilizzando l'elettrotensile adatto si potrà lavorare meglio e con maggior sicurezza nell'ambito della gamma di potenza indicata.
- b) **Non utilizzare elettrotensili con interruttori difettosi.** Un elettrotensile che non si può più accendere o spegnere è pericoloso e dovrà essere riparato.
- c) **Prima di procedere ad operazioni di regolazione sull'elettrotensile, prima di sostituire parti accessorie oppure prima di posare l'elettrotensile al termine di un lavoro, estrarre sempre la spina dalla presa della corrente e/o estrarre la batteria ricaricabile, se rimovibile.** Tale precauzione eviterà che l'elettrotensile possa essere messo in funzione inavvertitamente.
- d) **Custodire gli elettrotensili non utilizzati al di**

**fuori della portata dei bambini. Non fare usare l'elettrotensile a persone che non sono abituate ad usarlo o che non abbiano letto le presenti istruzioni.**  
Gli elettrotensili sono pericolosi se utilizzati da persone inesperte.

- e) **Eseguire la manutenzione degli elettrotensili e degli accessori. Verificare che le parti mobili dell'elettrotensile funzionino perfettamente e non s'inceppino, che non ci siano pezzi rotti o danneggiati al punto tale da limitare la funzione dell'elettrotensile stesso. Far riparare le parti danneggiate prima d'impiegare l'elettrotensile.**  
Numerosi incidenti vengono causati da elettrotensili la cui manutenzione è stata effettuata poco accuratamente.
- f) **Mantenere affilati e puliti gli elettrotensili da taglio.** Gli elettrotensili da taglio curati con particolare attenzione e con taglianti affilati s'inceppano meno frequentemente e sono più facili da condurre.
- g) **Utilizzare elettrotensili, accessori, attrezzi, ecc. in conformità con le presenti istruzioni. Osservare le condizioni di lavoro ed il lavoro da eseguirsi durante l'impiego.** L'impiego di elettrotensili per usi diversi da quelli consentiti potrà dar luogo a situazioni di pericolo.
- h) **Mantenere impugnature e superfici di presa asciutte, pulite e prive di olio e grasso.** Impugnature e superfici di presa scivolose non consentono di manipolare e controllare l'utensile in caso di situazioni inaspettate.
- #### **5) ASSISTENZA**
- a) **Fare riparare l'elettrotensile solo ed esclusivamente da personale specializzato e solo impiegando pezzi di ricambio originali.** In tale maniera potrà essere salvaguardata la sicurezza dell'elettrotensile.

#### **ISTRUZIONI DI SICUREZZA PER FRESATRICI**

- **Afferrare l'elettrotensile alle superfici di impugnatura isolate, perché le lame di taglio potrebbe entrare a contatto con il proprio cavo** (le lame di taglio che entrano a contatto con un filo sotto tensione possono trasferire tensione alle parti metalliche esposte dell'utensile elettrico e provocare una scossa elettrica all'operatore)
- **Utilizzare morsetti o altre attrezzature per fissare e sostenere il pezzo di lavorazione a una piattaforma stabile** (tenere il pezzo in lavorazione in mano o stretto al corpo è instabile e può far perdere il controllo dell'utensile)

#### **NOTE GENERALI**

- Questo utensile non dev'essere utilizzato da persone di età inferiore ai 16 anni
- Staccate sempre la spina dell'utensile prima di effettuare regolazioni o cambiare gli accessori

#### **ACCESSORI**

- La SKIL garantisce un perfetto funzionamento dell'utensile soltanto se vengono utilizzati accessori originali
- Utilizzate solo accessori il cui numero massimo di giri corrisponda almeno al massimo dei numeri di giri dell'utensile
- Non utilizzate frese danneggiate o deformate
- Utilizzate solo frese affilate
- Proteggere gli accessori da impatto, da urti e dal grasso

- Utilizzate sempre frese in acciaio ad alta velocità (HSS) al carburo di tungsteno con quest'utensile

#### PRIMA DELL'USO

- Evitate possibili danneggiamenti da viti e chiodi sporgenti; rimuoverli prima di iniziare la lavorazione
- Controllare che la tensione dell'alimentazione sia la stessa di quella indicata sulla targhetta dell'utensile
- **Non lavorare mai materiali contenenti amianto** (l'amianto è ritenuto materiale cancerogeno)
- Non serrare l'utensile in una morsa
- Usare cavi di prolunga completamente srotolati e sicure con una capacità di 16 Amp
- Durante le operazioni di lavoro il livello di rumorosità può superare 85 dB(A); utilizzare le cuffie di protezione
- Le polveri di materiali come vernici contenenti piombo, alcune specie di legno, minerali e metallo possono essere nocive (il contatto con queste polveri o la loro inalazione possono causare reazioni allergiche e/o disturbi respiratori all'operatore o ad altre persone presenti sul posto); **indossare una maschera protettiva per la polvere e utilizzare un dispositivo per l'estrazione della polvere se è presente una presa di collegamento**
- Alcuni tipi di polvere sono classificati come cancerogeni (quali le polveri di quercia e faggio) specialmente se associate ad additivi per il trattamento del legno; **indossare una maschera protettiva per la polvere e utilizzare un dispositivo per l'estrazione della polvere se è presente una presa di collegamento**
- Rispettare le istruzioni nazionali riguardanti l'estrazione della polvere per i materiali in lavorazione
- Assicurarsi che l'utensile sia spento quando si inserisce alla rete

#### DURANTE L'USO

- Mantenere sempre il cavo distante dalle parti in movimento dell'utensile; spingere il cavo verso la parte posteriore, distante dall'utensile
- Non usare l'utensile quando la base R ② (= dispositivo di protezione) è danneggiata; farla sostituire da personale qualificato
- Non usare mai l'utensile se il cavo è danneggiato; sostituire con un cavo apposito disponibile presso i centri di assistenza.
- Tenete le mani e le dita lontano dalla fresa quando l'interruttore dell'utensile è acceso
- Non superate la massima profondità di fresatura della fresa durante il fresatura
- Nel caso di cattivo funzionamento elettrico o meccanico, spegnete subito l'utensile e staccate la spina
- Nel caso che la fresa si blocchi, che causa eccessiva forza di spinta sull'utensile, spegnete immediatamente l'utensile
- In caso di mancata corrente oppure quando la spina viene tirata fuori accidentalmente, spegnete immediatamente l'utensile per impedire un avviamento non incontrollato
- Non applicare troppa pressione sull'utensile che si ferma

#### DOPO L'USO

- Una volta terminato il lavoro, allentate la leva J ②, riportate l'utensile alla posizione originaria superiore e spenetelo

#### SPIEGAZIONE DEI SIMBOLI PRESENTI SULL'UTENSILE

- ③ Leggere il manuale di istruzioni prima dell'uso
- ④ Doppio isolamento (non è necessario alcun cavo di terra)
- ⑤ Non gettare l'utensile tra i rifiuti domestici

## USO

- Montare/togliere le frese ⑥
  - ! **spegnete l'utensile e togliete la spina dalla presa di corrente**
  - ! **assicuratevi che l'albero della fresa sia perfettamente pulito**
  - ! **assicuratevi che la misura della pinza (6 mm, 6,35 mm, 8 mm) corrisponda a quella dell'albero della fresa**
  - capovolgete l'utensile
  - bloccate l'albero premendo il sistema di bloccaggio A (girare il dado B della pinza, se necessario) e tenetelo così mentre
- PER MONTARE:
  - allentate il dado B con la chiave C
  - inserire la punta con un po' di spazio x sul colletto ⑦
  - stringete accuratamente il dado con la chiave C
  - rilasciate il sistema di bloccaggio A
- PER TOGLIERE:
  - allentate il dado B con la chiave C
  - rimuovete la fresa
  - rilasciate il sistema di bloccaggio A
  - ! **per liberare la punta della fresa può essere necessario battere con un martello o un pezzo di legno per proteggere la punta**
  - ! **non stringete mai il dado della pinza senza una fresa inserita; la pinza potrebbe danneggiarsi**
- Cambio di colletti ⑦
  - ! **spegnete l'utensile e togliete la spina dalla presa di corrente**
  - ! **assicuratevi che l'albero della pinza sia perfettamente pulito**
  - allentate il dado della pinza B di 2 o 3 giri
  - pigiate il dado della pinza B con la chiave C
  - rimuovete il dado della pinza B e la pinza (bloccate l'albero)
  - capovolgete l'utensile
  - inserite un nuovo pinza nell'albero della pinza
  - montate il dado della pinza B (bloccate l'albero)
  - ! **non stringete mai il dado della pinza senza una fresa inserita; la pinza potrebbe danneggiarsi**
- Regolazione della profondità di fresatura ⑧
  - ! **spegnete l'utensile e togliete la spina dalla presa di corrente**
  - impostare la regolazione fine alla posizione centrale ruotando la manopola E fino alla fine, quindi ruotare indietro per 4 giri completi e impostare la scala F a 0 ⑧a
  - ruotare la torretta G così che la sua posizione più bassa entrerà di scatto nel suo posto precisamente sotto il misuratore di profondità D (taratura a zero) ⑧b
  - allentate la manopola H così che il misuratore di profondità Dcali nella torretta con fermi di profondità G ⑧b
  - collocare l'utensile sul pezzo di lavorazione
  - allentare la leva di bloccaggio J ⑧c
  - spingere l'utensile verso il basso finché la punta a fresa sia in contatto con il pezzo di lavoro ⑧d
  - rilasciare e serrare la leva di bloccaggio J ⑧e
  - spostare il visore di profondità AC a 0 mm ⑧f
  - sollevare l'asta di profondità D del numero di mm necessari per raggiungere la profondità di taglio

- desiderata e serrare la manopola H ⑧f
- svitare la leva di bloccaggio J e guidare lo strumento di nuovo verso l'alto
- utilizzare la manopola di regolazione fine E per impostare la profondità di taglio con maggiore precisione (0..±8 mm); i segni sulla scala F corrispondono a 0,1 mm, 1 giro completo corrisponde a 2,0 mm
- con la torretta con fermi di profondità G la profondità di taglio può essere aumentata rispettivamente (consigliato per tagli profondi)
- ! **regolare nuovamente la profondità di taglio dopo aver modificato le frese**
- Controllo della velocità ⑨
  - Per risultati di fresatura ottimale su materiali diversi
  - selezionate la velocità di fresatura con la rotella K (anche quando l'utensile è in funzione)
  - usate la tabella ⑩ come riferimento per determinare la giusta velocità di fresatura
  - prima di iniziare un lavoro, trovate la velocità ottimale facendo delle prove su del materiale di scarto
  - ! **dopo lunghi periodi di lavoro a bassa velocità, lasciate che l'utensile si raffreddi facendolo funzionare ad alta velocità senza carico per circa 3 minuti**
- Spia LED AD ⑪
  - La spia LED AD si accende automaticamente quando si attiva l'interruttore M
- Aspirazione della polvere
  - montare l'adattatore per aspirapolvere L come illustrato ⑫a
  - collegare il tubo dell'aspirapolvere all'adattatore per aspirapolvere L ⑫b
- Uso dell'utensile ⑬
  - ! **tenete sempre l'utensile con ambedue le mani durante la lavorazione, impugna l'utensile sempre in corrispondenza della(e) area(e) grigia(e)**
  - collocare l'utensile sul pezzo di lavorazione
  - accendete l'utensile premendo innanzi tutto la manopola N (= interruttore di sicurezza, che non può essere bloccato) e poi schiacciando l'interruttore M
  - ! **prima che la fresa raggiunga il pezzo in lavorazione, l'utensile deve girare a piena velocità**
  - svitare la leva J e spingere lentamente l'utensile verso il basso fino a che il misuratore di profondità D raggiunga la torretta con fermi di profondità G
  - serrate la leva di bloccaggio J
  - eseguite l'operazione di fresatura operando con un avanzamento uniforme
  - usate il vostro utensile con la base in posizione piana sul pezzo da lavorare
  - come regola generale si dovrebbe tirare l'utensile, non spingerlo
  - una volta terminato il lavoro, allentate la leva J e riportate l'utensile alla posizione originaria superiore
  - rilasciare l'interruttore M
- Guida in modo appropriato a seconda dei tagli ⑭
  - ricordatevi che la fresa gira in senso orario
  - guidate l'utensile in modo che la fresa giri nel pezzo da lavorare; mai al di fuori
- Montaggio della piastra adattatrice P (per copiare con una sagoma) ⑮

- Montaggio della guida parallela Q ⑯
  - inserite i tondini Y della guida parallela nei fori della base R
  - fate scivolare il riparo di fibra alla profondità desiderata e fissarlo con 2 manopole Z
- Utilizzando la guida parallela come guida circolare ⑰
  - ! **invertite prima la guida parallela**
  - serrare il perno AA con il dado AB come illustrato
  - inserite i tondini Y nella piastra di base R
  - infilate il perno AA nel centro marcato dell'arco circolare
  - fissate la guida parallela con 2 manopole Z
  - guidate l'utensile con consistente avanzamento lungo il pezzo di lavorazione
- Utilizzando la guida parallela con il buffer curvo W ⑱
  - montate il buffer curvo W (col rullo di guida montato) come illustrato
  - guidate l'utensile lungo il bordo del pezzo di lavorazione con leggera pressione laterale

## CONSIGLIO PRATICO


- Per tagli paralleli al lato del pezzo di lavoro usate la guida parallela
- Per tagli paralleli lontani dal lato del pezzo di lavoro ⑲
  - applicate, per mezzo di 2 morsetti, un pezzo di legno dritto al pezzo di lavoro
  - guidate l'utensile con il suo lato piano lungo il bordo del pezzo di legno applicato che funge ora da guida parallela
- Quando si usano frese munite di un perno di guida oppure di un cuscinetto a sfere, il perno di guida oppure il cuscinetto a sfere deve scivolare lungo il bordo del pezzo in lavorazione che dovrebbe essere liscio ⑲
- Per profondità maggiori di fresatura, si raccomanda di eseguire diversi successivi passaggi di fresatura con rispettiva asportazione minore di trucioli
- Per ulteriori informazioni consultare il sito [www.skil.com](http://www.skil.com)

## MANUTENZIONE / ASSISTENZA

- Questo utensile non è inteso per un uso professionale
- Tenete sempre puliti utensile e cavo (soprattutto le feritoie di ventilazione S ②)
- Lubrificare di tanto in tanto le stanghe T ②
- Se nonostante gli accurati procedimenti di produzione e di controllo l'utensile dovesse guastarsi, la riparazione va fatta effettuare da un punto di assistenza autorizzato per gli elettro utensili SKIL
  - inviare l'utensile **non smontato** assieme alle prove di acquisto al rivenditore oppure al più vicino centro assistenza SKIL (l'indirizzo ed il disegno delle parti di ricambio dell'utensile sono riportati su [www.skil.com](http://www.skil.com))
- Tenere presente che danni causati da sovraccarico o utilizzo improprio sono esclusi dalla garanzia (per le condizioni di garanzia SKIL, visitare il sito [www.skil.com](http://www.skil.com) o contattare il proprio rivenditore)

## TUTELA DELL'AMBIENTE

- **Non gettare l'elettro utensile, gli accessori e l'imballaggio con i rifiuti domestici (solo per Paesi UE)**
  - secondo la Direttiva Europea 2012/19/CE sui rifiuti di utensili elettrici ed elettronici e la sua attuazione

in conformità alle norme nazionali, gli elettrodomestici esausti devono essere raccolti separatamente, al fine di essere reimpiagati in modo eco-compatibile  
- il simbolo  vi ricorderà questo fatto in fase di smaltimento


## RUMOROSITÀ / VIBRAZIONE

- Misurato secondo EN 60745, il livello di pressione sonora garantito di questo utensile è di 91,0 dB(A), il livello di rumorosità è di 102,0 dB(A) (incertezza K = 3 dB) e il livello delle vibrazioni di 4,5 m/s<sup>2</sup> (somma vettoriale di tre direzioni; incertezza K = 1.5 m/s<sup>2</sup>)
  - Il livello di emissione delle vibrazioni è stato misurato in conformità a un test standardizzato stabilito dalla norma EN 60745; questo valore può essere utilizzato per mettere a confronto un utensile con un altro o come valutazione preliminare di esposizione alla vibrazione quando si impiega l'utensile per le applicazioni menzionate
    - se si utilizza l'utensile per applicazioni diverse, oppure con accessori differenti o in scarse condizioni, il livello di esposizione potrebbe **aumentare** notevolmente
    - in momenti in cui l'utensile è spento oppure è in funzione ma non viene effettivamente utilizzato per il lavoro, possono contribuire a **ridurre** il livello di esposizione
- ! proteggersi dagli effetti della vibrazione effettuando la manutenzione dell'utensile e dei relativi accessori, mantenendo le mani calde e organizzando i metodi di lavoro**

H

Felsőmaró **1860**

## BEVEZETÉS

- A készülék rögzített fa- és műanyagmunkadarabokban, valamint könnyű építőanyagokban horonymarásra, élek, profilok és ékhornyok marására, valamint másoló marásra szolgál
- A szerszám nem professzionális használatra készült
- Olvassa el figyelmesen és őrizze meg a használati utasítást 

## MŰSZAKI ADATOK


### SZERSZÁMGÉP ELEMEI

- A Tengelyrögzítést
- B A befogópatron anyája
- C Kulcs
- D Mélységbeállító
- E Finombeállító gomb
- F Finombeállító skála
- G Ismétli mélységűtköző
- H Állítógombja (mélységbeállító)
- J Rögzítő kar
- K Sebességszabályzó kerék
- L Porszívó illesztőegység
- M Be-/kikapcsoló
- N Biztonsági kapcsoló
- P Adapterlap
- Q Vezetőléc
- R Alaplemez

- S Szellőzőnyílások
- T Vezetősínek
- V Védőburkolat
- W Ívelt űtköző
- Y Vezetőléc pálcák
- Z Vezetőlécet beállító gomb
- AA Vezetőléc csap
- AB Vezetőléc anyája
- AC Mélységellenző
- AD LED-fény

## BIZTONSÁG

### ÁLTALÁNOS BIZTONSÁGI ELŐÍRÁSOK AZ ELEKTROMOS KÉZISZERSZÁMOKHOZ

 **FIGYELMEZTETÉS** Olvassa el a szerszámgéphez tartozó biztonsági figyelmeztetéseket, utasításokat, ábrákat és specifikációkat. Az alábbi utasítások figyelmen kívül hagyása elektromos áramütéshez, tűzhöz és/vagy súlyos balesethez vezethet.

### Őrizze meg a jövőbeli használatra is valamennyi biztonsági előírást és utasítást.

Az alább alkalmazott "elektromos kéziszerszám" fogalom a hálózati elektromos kéziszerszámokat (hálózati csatlakozó kábelrel) és az akkumulátoros elektromos kéziszerszámokat (hálózati csatlakozó kábel nélkül) foglalja magában.

### 1) MUNKAHELYI BIZTONSÁG

- Tartsa tisztán és tartsa rendben a munkahelyét.** Rendetlen munkahelyek vagy megvilágítatlan munkaterületek balesetekhez vezethetnek.
- Ne dolgozzon az elektromos kéziszerszámmal olyan robbanásveszélyes környezetben, ahol éghető folyadékok, gázok vagy porok vannak.** Az elektromos kéziszerszámok szikrákat bocsáthatnak ki, amelyek meggyújthatják a port vagy a gőzöket.
- Tartsa távol a gyerekeket és az idegen személyeket a munkahelytől, ha az elektromos kéziszerszámot használja.** Ha elvonják a figyelmét a munkától, könnyen elvesztheti az uralmát a berendezés felett.

### 2) ELEKTROMOS BIZTONSÁGI ELŐÍRÁSOK

- A készülék csatlakozó dugójának bele kell illeszkednie a dugaszolóaljzatba. A csatlakozó dugót semmilyen módon sem szabad megváltoztatni. Védőföldeléssel ellátott szerszámokkal kapcsolatban ne használjon csatlakozó adaptert.** A változtatás nélküli csatlakozó dugók és a megfelelő dugaszoló aljzatok csökkentik az áramütés kockázatát.
- Ne érjen hozzá földelt felületekhez, mint csövekhez, fűtőtestekhez, kályhákhoz és hűtőszekrényekhez.** Az áramütési veszély megnövekszik, ha a teste le van földelve.
- Tartsa távol az elektromos kéziszerszámot az esőtől és a nedvesség hatásaitól.** Ha víz hatol be egy elektromos kéziszerszámba, ez megnöveli az áramütés veszélyét.
- Ne használja a kábelt a rendeltetésétől eltérő célokra, vagyis a szerszámot soha ne hordozza vagy akassza fel a kábelnél fogva, és soha ne húzza ki a hálózati csatlakozó dugót a kábelnél fogva.**

- Tartsa távol a kábelt hőforrásoktól, olajtól, éles élektől, sarkaktól és mozgó gépalkatrészekről. Egy megrongálódott vagy csomókkal teli kábel megnöveli az áramütés veszélyét.
- e) **Ha egy elektromos kéziszerszámmal a szabad ég alatt dolgozik, csak a szabadban való használatra engedélyezett hosszabbítót használjon.** A szabadban való használatra engedélyezett hosszabbító használata csökkenti az áramütés veszélyét.
- f) **Ha nem lehet elkerülni az elektromos kéziszerszám nedves környezetben való használatát, alkalmazzon egy földzárlat megszakítót.** Egy földzárlat megszakító alkalmazása csökkenti az áramütés kockázatát.
- 3) SZEMÉLYI BIZTONSÁGI ELŐÍRÁSOK**
- a) **Munka közben mindig figyeljen, ügyeljen arra, amit csinál, és meggondoltan dolgozzon az elektromos kéziszerszámmal. Ha fáradt, ha kábítószerek vagy alkohol hatása alatt áll, vagy orvosságokat vett be, ne használja a berendezést.** A berendezéssel végzett munka közben már egy pillanatnyi figyelmen kívül hagyás is komoly sérülésekhez vezethet.
- b) **Viseljen személyi védőfelszerelést és mindig viseljen védőszemüveget.** A személyi védőfelszerelések, mint porvédő álarc, csúszásbiztos védőcipő, védősapka és fülvédő használata az elektromos kéziszerszám használata jellegének megfelelően csökkenti a személyes sérülések kockázatát.
- c) **Kerülje el a készülék akaratlan üzembe helyezését. Győződjön meg arról, hogy az elektromos kéziszerszám ki van kapcsolva, mielőtt bedugná a csatlakozó dugót a dugaszolóaljzatba, csatlakoztatná az akkumulátor-csomagot, és mielőtt felvenné és vinni kezdené az elektromos kéziszerszámot.** Ha az elektromos kéziszerszám felemelése közben az újjat a kapcsolón tartja, vagy ha a készüléket bekapcsolts állapotban csatlakoztatja az áramforráshoz, ez balesetekhez vezethet.
- d) **Az elektromos kéziszerszám bekapcsolása előtt okvetlenül távolítsa el a beállító szerszámokat vagy csavarkulcsokat.** Az elektromos kéziszerszám forgó részeiben felejtett beállító szerszám vagy csavarkulcs sérüléseket okozhat.
- e) **Ne becsülje túl önmagát. Kerülje el a normálistól eltérő testtartást, ügyeljen arra, hogy mindig biztosan álljon és az egyensúlyát megtartsa.** Így az elektromos kéziszerszám felett váratlan helyzetekben is jobban tud uralkodni.
- f) **Viseljen megfelelő ruhát. Ne viseljen bő ruhát vagy ékszereket. Tartsa távol a haját és a ruháját a mozgó részekről.** A bő ruhát, az ékszereket és a hosszú haját a mozgó alkatrészek magukkal rántathatják.
- g) **Ha az elektromos kéziszerszámra fel lehet szerelni a por elszívásához és összegyűjtéséhez szükséges berendezéseket, ellenőrizze, hogy azok megfelelő módon hozzá vannak kapcsolva a készülékhez és rendeltetésüknek megfelelően működnek.** A porgyűjtő berendezések használata csökkenti a munka során keletkező por veszélyes hatását.
- h) **Ne hagyja, hogy az elektromos kéziszerszám gyakori használata során szerzett tapasztalatok olyan önelégültté tegyék, hogy figyelmen kívül hagyja az idevonatkozó biztonsági alapelveket.** Egy gondatlan művelet egy másodperc törtrésze alatt súlyos sérüléseket okozhat.
- 4) AZ ELEKTROMOS KÉZISZERSZÁMOK GONDOS KEZELÉSE ÉS HASZNÁLATA**
- a) **Ne terhelje túl az elektromos kéziszerszámot. A munkájához csak az arra szolgáló elektromos kéziszerszámmal a megadott teljesítménytartományon belül jobban és biztonságosabban lehet dolgozni.**
- b) **Ne használjon olyan elektromos kéziszerszámot, amelynek a csatlakozója elromlott.** Egy olyan elektromos kéziszerszám, amelyet nem lehet sem be-, sem kikapcsolni, veszélyes és meg kell javíttatni.
- c) **Húzza ki a csatlakozó dugót a dugaszolóaljzathoz és/vagy távolítsa el az akkumulátor-csomagot (ha az leválasztható) az elektromos kéziszerszámotól, mielőtt az elektromos kéziszerszámon beállítási munkákat végez, tartozékokat cserél vagy a szerszámot tárolásra etleszi.** Ez az elővigyázatossági intézkedés megátalja a szerszám akaratlan üzembe helyezését.
- d) **A használaton kívüli elektromos kéziszerszámokat olyan helyen tárolja, ahol azokhoz gyerekek ne férhess nek hozzá. Ne hagyja, hogy olyan személyek használják az elektromos kéziszerszámot, akik nem ismerik a szerszámot, vagy nem olvasták el ezt az útmutatót.** Az elektromos kéziszerszámok veszélyesek, ha azokat gyakorlatlan személyek használják.
- e) **Az elektromos kéziszerszámot és tartozékait gondosan tartsa karban. Ellenőrizze, hogy a mozgó alkatrészek kifogástalanul működnek-e, nincsenek-e beszorulva, és nincsenek-e eltörve vagy megrongálódva olyan alkatrészek, amelyek hatással lehetnek az elektromos kéziszerszám működésére. A megrongálódott részeket a készülék használata előtt javíttassa meg.** Sok olyan baleset történik, amelyet az elektromos kéziszerszám nem kielégítő karbantartására lehet visszavezetni.
- f) **Tartsa tisztán és éles állapotban a vágószerszámokat.** Az éles vágóélekkel rendelkező és gondosan ápolott vágószerszámok ritkábban ékelődnek be és azokat könnyebben lehet vezetni és irányítani.
- g) **Az elektromos kéziszerszámokat, tartozékokat, betétszerszámokat stb. csak ezen előírásoknak használja. Vegye figyelembe a munkafeltételeket és a kivitelezendő munka sajátosságait.** Az elektromos kéziszerszám eredeti rendeltetésétől eltérő célokra való alkalmazása veszélyes helyzetekhez vezethet.
- h) **Tartsa szárazon, tisztán és olaj- és zsírmentes állapotban a fogantyúkat és markoló felületeket.** A csúszós fogantyúk és markoló felületek váratlan helyzetekben lehetetlenné teszik az elektromos kéziszerszám biztonságos kezelését és irányítását.
- 5) SZERVIZ**
- a) **Az elektromos kéziszerszámot csak szakképzett személyzet és csak eredeti pótalkatrészek felhasználásával javíthatja.** Ez biztosítja, hogy az elektromos kéziszerszám biztonságos szerszám maradjon.

## BIZTONSÁGI ELŐÍRÁSOK FELSŐMARÓKHOZ

- **Az elektromos kéziszerszámot csak a szigetelt fogantyúfelületeknél fogja meg, mert a vágó rész elérheti a készülék saját hálózati vezetékét** (ha az elektromos kéziszerszám elvág egy feszültség alatt álló vezetékét, a fémrészei szintén feszültség alá kerülnek, ami áramütéshez vezet)
- **Szorítóval vagy más praktikus módon rögzítse, és támassza meg a munkadarabot egy stabil tartóállványon** (ha csak a kezével tartja vagy a testéhez szorítja a munkadarabot, elveszítheti a stabilitását, valamint az uralmat a gép felett)

### ÁLTALÁNOS TUDNIVALÓK

- A készüléket csak 16 éven felüli személyek használják
- Mindig húzza ki a dugaszolóaljzatot mielőtt tartozékokat cserélné vagy bármit változtatna a gép beállításán

### TARTOZÉKOK

- SKIL cég kizárólag eredeti alkatrészek és kiegészítők alkalmazása esetén tudja garantálni a gép problémamentes működését
- Csak olyan tartozékokat használjon, amelyek legmagasabb megengedett fordulatszáma legalább akkora, mint a berendezés legmagasabb üresjárati fordulatszáma
- Ne használjon károsodott vagy deformálódott marófejet
- Csak éles marófejet dolgozzon
- A tartozékokat védje az ütődésektől és a kenőanyagoktól
- A készüléket csak gyorsacél (HSS) vagy keményfémlapkás marófejjel használja

### HASZNÁLAT ELŐTT

- Ügyeljen arra, hogy a munkadarabban lévő csavar, szög vagy hasonló sérüléseket ne okozhasson; a munka megkezdése előtt eltávolítandó
- Mindig ellenőrizze, hogy a hálózati feszültség megegyezik-e a szerszám adattábláján feltüntetett értékkel
- **Ne munkáljon meg a berendezéssel azbeszttel tartalmazó anyagokat** (az azbesztnak rákkeltő hatása van)
- A gépet tilos satuba fogni
- Használjon teljesen letekert és biztonságos hosszabbítókábelt, 16 A-es teljesítménnyel
- Munka közben a zaj meghaladhatja a 85 dB(A); használjon fülvédőt
- Az anyagból származó por, mint például az ólomot, néhány fafajtát, ásványi anyagokat és fémeket tartalmazó festékek, káros lehet (a por érintése vagy belégzése allergiás reakciókat és/vagy légzőszervi betegségeket okozhat a kezelő, illetve a közelben állók esetében); **viseljen pormaszkot és amennyiben csatlakoztatható, dolgozzon porelszívó berendezéssel**
- Bizonyos porfajták rákkeltő besorolással rendelkeznek (ilyen például a tölgypora és a bükkfa-pora), különösen a fa kondicionálására szolgáló adalékokkal együtt; **viseljen pormaszkot és amennyiben csatlakoztatható, dolgozzon porelszívó berendezéssel**
- Kövesse a por kezelésével kapcsolatos helyi előírásokat azon termékkel kapcsolatosan, amellyel dolgozni kíván
- Győződjön meg róla, hogy a gépet ki legyen kapcsolva mielőtt a hálózati csatlakozóba bedugja

### HASZNÁLAT KÖZBEN

- A gép mozgó részétől mindig tartsa távol az elektromos kábelt; terelje a tápkábelt a gép hátulja felé, a géptől elfelé
- Soha ne használja a szerszámot, ha a talplemez R ② (=

- védőburkolat) sérült; cseréltesse ki szakértő által
- Soha ne használja a szerszámot, ha a kábel sérült; ilyen esetben azt egy speciális kábelre kell lecserélni, amely a szervizelészt végző ügyfélszolgálatnál érhető el.
- A készülék bekapcsolásakor a keze és az uja ne legyen a marófej közelében
- Soha ne lépje túl a marófej maximális marási mélységét munka közben
- Normálított eltérő működés valamint szokatlan, idegen hangok esetén a készüléket azonnal kapcsolja ki és a kábelt húzza ki a fali dugaszoló aljzatból
- Ha a marófej elakad, és emiatt rángat a gép, azonnal kapcsolja ki
- Ha áramszünet következik be, vagy ha a dugós csatlakozót véletlenül kihúzza, azonnal kapcsolja le a berendezést, nehogy a készülék ellenőrizetlenül újrainduljon
- Soha ne fejtessen ki akkora nyomást a gépre, hogy az megálljon

### A HASZNÁLATOT KÖVETŐEN

- A munka befejeztével, engedje ki a J ② kart, majd helyezze a készüléket a bekapcsolás előtti állapotba, kikapcsolva

### A SZERSZÁMON TALÁLHATÓ SZIMBÓLUMOK MAGYARÁZATA

- ③ Használat előtt olvassa el a használati utasítást
- ④ Kettős szigetelés (földelővezeték nem szükséges)
- ⑤ A gépet ne dobja a háztartási szemétkébe

## KEZELÉS

- A marófejek behelyezése és kivétele ⑥  
**! kapcsolja ki a gépet és húzza ki a csatlakozódugót ! ügyeljen arra, hogy a marófej tengelye teljesen tiszta legyen**  
**! ügyeljen arra, hogy az adott marófejhez a megfelelő befogójelet (6 mm, 6,35 mm, 8 mm) használja**
  - a gépet fordítsa fel
  - az A jelű rögzítővel blokkolja a tengelyt (szükség esetén a B jelű anyát kicsit forgassa el) és az alábbi műveletek elvégzésénél tartsa lenyomva
- BEHELYEZÉSKOR:
  - a B jelű anyát oldja meg a C kulcs segítségével
  - kis helyet hagyva illesse be x a befogófejbe ⑦
  - az anyát a C kulccsal jól húzza meg
  - a tengelyrögzítést A oldja
- KIVÉTELKOR:
  - a B jelű anyát oldja meg a C kulcs segítségével
  - vegye ki a marófejet
  - a tengelyrögzítést A oldja
- ! marófej meglazításához szükséges lehet a marófej csúcsának megütögetése, a fűrőfej megvédése érdekében kalapács és egy darab fa segítségével**
- ! üres befogójelet meghúzása a csavar sérülését vonja maga után**
- A befogópatronok cseréje ⑦
  - ! **kapcsolja ki a gépet és húzza ki a csatlakozódugót ! ügyeljen arra, hogy a befogójelet tengelye teljesen tiszta legyen**
    - lazítsa meg 2-3 fordulattal a befogófejen lévő B jelű anyát
    - ütögesse meg a B jelű anyát a C villáskulccsal
    - távolítsa el a befogófejen lévő B jelű anyát és magát a



- befogófejet (blokkolja a tengelyt)
- a gépet fordítsa fel
  - helyezze fel a tengelyre az új befogófejet
  - a B jelű anyát szerelje fel (blokkolja a tengelyt)
- ! üres befogófejt meghúzása a csavar sérülését vonja maga után**
- Marási mélység beállítása ⑨
- ! kapcsolja ki a gépet és húzza ki a csatlakozódugót**
- állítsa a finomhangolót a középső pozícióba a gomb E ütközésig történő elforgatásával, majd forgasson vissza 4 teljes fordulatot és állítsa a skálát F 0-ra ⑧a
  - forgassa el az ismétlő mélységűtközőt G annyira, hogy a legmagasabb helyzetében a helyére kattanjon a mélységbeállító alatt D (nullázás) ⑧b
  - lazítsa meg a gombot H annyira, hogy a mélységbeállító D az ismétlő mélységűtközőre essen G ⑧b
  - a készülék a munkadarabra illeszkedik
  - lazítsa ki a rögzítő kart J ⑧c
  - a gépet nyomja lefelé, míg a marófejt a munkadarabon felfekszik ⑧d
  - lazítsa ki és húzza meg a rögzítőkart J ⑧e
  - mozgassa el a mélységellenzőt AC to 0 mm ⑧f
  - emelje fel a mélységbeállítót D a kívánt marási mélységnek megfelelő magasságba (mm), és húzza meg a gombot H ⑧f
  - lazítsa meg a rögzítő kart, J és helyezze a készüléket ismét fenti helyzetbe
  - használja a finomhangoló gombot E a marási mélység pontosabb beállításához (0...±8 mm); a skálán lévő jelzések F 0, 1 mm-nek, 1 teljes fordulat pedig 2,0 mm-nek felel meg
  - az ismétlő mélységűtközővel G a marási mélység fokozatosan növelhető (mély vágásokhoz ajánlott)
- ! marófej cseréje esetén állítsa be újra a marási mélységet**
- Sebességszabályozása ⑨
- Különböző anyagokon végzett optimális marási eredmény elérése érdekében
- válassza ki a marási művelet sebességét a K jelű szabályozótárcsával (a szerszám működése közben is állítható)
  - használja a ⑩os táblázatot a megfelelő marósebesség kiválasztásához
  - a munka megkezdése előtt, próbálja ki hulladék anyagon az optimális sebességet
- ! a szerszám kis sebességen történő hosszabb üzemeltése után, hagyja a motort lehűlni oly módon, hogy azt nagy sebességen, kb. 3 percig terhelés nélkül futtatja**
- LED-fény AD ⑪
  - A LED-fény AD a kapcsológomb aktiválásakor automatikusan kigyullad M
  - Por elszívás
  - az L porszívó illesztőegységet szerelje fel az ábrán látható módon ⑫a
  - csatlakoztassa a porszívó csövét a porszívó adapteréhez L ⑫b
  - A gép üzemeltetése ⑬
- ! a gépet mindig két kézzel fogja**
- ! munka közben mindvégig tartsa gépet a szürke színű markolati terület(ek)en**
- a készülék a munkadarabra illeszkedik
- kapcsolja be a gépet úgy, hogy mindig először a N gombot (= biztonsági kapcsoló, amelyiket nem lehet rögzíteni) benyomja, és utána a M kapcsolót meghúzza
- ! mielőtt a készüléket a munkadarabra vezetné, várja meg, amíg a motor a maximális fordulatszámot eléri**
- lazítsa ki a rögzítő kart, J és lassan nyomja le a marót, amíg a mélységbeállító D el nem éri az ismétlő mélységűtközőt G
  - húzza meg a rögzítő kart J
  - normál üzemszerű használatban végezze a marási munkafolyamatokat
  - használat közben a gép talpa feködjön fel a munkadarabon
  - általában a gépet "húzzuk", nem toljuk
  - a munka befejeztével, engedje ki a J kart, majd helyezze a készüléket a bekapcsoláskori állapotba
  - engedjük el a kapcsolót M
- A megfelelő vezetés a különböző marásoknál ⑭
  - ügyeljünk arra, hogy a marófejt az óramutató járásával egyező irányban forogjon
  - a gépet oly módon vezessük, hogy a marófejt a munkadarab irányába forogjon
- Az P adapterlap felszerelése (minta utáni munkáknál) ⑮
  - A vezetőlécezt G felszerelése ⑯
  - a Y vezetőrudakat tolja be a talp R meglévő furataiba
  - csúsztassa be a vezetőlécezt a kívánt mértékben, majd rögzítse a két Z jelű gombbal
- Vezetőléc használata körkörös marás esetén ⑰
- ! először fordítsa felfelé a vezetőlécezt**
- rögzítse a szeget AA egy anyával AB a képen látható módon
  - tolja be az Y jelű vezetőrudakat a talp R furataiba
  - enyhén nyomja a központosítócsapot AA a körív megjelölt közepébe
  - rögzítse a vezetőlécezt a két Z jelű gombbal
  - egyenletesen haladva vezesse a marófejet a munkadarabon
- Vezetőléc használata ívelt ütközővel W ⑱
  - fogassa be az ívelt ütközőt W (vezetőgörgővel ellátott) a befogófejbe az ábrán látható módon
  - haladjon a marófejjel a munkadarab szélén, miközben enyhén nyomást gyakorol oldalirányban a szerszámra

## HASZNÁLAT

- Munkadarab szélével párhuzamosan végzett munkákhoz használja a távtartót
- A munkadarab szélétől távol eső, azzal párhuzamosan végzendő munkák esetén ⑬
- egy kemény falécezt fogasson fel 2 szorítóval a munkadarabra
- a felsőmaró talpának egyenes oldalát a faléc mentén vezessük, ez szolgál most oldalvezetőként
- Vezetőgörgővel rendelkező marófejek használata esetén a görgőt a munkadarab lehetőleg sima külső szélén kell vezetni ⑱
- Nagyobb marási mélységek lemunkálásához célszerű a munkát több egymás utáni lépésben elvégezni, úgy hogy a lemunkálási mélység mindegyik lépésben kisebb legyen
- A további információkért lásd a [www.skil.com](http://www.skil.com) oldalt

## KARBANTARTÁS / SZERVIZ

- A szerszám nem professzionális használatra készült
- Mindig tartsa tisztán a gépet és a vezetékét (különös tekintettel a szellőzőnyílásokra S ②)
- A vezetőszíneket T ② időnként zsírozza
- Ha a gép a gondos gyártási és ellenőrzési eljárás ellenére egyszer mégis meghibásodna, akkor a javítással csak SKIL elektromos kéziszerszám-műhely ügyfélszolgálatát szabad megbízni
  - küldje az **összeszerelt** gépet a vásárlást bizonyító számlával együtt a kereskedő vagy a legközelebbi SKIL szervizállomás címére (a címlista és a gép szervizdiagramja a [www.skil.com](http://www.skil.com) címen található)
- Vegye figyelembe, hogy a garancia nem fedei le a túlterhelés és a gép helytelen használatá miatt okozott károkat (a SKIL garanciális feltételeit olvashatja a [www.skil.com](http://www.skil.com) oldalon, vagy kérdezze meg kereskedőjét)

## KÖRNYEZET

- **Az elektromos kéziszerszámokat, tartozékokat és csomagolást nem dobja a háztartási szemétkébe** (csak EU-országok számára)
  - a használt villamos és elektronikai készülékekről szóló 2012/19/EK irányelv és annak a nemzeti jogba való átültetése szerint az elhasznált elektromos kéziszerszámokat külön kell gyűjteni, és környezetbarát módon újra kell hasznosítani
  - erre emlékeztet a ⑤ jelzés, amennyiben felmerül az intézkedésre való igény

## ZAJ / REZGÉS

- Az EN 60745-es szabványnak megfelelően végzett mérés szerint a szerszám hangnyomása 91,0 dB(A), hangerőszintje 102,0 dB(A) (bizonytalanság K = 3 dB), a vibráció pedig 4,5 m/s<sup>2</sup> (háromtengelyű vektor összege; bizonytalanság K = 1,5 m/s<sup>2</sup>)
  - A rezgés-kibocsátási szint mérése az EN 60745 szabványban meghatározott szabványosított teszttel összhangban történt; ez egy eszköznek egy másik eszközzel történő összehasonlítására, illetve a rezgésnek való kitettség előzetes felmérésére használható fel az eszköznek az említett alkalmazásokra történő felhasználása során
    - az eszköznek eltérő alkalmazásokra, vagy eltérő, illetve rosszul karbantartott tartozékokkal történő felhasználása jelentősen **emelheti** a kitettség szintjét
    - az idő, amikor az eszköz ki van kapcsolva, vagy amikor ugyan működik, de ténylegesen nem végez munkát, jelentősen **csökkenti** a kitettség szintjét
- ! az eszköz és tartozékai karbantartásával, kezének melegen tartásával, és munkavégzésének megszervezésével védje meg magát a rezgések hatásaitól**

CZ

Horní fréзка

1860

## ÚVOD

- Náradí je určen k frézování drážek, hran, profilů a podélných otvorů do dřeva, umělé hmoty a lehkých stavebních materiálů, a také ke kopírovacímu frézování

- Tento nástroj není určen k profesionálnímu použití
- Tento návod s pokyny si pečlivě přečtěte a uschovejte ③

## TECHNICKÁ DATA ①

## SOUČÁSTI NÁSTROJE ②

- A** Aretač hřídele
- B** Maticе kleštiny
- C** Klíč
- D** Hloubkový doraz
- E** Točítko pro jemné seřízení
- F** Stupnice pro jemné seřízení
- G** Revolverový hloubkový doraz
- H** Seřizovací knořlík (hloubkový doraz)
- J** Aretační páka
- K** Kolečko pro výběr rychlosti
- L** Adaptér vysavače
- M** Vypínač
- N** Bezpečnostní spínač
- P** Destička adaptéru
- Q** Paralelní doraz
- R** Základová deska
- S** Větrací šterbiny
- T** Kluznice
- V** Ochranný kryt
- W** Nárazník pro zakřivení
- Y** Tyče pro paralelní doraz
- Z** Knořlík pro nastavení ochranného krytu
- AA** Kolík pro paralelní doraz
- AB** Maticе pro paralelní doraz
- AC** Indikátor hloubky
- AD** LED-kontrolka

## BEZPEČNOST

### OBEČNÉ BEZPEČNOSTNÍ POKYNY PRO ELEKTRONÁRAĐÍ

**VAROVÁNÍ** Přečtěte si veškerá bezpečnostní upozornění, pokyny, obrázky a technické údaje, které jsou s tímto elektrickým nástrojem dodávány. Nedodržení všech níže uvedených pokynů může vést k úrazu elektrickým proudem, požáru a/nebo vážnému zranění.

**Všechny pokyny a výstrahy uchvejte pro budoucí potřebu.**

Ve varovných upozorněních použitý pojem "elektronářadí" se vztahuje na elektronářadí provozované na el. síti (se síťovým kabelem) a na elektronářadí provozované na akumulátoru (bez síťového kabelu).

### 1) BEZPEČNOST PRACOVNÍHO MÍSTA

- Udržte Vaše pracovní místo čisté a uklizené.** Nepořádek nebo neosvětlené pracovní oblasti mohou vést k úrazům.
- Se strojem nepracujte v prostředích ohrožených explozí, kde se nacházejí hořlavé kapaliny, plyny nebo prach.** Elektronářadí vytváří jiskry, které mohou prach nebo páry zapálit.
- Děti a jiné osoby udržte při použití elektronářadí**

daleko od Vašeho pracovního místa. Při rozptýlení můžete ztratit kontrolu nad strojem.

## 2) ELEKTRICKÁ BEZPEČNOST

- a) **Připojovací zástrčka stroje musí lícovat se zásuvkou. Zástrčka nesmí být žádným způsobem upravena. Společně se stroji s ochranným uzemněním nepoužívejte žádné adaptérové zástrčky.** Neupravené zástrčky a vhodné zásuvky snižují riziko elektrického úderu.
- b) **Zabraňte kontaktu těla s uzemněnými povrchy, jako např. potrubí, topení, sporáky a chladničky.** Je-li Vaše tělo uzemněno, existuje zvýšené riziko elektrického úderu.
- c) **Chraňte stroj před deštěm a vlhkem.** Vniknutí vody do elektrického stroje zvyšuje nebezpečí elektrického úderu.
- d) **Dbějte na účel kabelu, nepoužívejte jej k nošení či zavěšení stroje nebo vytažení zástrčky ze zásuvky. Udržujte kabel daleko od tepla, oleje, ostrých hran nebo pohyblivých dílů stroje.** Poškozené nebo spletené kabely zvyšují riziko elektrického úderu.
- e) **Pokud pracujete s elektronáradím venku, použijte pouze takové prodlužovací kabely, které jsou schváleny i pro venkovní použití.** Použití prodlužovacího kabelu, jež je vhodný pro použití venku, snižuje riziko elektrického úderu.
- f) **Pokud se nelze vyhnout provozu elektronáradí ve vlhkém prostředí, použijte ochranný jistič.** Nasazení ochranného jističe snižuje riziko úderu elektrickým proudem.

## 3) BEZPEČNOST OSOB

- a) **Buďte pozorní, dávejte pozor na to, co děláte a přistupujte k práci s elektronáradím rozumně. Stroj nepoužívejte pokud jste unavení nebo pod vlivem drog, alkoholu nebo léků.** Moment nepozornosti při použití elektronáradí může vést k vážným poraněním.
- b) **Noste osobní ochranné pomůcky a vždy ochranné brýle.** Nošení osobních ochranných pomůcek jako maska proti prachu, bezpečnostní obuv s protiskluzovou podrážkou, ochranná přilba nebo sluchátka, podle druhu nasazení elektronáradí, snižují riziko poranění.
- c) **Zabraňte neúmyslnému uvedení do provozu. Přesvědčte se, že je elektronáradí vypnuté dříve než jej uchopíte, poneseťe či připojíte na zdroj proudu a/ nebo akumulátor.** Máte-li při nošení elektronáradí prst na spínači nebo pokud stroj připojíte ke zdroji proudu zapnutý, pak to může vést k úrazům.
- d) **Než stroj zapnete, odstraňte seřizovací nástroje nebo šroubovák.** Nástroj nebo klíč, který se nachází v otáčivém dílu stroje, může vést k poranění.
- e) **Nepřeceňujte se. Zajistěte si bezpečný postoj a vždy udržujte rovnováhu.** Tím můžete stroj v neočekávaných situacích lépe kontrolovat.
- f) **Noste vhodný oděv. Nenoste žádný volný oděv nebo šperky. Vlasy a oděv udržujte daleko od pohyblivých se dílů.** Volný oděv, šperky nebo dlouhé vlasy mohou být zachyceny pohyblivými se díly.
- g) **Lze-li namontovat odsávací či zachycující přípravky, přesvědčte se, že jsou připojeny a správně použity.** Použití odsávacího prachu může snížit ohrožení prachem.
- h) **Dbějte na to, abyste při častém používání náradí nebyli méně ostražití a nezapomínali na bezpečnostní zásady.** Nedbalé ovládání může způsobit těžké poranění za zlomek sekundy.

## 4) SVĚDOMITÉ ZACHÁZENÍ A POUŽÍVÁNÍ ELEKTRONÁRADÍ

- a) **Stroj nepřetěžujte. Pro svou práci použijte k tomu určený stroj.** S vhodným elektronáradím budete pracovat v dané oblasti výkonu lépe a bezpečněji.
  - b) **Nepoužívejte žádné elektronáradí, jehož spínač je vadný.** Elektronáradí, které nelze zapnout či vypnout je nebezpečné a musí se opravit.
  - c) **Než provedete seřízení stroje, výměnu dílů příslušenství nebo stroj odložíte, vytáhněte zástrčku ze zásuvky a/nebo odstraňte odpojitelný akumulátor.** Toto preventivní opatření zabrání neúmyslnému zapnutí stroje.
  - d) **Uchovávejte nepoužívané elektronáradí mimo dosah dětí. Nenechte stroj používat osobám, které se strojem nejsou seznámeny nebo nečetly tyto pokyny.** Elektronáradí je nebezpečné, je-li používáno nezkušenými osobami.
  - e) **Pečujte o elektronáradí a příslušenství svědomitě. Zkontrolujte, zda pohyblivé díly stroje bezvadně fungují a nevzpřichují se, zda díly nejsou zlomené nebo poškozené tak, že je možná funkce stroje. Poškozené díly nechte před nasazením stroje opravit.** Mnoho úrazů má příčinu ve špatně udržovaném elektronáradí.
  - f) **Řezné nástroje udržujte ostré a čisté.** Pečlivě ošetřované řezné nástroje s ostrými řeznými hranami se méně vzpřichují a dají se lehčeji vést.
  - g) **Používejte elektronáradí, příslušenství, nasazovací nástroje apod. podle těchto pokynů. Respektujte přitom pracovní podmínky a prováděnou činnost.** Použití elektronáradí pro jiné než určující použití může vést k nebezpečným situacím.
  - h) **Udržujte rukojeti a úchytné plochy suché, čisté a bez oleje a maziva.** Kluzké rukojeti a úchytné plochy neumožňují bezpečnou manipulaci a ovládání náradí v neočekávaných situacích.
- ## 5) SERVIS
- a) **Nechte Váš stroj opravit pouze kvalifikovaným odborným personálem a pouze s originálními náhradními díly.** Tím bude zajištěno, že bezpečnost stroje zůstane zachována.

## BEZPEČNOSTNÍ PŘEDPISY PRO HORNÍ FRÉZKA

- **Držte elektronáradí na izolovaných uchopovacích plochách, protože nůž se může dotknout vlastního kabelu (kontakt s vodičem "pod proudem" způsobí přenos proudu do neizolovaných částí nástroje a přivedí uživatele úraz)**
- **Pomocí svorek nebo jiným vhodným způsobem upevněte obráběný díl na stabilní podložku (pokud jej budete při práci držet v ruce nebo opřeny o tělo, bude nestabilní a můžete nad ním ztratit kontrolu)**

## OBECNĚ

- Tento nástroj nesmí používat osoby mladší 16 let
- Před seřizováním, měněním pilových listů a příslušenství, vždy vytáhněte zástrčku náradí z el. sítě

## PŘÍSLUŠENSTVÍ

- SKIL zajistí bezvadnou funkci náradí pouze tehdy, používáte-li původní značkové
- Používejte pouze příslušenství, jejichž dovolené otáčky jsou alespoň tak vysoké jako nejvyšší otáčky stroje

naprázdno

- Nepoužívejte poškozené ani deformované frézovací hlavy
- Používejte pouze ostré frézovací hlavy
- Chrňte příslušenství před nárazy, otřesy a mastnotou
- S tímto náradím používejte pouze frézovací hlavy z oceli HSS (vysokovýkonná rychlořezná ocel) nebo HM z tvrdých kovů

#### PŘED POUŽITÍM

- Vrtáčku nepoužívejte je-li navlhá a nepracujte v blízkosti snadno zápalných nebo výbušných materiálů; před zahájením práce je odstraňte
- Vždy zkontrolujte, zda je napájecí napětí stejné jako napětí uvedené na typovém štítku nástroje
- **Nepracovávají žádný materiál obsahující azbest** (azbest je karcinogenní)
- Neupínáte nástroj do svěráku
- Používejte zcela rozvinuté a bezpečně prodlužovací šňůry o kapacitě 16 ampér
- Hladina hluku může při práci přesáhnout 85 dB(A); vhodným prostředkem si chrňte uši
- Prach z látek, jako jsou barvy obsahující olovo, některé druhy dřeva, minerály a kovy, může být škodlivý (kontakt s prachem nebo jeho vdechnutí může způsobit alergickou reakci a/nebo vyvolat respirační choroby u obsluhy nebo přihlížejících); **nošte protiprachovou masku a pracujte se zařízením na odsávání prachu, pokud je možné jej připojit**
- Některé druhy prachu jsou klasifikovány jako karcinogenní (například dubový a bukový prach) zejména ve spojení s přísadami pro úpravu dřeva; **nošte protiprachovou masku a pracujte se zařízením na odsávání prachu, pokud je možné jej připojit**
- Dodržujte stanovená nařízení pro práci v prašném prostředí
- Přesvědčete se, zda je nástroj při zapojování do zásuvky vypnutý

#### BĚHEM POUŽITÍ

- Šňůru udržujte vždy mimo dosah pohyblivých částí nástroje; šňůru nasměrujte dozadu, pryč od nástroje
- Nástroj se nesmí používat, je-li její základová deska R ② (= ochranný kryt) poškozená; nechte si ji kvalifikovaným pracovníkem vyměnit
- Nikdy nástroj nepoužívejte, je-li jeho přírodní šňůra poškozená, šňůra musí být vyměněna za speciálně navrženou šňůru, která je k dispozici přes servisní středisko.
- Ruce a prsty nesmějí při zapnutí náradí přijít do blízkosti frézovací hlavy
- Při práci nefrézujte hlouběji, než je výška břitu nástroje
- V případě atypického chování nebo cizích hluků ihned vypněte náradí a vytáhněte zástrčku
- Pokud dojde k zablokování frézovací hlavy, které se projeví trhavinými pohyby nástroje, ihned nástroj vypněte
- V případě přerušení proudu nebo při náhodném vytažení ze zásuvky ihned dejte, okamžitě nástroj vypněte, aby se přišlo k náhodou samovolně opět nepustil
- Nevyvíjejte na nástroj takový tlak, při kterém by došlo k jeho zastavení

#### PO POUŽITÍ

- Po skončení práce, uvolněte páčku J ②, veďte náradí zpět do výchozí polohy a vypněte jej

#### VYSVĚTLENÍ SYMBOLŮ NA NÁRADÍ

- ③ Před použitím si přečtěte návod k použití
- ④ Dvojitá izolace (není nutný zemnicí drát)
- ⑤ Náradí nevyhazujte do komunálního odpadu

## OBSLUHA

- Nastavení/sejmутí frézovací hlavy ⑥
    - ! vypněte nástroj a odpojte ze zásuvky
    - ! dbejte na to, aby byl břit frézy vždy čistý
    - ! dbejte na to, aby byly vždy použity do kleštiny frézy (6 mm, 6,35 mm, 8 mm) s odpovídajícím průměrem díku
      - obraťte náradí vzhůru nohama
      - pomocí aretace A zablokujte hřídel (upínací matici B případně trochu pootočte) a aretaci držte stlačenou
  - PRO NASAZENÍ:
    - upínacím klíčem C uvolněte upínací matici B
    - Vložte hrot x do kleštiny ⑦ tak, aby měl trochu vůli
    - upínací matici pevně utáhněte upínacím klíčem C
    - uvolněte aretace A hřídele
  - PRO SEJMUTÍ:
    - upínacím klíčem C uvolněte upínací matici B
    - frézovací hlavu vyjměte
    - uvolněte aretace A hřídele
  - ! pokud potřebujete frézu uvolnit, bude možné nutně poklepat na horní část frézy pomocí kladiva a kouskem dřeva hrot chránit
  - ! upínací matici nikdy neutažujte, není-li frézovací hlava v kleštině; kleština by se mohla poškodit
- Výměna kleštin ⑦
    - ! vypněte nástroj a odpojte ze zásuvky
    - ! dbejte na to, aby hřídel kleštiny byl vždy naprosto čistý
      - uvolněte upínací matici B o 2 až 3 otočky
      - klepněte na upínací matici B upínacím klíčem C
      - vyšroubujte upínací matici B a kleštinu (zablokujte hřídel)
      - obraťte náradí vzhůru nohama
      - na hřídel kleštiny vložte novou kleštinu
      - nasadte upínací matici B (zablokujte hřídel)
    - ! upínací matici nikdy neutažujte, není-li frézovací hlava v kleštině; kleština by se mohla poškodit
  - Nastavení hloubky frézování ⑧
    - ! vypněte nástroj a odpojte ze zásuvky
    - nastavte jemné seřízení do středové polohy otočením točítka E do konce, pak otočte zpět 4 plné otáčky a nastavte stupnici F na 0 ⑧a
    - otočte hlavicí G tak, aby její nejvyšší polohy zapadla přímo pod hloubkoměr D (kvůli nulování) ⑧b
    - povolte šroub H tak, aby hloubkoměr D dopadl na zarážecí hlavicí G ⑧b
    - umístěte náradí na obrobek
    - uvolněte zajišťovací páčku J ⑧c
    - náradí stiskněte dolů, až e fréza dotkne obrobku ⑧d
    - uvolněte a utáhněte zajišťovací páčku J ⑧e
    - posuňte indikátor hloubky AC na 0 mm ⑧f
    - zdvihněte hloubkoměr D o tolik mm, kolik je požadovaná hloubka frézování, a utáhněte šroub H ⑧f
    - uvolněte zajišťovací páčku J a zdvihnete nástroj zpět vzhůru
    - pomocí točítka pro jemné nastavení E proveďte přesnější nastavení hloubky frézování (0..±8 mm); značky na stupnici F odpovídají 0,1 mm, 1 celá otáčka odpovídá 2,0 mm
    - se zarážecí hlavicí G lze hloubku frézování zvětšit pomocí odpovídajících kroků (doporučeno pro hluboké řезy)

### ! po výměně frézovacích bitů nastavte znovu hloubku frézování

- Kontrola rychlosti ⑨  
K optimálnímu frézování různých materiálů - ovladačem K (i při běžícím nástroji) si zvolte vhodnou frézovací rychlost - vhodnou rychlost frézování najdete v tabulce ⑩ - před zahájením práce si optimální rychlost vyzkoušejte na kousku odpadu

### ! po delším provozu při nízké rychlosti nechte nástroj vychladnout tím, že jej necháte běžet při vysoké rychlosti přibližně 3 minuty bez zatížení

- LED-kontrolka AD ⑪
  - LED-kontrolka AD se automaticky rozsvítí při aktivaci spoušti M
- Odsávání prachu
  - namontovat otvor odsávání L, jak to ukazuje obrázek ⑫a
  - připojte hadici vysavače k adaptéru vysavače L ⑫b
- Použití nástroje ⑬

### ! držte nářadí vždy pevně oběma rukama ! při práci vždy držte nástroj v šedé zabarvené oblasti rukojeti

- umístěte nářadí na obrobek
- spusťte nářadí nejdříve stisknutím tlačítka N (= bezpečnostní spínač, který nemůže být zaaretován) a poté stisknutím spouště M

### ! dříve než přiložíte frézovací hlavu na obrobek, musí přístroj dosáhnout nejvyšších otáček

- uvolněte zajišťovací páčku J a pomalu tlačte nástroj směrem dolů, dokud hloubkoměr D nedosáhne na zářezací hlavici G
- utáhněte zajišťovací páčku J
- proveďte daný frézovací proces plynule
- při vedení nářadí přidržete základní desku naplocho na obráběném předmětu
- nářadí je třeba při práci "táhnout", nikoli tlačit
- po skončení práce, uvolněte páčku J a ved'te nářadí zpět do výchozí pozice
- vypínač uvolnit M
- Správné vedení při různých řezech ⑭
  - dbejte na to, aby směr otáčení frézovací hlavy byl vždy shodný s pohybem hodinových ručiček
  - ved'te nářadí tak, aby frézovací hlava směřovala do obrobku a nikoli od něho
- Montáž redukční desky P (při práci podle jedné předlohy) ⑮
- Montáž ochranný rám Q ⑯
  - tyčky Y zasunout do upevňovacích otvorů na základové desce R
  - rozevřete ochranný rám na potřebnou šířku a zajistěte jej 2 knoflíky Z
- Jak použít ochranný rám jako kruhové vodítko ⑰
  - ! **nejprve ochranný rám otočte**
  - podle obrázku utáhněte kolík AA s maticí AB
  - do podkladní desky R vložte tyčky Y
  - zapichnete kolík AA do vyznačeného středu kruhového oblouku
  - upevněte ochranný rám 2 knoflíky Z
  - posunujte nástroj stejnoměrně kolem obrobku
- Jak použít ochranný rám s kruhovým nárazníkem W ⑱
  - podle obrázku připevněte kruhový nárazník W (s upevněným vodícím válečkem)

- posunujte nástroj po okraji obrobku mírným bočním tlakem

## NÁVOD K POUŽITÍ

- Pro řezy rovnoběžné s okrajem obrobku použijte boční doraz
- Při rovnoběžných řezech na obrobku daleko od okraje ⑲
  - na obrobek upevněte dvěma upínacími svorkami masivní kus dřeva
  - horní frézu ved'te plochou stranou základní desky podél okraje kusu dřeva, který teď slouží jako boční doraz
- Při práci s vedoucí cívkou je nutné vést cívkou na vnější straně obrobku, která musí být co nejladší ⑲
- Pro hlubší frézování je doporučeno provést několik opakujících s řezů
- Další informace najdete na [www.skil.com](http://www.skil.com)

## ÚDRŽBA / SERVIS

- Tento nástroj není určen k profesionálnímu použití
- Nástroj a přívodní šňůru udržujte čisté (zejména větrací štěrby S ②)
- Kluznice T ② pravidelně promazávat
- Pokud dojde i přes pečlivou výrobu a náročnou kontroly k poruše nástroje, světe provedení opravy autorizovanému servisnímu středisku pro elektronářadí firmy SKIL
  - zašlete nástroj **nerozebráný** spolu s potvrzením o nákupu své prodejny nebo nejbližšímu servisu značky SKIL (adresy a servisní schema nástroje najdete na [www.skil.com](http://www.skil.com))
- Uvědomte si, že na poškození způsobené přetížením nebo nesprávným zacházením se nevztahuje záruka (záruční podmínky společnosti SKIL najdete na adrese [www.skil.com](http://www.skil.com) nebo se obraťte na prodejce)

## ŽIVOTNÍ PROSTŘEDÍ

- **Elektrické nářadí, doplňky a balení nevyhazujte do komunálního odpadu** (jen pro státy EU)
  - podle evropské směrnice 2012/19/EG o nakládání s použitými elektrickými a elektronickými zařízeními a odpovídajících ustanovení právních předpisů jednotlivých zemí se použitá elektrická nářadí, musí sbírat odděleně od ostatního odpadu a podrobit ekologicky šetrnému recyklování
  - symbol ⑤ na to upozorňuje

## HLUČNOSTI / VIBRACÍ

- Při měření v souladu s normou EN 60745 je hladina akustického tlaku tohoto nástroje 91,0 dB(A), hladina hlučnosti 102,0 dB(A) (nepřesnost K = 3 dB) a vibrace 4,5 m/s<sup>2</sup> (celkové hodnoty vibrací; nepřesnost K = 1,5 m/s<sup>2</sup>)
- Úroveň vibrací byla měřena v souladu se standardizovaným testem podle EN 60745; je možné ji použít ke srovnání jednoho přístroje s druhým a jako předběžné posouzení vystavování se vibracím při používání přístroje k uvedeným aplikacím
  - používání přístroje k jiným aplikacím nebo s jiným či špatně udržovaným příslušenstvím může zásadně **zvýšit** úroveň vystavení se vibracím
  - doba, kdy je přístroj vypnutý nebo kdy běží, ale ve skutečnosti není využíván, může zásadně **snížit** úroveň vystavení se vibracím

**! chraňte se před následky vibrací tak, že budete dbát na údržbu přístroje a příslušenství, budete si udržovat teplé ruce a uspořádáte si své pracovní postupy**

TR

Freze

1860

## GİRİŞ

- Bu alet, tahta, plastik ve hafif yapı malzemelerindeki oluk açma, kenar çekme, profil çekme, boyuna delik frezeleme ve şablon kopyalama için geliştirilmiştir
- Bu alet profesyonel kullanıma yönelik değildir
- Bu kullanma kılavuzunu okuyun ve saklayın ③

## TEKNİK VERİLER ①

### ALET BİLEŞENLERİ ②

- A Mil kilitleme
- B Halka somunu
- C Anahtar
- D Derinlik ayarı
- E İnce ayar düğmesi
- F İnce ayar ölçeği
- G Revolver derinlik mesnedini
- H Ayarlama düğmesi (derinlik ayarı)
- J Kilit kol
- K Hız seçimi tekerleği
- L Süpürge bağlantısı
- M Açma/kapama tetiği
- N Emniyet şalteri
- P Adaptör plakası
- Q Yan dayamak
- R Taban plakası
- S Havalandırma yuvaları
- T Hareketli çubuklar
- V Koruyucu kapak
- W Kavis tamponu
- Y Yan destek çubukları
- Z Hassas kesim aparatını ayarlama düğmesi
- AA Yan destek pimi
- AB Paralel kılavuz somun
- AC Derinlik korumalıği
- AD LED-ışığı

## GÜVENLİK

### GENEL ELEKTRİK EL ALETİ GÜVENLİK UYARILARI

**⚠ UYARI** Bu elektrikli alet ile birlikte verilen tüm uyarıları, talimatları, resimleri ve özellikleri okuyun. Aşağıda listelenen talimatların tamamına uyulmaması durumunda elektrik çarpması, yangın ve/veya ciddi yaralanmalara meydana gelebilir.

**Tüm uyarı ve talimatları ilerde kullanmak üzere saklayın.**

Uyarı ve talimat hükümlerinde kullanılan "elektrikli el alet" kavramı, akım şebekesine bağlı (şebeke bağlantı kablosu ile) aletlerle akü ile çalışan aletleri (akım şebekesine bağlantısı

olmayan aletler) kapsamaktadır.

### 1) ÇALIŞMA YERİ GÜVENLİĞİ

- a) **Çalıştığınız yeri temiz ve düzenli tutun.** Düzensizlik veya yetersiz aydınlatma kazalara neden olabilir.
- b) **Yanıcı sıvıların, gazların veya tozların bulunduğunu patlama tehlikesi olan yer ve mekânlarda aletle çalışmayın.** Elektrikli el aletleri, toz veya buharların tutuşmasına veya yanmasına neden olan kıvılcıklar çıkarırlar.
- c) **Elektrikli el aletiyle çalışırken çocukları ve başkalarını çalışma alanınızın uzağında tutun.** Yakınızdaki bulunan kişiler dikkatinizi dağıtabilir ve bu da alet üzerindeki kontrolünüzü kaybetmenize neden olabilir.

### 2) ELEKTRİKSEL GÜVENLİK

- a) **Aletin bağlantı fişi prize uymalıdır. Fişi hiçbir şekilde değiştirmeyin. Koruyucu topraklamalı aletlerle adaptörlü fiş kullanmayın.** Değiştirilmemiş, orijinal fiş ve uygun prizler elektrik çarpma tehlikesini azaltır.
- b) **Borular, kalorifer tesisatı, ısıtıcılar ve buzdolapları gibi topraklanmış yüzeylerle bedensel temasa geçmekten kaçının.** Eğer bedeniniz topraklanacak olursa yüksek bir elektrik çarpma tehlikesi ortaya çıkar.
- c) **Aleti yağmur ve nemden koruyun.** Elektrikli el aletinin içine suyun sızması elektrik çarpma tehlikesini yükseltir.
- d) **Kabloyu kendi amacı dışında kullanmayın; örneğin aleti kablodan tutarak taşımayın, aleti kablo ile asmayın veya kablodan çekerek fişi prizden çıkarmayın.** Kabloyu aşırı sıcaktan, yağlardan, keskin kenarlı cisimlerden veya aletin hareketli parçalarından uzak tutun. Hasarlı veya dolaşmış kablo elektrik çarpma tehlikesini yükseltir.
- e) **Elektrikli el aletiyle açık havada çalışırken mutlaka açık havada kullanılmaya uygun uzatma kablosu kullanın.** Açık havada kullanılmaya uygun uzatma kablosunun kullanılması elektrik çarpma tehlikesini azaltır.
- f) **Elektrikli el aletinin nemli ortamlarda çalıştırılması şartsa, mutlaka kaçak akım cihazı (RCD) kullanın.** RCD kullanımı elektrik çarpma tehlikesini azaltır.

### 3) KİŞİLERİN GÜVENLİĞİ

- a) **Dikkatli olun, ne yaptığınıza dikkat edin ve elektrikli el aletiyle çalışırken makul hareket edin. Yorgunsanız, ilaç kullanıyorsanız veya uyuşturucu madde ya da alkol etkisi altındaysanız aleti kullanmayın.** Aleti kullanırken bir anlık dikkatsizliğiniz ciddi yaralanmalara yol açabilir.
- b) **Daima kişisel korunma donanımları ve bir koruyucu gözlük kullanın.** Elektrikli el aletinin türü ve kullanımına uygun olarak kullanacağınız toz maskesi, kaymayan sağlam iş ayakkabıları, koruyucu kask veya koruyucu kulaklık gibi kişisel korunma donanımlarını kullanmanızı yaralanma tehlikesini büyük ölçüde azaltır.
- c) **Aleti yanlışlıkla çalıştırmaktan kaçının. Akım ikmal şebekesine ve/veya aküye bağlamadan, elinize alıp taşımadan önce elektrikli el aletinin kapalı durumda olduğundan emin olun.** Elektrikli el aletinin parmağınız şalter üzerinde dururken taşırırsanız ve alet açıkken fişi prize sokarsanız kazalara neden olabilirsiniz.
- d) **Aleti çalıştırmadan önce ayar aletlerini veya tornavidaları aletten uzaklaştırın.** Dönen alet parçasına temas halinde bulunan bir uç veya anahtar yaralanmalara neden olabilir.

- e) **Kendinize çok fazla güvenmeyin. Duruşunuzun güvenli olmasına dikkat edin ve daima dengenizi koruyun.** Bu sayede aleti beklenmedik durumlarda daha iyi kontrol edersiniz.
- f) **Uygun iş elbiseleri giyin. Geniş giysiler giymeyin ve takı takmayın. Saçlarınızı ve giysilerinizi aletin hareketli parçalarından uzak tutun.** Bol giysiler, takılar veya uzun saçlar aletin hareketli parçaları tarafından tutulabilir.
- g) **Aletinize toz emme donanımı ve toz tutma donanımı takılabiliyorsa, bunların bağlı olup olmadığını ve doğru işlev görüp görmediklerini kontrol edin.** Toz emme donanımının kullanımı tozdan kaynaklanabilecek tehlikeleri azaltır.
- h) **Aletleri sık kullanmanız sebebiyle kazandığınız alışkanlıklar, güvenlik prensiplerine uymanızı önlememelidir.** Dikkatsiz bir hareket, bir anda ciddi yaralanmalara yol açabilir.
- 4) ELEKTRİKLİ EL ALETLERİYLE DİKKATLİ ÇALIŞMAK VE ALETİ DOĞRU KULLANMAK**
- a) **Aleti aşırı ölçüde zorlamayın. İşinize uygun elektrikli el aletini kullanın.** Uygun elektrikli el aleti ile belirtilen performans alanında daha iyi ve daha güvenli çalışırsınız.
- b) **Açma/kapama şalteri arızalı olan elektrikli el aletini kullanmayın.** Açılıp kapanmayan bir elektrikli el aleti tehlikelidir ve onarılması gerekir.
- c) **Alette bir ayarlama işlemine başlamadan, herhangi bir aksesuarı değiştirirken veya aleti elinizden bırakırken fişi prizden çekin veya aküyü çıkarın.** Bu önlem, elektrikli el aletinin yanlışlıkla çalışmasını önler.
- d) **Kullanım dışında iken elektrikli el aletinizi çocukların ulaşamayacağı bir yerde saklayın. Aleti kullanmayı bilmeyen veya bu güvenlik talimatını okumayan kişilerin aleti kullanmasına izin vermeyin.** Deneyimsiz kişiler tarafından kullanıldıkları takdirde elektrikli el aletleri tehlikeli olabilirler.
- e) **Elektrikli el aletinin ve aksesuarların bakımını düzenli yapın. Aletin hareketli parçalarının kusursuz işlev görüp görmediklerini ve sıkışmadıklarını, parçaların kırık veya hasarlı olup olmadığını kontrol edin, aksi takdirde alet işlevini tam olarak yerine getiremez. Aleti kullanmadan önce hasarlı parçaları onartın.** Birçok iş kazası aletlerin kötü ve yetersiz bakımından kaynaklanır.
- f) **Kesici uçları keskin ve temiz tutun.** İyi bakım görmüş kesici uçlar daha ender sıkışır ve daha iyi yönlendirilirler.
- g) **Elektrikli el aletlerini, aksesuarı, uçları ve benzerlerini bu güvenlik talimatına uygun olarak kullanın. Aleti kullanırken çalışma koşullarını ve yaptığınız işi daima dikkate alın.** Elektrikli el aletlerini kendileri için öngörülen işlerin dışında kullanmak tehlikeli durumların ortaya çıkmasına neden olabilir.
- h) **Tutamak ve kavrama yüzeylerini kuru, yağsız ve temiz tutun.** Kaygan tutamak ve kavrama yüzeyleri, aletin beklenmeyen durumlarda güvenli şekilde tutulmasını ve kontrol edilmesini engeller.
- 5) SERVİS**
- a) **Aleti sadece uzman bir elemana ve orijinal yedek parçalar kullanılarak onartın.** Böylelikle aletin güvenliğini korumuş olursunuz.

## GÜVENLİK TALİMATI FREZE İÇİN

- **Kesici kendi kablosuna temas edebileceği için elektrikli aleti izolasyonlu tutamaklarından tutun** (akım ileten elektrik kablosunun kesilmesi aletin metal parçalarının da elektrik akımına maruz kalmasına ve kullanılan kişiye elektrik çarpmasına neden olabilir)
- **İş parçasını iyice sabitlemek ve desteklemek için mengine kullanın veya diğer pratik yollara başvurun** (iş parçasını elde tutmak veya vücuda dayamak sabit olmamasına ve kontrol kaybına neden olabilir)

### GENEL

- Bu alet 16 yaşın altındaki kişiler tarafından kullanılmamalıdır
- İsteddiğiniz ayar değişikliklerini ve aksesuar değişikliklerini yapmadan önce mutlaka şebeke fişini prizden çekin

### AKSESUARLAR

- SKIL sadece orijinal aksesuarlar kullanıldığında aletin düzgün çalışmasını garanti eder
- Bu aletle kullanacağınız aksesuar edilen devir sayısı en azından aletin boşta en yüksek devir sayısı kadar olmalıdır
- Hasarlı veya şekli bozulmuş freze başı kullanmayın
- Sadece keskin freze başı kullanın
- Aksesuarları çarpmalardan darbelerden ve yağlı ortamlardan koruyun
- Bu aletle yüksek kaliteli çelikten (HSS) yapılmış veya sert metal plakiteli freze başı kullanın

### KULLANMADAN ÖNCE

- İş parçasının vida, çivi ve benzeri malzeme tarafından hasar görmemesi için dikkatli olun; çalışmaya başlamadan önce bunları çıkartın
  - Güç geriliminin, aletin özellik plakasında belirtilen voltaj değeriyle aynı olduğunu sık sık kontrol edin
  - **Bu aletle asbest içeren malzemeleri işlemeyin** (asbest kanserojen bir madde kabul edilir)
  - Aleti mengineyle sıkıştırmayın
  - Tamamen kusursuz ve güvenli 16 Amp uzatma kabloları kullanın
  - Cihaz çalışırken gürültü seviyesi 85 dB(A) desibele kadar çıkabilir; kulak koruyucu kullanın
  - Kurşun içeren boya, bazı ahşap türleri, mineral ve metal gibi malzemelerden çıkan toz zararlı olabilir (tozla temasta bulunulması veya solunması operatörde veya yakında bulunan kişilerde alerjik reaksiyonlara ve/veya solunum yolu hastalıklarına neden olabilir); **toz maskesi takın ve toz ekstraksiyon cihazıyla çalışın (bağlanabiliyorsa)**
  - Bazı toz tipleri (örneğin meşe ve kayın ağacı tozu), bilhassa ahşap yenileme katkı maddeleriyle birlikte, kansinojenik olarak sınıflandırılır; **toz maskesi takın ve toz ekstraksiyon cihazı ile çalışın (bağlanabiliyorsa)**
  - Çalışmak istediğiniz malzemelerin, toz ile ilgili ulusal taleplerini takip edin
  - Fiş takarken aletin kapalı olduğundan emin olun
- ### KULLANIM SIRASINDA
- Kabloyu her zaman aletin hareketli parçalarından uzak tutun; kabloyu arka tarafta araçtan uzakta bulundurun
  - Cihazı taban levhasının R ② (= koruyucu muhafaza) hasarlıyken kullanmayın, yetkili kişi tarafından değiştirilmesini sağlayın
  - Aleti asla kablo hasarlıyken kullanmayın; kablonun yetkili servis tarafından özel olarak hazırlanmış bir kablo ile değiştirilmesi gerekir.
  - Alet açılırken eller ve parmaklar freze başının yakınında olmamalıdır

- Kesme işlemi sırasında hiçbir zaman freze başının maksimum freze derinliğini aşmayın
- Elektriksel veya mekaniksel hatalı çalışma durumunda aleti hemen kapatın ve fişi çekin
- Freze başı durup araçta titreme olduğunda aracı hemen kapatın
- Akım kesilmesi sırasında veya fişin yanlışlıkla yerinden çıkması durumunda, kontrolsüz tekrar çalışmasını önlemek üzere aleti hemen kapatın
- Cihazın hareketsiz kalmasına neden olacak kadar basınç uygulamayın

#### KULLANIMDAN SONRA

- İşiniz bittikten sonra, kolu J ② gevşetin, gevşetmek suretiyle aleti üst başlangıç konumuna getirin ve kapatın

#### ALET ÜZERİNDEKİ SİMGELERİN AÇIKLAMASI

- ③ Kullanmadan önce kılavuzu okuyun
- ④ Çift yalıtım (topraklama kablosu gerekli değildir)
- ⑤ Aleti evdeki çöp kutusuna atmayın

#### KULLANIM

- Freze başlarının takılması/sökülmesi ⑥  
! aleti kapatın ve fişi prizden çekin  
! freze başı milinin tam olarak temiz olmasına dikkat edin  
! bütün freze başlarının ve gericilerin birbirine (6 mm, 6,35 mm, 8 mm) uyumlu olmasına dikkat edin  
- aleti baş aşağı çevirin  
- mil kilitleme düğmesine A basarak mili kilitleyin (eğer gerekiyorsa germe somununu B biraz çevirin) ve düğmeyi basılı tutarak:

##### TAKMAKIÇİN:

- germe anahtarını C ile germe somununu B gevşetin
- Ucu biraz boşlukla x tespit parçası ⑦ içine takın
- germe somununu germe anahtarını C ile sıkın
- mil kilitlemeyi A gevşetin

##### ÇIKARMAK İÇİN:

- germe anahtarını C ile germe somununu B gevşetin
- freze başı çıkarın
- mil kilitlemeyi A gevşetin

**! freze başlarını gevşetmek için çekiç ve başı korumak için bir tahta parçası kullanarak freze başının tepesine vurmak gerekebilir**

**! uç gericide freze başı yokken asla germe somununu sıkmayın; uç gerici hasar görebilir**

- Halkaları değiştirme ⑦  
! aleti kapatın ve fişi prizden çekin  
! uç gerici milinin tam anlamı ile temiz olmasına dikkat edin  
- germe somununu B 2 veya 3 tur gevşetin  
- germe somununun B üzerine germe anahtarını C ile vurun  
- germe somununu B ve gericiyi çıkarın (mili kilitleyin)  
- aleti baş aşağı çevirin  
- gerici miline yeni gerici takın  
- germe somununu B takın (mili kilitleyin)  
! uç gericide freze başı yokken asla germe somununu sıkmayın; uç gerici hasar görebilir
- Freze derinliğinin ayarlanması ⑧  
! aleti kapatın ve fişi prizden çekin  
- düğmeyi E sona kadar döndürerek ince ayarı merkez konumuna ayarlayın, ardından 4 tam tur geri döndürün ve ölçeği F 0 ③a olarak ayarlayın  
- revolver derinlik mesnedini G, en alt pozisyonu derinlik

ölçerini D (sıfırlama için) ⑧b sağ altındaki yerine oturacak şekilde çevirin

- düğmeyi H, derinlik ayar D revolver derinlik mesnedinin G üzerine inecek şekilde çevirin ⑧b
- aleti iş parçası üzerine konumlandırın
- kilit kolunu J gevşetin ⑧c
- freze başı iş parçası üstüne yaslanıncaya kadar aleti aşağı bastırın ⑧d
- kilit kolunu J açın ve sıkın ⑧e
- derinlik korumalığını AC 0 mm ⑧ f konumuna götürün
- derinlik ayarı D istenen freze derinliğine yükseltin ve düğmeyi H sıkın ⑧f
- kilitleme kolunu J gevşetin ve aleti yeniden geri sürün
- freze derinliğini daha hassas olarak (0...±8 mm) ayarlamak için ince ayar düğmesini E kullanın; ölçek F üzerindeki işaretler 0,1 mm'ye denk gelmektedir, 1 tam tur 2,0 mm'ye denk gelmektedir
- revolver derinlik mesnedi G ile freze derinliği sırasıyla adım adım artırılabilir (derin kesimler için önerilir)

**! freze başlarını değiştirdikten sonra freze derinliğini yeniden ayarlayın**

- Hız kontrolü ⑨  
Değişik malzemelerle frezeden en iyi sonuç almak için - freze süratini tekeri K döndürerek seçin (alet çalışırken de)  
- doğru freze süratini tayin etmek için tablo ⑩'dan yararlanın  
- çalışmaya başlamadan önce bir deney malzemesi üzerinde optimal hızı kontrol edin  
! düşük süratte uzun süre çalıştıktan sonra aleti soğutmak için hiç yük olmadan yüksek süratte yaklaşık 3 dakika çalıştırın
- LED-ışığı AD ⑪  
- tetik M etkinleştirildiğinde LED ışık AD otomatik olarak yanar
- Toz emme  
- süpürge bağlantısı L gösterilen şekilde takın ⑫a  
- elektrikli süpürge hortumunu elektrikli süpürge adaptörüne bağlayın L ⑫b
- Aletin çalıştırılması ⑬

**! aleti daima iki elinizle sıkıca tutun**  
**! çalışma esnasında, aleti daima gri renkli bölge(ler) den tutun**

- aleti iş parçası üzerine konumlandırın
- önce başparmağınızla düğmeye N basıp (= sabitlenemeyen emniyet şalteri) şaltere M basmak suretiyle aleti çalıştırın

**! freze başı iş parçası materyale uygulamaya başlamadan önce alet en yüksek devir sayısına ulaşmalıdır**

- kilitleme kolunu J gevşetin ve derinlik ayar D revolver derinlik mesnedine G ulaşana kadar aleti yavaşça aşağı itin
- kilitleme kolunu J sıkın
- freze işlemini düzenli ve eşit itme/besleme hareketleri ile gerçekleştirin
- aleti kullanırken taban levhasını iş parçası üzerine düz olarak yaslayın
- çalışma sırasında genel olarak alet itilmemeli, "çekilmelidir"
- işiniz bittikten sonra, kolu J gevşetin suretiyle aleti üst başlangıç konumuna getirin



- şalterin boşaltılması M
- Farklı kesme işlemleri için doğru yönlendirme gerekir ⑭
- freze başının dönme yönünün saat yönünde hareket ile aynı olmasına dikkat edin
- dik frezeyi, freze başı iş parçası içinde dönecek biçimde ve iş parçasından çıkmayacak biçimde yönlendirin
- Adaptör plakasının P takılması (belirli bir şablona göre çalışmak üzere) ⑮
- Yan dayamağın Q monte edilmesi ⑯
- kılavuz çubukları Y taban levhasının R mevcut deliklerinden geçirin
- yan dayamağı istediğiniz genişliğe kaydırın ve 2 düğme Z ile sabitleyin
- Yan dayamağı yuvarlak bir kılavuz şeklinde kullanmak ⑰
- ! **önce yan dayamağı ters çevirin**
- pimi AA somun AB ile gösterildiği gibi sıkın
- çubukları Y taban levhasına R sokun
- dairesel arkin işaretli merkezine pimi AA deldirin
- yan dayamağı 2 düğme Z ile sabitleyin
- aleti işlenen parçanın üstünde sabit güçle iterek yönlendirin
- Yan dayamağı kavis tamponu W ile birlikte kullanmak ⑱
- gösterildiği şekilde kavis tamponunu W monte edin (kılavuz makara takılı olarak)
- aleti işlenen parçanın kenarında hafif yan baskıyla yönlendirin

## UYGULAMA ÖNERİLERİ

- İş parçasının kenarına paralel kesme yapmak için yan dayamağı kullanın
- İş parçasının kenarından uzak paralel kesme işleri için ⑳
- iş parçasının üzerine masif bir tahta parçasını 2 kısığa tespit edin
- dik frezenin taban levhasının yassı kenarını tahta parçasının kenarı boyunca yönlendirin; bu işlem sırasında tahta parçası yan dayamak olarak işlev görür
- Kılavuz zıvana veya bilyeli rulmanla bitlerde, makara, mümkün olduğu kadar pürüzsüz olması gereken kılavuz zıvanası veya rulmanı iş parçasının dış kenarında yönlendirilmelidir ㉑
- Büyük freze derinliklerinde arka arkaya birçok kez küçük talaş kaldırma suretiyle çalışmada yarar vardır
- Daha fazla bilgi için [www.skil.com](http://www.skil.com) adresine bakın

## BAKIM / SERVİS

- Bu alet profesyonel kullanıma yönelik değildir
- Aleti ve kablolarını daima temiz tutun (özellikle havalandırma yuvalarını S ②)
- Hareketli çubuklar T ②'yi sık sık yağlayın
- Dikkatli biçimde yürütülen üretim ve test yöntemlerine rağmen alet arıza yapacak olursa, onarım SKIL elektrikli aletleri için yetkili bir serviste yapılmalıdır
- aleti **ambalajıyla** birlikte satın alma belgenizi de ekleyerek satıcınıza veya en yakın SKIL servisine ulaştırın (adresler ve aletin servis şemaları [www.skil.com](http://www.skil.com) adresinde listelenmiştir)
- Aşırı yüklenme ve yanlış kullanım aleti garanti kapsamından çıkaracağını unutmayın (SKIL garanti koşulları için [www.skil.com](http://www.skil.com) adresine bakın veya satıcınıza başvurun)

## ÇEVRE

- **Elektrikli aletlerini, aksesuarları ve ambalajları evdeki çöp kutusuna atmayın** (sadece AB ülkeleri için)
- kullanılmış elektrikli aletleri, elektrik ve elektronik eski cihazlar hakkındaki 2012/19/EC Avrupa yönergelerine göre ve bu yönergeler ulusal hukuk kurallarına göre uyarlanarak, ayrı olarak toplanmalı ve çevre şartlarına uygun bir şekilde tekrar değerlendirilmeye gönderilmelidir
- sembol ⑤ size bunu anımsatmalıdır

## GÜRÜLTÜ / TİTREŞİM

- EN 60745 uyarınca ölçülen bu aletin ses basıncı seviyesi 91,0 dB(A) ve ses gücü seviyesi 102,0 dB(A) (tolerans K = 3 dB), titreşimi ise 4,5 m/s<sup>2</sup> (triaks vektör toplamı; tolerans K = 1,5 m/s<sup>2</sup>)
- Titreşim emisyon seviyesi EN 60745'te sunulan standart teste göre ölçülmüştür; bu seviye, bir aleti bir başkasıyla karşılaştırmak amacıyla ve aletin söz konusu uygulamalarda kullanılması sırasında titreşime maruz kalma derecesinin ön değerlendirmesi olarak kullanılabilir
- aletin farklı uygulamalar için veya farklı ya da bakımı yetersiz yapılmış aksesuarlarla kullanılması, maruz kalma seviyesini belirgin biçimde **artırabilir**
- aletin kapalı olduğu veya çalıştığı ancak gerçek anlamda iş yapmadığı zamanlarda, maruz kalma seviyesi belirgin biçimde **azalabilir**
- ! **aletin ve aksesuarlarının bakımını yaparak, ellerinizi sıcak tutarak ve iş modellerinizi düzenleyerek kendinizi titreşimin etkilerinden koruyun**

PL

## Frezarka

1860

## WSTĘP

- Narzędzie jest przeznaczone do nacinania, frezowania rowków, krawędzi, profili i otworów w drewnie, plastiku i innych lekkich materiałach budowlanych
- Narzędzie nie jest przeznaczone do zastosowań profesjonalnych
- Przeczytać i zachować niniejszą instrukcję obsługi ③

## DANE TECHNICZNE ①

## ELEMENTY NARZĘDZIA ②

- A** Wrzeciono wciskając blokadę
- B** Nakrętka tulei
- C** Klucz
- D** Ogranicznik głębokości wiercenia
- E** Pokrętko dokładnej regulacji
- F** Skala dokładnej regulacji
- G** Głowica rewolwerowa
- H** Pokrętko regulacyjne (ogranicznik głębokości wiercenia)
- J** Dźwignia mocujący
- K** Pokrętko wyboru prędkości
- L** Adapter odsysacza trocin
- M** Włazcznik/wyłazcznik

- N Wyłącznik bezpieczeństwa
- P Płyta adaptera
- Q Prowadnica równoległa
- R Płyta podstawy
- S Szczeliny wentylacyjne
- T Pręty ślizgowe
- V Pokrywa zabezpieczająca
- W Bufor krzywizny
- Y Pręty przewodnicy równoległej
- Z Pokrętko regulacji przewodnicy równoległej
- AA Sworzeń przewodnicy równoległej
- AB Nakrętka przewodnicy równoległej
- AC Osłona przeciwooblaskowa
- AD Lampka LED

## BEZPIECZEŃSTWO

### OGÓLNE OSTRZEŻENIA DOTYCZĄCE BEZPIECZEŃSTWA UŻYTKOWNIA ELEKTRONARZĘDZIA

**⚠ OSTRZEŻENIE** Należy przeczytać wszystkie ostrzeżenia dotyczące bezpieczeństwa, instrukcje, ilustracje i dane techniczne dostarczone z tym elektronarzędziem. Nieprzestrzeganie wszystkich poniższych instrukcji może skutkować porażeniem prądem, pożarem i/lub poważnym obrażeniem ciała.

**Wszystkie ostrzeżenia i wskazówki należy zachować do dalszego zastosowania.**

Użyte w poniższym tekście pojęcie "elektronarzędzie" odnosi się do elektronarzędzi zasilanych energią elektryczną z sieci (z przewodem zasilającym) i do elektronarzędzi zasilanych akumulatorami (bez przewodu zasilającego).

#### 1) BEZPIECZEŃSTWO MIEJSCA PRACY

- a) **Miejsce pracy należy utrzymywać w czystości i dobrze oświetlone.** Nieporządek lub nie oświetlone miejsce pracy mogą doprowadzić do wypadków.
- b) **Nie należy pracować tym narzędziem w otoczeniu zagrożonym wybuchem, w którym znajdują się np. łatwopalne ciecze, gazy lub pyły.** Elektronarzędzia wytwarzają iskry, które mogą podpalić ten pył lub pary.
- c) **Elektronarzędzie trzymać podczas pracy z daleka od dzieci i innych osób.** Przy nieuwadze można stracić kontrolę nad narzędziem.

#### 2) BEZPIECZEŃSTWO ELEKTRYCZNE

- a) **Wtyczka urządzenia musi pasować do gniazda. Nie wolno modyfikować wtyczki w jakikolwiek sposób. Nie należy używać wtyczek adapterowych razem z uziemnionymi narzędziami.** Niezmienione wtyczki i pasujące gniazda zmniejszają ryzyko porażenia prądem.
- b) **Należy unikać kontaktu z uziemnionymi powierzchniami jak rury, grzejniki, piece i lodówki.** Istnieje zwiększone ryzyko porażenia prądem, gdy Państwa ciało jest uziemnione.
- c) **Urządzenie należy przechowywać zabezpieczone przed deszczem i wilgocią.** Wniknięcie wody do elektronarzędzia podwyższa ryzyko porażenia prądem.
- d) **Nigdy nie należy używać kabla do innych czynności. Nigdy nie używać kabla do noszenia urządzenia za kabel, zawieszenia lub do wyciągania wtyczki z**

**gniazda. Kabel należy trzymać z daleka od wysokich temperatur, oleju, ostrych krawędzi lub ruchomych części urządzenia.** Uszkodzone lub poplątane kable zwiększają ryzyko porażenia prądem.

- e) **W przypadku, kiedy elektronarzędziem pracuje się na świeżym powietrzu należy używać kabla przedłużającego, który dopuszczony jest do używania na zewnątrz.** Użycie dopuszczonego do używania na zewnątrz kabla przedłużającego zmniejsza ryzyko porażenia prądem.
- f) **Jeżeli nie da się uniknąć zastosowania elektronarzędzia w wilgotnym otoczeniu, należy użyć wyłącznika ochronnego różnicowo-prądowego.** Zastosowanie wyłącznika ochronnego różnicowo-prądowego zmniejsza ryzyko porażenia prądem.
- 3) **BEZPIECZEŃSTWO OSÓB**
  - a) **Należy być uważnym, uważać na to co się robi i pracę elektronarzędziem rozpoczynać z rozsądkiem. Nie należy używać urządzenia gdy jest się zmęczonym lub pod wpływem narkotyków, alkoholu lub lekarstw.** Moment nieuwagi przy użyciu urządzenia może doprowadzić do poważnych urażeń ciała.
  - b) **Należy nosić osobiste wyposażenie ochronne i zawsze okulary ochronne.** Noszenie osobistego wyposażenia ochronnego jak maska przeciwpyłowa, nie ślizgające się buty robocze, hełm ochronny lub ochrona słuchu, w zależności od rodzaju i zastosowania elektronarzędzia zmniejsza ryzyko obrażeń ciała.
  - c) **Należy unikać niezamierzonego uruchomienia narzędzia. Przed włożeniem wtyczki do gniazda i/ lub podłączeniem do akumulatora, a także przed podniesieniem lub przeniesieniem elektronarzędzia, należy upewnić się, że elektronarzędzie jest wyłączone.** Trzymanie palca na wyłączniku podczas przenoszenia elektronarzędzia lub podłączenie do prądu włączonego narzędzia, może stać się przyczyną wypadków.
  - d) **Zanim urządzenie zostanie włączone należy usunąć narzędzia nastawcze lub klucze.** Narzędzie lub klucz, które znajdują się w ruchomych częściach urządzenia mogą doprowadzić do obrażeń ciała.
  - e) **Nie należy przeceniać swoich możliwości. Należy dbać o bezpieczną pozycję pracy i zawsze utrzymywać równowagę.** Przez to możliwa jest lepsza kontrola urządzenia w nieprzewidywanych sytuacjach.
  - f) **Należy nosić odpowiednie ubranie. Nie należy nosić luźnego ubrania lub biżuterii. Włosa i ubranie należy trzymać z daleka od ruchomych elementów.** Luźne ubranie, biżuteria lub długie włosy mogą zostać pociągnięte przez poruszające się części.
  - g) **W przypadku, kiedy możliwe jest zamontowanie urządzeń odsysających lub podchwytyjących należy upewnić się, czy są one właściwie podłączone i prawidłowo użyte.** Użycie urządzenia odsysającego pył może zmniejszyć zagrożenie pyłami.
  - h) **Nie wolno pozwolić, aby rutyna nabyta w wyniku wielokrotnego użycia elektronarzędzia, zastąpiła ściśle przestrzeganie zasad bezpieczeństwa.** Niedbale obsługiwane elektronarzędzie może w ułamku sekundy wyrządzić istotne szkody lub spowodować ciężkie obrażenia.

#### 4) UWAŻNE OBCOWANIE ORAZ UŻYCIE ELEKTRONARZĘDZIA

- a) **Nie należy przeciążać urządzenia. Do pracy używać należy elektronarzędzia, które jest do tego przewidziane.** Odpowiednim narzędziem pracuje się lepiej i bezpieczniej w podanym zakresie sprawności.
  - b) **Nie należy używać elektronarzędzia, którego włącznik/wyłącznik jest uszkodzony.** Elektronarzędzie, którego nie można włączyć lub wyłączyć jest niebezpieczne i musi zostać naprawione.
  - c) **Przed rozpoczęciem jakichkolwiek prac nastawczych, przed wymianą osprzętu lub przed odłożeniem elektronarzędzia należy wyjąć wtyczkę z gniazda sieciowego i/lub usunąć akumulator.** Ten środek ostrożności zapobiega niezamierzonemu włączeniu się urządzenia.
  - d) **Nie używane elektronarzędzia należy przechowywać poza zasięgiem dzieci. Nie należy udostępniać narzędzia osobom, które jego nie umieją lub nie przeczytały tych przepisów.** Używane przez niedoświadczone osoby elektronarzędzia są niebezpieczne.
  - e) **Elektronarzędzia i osprzęt należy utrzymywać w nienagannym stanie technicznym. Należy kontrolować, czy ruchome części urządzenia funkcjonują bez zarzutu i nie są zablokowane, czy części nie są pęknięte lub uszkodzone, co mogłoby mieć wpływ na prawidłowe funkcjonowanie urządzenia. Uszkodzone narzędzie należy przed użyciem urządzenia oddać do naprawy.** Wiele wypadków spowodowanych jest przez niewłaściwą konserwację elektronarzędzi.
  - f) **Osprzęt tnący należy utrzymywać ostry i czysty.** Starannie pielęgnowany osprzęt tnący z ostrymi krawędziami tnącymi blokuje się rzadziej i łatwiej się używa.
  - g) **Elektronarzędzia, osprzęt, narzędzia itd. należy używać odpowiednio do tych przepisów. Uwzględnić należy przy tym warunki pracy i czynność do wykonania.** Użycie elektronarzędzi do innych niż przewidziane prace może doprowadzić do niebezpiecznych sytuacji.
  - h) **Uchwyty i powierzchnie chwytowe powinny być zawsze suche, czyste, niezabrudzone olejem ani smarem.** Śliskie uchwyty i powierzchnie chwytowe nie pozwalają na bezpieczne trzymanie narzędzia i kontrolę nad nim w nieoczekiwanych sytuacjach.
- 5) **SERWIS**
- a) **Naprawę urządzenia należy zlecić jedynie kwalifikowanemu fachowcowi i przy użyciu oryginalnych części zamiennych.** To gwarantuje, że bezpieczeństwo użytkownika zostanie zachowane.

#### PRZEPISY BEZPIECZEŃSTWA FREZARKEK

- **Elektronarzędzie należy dotykać jedynie przy izolowanych powierzchniach uchwytu, ponieważ przecinak może dotknąć własnego przewodu** (przecięcie przewodów pod napięciem może spowodować pojawienie się napięcia na metalowych elementach narzędzia i porażenie operatorem prądem)
- **Używać kleszczy lub innych narzędzi do zabezpieczenia i podparcia obrabianego materiału**

**do stabilnej powierzchni** (trzymanie części w ręku lub opieranie jej o ciało może prowadzić do utraty kontroli)

#### OGÓLNE

- Narzędzie nie powinny używać dzieci poniżej 16 roku życia
- Przed przystąpieniem do wykonywania jakichkolwiek czynności przy narzędziu, w czasie przerw w pracy jak również po jej zakończeniu wyjąć wtyczkę z gniazda sieciowego

#### AKCESORIA

- SKIL może zagwarantować bezawaryjne działanie narzędzia tylko przy korzystaniu z oryginalnego wyposażenia dodatkowego
- Używać tylko akcesoriów, których dopuszczalna prędkość obrotowa jest co najmniej tak wysoka jak najwyższa prędkość obrotowa urządzenia na biegu bez obciążenia
- Nie należy stosować frezów, które są uszkodzone lub zniekształcone
- Używać tylko ostrych frezów
- Akcesoria należy chronić przed uderzeniami, wstrząsami i smarem
- Używać tylko frezów ze stali szybko tnącej (HSS) lub węglików spiekanych (CT)

#### PRZED UŻYCIEM

- Uwaga na gwałdzie, śruby i inne twarde przedmioty; przed przystąpieniem do obróbki powinny być usunięte z obrabianego przedmiotu; usunąć je przed rozpoczęciem pracy
  - Każdorazowo należy sprawdzać, czy napięcie zasilania jest zgodne z napięciem podanym na tabliczce znamionowej urządzenia
  - **Nie należy obrabiać materiału zawierającego azbest** (azbest jest rakotwórczy)
  - Nie należy zaciskać narzędzia w imadle
  - W przypadku korzystania z kabla przedłużającego należy zwrócić uwagę, aby był maksymalnie nawinięty na bęben oraz był przystosowany do przewodzenia prądu o natężeniu przynajmniej 16 A
  - Poziom hałas podczas pracy może przekraczać 85 dB(A); używać nasłucharki do ochrony słuchu
  - Pył pochodzący z takich materiałów, jak farby zawierające ołów, niektóre gatunki drzewa, minerały i metal może być szkodliwy (kontakt z nim lub wdychanie takiego pyłu może powodować reakcje alergiczne i/lub niewydolność oddechową u operatora lub osób towarzyszących); **należy zakładać maskę przeciwpyłową i pracować z urządzeniem odsysającym, jeżeli można je podłączyć**
  - Niektóre rodzaje pyłu są zaklasyfikowane jako rakotwórcze (takie, jak pył dębu i buka) szczególnie w połączeniu z dodatkami do kondycjonowania drewna; **należy zakładać maskę przeciwpyłową i pracować z urządzeniem odsysającym pył, jeżeli można je podłączyć**
  - Należy stosować się do lokalnych wymogów dotyczących pracy w otoczeniu pyłu powstającego podczas obróbki materiału
  - Przed podłączeniem do prądu należy się upewnić, że narzędzie jest wyłączone
- #### PODCZAS UŻYWANIA
- Kabel zasilający powinien stale znajdować się w bezpiecznej odległości od wirującej części elektronarzędzia; kabel zasilający zawsze prowadzić z tyłu elektronarzędzia
  - Nie wolno nigdy używać narzędzia z uszkodzoną

podstawą R ② (= osłona ochronna); ich naprawę należy powierzyć odpowiednio wykwalifikowanej osobie

- Nigdy nie używać narzędzia, gdy przewód jest uszkodzony; musi on zostać wymieniony na przewód specjalny dostępny w sieci serwisowej.
- Nie zbliżać palców ani dłoni do frezu kiedy narzędzie jest włączone
- Nigdy nie przekraczać maksymalnej głębokości frezowania frezu podczas pracy
- W przypadku wadliwego działania mechanicznych lub elektrycznych elementów urządzenia, należy bezzwocznie odłączyć narzędzie i wyjąć wtyczkę
- W przypadku zablokowania frezów, czego efektem jest szarpanie podczas pracy, należy natychmiast wyłączyć narzędzie
- W przypadku przerwy w zasilaniu na przykład w skutek nieumyślnego wyciągnięcia wtyczki, należy natychmiast wyłączyć narzędzie, dla zapobieżenia jej samoczynnemu włączeniu się
- Nie należy naciskać na przyrząd z siłą powodującą unieruchomienie narzędzia

#### PO UŻYCIU

- Po skończeniu pracy, odkręcić dźwignię J ②, ustawić narzędzie w położenie uchwytem zaciskowym do góry i wyłączyć

#### OBJAŚNIENIE SYMBOLI NA NARZĘDZIU

- ③ Przed użyciem przeczytaj instrukcję obsługi
- ④ Podwójna izolacja (brak uziemienia)
- ⑤ Nie wyrzucaj narzędzie wraz z odpadami z gospodarstwa domowego

## UŻYTKOWANIE

- Mocowanie/wyjmowanie freza ⑥
  - ! **wyłącz narzędzie i wyciągnij wtyczkę z gniazdka**
  - ! **upewnij się, że frez jest czysty**
  - ! **upewnij się czy średnica chwytu frezu oraz średnica tulejki (6 mm, 6,35 mm, 8 mm) zaciskowej są takie same**
  - odwrócić narzędzie do góry nogami
  - zablokować ruch wrzeciona wciskając blokadę A (poluzować zacisk B, jeżeli konieczne) podczas wymiany osprzętu
- MOCOWANIE:
  - obluźować zacisk B używając klucza C
  - umieścić frez w małej szczelinie x zacisku ⑦
  - zacisnąć zacisk mocno używając klucza C
  - zwolnić wrzeciono wciskając blokadę A
- WYJMOWANIE:
  - obluźwać zacisk B używając klucza C
  - wyjąć frez
  - zwolnić wrzeciono wciskając blokadę A
  - ! **w celu poluzowania frezu może okazać się konieczne pobicie górnej części frezu za pomocą młotka i kawałka drewna chroniącego frez**
  - ! **nigdy nie dociskać zaciska jeżeli nie ma zainstalowanego frezu; może to spowodować uszkodzenie tulei**
- Wymiana tulei ⑦
  - ! **wyłącz narzędzie i wyciągnij wtyczkę z gniazdka**
  - ! **upewnij się, że uchwyt zaciskowy jest czysty**
  - poluzuj zacisk B o 2 lub 3 obroty
  - postukaj w zacisk B kluczem C

- zdejmij zacisk B i tuleję (zablokowane wrzeciono)
- odwrócić narzędzie do góry nogami
- załóż nową tuleję do wrzeciona tulei
- wkręć zacisk B (zablokowane wrzeciono)

! **nigdy nie dociskać zaciska jeżeli nie ma zainstalowanego frezu; może to spowodować uszkodzenie tulei**

- Ustawienie głębokości frezowania ⑧
  - ! **wyłącz narzędzie i wyciągnij wtyczkę z gniazdka**
  - ustawić dokładną regulację w jej położeniu środkowym, obracając pokrętkę E do końca, a następnie wykonać 4 pełne obroty wstecz i ustawić skalę F na 0 ⑧a
  - obróć głowicę G aż do zatrzasknięcia jej najwyższej położonego elementu na miejscu, tuż pod wskaźnikiem głębokości D (do wyzerowania) ⑧b
  - poluzuj pokrętkę H na tyle, aby wskaźnik głębokości D osiadł na głowicy rewolwerowej G ⑧b
  - ustawić narzędzie na obrabianym przedmiocie
  - poluzuj dźwignię blokującą J ⑧c
  - opuścić narzędzie do dołu do zetknięcia się freza z powierzchnią obrabianego przedmiotu ⑧d
  - zwolnić i dokręcić dźwignię blokującą J ⑧e
  - przesunąć osłonę przeciwodblaskową AC do 0 mm ⑧f
  - unieś wskaźnik głębokości D zgodnie z wymaganą głębokością frezowania i dokręć pokrętkę H ⑧f
  - poluzuj dźwignię blokującą J i przesun narzędzie ponownie w górę
  - użyć pokrętki dokładnej regulacji E, aby ustawić bardziej precyzyjnie głębokość frezowania (0..±8 mm); znaki na skali F odpowiadają 0,1 mm, 1 pełny obrót odpowiada 2,00 mm
  - za pomocą głowicy rewolwerowej G można odpowiednio stopniowo zwiększyć głębokość frezowania (zalecane wykonanie głębszych nacięć)
- ! **po wymianie frezów należy ponownie ustawić głębokość frezowania**
- Kontrola prędkości ⑨
  - Dla zapewnienia optymalnych wyników frezowania różnych materiałów:
    - ustaw prędkość obrotową pokrętką K (również podczas pracy frezarki)
    - korzystaj z tabeli ⑩ do określenia prawidłowej prędkości obrotowej
    - przed przystąpieniem do pracy ustal optymalną prędkość, wypróbowując ją na kawałku zbędnego materiału
  - ! **po dłuższych okresach pracy na niskich prędkościach, odczekaj na ochłodzenie się frezarki, zezwalając na jej przebieg przez okres około 3 minut, z wysoką prędkością i bez obciążenia**
- Lampka LED AD ⑪
  - Kontrolka LED AD zapala się automatycznie po naciśnięciu włącznika M
- Odsysanie pyłu
  - zamontować adapter L według rysunku ⑫a
  - podłączyć rurę odsysacza trocin do adaptera odsysacza trocin L ⑫b
- Obsługa narzędzia ⑬
  - ! **elektronarzędzie trzymać zawsze oburącz**
  - ! **podczas pracy zawsze trzymać narzędzie za uchwyt(y) ograniczone szarym kolorem**

- ustawić narzędzie na obrabianym przedmiocie
- elektronarzędzie uruchomić wciskając przycisk N (= włącznik bezpieczeństwa, nie powinien być blokowany) a następnie uruchomić włącznik M

**! przed przystąpieniem do obróbki materiału elektronarzędzie powinno rozwinąć swoją maksymalną prędkość obrotową**

- poluzuj dźwignię blokującą J i powoli popchnij narzędzie w dół, tak aby wskaźnik głębokości D zetknął się z głowicą rewolwerową G
- dokręć dźwignię blokującą J
- frezowanie wykonywać ze prędkością
- płyta prowadząca frezarki powinna stałe przylegać do powierzchni obrabianego przedmiotu
- wykonując frezowanie elektronarzędzie należy ciągnąć do siebie a nie pchać w kierunku od siebie
- po skończeniu pracy, odkręć dźwignię J i ustawić narzędzie w położenie uchwytem zaciskowym do góry
- zwolnić włącznik/wyłącznik M
- Prawidłowy kierunek frezowania dla różnych przypadków zastosowania <sup>14</sup>
  - frez wiruje w kierunku zgodnym z kierunkiem wskazówek zegara
  - frezować tak aby frez był wprowadzany w materiał, a nie materiał nakładany na frez
- Mocowanie płyty dopasowującej P (do obróbki według wzorca) <sup>15</sup>
- Mocowanie prowadnicy równoległej Q <sup>16</sup>
  - wprowadzić szyny prowadzące Y w otwory na płycie podstawy R frezarki
  - przesuń prowadnicę piły na wymaganą szerokość i zamocuj ją 2 pokrętłami Z
- Korzystając z prowadnicy piły w charakterze prowadnicy okrajowej <sup>17</sup>

**! na wstępie odwróć prowadnicę piły**

  - zablokować trzpień AA nakrętką AB, jak na ilustracji
  - włóż pręty Y w płytę podstawową R
  - wbij kołek AA w zaznaczony środek łuku koła
  - dociśnij prowadnicę piły tarczowej 2 pokrętłami Z
  - prowadź narzędzie ze stałą prędkością, w poprzek ciętego materiału
- Używając prowadnicy z buforem krzywizny W <sup>18</sup>
  - zamocuj bufor krzywizny W (z zamocowaną rolką prowadzącą) w sposób przedstawiony na rysunku
  - prowadź narzędzie wzdłuż krawędzi ciętego materiału, wywierając lekki nacisk boczny

## WSKAZÓWKI UŻYTKOWANIA

- Przy wykonywaniu frezowania równoległego wzdłuż krawędzi stosować prowadnicę równoległą
- Przy wykonywaniu frezowania równoległego z dala od krawędzi <sup>13</sup>
  - przy pomocy 2 zacisków zamocować na powierzchni obrabianego przedmiotu dodatkową listwę
  - frezarkę prowadzić płaską stroną płyty podstawy wzdłuż krawędzi zamocowanej listwy, która służy teraz jako prowadnica równoległa
- Przy frezowaniu z prowadzeniem powierzchniowym powierzchnia powinna być odpowiednio gładka <sup>19</sup>
- Przy wykonywaniu frezowania do dużych głębokości zaleca się stopniowe zwiększanie głębokości

- Więcej informacji można znaleźć pod adresem [www.skil.com](http://www.skil.com)

## KONSERWACJA / SERWIS

- Narzędzie nie jest przeznaczone do zastosowań profesjonalnych
- Zawsze dbać o czystość narzędzia i przewodu zasilającego (a szczególnie otworów wentylacyjnych S <sup>2</sup>)
- Należy od czasu do czasu smarować pręty ślizgowe T <sup>2</sup>
- Jeśli narzędzie, mimo dokładnej i wszechstronnej kontroli produkcyjnej ulegnie kiedykolwiek awarii, naprawę powinien przeprowadzić autoryzowany serwis elektronarzędzi firmy SKIL
  - odesłać **nierozebrany** narzędzie, wraz z dowodem zakupu, do dealera lub do najbliższego punktu usługowego SKIL (adresy oraz diagram serwisowy narzędzia znajdują się na stronach [www.skil.com](http://www.skil.com))
- Prosimy pamiętać, że uszkodzenia spowodowane przeciążeniem lub niewłaściwym użytkowaniem narzędzia nie podlegają gwarancji (warunki gwarancji SKIL znajdują się na [www.skil.com](http://www.skil.com) lub pytać swojego dealera)

## ŚRODOWISKO

- **Nie wyrzucaj elektronarzędzi, akcesoriów i opakowania wraz z odpadami z gospodarstwa domowego** (dotyczy tylko państw UE)
  - zgodnie z Europejską Dyrektywą 2012/19/WE w sprawie zużytego sprzętu elektrotechnicznego i elektronicznego oraz dostosowaniem jej do prawa krajowego, zużyte elektronarzędzia należy posegregować i zutylizować w sposób przyjazny dla środowiska
  - w przypadku potrzeby pozbycia się narzędzia, akcesoriów i opakowania - symbol <sup>5</sup> przypomni Ci o tym

## HAŁASU / WIBRACJE

- Poziom ciśnienia akustycznego mierzonego zgodnie z normą EN 60745 wynosi 91,0 dB(A), a poziom mocy akustycznej wynosi 102,0 dB(A) (odchylenie K = 3 dB) 4,5 m/s<sup>2</sup> (trójosiowa suma wektorowa; odchylenie K = 1,5 m/s<sup>2</sup>)
  - Poziom emisji wibracji został zmierzony zgodnie z testem standaryzowanym podanym w EN 60745; może służyć do porównania jednego narzędzia z innym i jako ocena wstępna narażenia na wibracje w trakcie używania narzędzia do wymienionych zadań
    - używanie narzędzia do innych zadań, lub z innymi albo źle utrzymanymi akcesoriami, może znacząco **zwiększyć** poziom narażenia
    - przypadki, kiedy narzędzie jest wyłączone lub jest czynne, ale aktualnie nie wykonuje zadania, mogą znacząco **zmniejszyć** poziom narażenia
- ! należy chronić się przed skutkami wibracji przez konserwację narzędzia i jego akcesoriów, zakładanie rękawic i właściwą organizację pracy**

## Фрезер

1860

В состав эксплуатационных документов, предусмотренных изготовителем для продукции, могут входить настоящее руководство по эксплуатации, а также приложения.  
Информация о подтверждении соответствия содержится в приложении.

### Срок службы изделия

Срок службы изделия составляет 7 лет. Не рекомендуется к эксплуатации по истечении 5 лет хранения с даты изготовления без предварительной проверки (дату изготовления см. на этикетке).

### Перечень критических отказов и ошибочные действия персонала или пользователя

- не использовать с поврежденной рукояткой или поврежденным защитным кожухом
- не использовать при появлении дыма непосредственно из корпуса изделия
- не использовать с перебитым или оголенным электрическим кабелем
- не использовать на открытом пространстве во время дождя (в распыляемой воде)
- не включать при попадании воды в корпус
- не использовать при сильном искрении
- не использовать при появлении сильной вибрации

### Критерии предельных состояний

- перетёрт или повреждён электрический кабель
- поврежден корпус изделия

### Тип и периодичность технического обслуживания

Рекомендуется очистить инструмент от пыли после каждого использования.

### Хранение

- необходимо хранить в сухом месте
- необходимо хранить вдали от источников повышенных температур и воздействия солнечных лучей
- при хранении необходимо избегать резкого перепада температур
- хранение без упаковки не допускается
- подробные требования к условиям хранения смотрите в ГОСТ 15150 (Условие 1)

### Транспортировка

- категорически не допускается падение и любые механические воздействия на упаковку при транспортировке
- при разгрузке/погрузке не допускается использование любого вида техники, работающей по принципу зажима упаковки
- подробные требования к условиям транспортировки смотрите в ГОСТ 15150 (Условие 5)

### ВНИМАНИЕ!

**В случае возникновения перебоя в работе электроинструмента вследствие полного или частичного прекращения энергоснабжения или повреждения цепи управления энергоснабжением**

**установите выключатель в положение Выкл., убедившись, что он не заблокирован (при его наличии) и отключите сетевую вилку от розетки или отсоедините съёмный аккумулятор (этим предотвращается неконтролируемый повторный запуск)**

## ВВЕДЕНИЕ

- Инструмент предназначен для выпиливания канавок, кромок, профилей и удлинённых отверстий в дереве, пластмассе и лёгких строительных материалах, а также для копировальной фрезеровки
- Данный инструмент не подходит для промышленного использования
- Прочитайте и сохраните с данной инструкцией ③

## ТЕХНИЧЕСКИЕ ДАННЫЕ ①

### СТРАНА ИЗГОТОВЛЕНИЯ

Сделано в Китае

### ДЕТАЛИ ИНСТРУМЕНТА ②

- A** Замок вала
- B** Гайка цапги
- C** Ключ
- D** Регулятор глубины
- E** Ручка точной регулировки
- F** Шкала точной регулировки
- G** Головка контроля глубины
- H** Ручка регулировки (регулятор глубины)
- J** Фиксирующее рычаг
- K** Колёсико для регулирования скорости
- L** Адаптер пылесоса
- M** Выключатель
- N** Защитный выключатель
- P** Переходная пластина
- Q** Продольная направляющая линейка
- R** Основание
- S** Вентиляционные отверстия
- T** Скользящие стержни
- V** Защитная крышка
- W** Криволинейный буфер
- Y** Стержни направляющей планки
- Z** Головка для регулировки направляющей планки
- AA** Фиксатор направляющей планки
- AB** Гайка направляющей планки
- AC** Указатель глубины
- AD** Световой индикатор

## БЕЗОПАСНОСТЬ

### ОБЩИЕ УКАЗАНИЯ ПО ТЕХНИКЕ БЕЗОПАСНОСТИ ОБ- РАЩЕНИЯ С ЭЛЕКТРОИНСТРУМЕНТАМИ

**⚠ ВНИМАНИЕ!** Следует ознакомиться со всеми правилами техники безопасности, инструкциями, иллюстрациями и техническими данными, содержащимися в прилагаемых к этому электроинструменту материалах. Несоблюдение нижеперечисленных инструкций в полном объеме может повлечь поражение электрическим током, пожар и/или серьезную травму.

## Сохраняйте эти инструкции и указания для будущего использования.

Использованное в настоящих инструкциях и указаниях понятие “электроинструмент” распространяется на электроинструмент с питанием от сети (с кабелем питания от электросети) и на аккумуляторный электроинструмент (без кабеля питания от электросети).

### 1) БЕЗОПАСНОСТЬ РАБОЧЕГО МЕСТА

#### a) Соблюдайте чистоту и поддерживайте надлежащую освещенность на рабочем месте.

Беспорядок на рабочем месте или его плохое освещение могут привести к несчастным случаям.

#### b) Не используйте с электроинструментом во взрывоопасной среде, т.е. в непосредственной близости от легковоспламеняющихся жидкостей, газов или пыли. В процессе работы электроинструмент искрит и искры могут воспламенить газы или пыль.

#### c) При работе с электроинструментом не допускайте детей или посторонних на Ваше рабочее место. Отвлечение Вашего внимания может привести к потере контроля над работой электроинструмента.

### 2) ЭЛЕКТРИЧЕСКАЯ БЕЗОПАСНОСТЬ

#### a) Штепсельная вилка кабеля питания электроинструмента должна соответствовать розетке электросети. Не вносите никаких изменений в конструкцию вилки. Не используйте адапторы для электроинструмента с защитным заземлением. Заводские штепсельные вилки и соответствующие им сетевые розетки существенно снижают вероятность электрошока.

#### b) Избегайте механических контактов с такими заземленными поверхностями, как трубопроводы, системы отопления, плиты и холодильники. При соприкосновении человека с заземленными предметами во время работы инструментом вероятность электрошока существенно возрастает.

#### c) Оберегайте электроинструмент от воздействия дождя и влаги. Попадание воды в электроинструмент повышает вероятность электрического удара.

#### d) Используйте кабель строго по назначению. Не допускается тянуть и передвигать электроинструмент за кабель или использовать кабель для вытягивания вилки из розетки. Оберегайте кабель инструмента от воздействия высоких температур, масла, острых кромок или движущихся частей электроинструмента. Поврежденный или спутанный кабель повышает возможность электрического удара.

#### e) При работе на улице используйте удлинитель, предназначенный для работы вне помещения. Использование такого удлинителя снижает вероятность электрического удара.

#### f) Если невозможно избежать применения электроинструмента в сыром помещении, то устанавливайте устройство защиты от утечки в землю. Использование устройства защиты от утечки

в землю снижает риск электрического поражения.

### 3) ЛИЧНАЯ БЕЗОПАСНОСТЬ

#### a) Будьте внимательны, следите за тем, что Вы делаете и выполняйте работу обдуманно. Не пользуйтесь электроинструментом, если Вы устали или находитесь под воздействием транквилизаторов, алкоголя или медицинских препаратов. Секундная потеря концентрации в работе с электроинструментом может привести к серьезным травмам.

#### b) Используйте средства индивидуальной защиты. Защитные очки обязательны. Средства индивидуальной защиты, такие как противопылевой респиратор, нескользящая защитная обувь, шлем-каска, средства защиты органов слуха применяются в соответствующих условиях работы обстоятельствах и минимизируют возможность получения травм.

#### c) Предотвращайте непреднамеренное включение электроинструмента. Перед подключением электроинструмента к электропитанию и/или к аккумулятору убедитесь в выключенном состоянии электроинструмента. Если Вы при транспортировке электроинструмента держите палец на выключателе или включенный электроинструмент подключаете к сети питания, то это может привести к несчастному случаю.

#### d) Во избежание травм перед выключением электроинструмента удалите регулировочный или гаечный ключ из вращающейся части электроинструмента.

#### e) Не переоценивайте свои возможности. Твердо стойте на ногах и удерживайте равновесие. В таком положении вы сможете лучше контролировать электроинструмент в неожиданных ситуациях.

#### f) Используйте подходящую рабочую одежду. Не надевайте свободную одежду и украшения. Держите волосы и одежду вдали от движущихся частей. Свободная одежда, украшения или длинные волосы легко могут попасть в движущиеся части электроинструмента.

#### g) При наличии пылесосывающих и пылесборных приспособлений убедитесь в том, что они подсоединены и используются надлежащим образом. Применение пылесоса может снизить опасности, создаваемые пылью.

#### h) Хорошее знание электроинструментов, полученное в результате частого их использования, не должно приводить к самоуверенности и игнорированию техники безопасности обращения с электроинструментами. Одно небрежное действие за долю секунды может привести к серьезным травмам.

### 4) ЭКСПЛУАТАЦИЯ И УХОД ЗА ЭЛЕКТРОИНСТРУМЕНТОМ

#### a) Не перегружайте электроинструмент. Используйте тот электроинструмент, который предназначен для данной работы. С подходящим электроинструментом Вы выполните работу лучше и надежнее, используя весь диапазон его возможностей.

#### b) Не используйте электроинструмент с

неисправным выключателем. Инструмент с неисправным выключателем опасен и подлежит ремонту.

- c) **До начала наладки электроинструмента, замены принадлежностей или прекращения работы отключайте штепсельную вилку от розетки сети и/или выньте, если это возможно, аккумулятор.** Данная мера предосторожности предотвращает случайное включение электроинструмента.
- d) **Храните неиспользуемый электроинструмент в недоступном для детей месте и не позволяйте использовать его лицам, не умеющим с ним обращаться или не ознакомленным с инструкцией по эксплуатации.** Электроинструменты представляют собой опасность в руках неопытных пользователей.
- e) **Тщательно ухаживайте за электроинструментом и принадлежностями. Проверяйте безупречность функции подвижных частей, лёгкость их хода, целостность всех частей и отсутствие повреждений, которые могут негативно сказаться на работе инструмента. При обнаружении повреждений сдайте инструмент в ремонт.** Большое число несчастных случаев связано с неудовлетворительным уходом за электроинструментом.
- f) **Режущие части инструмента необходимо поддерживать в заточенном и чистом состоянии.** При надлежащем уходе за режущими принадлежностями с острыми кромками они реже заклиниваются и инструмент лучше поддаётся контролю.
- g) **Используйте электроинструмент, принадлежности, биты и т.д. в соответствии с данными инструкциями, исходя из особенностей условий и характера выполняемой работы.** Использование электроинструмента не по назначению может привести к опасным последствиям.
- h) **Держите ручки и поверхности захвата сухими и чистыми, следите чтобы на них чтобы на них не было жидкой или консистентной смазки.** Скользкие ручки и поверхности захвата препятствуют безопасному обращению с инструментом и не дают надёжно контролировать его в непредвиденных ситуациях.
- 5) **СЕРВИСНОЕ ОБСЛУЖИВАНИЕ**
  - a) **Передавайте электроинструмент на сервисное обслуживание только квалифицированному персоналу, использующему только подлинные запасные части.** Это обеспечит сохранение безопасности электроинструмента.

## УКАЗАНИЯ ПО БЕЗОПАСНОСТИ ДЛЯ ФРЕЗЕРА

- **Держите электроинструмент за изолированные поверхности рукояток, т.н. режущий инструмент может соприкоснуться со шнуром** (перерезание провода под напряжением может вызвать подачу напряжения на открытые металлические части электроинструмента и привести к поражению оператора)
- **Используйте струбицы или другой удобный**

**способ для крепления изделия к прочной платформе и его поддержки** (если держать изделие в руках или прижимать к телу, оно будет недостаточно зафиксировано, что может привести к потере контроля)

## ОБЩЕЕ

- Инструмент нельзя использовать лицам в возрасте до 16 лет
- Перед регулировкой или сменой принадлежностей обязательно выньте вилку из сетевой розетки

## ПРИНАДЛЕЖНОСТИ

- SKIL обеспечивает надёжную работу инструмента только при использовании соответствующих приспособлений
- Использовать только принадлежности, предельно допустимая скорость вращения которых не меньше, чем максимальная скорость вращения прибора на холостом ходу
- Не используйте повреждённые или деформированные фрезы
- Используйте только острые фрезы
- Предохраняйте насадки от воздействия ударных нагрузок и попадания на них смазки
- Используйте этот инструмент только со стальными фрезами для высокой скорости (HSS) или твёрдосплавными фрезами (СТ)

## ПЕРЕД ИСПОЛЬЗОВАНИЕМ

- Избегайте повреждений, которые могут быть вызваны винтами, гвоздями и прочими элементами, находящимися в обрабатываемом предмете; перед началом работы их нужно удалить
- Обязательно убедитесь, что напряжение питания соответствует напряжению, указанному на фирменном штампе инструмента
- **Не обрабатывайте материалы с содержанием асбеста** (асбест считается канцерогеном)
- Не зажимайте инструмент в тисках
- Используйте полностью размотанные и безопасные удлинители, рассчитанные на ток не менее 16 А
- Поскольку уровень шума при работе данного инструмента может превышать 80 дБ(А); всегда используйте защиту для ушей
- Пыль от таких материалов, как свинцовосодержащая краска, некоторые породы дерева, минералы и металл, может быть вредна (контакт с такой пылью или ее вдыхание может стать причиной возникновения у оператора или находящихся рядом лиц аллергических реакций и/или респираторных заболеваний); **надевайте респиратор и работайте с пылеудаляющим устройством при включении инструмента**
- Некоторые виды пыли классифицируются как канцерогенные (например, дубовая или буковая пыль), особенно в сочетании с добавками для кондиционирования древесины; **надевайте респиратор и работайте с пылеудаляющим устройством при включении инструмента**
- Следуйте принятым в вашей стране требованиям/нормативам относительно пыли для тех материалов, с которыми вы собираетесь работать
- Убедитесь в том, что инструмент выключен перед подключением его к розетке

## ВО ВРЕМЯ ИСПОЛЬЗОВАНИЯ

- Следите за тем, чтобы сетевой шнур не находился рядом с движущимися деталями инструмента; нужно всегда направлять электрический шнур к



задней части инструмента, исключая его захват инструментом

- Нельзя пользоваться инструментом при повреждении базовой плиты R ② (= защитное ограждение); необходимо позаботиться о ее замене силами квалифицированного персонала
- Никогда не пользуйтесь инструментом с поврежденным кабелем питания; его необходимо заменить специальным кабелем питания, обратившись в сервисную организацию.
- Держите руки в стороне от фрезы, когда инструмент включён
- Никогда при работе не режьте на глубину больше максимальной для фрезы
- В случае любой электрической или механической неисправности немедленно выключите инструмент и выньте вилку из розетки
- Если фрезу заело, и инструмент работает толчками, немедленно выключите его
- При прерывании питания или при случайном вытягивании вилки из разъёма немедленно, для предотвращения непреднамеренного пуска немедленно выключите инструмент
- Не прилагайте на инструмент чрезмерного усилия, которое может вызвать его заклинивание

#### ПОСЛЕ ИСПОЛЬЗОВАНИЯ

- После окончания работы отпустите рычаг J ②, установите инструмент в верхнее начальное положение и выключите

#### ПОЯСНЕНИЕ К УСЛОВНЫМ ОБОЗНАЧЕНИЯМ НА ИНСТРУМЕНТЕ

- ③ Перед использованием ознакомьтесь с руководством по эксплуатации
- ④ Двойная изоляция (заземляющий провод не требуется)
- ⑤ Не выкидывайте инструмент вместе с бытовым мусором

## ИСПОЛЬЗОВАНИЕ

- Установка/снятие фрезы ⑥
  - ! **выключите инструмент и выньте вилку из розетки**
  - ! **гарантируйте полную чистоту фрезы**
  - ! **гарантируйте соответс размера патрона (6 мм, 6,35 мм, 8 мм) ивала фрезы**
  - переверните инструмент вверх дном
  - закройте вал, нажав на замок вала А (поверните гайку патрона В, если нужно) и держите его, пока Вы

#### ДЛЯ УСТАНОВКИ:

- ослабляете гайку патрона В ключом С
- вставьте инструмент х в патрон ⑦ с небольшим зазором

- затягиваете гайку патрона ключом С
- ослабляете замок вала А

#### ДЛЯ СНЯТИЯ:

- ослабляете гайку патрона В ключом С
- удалите фрезу
- ослабляете замок вала А

- ! **для высвобождения фрезы по ней можно постучать молотком, положив на нее сверху деревяшку во избежание повреждений**
- ! **никогда не затягивайте гайку патрона, если в нём нет фрезы; в противном случае Вы можете**

#### повредить патрон

- Смена патронов ⑦
  - ! **выключите инструмент и выньте вилку из розетки**
  - ! **гарантируйте полную чистоту вала патрона**
  - ослабьте гайку патрона В, повернув на 2 или 3 оборота
  - постучите по гайке патрона В ключом С
  - удалите гайку патрона В и патрон (заприте вал)
  - переверните инструмент вверх дном
  - установите новый патрон в вал патрона
  - установите гайку патрона В (заприте вал)
  - ! **никогда не затягивайте гайку патрона, если в нём нет фрезы; в противном случае Вы можете повредить патрон**
- Регулировка глубины фрезирования ⑧
  - ! **выключите инструмент и выньте вилку из розетки**
  - привести тонкую регулировку в центральное положение, повернув ручку Е до конца, а затем повернуть назад на 4 полных оборота и установить шкалу F на 0 ⑧a
  - поверните головку G так, чтобы она защелкнулась в крайнем нижнем положении непосредственно под измерителем глубины D (для установки на ноль) ⑧b
  - отпустите ручку H, чтобы измеритель глубины D опустился на головку ограничителя глубины G ⑧b
  - установите инструмент на изделие
  - отпустите фиксирующий рычаг J ⑧c
  - протолкните инструмент вниз, пока фреза не прикоснётся к поверхности изделия ⑧d
  - отпустите и затяните фиксирующий рычаг J ⑧e
  - установите указатель глубины АС на 0 мм ⑧f
  - поднимите измеритель глубины D до нужной глубины фрезерования и затяните ручку H ⑧f
  - отпустите фиксирующий рычаг J и снова проведите инструмент обратно вверх
  - с помощью ручки точной регулировки Е установите более точно глубину фрезерования (0..±8 мм); отметки на шкале F соответствуют 0,1 мм, 1 полный оборот соответствует 2,0 мм
  - головкой ограничителя глубины G производится пошаговое увеличение глубины фрезерования (рекомендуется при глубоком резе)
  - ! **заменяв фрезы, отрегулируйте глубину фрезерования повторно**
- Регулятор скорости ⑨
  - Для оптимального результата на разных материалах
  - устанавливайте скорость фрезерования с помощью колеса К (даже при работе инструмента)
  - таблица ⑩ предлагает указания для выбора верной скорости фрезерования
  - перед началом работы определите оптимальную скорость на каком-нибудь обрезке материала
  - ! **после продолжительной работы на низкой скорости остудите инструмент, прогнав его на большой скорости в течение 3 минут вхолостую**
- Световой индикатор AD ⑪
  - Светодиодный индикатор AD включается автоматически при включении выключателя М

- Отсасывание пыли
  - установите адаптер для подсоединения пылесоса L как показано ⑫а
  - подсоедините шланг пылесоса к переходнику пылесоса L ⑫б
- Использование инструмента ⑬
  - ! **всегда держите инструмент двумя руками во время работы, всегда держите инструмент за места правильного хвата, которые обозначены серым цветом**
  - установите инструмент на изделие
  - включите инструмент, для чего сначала нажмите большую кнопку N (= защитный выключатель без фиксатора), а затем передвиньте переключатель M
  - ! **инструмент должен работать на полной скорости до того, как фреза коснется изделия**
  - отпустите фиксирующий рычаг J и медленно протолкните инструмент вниз, чтобы измеритель глубины D достиг головки ограничителя глубины G
  - затяните фиксирующий рычаг J
  - осуществляют фрезирование плавными движениями
  - базовая плита инструмента должна опираться на изделие
  - в основном нужно тянуть инструмент на себя, а не толкать от себя
  - после окончания работы отпустите рычаг J и установите инструмент в верхнее начальное положение
  - отпустите курок выключателя M
- Правильная работа ⑭
  - помните, что фреза поворачивается по часовой стрелке
  - направляйте инструмент так, чтобы фреза поворачивалась в изделие, а не от него
- Установка плиты адаптера P (для копирования по шаблону) ⑮
- Установка направляющей планки Q ⑯
  - установите стержни направляющей планки Y в отверстия в базовой плите R
  - установите направляющую планку на нужную глубину и закрепите двумя ручками Z
- Используйте направляющую планку как круговую направляющую ⑰
  - ! **сначала поверните направляющую планку**
  - зафиксируйте штифт AA гайкой AB как показано на иллюстрации
  - установите стержни Y в плиту основания R
  - установите штифт AA в отмеченный центр дуги
  - закрепите направляющую планку двумя ручками Z
  - плавно продвигайте инструмент по изделию
- Использование направляющей планки с буфером W ⑱
  - установите изогнутый буфер W (с установленным направляющим роликом, как показано)
  - продвигайте инструмент по краю изделия с лёгким боковым нажимом

## СОВЕТЫ ПО ИСПОЛЬЗОВАНИЮ

- Для фрезерования параллельных канавок в боковой стороне изделия используйте направляющую планку

- Для фрезерования параллельных канавок далеко от края изделия ⑲
  - закрепите прямой отрезок дерева на изделии с помощью двух зажимов
  - направляйте базовую плиту по краю обрезка, который служит направляющей планкой
- При использовании фрез с контрольным или шариковым подшипником этот подшипник должен скользить вдоль кромки изделия, которая должна быть идеально гладкой ⑳
- Для более глубокого фрезерования рекомендуется выполнить несколько повторных резаний с низкой степенью среза
- Подробнее на сайте [www.skil.com](http://www.skil.com)

## ТЕХОБСЛУЖИВАНИЕ / СЕРВИС

- Данный инструмент не подходит для промышленного использования
- Всегда содержите инструмент и его шнур в чистоте (особенно вентиляционные отверстия S ②)
- Время от времени смазывайте скользящие стержни T ②
- Если инструмент, несмотря на тщательные методы изготовления и испытания, выйдет из строя, то ремонт следует производить силами авторизованной сервисной мастерской для электроинструментов фирмы SKIL
  - отправьте **неразобранный** инструмент со свидетельством покупки Вашему дилеру или в ближайшую станцию обслуживания фирмы SKIL (адреса и схема обслуживания инструмента приведены в вебсайте [www.skil.com](http://www.skil.com))
- Примите к сведению, что повреждения вследствие перегрузки или ненадлежащего обращения с инструментом не будут включены в гарантию (условия гарантии SKIL см. на сайте [www.skil.com](http://www.skil.com) или узнайте у дилера в Вашем регионе)

## ОХРАНА ОКРУЖАЮЩЕЙ СРЕДЫ

- **Не выкидывайте электроинструмент, принадлежности и упаковку вместе с бытовым мусором** (только для стран ЕС)
  - во исполнение европейской директивы 2012/19/ЕС об утилизации отслужившего свой срок электрического и электронного оборудования и в соответствии с действующим законодательством, утилизация электроинструментов производится отдельно от других отходов на предприятиях, соответствующих условиям экологической безопасности
  - значок ⑤ напомним Вам об этом, когда появится необходимость сдать электроинструмент на утилизацию

## ШУМ / ВИБРАЦИЯ

- Согласно измерениям в соответствии с EN 60745 уровень звукового давления этого инструмента составляет 91,0 дБ(A), уровень звуковой мощности — 102,0 дБ(A) (погрешность K = 3 дБ), а вибрация 4,5 м/с<sup>2</sup> (векторная сумма по трем осям; погрешность K = 1,5 м/с<sup>2</sup>)
- Уровень вибрации был измерен в соответствии со стандартизированным испытанием, содержащимся

в EN 60745; данная характеристика может использоваться для сравнения одного инструмента с другим, а также для предварительной оценки воздействия вибрации при использовании данного инструмента для указанных целей

- при использовании инструмента в других целях или с другими/неисправными вспомогательными приспособлениями уровень воздействия вибрации может значительно **повышаться**

- в периоды, когда инструмент отключен или функционирует без фактического выполнения работы, уровень воздействия вибрации может значительно **снижаться**

**! защищайте себя от воздействия вибрации, поддерживая инструмент и его вспомогательные приспособления в исправном состоянии, поддерживая руки в тепле, а также правильно организуя свой рабочий процесс**

UA

## Фрезарка

1860

### ВСТУП

- Цей пристрій призначений для фрезерування жолобків, фасок, профілів і продовговуватих отворів у дереві, пластику та легких будівельних матеріалах, а також для копіювального фрезерування
- Цей інструмент не придатний для промислового використання
- Прочитайте і збережіть цю Інструкцію з експлуатації <sup>③</sup>

### ТЕХНІЧНІ ДАНІ <sup>①</sup>

### ЕЛЕМЕНТИ ІНСТРУМЕНТА <sup>②</sup>

- A** Фіксатор валу
- B** Гайка патрона
- C** Ключ
- D** Обмежувач глибини свердління
- E** Ручка точної настройки
- F** Ручка точної настройки
- G** Головка обмежника глибини
- H** Регульовальна ручка (обмежувач глибини свердління)
- J** Стопорне важіль
- K** Колесо вибору швидкості
- L** Адаптер пирососу
- M** Курковий перемикач живлення
- N** Аварійний вимикач
- P** Пластина-перехідник
- Q** Направляюча планка
- R** Основна панель
- S** Вентиляційні отвори
- T** Повзуни
- V** Захисна кришка
- W** Фасонний буфер
- Y** Штирі напрямної планки
- Z** Ручка для встановлювання направляючої планки
- AA** Фіксатор напрямної планки

**AB** Гайка направляючої планки

**AC** Вказівник глибини

**AD** Світлодіодний індикатор

## БЕЗПЕКА

### ЗАГАЛЬНІ ВКАЗІВКИ З ТЕХНІКИ БЕЗПЕКИ ПОВОДЖЕННЯ З ЕЛЕКТРОІНСТРУМЕНТАМИ

**⚠ ПОПЕРЕДЖЕННЯ** Уважно вивчіть запобіжні заходи та ілюстрації, а також прочитайте вказівки та технічні умови, що входять в комплект поставки цього електроінструменту. Недотримання нижчеперелічених вказівок у повному обсязі може спричинити ураження електричним струмом, пожежу та / або серйозну травму.

**Добре зберігайте на майбутнє ці попередження і вказівки.**

Під поняттям “електроприлад” в цих попередженнях мається на увазі електроприлад, що працює від мережі (з електрокабелем) або від акумуляторної батареї (без електрокабелю).

#### 1) БЕЗПЕКА НА РОБОЧОМУ МІСЦІ

- а) Прймайте своє робоче місце в чистоті та прибирайте його.** Безлад або погане освітлення на робочому місці можуть призводити до нещасних випадків.
  - б) Не працюйте з приладом у середовищі, де існує небезпека вибуху внаслідок присутності горючих рідин, газів або пилу.** Електроприлади можуть породжувати іскри, від яких може займатися пил або пари.
  - в) Під час працювання з приладом не підпускайте до робочого місця дітей та інших людей.** Ви можете втратити контроль над приладом, якщо Ваша увага буде відвернута.
- #### 2) ЕЛЕКТРИЧНА БЕЗПЕКА
- а) Штепсель приладу повинен пасувати до розетки. Не дозволяється що-небудь міняти в штепселі. Для роботи з приладами, що мають захисне заземлення, не використовуйте адаптери.** Використання оригінального штепселя та належної розетки зменшує ризик удару електричним струмом.
  - б) Унікайте контакт частей тіла із заземленими поверхнями, як напр., трубами, батареями опалення, печами та холодильниками.** Коли Ваше тіло заземлене, існує збільшена небезпека удару електричним струмом.
  - в) Захищайте прилад від дощу та вологи.** Попадання води в електроінструмент збільшує ризик удару електричним струмом.
  - г) Не використовуйте кабель для перенесення приладу, підвішування або витягування штепселя з розетки. Захищайте кабель від жару, олії, гострих країв та деталей приладу, що рухаються.** Пошкоджений або закручений кабель збільшує ризик удару електричним струмом.
  - е) Для зовнішніх робіт обов'язково використовуйте лише такий подовжувач, що допущений для зовнішніх робіт.** Використання подовжувача, що

розрахований на зовнішні роботи, зменшує ризик удару електричним струмом.

- f) **Якщо не можна запобігти використанню електроприладу у вологому середовищі, використовуйте пристрій захисту від витоків в землю.** Використання зростою захисту від витоків в землю зменшує ризик удару електричним струмом.
- 3) БЕЗПЕНА ЛЮДЕЙ**
- a) **Будьте уважними, слідкуйте за тим, що Ви робите, та розсудливо поведіться під час роботи з електроприладом. Не користуйтеся приладом, якщо Ви стомлені або знаходитесь під дією наркотиків, спиртних напоїв або лік.** Мить неуважності при користуванні приладом може призводити до серйозних травм.
- b) **Вдягайте особисте захисне спорядження та обов'язково вдягайте захисні окуляри.** Вдягання особистого захисного спорядження, як напр., - в залежності від виду робіт - захисної маски, спецвзуття, що не ковзається, каски або навушників, зменшує ризик травм.
- c) **Уникайте ненавмисного вмикання. Перш ніж вмикати електроприлад в електромережу або встромляти акумуляторну батарею, брати його в руки або переносити, впевніться в тому, що електроприлад вимкнений.** Тримання пальця на вимикачі під час перенесення електроприладу або встромляння в розетку увімкненого приладу може призводити до травм.
- d) **Перед тим, як вмикати прилад, приборіть налагоджувальні інструменти та гайковий ключ.** Знаходження налагоджувального інструмента або ключа в деталі, що обертається, може призводити до травм.
- e) **Не переоцінюйте себе. Зберігайте стійке положення та завжди зберігайте рівновагу.** Це дозволить Вам краще зберігати контроль над приладом у несподіваних ситуаціях.
- f) **Вдягайте придатний одяг. Не вдягайте просторий одяг та прикраси. Не підставляйте волосся й одяг до деталей, що рухаються.** Просторий одяга, прикраси та довге волосся можуть попадати в деталі, що рухаються.
- g) **Якщо існує можливість монтувати пилівідсмоктувальні або пилоуловлювальні пристрої, переконайтеся, щоб вони були добре під'єднані та правильно використовувалися.** Використання пилівідсмоктувального пристрою може зменшити небезпеки, зумовлені пилом.
- h) **Добре знання електроінструментів, отримане в результаті частого їх використання, не повинно призводити до самовпевненості й ігнорування принципів техніки безпеки.** Необережна дія може в одну мить призвести до важкої травми.
- 4) ПРАВИЛЬНЕ ПОВЕДІННЯ ТА КОРИСТУВАННЯ ЕЛЕКТРОПРИЛАДАМИ**
- a) **Не перевантажуйте прилад. Використовуйте такий прилад, що спеціально призначений для певної роботи.** З придатним приладом Ви з меншим ризиком отримаєте кращі результати роботи, якщо будете працювати в зазначеному діапазоні потужності.
- b) **Не користуйтеся приладом з пошкодженим**

**вимикачем.** Прилад, який не можна увімкнути або вимкнути, є небезпечним і його треба відремонтувати.

- c) **Перед тим, як регулювати що-небудь на приладі, міняти приладдя або ховати прилад, витягніть штепсель із розетки та/або витягніть акумуляторну батарею, якщо вона знімається.** Ці попереджувальні заходи з техніки безпеки зменшують ризик ненавмисного запуску приладу.
- d) **Зберігайте електроприлади, якими Ви саме не користуєтесь, далеко від дітей.** Не дозволяйте користуватися електроприладом особам, що не знайомі з його роботою або не читали ці вказівки. У разі застосування недосвідченими особами прилади несуть в собі небезпеку.
- e) **Старанно доглядайте за електроінструментами і приладдям. Перевірте, щоб рухомі деталі приладу бездоганно працювали та не заїдали, не були поламаними або настільки пошкодженими, щоб це могло вплинути на функціонування приладу. Пошкоджені деталі треба відремонтувати в авторизованій майстерні, перш ніж ними можна знову користуватися.** Велика кількість нещасних випадків спричиняється поганим доглядом за електроприладами.
- f) **Тримайте різальні інструменти добре нагостреними та в чистоті.** Старанно доглянуті різальні інструменти з гострим різальним краєм менше застряють та їх легше вести.
- g) **Використовуйте електроприлади, приладдя до них, робочі інструменти т.і. відповідно до цих вказівок. Беріть до уваги при цьому умови роботи та специфіку виконуваної роботи.** Використання електроприладів для робіт, для яких вони не передбачені, може призводити до небезпечних ситуацій.
- h) **Тримайте рукоятки і поверхні захвату сухими і чистими, слідкуйте, щоб на них не було оливи або густої мастила.** Слизькі рукоятки і поверхні захвату унеможливають безпечне поводження з електроінструментом та його контролювання в неочікуваних ситуаціях.
- 5) СЕРВІС**
- a) **Віддавайте свій прилад на ремонт лише кваліфікованим фахівцям та лише з використанням оригінальних запчастин.** Це забезпечить безпечність приладу на довгий час.

## ПРАВИЛА ТЕХНІКИ БЕЗПЕКИ ДЛЯ ФРЕЗАРОК

- **Тримайте електричний інструмент за ізольовані рукоятки, тому що ніж може може зачепити власний шнур живлення (перерізання дроту під напругою призведе до проходження електричного струму через металеві деталі інструменту та до ураження оператора струмом)**
- **Застосуйте затисначі або інші засоби фіксації та опори виробу на стабільній платформі (затискання виробу руками або з притисканням до тіла робить його нестабільним та може призвести до втрати контролю за інструментом)**

## ЗАГАЛЬНЕ

- Цей інструмент не можна використовувати особам віком до 16 років

- Перед регулюванням або заміною приладдя обов'язково вийміть вилку із сіткової розетки

## АНЕСУАРИ

- SKIL гарантує надійну роботу інструмента тільки при використанні відповідного приладдя
- Використовуйте лише приладдя, припустима швидкість обертання якого як мінімум відповідає найвищій швидкості інструмента без навантаження
- Не користуйтеся деформованими або пошкодженими фрезами
- Використовуйте лише гострі фрези
- Бережіть насадки від ударів, струсів і мастила
- З цим пристроєм використовуйте лише фрези з швидкоріжучої сталі або з твердосплавними наконечниками

## ПЕРЕД ВИКОРИСТАННЯМ

- Не допускайте пошкоджень, які можуть нанести шурпи, цвяхи і інші елементи вашому виробу; видаліть їх перед початком роботи
- Перед роботою перевірте відповідність струму в мережі із струмом, позначені на інструменті
- **Не обробляйте матеріали, що містять асбест** (асбест вважасться канцерогенним)
- Не затискайте інструмент у тисках
- Використовуйте повністю розгорнений шнур подовжувача, який може витримувати навантаження в 16 Ампер
- Рівень шуму при роботі може перевищувати 85 дБ(а); використовуйте навушники
- Пил від таких матеріалів, як свинцовоутримуюча фарба, деякі породи дерева, мінерали й метал, може бути шкідливим (контакт із таким пилом або його вдихання може стати причиною виникнення в оператора або осіб, що перебувають поруч, алергійних реакцій і/або респіраторних захворювань); **надягайте респіратор і працюйте з пиловиділяючим пристроєм під час увімкнення інструмента**
- Деякі види пилу класифікуються як канцерогенні (наприклад, дубовий або буковий пил), особливо в сполученні з добавками для кондиціонування деревини; **надягайте респіратор і працюйте з пиловиділяючим пристроєм під час увімкнення інструмента**
- Слідуйте інструкціям по роботі з матеріалами, продукуючими пил
- Переконайтеся в, тому що інструмент вимкнено, перед тим як підключити його до розетки

## ПІД ЧАС ВИКОРИСТАННЯ

- Не дозволяйте шнуру живлення стикатися з рухомими частинами інструменту; завжди викладайте шнур за задньою частиною інструменту
- Ніколи не користуйтеся пристроєм з пошкодженою основою R ② (захисним огороженням); зверніться до кваліфікованої особи щоб її замінити
- Категорично забороняється користуватися інструментом при пошкодженні електричного шнура; заміна на аналогічний підготовлений шнур повинна проводитися організацією з обслуговування.
- Не тримайте руки і пальці близько до фрези коли пристрій увімкнуто
- Ніколи не перевищуйте максимальну глибину різання фрези при фрезеруванні
- У разі електричної або механічної несправності, негайно відключіть інструмент і вимкніть з розетки
- У випадку блокування фрези, що виявляється різким

- сіпанням пристрою, негайно вимкніть пристрій
- У разі вимкнення струму або випадкового виймання вилки з розетки, негайно вимкніть інструмент, щоб уникнути неконтрольованого вмикання
- Не докладайте на інструмент надмірного зусилля, яке може викликати його заклинювання

## ПІСЛЯ ВИКОРИСТАННЯ

- Після закінчення роботи, відпустіть важіль J ②, відведіть пристрій назад у верхнє стартове положення і вимкніть його

## ПОЯСНЕННЯ ДО УМОВНИХ ПОЗНАЧОК НА ІНСТРУМЕНТІ

- ③ Перед використанням прочитайте інструкцію із застосування
- ④ Подвійна ізоляція (заземлюючий провід не потрібен)
- ⑤ Не викидайте інструмент разом зі звичайним сміттям

## ВИКОРИСТАННЯ

- Монтування і виймання фрез ⑥
- ! вимкніть інструмент та вийміть вилку з розетки ! упевніться, що хвостовик фрези абсолютно чистий**
- ! упевніться, що діаметр цангового патрона (6 мм, 6,35 мм, 8 мм) відповідає діаметру хвостовика фрези**
  - переверніть інструмент догори дном
  - щоб заблокувати вал, натисніть фіксатор валу А (якщо необхідно, поверніть гайку патрона В) і утримуйте його поки Ви

### ДЛЯ МОНТУВАННЯ:

- ослабте гайку патрона В за допомогою ключа С
- вставте біт з невеликою відстанню х в патрон ⑦
- міцно затягніть гайку патрона за допомогою ключа С
- відпустіть фіксатор валу А

### ДЛЯ ВИЙМАННЯ:

- ослабте гайку патрона В за допомогою ключа С
- вийміть фрезу
- відпустіть фіксатор валу А
- ! щоб послабити фрезу, іноді треба стукнути по верхній частині фрези за допомогою молотка; для захисту фрези використовується дерев'яний брусок**
- ! ніколи не затягуйте гайку патрона якщо у цанговому патроні немає фрези; можна пошкодити патрон**

- Заміна патронів ⑦
- ! вимкніть інструмент та вийміть вилку з розетки ! упевніться, що вал цангового патрона абсолютно чистий**
  - ослабте гайку патрона В на 2-3 оберти
  - постукайте по гайці патрона В ключем С
  - зніміть гайку патрона В і цанговий патрон (заблокуйте вал)
  - переверніть інструмент догори дном
  - вставте новий цанговий патрон у вал цанги
  - встановіть гайку патрона В (заблокований вал)
- ! ніколи не затягуйте гайку патрона якщо у цанговому патроні немає фрези; можна пошкодити патрон**
- Регулювання глибини фрезерування ⑧
- ! вимкніть інструмент та вийміть вилку з розетки**
  - встановіть ручку точної настройки в її центральне

положення, повернувши ручку Е до кінця, а потім поверніть назад на 4 повних оберти й встановіть на шкалі F 0 ⑧a

- поверніть головку G в крайнє нижнє положення таким чином, щоб вона встановилася з кляцанням відразу під глибиноміром D (для встановлення на нуль) ⑧b
- ослабте ручку H, щоб глибиномір D опустився на головку обмежувача глибини G ⑧b
- розташуйте інструмент на виробі
- відпустіть стопорний важіль J ⑧c
- натисніть на пристрій вниз так, щоб фреза торкнулася оброблюваної деталі ⑧d
- відпустіть і затягніть стопорний важіль J ⑧e
- перемістіть вказівник глибини AC в положення 0 мм ⑧ f
- підніміть глибиномір D на потрібну висоту фрезерування і затягніть ручку H ⑧f
- відпустіть стопорний важіль J і відведіть знову інструмент догори
- за допомогою ручки точної настройки Е можна точніше відрегулювати глибину (0 ± 8 мм); відмітки на шкалі F відповідають 0,1 мм, тому 1 повний оберт відповідає 2,0 мм
- за допомогою головки обмежувача глибини G глибину фрезерування можна покроково збільшити (рекомендується для глибокх розрізів)

**! після заміни фрези глибину фрезерування слід відрегулювати наново**

- Регулятор швидкості ⑨  
Для отримання оптимальних результатів фрезерування різних матеріалів
  - вибирайте швидкість фрезерування за допомогою коліщати K (також і під час роботи пристрою)
  - використовуйте таблицю ⑩ як довідник для визначення правильної швидкості фрезерування
  - перш ніж почати роботу, знайдіть оптимальну швидкість шляхом випробування на непотрібному матеріалі

**! після довгих періодів роботи на малій швидкості дайте пристроєві охолонути при роботі на високій швидкості без навантаження приблизно 3 хвилини**

- Світлодіодний індикатор AD ⑪  
Світлодіодний індикатор AD загоряється автоматично при вклученні перемикача M
- Пиловловлювання
  - встановіть адаптер для пилевсмоктувача L так, як показано на малюнку ⑫a
  - підключить шланг пилососа до адаптеру пилососа L ⑫b

- Використання інструменту ⑬  
**! завжди міцно тримайте пристрій обома руками**  
**! під час роботи, завжди тримайте інструмент за частини захвату сірого кольору**
  - розташуйте інструмент на виробі
  - увімкніть інструмент, спочатку натиснувши ручку N (= аварійний вимикач, який не можна вимкнути), а потім потягнувши за тригер M

**! перш ніж фреза торкнеться деталі, пристрій повинен працювати на повній швидкості**

- відпустіть стопорний важіль J і повільно опустіть інструмент, щоб глибиномір D торкнувся головки обмежувача глибини G
- затягніть стопорний важіль J
- виконайте процес фрезерування з рівномірною подачею пристрою
- використовуйте пристрій таким чином, щоб його основа гласко прилягала до деталі
- як правило, потрібно тягнути пристрій на себе, а не штовхати його
- після закінчення роботи, відпустіть важіль J і відведіть пристрій назад у верхнє стартове положення
- відпустити гачок M
- Наложне ведення пристрою ⑭
  - пам'ятайте, що фреза обертається за годинниковою стрілкою
  - ведіть пристрій таким чином, щоб фреза оберталася назустріч деталі, а не від неї
- Монтування пластини-перехідника P (для копіювання за шаблоном) ⑮
- Монтування напрямної планки Q ⑯
  - вставте штири напрямної планки Y в отвори основи R
  - відрегулюйте напрямну планку на потрібну ширину і закріпіть її за допомогою двох ручок Z
- Використання напрямної планки як циркулярного напрямника ⑰

**! спочатку перевірте напрямну планку**

- закріпіть шпильку AA за допомогою гайки AB, як показано на ілюстрації
- вставте штирі Y в основу R
- проколить шпилькою AA позначений центр кола
- закріпіть напрямну планку двома ручками Z
- ведіть пристрій з рівномірною подачею по деталі, що обробляється
- Використання напрямної планки з фасонним буфером W ⑱
  - встановіть фасонний буфер W (з встановленим напрямним роликом) як показано на рисунку
  - ведіть пристрій вздовж краю деталі з легким натиском вбік

## ПОРАДИ ПО ВИКОРИСТАННЮ

- Для прорізів, паралельних з краєм деталі, використовуйте напрямну планку
- Для виконання паралельних прорізів далеко від краю деталі ⑲
  - закріпіть прямий брусок дерева на деталі за допомогою двох струбцин
  - ведіть пристрій основою вздовж краю бруска, який у цьому випадку служить як напрямна планка
- При використанні фрез з напрямником або шарикоїдичником, такий напрямник або шарикоїдичник повинні ковзати краєм деталі, який повинен бути абсолютно гладеньким ⑲
- Для більших глибин фрезерування рекомендується проводити кілька повторних проходів з невеликим заглибленням кожного разу
- Дивіться додаткову інформацію на сайті [www.skil.com](http://www.skil.com)

## ΔΟΓΛΑΔ/ΟΒΣΛΟΥΒΑΝΝΑ

- Цей інструмент не придатний для промислового використання
- Завжди тримайте інструмент та його шнур в чистоті (особливо вентиляційні отвори S ②)
- Час від часу змащуйте по вузлу T ②
- Якщо незважаючи на ретельну технологію виготовлення і перевірки інструмент все-таки вийде з ладу, його ремонт дозволяється виконувати лише в авторизованій сервісній майстерні для електроприладів SKIL
  - надішліть **нерозібраний** інструмент разом з доказом купівлі до Вашого дилера або до найближчого центру обслуговування SKIL (адреси, а також діаграма обслуговування пристрою, подаються на сайті [www.skil.com](http://www.skil.com))
- Візьміть до відома, що ушкодження внаслідок перевантаження або неналежного поводження з інструментом не будуть включені в гарантію (умови гарантії SKIL див. на сайті [www.skil.com](http://www.skil.com) або довідайтеся в дилера у Вашому регіоні)

## ΟΧΟΡΟΝΑ ΝΑΒΚΟΛΙΣΗΝΩΪ ΣΕΡΕΔΙ

- **Не викидайте електродіагност, принадлежності та упаковку разом зі звичайним сміттям** (тільки для країн ЄС)
  - відповідно до європейської директиви 2012/19/ЄС щодо утилізації старих електричних та електронних приладів, в залежності з місцевим законодавством, електродіагност, який перебував в експлуатації повинен бути утилізований окремо, безпечно для навколишнього середовища шляхом
  - малюнок ⑤ нагадає вам про це

## ΣΗΜ / ΒΙΒΡΑΤΣΙΑ

- За вимірами відповідно до EN 60745 рівень звукового тиску цього інструменту становлює 91,0 дБ(A) та рівень потужності звуку дорівнює 102,0 дБ(A) (коефіцієнт недостовірності K = 3 дБ), а вібрація 4,5 м/с<sup>2</sup> (трисенційна векторна сума; коефіцієнт недостовірності K = 1,5 м/с<sup>2</sup>)
- Рівень вібрації було виміряно у відповідності зі стандартизованим випробуванням, що міститься в EN 60745; дана характеристика може використовуватися для порівняння одного інструмента з іншим, а також для попередньої оцінки впливу вібрації під час застосування даного інструмента для вказаних цілей
  - при використанні інструмента в інших цілях або з іншими/несправними допоміжними пристосуваннями рівень впливу вібрації може значно **підвищуватися**
  - у періоди, коли інструмент вимкнений або функціонує без фактичного виконання роботи, рівень впливу вібрації може значно **знижуватися**
- ! **захщайте себе від впливу вібрації, підтримуючи інструмент і його допоміжні пристосування в справному стані, підтримуючи руки в теплі, а також правильно огранізуючи свій робочий процес**

GR

## Ρουτερ

1860

## ΕΙΣΑΓΩΓΗ

- Το εργαλείο προορίζεται για το φρεζάρισμα αυλακώσεων, ακμών, διατομών και επιμηκών οπών σε ξύλο, πλαστικά και ελαφρά δομικά υλικά καθώς και για φρεζαρίσματα αντιγραφής (από πατρόν)
- Αυτό το εργαλείο δεν προορίζεται για επαγγελματική χρήση
- Διαβάστε και φυλάξτε αυτές τις οδηγίες χρήσεως ③

## ΤΕΧΝΙΚΑ ΧΑΡΑΚΤΗΡΙΣΤΙΚΑ ①

### ΜΕΡΗ ΤΟΥ ΕΡΓΑΛΕΙΟΥ ②

- A** Ασφάλεια του άξονα
- B** Παξιμάδι μηχανισμού σύσφιξης
- C** Κλειδί
- D** Δείκτης βάθους
- E** Διακόπτης ρύθμισης ακριβείας
- F** Κλίμακα μικρορύθμισης
- G** Περιστερόμορφο ρυθμιστή
- H** Κομπι ρύθμισης (μετρητής βάθους)
- J** Μοχλός ασφάλισης
- K** Τροχίσκος επιλογής ταχύτητας
- L** Προσαρμοστικό της ηλεκτρικής σκούπας
- M** Σκανδάλη εκκίνησης/στάσης
- N** Διακόπτης ασφαλείας
- P** Πλάκα προσαρμογής
- Q** Οδηγός παράλληλης κοπής
- R** Πλάκα βάσης
- S** Σχισμές αερισμού
- T** Ράβδοι ολισθησης
- V** Προστατευτικό κάλυμμα
- W** Αποσβεστήρας καμπίλης
- Y** Ράβδοι οδήγησης παράλληλης κοπής
- Z** Πεταλούδα ρύθμισης οδηγού παράλληλης κοπής
- AA** Πείρος οδηγού παράλληλης κοπής
- AB** Παξιμάδι οδηγού παράλληλης κοπής
- AC** Δείκτης βάθους
- AD** Λαμπάκι LED

## ΑΣΦΑΛΕΙΑ

### ΓΕΝΙΚΕΣ ΥΠΟΔΕΙΞΕΙΣ ΑΣΦΑΛΕΙΑΣ ΓΙΑ ΗΛΕΚΤΡΙΚΑ ΕΡΓΑΛΕΙΑ

**⚠ ΠΡΟΕΙΔΟΠΟΙΗΣΗ Διαβάστε όλες τις προειδοποιήσεις ασφαλείας καθώς και τις οδηγίες, εικόνες και προδιαγραφές που παρέχονται με αυτό το ηλεκτρικό εργαλείο.** Αμέλεια τήρησης όλων των οδηγιών που παρατίθενται παρακάτω μπορεί να προκαλέσει ηλεκτροπληξία, πυρκαγιά ή/και σοβαρό τραυματισμό.

Φυλάξτε όλες τις υποδείξεις ασφαλείας και τις οδηγίες για το μέλλον.

Ο ορισμός “ηλεκτρικό εργαλείο” που χρησιμοποιείται στις

προειδοποιητικές υποδείξεις αναφέρεται σε ηλεκτρικά εργαλεία που τροφοδοτούνται από το ηλεκτρικό δίκτυο (με ηλεκτρικό καλώδιο) καθώς και σε ηλεκτρικά εργαλεία που τροφοδοτούνται από μπαταρία (χωρίς ηλεκτρικό καλώδιο).

#### 1) ΑΣΦΑΛΕΙΑ ΣΤΟ ΧΩΡΟ ΕΡΓΑΣΙΑΣ

- a) **Διατηρέστε το χώρο που εργάζεσθε καθαρό και καλά φωτισμένο.** Αταξία στο χώρο που εργάζεσθε ή μη φωτισμένες περιοχές εργασίας μπορεί να οδηγήσουν σε ατυχήματα.
- b) **Μην εργάζεσθε με το ηλεκτρικό εργαλείο σε περιβάλλον που υπάρχει κίνδυνος έκρηξης, στο οποίο υπάρχουν εύφλεκτα υγρά, αέρια ή σκόνη.** Τα ηλεκτρικά εργαλεία μπορεί να δημιουργήσουν σπινθηρισμό ο οποίος μπορεί να αναφλέξει τη σκόνη ή τις αναθυμιάσεις.
- c) **Όταν χρησιμοποιείτε το ηλεκτρικό εργαλείο κρατάτε τα παιδιά και άλλα τυχόν πρόσωπα μακριά από το χώρο που εργάζεσθε.** Σε περίπτωση που άλλα άτομα αποσπάσουν την προσοχή σας μπορεί να χάσετε τον έλεγχο του μηχανήματος.

#### 2) ΗΛΕΚΤΡΙΚΗ ΑΣΦΑΛΕΙΑ

- a) **Το φως του καλωδίου του ηλεκτρικού εργαλείου πρέπει να ταιριάζει στην αντίστοιχη πρίζα. Δεν επιτρέπεται με κανέναν τρόπο η μετασκευή του φως.** Μη χρησιμοποιείτε προσαρμοστικά φως σε συνδυασμό με ηλεκτρικά εργαλεία συνδεδεμένα με τη γη (γειωμένα). Αθικτα φως και κατάλληλες πρίζες μειώνουν τον κίνδυνο ηλεκτροπληξίας.
  - b) **Αποφεύγετε την επαφή του σώματος σας με γειωμένες επιφάνειες όπως σωλήνες, θερμαντικά σώματα (καλοριφέρ), κουζίνες και ψυγεία.** Όταν το σώμα σας είναι γειωμένο αυξάνεται ο κίνδυνος ηλεκτροπληξίας.
  - c) **Μην εκθέτετε το ηλεκτρικό εργαλείο στη βροχή ή την υγρασία.** Η διείσδυση νερού στο ηλεκτρικό εργαλείο αυξάνει τον κίνδυνο ηλεκτροπληξίας.
  - d) **Μη χρησιμοποιείτε το καλώδιο για να μεταφέρετε ή ν' αναρτήσετε το ηλεκτρικό εργαλείο ή για να βγάλετε το φως από την πρίζα. Κρατάτε το καλώδιο μακριά από υψηλές θερμοκρασίες, λάδια, κοφτερές ακμές ή κινούμενα εξαρτήματα.** Τυχόν χαλασμένα ή μπερδεμένα καλώδια αυξάνουν τον κίνδυνο ηλεκτροπληξίας.
  - e) **Όταν εργάζεσθε με το ηλεκτρικό εργαλείο στο ύπαιθρο χρησιμοποιείτε πάντοτε καλώδια επιμήκυνσης (μπαλαντάδες) που έχουν εγκριθεί για χρήση σε εξωτερικούς χώρους.** Η χρήση καλωδίων επιμήκυνσης εγκριμένων για εργασία σε εξωτερικούς χώρους μειώνει τον κίνδυνο ηλεκτροπληξίας.
  - f) **Όταν η χρήση του ηλεκτρικού εργαλείου σε υγρό περιβάλλον είναι αναπόφευκτη, τότε χρησιμοποιήστε έναν προστατευτικό διακόπτη διαρροής ελαττώνει τον κίνδυνο ηλεκτροπληξίας.**
- #### 3) ΑΣΦΑΛΕΙΑ ΠΡΟΣΩΠΩΝ
- a) **Να είσθε πάντοτε προσεκτικός/προσεκτική, να δίνετε προσοχή στην εργασία που κάνετε και να χειρίζεστε το ηλεκτρικό εργαλείο με περίσκεψη. Μην κάνετε χρήση του ηλεκτρικού εργαλείου όταν είσθε κουρασμένος/κουρασμένη ή όταν βρίσκεσθε υπό την επιρροή ναρκωτικών, οινοπνεύματος ή φαρμάκων.** Μια στιγμιαία απροσεξία κατά το χειρισμό του ηλεκτρικού εργαλείου μπορεί να οδηγήσει σε σοβαρούς τραυματισμούς.
  - b) **Φοράτε προστατευτικά ενδύματα και πάντοτε προστατευτικά γυαλιά.** Όταν φοράτε ενδύματα ασφαλείας, ανάλογα με το υπό χρήση ηλεκτρικό εργαλείο, όπως προσωπίδα προστασίας από σκόνη, αντιολισθητικά παπούτσια ασφαλείας, κράνη ή ωτασπίδες, μειώνεται ο κίνδυνος τραυματισμών.
  - c) **Αποφεύγετε την αθέλητη εκκίνηση. Βεβαιωθείτε ότι το ηλεκτρικό εργαλείο έχει αποσυνχτεί πριν το συνδέσετε με το ηλεκτρικό δίκτυο ή/και με την μπαταρία καθώς και πριν το παραλάβετε ή το μεταφέρετε.** Όταν μεταφέρετε το ηλεκτρικό εργαλείο έχοντας το δαχτυλό σας στο διακόπτη ή όταν συνδέσετε το μηχανήμα με την πηγή ρεύματος όταν αυτό είναι ακόμη συζευγμένο, τότε δημιουργείται κίνδυνος τραυματισμών.
  - d) **Αφαιρείτε από τα ηλεκτρικά εργαλεία πριν τα θέσετε σε λειτουργία τυχόν συναρμολογημένα χρησιμοποιήσιμα εργαλεία ή κλειδιά.** Ενα εργαλείο ή κλειδί συναρμολογημένο στο περιστρεφόμενο εξάρτημα ενός ηλεκτρικού εργαλείου μπορεί να οδηγήσει σε τραυματισμούς.
  - e) **Μην υπερκτιμάτε τον εύλογο σας. Φροντίζετε για την ασφαλή στήριξη του σώματος σας και διατηρείτε πάντοτε την ισορροπία σας.** Αυτό σας επιτρέπει τον καλύτερο έλεγχο το ηλεκτρικού εργαλείου σε περιπτώσεις απροσδόκητων καταστάσεων.
  - f) **Φοράτε κατάλληλη ενδυμασία εργασίας. Μη φοράτε φαρδιά ρούχα ή κοσμήματα. Κρατάτε τα μαλλιά και τα ρούχα σας μακριά από κινούμενα εξαρτήματα.** Χαλαρή ενδυμασία, κοσμήματα και μακριά μαλλιά μπορεί να εμπλακούν στα κινούμενα εξαρτήματα.
  - g) **Αν υπάρχει η δυνατότητα συναρμολόγησης διατάξεων αναρρόφησης ή συλλογής σκόνης, βεβαιωθείτε αν οι διατάξεις αυτές είναι συνδεδεμένες καθώς κι αν χρησιμοποιούνται σωστά.** Η χρήση μιας αναρρόφησης σκόνης μπορεί να ελαττώσει τον κίνδυνο που προκαλείται από τη σκόνη.
  - h) **Μην εφησυχάζετε σε μια λάθος ασφάλεια και μην αφήσετε τους κανόνες ασφαλείας για τα ηλεκτρικά εργαλεία, ακόμα και όταν μετά από συχνή χρήση είστε εξοικειωμένοι με το εργαλείο.** Ένας απρόσεκτος χειρισμός μπορεί μέσα σε κλάσματα του δευτερολέπτου να οδηγήσει σε σοβαρούς τραυματισμούς.
- #### 4) ΧΡΗΣΗ ΚΙ ΕΠΙΜΕΛΗΣ ΧΕΙΡΙΣΜΟΣ ΤΩΝ ΗΛΕΚΤΡΙΚΩΝ ΕΡΓΑΛΕΙΩΝ
- a) **Μην υπερφορτώνετε το ηλεκτρικό εργαλείο. Χρησιμοποιείτε για την εκάστοτε εργασία σας το ηλεκτρικό εργαλείο που προορίζεται γι' αυτήν.** Με το κατάλληλο ηλεκτρικό εργαλείο εργάζεσθε καλύτερα και ασφαλέστερα στην αναφερόμενη περιοχή ισχύος.
  - b) **Μη χρησιμοποιήσετε ποτέ ένα ηλεκτρικό εργαλείο του οποίου ο διακόπτης ON/OFF είναι χαλασμένος.** Ενα ηλεκτρικό εργαλείο το οποίο δεν μπορεί να τερθεί πλέον σε ή εκτός λειτουργίας είναι επικίνδυνο και πρέπει να επισκευαστεί.
  - c) **Τραβήξτε το φως από την πρίζα και/ή απομακρύνετε μια αποσπώμενη μπαταρία, προτού**



εκτελέσετε ρυθμίσεις στο ηλεκτρικό εργαλείο, προτού αλλάξετε εξαρτήματα ή φυλάξετε το ηλεκτρικό εργαλείο. Αυτά τα προληπτικά μέτρα ασφαλείας μειώνουν τον κίνδυνο από τυχόν αθέλητη εκκίνηση του ηλεκτρικού εργαλείου.

- d) **Διαφυλάγετε τα ηλεκτρικά εργαλεία που δε χρησιμοποιείτε μακριά από παιδιά. Μην αφήνετε άτομα που δεν είναι εξοικειωμένα με το ηλεκτρικό εργαλείο ή δεν έχουν διαβάσει αυτές τις οδηγίες χρήσης να το χρησιμοποιήσουν.** Τα ηλεκτρικά εργαλεία είναι επικίνδυνα όταν χρησιμοποιούνται από άπειρα πρόσωπα.
- e) **Φροντίζετε τα ηλεκτρικά εργαλεία και τα εξαρτήματά με επιμέλεια. Ελέγχετε, αν τα κινούμενα εξαρτήματα λειτουργούν άψογα, χωρίς να μπλοκάρουν, ή μήπως έχουν σπάσει ή φθαρεί τυχόν εξαρτήματα τα οποία επηρεάζουν τον τρόπο λειτουργίας του ηλεκτρικού εργαλείου. Δώστε αυτά τα χαλασμένα εξαρτήματα για επισκευή πριν τα ξαναχρησιμοποιήσετε.** Η κακή συντήρηση των ηλεκτρικών εργαλείων αποτελεί αιτία πολλών ατυχημάτων.
- f) **Διατηρείτε τα κοπτικά εργαλεία κοφτερά και καθαρά.** Τα κοπτικά εργαλεία που συντηρούνται με προσοχή μπορούν να οδηγηθούν εύκολα και να ελεγχθούν καλύτερα.
- g) **Χρησιμοποιείτε τα ηλεκτρικά εργαλεία, τα εξαρτήματα, τα χρησιμοποιήσιμα εργαλεία κτλ. σύμφωνα με τις παρούσες οδηγίες καθώς. Λαμβάνετε ταυτόχρονα υπόψη σας τις συνθήκες εργασίας και την υπό εκτέλεση εργασία.** Η χρήση του ηλεκτρικού εργαλείου για άλλες εκτός από τις προβλεπόμενες εργασίες μπορεί να δημιουργήσει επικίνδυνες καταστάσεις.
- h) **Διατηρείτε τις λαβές και επιφάνειες λαβής στεγνές, καθαρές και ελεύθερες από λάδι και γράσο.** Οι ολισθηρές λαβές και επιφάνειες λαβής δεν επιτρέπουν κανέναν ασφαλή χειρισμό και έλεγχο του ηλεκτρικού εργαλείου σε τυχόν απόβλεπτες καταστάσεις.
- 5) **ΣΕΡΒΙΣ**
- a) **Δίνετε το ηλεκτρικό σας εργαλείο για επισκευή από άριστα ειδικευμένο προσωπικό, μόνο με γνήσια ανταλλακτικά.** Έτσι εξασφαλίζεται η διατήρηση της ασφάλειας του ηλεκτρικού εργαλείου.

## ΥΠΟΔΕΙΞΕΙΣ ΑΣΦΑΛΕΙΑΣ ΓΙΑ ΡΟΥΤΕΡ

- **Κρατήστε το ηλεκτρικό εργαλείο από τις μονωμένες επιφάνειες συγκράτησης, καθώς ο μηχανισμός κοπής μπορεί να έρθει σε επαφή με το καλώδιό του** (το κόψιμο ενός ηλεκτροφόρου καλωδίου ενδέχεται να κάνει ηλεκτροφόρα τα εκτεθειμένα μεταλλικά μέρη του ηλεκτρικού εργαλείου και να προκαλέσει ηλεκτροπληξία στον χειριστή)
- **Χρησιμοποιήστε σφιγκτήρες ή άλλο πρακτικό μέσο για να στερεώσετε και να υποστηρίξετε το κομμάτι εργασίας σε ευσταθή πλατφόρμα** (αν κρατάτε το κομμάτι εργασίας με το χέρι ή πάνω στο σώμα σας, αυτό δεν σταθεροποιείται και υπάρχει κίνδυνος απώλειας του ελέγχου)

## ΓΕΝΙΚΑ

- Αυτό το εργαλείο δεν πρέπει να χρησιμοποιείται από άτομα κάτω των 16 ετών

- Πάντα να αποσυνδέεται την πρίζα από το ηλεκτρικό δίκτυο πριν κάνετε κάποια ρύθμιση ή αλλάξετε εξάρτημα

## ΕΞΑΡΤΗΜΑΤΑ

- Η SKIL εγγυάται την τέλεια λειτουργία του εργαλείου μόνο όταν χρησιμοποιούνται αυθεντικά εξαρτήματα
- Χρησιμοποιείτε μόνο εξαρτήματα των οποίων ο ύψιστος επιτρεπτός αριθμός στροφών είναι τουλάχιστον τόσο υψηλός, όσο ο ύψιστος αριθμός στροφών χωρίς φορτίο του εργαλείου
- Μην χρησιμοποιείτε ελαττωματικά ή παραμορφωμένα κοπτικά εργαλεία
- Να χρησιμοποιείτε μόνο αιχμηρά κοπτικά εργαλεία
- Προστατέψτε τα εξαρτήματα από κραδασμούς, δονήσεις και γράσα
- Με το εργαλείο αυτό να χρησιμοποιείτε μόνο κοπτικά εργαλεία από ταχυχάλυβα (HSS) ή με άκρο από καρβίδιο (CT)

## ΠΡΙΝ ΑΠΟ ΤΗ ΧΡΗΣΗ

- Προφυλάξτε το εργαλείο από τυχόν φθορές από ξένα σώματα (βίδες, καρφιά ή άλλα) που ίσως είναι μέσα στο κομμάτι που θα δουλέψετε - αφαιρέστε τα πριν αρχίσετε την εργασία
- Βεβαιωθείτε ότι η τάση του παρεχόμενου ρεύματος είναι ίδια με την τάση που υποδεικνύεται στην πινακίδα δεδομένων του εργαλείου
- **Μην κατεργάζεστε υλικά που περιέχουν αμιάντο** (το αμιάντο θεωρείται σαν καρκινογόνο υλικό)
- Μην σφίγγετε το εργαλείο σε μέγγηση
- Χρησιμοποιείτε ασφαλείς, τελείως ξετυλιγμένες προεκτάσεις καλωδίου με χωρητικότητα 16 Amps
- Η ηχητική στάθμη κατά την εργασία ενδέχεται να ξεπεράσει τα 85 dB(A) - γι' αυτό θα πρέπει να φοράτε προστασία ακοής
- Η σκόνη από υλικά όπως μογογιές που περιέχουν μόλυβδο, ορισμένα είδη ξύλου, ανόργανα στοιχεία και μέταλλα μπορεί να είναι επιβλαβής (η επαφή ή η εισπνοή της σκόνης μπορεί να προκαλέσει αλλεργικές αντιδράσεις ή/και αναπνευστικές ασθένειες στον χειριστή ή σε άτομα που παρίστανται) - **να φοράτε προσωπίδα προστασίας από τη σκόνη και να εργάζεστε με συσκευή αφαίρεσης σκόνης όταν είναι δυνατό**
- Ορισμένα είδη σκόνης ταξινομούνται ως καρκινογόνα (όπως η σκόνη από τη δρυ ή την οξιά) ιδιαίτερα σε συνδυασμό με πρόσθετα συντήρησης ξύλου - **να φοράτε προσωπίδα προστασίας από τη σκόνη και να εργάζεστε με συσκευή αφαίρεσης σκόνης όταν είναι δυνατό**
- Ακολουθήστε τις σχετικές με σκόνη εθνικές διατάξεις για τα υλικά που θέλετε να εργαστείτε
- Βεβαιωθείτε ότι το εργαλείο είναι σβησμένο όταν συνδέεται στην πρίζα

## ΚΑΤΑ ΤΗ ΧΡΗΣΗ

- Να κρατάτε πάντα το καλώδιο μακριά από τα κινούμενα μέρη του εργαλείου σας - κρατάτε το καλώδιο προς τα πίσω, μακριά από το εργαλείο
- Ποτέ μη χρησιμοποιείτε το εργαλείο όταν έχει υποστεί βλάβη ή βάση R ② (= προφυλακτήρας). Θα πρέπει να αντικατασταθεί από έναν εξειδικευμένο τεχνίτη
- Ποτέ μην χρησιμοποιείτε το εργαλείο όταν το καλώδιο είναι φθαρμένο. Θα πρέπει να αντικατασταθεί από ειδικά προετοιμασμένο καλώδιο το οποίο υπάρχει διαθέσιμο στο δίκτυο εξυπηρέτησης.
- Προσοχή να κρατάτε τα χέρια και τα δάκτυλά σας μακριά από το κοπτικό εργαλείο όταν το εργαλείο

λειτουργεί

- Ποτέ μην υπερβείτε το μέγιστο βάθος κοπής του κοπτικού εργαλείου κατά την εργασία
- Σε περίπτωση ηλεκτρικής ή μηχανικής δυσλειτουργίας, σταματήστε αμέσως το εργαλείο και βγάλτε το από την πρίζα
- Σε περίπτωση που μπλοκάρει τό κοπτικό εργαλείο, με αποτέλεσμα να "κλωτσάει" το εργαλείο, σβήστε αμέσως το εργαλείο
- Σε περίπτωση που διακοπεί το ρεύμα ή βγει το φως από την πρίζα, θέστε αμέσως εκτός λειτουργίας το εργαλείο για να αποφύγετε την ανεξέλεγκτη επανεκκίνησή του
- Μην ασκείτε τόση μεγάλη δύναμη στο εργαλείο ώστε να σταματήσει να κινείται

#### ΜΕΤΑ ΤΗ ΧΡΗΣΗ

- Όταν τελειώσετε την εργασίας σας ξεσφίξτε το μοχλό J ②, επαναφέρετε το εργαλείο στην αρχική του θέση και σταματήστε το εργαλείο σας

#### ΕΠΕΞΗΓΗΣΗ ΤΩΝ ΣΥΜΒΟΛΩΝ ΣΤΟ ΕΡΓΑΛΕΙΟ

- ③ Διαβάστε το εγχειρίδιο οδηγιών πριν από τη χρήση
- ④ Διπλή μόνωση (δεν απαιτείται καλώδιο γείωσης)
- ⑤ Μην πετάτε το εργαλείο στον κάδο οικιακών απορριμμάτων

#### ΧΡΗΣΗ

- Πως να αφαιρέτε/τοποθετείτε τα κοπτικά εργαλεία ⑥  
**! σβήστε το εργαλείο και βγάλτε το φως από την πρίζα**

**! βεβαιωθείτε ότι ο άξονας του κοπτικού εργαλείου είναι απόλυτα καθαρός**

**! βεβαιωθείτε ότι η διάμετρος της φωλιάς (6 mm, 6,35 mm, 8 mm) ταιριάζει με τη διάμετρο του άξονα του κοπτικού εργαλείου**

- αναποδογυρίστε το εργαλείο
- ασφαλίστε τον άξονα σπρώχνοντας την ασφάλεια A (περιστρέψτε το παξιμάδι της φωλιάς B, εάν αυτό είναι απαραίτητο) και κρατήστε το στην θέση αυτή ενώ κάνετε τα ακόλουθα

#### ΓΙΑ ΝΑ ΤΟΠΟΘΕΤΗΣΕΤΕ:

- ξεσφίξτε το παξιμάδι της φωλιάς B με το κλειδί C
- τοποθετήστε τη μύτη με λίγο μπόσικο x στη φωλιά ⑦
- σφίξτε το παξιμάδι της φωλιάς καλά με το κλειδί C
- απελευθερώστε, τέλος, την ασφάλεια A του άξονα

#### ΓΙΑ ΝΑ ΑΦΑΙΡΕΣΕΤΕ:

- ξεσφίξτε το παξιμάδι της φωλιάς B με το κλειδί C
- αφαιρέστε το κοπτικό εργαλείο
- απελευθερώστε, τέλος, την ασφάλεια A του άξονα

**! για να λασκάρετε το κοπτικό εργαλείο, ενδέχεται να χρειαστεί να κτυπήσετε από επάνω το κοπτικό εργαλείο με σφυρί και ένα κομμάτι ξύλο για να μην τραυματίσετε το εργαλείο**

**! ποτέ μην σφίγγετε το παξιμάδι εάν δεν υπάρχει κοπτικό εργαλείο μέσα στη φωλιά - η φωλιά μπορεί να αχρηστευθεί**

- Αλλαγή μηχανισμών σύσφιξης ⑦

**! σβήστε το εργαλείο και βγάλτε το φως από την πρίζα**

**! βεβαιωθείτε ότι ο άξονας της φωλιάς είναι απόλυτα καθαρός**

- ξεσφίξτε το παξιμάδι της φωλιάς B κατά 2 ή 3 στροφές
- χτυπήστε ελαφρά το παξιμάδι της φωλιάς B με το

κλειδί C

- αφαιρέστε το παξιμάδι B και τη φωλιά (ασφαλίστε τον άξονα)
- αναποδογυρίστε το εργαλείο
- τοποθετήστε νέα φωλιά στον άξονα της φωλιάς
- τοποθετήστε το παξιμάδι της φωλιάς B (ασφαλίστε τον άξονα)

**! ποτέ μην σφίγγετε το παξιμάδι εάν δεν υπάρχει κοπτικό εργαλείο μέσα στη φωλιά - η φωλιά μπορεί να αχρηστευθεί**

- Ρύθμιση του βάθους φρεζαρίσματος ⑧

**! σβήστε το εργαλείο και βγάλτε το φως από την πρίζα**

- θέστε τη μικρορύθμιση στην κεντρική θέση της στρέφοντας το διακόπτη E μέχρι το τέρμα, κατόπιν γυρίστε τον πίσω κατά 4 ολόκληρες στροφές και ρυθμίστε την κλίμακα F σε 0 ⑧a
- περιστρέψτε τον πυργίσκο G έτσι ώστε στην κατώτατη θέση του να κουμπώσει ακριβώς κάτω από το δείκτη βάθους D (για μηδενισμό) ⑧b
- λασκάρτε το διακόπτη H έτσι ώστε ο δείκτης βάθους D να πέσει επάνω στον πυργίσκο του στοπ βάθους G ⑧b

- τοποθετήστε το εργαλείο επάνω κομμάτι
- λασκάρτε το μοχλό ασφάλισης J ⑧c
- σπρώξτε το εργαλείο προς τα κάτω μέχρι το κοπτικό εργαλείο να έλθει σε επαφή με το κατεργαζόμενο κομμάτι ⑧d
- απελευθερώστε και σφίξτε το μοχλό ασφάλισης J ⑧e
- μετακινήστε τον δείκτη βάθους AC στα 0 mm ⑧ f
- ανεβάστε το δείκτη βάθους D τόσα mm όσο είναι το επιθυμητό βάθος φρεζαρίσματος, και σφίξτε το διακόπτη H ⑧f
- λασκάρτε το μοχλό ασφάλισης J και οδηγήστε το εργαλείο ξανά προς τα επάνω
- χρησιμοποιήστε τον διακόπτη μικρορύθμισης E για ρύθμιση του βάθους φρεζαρίσματος με μεγαλύτερη ακρίβεια (0...±8 mm). Τα σημάδια στην κλίμακα F αντιστοιχούν σε 0,1 mm, 1 πλήρης στροφή αντιστοιχεί σε 2,0 mm
- με τον πυργίσκο του στοπ βάθους G το βάθος φρεζαρίσματος μπορεί να αυξηθεί βηματικά, αντίστοιχα (συνιστάται για ναθές κοπές)

**! επαναρυθμίστε το βάθος φρεζαρίσματος μετά την αλλαγή κοπτικού στο ρούτερ**

- Έλεγχος ταχύτητας ⑨

- Για τα καλύτερα δυνατά αποτελέσματα φρεζαρίσματος σε διαφορετικά υλικά
- επιλέξτε την ταχύτητα φρεζαρίσματος με τον τροχό K (ακόμη και κατά τη διάρκεια της λειτουργίας)
- χρησιμοποιήστε τον πίνακα ⑩ ως αναφορά για τον καθορισμό της σωστής ταχύτητας φρεζαρίσματος
- πριν ξεκινήσετε την εργασία, βεβαιωθείτε ότι έχετε ρυθμίσει την καλύτερη δυνατή ταχύτητα κάνοντας δοκιμή πάνω σε ένα κομμάτι άχρηστου υλικού

**! μετά από μεγάλα διαστήματα εργασίας σε χαμηλή ταχύτητα, δώστε στο μηχανήμα την ευκαιρία να κρυώσει, αφήνοντάς το να λειτουργεί για 3 περίπου λεπτά σε υψηλή ταχύτητα χωρίς φορτίο**

- Λαμπάκι LED AD ⑪

- Η λυχνία LED AD ανάβει αυτόματα κατά την ενεργοποίηση της σκανδάλης M

- Απορρόφηση σκόνης
  - τοποθετείστε το συστ. προσαρμογής ηλεκτρικής κούπας L όπως δείχνει η εικόνα 12a
  - Συνδέστε το σωλήνα της ηλεκτρικής σκούπας στο προσαρμοστικό της ηλεκτρικής σκούπας L 12b
- Χειρισμός του εργαλείου 13
  - ! **να κρατάτε πάντοτε το εργαλείο σταθερά και με τα δύο χέρια**
  - ! **ενώ εργάζεστε, να κρατάτε πάντα το εργαλείο από τη/τις λαβή/ές με γκρι χρώμα**
  - τοποθετήστε το εργαλείο επάνω κομμάτι
  - ξεκινάτε το εργαλείο σας πρώτα πιέσσοντας το κουμπί N (= διακόπτης ασφαλείας που δεν μπλοκάρει) και μετά πατήστε τη σκανδάλη M
  - ! **το εργαλείο σας πρέπει να δουλεύει στη μέγιστη ταχύτητα προτού το κοπτικό εργαλείο φθάσει την επιφάνεια την οποία καταργάζεστε**
  - λύστε το μοχλό στερέωσης J και πιέστε σιγά-σιγά το εργαλείο προς τα κάτω μέχρι ο δείκτης βάθους D να φτάσει στον πυργίσκο του στοπ βάθους G
  - σφίξτε το μοχλό στερέωσης J
  - διεξάγετε το φρεζάρισμα ασκώντας ομοιόμορφη προώθηση
  - να χρησιμοποιείτε το εργαλείο με την πλάκα βάσης πάντοτε επίπεδη επάνω στο κατεργαζόμενο κομμάτι
  - ένας γενικός κανόνας είναι ότι όταν κόβετε πρέπει να τραβάτε το εργαλείο και όχι να το σπρώχνετε
  - όταν τελειώσετε την εργασίας σας ξεσφίξτε το μοχλό J και επαναφέρετε το εργαλείο στην αρχική του θέση
  - απελευθερώστε τη σκανδάλη M
- Η σωστή κατεύθυνση 14
  - να θυμάστε πάντοτε ότι το κοπτικό εργαλείο γυρίζει προς τα δεξιά (προς τη φορά του ρολογιού)
  - να οδηγείτε το εργαλείο έτσι ώστε το κοπτικό εργαλείο να περιστρέφεται μέσα στο κατεργαζόμενο κομμάτι και όχι μακριά από αυτό
- Τοποθέτηση της πλάκας προσαρμογής P (για να κόψετε αντιγράφοντας από πρότυπο) 15
- Τοποθέτηση του οδηγού ευθείας κοπής Q 16
  - περάστε τα αξονάκια Y του οδηγού μέσα από τις τρύπες στην πλάκα της βάσης R
  - ρυθμίστε τον οδηγό στο επιθυμητό πλάτος και στερεώστε τον με τα 2 κουμπιά Z
- Χρήση του οδηγού ευθείας κοπής ως κυκλικού οδηγού 17
  - ! **αναποδογυρίστε πρώτα τον οδηγό ευθείας κοπής**
  - σφίξτε τον πείρο AA με το παξιμάδι AB όπως εικονίζεται
  - περάστε τα αξονάκια Y στην πλάκα της βάσης R
  - τρυπήστε τον πείρο AA στο σηματομενόμενο κέντρο του κυκλικού τόξου
  - στερεώστε τον οδηγό με τα 2 κουμπιά Z
  - οδηγήστε το εργαλείο προωθώντας το σταθερά πάνω στο κατεργαζόμενο κομμάτι
- Χρήση του οδηγού ευθείας κοπής με τον αποσβεστήρα καμπύλης W 18
  - τοποθετήστε τον αποσβεστήρα καμπύλης W (με μονταρισμένο τον κύλινδρο οδήγησης) όπως δείχνει η εικόνα

- οδηγήστε το εργαλείο κατά μήκος της άκρης του κατεργαζόμενου κομματιού ασκώντας ελάχιστη πλευρική πίεση

## ΟΔΗΓΙΕΣ ΕΦΑΡΜΟΓΗΣ

- Για κοψίματα παράλληλα με την πλευρά του κατεργαζόμενου κομματιού να χρησιμοποιείτε τον οδηγό ευθείας κοπής
- Για να κάνετε παράλληλα κοψίματα επάνω σε κάποιο κομμάτι, μακριά από το άκρο του 13
  - στερεώστε επάνω στο κατεργαζόμενο κομμάτι, με 2 σφικτήρες, ένα ίσιο κομμάτι ξύλου
  - οδηγήστε το εργαλείο με την πλάκα-βάσης του κατά μήκος του ξύλου το οποίο τώρα χρησιμεύει σαν οδηγός ευθείας κοπής
- Όταν χρησιμοποιείτε κοπτικά εργαλεία με μια κατάλληλη προεξοχή ή ένα ρουλεμάν, η προεξοχή ή το ρουλεμάν πρέπει να γλιστρά κατά μήκος του άκρου του κατεργαζόμενου κομματιού το οποίο θα πρέπει να είναι απόλυτα λείο 19
- Για τη διεξαγωγή φρεζαρισμάτων μεγάλου βάθους καλό θα ήταν να διεξάγετε πολλά, αλλητάλληλα φρεζαρίσματα με μικρή αφαίρεση βάθους το καθένα
- Για περισσότερες πληροφορίες επισκεφθείτε τη σελίδα [www.skil.com](http://www.skil.com)

## ΣΥΝΤΗΡΗΣΗ / ΣΕΡΒΙΣ

- Αυτό το εργαλείο δεν προορίζεται για επαγγελματική χρήση
- Κρατάτε πάντοτε το εργαλείο και το καλώδιο καθαρά (και ιδιαίτερα τις θυρίδες αερισμού S 2)
- Να λπαίνετε από καιρό σε καιρό στις ράβδους ολίσθησης T 2
- Αν παρ' όλες τις επιμελημένες μεθόδους κατασκευής κι ελέγχου το εργαλείο σταματήσει κάποτε να λειτουργεί, τότε η επισκευή του πρέπει να ανατεθεί σ' ένα εξουσιοδοτημένο συνεργείο για ηλεκτρικά εργαλεία της SKIL
  - στείλτε το εργαλείο **χωρίς να το αποσυναρμολογήσετε** μαζί με την απόδειξη αγοράς στο κατάστημα από το οποίο το αγοράσατε ή στον πλησιέστερο σταθμό τεχνικής εξυπηρέτησης της SKIL (θα βρείτε τις διευθύνσεις και το διάγραμμα συντήρησης του εργαλείου στην ιστοσελίδα [www.skil.com](http://www.skil.com))
- Να γνωρίζετε ότι βλάβες που προκαλούνται λόγω υπερφόρτωσης ή ακατάλληλου χειρισμού του εργαλείου, δεν καλύπτονται από την εγγύηση (για τους όρους της εγγύησης της SKIL επισκεφθείτε τη διεύθυνση [www.skil.com](http://www.skil.com) ή απευθυνθείτε στον πλησιέστερο αντιπρόσωπο)

## ΠΕΡΙΒΑΛΛΟΝ

- **Μην πετάτε τα ηλεκτρικά εργαλεία, εξαρτήματα και συσκευασία στον κάδο οικιακών απορριμμάτων** (μόνο για τις χώρες της ΕΕ)
  - σύμφωνα με την ευρωπαϊκή οδηγία 2012/19/EK περί ηλεκτρικών και ηλεκτρονικών συσκευών και την ενσωμάτωσή της στο εθνικό δίκαιο, τα ηλεκτρικά εργαλεία πρέπει να συλλέγονται ξεχωριστά και να επιστρέφονται για ανακύκλωση με τρόπο φιλικό προς το περιβάλλον
  - το σύμβολο 5 θα σας το θυμίσει αυτό όταν έλθει η ώρα να πετάξετε τις

## ΘΟΡΥΒΟΣ / ΚΡΑΔΑΣΜΟΣ

- Βάσει της μέτρησης σύμφωνα με το πρότυπο EN 60745, η στάθμη ηχοπίεσης αυτού του εργαλείου είναι 91,0 dB(A) και η στάθμη ηχοπίεσης του 102,0 dB(A) (αβεβαιότητα K = 3 dB), και ο κραδασμός 4,5 m/s<sup>2</sup> (τριαξονικό διανυσματικό άθροισμα, αβεβαιότητα K = 1,5 m/s<sup>2</sup>)
  - Το επίπεδο παραγωγής κραδασμών έχει μετρηθεί σύμφωνα με μια τυποποιημένη δοκιμή που αναφέρεται στο πρότυπο EN 60745 - μπορεί να χρησιμοποιηθεί για τη σύγκριση ενός εργαλείου με ένα άλλο, καθώς και ως προκαταρκτική αξιολόγηση της έκθεσης στους κραδασμούς όταν το εργαλείο χρησιμοποιείται για τις εφαρμογές που αναφέρονται
    - η χρήση του εργαλείου για διαφορετικές εφαρμογές ή με διαφορετικά ή κακοσυντηρημένα εξαρτήματα μπορεί να **αυξήσει** σημαντικά το επίπεδο έκθεσης
    - όταν το εργαλείο είναι απενεργοποιημένο ή δουλεύει αλλά δεν εκτελεί την εργασία, το επίπεδο έκθεσης μπορεί να **μειωθεί** σημαντικά
- ! προσαρτείστε από τις επιδράσεις των κραδασμών συντηρώντας σωστά το εργαλείο και τα εξαρτήματά του, διατηρώντας τα χέρια σας ζεστά και οργανώνοντας τον τρόπο εργασίας σας**

RO

## Μαшины de frezat 1860

### INTRODUCERE

- Μαшина este destinată să prelucreze suprafețe executând crestături/șanturi, muchii, profile și găuri ovale/prelungite în lemn, plastic și materiale de construcție ușoare; aceasta este destinată de asemenea și pentru frezarea prin copiere
- Această sculă nu este destinată utilizării profesionale
- Citiți și păstrați acest manual de instrucțiuni ③

### DATE TEHNICE ①

### ELEMENTELE SCULEI ②

- A Axul de blocare
- B Bucșa mandrinei
- C Cheie
- D Sistem de reglare a adâncimii
- E Buton de reglare fină
- F Scală de reglare fină
- G Capul opritor de adâncime
- H Buton de ajustare (sistem de reglare a adâncimii)
- J Manetă blocare
- K Rotiță de selectare a vitezei
- L Adaptor aspiratorului
- M Declanșator de pornire/oprire
- N Întrerupător de siguranță
- P Dispozitiv de adaptare
- Q Riglă de ghidare pentru caneluri
- R Placă de bază
- S Fanțele de ventilație
- T Bare glisante
- V Capac de protecție

- W Dispozitivul de bordurare
- Y Tijele dispozitivului de reglare a crestăturii
- Z Buton de reglare a riglei de ghidare a canelării
- AA Știftul dispozitivului de reglare a crestăturii
- AB Piulița dispozitivului de reglare a crestăturii
- AC Vizor de adâncime
- AD Lampă LED

## SIGURANȚA

### INSTRUCȚIUNI GENERALE DE SIGURANȚĂ PENTRU SCULE ELECTRICE

**⚠ AVERTISMENT Citiți toate avertismentele, instrucțiunile, ilustrațiile și specificațiile furnizate împreună cu această sculă electrică.** Neconformarea la instrucțiunile de mai jos poate produce șoc electric, incendiu și/sau răniiri grave.

**Păstrați toate avertizările și instrucțiunile în vederea consultării ulterioare.**

Termenul de "sculă electrică" folosit în indicațiile de avertizare se referă la sculele electrice alimentate de la rețea (cu cablu de alimentare) și la sculele electrice cu acumulator (fără cablu de alimentare).

### 1) SIGURANȚA LA LOCUL DE MUNCĂ

- Păstrați-vă locul de muncă curat și bine iluminat.** Dezordinea la locul de muncă sau existența unor sectoare de lucru neiluminate poate duce la accidente.
- Nu folosiți mașina în medii cu pericol de explozie, acolo unde există lichide, gaze sau pulberi inflamabile.** Sculele electrice pot produce scânteii care să aprindă pulberile sau vaporii.
- Nu permiteți accesul copiilor și al altor persoane în timpul lucrului cu mașina.** Dacă vi se distrage atenția puteți pierde controlul asupra mașinii.

### 2) SECURITATE ELECTRICĂ

- Ștecherul de racordare a mașinii trebuie să se potrivească cu priza de alimentare. Nu este permisă în nici-un caz modificarea ștecherului. Nu folosiți adaptoare pentru ștechere la mașinile legate la pământ.** Ștecherele nemodificate și prizele de curent adecvate acestora reduc riscul de electrocutare.
- Evitați contactul corporal cu suprafețe legate la pământ ca țevi, radiatoare, plite electrice și frigider.** Există un risc crescut de electrocutare atunci când corpul dv. este și el legat la pământ.
- Nu lăsați mașina afară în ploaie sau în mediu umed.** Riscul de electrocutare crește atunci când într-o sculă electrică pătrunde apă.
- Nu trageți niciodată mașina de cordonul de alimentare pentru a o transporta, a o atârna sau a scoate ștecherul din priza de curent. Feriți cordonul de alimentare de căldură, ulei, muchii ascuțite sau de subsansamble aflate în mișcare.** Un cordon de alimentare deteriorat sau înfășurat mărește riscul de electrocutare.
- Atunci când lucrați cu scula electrică în aer liber, folosiți numai corderoane prelungitoare autorizate pentru exterior.** Întrebuințarea unui cordon prelungitor adecvat utilizării în aer liber reduce riscul de

electrocutare.

- f) **Atunci când nu poate fi evitată utilizarea sculei electrice în mediu umed, folosiți un întrerupător de circuit cu împământare.** Folosirea unei întrerupător de circuit cu împământare reduce riscul de electrocutare.
- 3) SECURITATEA PERSOANELOR**
- a) **Fiți vigilenți, fiți atenți la ceea ce faceți și procedați rațional atunci când lucrați cu scula electrică. Nu folosiți mașina dacă sunteți obosiți sau vă aflați sub influența drogurilor, alcoolului sau a medicamentelor.** Un moment de neatenție în timpul lucrului cu mașina poate duce la răni grave.
- b) **Purtați echipament de protecție personală și întotdeauna ochelari de protecție.** Folosirea echipamentelor de protecție a persoanei ca mască de protecție împotriva prafului, încălțăminte antiderapantă, cască de protecție sau aparat de protecție auditivă, în funcție de tipul și domeniul de folosire al sculei electrice, reduce riscul rănilor.
- c) **Evitați o punere în funcțiune involuntară. Înainte de a introduce ștecherul în priză și/sau de a introduce acumulatorul în scula electrică, de a o ridica sau de a o transporta, asigurați vă că aceasta este oprită.** Dacă atunci când transportați scula electrică țineți degetul pe întrerupător sau dacă porniți scula electrică înainte de a o racorda la rețeaua de curent, puteți provoca accidente.
- d) **Înainte de a pune mașina în funcțiune scoateți afară cheile reglabile și fixe.** O cheie reglabilă sau fixă, aflată într-o componentă de mașină care se rotește, poate provoca răni.
- e) **Nu vă supraapreciați. Asigurați-vă o poziție stabilă și păstrați-vă întotdeauna echilibrul.** Astfel veți putea controla mai bine mașina în situații neașteptate.
- f) **Purtați îmbrăcăminte de lucru adecvată. Nu purtați haine largi sau podoabe. Feriți părul și îmbrăcăminte de piesele aflate în mișcare.** Îmbrăcăminte largă, podoabe și părul lung pot fi prinse de piesele aflate în mișcare.
- g) **Dacă există posibilitatea montării de echipamente și instalații de aspirare și colectare a prafului, asigurați-vă că acestea sunt conectate și folosite corect.** Folosirea unei instalații de aspirare a prafului poate duce la reducerea poluării cu praf.
- h) **Nu vă lăsați amăgiți de ușurința în operare dobândită în urma folosirii frecvente a sculelor electrice și nu ignorați principiile de siguranță ale acestora.** Neglijența poate provoca, într-o fracțiune de secundă, vătămări corporale grave
- 4) MANEVRAȚI ȘI FOLOSIȚI CU GRIJĂ SCULELE ELECTRICE**
- a) **Nu suprasolicitați mașina. Folosiți scula electrică destinată executării lucrării dumneavoastră.** Cu scula electrică potrivită lucrăți mai bine și mai sigur în domeniul de putere specificat.
- b) **Nu folosiți scula electrică dacă are întrerupătorul defect.** O sculă electrică, care nu mai poate fi pornită sau oprită este periculoasă și trebuie reparată.
- c) **Scoateți ștecherul afară din priză și/sau îndepărtați acumulatoru dacă este detașabil, înainte de a executa reglaje, a schimba accesoriu sau a depozita scula electrică.** Această măsură preventivă reduce riscul unei porniri involuntare a mașinii.

- d) **În caz de nefolosire păstrați mașinile la loc inaccesibil copiilor. Nu permiteți persoanelor care nu sunt familiarizate cu mașina sau care n-au citit prezentele instrucțiuni, să folosească mașina.** Sculele electrice sunt periculoase atunci când sunt folosite de persoane fără experiență.
- e) **Întrețineți sculele electrice și accesoriile acestora. Controlați dacă componentele mobile funcționează corect și dacă nu se blochează, dacă nu există piese defecte sau deteriorate, care să afecteze funcționarea mașinii. Înainte de a repune în funcțiune mașina, duceți-o la un atelier de asistență service pentru repararea sau înlocuirea pieselor deteriorate.** Multe accidente s-au datorat întreținerii defectuoase a sculelor electrice.
- f) **Păstrați accesoriile bine ascuțite și curate.** Accesoriile atent întreținute, cu muchii tăietoare bine ascuțite se blochează mai greu și pot fi conduse mai ușor.
- g) **Folosiți sculele electrice, accesoriile, dispozitivele de lucru etc. conform prezentelor instrucțiuni. Țineți seama de condițiile de lucru și de lucrarea care trebuie executată.** Întrebuințarea unor scule electrice destinate altor utilizări decât cele preconizate, poate duce la situații periculoase.
- h) **Mențineți mânerul și zonele de prindere uscate, curate și ferii-le de ulei și unsoare.** Mânerul și zonele de prindere alunecoase nu permit manevrarea și controlul sigur al sculei electrice în situații neașteptate.
- 5) SERVICIU**
- a) **Permiteți repararea mașinii dumneavoastră numai de către un specialist calificat și numai cu piese de schimb originale.** În acest mod este garantată menținerea siguranței de exploatare a mașinii.

## INSTRUCȚIUNI DE SIGURANȚA PENTRU MAȘINI DE FREZAT

- **Apucați mașina de mânerul izolat, deoarece cuțitul poate atinge propriul său cordon** (tăierea unui cablu electric "aflat sub tensiune" poate determina "punerea sub tensiune" a părților metalice expuse ale mașinii și poate cauza electrocutarea operatorului)
- **Folosiți clame sau alte metode practice pentru a securiza și susține piesa de prelucrat pe o platformă stabilă** (dacă țineți piesa cu mâna sau sprijinită de corp va fi instabilă și puteți pierde controlul asupra ei)

### GENERALITĂȚI

- Această sculă nu trebuie să fie folosit de persoane sub 16 ani
- Decuplați întotdeauna ștecherul de la sursa de alimentare înainte de a face o reglare sau o schimbare de accesoriu

### ACCESORII

- SKIL garantează funcționarea perfectă a aparatului numai dacă sunt folosite accesoriile originale
- Folosiți numai accesoriile a căror turație admisă este cel puțin egală cu turația maximă la mers în gol a aparatului
- Nu folosiți cuțite de freză defecte sau deformate
- Folosiți numai cuțite de freză ascuțite
- Feriți accesoriile de impacturi, șocuri și unsoare
- Folosiți la această freză numai cuțite de freză fabricate din oțel rapid (HSS) sau cuțite armate cu placă de carburi metalice (CT)

## ÎNAINTEA UTILIZĂRII

- Evitați daunele provocate de șuruburi, țințe și alte elemente din timpul lucrului; înălțurați aceste elemente înainte de a trece la acțiune
- Verificați întotdeauna dacă tensiunea de alimentare este aceeași cu tensiunea indicată pe plăcuța de identificare a sculei
- **Nu prelucrați materiale care conțin azbest** (azbestul este considerat a fi cancerigen)
- Nu fixați sculă în menghină
- Folosiți cabluri de prelungire derulate complet, protejate/izolate, cu o capacitate de 16 amperi
- Când este utilizat, nivelul de zgomot poate depăși 85 dB(A); este necesar să purtați echipament de protecție pentru urechi
- Praful rezultat din materiale precum vopseaua care conține plumb, unele specii de lemn, minerale și metale poate fi periculos (contactul cu praful sau inhalarea acestuia poate provoca reacții alergice și/sau afecțiuni respiratorii operatorului sau persoanelor care stau în apropiere); **purtați o mască de praf și lucrați cu un dispozitiv de extragere a prafului când poate fi conectat**
- Anumite tipuri de praf sunt clasificate ca fiind cancerigene (cum ar fi praful de stejar și fag) în special în combinație cu aditivi pentru tratarea lemnului; **purtați o mască de praf și lucrați cu un dispozitiv de extragere a prafului când poate fi conectat**
- Respectați reglementările naționale referitoare la aspirația prafului în funcție de materialele de lucru folosite
- Asigurați-vă că sculă are contactul întrerupt atunci când o contactați la priză

## ÎN TIMPUL FUNCȚIONĂRII

- Feriți întotdeauna cordonul de părțile în mișcare ale sculei; orientați cordonul spre spate, la distanță de sculă
- Nu folosiți mașina de frezat atunci când ansamblul de suport R ② (=dispozitiv de protecție) prezintă defecțiuni; înlocuirea lor se va efectua de o persoană autorizată
- Nu utilizați niciodată scula electrică atunci când cablul este deteriorat; acesta trebuie înlocuit cu un cablu special, disponibil prin intermediul organizației de service.
- Aveți grijă ca mâinile și degetele să nu fie în apropierea cuțitului de freză atunci când mașina este în funcțiune
- Nu depășiți adâncimea maximă de tăiere a cuțitului frezei în timpul procesului de prelucrare
- În cazul unor defecțiuni electrice sau mecanice deconectați imediat instrumentul și scoateți șnurul din priză
- În cazul în care cuțitul frezei este blocat lucru ce duce la apariția de șocuri în mașină, întrerupeți imediat contactul acesteia
- În caz de întrerupere a curentului atunci când ștecherul este scos din priză în mod accidental, întrerupeți imediat contactul acesteia pentru a preveni pornirea necontrolată
- Nu apăsați sculă astfel încât ea să se oprească

## DUPĂ UTILIZARE

- După terminarea lucrului deșurubați maneta J ②, aduceți mașina înapoi în poziția inițială de pornire și întrerupeți mașina

## EXPLICAȚIA SIMBOLURILOR DE PE INSTRUMENT

- ③ Citiți manual de instrucțiuni înainte de utilizare
- ④ Izolație dublă (nu este necesar fir de împământare)
- ⑤ Nu aruncați instrumentul direct la pubelele de gunoi

## UTILIZAREA

- Montarea/înlocuirea cuțitelor de freză ⑥
  - ! **opriți scula și scoateți-I din priză**
  - ! **asigurați-vă că tija cuțitului frezei este absolut curată**
  - ! **asigurați-vă că măsura mașonului de prindere (6 mm, 6,35 mm, 8 mm) corespunde cu cea a tijei cuțitului frezei**
  - întoarceți instrumentul invers
  - blocați tija prin împingerea axului de blocare A (dacă este necesar, înșurubați piulița B de strângere) și mențineți-o astfel în timp ce
- **PENTRU MONTARE:**
  - deșurubați piulița de strângere B cu cheia C
  - introduceți burghiul cu un spațiu mic x în mașonul de prindere ⑦
  - înșurubați piulița de strângere foarte bine cu cheia C
  - desfaceți axul de blocare A
- **PENTRU ÎNLOCUIRE:**
  - deșurubați piulița de strângere B cu cheia C
  - scoateți cuțitul frezei
  - desfaceți axul de blocare A
- **! pentru slăbirea cuțitului frezei, poate fi necesar să bateți în partea superioară a acestuia, folosind ciocanul și o bucată de lemn pentru a proteja burghiul**
- **! nu strângeți niciodată piulița mașonului dacă nu există nici un cuțit de freză în mașonul de prindere; mașonul va fi deteriorat**
- Schimbarea mandrinei ⑦
  - ! **opriți scula și scoateți-I din priză**
  - ! **asigurați-vă că tija cuțitului frezei este absolut curată**
  - deșurubați piulița de strângere B cu 2 sau 3 ture
  - prindeți piulița de strângere B cu cheia C
  - scoateți piulița de strângere B și mașonul (blocați tija)
  - întoarceți instrumentul invers
  - introduceți noul mașon pe axul mașonului
  - montați piulița de strângere B (blocați tija)
- **! nu strângeți niciodată piulița mașonului dacă nu există nici un cuțit de freză în mașonul de prindere; mașonul va fi deteriorat**
- Fixarea adâncimea de tăiere ⑧
  - ! **opriți scula și scoateți-I din priză**
  - setați reglajul fin în poziția centrală prin rotirea butonului E până la capăt, apoi rotiți-I complet de 4 ori și setați scala F la 0 ⑧a
  - rotiți capul G astfel încât poziția sa cea mai joasă să se fixeze în partea dreaptă sub șublerul de adâncime D (pentru poziția zero) ⑧b
  - slăbiți butonul H astfel încât șublerul de adâncime D să cadă în capul opritor de adâncime G ⑧b
  - plasați instrumentul pe piesa de prelucrat
  - slăbiți maneta de blocare J ⑧c
  - apăsați mașina în jos până când cuțitul frezei este în contact cu piesa de prelucrat ⑧d
  - desfaceți și strângeți maneta de blocare J ⑧e
  - poziționați vizorul de adâncime AC la 0 mm ⑧f
  - fixați șublerul de adâncime D la numărul de mm egal cu adâncimea de tăiere dorită și apoi strângeți butonul H ⑧f
  - slăbiți maneta de blocare J și dirijați din nou scula

înapoi în sus

- utilizați butonul de reglare fină E pentru setarea mai precisă a adâncimii de tăiere (0 .. ± 8 mm); semnele de pe scală F corespund cu 0,1 mm, 1 tură completă corespunde cu 2,0 mm
- cu ajutorul capului opritor G adâncimea de tăiere poate fi mărită în trepte (recomandat pentru tăieturi de adâncime mare)

**! reglați din nou adâncimea de tăiere după ce ați schimbat cuțitele de freză**

#### • Control de viteză ⑨

Pentru a obține rezultate optime ale operațiilor de frezare în diverse tipuri de materiale:

- selectați turația de frezare cu roata K (selectarea se poate face și când mașina este în funcțiune)
- utilizați tabelul ⑩ ca referință pentru determinarea turației corecte de frezare
- înainte de a începe o lucrare, determinați turația optimă prin încercări pe un alt bloc de material similar

**! după perioade mai lungi de lucru la turație redusă, lăsați scula să se răcească prin funcționare în gol timp de cca. 3 minute la turație ridicată**

#### • Lampă LED AD ⑪

- Lampa LED AD se aprinde automat la activarea declanșatorului M

#### • Aspirarea a prafului

- montați adaptorul pentru aspiratorul L așa cum este ilustrat ⑫a
- conectați furtunul aspiratorului la adaptorul aspiratorului L ⑫b

#### • Utilizarea sculei ⑬

**! întotdeauna țineți mașina foarte bine cu ambele mâini**

**! în timp ce lucrați, țineți întotdeauna scula de zonă (zonele) de prindere colorate gri**

- plasați instrumentul pe piesa de prelucrat
- conectați scula apăsând prima dată butonul N (= comutator de siguranță care nu poate fi blocat) și apoi trăgând declanșatorul M

**! mașina va funcționa cu viteza maximă înainte de atingerea suprafeței de prelucrare de către cuțitul frezei**

- slăbiți maneta de blocare J și împingeți scula ușor în jos până când șublerul de adâncime D atinge capul opritor de adâncime G
- strângeți maneta de blocare J
- procedeul de tăiere se desfășoară cu o viteză uniformă
- folosiți mașina cu partea ei plată pe suprafața de prelucrare
- drept regulă generală fiecare va trage mașina și nu o va împinge
- după terminarea lucrului, deșurubați maneta J și aduceți mașina înapoi în poziția inițială de pornire
- decuplați declanșatorul M

#### • Funcționare corectă ⑭

- nu uitați faptul că acest cuțit de freză se rotește în sensul acelor de ceasornic
- conduceți mașina de așa natură încât cuțitul frezei să se rotească în suprafața de prelucrare și nu într-o altă direcție

#### • Montarea dispozitivului de adaptare P (pentru copierea cu un tipar) ⑮

#### • Montarea dispozitivului de reglare a creștăturii Q ⑯

- introduceți tijele dispozitivului de reglare a creștăturii Y

în orificiile ansamblului de suport R

- glisați dispozitivul de reglare la lățimea dorită și fixați-l cele 2 butoane Z

#### • Utilizarea dispozitivului ca ghidaj circular ⑰

**! mai întâi, inversați poziția dispozitivului**

- strângeți știftul AA cu piulița AB ca în figură
- introduceți tijele Y în placa de bază R
- înfigeți știftul AA în centrul marcat al arcului circular
- strângeți dispozitivul cu cele 2 butoane Z
- ghidați scula cu un avans uniform de-a lungul piesei de prelucrat
- Utilizarea dispozitivului cu dispozitivul de bordurare W ⑱
  - montați dispozitivul de bordurare W (cu rola de ghidaj montată), ca în figură
  - ghidați scula de-a lungul marginii piesei de prelucrat, cu o ușoară apăsare laterală

## SFATURI PENTRU UTILIZARE

- Pentru tăieturi paralele cu marginea suprafeței de prelucrare folosiți un dispozitiv de ghidare
- Pentru realizarea de tăieturi paralele pe suprafața de prelucrare departe de margine ⑲
  - fixați o bucată de lemn dreaptă pe suprafața de prelucrare cu ajutorul a 2 cleme
  - conduceți mașina cu dispozitivul de suport de-a lungul marginii de lemn care acum funcționează drept dispozitiv de ghidare
- Atunci când folosiți cuțite cu rulment sau lagăr cu bile, rulmentul sau lagărul cu bile se vor deplasa de-a lungul marginii suprafeței de prelucrare care trebuie să fie perfect netedă ⑲
- Pentru adâncimi mari de tăiere se recomandă realizarea mai multor tăieturi succesive cu viteze de îndepărtare scăzute
- Pentru mai multe informații, consultați [www.skil.com](http://www.skil.com)

## ÎNTREȚINERE / SERVICE

- Această sculă nu este destinată utilizării profesionale
- Păstrați aparatul și cablul curat (mai ales fantele de ventilație S ②)
- Lubrificați periodic barele glisante T ②
- Dacă în ciuda procedeeleor de fabricație și control riguroase scula are totuși o pană, repararea acesteia se va face numai la un atelier de asistență service autorizat pentru scule electrice SKIL
  - trimiteți scula **în totalitatea lui** cu bonul de cumpărare la distribuitorul sau la centrul de service SKIL cel mai apropiat (adrese și diagrame de service se găsesc la [www.skil.com](http://www.skil.com))
- Trebuie să fiți conștienți de faptul că deteriorarea datorată suprasarcinii sau utilizării incorecte a sculei vor fi excluse din garanție (pentru condițiile de garanție SKIL consultați [www.skil.com](http://www.skil.com) sau întrebați distribuitorul)

## MEDIUL

- **Nu aruncați sculele electrice, accesoriile sau ambalajele direct la pubelele de gunoi** (numai pentru țările din Comunitatea Europeană)
  - Directiva Europeană 2012/19/EC face referire la modul de aruncare a echipamentelor electrice și electronice și modul de aplicare a normelor în conformitate cu legislația națională; sculele electrice în momentul în care au atins un grad avansat de uzură și trebuiesc

арунцате, еле трябва да се събират отделно и рециклират  
във един начин, който съответства на нормите за защита на  
средата обкръжаваща

- символът ⑤ ва ва напомня за това дело

## ZGOMOT / VIBRAȚII

- Мярцурате във съответствие с EN 60745, нивелът де пресиуне сонорă а ацестуй инструмент есте 91,0 dB(A) ши нивелът де згомот 102,0 dB(A) (инертитудинена K = 3 dB) ши вибраȚия 4,5 м/с<sup>2</sup> (сума векториалă триахилă; инертитудинена K = 1,5 м/с<sup>2</sup>)
  - Нивелът емисиил де вибраȚии а фост мясурат във съответствие сун тест стандардизат прецизат във EN 60745; поате фи фолосит pentru а компара о скулă сун алта ши а евалуаре prelimинăрă а експунерии ла вибраȚии атунци канд фолосиȚи сцла pentru апликаȚииле менȚионате
    - ултизареа сцлеи pentru апликаȚии дйферите суну сун ацесориил дйферите ши прост вътреинуте поате **креште** семнификатив нивелът де експунере
    - моментеле във каре сцла есте опрѣта суну канд функционезă дар ну ехецутă ничо lucrare, пот **редуце** семнификатив нивелът де експунере
- !** **протежати-ва въпротива ефектел вибраȚиил прин вътреинутереа сцлеи ши а ацесориил сале, пăстрăнд мăинил карде ши организанд процеселе де lucru**

BG

## Оберфреза

1860

### УВОД

- Машината е предназначена за фрезование на канали, ръбове, профили и продълговати отвори в дърво, пластмасата и леки строителни материали, както и за копирно фрезование
- Този инструмент не е предназначен за професионална употреба
- Прочетете и пазете това ръководство за работа ③

## ТЕХНИЧЕСКИ ДАННИ ①

### ЕЛЕМЕНТИ НА ИНСТРУМЕНТА ②

- A Фиксатор на вала
- B Гайка на патронника
- C Ключ
- D Дълбочинен ограничител
- E Бутон за фино регулиране
- F Скала за фино регулиране
- G Глава на ограничителя на дълбочина
- H Регулировъчни бутон (дълбочинен ограничител)
- J Лост заключващ
- K Регулатор за избор на скорост
- L Адаптер за прахосмукачка
- M Ключ за включено/изключено
- N Предпазен изключвател
- P Регулираща плоча
- Q Предпазител против разкъсване
- R Основа плоча
- S Вентилационните отвори
- T Плъзгачи
- V Защитен капак

W Ограничител за извивки

Y Пръти на направляваща планка

Z Бутон за регулиране на направляващата планка

AA Щифт на направляваща планка

AB Паралелна направляваща гайка

AC Визьор за дълбочина

AD Светодиодна светлина

## БЕЗОПАСНОСТ

### ОБЩИ УКАЗАНИЯ ЗА БЕЗОПАСНА РАБОТА С ЕЛЕКТРОИНСТРУМЕНТИ

**!** **ПРЕДУПРЕЖДЕНИЕ** Прочете всички предупреждения за безопасност, инструкции, илюстрации и спецификации, доставени с този електроинструмент. Неспазването на всички описани по-долу инструкции може да доведе до токов удар, пожар и/или тежко нараняване.

### Запазете всички предупреждения и указания за ползване в бъдеще.

Използваният по-долу термин "електроинструмент" се отнася до запазвани от електрическата мрежа електроинструменти (със запазващ кабел) и до запазвани от акумулаторна батерия електроинструменти (без запазващ кабел).

### 1) БЕЗОПАСНОСТ НА РАБОТНОТО МЯСТО

- a) **Поддържайте работното си място чисто и подредено.** Безпорядъкът или недостатъчното осветление могат да спомогнат за възникването на трудова злополука.
- b) **Не работете с електроинструмента в среда с повишена опасност от възникване на експлозия, в близост до леснозапалими течности, газове или прахообразни материали.** По време на работа в електроинструментите се отделят искри, които могат да възпламят прахообразни материали или пари.
- c) **Дръжте деца и странични лица на безопасно разстояние, докато работите с електроинструмента.** Ако вниманието Ви бъде отклонено, може да загубите контрола над електроинструмента.

### 2) БЕЗОПАСНОСТ ПРИ РАБОТА С ЕЛЕКТРИЧЕСКИ ТОК

- a) **Щепселът на електроинструмента трябва да е подходящ за ползвания контакт. В никакъв случай не се допуска изменение на конструкцията на щепсела. Когато работите със занулени електроуреди, не използвайте адаптери за щепсела.** Ползването на оригинални щепсели и контакти намалява риска от възникване на токов удар.
- b) **Избягвайте допира на тялото Ви до заземени тела, напр. тръби, отоплителни уреди, пещи и хладилници.** Когато тялото Ви е заземено, рискът от възникване на токов удар е по-голям.
- c) **Предпазвайте електроинструмента си от дъжд и влага.** Проникването на вода в електроинструмента повишава опасността от токов удар.



- d) **Не използвайте** **захранващия кабел за цели, за които той не е предвиден**, напр. за да носите електронинструмента за кабела или да извадите щепсела от контакта. **Предпазвайте кабела от нагряване, омасляване, допир до остри ръбове или до подвижни звена на машини.** Повредени или усукани кабели увеличават риска от възникване на токов удар.
- e) **Когато работите с електронинструмент навън, използвайте само удължителни кабели, предназначени за работа на открито.** Използването на удължител, предназначен за работа на открито, намалява риска от възникване на токов удар.
- f) **Ако се налага използването на електронинструмента във влажна среда, използвайте предпазен прекъсвач за утечни токове.** Използването на предпазен прекъсвач за утечни токове намалява опасността от възникване на токов удар.
- 3) БЕЗОПАСЕН НАЧИН НА РАБОТА**
- a) **Бъдете концентрирани, следете внимателно действията си и постъпвайте предпазливо и разумно. Не използвайте електронинструмента, когато сте уморени или под влиянието на наркотични вещества, алкохол или упойващи лекарства.** Един миг разсеяност при работа с електронинструмент може да има за последствие изключително тежки наранявания.
- b) **Работете с предпазващо работно облекло и винаги с предпазни очила.** Носенето на подходящи за ползвания електронинструмент и извършваната дейност лични предпазни средства, като дихателна маска, здрави плътнотзатворени обувки със стабилен грайфер, защитна каска или шумозаглушители (антифони), намалява риска от възникване на трудова злополука.
- c) **Избягвайте опасността от включване на електронинструмента по невнимание. Преди да включите щепсела в захранващата мрежа или да поставите акумулаторната батерия, се уверявайте, че пусковият прекъсвач е в положение изключено.** Ако, когато носите електронинструмента, държите пръста си върху пусковия прекъсвач, или ако подавате захранващо напрежение на електронинструмента, когато е включен, съществува опасност от възникване на трудова злополука.
- d) **Преди да включите електронинструмента, се уверявайте, че сте отстранили от него всички помощни инструменти и гаечни ключове.** Помощен инструмент, забравен на въртящо се звено, може да причини травми.
- e) **Не надценявайте възможностите си. Работете в стабилно положение на тялото и във всеки момент поддържайте равновесие.** Така ще можете да контролирате електронинструмента по-добре и по-безопасно, ако възникне неочаквана ситуация.
- f) **Работете с подходящо облекло. Не работете с широки дрехи или украшения. Дръжте косата и дрехите си на безопасно разстояние от движещи се звена.** Широките дрехи, украшенията, дългите коси могат да бъдат захванати и увлечени от
- въртящи се звена.
- g) **Ако е възможно използването на външна аспирационна система, се уверявайте, че тя е включена и функционира изправно.** Използването на аспирационна система намалява рисковете, дължащи се на отделящата се при работа прах.
- h) **Доброто познаване на електронинструмента вследствие на честа работа с него не е повод за намаляване на вниманието и пренебрегване на мерките за безопасност.** Едно невнимателно действие може да предизвика тежки наранявания само за части от секундата.
- 4) ВНИМАТЕЛНО ОТНОШЕНИЕ КЪМ ЕЛЕКТРОИНСТРУМЕНТИ**
- a) **Не претоварвайте електронинструмента. Използвайте електронинструментите само съобразно тяхното предназначение.** Ще работите по-добре и по-безопасно, когато използвате подходящия електронинструмент в зададения от производителя диапазон на натоварване.
- b) **Не използвайте електронинструмент, чието пусков прекъсвач е повреден.** Електронинструмент, който не може да бъде изключван и включван по предвидения от производителя начин, е опасен и трябва да бъде ремонтиран.
- c) **Преди да извършвате навкито и да е дейности по електронинструмента, напр. настройване, смяна на работен инструмент, канто и когато го прибирате, изключвайте щепсела от контакта, респ. изваждайте батерията, ако е възможно.** Тази мярка премахва опасността от задействане на електронинструмента по невнимание.
- d) **Съхранявайте електронинструментите на места, където не могат да бъдат достигнати от деца. Не допускайте те да бъдат използвани от лица, които не са запознати с начина на работа с тях и не са прочели тези инструкции.** Когато са в ръцете на неопитни потребители, електронинструментите могат да бъдат изключително опасни.
- e) **Поддържайте добре електронинструментите си и анесоарите им. Проверявайте дали подвижните звена функционират безукорно, дали не заклинват, дали има счупени или повредени детайли, които нарушават или изменят функциите на електронинструмента. Преди да използвате електронинструмента, се погрижете повредените детайли да бъдат ремонтирани.** Много от трудовите злополуки се дължат на недобре поддържани електронинструменти и уреди.
- f) **Поддържайте режещите инструменти винаги добре заточени и чисти.** Добре поддържаните режещи инструменти с остри ръбове оказват по-малко съпротивление и се водят по-леко.
- g) **Използвайте електронинструментите, допълнителните приспособления, работните инструменти и т.н., съобразно инструкциите на производителя. С дейности и процедури, евентуално предписани от различни нормативни документи.** Използването на електронинструменти за различни от предвидените от производителя приложения повишава опасността от възникване на трудови злополуки.

- h) **Поддържайте дръжките и ръкохватките сухи, чисти и неомаслени.** Хлъзгавите дръжки и ръкохватки не позволяват безопасна работа и доброто контролиране на електроинструмента при възникване на неочаквана ситуация.

## 5) ПОДДЪРЖАНЕ

- a) **Допускайте ремонтът на електроинструментите Ви да се извършва само от квалифицирани специалисти и само с използването на оригинални резервни части.** По този начин се гарантира съхраняване на безопасността на електроинструмента.

## УКАЗАНИЯ ЗА БЕЗОПАСНА РАБОТА С ОБЕРФРЕЗИ

- **Дръжте инструмента за изолираните повърхности на ръкохватката, тъй като фрезоващият нож може да опре в неговия захранващ кабел** (прерязването на "фазовия" кабел може да доведе до наличие на напрежение на откритите метални части на инструмента и да причини токов удар на оператора)
- **Използвайте затягащи приспособления или друг практичен начин за обезопасяване и закрепване на обработвания детайл към стабилна основа** (държането на обработвания детайл с ръка или опрян до тялото го прави нестабилен и може да доведе до загуба на контрол)

## ОБЩИ

- Машината не трябва да се използва от лица под 16 години
- Преди извършването на каквато и да било настройка или смяна на принадлежност винаги изваждайте щепсела от контакта на електрозахранването

## АНЕСОАРИ

- SKIL може да осигури безаварийна работа на електроинструмента само ако се използват оригинални допълнителни приспособления
- Използвайте само принадлежности, чиято допустима скорост на въртене е поголяма или равна на максималната скорост на въртене на празен ход на електроинструмента
- Не използвайте повредени или деформирани фрезоващи ножове
- Използвайте само остри фрезоващи ножове
- Пазете консумативите от удари и сътресения
- С този инструмент използвайте само ножове от високоскоростна стомана (HSS) или твърдосплавни ножове (СТ)

## ПРЕДИ УПОТРЕБА

- Избягвайте повреди, които могат да бъдат причинени от винтове, гвоздеи и други метални елементи в обработвания детайл; отстранете ги преди да започнете работа
- Преди включване на инструмента в контакта се уверете, че мрежовото напрежение отговаря на напрежението, обозначено на фирмената табелка на инструмента
- **Не обработвайте азбестосъдържащ материал** (азбестът е канцерогенен)
- Не затягайте електроинструмента в преса или менгеме
- Използвайте напълно развити и обезопасени разклонители с капацитет 16 А
- При работа нивото на шума може да надвиши 85

dB(A); носете анттифони

- Прахът от някои материали, като например съдържаша олово боя, някои видове дървесина, минерали и метали може да бъде вреден (контакт или вдишване на такъв прах могат да причинят алергични реакции и/или респираторни заболявания на оператора или стоящите наблизо лица); **използвайте противопрахова масна и работете с аспиращо прахта устройство, когато такова може да бъде свързано**
- Определени видове прах са класифицирани като карциногенни (като прах от дъб и бук) особено когато са комбинирани с добавки за подобряване на състоянието на дървесината; **използвайте противопрахова масна и работете с аспиращо прахта устройство, когато такова може да бъде свързано**
- Следвайте дефинираните по БДС изисквания относно запращеността за материалите, които желаете да обработвате
- При включване в контакта се уверете, че електроинструмента е изключена

## ПРИ УПОТРЕБА

- Винаги отвеждайте захранващия кабел далеч от движещите се звена на електроинструмента; прехвърлете кабела отзад, далеч от електроинструмента
- Никога не използвайте инструмента, когато основната пластина R ② (= предпазен протектор) е повредена; заменяна ѝ следва да се извърши от квалифицирано лице
- Никога не използвайте инструмента, ако кабелът е повреден; той трябва да бъде заменен със специално подготвен кабел, наличен през сервизната организация.
- Пазете ръцете и пръстите си от фрезоващия нож, когато инструмента е включена
- При работа не превишавайте максималната дълбочина на фрезован
- В случай на електрическа или механична неизправност, изключете незабавно апарата и прекъснете контакта с електрическата мрежа
- В случай на заклиняване на ножа, предизвикващо вибрации, незабавно изключете инструмента
- В случай на прекъсване на захранването или случайно издърпване на щепсела незабавно, веднага изключете инструмента, за да избегнете случайно рестартиране на инструмента
- При спиране на инструмента, не прилагайте сила

## СЛЕД РАБОТА

- След приключване на работа разхлабете лост J ②, поставете инструмента в горно стартово положение и изключете захранването

## ОБЯСНЕНИЕ НА СИМВОЛИТЕ ПО ИНСТРУМЕНТА

- ③ Преди употреба прочетете ръководството с указания
- ④ Двойна изолация (не се изисква кабел за заземяване)
- ⑤ Не извърляйте инструмента заедно с битови отпадъци

## УПОТРЕБА

- Поставете/снемане на фрезоващия нож ⑥  
**! изключете инструмента и извадете щепсела от контакта**  
**! проверете дали валът на фрезоващия нож е**

## идеално чист

**! проверете дали размерът на втулка (6 мм, 6,35 мм, 8 мм) съответства на размера на вала на фрезоващия нож**

- обърнете инструмента надолу
- застопорете вала чрез избутване на фиксатор А на вала (ако е необходимо, завъртете патронник В) и задръжте, докато

### ПОСТАВЯНЕ:

- разхлабете патронник В с ключ С
- поставете нож с малко пространство в х патронника ⑦
- затегнете здраво патронника с ключ С
- освободете фиксатора на вала А

### СВАЛЯНЕ:

- разхлабете патронник В с ключ С
- махнете ножа
- освободете фиксатора на вала А

**! за разхлабване на ножа за фреза може да е необходимо да се чукне лено по върха на ножа за фреза, използвайки чук и парче дърво за защита на ножа**

**! не затягайте патронника, ако в него няма поставен нож; това може да доведе до повреда на втулка**

- Смяна на патронниците ⑦

**! изключете инструмента и извадете щепсела от контакта**

**! проверете дали валът на патронника е идеално чист**

- развийте патронник В с 2 или 3 оборота
- чукнете патронник В с ключ С
- махнете патронник В и втулката (застопорете вала)
- обърнете инструмента надолу
- поставете нова втулка във вала
- монтирайте патронника В (застопорете вала)

**! не затягайте патронника, ако в него няма поставен нож; това може да доведе до повреда на втулка**

- Регулиране на дълбочина на фрезозане ⑧

**! изключете инструмента и извадете щепсела от контакта**

- задайте финото регулиране към неговата централна позиция, като завъртите ключа Е до края, след което завъртите обратно 4 пълни завъртания и зададете скалата F на 0 ⑧a
- завъртете револверната глава G така, че най-долната ѝ позиция да съвпадне на място точно под дълбокомера D (за зануляване) ⑧b
- разхлабете ключа H, така че дълбокомерът D да падне към главата на ограничителя на височина G ⑧b
- поставете инструмента върху дървения материал
- освободете заключващия лост J ⑧c
- притиснете инструмента надолу, докато фрезоващият нож допре обработвания материал ⑧d
- освободете и затегнете заключващия лост J ⑧e
- преместете визьора за дълбочина AC на 0 mm ⑧ f
- вдигнете дълбокомера D на толкова милиметра, колкото е желаната дълбочина на фрезозане и затегнете ключа H ⑧f
- освободете заключващия лост J и отново насочете

инструмента в обратна посока

- използвайте ключа за фино регулиране Е за задаване на маршрутната дълбочина по-прецизно (0...±8 mm); маркировките на скалата F отговарят на 0,1 mm, 1 пълно завъртане отговаря на 2,0 mm
- с револверна глава за ограничаване на дълбочината G маршрутната дълбочина може да бъде увеличавана стъпка по стъпка респективно (препоръчва се за дълбоки срезове)

**! регулирайте отново дълбочината на фрезозане, след като сте сменили фрезоващите ножове**

- Управление на скоростта ⑨
- За оптимални резултати при фрезозане на различни материали

- изберете скорост на фрезозане чрез регулатор K (също докато инструмента е в действие)
- използвайте таблица ⑩ за справка, за да определите подходящата скорост на фрезозане
- преди да започнете работа, намерете оптималната скорост чрез изпробване върху непотребен материал

**! след дълги периоди на работа на ниска скорост дайте възможност на инструмента да се охлади, като в продължение на приблизително 3 минути я пуснете на висока скорост без товар**

- Светодиодна светлина AD ⑪

- Светодиодната лампа AD автоматично светва при активиране на ключа M

- Изсмукване на праха

- монтирайте адаптора за прахосмукачката L, както е показано ⑫a

- свържете маркуча на прахосмукачката към адаптера за прахосмукачка L ⑫b

- Работа с инструмента ⑬

**! дръжте инструмента здраво с двете ръце**

**! по време на работа, винаги дръжте уреда за оцветената(ите) в сиво зона(и) за хващане**

- поставете инструмента върху дървения материал
- включете инструмента, като първо натиснете копчето N (= защитен превключвател, който не може да се блокира) а след това дръпнете спусъка M

**! преди ножът да допре работния материал, инструментата трябва да е достигнала максималните си обороти**

- освободете заключващия лост J и бавно спуснете и бавно спуснете инструмента надолу докато дълбокомера D достигне до ограничителя на дълбочина G

- затегнете блокиращия лост J

- извършете фрезозането с равномерна скорост на подаване

- по време на работа с инструмента основният блок трябва да лежи плътно върху работния материал
- като правило инструментата се придързва, а не се избутва

- след приключване на работа, разхлабете лост J и поставете инструмента в горно стартово положение

- отпуснете спусъка M

- Правила при придвижване на инструмента <sup>(14)</sup>
  - имайте предвид, че ножът се върти по посока на часовниковата стрелка
  - направлявайте инструмента така, че ножът да се върти в работния материал, а не извън него
- Монтиране на регулиращата плоча P (за копиране с шаблон) <sup>(15)</sup>
- Монтиране на направляващата планка Q <sup>(16)</sup>
  - вкарайте прътите Y на направляващата планка в отворите на основния блок R
  - приплъзнете направляващата планка до желаната ширина и я затегнете с 2 ключа Z
- Използване на направляващата планка като кръгъл водач <sup>(17)</sup>

**! първо обърнете направляващата планка**

  - затегнете щифта AA с гайка AB, както е показано
  - поставете прътите Y в основния блок R
  - прокарайте прът AA през маркирания център на кръгообразната арка
  - затегнете направляващата планка с 2 ключа Z
  - направлявайте инструмента с постоянен натиск по обработвания детайл
- Използване на направляващата планка с ограничител за извивки W <sup>(18)</sup>
  - монтирайте ограничителя за извивки W (с монтирана направляваща ролка), както е показано
  - придвижвайте инструмента по ръба на обработвания детайл, като прилагате лек натиск от страни

## УКАЗАНИЯ ЗА РАБОТА

- За фрезование на профили, успоредни на страничния край на работния материал, използвайте направляваща втулка
- За изработване на успоредни профили в материала, отстоящи на разстояние от ръба му <sup>(13)</sup>
  - закрепете право парче дърво върху работния материал с помощта на 2 скоби
  - придвижвайте инструмента така, че основният блок да се движи по ръба на дървото, което в случая играе ролята на направляваща втулка
- При използване на ножове с направляващ или сачмен лагер направляващият или сачмен лагер трябва да се движи по ръба на работния материал, чиято повърхност трябва да е съвършено гладка <sup>(19)</sup>
- За по-големи дълбочини на фрезование се препоръчва изпълнението на няколко последователни фрезования с по-бавна скорост на отнемане на материал
- За повече информация вижте [www.skil.com](http://www.skil.com)

## ПОДДРЪЖКА / СЕРВИЗ

- Този инструмент не е предназначен за професионална употреба
- Поддържайте винаги електроинструмента и захранващия кабел чисти (особено вентилационните отвори S <sup>(2)</sup>)
- От време на време смазвайте плъзгачите T <sup>(2)</sup>
- Ако въпреки прецизното производство и внимателно изпитване възникне повреда, инструмента да се занесе за ремонт в оторизиран сервиз за електроинструменти на SKIL
- занесете инструмента в **неразглобен вид** заедно

с доказателство за покупката му в търговския обект, откъдето сте го закупили, или в най-близкия сервиз на SKIL (адресите, както и схемата за сервизно обслужване на електроинструмента, можете да намерите на адрес [www.skil.com](http://www.skil.com))

- Имайте предвид, че повреда поради претоварване или неправилно манипулиране с инструмента ще бъдат изключени от гаранцията (за условията на гаранцията от SKIL виж на интернет адрес: [www.skil.com](http://www.skil.com) или попитайте вашия дилър)

## ОПАЗВАНЕ НА ОКОЛНАТА СРЕДА

- **Не изхвърляйте електроуредите, приспособленията и опановите заедно с битови отпадъци** (само за страни от ЕС)
  - съобразно Директивата на ЕС 2012/19/EG относно износени електрически и електронни уреди и отразяването ѝ в националното законодателство износените електроуреди следва да се събират отделно и да се предават за рециклиране според изискванията за опазване на околната среда
  - за това указва символът <sup>(5)</sup> тогава когато трябва да бъдат унищожени

## ШУМ / ВИБРАЦИИ

- Измерено в съответствие с EN 60745, нивото на звуковото налягане на този инструмент е 91,0 dB(A), а нивото на звуковата мощност 102,0 dB(A) (неопределеност K = 3 dB), и вибрацията 4,5 m/s<sup>2</sup> (триаксиална векторна сума; неопределеност K = 1,5 m/s<sup>2</sup>)
  - Нивото на предадените вибрации е измерено в съответствие със стандартизиран тест, определен в EN 60745; то може да се използва за сравнение на един инструмент с друг и като предварителна оценка на подлагането на вибрации при използването на инструмента за посочените приложения
    - използването на инструмента за различни от тези приложения или с други, или лошо поддържани аксесоари може значително **да повиши** нивото на което сте подложени
    - периодите от време, когато инструмента е изключен или съответно включен, но с него не се работи в момента могат значително **да намалят** нивото на което сте подложени
- ! предпазвайте се от ефектите от вибрациите, като поддържате инструмента и аксесоарите му, пазете ръцете си топли и организирате вашите модели на работа**

SK

Horná fréza

1860

## ÚVOD

- Tento nástroj sa má používať na frézovanie žliabkov, hrán, profilov a predĺžených otvorov v dreve, plastickom materiáli a v ľahkých stavebných materiáloch ako aj na kopírovanie obrysov
- Tento nástroj nie je vhodný pre profesionálne použitie
- Prečítajte a uschovajte tento návod na použitie <sup>(3)</sup>

## TECHNICKÉ ÚDAJE ①

### ČASTI NÁSTROJA ②

- A Poistka na hriadelí
- B Matica upínacej vložky
- C Kľúč
- D Hľbkový doraz
- E Gombík jemného nastavenia
- F Stupnica jemného nastavenia
- G Hlavič s hľbkovou zarážkou
- H Nastavovací gombík (hľbkový doraz)
- J Páčka uzamykací
- K Koliesko na výber rýchlost
- L Adaptér na vysávač
- M Vypínač
- N Bezpečnostný spínač
- P Doska adaptéra
- Q Vodičko pre pozdĺžne rezanie
- R Platňa základne
- S Vetracie štrbiny
- T Posuvné tyče
- V Ochranný kryt
- W Kruhovú zarážka
- Y Tyče bočného vodidla
- Z Gombík pre nastavenie pozdĺžneho rezania
- AA Kolík bočného vodidla
- AB Matica bočného vodidla
- AC Ryska hĺbky
- AD LED-Kontrolka

## BEZPEČNOSŤ

### VŠEOBECNÉ BEZPEČNOSTNÉ UPOZORNENIA TYKAJÚCE SA ELEKTRICKÉHO NÁRADIA

**⚠ VÝSTRAHA** Prečítajte si všetky bezpečnostné výstrahy, pokyny, ilustrácie a technické údaje, ktoré sú dodané s týmto elektrickým nástrojom. Nedodržanie všetkých nižšie uvedených pokynov môže viesť k poraneniu elektrickým prúdom, požiaru a/alebo vážnemu poraneniu.

**Všetky upozornenia a pokyny si odložte na ďalšie použitie.**

Pojem „elektrické náradie“ používaný v nasledujúcom texte sa vzťahuje na ručné elektrické náradie napájané zo siete (s prívodnou šnúrou) a na ručné elektrické náradie napájané akumulátorovou batériou (bez prívodnej šnúry).

#### 1) BEZPEČNOSŤ NA PRACOVISKU

- a) **Udržiavajte svoje pracovisko čisté a upratané.** Neporiadok na pracovisku alebo neosvetlené časti pracoviska môžu viesť k úrazom.
- b) **Nepracujte elektrickým náradím v prostredí ohrozenom výbuchom, v ktorom sa nachádzajú horľavé kvapaliny, plyny alebo prach.** Elektrické náradie produkuje iskry, ktoré môžu prach alebo pary zapáliť.
- c) **Deti a iné osoby udržiavajte počas práce od ručného elektrického náradia v dostatočnej vzdialenosti.** V prípade odpútania Vašej pozornosti by ste mohli stratiť kontrolu nad náradím.

#### 2) ELEKTRICKÁ BEZPEČNOSŤ

- a) **Zástrčka prívodnej šnúry sa musí hodiť do napájacej zásuvky. Zástrčka sa v žiadnom prípade nesmie meniť. Pri uzemnených spotrebičoch nepoužívajte spolu s nimi žiadne adaptéry.** Nezmenená zástrčka a vhodná zásuvka znižujú riziko zásahu elektrickým prúdom.
- b) **Vyhýbajte sa telesnému kontaktu s povrchovými plochami uzemnených spotrebičov, ako sú elektrické rúry, vyhrievacie telesá, sporáky a chladničky.** Keď je Vaše telo uzemnené, riziko zásahu elektrickým prúdom je vyššie.
- c) **Chráňte ručné elektrické náradie pred dažďom a vlhkom.** Vniknutie vody do ručného elektrického náradia zvyšuje riziko zásahu elektrickým prúdom.
- d) **Nepoužívajte prívodnú šnúru na prenášanie náradia, na jeho vešanie, ani za ňu nevyťahujte zástrčku zo zásuvky. Prívodnú šnúru chráňte pred horúčavou, olejom, ostrými hranami alebo pohybujúcimi sa časťami náradia.** Poškodené alebo zauzlené šnúry zvyšujú riziko zásahu elektrickým prúdom.
- e) **Ak pracujete s ručným elektrickým náradím vonku, používajte len také predĺžovacie šnúry, ktoré sú schválené pre používanie vo vonkajších priestoroch.** Použitie predĺžovacie šnúry určenej do vonkajšieho prostredia znižuje riziko zásahu elektrickým prúdom.
- f) **Ak sa nedá vyhnúť použitiu ručného elektrického náradia vo vlhkom prostredí, použite prerušovač uzemňovacieho obvodu.** Používanie prerušovača uzemňovacieho obvodu znižuje riziko zásahu elektrickým prúdom.

#### 3) BEZPEČNOSŤ OSÓB

- a) **Buďte pozorní, dávajte pozor na to, čo robíte a k práci s elektrickým náradím pristupujte rozumne. Nepoužívajte elektrické náradie, keď ste unavení alebo keď ste pod vplyvom drog, alkoholu alebo liekov.** Chvilá nepozornosti pri používaní náradia môže viesť k vážnym poraneniam.
- b) **Noste osobné ochranné pomôcky, ochranný odev a vždy majte nasadené ochranné okuliare.** Nosenie pracovného odevu a používanie ochranných pomôcok ako ochrannej dýchacej masky, bezpečnostných protišmykových topánok, prilby alebo chrániča sluchu, podľa druhu elektrického náradia, znižuje riziko poranenia.
- c) **Vyhýbajte sa neúmyselnému uvedeniu ručného elektrického náradia do činnosti. Pred zasunutím zástrčky do zásuvky a/alebo pred pripojením akumulátora, pred chytením alebo prenášaním ručného elektrického náradia sa vždy presvedčte sa, či je ručné elektrické náradie vypnuté.** Ak budete mať pri prenášaní ručného elektrického náradia prst na vypínači, alebo ak ručné elektrické náradie pripojíte na elektrickú sieť zapnuté, môže to mať za následok nehodu.
- d) **Skôr ako ručné elektrické náradie zapnete, odstráňte nastavovacie a montážne nástroje.** Nástroj alebo kľúč, ktorý sa nachádza v pohyblivej časti náradia, môže spôsobiť poranenie.
- e) **Nepreceňujte sa. Zabezpečte si pevný postoj a neprestane udržiavajte rovnováhu.** Takto budete môcť ručné elektrické náradie v neočakávaných

- situáciách lepšie kontrolovať.
- f) **Pri práci noste vhodný pracovný odev. Nenoste široké odevy a nemajte na sebe šperky. Vyvarujte sa toho, aby sa vaše vlasy a odev dostali do blízkosti pohyblivých častí.** Voľný odev, dlhé vlasy alebo šperky môžu byť zachytené rotujúcimi časťami ručného elektrického náradia.
- g) **Ak možno namontovať zariadenie na odsávanie alebo zachytávanie prachu, presvedčíte sa, či je pripojené a správne používané.** Používanie odsávacieho zariadenia a zariadenia na zachytávanie prachu znižuje riziko ohrozenia zdravia prachom.
- h) **Nepodliehajte falošnému pocitu istoty získanej z častého používania náradia a nekonajte v rozpore s princípmi bezpečného používania náradia.** Nepozorná práca môže v priebehu zlomkov sekundy viesť k ťažkému poraneniu.
- 4) STAROSTLIVÉ ZAOBCHÁDZANIE S ELEKTRICKÝM NÁRADÍM A JEHO POUŽÍVANIE**
- a) **Náradie nepreťažujte. Pre svoju prácu používajte určené elektrické náradie.** Pomocou vhodného ručného elektrického náradia budete môcť v uvedenom rozsahu výkonu pracovať lepšie a bezpečnejšie.
- b) **Nepoužívajte žiadne ručné elektrické náradie, ktoré má pokazený vypínač.** Ručné elektrické náradie, ktoré sa už nedá zapínať alebo vypínať, je nebezpečné a treba ho dať opraviť.
- c) **Skôr ako začnete náradie nastavovať alebo prestavovať, vymieňať príslušenstvo alebo ako odložíte náradie, vždy vyťahnite koncovku sieťovej šnúry zo zásuvky a/alebo vyberte akumulátor, ak sa dá vybrať.** Toto preventívne opatrenie zabraňuje neúmyselnému spusteniu ručného elektrického náradia.
- d) **Nepoužívajte ručné elektrické náradie uschovávaťe mimo dosahu detí. Nedopusťte, aby ručné elektrické náradie používali osoby, ktoré s ním nie sú dôkladne oboznámené, alebo ktoré si neprecítali tento Návod na používanie.** Ak ručné elektrické náradie používajú neskúsené osoby, stáva sa nebezpečným nástrojom.
- e) **Ručné elektrické náradie a príslušenstvo starostlivo ošetrujte. Skontrolujte, či pohyblivé súčiastky náradia bezchybne fungujú a neblokujú a či nie sú zlomené alebo poškodené niektoré súčiastky, ktoré by mohli negatívne ovplyvniť fungovanie ručného elektrického náradia. Pred použitím ručného elektrického náradia dajte poškodené súčiastky opraviť.** Nejednen úraz bol spôsobený zle udržiavaným náradím.
- f) **Používané nástroje udržiavajte ostré a čisté.** Starostlivo ošetrované nástroje s ostrými reznými hranami sa menej často zablokujú a ich vedenie je podstatne ľahšie.
- g) **Používajte ručné elektrické náradie, príslušenstvo, pracovné nástroje a pod. podľa týchto pokynov. Zohľadnite pritom konkrétne pracovné podmienky a činnosť, ktorú máte vykonať.** Používanie ručného elektrického náradia na iné ako určené účely môže viesť k nebezpečným situáciám.
- h) **Rukováti a úchopové povrchy udržiavajte suché, čisté a bez oleja alebo mazacieho tuku.** Šmykľavé rukováti a úchopové povrchy neumožňujú bezpečnú manipuláciu a ovládanie náradia v neočakávaných situáciách.

## 5) SERVIS

- a) **Ručné elektrické náradie zverte do opravy len kvalifikovanému personálu a používajte len originálne náhradné súčiastky.** Tým sa zabezpečí zachovanie bezpečnosti ručného elektrického náradia.

## BEZPEČNOSTNÉ POKYNY PRE HORNÉ FRÉZY

- **Elektrické náradie držte za izolované plochy rukováti, pretože rezný nástroj by sa mohol dotknúť vlastnej prívodnej šnúry** (kontakt s vodičom pod napätím, spôsobí, že aj kovové súčiastky náradia sa dostanú pod napätie, čo môže spôsobiť zásah operátora elektrickým prúdom)
- **Obrábaný predmet upevnite svorkami alebo iným praktickým spôsobom k stabilnému podstavcu** (obrábaný predmet nedržíte iba v rukách ani oproti telu, pretože tak nemôžete zabezpečiť jeho stabilitu a môže sa vám vymknúť spod kontroly)

## VŠEOBECNE

- Tento nástroj by nemali používať osoby mladšie ako 16 rokov
- Pri nastavovaní alebo výmene príslušenstva vždy vyťahnite prívodný kábel zo zásuvky

## PRÍSLUŠENSTVO

- SKIL zabezpečí hladký chod nástroja len ak sa používa pôvodné príslušenstvo
- Používajte iba príslušenstvo, u ktorého hodnota príпустných obrátok zodpovedá minimálne najvyšším obrátkam náradia
- Nepoužívajte poškodené alebo deformované frérovacie hroty
- Používajte len ostré frérovacie hroty
- Chráňte kotúče pred nárazom, otrasom a masntotou
- Tento nástroj používajte len frérovacími hrotmi z vysokorýchlostnej ocele (HSS) alebo s karbidovou špičkou (CT)

## PRED POUŽITÍM

- Zabráňte poškodeniu náradia skrútkami, klincami a inými kovovými predmetmi v obrobkú; zoberte ich dole prv než začnete pracovať
- Vždy skontrolujte či je napájacie napätie rovnaké ako napätie uvedené na štítku nástroja
- **Neobrábajte materiál, ktorý obsahuje azbest** (azbest sa považuje za rakovinotvorný materiál)
- Neupevňujte nástroj do zveráka
- Používajte úplne odmotanú a bezpečnú predĺžovaciu šnúru s kapacitou 16 A
- Hlasitosť zapnutého prístroja môže byť viac aké 85 dB(A); chráňte si uši ochrannými krycimi prostriedkami
- Prach z materiálu, akým je náter obsahujúci olovo, niektoré druhy dreva, minerály a kovy môže byť škodlivý (styk alebo nadýchanie prachu môže spôsobiť alergické reakcie a/alebo respiračné ochorenia obsluhy a okolostojacich osôb); **používajte ochrannú masku tváre a pracujte so zariadením na odsávanie prachu, ak je takéto zariadenie možné pripojiť**
- Určité druhy prachu sú klasifikované ako karcinogénne (akým dubový a bukový prach), a to hlavne v spojení s prísadami pre úpravu dreva; **používajte ochrannú masku tváre a pracujte so zariadením na odsávanie prachu, ak je takéto zariadenie možné pripojiť**
- Dodržujte stanovené nariadenia pre prácu v prašnom prostredí
- Pri zapínaní do zástrčky sa vždy uistite, že nástroj je vypnutý

## POČAS PRÁCE

- Elektrický šnúru udržiajte vždy mimo pohybujúcich sa častí nástroja; elektrický šnúru vždy smerujte dozadu, mimo nástroja
- Nikdy nepoužívajte nástroj, ak je doska základne R ② (= ochranná doska) poškodená, dajte si poškodenú časť vymeniť kvalifikovanou osobou
- Nikdy nepoužívajte náradie s poškodeným káblom; kábel sa musí vymeniť za špeciálne pripravený kábel dostupný prostredníctvom servisného strediska.
- Keď je nástroj zapnutý, dajte pozor aby ste nemali ruky v blízkosti frézovacieho hrotu
- Nikdy nerezte hlbšie ako je maximálna dovolená hĺbka rezu pre daný hrot
- V prípade elektrickej alebo mechanickej poruchy zastavte okamžite nástroj a vyťahnite zástrčku z nástennej zásuvky
- Nástroj musíte ihneď vypnúť ak sa nehýbe hladko alebo je frézovací hrot zablokovaný
- V prípade prerušenej dodávky prúdu alebo náhodného odpojenia z elektrickej siete hneď okamžite vypnite nástroj, aby sa predišlo náhodnému zapnutiu
- Na nástroj nevyvíjajte taký tlak, ktorý spôsobí jeho zastavenie

## PO PRÁCI

- Keď dokončíte prácu, uvoľnite páčku J ②, nastavte nástroj späť do horného začiatočného stavu a h nástroj vypnite

## UVYŠTVENIE SYMBOLOV NA NÁSTROJI

- ③ Pred použitím si prečítajte návod na obsluhu
- ④ Dvojité izolácia (nevýžaduje sa uzemňovací kábel)
- ⑤ Nástroj nevyhadzujte do komunálneho odpadu

## POUŽITIE

- Montovanie/odmontovanie frézovacieho hrotu ⑥
  - ! vypnite nástroj a odpojte zo zástrčky**
  - ! dajte pozor aby bol hriadeľ hrotu úplne čistý**
  - ! dajte pozor aby sa upínacia vložka hodila veľkosťou (6 mm, 6,35 mm, 8 mm) na veľkosť hriadeľa hrotu**
  - otočte nástroj naopak
  - zamknite hriadeľ zatlačením poistky na hriadeľ A (podľa potreby otočte maticu B na upínacej vložke) a držte ju
- MONTOVANIE:
  - uvoľnite maticu upínacej vložky B s kľúčom na matice C
  - vložte hrot s málom miesta x do vložky ⑦
  - pevne pritiahnite maticu upínacej vložky firmy s kľúčom na matice C
  - uvoľnite poistku na hriadeľ A
- ODMONTOVANIE:
  - uvoľnite maticu upínacej vložky B s kľúčom na matice C
  - odstráňte hrot
  - uvoľnite poistku na hriadeľ A
- ! na uvoľnenie frézovacieho hrotu môže byť potrebné klepnúť na špičku frézovacieho hrotu pomocou kladiva a kúska dreva na ochranu hrotu**
- ! aby sa upínacia vložka nepoškodila nikdy nepritiahnite maticu upínacej vložky ak v nej nie je frézovací hrot**
- Výmena upínacích vložiek ⑦
  - ! vypnite nástroj a odpojte zo zástrčky**

## ! dajte pozor aby bol hriadeľ upínacej vložky úplne čistý

- uvoľnite maticu upínacej vložky B o 2 alebo 3 otáčky
- na maticu upínacej vložky B poklepte kľúčom C
- odstráňte maticu upínacej vložky B a upínaciu vložku (zamknite hriadeľ)
- otočte nástroj naopak
- na hriadeľ upínacej vložky vložte novú upínaciu vložku
- namontujte maticu upínacej vložky B (zamknite hriadeľ)
- ! aby sa upínacia vložka nepoškodila nikdy nepritiahnite maticu upínacej vložky ak v nej nie je frézovací hrot**
- Nastavenie frézovacej hĺbky ⑧
  - ! vypnite nástroj a odpojte zo zástrčky**
  - nastavte jemné nastavenie do stredovej polohy otáčaním gombíka E až do konca, potom otočte späť o 4 celé otáčky a nastavte stupnicu F na 0 ⑧a
  - hlavicu G otočte tak, aby jej najnižšia poloha zacvákla na svoje miesto priamo pod mierkou hĺbky D (na vynulovanie) ⑧b
  - uvoľnite gombík H tak, aby mierka hĺbky D klesla na hlavicu hĺbkovej zarážky G ⑧b
  - položte nástroj na obrábaný kus
  - povoľte zaisťovaciu páčku J ⑧c
  - stlačte nástroj smerom dole až kým sa frézovací hrot dotkne opracovaného kusu a pritiahnite krídlovú maticu ⑧d
  - uvoľnite a utiahnite zaisťovaciu páčku J ⑧e
  - presuňte rysku hĺbky AC na 0 mm ⑧f
  - zdvihnite mierku hĺbky D a o toľko mm, aká má byť požadovaná hĺbka frézovania, a utiahnite koliesko H ⑧f
  - povoľte zaisťovaciu páčku J a vedzte nástroj znova nahor
  - použite gombík jemného nastavenia E na presnejšie nastavenie hĺbky frézovania (0..±8 mm); značky na stupnici F zodpovedajú 0,1 mm, 1 celá otáčka zodpovedá 2,0 mm
  - pomocou hlavice hĺbkovej zarážky G je možné zvýšiť hĺbku frézovania po krokoch (odporúča sa pre hlboké rezy)
- ! po zmene špičiek frézy znova nastavte hĺbku frézovania**
- Kontrola rýchlosti ⑨
  - Na dosiahnutie optimálnych výsledkov frézovania rozličných materiálov
  - pomocou kolieska K nastavte frézovacie otáčky (aj pri spustenom nástroji)
  - ako referenciu na určenie správnych frézovacích otáčok použite tabuľku ⑩
  - pred začatím práce zistite optimálne otáčky testovaním na náhradnom materiáli
- ! po dlhšej práci pri nízkych otáčkach nechajte nástroj ochladiť na približne 3 minúty prevádzkou pri vysokých otáčkach a bez zaťaženia**
- LED-Kontrolka AD ⑪
  - LED-kontrolka AD sa zapne automaticky po stlačení spúšte M
- Odsávanie prachu
  - namontujte adaptér vysávača L podľa obrázku ⑫a
  - pripojte hadicu vysávača k adaptéru hadice vysávača L ⑫b
- Prevádzka nástroja ⑬
  - ! vždy držte nástroj pevne oboma rukami**

## ! počas práce vždy držte nástroj v oblasti sivého držadla(iel)

- položte nástroj na obrábaný kus
- zapnite stroj tak, že najprv stlačíte tlačidlo N (= bezpečnostný vypínač, ktorý nemôže byť zablokovaný) a potom potiahnete západku M

## ! prv než sa frézovací hrot dotkne opracovaného kusu by mal nástroj bežať pri plnej rýchlosti

- povoľte zaisťovaciu páčku J a pomaly stlačte nástroj smerom dole až kým mierka hĺbky D nedosiahne hlavicu hĺbkovej zarážky G
- utiahnite zaisťovaciu páku J
- prevedte frézovanie rovnomernou rýchlosťou
- nástroj používajte tak, aby základná doska ležala rovno na opracovanom kuse
- všeobecné pravidlo je, že nástroj by sa mal ťahať a nie tlačiť
- keď dokončíte prácu, uvoľnite páčku J a nastavte nástroj späť do horného začiatočného stavu
- uvoľnite vypínač M
- Správne smerovanie <sup>(14)</sup>
- nezabudnite, že frézovací hrot sa otáča v smere hodinových ručičiek
- smerujte nástroj tak aby sa hrot točil smerom do opracovaného kusu a nie preč od neho
- Montovanie dosky adaptéra P (na kopírovanie so šablónou) <sup>(15)</sup>
- Montovanie ohrady na rezanie Q <sup>(16)</sup>
- vložte tyče na ohradu Y cez otvory v doske základne R
- ohradu na rezanie posuňte na požadovanú šírku a upevnite ju pomocou 2 gombíkov Z
- Použitím ohrady na rezanie ako kruhového vodidla <sup>(17)</sup>
- ! ohradu na rezanie najprv obráťte naopak
- upevnite kolík AA upevnite pomocou krídlovej matice AB podľa obrázka
- tyče Y vložte do dosky základne R
- kolík AA zarazte do označeného stredú kruhového oblúka
- ohradu na rezanie upevnite pomocou 2 gombíkov Z
- nástroj vedte stálym posúvaním cez obrábaný kus
- Použitím ohrady na rezanie s kruhovou zarážkou W <sup>(18)</sup>
- kruhovú zarážku W (s namontovaným vodiacim valčekom) namontujte podľa obrázka
- nástroj vedte pozdĺž hrany obrábaného kusu ľahkým bočným tlakom

## RADA NA POUŽITIE

- Na rezanie v paralelnom smere ako je strana opracovaného kusu použite ohradu na rezanie
- Na rezanie v paralelnom smere v opracovanom kuse ďaleko od hrany <sup>(13)</sup>
- pripievajte rovný kus dreva dvomi svorkami na opracovaný kus
- usmernite nástroj so základnou doskou tak aby kryla hranu dreva, ktoré teraz slúži ako ohrada
- Keď používate hroty s vodiacim čapom alebo s guľičkovým ložiskom by sa čap alebo ložisko mali posúvať pozdĺž hrany opracovaného kusu, ktorý by mal byť úplne hladký <sup>(19)</sup>
- Pre väčšie frézovacie hĺbky sa odporúča aby sa previedlo niekoľko opakovaných rezov odoberajúcich menej z hĺbky kusu
- Ďalšie informácie nájdete na adrese [www.skil.com](http://www.skil.com)

## ÚDRŽBA / SERVIS

- Tento nástroj nie je vhodný pre profesionálne použitie
- Nástroj a sieťovú šnúru udržiajte stále čistou (zvlášť vetracie štrbiny S <sup>(2)</sup>)
- Občas namažte zasúvacie tyče T <sup>(2)</sup>
- Ak by nástroj napriek starostlivej výrobe a kontrole predsa len prestal niekedy fungovať, treba dať opravu vykonať autorizovanej servisnej opravovni elektrického náradia SKIL
- pošlite nástroj **bez rozmontovania** spolu s dôkazom o kúpe; vášmu dilerovi alebo do najbližšieho servisného strediska SKIL (zoznam adries servisných stredísk a servisný diagram nástroja sú uvedené na [www.skil.com](http://www.skil.com))
- Uvedomte si, že poškodenie spôsobené preťažením alebo nesprávnym zaobchádzaním bude zo záruky vylúčené (záručné podmienky spoločnosti SKIL nájdete na stránke [www.skil.com](http://www.skil.com) alebo si ich vyžiadajte u svojho predajcu)

## ŽIVOTNÉ PROSTREDIE

- **Elektrické náradie, príslušenstvo a balenia nevyhadzujte do komunálneho odpadu** (len pre štáty EÚ)
- podľa európskej smernice 2012/19/EG o nakladaní s použitými elektrickými a elektronickými zariadeniami a zodpovedajúcich ustanovení právnych predpisov jednotlivých krajín sa použité elektrické náradie musí zbierať oddelene od ostatného odpadu a podrobiť ekologicky šetrnej recyklácii
- pripomenie vám to symbol <sup>(5)</sup>, keď ju bude treba likvidovať

## HLUK / VIBRÁCIE

- Hladina akustického tlaku nameraná v súlade s normou EN 60745 je 91,0 dB(A) a hladina akustického výkonu je 102,0 dB(A) (neistota K = 3 dB) a vibrácie 4,5 m/s<sup>2</sup> (triaxový vektorový súčet; neistota K = 1,5 m/s<sup>2</sup>)
- Hladina emisií od vibrácií bola nameraná v súlade s normalizovaným testom uvedeným v norme EN 60745; môže sa používať na vzájomné porovnanie náradí a na predbežné posúdenie vystavenia účinkom vibrácií pri používaní náradia pre uvedené aplikácie
- používanie náradia na rôzne aplikácie, alebo v spojení s rôznymi alebo nedostatočne udržiavanými doplnkami môže značne **zvýšiť** úroveň vystavenia
- časové doby počas ktorých je je náradie vypnuté alebo počas ktorých náradie beží ale v skutočnosti nevykonáva prácu môžu značne **znižiť** úroveň vystavenia
- ! **chráňte sa pred účinkami vibrácií tak, že budete náradie a jeho príslušenstvo správne udržiavať, tak že nebudete pracovať so studenými rukami a tak že si svoje pracovné postupy správne zorganizujete**

HR

Glodalica

UVOD

- Alat je namienený glodaný zlihejbova, obradi rubova,

1860



profila te produbljivanju rupa u drvenim, plastičnim i lakim građevnim materijalima, kao i kopiranju

- Ovaj uređaj nije namijenjen profesionalnoj upotrebi
- Pažljivo pročitajte i sačuvajte ove upute za rukovanje ③

## TEHNIČKI PODACI ①

### DIJELOVI ALATA ②

- A Brava glodala
- B Matica stezne čeljusti
- C Ključ
- D Graničnik dubine bušenja
- E Vijak za fino ugađanje
- F Skala za fino ugađanje
- G Graničnika dubine - obujmice
- H Gumb za ugađanje (graničnik dubine bušenja)
- J Ručica za zaključavanje
- K Kotačić za odabir brzine
- L Priključak usisavača prašine
- M Okidač za pokretanje/zaustavljanje
- N Sigurnosni prekidač
- P Adapterska ploča
- Q Bočni graničnik
- R Osnovna ploča
- S Otvori za strujanje zraka
- T Tračnice
- V Zaštitni poklopac
- W Zavinuta šablona
- Y Šipke bočnog graničnika
- Z Gumb za podešavanje graničnika
- AA Klin bočnog graničnika
- AB Matica bočnog graničnika
- AC Štitnik za dubinu
- AD LED lampica

## SIGURNOST

### OPĆA SIGURNOSNA UPOZORENJA ZA ELEKTRIČNE ALATE

**⚠ UPOZORENJE** Pročitajte sva sigurnosna upozorenja, upute, ilustracije i specifikacije isporučene s ovim električnim alatom. Zbog nepridržavanja svih uputa koje su navedene u nastavku može doći do nastanka strujnog udara, požara i/ili teške ozljede.

**Sva upozorenja i upute sačuvajte kao referencu za buduće upotrebe.**

U daljnjem tekstu korišten pojam "električni alat" odnosi se na električne alate s priključkom na električnu mrežu (s mrežnim kabelom) i na električne alate s napajanjem iz aku baterije (bez mrežnog kabela).

#### 1) SIGURNOST NA RADNOM MJESTU

- a) **Vaše radno područje održavajte čisto i uredno.** Nered ili neosvijetljeno radno područje mogu doći do nezgoda.
- b) **S uređajem ne radite u okolini ugroženoj eksplozijom, u kojoj se nalaze zapaljive tekućine, plinovi ili prašina.** Električni alati proizvode iskre koje mogu zapaliti prašinu ili pare.

- c) **Djecu i ostale osobe držite dalje tijekom korištenja električnog alata.** Ako bi skrenuli pozornost sa posla mogli bi izgubiti kontrolu nad uređajem.

#### 2) ELEKTRIČNA SIGURNOST

- a) **Priključni utikač uređaja treba odgovarati utičnici.** Na utikaču se ni u kojem slučaju ne smiju izvoditi izmjene. Ne koristite adapterske utikače zajedno sa uređajima koji su zaštićeni uzemljenjem. Originalni utikač i odgovarajuće utičnice smanjuju opasnost od električnog udara.
- b) **Izbjegavajte dodir tijela s uzemljenim površinama kao što su cijevi, centralno grijanje, štednjaci i hladnjaci.** Postoji povećana opasnost od električnog udara ako je vaše tijelo uzemljeno.
- c) **Držite uređaj dalje od kiše ili vlage.** Prodiranje vode u električni uređaj povećava opasnost od električnog udara.
- d) **Priključni kabel ne koristite za nošenje, vješanje ili za izvlačenje utikača iz utičnice.** Držite kabel dalje od izvora topline, ulja, oštih rubova ili pomičnih dijelova uređaja. Oštećen ili usukan kabel povećava opasnost od električnog udara.
- e) **Ako s električnim uređajem radite na otvorenom, koristite samo produžni kabel odobren za uporabu na otvorenom.** Primjena produžnog kabela prikladnog za uporabu na otvorenom smanjuje opasnost od električnog udara.
- f) **Ako se ne može izbjeći uporaba električnog alata u vlažnoj okolini, upotrijebite sigurnosna sklopka za propuštanje u zemlju.** Upotrebom sigurnosne sklopke za propuštanje u zemlju smanjuje se opasnost od električnog udara.

#### 3) SIGURNOST LJUDI

- a) **Budite oprezni, pazite što činite i postupajte razumno kod rada s električnim alatom.** Ne koristite uređaj ako ste umorni ili pod utjecajem opojnih sredstava, alkohola ili lijekova. Trenutak nepažnje kod uporabe uređaja može doći do ozbiljnih ozljeda.
- b) **Nosite sredstva osobne zaštite i uvijek zaštitne naočale.** Nošenje sredstava osobne zaštite, kao što je zaštitna maska, sigurnosne cipele koje ne klize, zaštitne kacige ili štitnika za sluh, ovisno od vrste i primjene električnog alata, smanjuje opasnost od nezgoda.
- c) **Izbjegavajte nehotično puštanje u rad. Prije nego što ćete utaknuti utikač u utičnicu i/ili staviti aku-bateriju, provjerite je li električni alat isključen.** Ako kod nošenja električnog alata imate prst na prekidaču ili se uključen uređaj priključi na električno napajanje, to može dovesti do nezgoda.
- d) **Prije nego što uređaj uključite, uklonite alate za podešavanje ili vijčane ključeve.** Alat ili ključ koji se nalazi u rotirajućem dijelu uređaja može doći do nezgoda.
- e) **Ne precjenjujte svoje sposobnosti. Zauzmite siguran i stabilan položaj tijela i držite u svakom trenutku ravnotežu.** Na taj način možete uređaj bolje kontrolirati u neočekivanim situacijama.
- f) **Nosite prikladnu odjeću. Ne nosite široku odjeću ili nakit. Kosu i odjeću držite dalje od pomičnih dijelova.** Široku odjeću, dugu kosu ili nakit mogu zahvatiti pomični dijelovi.
- g) **Ako se mogu montirati naprave za usisavanje i hvatanje prašine, provjerite da li su iste priključene i da li se pravilno koriste.** Primjena naprave za

usisavanje može smanjiti ugroženost od prašine.

- h) **Nemojte postati previše bezbrižni i zanemariti sigurnosne upute zato što alat često upotrebljavate i smatrate da ste ga dobro upoznali.** Samo jedan trenutak nepažnje dovoljan je za nastanak ozbiljnih ozljeda.

#### 4) BRIŽLJIVA UPORABA ELEKTRIČNIH ALATA

- a) **Ne preopterećujte uređaj. Koristite za vaše radove za to predviđen električni alat.** S odgovarajućim električnim alatom radit ćete bolje i sigurnije, u navedenom području učinka.
- b) **Ne koristite električni alat čiji je prekidač neispravan.** Električni alat koji se više ne može uključiti ili isključiti, opasan je i treba se popraviti.
- c) **Alat prije podešavanja, izmjene pribora i odlaganja isključite iz izvora napajanja i/ili izvadite komplet baterije, ako se vadi iz uređaja.** Ovim mjerama opreza izbjeći će se nehotično uključivanje električnog alata.
- d) **Nekorištene električne alate spremite izvan dosega djece. Ne dopustite da uređaj koriste osobe koje s njim nisu upoznate ili koje nisu pročitale upute za uporabu.** Električni alati su opasni ako ih koriste neiskusne osobe.
- e) **Redovno održavajte električne alate i pribor. Kontrolirajte da li pomični dijelovi uređaja besprijekorno rade i da nisu zaglavljani, te da li su dijelovi polomljeni ili tako oštećeni da negativno djeluju na funkciju uređaja. Popravite oštećene dijelove prije uporabe uređaja.** Mnoge nezgode imaju svoj uzrok u loše održanim uređajima.
- f) **Rezne alate održavajte oštrim i čistim.** Pažljivo održavani rezni alati s oštrim oštricama neće se zaglaviti i lakši su za vođenje.
- g) **Koristite električne alate, pribor, radne alate, itd., prema navedenim uputama. Pri tome uzmite u obzir radne uvjete i radove koje se izvode.** Uporaba električnih alata za neke druge primjene različite od predviđenih, može doći do opasnih situacija.
- h) **Ručke i zahvatne površine održavajte suhima, čistima i pazite da na njih ne dospiju ulje ili mast.** Skliske ručke i zahvatne površine onemogućuju sigurno rukovanje i alat se teško kontrolira u neočekivanim situacijama.
- 5) **SERVISIRANJE**
- a) **Popravlak uređaja prepustite samo kvalificiranom stručnom osoblju i samo s originalnim rezervnim dijelovima.** Na taj će se način postići održanje stalne sigurnosti uređaja.

#### UPUTE ZA SIGURAN RAD S GLODALICAMA

- **Uređaj držite samo na izoliranim ručkama jer rezač može doći u dodir s vlastitim kabelom** (rezanje vodova pod naponom može metalne dijelove električnog alata staviti pod napon, a rukovatelj bi mogao pretrpjeti električni udar)
- **Koristite stezaljke ili drugi praktičan način za učvršćenje i potporu izratka na stabilnoj platformi** (držanje rada rukom ili njegovo naslanjanje na tijelo čini ga nestabilnim i može dovesti do gubitka kontrole)

#### OPĆENITO

- Uređaj ne bi smjele koristiti osobe mlađe od 16 godina
- Prije svih radova održavanja, podešavanja ili izmjene

alata i pribora treba izvući utikač iz mrežne utičnice

#### PRIBOR

- SKIL može osigurati besprijekoran rad uređaja samo ako se koristi originalni pribor
- Upotrebljavajte pribor čija dopuštena brzina odgovara najvećoj brzini alata u praznom hodu
- Ne upotrebljavajte oštećena ili deformirana glodala
- Upotrebljavajte samo oštra glodala
- Dodatnu opremu zaštitite od udaraca, potresanja i zamašćivanja
- S ovim alatom upotrebljavajte samo HSS ili karbidna glodala

#### PRIJE UPORABE

- Izbjegavajte oštećenja od vijaka, čavala i sličnih predmeta na vašem izratku; prije početka rada ih izvadite
- Uvijek provjerite je li napon napajanja isti kao onaj naveden na tipskoj pločici uređaja
- **Ne obrađujte materijal koji sadrži azbest** (azbest se smatra kancerogenim)
- Ne pritežite uređaj u škripac
- Upotrebljavajte samo neodmotane i zaštićene produžne kabele kapaciteta 16 ampera
- Razina buke kod rada može premašiti 85 dB(A); nositi štitičke za sluh
- Prašina od materijala kao što su boje koje sadrže olovo, neke vrste drvca, minerali i metal mogu biti opasne (dodir s prašinom ili njeno udisanje mogu prouzročiti alergijske reakcije i/ili respiratorna oboljenja rukovatelja ili posmatrača); **nosite masku za zaštitu od prašine i radite s uređajem za ekstrakciju prašine ukoliko ga možete priključiti**
- Određene vrste prašine klasificiraju se kao karcinogenske (kao što su prašina hrastovine i bukovine), osobito u sudejstvu s aditivima za kondicioniranje drveta; **nosite masku za zaštitu od prašine i radite s uređajem za ekstrakciju prašine ukoliko ga možete priključiti**
- Nacionalni uvjeti za materijale s kojima želite raditi
- Kod priključka osigurati da uređaj bude isključen

#### TIJEKOM UPORABE

- Kabel uvijek držati dalje od rotirajućih dijelova uređaja; kabel povlačiti iza uređaja
- Nikad ne upotrebljavajte alat kad je osnovna ploča R ② (=zaštitna površina) oštećena; neka je zamijeni kvalificirana osoba
- Nikada ne upotrebljavajte alat ako je kabel oštećen; trebate ga zamijeniti posebno pripremljenim kabelom, pripremljenim u servisnoj službi.
- Ruke i prste držite podalje od glodala kad je alat uključen
- Pri obradi nikad ne prelazite najveću dubinu zahvata glodala
- U slučaju neuobičajenog ponašanja uređaja ili neobičnih šumova, uređaj treba odmah isključiti i izvući utikač iz mrežne utičnice
- U slučaju da je glodalo blokirano i uzrokuje trzanje alata, odmah isključite alat
- U slučaju trenutačnog prekida ili slučajnog izvlačenja utikača iz utičnice, odmah isključite alat kako biste spriječili nekontrolirano ponovno uključivanje
- Ne djelovati tolikim pritiskom na uređaj kod rada da se on zaustavi pod opterećenjem

#### NAKON UPORABE

- Po završetku rada otpustiti ručicu J ②, pomaknite alat natrag u gornji početni položaj i isključite alat

## POJAŠNJENJE SIMBOLA NA UREĐAJU

- ③ Prije upotrebe pročitajte korisnički priručnik
- ④ Dvostruka izolacija (dozemna žica nije potrebna)
- ⑤ Uređaj ne bacajte u kućni otpad

## POSLUŽIVANJE

- Ugradnja/uklanjanje glodala ⑥
  - ! **isključite uređaj i odspojite utikač**
  - ! **provjerite je li držak glodala besprijekorno čist**
  - ! **provjerite odgovara li promjer stezne čeljusti (6 mm, 6,35 mm, 8 mm) debljini drška glodala**
  - okrenite alat naopak
  - zaključajte glodalo tako da bravu glodala A (po potrebi zaokrenite maticu stezne čeljusti B) pritisnete i zadržite pritisnutu dok
- ZA UGRADNJU:
  - otpustite maticu stezne čeljusti B pomoću ključa za odvijanje C
  - umetnite svrdlo i ostavite malo prostora x u steznoj čeljusti ⑦
  - čvrsto pritegnite maticu stezne čeljusti pomoću ključa za odvijanje C
  - pustite bravu glodala A
- ZA UKLANJANJE:
  - otpustite maticu stezne čeljusti B pomoću ključa za odvijanje C
  - uklonite glodalo
  - pustite bravu glodala A
- ! **da biste olabavili glodalo, možda ćete trebati lupnuti po vrhu svrdla glodala koristeći se čekićem i komadom drva radi zaštite svrdla**
- ! **nikad ne pritežite maticu stezne čeljusti ako u čeljusti nema glodala; mogli biste oštetiti steznu čeljust**
- Promjena steznih čeljusti ⑦
  - ! **isključite uređaj i odspojite utikač**
  - ! **provjerite je li stezna čeljust glodala besprijekorno čista**
  - otpustite maticu stezne čeljusti B za 2 ili 3 okreta
  - lagano udarite maticu stezne čeljusti B ključem za odvijanje C
  - uklonite maticu stezne čeljusti B i steznu čeljust (brava držača)
  - okrenite alat naopak
  - umetnite novu steznu čeljust u držač čeljusti
  - pričvrstite maticu stezne čeljusti B (brava držača)
- ! **nikad ne pritežite maticu stezne čeljusti ako u čeljusti nema glodala; mogli biste oštetiti steznu čeljust**
- Ugađanje dubine glodanja ⑧
  - ! **isključite uređaj i odspojite utikač**
  - postavite fino ugađanje na središnji položaj zakrećući vijak E do kraja, zatim se vratite 4 puna okreta natrag i postavite skalul F na 0 ⑧a
  - okrenite obujmicu G tako da najniži položaj uskoči na mjesto odmah ispod mjerača dubine D (za nuliranje) ⑧b
  - otpustite vijak H tako da mjerač visine D padne na graničnik dubine-obujmicu G ⑧b
  - smjestite alat na predmet koji izrađujete
  - otpustite ručicu za zaključavanje J ⑧c
  - alat pritišćite prema dolje sve dok glodalo ne dodirne

- predmet koji obrađujete ⑧d
- otpustite i zategnite ručicu za zaključavanje J ⑧e
- pomaknite štitnik za dubinu AC na 0 mm ⑧f
- podignite mjerač dubine D prema željenoj dubini glodanja i stegnite vijak H ⑧f
- otpustite ručicu za zaključavanje J i ponovo usmjerite alat prema gore
- upotrijebite vijak za fino ugađanje E kako biste precizno namjestili dubinu glodanja (0...±8 mm); oznake na skali F odgovaraju 0,1 mm, 1 puni okret odgovara 2,0 mm
- pomoću graničnika dubine obujmice G možete povećati dubinu glodanja u koracima (preporuča se za duboke rezove)
- ! **ponovno podesite dubinu glodanja nakon promjene svrdla**
- Kontrola brzine ⑨
  - ZA optimalne rezultate glodanja na različitim materijalima - pomoću kotačića K odaberite brzinu glodanja (to je moguće napraviti i tijekom rada alata)
  - kao referencu za određivanje pravilne brzine glodanja upotrijebite tablicu ⑩
  - prije započinjanja s radom pronađite optimalnu brzinu isprobavajući brzine na suvišnom materijalu
- ! **nakon dužih razdoblja rada pri nižim brzinama ohladite alat tako da mu omogućite da otprilike 3 minute radi pri velikoj brzini bez opterećenja**
- LED lampica AD ⑪
  - Lampica LED AD automatski zasvijetli kada se pokrene okidač M
- Usisavanje prašine
  - priključak usisavača prašine L montirati kako je prikazano ⑫a
  - priključite crijevo usisavača na prilagodnik usisavača L ⑫b
- Posluživanje uređaja ⑬
  - ! **alat uvijek čvrsto držite objema rukama**
  - ! **alat kod primjene, držati samo na sivo označenim područjima**
  - smjestite alat na predmet koji izrađujete
  - uključiti uređaj prvo pritiskom palcem na gumb N (= sigurnosni prekidač koji se ne može zaglaviti) i zatim povući okidač M
  - ! **prije nego što glodalica dosegne predmet koji obrađujete, alat bi trebao raditi pri punoj brzini**
  - otpustite ručicu za zaključavanje J i polako potisnite alat prema dolje dok mjerač dubine D ne dođe do graničnika dubine – obujmice G
  - stegnite ručicu za zaključavanje J
  - izvršite postupak glodanja primjenjujući jednoličan posmak
  - upotrebljavajte alat dok mu je osnovna ploča ravno položena na predmet koji obrađujete
  - osnovno pravilo je da se alat treba vući, a ne gurati
  - po završetku rada otpustiti ručicu J i pomaknite alat natrag u gornji početni položaj
  - otpustite prekidač M
- Pravilno vođenje ⑭
  - imajte na umu da se glodalo okreće u smjeru kazaljke na satu
  - vodite alat tako da glodalo ulazi u predmet koji obrađujete, a ne od njega
- Ugradnja ploče za adaptiranje P (za kopiranje s predloškom) ⑮

- Ugradnja vodilice glodala Q <sup>16</sup>
  - provucite šipke vodilice glodala Y kroz rupe na osnovnoj ploči R
  - pomaknite vodilicu glodala do željene širine i pričvrstite je pomoću 2 vijka Z
- Upotreba vodilice glodala kao kružne vodilice <sup>17</sup>

**! prvo okrenite vodilicu glodala**

  - pričvrstite klin AA maticom AB kako je prikazano
  - umetnite šipke Y u osnovnu ploču R
  - provucite klin AA kroz označeno središte kružnog luka
  - pričvrstite vodilicu glodala pomoću 2 vijka Z
  - alat ujednačenim posmakom vodite preko predmeta koji obrađujete
- Upotreba vodilice glodala pomoću zavinute šablone W <sup>18</sup>
  - montirajte zavinutu šablonu W (s montiranim kotačićima vodilice) kao na ilustraciji
  - laganim bočnim pritiskom vodite alat duž ruba predmeta koji obrađujete

## SAVJETI ZA PRIMJENU

- Za ureze paralelne sa stranicom predmeta koji obrađujete upotrijebite vodilicu glodala
- Za izradu paralelnih ureza u predmetu koji obrađujete daleko od ruba <sup>13</sup>
  - na predmet koji obrađujete pomoću 2 škripca pričvrstite ravan komad drva
  - vodite alat s osnovnom pločom smještenom duž ruba drva koje sad ima funkciju vodilice glodala
- Kad glodala koristite s valjkastim ili kugličnim ležajem, ležaj treba kliziti duž ruba predmeta koji bi trebao biti savršeno gladak <sup>19</sup>
- Za veće dubine glodanja preporučuje se izvođenje nekoliko uzastopnih ureza s manjim zahvatima
- Više informacija navedeno je na mrežnom mjestu [www.skil.com](http://www.skil.com)

## ODRŽAVANJE / SERVISIRANJE

- Ovaj uređaj nije namijenjen profesionalnoj upotrebi
- Održavajte čistim uređaj i kabel (osobito otvore za hlađenje S <sup>2</sup>)
- Povremeno podmažite tračnice T <sup>2</sup>
- Ako bi uređaj unatoč brižljivih postupaka izrade i ispitivanja ipak prestao raditi, popravak treba prepustiti ovlaštenom servisu za SKIL električne alate
  - uređaj treba **nerastavljeno** predati, zajedno s računom o kupnji u najbližu SKIL ugovornu servisnu radionicu (popise servisa, kao i oznake rezervnih dijelova uređaja možete naći na adresi [www.skil.com](http://www.skil.com))
- Imajte na umu kako jamstvo ne obuhvaća štete nastale zbog preopterećenja ili nepravilnog rukovanja alatom (za uvjete iz SKIL jamstva, posjetite [www.skil.com](http://www.skil.com) ili upitajte svog prodavača)

## ZAŠTITA OKOLIŠA

- **Električne alate, pribor i ambalažu ne bacajte u kućni otpad** (samo za EU-države)
  - prema Europskoj direktivi 2012/19/EG o staroj električnoj i elektroničkoj opremi i njenoj primjeni u skladu sa nacionalnim zakonom, istrošeni električni alati moraju se sakupljati odvojeno i odvesti u posebne pogone za reciklažu

- na to podsjeća simbol <sup>5</sup> kada se javi potreba za odlaganjem

## BUKA / VIBRACIJA

- Mjerene u skladu s normom EN 60745, razina zvučnog tlaka ovoga alata je 91,0 dB(A), razina zvučne snage 102,0 dB(A) (nesigurnost K = 3 dB), a vibracija 4,5 m/s<sup>2</sup> (troaksijalna vektorska suma; nesigurnost K = 1,5 m/s<sup>2</sup>)
- Razina emitiranja vibracija izmjerena je sukladno normiranom testu danom u EN 60745; ona se može koristiti za usporedbu jedne alatke s drugom, te preliminarnu procjenu izloženosti vibracijama pri uporabi alatke za navedene namjene
  - uporaba ove alatke za druge namjene ili s drugim ili slabo održavanim nastavcima, može u značajnoj mjeri **uvećati** razinu izloženosti
  - vrijeme tokom kojega je alatka isključena, ili je uključena ali se njome ne radi, može značajno **umanjiti** razinu izloženosti
- ! zaštitite se od posljedica vibracija održavanjem alatke i njezinih nastavaka, održavanjem Vaših ruku toplima, te organiziranjem Vaših obrazaca rada**

(SRB)

## Glodalica

1860

## UPUTSTVO

- Ovaj električni alat je namijenjen za glodanje žlebova, ivica, profila i produženih rupa u drvetu, plastici i materijalima lake građe, kao i za kopirno glodanje
- Ovaj alat nije namijenjen za profesionalnu upotrebu
- Pažljivo pročitajte i sačuvajte ova uputstva za rukovanje <sup>3</sup>

## TEHNIČKI PODACI <sup>1</sup>

### ELEMENTI ALATA <sup>2</sup>

- A Brava osovine
- B Zavrtnaj koluta
- C Ključ
- D Merač dubine
- E Dugme za fino podešavanje
- F Skala za fino podešavanje
- G Postolje za ograničavanje dubine
- H Dugme za podešavanje (graničnik dubine)
- J Poluga za zaključavanje
- K Toččić za biranje brzine
- L Adapter za usisivač
- M Prekidač za uključivanje/isključivanje
- N Sigurnosni prekidač
- P Pločica adaptera
- Q Bočna ograda
- R Osnovna ploča
- S Prorezi za hlađenje
- T Klizne šipke
- V Zaštitni poklopac
- W Odbojnik za zakrpljenja
- Y Šipke bočne ograde
- Z Dugme za podešavanje bočne ograde

- AA Klin bočne ograde
- AB Navrtka bočnog graničnika
- AC Vizir dubine
- AD LED-svetlo

## SIGURNOST

### OPŠTA SIGURNOSNA UPOZORENJA ZA ELEKTRIČNI ALAT

**⚠ UPOZORENJE** Pročitajte sva bezbednosna upozorenja, uputstva, ilustracije i specifikacije priložene uz ovaj električni alat. Ukoliko se ne slede sva uputstva navedena u nastavku može doći do strujnog udara, požara i/ili ozbiljne povrede.

### Sačuvajte sva upozorenja i uputstva za buduću upotrebu.

Pojam upotrebljen u upozorenjima "električni alat" odnosi se na električne alate sa radom na mreži (sa mrežnim kablom) i na električne alate sa radom na akumulator (bez mrežnog kabla).

#### 1) SIGURNOST NA RADNOM MESTU

- a) **Držite Vaše područje rada čisto i pospremljeno.** Nered ili neosvetljena radna područja mogu voditi nesrećama.
- b) **Ne koristite električni alat tamo gde postoji opasnost od eksplozije kao npr. u prisustvu zapaljivih tečnosti, gasova ili prašine.** Električni alati proizvode varnice, koje mogu zapaliti prašinu ili isparenja.
- c) **Za vreme korišćenja električnog alata držite podalje decu i druge osobe.** Kod skretanja možete izgubiti kontrolu nad alatom.

#### 2) ELEKTRIČNA SIGURNOST

- a) **Utikač električnog alata mora odgovarati utičnici.** Nikada nemojte modifikovati utikač. Ne upotrebljavajte adaptere utikača sa uzemljenim električnim alatom. Nemodifikovani utikači i odgovarajuće utičnice smanjuju rizik od električnog udara.
- b) **Izbegavajte telesni kontakt sa uzemljenim gornjim površinama, kao što su cevi, grejanja, šporeti i rashladni ormani.** Postoji povećani rizik od električnog udara, ako je Vaše telo uzemljeno.
- c) **Ne izlažite električni alat kiši ili vlažnim uslovima.** Prodor vode u električni alat povećava rizik od električnog udara.
- d) **Ne zloupotrebljavajte kabl.** Nikada nemojte koristiti kabl za nošenje i vučenje električnog alata ili za izvlačenje iz utičnice. Držite kabl dalje od vreline, ulja, oštih ivica ili pokretnih delova. Oštećeni ili umršeni kablovi povećavaju rizik električnog udara.
- e) **Ako sa nekim električnim alatom radite u prirodi, upotrebljavajte samo produžne kablove koji su dozvoljeni za spoljno područje.** Upotreba produžnog kabla pogodnog za spoljno područje smanjuje rizik od električnog udara.
- f) **Ako rad električnog alata ne može da se izbegne u vlažnoj okolini, koristite prekidač strujne zaštite pri kvaru.** Upotreba prekidača strujne zaštite pri kvaru smanjuje rizik od električnog udara.

#### 3) SIGURNOST OSOBA

- a) **Budite oprezni, pazite na to šta radite i razumno rukujte Vašim električnim alatom.** Ne koristite električni alat dok ste umorni ili pod uticajem narkotika, alkohola ili lekova. Momenat nepažnje kod upotrebe električnog alata može rezultirati ozbiljnim povredama.
  - b) **Nosite ličnu zaštitnu opremu i uvek zaštitne naočare.** Nošenje lične zaštitne opreme, kao maske za prašinu, sigurnosne cipele koje ne klizaju, zaštitni šlem ili zaštitu za sluh, zavisno od vrste i upotrebe električnog alata, smanjujete rizik od povreda.
  - c) **Sprečite nenamerno puštanje u rad. Pre priključivanja na struju i/ili na akumulatorsku bateriju, podizanja ili nošenja alata uverite se da je prekidač isključen.** Nošenje električnog alata sa prstom na prekidaču ili priključivanje na struju uključenog električnog alata vodi do nesreće.
  - d) **Uklonite bilo kakve ključeve za podešavanje ili ključeve za zavrtanje, pre nego što uključite električni alat.** Ostavljanje ključa za zavrtanje ili ključa prikačene na rotirajući deo električnog alata može rezultirati ličnom povredom.
  - e) **Ne zauzimajte neadekvatan položaj. Sve vreme držite ravnotežu i pravilan položaj nogu.** Ovo omogućava bolje upravljanje električnim alatom u neočekivanim situacijama.
  - f) **Nosite pogodno odelo. Ne nosite široko odelo ili nakit.** Držite kosu i odeću dalje od pokretnih delova. Opušteno odelo, nakit ili duža kosa mogu biti zahvaćeni od rotirajućih delova.
  - g) **Ako se mogu montirati uredjaji za usisavanje prašine i uredjaji za hvatanje prašine, uverite se da li su priključeni i ispravno koriste.** Upotreba usisavanja prašine može smanjiti opasnosti od prašine.
  - h) **Ne dozvolite da pouzdanje koje ste stekli čestim upotrebom alata utiče na to da postanete neoprezni i da zanemarite sigurnosne principe za upotrebu alata.** Neoprezno delovanje može prouzrokovati teške povrede u deliću sekunde.
- #### 4) BRIŽLJIVO OPHODNENJE I KORIŠĆENJE ELEKTRIČNIH ALATA
- a) **Ne preopterećujte električni alat. Koristite električni alat koji odgovara Vašoj primeni.** Sa odgovarajućim električnim alatom radite bolje i sigurnije tempom za koji je projektovan.
  - b) **Ne upotrebljavajte električni alat, čiji je prekidač u kvaru.** Električni alat koji više ne može da se uključi ili isključi je opasan i mora da se popravi.
  - c) **Izvučite utikač iz utičnice i/ili izvadite akumulatorsku bateriju, ukoliko je to moguće, iz električnog alata pre nego što izvršite bilo kakva podešavanja, promenu pribora ili pre nego što uskladištite električni alat.** Takve preventivne sigurnosne mere smanjuju rizik od slučajnog pokretanja električnog alata.
  - d) **Čuvajte električne alate koje ne koristite izvan domašaja dece i ne dozvoljavajte osobama, koje nisu upoznate sa ovim električnim alatom ili sa ovim uputstvima, da rukuju električnim alatom.** U rukama neobučenih korisnika električni alati postaju opasni.
  - e) **Održavajte električni alat i pribore. Proverite da li su pokretni delovi u ravni i da li negde zapinju, da nije došlo do lomljenja delova i svako drugo stanje**

koje može uticati na rad električnog alata. Ukoliko je oštećen, odnesite električni alat na popravku pre korišćenja. Mnoge nesreće su prouzrokovane lošim održavanjem električnih alata.

- f) **Držite alate za sečenja oštre i čiste.** Brižljivo negovani alati za sečenje sa oštrim sečivima manje slepljuju i lakše se vode.
- g) **Upotrebljavajte električne alate, pribor, alate koji se umeću itd. prema ovim uputstvima. Obratite pažnju pritom na uputstva za rad i posao koji treba izvesti.** Upotreba električnih alata za druge od propisanih namena može voditi opasnim situacijama.
- h) **Održavajte drške i prihvatne površine suvim, čistim i bez ostataka ulja ili masnoće.** Klizave drške ili prihvatne površine ne omogućavaju bezbedno rukovanje i upravljanje alatom u neočekivanim situacijama.

#### 5) SERVISIRANJE

- a) **Vaš električni alat dajte na servisiranje samo kvalifikovanom licu za popravku, koristeći pritom samo identične rezervne delove.** Ovo će osigurati očuvanje bezbednosti električnog alata.

#### UPUTSTVA ZA BEZBEDAN RAD SA GLODALICOM

- **Hvatajte električni alat za izolovane hvataljke zato što rezač može da dodirne svoj kabl** (presecanje žice pod naponom može da izloži metalne delove električnog alata naponu i izazove električni udar kod rukovaoca)
- **Upotrebite stezaljke ili na drugi praktičan način učvrstite i poduprite radni predmet na stabilnu platformu** (ako radni predmet držite rukom ili ga oslonite o telo, on tada nije stabilan i može doći do gubitka kontrole)

#### OPŠTA

- Ovaj alat ne treba da koriste osobe ispod 16 godina
- Obavezno iskopčajte alat iz električne utičnice pre nego što izvršite bilo kakva podešavanja ili zamenu pribora

#### PRIBOR

- SKIL može priznati garanciju samo ukoliko je korišćen originalni pribor
- Koristite samo pribor čija je dozvoljena brzina u najmanju ruku jednaka najvećoj brzini pri praznom hodu električnog alata
- Nemojte da koristite oštećena ili deformisana glodala
- Koristite samo oštra glodala
- Zaštitite pribor od potresa, udara i masnih površina
- Uz ovaj alat koristite samo glodala od čelika visoke tvrdoće (HSS) ili glodala sa vrhom od karbida (CT)

#### PRE UPOTREBE

- Izbegavajte oštećenja od šrafova, eksera i drugih predmeta na vašem području rada; uklonite ih pre nego što započnete rad
- Uvek se уверite da je napon struje isti kao i napon naveden na pločici sa nazivom alatu
- **Ne obradjujte nikakav materijal koji sadrži azbest** (azbest važi kao izazivač raka)
- Nemojte da pričvršćujete alat u stegu
- Produžni kabl koji koristite mora da bude sasvim odmotan i siguran, sa kapacitetom od 16 A
- Buka koju alat proizvodi tokom rada može da premaši 85 dB(A); nosite zaštitu za sluh
- Prašina od materijala, kao što su boja koja sadrži olovo, neke vrste drveta, minerali i metal, može biti opasna (dodir ili udisanje prašine može prouzrokovati alergijske reakcije i/ili respiratorna oboljenja rukovaoca i lica u

blizini); **nosite masku protiv prašine i radite uz uključeni uređaj za ekstrakciju prašine kada radite na mestima gde ju je moguće priključiti**

- Određene vrste prašine su klasifikovane kao kancerogene (kao što su prašina hrastovine i bukovine), posebno u sadejstvu sa aditivima za pripremu drveta; **nosite masku protiv prašine i radite uz uključeni uređaj za ekstrakciju prašine kada radite na mestima gde ju je moguće priključiti**
- Prati nacionalne propise vezane za prašinu koja se proizvodi prilikom rada na obrađivanim materijalima
- Proverite da li je alat isključen kada ga pripokčavate u utičnicu

#### TOKOM UPOTREBE

- Kabl uvek držite podalje od pokretnih delova alata; uvek ga treba držati iza alata
- Nikada nemojte da koristite alat ako je oštećena osnovna ploča R ② (=zaštitni mehanizam); zamenu mora da obavi stručno lice
- Nikada nemojte koristiti alat kada je kabl oštećen; on mora da se zameni posebnim kablom koji je dostupan u servisnoj organizaciji.
- Prste i ruke držite podalje od glodala kada je alat uključen
- Nemojte nikada da predete maksimalnu dubinu za glodanje pri radu
- U slučaju da dođe do električnog ili mehaničkog kvara, odmah isključite alat i iskopčajte ga iz utičnice
- U slučaju da se glodalo blokira, što rezultira trzanjem alata, odmah ga isključite
- U slučaju da dođe do nestanka struje ili ako se kabl slučajno iskopča, odmah isključite alat, da biste sprečili ponovno nekontrolisano uključivanje
- Nemojte mnogo da pritisakate električni alat da ne bi došlo do prestanka rada

#### NAKON UPOTREBE

- Nakon što završite rad, otpustite ručicu J ②, povucite alat unazad u gornji početni položaj i isključite ga

#### OBJAŠNJENJE SIMBOLA NA ALATU

- ③ Pročitajte uputstvo za korišćenje pre prve upotrebe
- ④ Dvostruka izolacija (nije potrebna žica za uzemljenje)
- ⑤ Alat ne odlažite u kućne otpatke

#### UPUTSTVO ZA KORIŠĆENJE

- Postavljanje/uklanjanje glodala ⑥
  - ! **isključite alat i iskopčajte ga iz utičnice**
  - ! **proverite da li je osovina glodala potpuno čista**
  - ! **proverite da li veličina stezne čeljusti (6 mm, 6,35 mm, 8 mm) odgovara veličini osovine glodala**
  - okrenite alat naopačke
  - zaključajte osovinu pomeranjem brave osovine A (zarotirajte zavrtanj stezne čeljusti B, ukoliko je potrebno) i držite je dok
- ZA POSTAVLJANJE:
  - odvrnite zavrtanj stezne čeljusti B ključem C
  - ubacite bit sa malo prostora x u čeljusti ⑦
  - snažno pričvrstite zavrtanj stezne čeljusti ključem C
  - otpustite bravu osovine A
- ZA UKLANJANJE:
  - odvrnite zavrtanj stezne čeljusti B ključem C
  - uklonite glodalo
  - otpustite bravu osovine A
- ! **za otpuštanje glodala može biti potrebno da se udari po njenom vrhu, pomoću čekića i komada drveta da bi se glodalo zaštitilo**

- ! **nemojte nikada da zavijate zavrtanj stezne čeljusti ako se glodalo ne nalazi u njoj; na taj način stezna čeljust može da se ošteti**
- Menjanje koluta ⑦
  - ! **isključite alat i iskopčajte ga iz utičnice**
  - ! **proverite da li je osovinu stezne čeljusti potpuno čista**
  - odvrnite zavrtanj stezne čeljusti B 2 ili 3 kruga
  - lagano udarite zavrtanj stezne čeljusti B ključem C
  - uklonite zavrtanj stezne čeljusti B i steznu čeljust (zaključajte osovinu)
  - okrenite alat naopačke
  - ubacite novu steznu čeljust u njenu osovinu
  - postavite zavrtanj stezne čeljusti B (zaključajte osovinu)
  - ! **nemojte nikada da zavijate zavrtanj stezne čeljusti ako se glodalo ne nalazi u njoj; na taj način stezna čeljust može da se ošteti**
- Podešavanje dubine glodanja ⑧
  - ! **isključite alat i iskopčajte ga iz utičnice**
  - podesite fino podešavanje u centralni položaj okretanjem prekidača E do kraja, a zatim vraćanjem 4 puna kruga i podesite skalu F na 0 ⑧a
  - okrenite kupolu G tako da se najniža pozicija uklopi uz zvuk škljocanja na predviđenom mestu tačno ispod merača dubine D (za nulovanje) ⑧b
  - odvrnite dugme H tako da merač dubine D padne na zaustavno postolje G ⑧b
  - postavite alat na područje rada
  - otpustite polugu za blokiranje J ⑧c
  - gurajte alat nadole sve dok glodalo ne dodirne predmet koji se obrađuje ⑧d
  - opustite i zategnite polugu za blokiranje J ⑧e
  - pomerite vizir dubine AC na 0 mm ⑧f
  - podignite merač dubine D na onoliko mm koliko iznosi željena dubina glodanja, i zavrnite dugme H ⑧f
  - otpustite polugu za blokiranje J i povucite alat nagore
  - upotrebite dugme za fino podešavanje E za preciznije podešavanje dubine rutiranja (0...±8 mm); oznake na skali odgovaraju F za 0,1 mm, 1 jedan pun krug je 2,0 mm
  - pomoću granične kupole za dubinu G dubina rutiranja može se podesiti prema odgovarajućim koracima (preporučuje se za dubinska sečenja)
  - ! **ponovo podesite dubinu glodanja posle zamene burgija glodalice**
- Kontrola brzine ⑨
  - Za optimalne rezultate glodanja na različitim materijalima
  - izaberite brzinu glodanja pomoću točkica K (to možete uraditi i dok je alat uključen)
  - koristite ⑩ kao referencu za određivanje odgovarajuće brzine glodanja
  - pre nego što započnete posao, pronađite optimalnu brzinu pomoću testiranja na starom materijalu
  - ! **nakon dužeg perioda rada pri manjoj brzini, morate da pustite alat da se ohladi tako što će raditi oko 3 minuta na većoj brzini bez opterećenja**
- LED-svetlo AD ⑪
  - LED-svetlo AD se automatski uključuje kada se aktivira prekidač M
- Usisavanje prašine
  - montirajte adapter za usisivač L kao što je prikazano na slici ⑫a
  - povežite crevo usisivača na adapter za usisivač L ⑫b
- Rukovanje alatom ⑬
  - ! **alat uvek čvrsto držite sa obe ruke**
  - ! **dok radite, uvek držite alat za mesto(a) koje(a) su označena sivom bojom**
  - postavite alat na područje rada
  - uključite alat tako da prvo pritisnete vijak N (= zaštitni vijak koji se ne može zaključati), a zatim povučete okidač M
  - ! **alat bi trebalo da radi u punoj brzini pre nego što glodalo dodirne predmet koji se obrađuje**
  - otpustite ručicu za blokiranje J i lagano gurajte alat nadole sve dok merač dubine D ne dopre do zaustavne kupole za dubinu G
  - zategnite polugu za blokiranje J
  - izvršite proceduru glodanja na istovetan način
  - koristite električni alat sa ravnom pločom na predmetu koji se obrađuje
  - opšte pravilo je da alat treba da se vuče, a ne da se gura
  - nakon što završite rad, otpustite ručicu J i povucite alat unazad u gornji početni položaj
  - pustite obarač M
- Ispravno vođenje ⑭
  - imajte na umu da se glodala okreću u pravcu kazaljki na satu
  - držite alatku tako da se glodalo kreće ka predmetu koji se obrađuje, a ne u suprotnom pravcu
- Postavljanje ploče za podešavanje P (za pravljenje kopija pomoću predloška) ⑮
- Postavljanje vodilice Q ⑯
  - ubacite šipke vodilice Y u rupe na osnovnoj ploči R
  - pustite vodilicu da sklizne na željenu dubinu i pričvrstite je pomoću 2 dugmeta Z
- Korišćenje vodilice kao postolja za okretanje ⑰
  - ! **prvo okrenite vodilicu**
  - pričvrstite čiodu AA pomoću navrtke AB kao što je ilustrovano
  - ubacite šipke Y u osnovnu ploču R
  - probodite čiodu AA kroz označeno središte luka za okretanje
  - pričvrstite vodilicu pomoću 2 dugmeta Z
  - ravnomerno vucite alat po predmetu koji se obrađuje
- Korišćenje vodilice sa ublaživačem krivina W ⑱
  - postavite ublaživač krivina W (sa postavljenim postoljem za okretanje) kao što je prikazano na slici
  - vucite alat po ivici predmeta koji se obrađuje uz blagi pritisak u stranu

## SAVETI ZA PRIMENU

- Za glodanje površina paralelnih sa bočnom stranom predmeta koji se obrađuje, koristite vodilicu
- Za paralelno glodanje na predmetu daleko od ivice ⑬
  - pričvrstite ravan komad drveta na predmet koji se obrađuje pomoću 2 spone
  - povlačite električni alat sa osnovnom pločom preko ivice drveta koje sada funkcioniše kao vodilica
- Kada koristite glodala sa klipnim ili kugličnim ležajem, oni moraju da klize po ivici predmeta koji mora da bude sasvim gladak ⑲
- Za veće dubine glodanja preporučuje se da nekoliko puta izvršite glodanje sa manjim stepenom uklanjanja
- Za više informacija pogledajte [www.skil.com](http://www.skil.com)

## ODRŽAVANJE / SERVIS

- Ovaj alat nije namenjen za profesionalnu upotrebu
- Alat i kabl uvek održavajte čistim (posebno otvore za hlađenje S ②)
- S vremena na vreme podmažite šipke po kojima alat klizi T ②
- Ako bi alat i pored brižljivog postupka izrade i kontrole nekada otkazao, popravku mora vršiti neki autorizovani servis za SKIL-električne alate
  - pošaljite **nerastavljeni** alat zajedno sa potvrdom o kupovini vašem nabavljaču ili najbližem SKIL servisu (adrese i oznake rezervnih delova možete naći na [www.skil.com](http://www.skil.com))
- Imajte na umu da za oštećenja nastala usled preopterećivanja ili nepravilnog rukovanja neće važiti garancija (za uslove SKIL garancije posetite [www.skil.com](http://www.skil.com) ili pitajte svog prodavca)

## ZAŠTITA OKOLINE

- **Električne alate, pribora i ambalaže ne odlažite u kućne otpatke** (samo za EU-države)
  - prema Europskoj direktivi 2012/19/EG o staroj električnoj i elektronskoj opremi i njenoj upotrebi u skladu sa nacionalnim pravom, električni alati koji su istrošeni moraju biti sakupljeni odvojeno i dostavljeni pogonu za reciklažu
  - simbol ⑤ će vas podsetiti na to

## BUKA / VIBRACIJE

- Izmeren u skladu sa standardom EN 60745 nivo pritiska zvuka ovog alata je 91,0 dB(A) a nivo jačine zvuka 102,0 dB(A) (neizvesnost K = 3 dB), i vibracija 4,5 m/s<sup>2</sup> (troosni vektorski zbir; neizvesnost K = 1,5 m/s<sup>2</sup>)
- Nivo emisije vibracija izmeren je u skladu sa standardizovanim testom datim u EN 60745; on se može koristiti za upoređenje jedne alatke sa drugom, kao i za preliminarnu procenu izloženosti vibracijama pri korišćenju ove alatke za pomenute namene
  - korišćenje alatke u drugačije svrhe ili sa drugačijim ili slabo održanim nastavcima može značajno **povećati** nivo izloženosti
  - vreme kada je alatka isključena ili kada je uključena, ali se njome ne radi, može značajno  **smanjiti** nivo izloženosti
- ! **zaštite se od posledica vibracija održavanjem alatke i njenih nastavaka, održavajući Vaše ruke toplim i organizovanjem Vaših radnih obrazaca**

SLO

## Stručnica

1860

### UVOD

- Ta stroj je namenjen struženju utorov, robov, profilov in podaljšanih brazd u lesu, plastiki in lahkih gradbenih materialih; prav tako z njim kopiramo
- Orodje ni namenjeno profesionalni uporabi
- Preberite in shranite navodila za uporabo ③

## TEHNIČNI PODATKI ①

## DELI ORODJA ②

- A Ključ vpenjalne čeljusti
- B Matica pritrtilne objemke
- C Ključ
- D Merilnik globine
- E Gumb za natančno prilagajanje
- F Skala za natančno prilagajanje
- G Revolverska glava za zaustavitev rezalne globine
- H Gumb za prilagajanje (merilnik globine)
- J Ročica za zaklepanje
- K Kolesce za izbiro hitrosti
- L Adapter za sesalnik
- M Gumb za vklop/izklop
- N Varnostno stikalo
- P Prilagoditvena plošča
- Q Stransko vodilo
- R Osnovna plošča
- S Ventilacijske reže
- T Drсни stebri
- V Zaščitni pokrov
- W Vmesnik za ukrivljene predmete
- Y Palice vodilnega prislona
- Z Vijak za nastavitev stranskega vodila
- AA Iglja vodilnega prislona
- AB Matica vodilnega prislona
- AC Vizir globine
- AD Dioda LED

## VARNOST

### SPLOŠNA VARNOSTNA OPOZORILA ZA ELEKTRIČNA ORODJA

**⚠ OPOZORILO** Preberite vsa varnostna opozorila, navodila in tehnične podatke ter si oglejte slike, ki so priložene temu električnemu orodju. Neupoštevanje spodaj navedenih navodil se lahko odrazi v električnem udaru, požaru in/ali hudih poškodbah.

**Vsa opozorila in navodila shranite, saj jih boste v prihodnosti morda potrebovali.**

Pojem "električno orodje", ki se pojavlja v nadaljnjem besedilu, se nanaša na električna orodja z električnim pogonom (z električnim kablom) in na akumulatorska električna orodja (brez električnega kabla).

### 1) VARNOST NA DELOVNE MESTU

- a) **Poskrbite, da bo Vaše delovno mesto vedno čisto in urejeno.** Nered ali neosvetljena delovna področja lahko povzročijo nezgode.
- b) **Prisimo, da orodja ne uporabljate v okolju, kjer je nevarnost za eksplozije in v katerem se nahajajo gorljive tekočine, plini in prah.** Električna orodja povzročajo iskre, zato se gorljivi prah ali pare lahko vnamejo.
- c) **Ne dovolite otrokom in drugim osebam, da bi se medtem ko delate, približali električnemu orodju.** Druge osebe lahko odvrnejo Vašo pozornost drugam in izgubili boste nadzor nad orodje.

### 2) ELEKTRIČNA VARNOST

- a) **Vtič mora ustrezati električni vtičnici in ga pod**



nobenim pogojem ne smete spreminjati. Uporaba adapterskih vtičev v kombinaciji z ozemljena orodja ni dovoljena. Originalni oziroma nespremenjeni vtiči in ustrezne vtičnice zmanjšujejo tveganje električnega udara.

- b) **Izogibajte se telesnemu stiku z ozemljenimi površinami, na primer s cevmi, grelci, štedilniki in hladilniki.** Če je ozemljeno tudi vaše telo, obstaja povečano tveganje električnega udara.
- c) **Zavarujte orodje pred dežjem ali vlago.** Vdor vode v električno orodje povečuje tveganje električnega udara.
- d) **Električnega kabla ne uporabljajte za prenašanje ali obešanje orodja in ne vlecite vtič iz vtičnice tako, da vlečete za kabel.** Zavarujte kabel pred vročino, oljem, ostrimi robovi in premikajočimi se deli orodja. Poškodovani ali prepleteni kabli povečujejo tveganje električnega udara.
- e) **Če z električnim orodjem delate na prostem, uporabljajte izključno kabelski podaljšek, ki je atestiran za delo na prostem.** Uporaba kabelskega podaljška, primernega za delo na prostem, zmanjšuje tveganje električnega udara.
- f) **Če je uporaba električnega orodja v vlažnem okolju neizogibna, uporabljajte prekinjevalec električnega tokokroga.** Prekinjevalca električnega tokokroga zmanjšuje tveganje električnega udara.

### 3) OSEBNA VARNOST

- a) **Bodite zbrani in pazite, kaj delate.** Dela z električnim orodjem se lotite razumno. Nikoli ne uporabljajte orodja, če ste utrujeni in če ste pod vplivom mamil, alkohola ali zdravil. En sam trenutek nepazljivosti pri uporabi orodja ima lahko za posledico resne telesne poškodbe.
- b) **Uporabljajte osebna zaščitna sredstva in vedno nosite zaščitna očala.** Uporaba osebnih zaščitnih sredstev, na primer maske proti prahu, nedrsečih zaščitnih čevljev, zaščitne čelade in glušnikov, odvisno od vrste in uporabe električnega orodja, zmanjšuje tveganje telesnih poškodb.
- c) **Izogibajte se nenamernemu zagonu. Pred priključitvijo električnega orodja na električno omrežje in/ali na akumulator in pred dviganjem ali nošenjem se prepričajte, če je električno orodje izklopljeno.** Prenašanje naprave s prstom na stikalo ali priključitev vklopljenega električnega orodja na električno omrežje je lahko vzrok za nezgodo.
- d) **Pred vklopom orodja odstranite z nje nastavitvena orodja ali vijačni ključ.** Orodje ali ključ, ki se nahajata na vrtečem se delu električnega orodja, lahko povzročita nezgodo.
- e) **Ne precenjujte se in poskrbite za varno stojišče in stalno ravnotežje.** Tako boste lahko v nepričakovani situaciji bolje obvladali orodje.
- f) **Oblecite se primerno. Ne nosite ohlapnih oblačil ali nakita. Las in oblačil ne približujte premikajočim se delom.** Ohlapna oblačila, nakit ali dolgi lasje se lahko ujamejo v premikajoče se dele.
- g) **Če je možno na orodje namestiti priprave za odsesavanje in prestrezanje prahu, prepričajte se, ali so le-te priključene in, če jih pravilno uporabljate.** Uporaba priprave za odsesavanje prahu zmanjšuje zdravstveno ogroženost zaradi prahu.
- h) **Naj seznanjenost z orodjem, ki jo pridobite s**

pogosto uporabo, ne bo razlog za to, da postanete lahkomišelní in ignorirate varnostna načela. V delčku sekunde lahko nepozorno dejanje pripelje do hude poškodbe.

### 4) RAVNANJE IN NEGA ROČNEGA ORODJA

- a) **Ne preobremenjujte orodja. Za določeno delo uporabljajte električno orodje, ki je predvideno za opravljanje tega dela.** Ustreznim električnim orodjem boste delo opravili bolje in varneje, ker je bilo v ta namen tudi konstruirano.
- b) **Električno orodje, ki ima pokvarjeno stikalo, ne uporabljajte.** Električno orodje, ki ga ni možno vklopiti ali izklopiti, je nevarno in ga je potrebno popraviti.
- c) **Izvalcite vtič iz vtičnice in/ali odstranite akumulatorsko baterijo, če jo je mogoče izvzeti, še preden orodje popravljate, menjujete pribor ali ga shranite.** Ti preventivni varnostni ukrepi zmanjšajo tveganje za nenamenski zagon orodja.
- d) **Kadar orodja ne uporabljate ga shranjujte izven dosega otrok. Osebam, ki orodja ne poznajo ali niso prebrale teh navodil, orodja ne dovolite uporabljati.** Električna orodja so nevarna, če jih uporabljajo neizkušene osebe.
- e) **Vzdržujte električna orodja in pribor. Preverite, če premikajoči se deli orodja delujejo brezhibno in če se ne zatikajo, oziroma, če kakšen del orodja ni zlomljen ali poškodovan do te mere, da bi oviral njegovo delovanje. Pred nadaljnjo uporabo je potrebno poškodovani del popraviti.** Vzrok za številne nezgode so ravno slabo vzdrževana električna orodja.
- f) **Rezalna orodja naj bodo ostrá in čista.** Skrbno negovana rezalna orodja z ostrimi rezili se manj zatikajo in so bolj vodljiva.
- g) **Električna orodja, pribor, nastavek in podobno uporabljajte v skladu s temi navodili. Pri tem upoštevajte delovne pogoje in vrsto dela, ki ga nameravate opraviti.** Zaradi uporabe električnega orodja v druge, nepredvidene namene, lahko nastanejo nevarne situacije.
- h) **Ročaji in površine za prijemanje naj bodo suhe, čiste in brez olja ali maščobe.** Gladki ročaji in površine za prijemanje ne omogočajo varne uporabe in nadzora orodja v nepričakovanih situacijah.

### 5) SERVISIRANJE

- a) **Popravilo orodja lahko opravi samo usposobljena strokovna oseba in to izključno z originalnimi nadomestnimi deli.** Le tako bo ohranjena nadaljnja varnost orodja.

### VARNOSTNA NAVODILA ZA DELO S STRUŽNICAMI

- **Orodje držite za izolirane dele ročaja, če med delom pride rezalnik v stik s lastnim priključnim kablom** (stik z vodnikom pod napetostjo lahko povzroči, da so pod napetostjo tudi izpostavljeni kovinski deli orodja, kar lahko povzroči električni udar za uporabnika)
- **Obdelovanec zavarujte in pritrdite s sponami ali drugo opremo** (če obdelovanec držite z rokami ali proti telesu, bo nestabilen in lahko izgubite nadzor nad orodjem)

### SPLOŠNO

- Orodja naj ne bi uporabljale osebe mlajše od 16 let
- Vedno izvalcite električni vtičnik iz vtičnice preden

spreminjate nastavitve ali menjate pribor

## PRIBOR

- SKIL zagotavlja brezhibno delovanje orodja le z uporabo originalnega dodatnega pribora
- Uporabljajte lahko dodatni pribor, katerega dovoljena hitrost je najmanj enaka največji hitrosti orodja
- Ne uporabljajte poškodovanih ali nepravilno oblikovanih stružnih nožev
- Uporabljajte le ostre stružne nože
- Zaščitite dodatno opremo pred udarci, sunki in maščobami
- Uporabljajte le stružne nože iz hitroreznega jekla (HSS) ali rezila s karbidno trdino (CT)

## PRED UPORABO

- Izogibajte se poškodb zaradi vijakov, žebeljev ali drugih elementov v obdelovancu; odstranite jih pred začetkom dela
- Vedno preverite, če je napetost omrežja enaka napetosti, ki je navedena na tablici orodja
- **Ne obdelujte materiala, ki vsebuje azbest** (azbest povzroča rakasta obolenja)
- Ne vpenjajte stroja v primež
- Uporabljajte povsem iztegnjene in varne električne podaljške, z jakostjo 16 amperov
- Med delom lahko nivo hrupa presega 85 dB(A); uporabljajte zaščito proti hrupu
- Prah materialov, kot so barve, ki vsebujejo svinec, nekatere vrste lesa, mineralov ali kovin so lahko škodljivi (ob stiku ali vdihavanju lahko prah pri delavcu ali pri drugih prisotnih povzroči alergijsko reakcijo in/ali boleznih dihal); **nosite masko za prah in pri delu uporabljajte napravo za odsesavanje prahu, kjer je le-to možno priključiti**
- Nekatere vrste prahu so klasificirane kot kancerogene (kot npr. prah hrasta in bukve) še posebno ob sočasni uporabi z dodatki za obdelavo lesa; **nosite masko za prah in pri delu uporabljajte napravo za odsesavanje prahu, kjer je le-to možno priključiti**
- Upošteвайте nacionalne zahteve glede prahu za materiale katere želite obdelovati
- Prepričajte se, če je stikalo izklopljeno, preden priključite priključni kabel

## MED UPORABO

- Kabel naj bo vedno odmaknjen od gibljivih delov stroja; usmerite ga proti zadnjemu delu, stran od stroja
- Nikoli ne uporabljajte orodja, če je poškodovana temeljna plošča R ② (= zaščitno varovalo); ploščo naj zamenja strokovnjak
- Orodja ne smete nikoli uporabljati s poškodovanim kablom. Kabel morate zamenjati s posebej pripravljenim kablom, ki je na voljo pri servisnem podjetju.
- Ko stroj vklopite, umaknite roke in prste od stružnega noža
- Med struženjem naj ne bo rezalna globina stružnega noža nikoli večja od največje dovoljene vrednosti
- Če pride do električnih ali mehanskih okvar, takoj izklopite stroj in izvlcite vtičak iz vtičnice
- V primeru, da je stružni nož blokiran, kar se kaže v naglih gibih stroja, takoj izklopite stroj
- V primeru prekinitve delovanja ali če pomotoma izvlčete vtičak, takoj izklopite stroj, da bi tako preprečili ponoven nenadziran zagon stroja
- Ne pritiskajte s preveliko silo na orodje, da ne pride do njegove zaustavitve

## PO UPORABI

- Po zaključenem delu, popustite ročico J ②, potisnite stroj nazaj v dvignjen, začetni položaj in ga izklopite

## POJASNILO OZNAK NA ORODJU

- ③ Pred uporabo preberite navodila za uporabo
- ④ Dvojna izolacija (ozemljitveni kabel ni potreben)
- ⑤ Orodja ne odstranjujte s hišnimi odpadki

## UPORABA

- Namestitev/odstranitev stružnih nožev ⑥
  - ! **izklopite orodje in izvlcite vtičak iz vtičnice**
  - ! **prepričajte se, da je bat stružnega noža povsem čist**
  - ! **prepričajte se, da velikost vpenjalne čeljusti (6 mm, 6,35 mm, 8 mm) ustreza velikosti bata stružnega noža**
  - obrnite orodje na glavo
  - zaklenite bat, tako da potisnete kluč za čeljust A (če je potrebno, zasukajte matico vpenjalne čeljusti B) in jo zadržite, medtem ko
- ZA NAMESTITEV:
  - s klučem za odvijanje C sprostite matico vpenjalne čeljusti B
  - stružni nož x vstavite v vpenjalno čeljust ⑦ tako, da pustite nekaj prostora
  - s klučem za odvijanje C trdno privijte matico vpenjalne čeljusti
  - sprostite kluč vpenjalne čeljusti A
- ZA ODSTRANITEV:
  - s klučem za odvijanje C sprostite matico vpenjalne čeljusti B
  - odstranite stružni nož,
  - sprostite kluč vpenjalne čeljusti A
- ! **za sprostitvev stružnega noža boste morda morali s kladivom in kosom lesa za zaščito stružnega noža udariti po zgornjem delu stružnega noža**
- ! **nikoli ne privijte matice, če v vpenjalni čeljusti ni stružnega noža; na ta način lahko poškodujete vpenjalno čeljust**
- Zamenjava pritrdilnih objemk ⑦
  - ! **izklopite orodje in izvlcite vtičak iz vtičnice**
  - ! **prepričajte se, da je držaj čeljusti povsem čist**
  - sprostite matico vpenjalne čeljusti B za 2 ali 3 obrate
  - s klučem za odvijanje C potolcite po matici B
  - odstranite matico in B in vpenjalno čeljust (kluč čeljusti)
  - obrnite orodje na glavo
  - vstavite novo čeljust v držaj čeljusti
  - namestite matico vpenjalne čeljusti B (kluč čeljusti)
- ! **nikoli ne privijte matice, če v vpenjalni čeljusti ni stružnega noža; na ta način lahko poškodujete vpenjalno čeljust**
- Prilaganje rezalne globine ⑧
  - ! **izklopite orodje in izvlcite vtičak iz vtičnice**
  - skalo za natančno prilaganje nastavite v sredinski položaj tako, da zavrtite gumb E do konca, nato pa ga zavrtite nazaj za 4 polne obrate in nastavite skalo F na 0 ⑧a
  - zavrtite revolversko glavo G tako, da najnižje ležeče območje glave klikne na mestu pod merilnikom globine D (za nastavitve vrednosti nič) ⑧b
  - sprostite gumb H tako, da merilnik globine D pade do revolverske glave za zaustavitve rezalne globine G ⑧b
  - postavite stroj na obdelovalni predmet
  - sprostite ročico za zaklepanje J ⑧c

- potisnite stroj navzdol, dokler se stružni nož ne dotakne obdelovalnega predmeta ⑧ d
- sprostite in privijte ročico za zaklepanje J ⑧ e
- vizir globine AC premaknite na 0 mm ⑧ f
- dvignite merilnik globine D za toliko milimetrov, kolikor znaša želena rezalna globina, in pričvrstite gumb H ⑧ f
- sprostite ročico za zaklepanje J in stroj znova vodite navzgor
- z gumbom za natančno prilagajanje E natančneje prilagodite globino rezanja (0...±8 mm); oznake na skali F ustrezajo 0,1 mm, 1 polni obrat ustreza 2,0 mm
- z revolversko glavo za zaustavitev rezalne globine G lahko rezalno globino ustrezno povečate po korakih (priporočeno za globoke reze)

**! po menjavi stružnih nožev znova nastavite rezalno globino**

- Nastavitev hitrosti ⑨
  - Za optimalne rezultate odrezavanja na različnih materialih
  - izberite rezalno hitrost na kolescu K (tudi med delovanjem stroja)
  - da bi določili ustrezno rezalno hitrost, si pomagajte z razpredelnico ⑩
  - preden začnete delati, določite optimalno hitrost, tako da jo preskusite na odvečnem obdelovalnem materialu

**! po dolgih obdobjih dela pri nizki hitrosti pustite, da se stroj ohladi, in sicer tako da ta deluje približno 3 minute pri veliki hitrosti in brez naloženega materiala**

- Dioda LED AD ⑪
  - LED-dioda AD se samodejno vklopi, ko vklopite sprožilec M
- Odsesavanje prahu
  - namestite adapter za sesalnik L, kot je prikazano ⑫ a
  - priključite cev sesalnika na adapter za sesalnik L ⑫ b
- Upravljanje orodja ⑬

**! vedno držite stroj trdno z obema rokama**

**! med delom vedno držite orodje za sivo obarvano mesto prijema**

- postavite stroj na obdelovalni predmet
- orodje vključite tako, da najprej stisnete gumb N (varnostno stikalo, katero ne sme biti blokirano), nato pa pritisnite gumb M

**! preden se stružni nož dotakne obdelovalnega predmeta, mora stroj teči pri polni hitrosti**

- sprostite ročico za zaklepanje J in počasi potisnite stroj navzdol, dokler merilnik globine D ne doseže revolverse glave za zaustavitev rezalne globine G
- privijte ročico za zaklepanje J
- izvedite postopek struženja ob enotni stopnji pogona
- stroj uporabljajte tako, da je temeljna plošča plosko na obdelovalnem predmetu
- velja splošno pravilo, da mora delavec vleči stroj, ne pa ga potiskati
- po zaključenem delu, popustite ročico J in potisnite stroj nazaj v dvignjen, začetni položaj
- sprostite stikalo M
- Pravilno vodenje stroja ⑭
  - ne pozabite, da se stružni nož obrača v smeri urnega kazalca
  - stroj vodite tako, da se stružni nož obrača proti materialu, ki ga obdelujete in ne stran od njega
- Namestitev prilagoditvene plošče P (za kopiranje s šablono) ⑮

- Namestitev vodilnega prislona Q ⑯
  - vstavite vodila vodilnega prislona Y skozi odprtine v temeljni plošči R
  - pomaknite vodilni prislon do želene širine in ga pritrdite z dvema gumboma Z
- Uporaba vodilnega prislona kot vodila za rezanje v krogu ⑰

**! najprej zasukajte vodilni prislon**

- pritrdite osnik AA z matico AB, kot je prikazano na sliki
- vstavite vodili Y v temeljno ploščo R
- zabodite osnik AA v označeno sredino krožnega loka
- privijte vodilni prislon z dvema gumboma Z
- vodite stroj s stalnim dovajanjem pogona čez obdelovalni predmet
- Uporaba vodilnega prislona z vmesnikom za ukrivljene predmete W ⑱
  - namestite vmesnik za ukrivljene predmete W (z nameščenim kolescem za vodenje) kot kaže slika
  - vodite stroj vzdolž roba obdelovalnega predmeta, tako da s strani narahlo pritiskate nanj

## UPORABNI NASVETI

- Za reze, ki tečejo vzporedno s stranskim delom obdelovalnega predmeta, uporabite vodilni prislon
- Za vzporedne reze v obdelovalni predmet, ki je daleč od roba ⑲
  - z dvema objemkama pritrdite raven kos lesa na obdelovalni predmet
  - vodite stroj, tako da je temeljna plošča vzdolž robu lesenega kosa, ki zdaj deluje kot vodilni prislon
- Ko uporabljate stružne nože s pomožnim ali krogličnim ležajem, mora pomožni ali kroglični ležaj drseti vzdolž robu obdelovalnega predmeta, ta pa mora biti povsem gladek ⑲
- Za večje rezalne globine priporočamo, da izvedete nekaj zaporednih rezov z nižjo stopnjo odstranjevanja
- Za več informacij obiščite spletno stran [www.skil.com](http://www.skil.com)

## VZDRŽEVANJE/SERVISIRANJE

- Orodje ni namenjeno profesionalni uporabi
- Priključni kabel in orodje naj bosta vedno čista (posebej še prezračevalne odprtine S ⑳)
- Občasno podmažite drsne stebre T ㉑
- Če bi kljub skrbnim postopkom izdelave in preizkušanja prišlo do izpada delovanja orodja, naj popravilo opravi servisna delavnica, pooblaščenca za popravila SKILevih električnih orodij
  - pošljite **nerazstavljeno** orodje skupaj s potrdilom o nakupu pri vašemu prodajalcu v najbližjo SKIL servisno delavnico (naslovi, kot tudi spisek rezervnih delov se nahaja na [www.skil.com](http://www.skil.com))
- Zavedajte se, da garancija ne vključuje poškodb zaradi preobremenitve orodja ali nepravilne rabe (glede SKILovih garancijskih pogojev obiščite [www.skil.com](http://www.skil.com) ali povprašajte prodajalca)

## OKOLJE

- **Električnega orodja, pribora in embalaže ne odstranjujte s hišnimi odpadki** (samo za države EU)
  - v skladu z Evropsko direktivo 2012/19/EG o odpadni električni in elektronski opremi in z njenim izvajanjem v nacionalni zakonodaji je treba električna orodja ob

- koncu njihove življenjske dobe ločeno zbirati in jih predati v postopek okolju prijaznega recikliranja
- ko je potrebno odstranjevanje, naj vas o načinu spomni simbol ⑤

## HRUP / VIBRACIJA

- Raven zvočnega tlaka tega orodja, ki je bila izmerjena v skladu s standardom EN 60745, je 91,0 dB(A), raven zvočne moči je 102,0 dB(A) (odstopanje K = 3 dB), skupne vrednosti vibracij 4,5 (triosna vektorska vsota; odstopanje K = 1,5 m/s<sup>2</sup>)
- Raven oddajanja vibracij je bila izmerjena v skladu s standardiziranimi testi, navedenimi v EN 60745; uporabiti jo je mogoče za primerjavo različnih orodij med seboj in za predhodno primerjavo izpostavljenosti vibracijam pri uporabi orodja za namene, ki so omenjeni
  - uporaba orodja za drugačne namene ali uporaba skupaj z drugimi, slabo vzdrževanimi nastavki lahko znatno **poveča** raven izpostavljenosti
  - čas, ko je orodje izklopljeno ali ko teče, vendar z njim ne delamo, lahko znatno **zmanjša** raven izpostavljenosti
- ! pred posledicami vibracij se zaščitite z vzdrževanjem orodja in pripadajočih nastavkov, ter tako, da so vaše roke tople, vaši delovni vzorci pa organizirani**

EST

## Ülafrees 1860 SISSEJUHATUS

- Seade on ettenähtud soonte, servade, profiilide ja pikiavade freesimiseks puitu, plastmaterjalidesse ning kergetehitismaterjalidesse, samuti kopeerfreesimiseks
- Tööriist pole mõeldud professionaalseks kasutamiseks
- Palun lugege käesolev kasutusjuhend hoolikalt läbi ja hoidke alles ③

## TEHNILISED ANDMED ①

### SEADME OSAD ②

- A Völlilukustusnupp
- B Tsangi lukustusmutter
- C Lehtvõti
- D Sügavusmõõdik
- E Täppiskohandamise nupp
- F Täppiskohandamise skaala
- G Pöördalust
- H Justeerimisnupp (sügavuspiiraja)
- J Lukustuskäepide
- K Kiiruse regulaator
- L Tolmuimejaadapteri
- M Sisse-/väljalüliti
- N Turvalüliti
- P Adapterplaat
- Q Paralleeljuhk
- R Alusplaat
- S Ohutusavad
- T Liuglatid
- V Kaitsekate

- W Kurvi puhver
- Y Rebimisresti vardad
- Z Paralleeljuhiku reguleerimisnupp
- AA Rebimisresti tihvt
- AB Rebimisresti mutter
- AC Sügavusvisiir
- AD LED-märgutuli

## OHUTUS

### ÜLDISED OHUTUSNÕUDED ELEKTRILISTE TÖÖRIISTADE KASUTAMISEL

**⚠ HOIATUS** Lugege kõiki hoiatusi, juhiseid, kirjeldusi ja spetsifikatsioone, mis käivad tööriistaga kaasas. Kui kõiki allpool loetletud juhiseid ei õnnestu järgida, võite saada elektrilöögi, võib tekkida tulekahju ja/või saada raskelt vigastada.

### Hoidke kõik ohutusnõuded ja juhised edaspidiseks alles.

Allpool kasutatud mõiste “elektriline tööriist” käib võrgutoitega (toitejuhtmega) elektriliste tööriistade ja akutoitega (ilma toitejuhtmeta) elektriliste tööriistade kohta.

#### 1) OHUTUSNÕUDED TÖÖPIIRKONNAS

- a) **Hoidke töökoht puhas ja korras.** Segadus või valjustamata tööpiirkonnad võivad põhjustada õnnetusi.
- b) **Ärge kasutage seadet plahvatusohtlikus keskkonnas, kus leidub tuleohtlikke vedelikke, gaase või tolmu.** Elektrilistest tööriistadest lööb sädemeid, mis võivad tolmu või auru süüdata.
- c) **Kui kasutate elektrilist tööriista, hoidke lapsed ja teised isikud töökohast eemal.** Kui Teie tähelepanu kõrvale juhitakse, võib seade Teie kontrolli alt väljuda.

#### 2) ELEKTRIOHUTUS

- a) **Seadme pistik peab pistikupesasa sobima. Pistiku kallal ei tohi teha mingeid muudatusi. Ärge kasutage kaitsemaandusega seadmete puhul adapterpistikuid.** Muutmata pistikud ja sobivad pistikupesad vähendavad elektrilöögi saamise riski.
- b) **Vältige kehakontakti maandatud pindadega, nagu torud, radiaatorid, pliidid ja külmikud.** Kui Teie keha on maandatud, on elektrilöögi risk suurem.
- c) **Hoidke seadet vihma ja niiskuse eest.** Kui elektriseadmesse on sattunud vett, on elektrilöögi saamise risk suurem.
- d) **Ärge kasutage toitejuhet selleks mitte ettenähtud otstarbel seadme kandmiseks, ülesriputamiseks ega pistiku pistikupesast väljatõmbamiseks. Hoidke toitejuhet kuumuse, õli, teravate servade ja seadme liikuva osade eest.** Kahjustatud või keerduläinud toitejuhtmed suurendavad elektrilöögi saamise riski.
- e) **Kui töotate elektrilise tööriistaga vabas õhus, kasutage ainult selliseid pikendusjuhtmeid, mida on lubatud kasutada ka välistingimustes.** Välistingimustes kasutamiseks sobiva pikendusjuhtme kasutamine vähendab elektrilöögi saamise riski.
- f) **Kui elektrilise tööriista kasutamine niiskes keskkonnas on vältimatu, kasutage maandusega lekkevoolukaitset.** Maandusega lekkevoolukaitse kasutamine vähendab elektrilöögi ohtu.

### 3) INIMESTE TURVALISUS

- a) **Olge tähelepanelik, jälgige, mida Te teete, ning toimige elektrilise tööriistaga töötades mõistlikult. Ärge kasutage seadet, kui olete väsinud või uimastite, alkoholi või ravimite mõju all.** Hetkeline tähelepanematus seadme kasutamisel võib põhjustada tõsiseid vigastusi.
- b) **Kandke isikukaitsevahendeid ja alati kaitseprille.** Isikukaitsevahendite, nagu tolmu mask, libisemiskindlad turvajalatsid, kaitsekiiver või kuulmiskaitsevahendid, kandmine – sõltuvalt elektrilise tööriista tüübist ja kasutusala – vähendab vigastuste riski.
- c) **Vältige seadme tahtmatut käivitamist. Enne pistiku ühendamist pistikupessa, aku ühendamist seadme külge, seadme ülestõstmist ja kandmist veenduge, et elektriline tööriist on välja lülitatud.** Kui hoiate elektrilise tööriista kandmisel sõrme lülitil või ühendate vooluvõrku sisselülitatud seadme, võivad tagajärjeks olla õnnetused.
- d) **Enne seadme sisselülitamist eemaldage selle küljest reguleerimis- ja mutrivõtmed.** Seadme pöörleva osa küljes olev reguleerimis- või mutrivõti võib põhjustada vigastusi.
- e) **Ärge hinnake end üle. Võtke stabiilne tööasend ja hoidke kogu aeg tasakaalu.** Nii saate seadet ootamatutes olukordades paremini kontrollida.
- f) **Kandke sobivat rõivastust. Ärge kandke laiu riideid ega ehteid. Hoidke juukseid ja rõivad seadme liikuvatest osadest eemal.** Lotendavad riided, ehted või pikad juukseid võivad sattuda seadme liikuvate osade vahele.
- g) **Kui on võimalik paigaldada tolmueemaldus- ja tolmu kogumisseadiseid/seadmeid, veenduge, et need oleksid seadmega ühendatud ja et neid kasutatakse õigesti.** Tolmueemaldusseadise kasutamine vähendab tolmu põhjustatud ohte.
- h) **Ärge muutuge tööriista sagedasest kasutamisest hooletuks ja ärge eirake ohutusnõudeid.** Hooletus võib sekundi murdosa jooksul kaasa tuua raskeid vigastusi.
- 4) **ELEKTRILISTE TÖÖRIISTADE HOOLIKAS KÄSITSEMINE JA KASUTAMINE**
- a) **Ärge koormake seadet üle. Kasutage töö tegemiseks selleks ettenähtud elektrilist tööriista.** Sobiva elektrilise tööriistaga töötate paremini ja turvalisemalt ettenähtud võimsusvahemikus.
- b) **Ärge kasutage elektrilist tööriista, mille lüliti on rikkis.** Elektriline tööriist, mida ei ole enam võimalik sisse ja välja lülitada, on ohtlik ning seda tuleb remontida.
- c) **Tõmmake pistik pistikupesast välja ja/või eemaldage seadmest aku, kui on eemaldatav, enne seadme reguleerimist, tarvikute vahetamist ja seadme ärapanekut.** See ettevaatusabinõu väldib seadme tahtmatut käivitamist.
- d) **Kasutusvälistel ajal hoidke elektrilisi tööriistu lastele kättesaamatult. Ärge laske seadet kasutada isikutel, kes seda ei tunne või pole siintoodud juhiseid lugenud.** Kogenemate kasutajate käes kujutavad elektrilised tööriistad ohtu.
- e) **Hoolitsege elektriliste tööriistade ja tarvikute eest korralikult. Kontrollige, kas seadme liikuvad osad funktsioneerivad korralikult ja ei kiildu kinni, ning ega mõned osad ei ole katki või sel**

määril kahjustatud, et võiksid mõjutada seadme töökindlust. Laske kahjustatud osad enne seadme kasutamist parandada. Paljude õnnetuste põhjuseks on halvasti hooldatud elektrilised tööriistad.

- f) **Hoidke lõiketarvikud teravad ja puhtad.** Hoolikalt hoitud, teravate lõikeservadega lõiketarvikud kiilduvad harvemini kinni ja neid on lihtsam juhtida.
- g) **Kasutage elektrilist tööriista, lisavarustust, tarvikuid jne vastavalt siintoodud juhistele. Arvestage seejuures töötingimuste ja teostatava töö iseloomuga.** Elektriliste tööriistade kasutamine mitte ettenähtud otstarbel võib põhjustada ohtlikke olukordi.
- h) **Hoidke käepidemed ja haardepinnad kuiva ja puhtana ning vabana õlist ja määrdeainetest.** Libedad käepidemed ja haardepinnad ei luba tööriista ohutult käsitseda ja ootamatutes olukordades kontrolli all hoida.
- 5) **TEENINDUS**
- a) **Laske seadet parandada ainult kvalifitseeritud spetsialistidel ja ainult originaalvaruosadega.** Nii tagate seadme püsimise turvalisena.

### OHUTUSJUHISED ÜLAFREESIDE KOHTA

- **Hoidke elektritööriista kinni isoleeritud haardepinnast, kuna tera võib puutuda kokku tööriista enda juhtmega** (voolu all oleva juhtme lõikamisel võivad elektritööriista metallosad pingestuda ja anda operaatorile elektrilöögi)
- **Kinnitage toorik klambriga või muul praktilisel moel kindlale stabiilsele alusele** (tööd käes hoides või vastu keha surudes võib see paigast liukuda)

### ÜLDIST

- Tööriista kasutaja peab olema vähemalt 16 aastat vana
- Enne seadme reguleerimist või tarviku vahetust eemaldage seade vooluvõrgust (tõmmake pistik pistikupesast välja)

### TARVIKUD

- SKIL tagab seadme häireteta töö üksnes originaaltarvikute kasutamisel
- Kasutage vaid neid tarvikuid, mille lubatud pöörte arv on vähemalt sama suur nagu maksimaalsed tühikäigupöörded
- Ärge kasutage rebenenud ega deformeerunud freesipäid
- Kasutage ainult teravaid freesipäid
- Kaitske tarvikuid lõokide, pürustuste ja määrdeainete eest
- Kasutage antud seadmega vaid kiirlõiketerasest või kõvasulamist freesipäid

### ENNE KASUTAMIST

- Vältige töödeldavas esemes olevatest kruvidest, naeltest vms põhjustatud kahjustusi; eemaldage need enne töö alustamist
- Kontrollige alati, kas võrgupinge ühtib tööriista andesildil toodud pingega
- **Asbestisisaldava materjali töötlemine on keelatud** (asbest võib tekitada vähki)
- Ärge kinnitage tööriista pitskruviga
- Pikendusjuhtmete kasutamisel jälgige, et juhe oleks lõpuni lahti keritud ja vastaks 16 A voolutugevusele
- Töötamise ajal võib müratase ületada 85 dB(A); kandke kuulmiskaitsevahendeid
- Värviga kaetud juhtmed, mõned puiduliigid, mineraalid ja metall eraldavad tolmu, mis võib olla kahjulik (kokkupuude tolmuga või selle sissehingamine võib seadme kasutajal või läheduses viibival inimesel

põhjustada allergilisi reaktsioone ja/või hingamisteede haigusi); **kandke tolmumaski ja vajaduse korral töötaga külgeühendatava tolmueemaldusseadmega**

- Teatud tüüpi tolm on klassifitseeritud kantserogeensena (nt tammest ja kasest eralduv tolm), eriti koos puudu niiskuse reguleerimiseks kasutatavate lisanditega; **kandke tolmumaski ja vajaduse korral töötaga külgeühendatava tolmueemaldusseadmega**
- Erinevate materjalide töötlemisel tekkinud tolm on käitlemisel tuleb järgida kehtivaid nõudeid
- Vooluvõrku ühendamisel veenduge, et tööriist on välja lülitatud

#### KASUTAMISE AJAL

- Väliste toitejuhtme kokkupuutumist seadme pöörlevate osadega; hoidke toitejuhet alati tööriistast eemal, tagapool
- Ärge kunagi kasutage seadet, kui alustald R<sup>②</sup> (=kaitseeadis) on vigastatud; laske see parandada elektrialia spetsialistil
- Ärge kasutage kunagi tööriista, kui juhe on kahjustatud; see tuleb välja vahetada spetsiaalse juhtme vastu, mille saate hooldusteenust osutavalt ettevõtelt.
- Hoidke käed ja sõrmed seadme sisselülitamisel freesipeast eemal
- Freesimistööde korral ei tohi kunagi ületada freesipea maksimaalset freesimisügavust
- Seadme elektrilise või mehhaanilise häire korral lülitage seade viivitamatult välja ja eemaldage pistik vooluvõrgust
- Kui freesitera on kinni kiildunud ja see põhjustab seadme "viskumist", tuleb seade kohe välja lülitada
- Voolukatkestuse korral või pistiku tahtmatul väljatõmbamisel pistikupesast, lülitage seade kohe välja, et vältida seadme kontrollimatut taaskäivitamist
- Ärge suruge tööriista nii tugevalt, et see seiskub

#### PÄRAST KASUTAMIST

- Pärast töö lõppu, vabastage hoob J<sup>②</sup>, viige seade tagasi ülemisse lähteasendisse ja lülitage välja

#### TÖÖRIISTAL OLEVATE SÜMBOLITE SELGITUS

- ③ Enne kasutamist tutvuge kasutusjuhendiga
- ④ Topeltilisatsioon (maandusjuhe pole vajalik)
- ⑤ Ärge visake kasutuskõlbmatuks muutunud tööriista ära koos olmejäätmetega

#### KASUTAMINE

- Freesipeade paigaldamine/eemaldamine ⑥  
**! lülitage seade välja ja eemaldage pistik vooluvõrgust**

**! veenduge, et freesipea völli oleks täiesti puhas  
! veenduge, et kõik freesiterad ja tsangid (6 mm, 6,35 mm, 8 mm) üksteisega sobiks**

- pöörake seade ümber
- fikseerige völli, vajutades völliilukustusele A (vajadusel keerake pisut kinnitusmutrit B); hoidke völliilukustusnupu all ja samal ajal

#### PAIGALDAMISEKS:

- vabastage võtmega C kinnitusmutter B
- sisestage lõiketera nii, et võru ⑦ sisse jääb veidi ruumi x
- keerake kinnitusmutter võtmega C tugevasti kinni
- vabastage völliilukustusnupp A

#### EEMALDAMISEKS:

- vabastage võtmega C kinnitusmutter B
- eemaldage freesimistarvik
- vabastage völliilukustusnupp A

**! uuristusotsaku lahtikeeramiseks võib olla abi uuristusotsakule vajutamisest; freesimistarviku kaitsmiseks tuleb kasutada haamrit või puutükki  
! ärge kunagi keerake kinni kinnitusmutrit, kui tsangis ei ole freesimistarvikut; see võib vigastada tsangi**

- Tsangi vahetus ⑦

**! lülitage seade välja ja eemaldage pistik vooluvõrgust**

**! veenduge, et lukustusvölli oleks täiesti puhas**

- keerake kinnitusmutter B 2 või 3 pööret lahti
- koputage kinnitusmutrit B võtmega C
- eemaldage kinnitusmutter B ja tõmmake välja tsang (lukustage völli)
- pöörake seade ümber
- paigaldage uus tsang kinnitusmutrisesse
- monteerige kinnitusmutter B (lukustage völli)
- ! ärge kunagi keerake kinni kinnitusmutrit, kui tsangis ei ole freesimistarvikut; see võib vigastada tsangi**

- Freesimisügavuse reguleerimine ⑧

**! lülitage seade välja ja eemaldage pistik vooluvõrgust**

- viige täppiskohandamiseade nupu E lõpuni pööramisega keskasendisse, seejärel keerake 4 täisingi tagasi ja seadistage skaala F asendisse 0 ⑧ a
- pöörake pöörmutrit G nii, et selle madalaim asend fikseerub vahetult sügavusmõõdiku all D (nullimiseks) ⑧ b
- keerake nappu lahtipoole H nii, et sügavusmõõdik D kukuks peatavale pöörmutrile G ⑧ b
- asetage seade töödeldavale esemele
- avage lukustushoob J ⑧ c
- suruge seade alla, kuni freesipea toetub toorikule ⑧ d
- vabastage ja suruge lukustushoob J ⑧ e
- nihutage sügavusviisiri AC väärtusele 0 mm ⑧ f
- tõstke sügavusmõõdik D soovitud uuristusügavuse tasemele ja keerake nupp H ⑧ f kinni
- vabastage lukustushoob J ja juhtige tööriist uuesti üles
- kasutage täppiskohandamise nupu E uuristusügavuse täpsemaks (0...±8 mm) seadistamiseks; märgid skaalal F vastavad 0,1 mm-le, 1 täispööre vastab 2,0 mm-le.
- sügavuspüüriku revolverpeaga G saab uuristusügavust suurendada astmeliselt (soovitavalt sügavate lõigete korral)

**! pärast uuristusdetailide vahetamist määrake uuristusügavuse uuesti**

- Kiiruse kontroll ⑨  
Optimaalsete tulemuste saavutamiseks erinevate materjalide freesimisel
- valiige freesimiskiirus regulaatorist K (ka seadme töötamise ajal)
- tabeli ⑩ abil määrake kindlaks sobiv freesimiskiirus
- enne töö alustamist selgitage optimaalne kiirus välja proovidetali najal
- ! pärast pikemaajalist töötamist madalal kiirusel laske seadmel jahtumiseks töötada tühkäigul umbes 3 minutit täiskiiusega**
- LED-märgutuli AD ⑩  
- LED-märgutuli AD süttib päästiku M aktiveerimisel automaatselt

- Tolmu eemaldamine
  - paigaldage tolmuimeja adapter L nagu joonisel näidatud 12a
  - ühendage tolmuimeja voolik tolmuimeja adapteriga L 12b
- Seadme kasutamine 13
  - ! **hoidke seadet alati mõlema käega**
  - ! **töötamise ajal hoidke tööriista kinni korpuse ja käepideme halli värvi osadest**
  - asetage seade töödeldavale esemele
  - lülitage tööriist sisse, vajutades kõigepealt nupule N (= turvalüliti, mida pole võimalik lukustada) ja siis vajutage sisse lüliti M
  - ! **enne freesipea viimist toorikusse peab tööriist töötama maksimumkiiruse**
  - avage lukustuslüliti J ja lükake tööriista aeglaselt allapoole, kuni sügavusmõõdik D jõuab stopnutrini G
  - kinnitage lukustushoob J
  - teostage freesimine ühtlase ettenihkega
  - tööriista juhtimisel hoidke alustalda ühtlaselt vastu toorikut
  - üldjuhul tuleb tööriista töötamisel "tõmmata", mitte lükata
  - pärast töö lõppu, vabastage hoob J ja viige seade tagasi ülemisse lähteasendisse
  - vabastage tööüliliti M
- Õige juhtimine erinevate lõigete puhul 14
  - veenduge, et freesitera pöörleks päripäeva
  - juhtige seadet nii, et freesipea keeraks end toorikusse sisse, mitte sellest eemale
- Adapterplaadi P paigaldamine (töötamisel šablooni järgi) 15
- Külgmise piiraja paigaldamine Q 16
  - lükake juhtvardad Y läbi alustalla R avade
  - viige külgmise piiraja soovitud laiusele ja kinnitage see 2 nupuga Z
- Külgmise piiraja kasutamine ringjuhkuna 17
  - ! **kõigepealt pöörake külgmise piiraja ümber**
  - keerake tiht AA nutriga AB kinni, nagu näidatud
  - lükake juhtvardad Y läbi alusplaadi R
  - torgake polt AA ringi märgitud keskpunkti
  - kinnitage külgmise piiraja 2 nupuga Z
  - juhtige seadet alustallaga üle tooriku
- Külgmise piiraja kasutamine servajuhikuna W 18
  - monteeri servajuhik W (kaasasoleva rullikuga)
  - vastavalt joonisele
  - juhtige seadet kerge külgsurvega piki tooriku serva

## TÖÖJUHISED

- Paralleelselt tooriku servaga teostatavate lõigete puhul kasutage külgmist piirajat
- Tooriku servast liiga kaugele jäävate paralleellõigete puhul 13
  - monteeri kahe klemmkruvi abil toorikule massiivne puitklots
  - juhtige seadet alustallaga piki puitklotsi serva, puitklots täidab nüüd külgmise piiraja ülesannet
- Juhttappi või kuullaagriga adapterite puhul tuleb juhttapp või kuullaager viia piki tooriku välisserva, mis peab olema võimalikult sile 19
- Suuremate freesimissügavuste puhul on soovitatav jaotada freesimisoperatsioon mitmesse järku, eemaldades iga kord ühe õhema kihki

- Lisateavet lugege aadressilt [www.skil.com](http://www.skil.com)

## HOOLDUS/TEENINDUS

- Tööriist pole mõeldud professionaalseks kasutamiseks
- Hoidke seade ja teitejuhe alati puhtad (eriti õhusavavad S 2)
- Aeg-ajalt õlitage liugsiine T 2
- Tööriist on hoolikalt valmistatud ja testitud; kui tööriist sellest hoolimata rikki läheb, tuleb see lasta parandada SKILi elektriliste käsitööriistade volitatud remonditöökojas
  - toimetage **lahtimonteerimata** seade koos ostukviitungiga tarnijale või lähimasse SKILi lepingulisse töökotta (aadressid ja tööriista varuosade joonise leiate aadressil [www.skil.com](http://www.skil.com))
- Arvestage sellega, et garantii ei hõlma seadme ülekoormamist või ebaõiget käsitsemist tulenevaid kahjustusi (teavet SKILi garantiitingimuste kohta vaadake veebilehelt [www.skil.com](http://www.skil.com) või küsige kohalikul müügiesindajalt)

## KESKKOND

- **Ärge visake kasutuskõlmatuks muutunud elektrilisi tööriistu, lisatarvikuid ja pakendeid ära koos olmejäätmetega** (üksnes EL liikmesriikidele)
  - vastavalt Euroopa Parlamendi ja nõukogu direktiivile 2012/19/EÜ elektri- ja elektroonikaseadmete jäätmete kohta ning direktiivi nõuete kohaldamisele liikmesriikides tuleb kasutuskõlmatuks muutunud elektrilised tööriistad koguda eraldi ja keskkonnasäästlikult korduvkasutada või ringlusse võtta
  - seda meenutab Teile sümbol 5

## MÜRA / VIBRATSIOON

- Standardiga EN 60745 kooskõlas mõõdetud tööriista helirõhu tase on 91,0 dB(A) ja helivõimsuse tase 102,0 dB(A) (määramatus K = 3 dB), ja vibratsioon 4,5 m/s<sup>2</sup> (ruumiliste vektorite summa; mõõtemääramatus K = 1,5 m/s<sup>2</sup>)
- Tekkiva vibratsiooni tase on mõõdetud vastavalt standardis EN 60745 kirjeldatud standarditulest; seda võib kasutada tööriistade võrdlemiseks ja tööriista kasutamisel ettenähtud töödeks esineva vibratsiooni esialgseks hindamiseks
  - tööriista kasutamisel muudeks rakendusteks või teiste/halvasti hooldatud tarvikute kasutamisel võib vibratsioon märkimisväärselt **suurened**
  - ajal, kui tööriist on väljalülitatud või on kinni sisselülitatud, kuid tegelikult seda ei kasutata, võib vibratsioon märkimisväärselt **vähened**
- ! **enda kaitsmiseks vibratsiooni eest hooldage tööriista ja selle tarvikuid korralikult, hoidke oma käed soojad ja tagage sujuv töökorraldus**

LV

Virsfrëze

1860

IEVADS

- Šis instruments ir paredzēts gropju, malu, profilu un iegarenu atveru frēzēšanai kokā, plastmasā un vieglos

- būvmateriālos, kā arī kopējošajai frēzēšanai
- Šis darbarīks nav paredzēts profesionālai lietošanai
- Izlasiet un saglabājiet šo pamācību ③

## TEHNISKIE PARAMETRI ①

### INSTRUMENTA ELEMENTI ②

- A Darbvārpstas fiksators
- B Turētājapveres uzgrieznis
- C Uzgriežņu atslēga
- D Dziļuma mērinstruments
- E Smalkas regulēšanas poga
- F Smalkas regulēšanas skala
- G Dziļuma atduri
- H Regulēšanas poga (dziļuma ierobežotājs)
- J Svira fiksējošais
- K Ātruma regulators
- L Putekļsūcēja adapters
- M Ieslēgšanas/izslēgšanas trigeris
- N Drošības slēdzis
- P Adaptera plāksne
- Q Paralēlā vadotne
- R Pamatplāksne
- S Ventilācijas atveres
- T Slīdošu stieņi
- V Aizsargvāks
- W Balsts frēzēšanai pa lieltu līniju
- Y Paralēlās vadotnes stieņi
- Z Paralēlās vadotnes regulēšanas spārnskrūve
- AA Paralēlās vadotnes adata
- AB Paralēlās vadotnes uzgrieznis
- AC Dziļuma rādītājs
- AD Gaismas indikators

## DROŠĪBA

### VISPĀRĒJIE NOTEIKUMI ELEKTROINSTRUMENTU DROŠAI LIETOŠANAI

**⚠ BRĪDINĀJUMS** Iepazīstieties ar visiem šī elektroinstrumenta drošas lietošanas noteikumiem, norādījumiem, attēliem un specifikācijām. Visu turpmāk sniegto norādījumu neizpildes rezultātā lietotājs var ciest no elektrošoka, var izvērsties ugunsnelaime un/vai rasties smagi ievainojumi.

**Saglabājiet visus noteikumus un norādījumus turpmākai atsaucēi.**

Noteikumos minētais termins "elektroinstruments" nozīmē ar strāvu darbināmu (ar vadu aprīkotu) vai ar akumulatoru darbināmu (bezvadu) elektroinstrumentu.

#### 1) DROŠĪBA DARBA VIETĀ

- a) **Seko** jiet, lai darba vieta būtu tīra un sakārtota. Nekārtīgā darba vietā vai sliktā apgaismojumā var viegli notikt nelaimes gadījums.
- b) **Nelietojiet elektroinstrumentu eksplozīvu vai ugunsnedrošu vielu tuvumā un vietās ar paaugstinātu gāzes vai putekļu saturu gaisā.** Darba laikā instruments nedaudz dzirksteļo, un tas var izsaukt viegli degošu putekļu vai tvaiku aizdegšanos.

- c) **Lietojot elektroinstrumentu, neļaujiet nepiederošām personām un jo īpaši bērniem tuvuoties darba vietai.** Citu personu klātbūtne var novērst uzmanību, un tā rezultātā jūs varat zaudēt kontroli pār instrumentu.
- #### 2) ELEKTRODROŠĪBA
- a) **Elektroinstrumenta kontaktdakšai jābūt piemērotai elektrotīkla kontaktligzdai. Kontaktdakšas konstrukciju nedrīkst nekādā veidā mainīt. Nelietojiet kontaktdakšas salāgotājus, ja elektroinstruments caur kabeli tiek savienots ar aizsargzemējuma ķēdi.** Neizmainītas konstrukcijas kontaktdakša, kas piemērota kontaktligzdai, ļauj samazināt elektriskā trieciena saņemšanas risku.
  - b) **Darba laikā nepieskarieties saņemtiem priekšmetiem, piemēram, caurulēm, radiatoriem, plīfīm vai ledusskapjiem.** Pieskaroties saņemtām virsmām, pieaug risks saņemt elektrisko triecienu.
  - c) **Nelietojiet elektroinstrumentu lietus laikā, neturiet to mitrumā.** Mitrumam iekļūstot instrumentā, pieaug risks saņemt elektrisko triecienu.
  - d) **Nenesiet un nepiekariet elektroinstrumentu aiz elektrokabeļa. Neraujiet aiz kabeļa, ja vēlaties atvienot instrumentu no elektrotīkla kontaktligzdas. Sargājiet elektrokabeļi no karstuma, eļļas, asām šķautnēm un instrumenta kustīgajām daļām.** Bojāts vai samezģojies elektrokabeļis var būt par cēloni elektriskajam triecienam.
  - e) **Darbinot elektroinstrumentu ārpus telpām, izmantojiet tā pievienošanai vienīgi tādus pagarinātājkabeļus, kuru lietošana ārpus telpām ir atļauta.** Lietojot elektrokabeļi, kas piemērots darbam ārpus telpām, samazinās risks saņemt elektrisko triecienu.
  - f) **Ja elektroinstrumentu tomēr nepieciešams lietot vietās ar paaugstinātu mitrumu, izmantojiet tā pievienošanai noplūdes strāvas aizsargreleju.** Lietojot noplūdes strāvas aizsargreleju, samazinās risks saņemt elektrisko triecienu.
- #### 3) PERSONISKĀ DROŠĪBA
- a) **Darba laikā saglabājiet paškontroli un rīkojieties saskaņā ar veselo saprātu.** Pārtrauciet darbu, ja jūtaties noguris vai atrodaties alkohola, narkotiku vai medikamentu izraisītā reibumā. Strādājot ar elektroinstrumentu, pat viens neuzmanības mirklis var būt par cēloni nopietnam savainojumam.
  - b) **Izmantojiet individuālos darba aizsardzības līdzekļus un darba laikā vienmēr nēsājiet aizsargbrilles.** Individuālo darba aizsardzības līdzekļu (putekļu maskas, neslīdošu apavu un aizsargķiveres vai ausu aizsargu) pielietošana atbilstoši elektroinstrumenta tipam un veicamā darba raksturam ļauj izvairīties no savainojumiem.
  - c) **Nepieļaujiet elektroinstrumenta patvaļīgu ieslēgšanos.** Pirms elektroinstrumenta pievienošanas elektrotīklam, akumulatora ievietošanas vai izņemšanas, kā arī pirms elektroinstrumenta pārņemšanas pārliecinieties, ka tas ir izslēgts. Pārnesot elektroinstrumentu, ja pirksts atrodas uz ieslēdzēja, kā arī pievienojot to elektrobarošanas avotam laikā, kad elektroinstruments ir ieslēgts, var viegli notikt nelaimes gadījums.
  - d) **Pirms instrumenta ieslēgšanas neaizmirstiet izņemt no tā regulējošos instrumentus vai**



skrūvjatslēgas. Patronatslēga vai skrūvjatslēga, kas instrumenta ieslēgšanas brīdī nav izņemta no tā, var radīt savainojumu.

- e) **Strādājot ar elektroinstrumentu, ieturiet stingru stāju.** Darba laikā vienmēr saglabājiet līdzsvaru un centieties nepaslidēt. Tas atvieglos instrumenta vadību neparedzētās situācijās.
- f) **Izvēlieties darbam piemērotu apģērbu.** Darba laikā nenēsājiet brīvi plandošas drēbes un rotaslietas. Netuviniet garus matus un drēbes elektroinstrumenta kustīgajām daļām. Vaļīgas drēbes, rotaslietas un gari mati var iekerties instrumenta kustīgajās daļās.
- g) **Ja elektroinstrumenta konstrukcija ļauj tam pievienot ārējo putekļu uzsūkšanas vai savākšanas/uzkrāšanas ierīci, sekojiet, lai tā tiktu pievienota elektroinstrumentam un pareizi darbotos.** Pielietojot putekļu uzsūkšanu vai savākšanu/uzkrāšanu, samazinās to kaitīgā ietekme uz strādājošās personas veselību.
- h) **Nepaļaujieties uz iemaņām, kas tiek iegūtas, bieži lietojot instrumentus, neieslīgstiet pašapmierinātībā un neignorējiet instrumenta drošas lietošanas principus.** Neuzmanīgas rīcības dēļ dažās sekundes daļās var gūt nopietnu savainojumu.

#### 4) ELEKTROINSTRUMENTU LIETOŠANA UN APKOPE

- a) **Nepārslogojiet elektroinstrumentu.** Katram darbam izvēlieties piemērotu instrumentu. Elektroinstrumentus darbosies labāk un drošāk pie nominālās slodzes.
- b) **Nelietojiet elektroinstrumentu, ja ir bojāts tā ieslēdzējs.** Elektroinstrumenti, ko nevar ieslēgt un izslēgt, ir bīstami lietošanai un to nepieciešams remontēt.
- c) **Pirms elektroinstrumenta apkopes, regulēšanas vai darbinstrumenta nomainīšanas atvienojiet tā kontaktdakšu no barojošā elektrotīkla vai izņemiet no tā akumulatoru, ja tas ir izņemams.** Šādi iespējams samazināt elektroinstrumenta nejaušas ieslēgšanās risku.
- d) **Elektroinstrumentu, kas netiek darbināts, uzglabājiet piemērotā vietā, kur tas nav sasniedzams bērniem un personām, kuras neprot rīkoties ar instrumentu.** Ja elektroinstrumentu lieto nekompetentas personas, tas var apdraudēt cilvēku veselību.
- e) **Savlaicīgi apkalpojiet elektroinstrumentus un to piederumus.** Pārbaudiet, vai kustīgās daļas darbojas bez traucējumiem un nav iespīlētas, vai kāda no daļām nav salauzta vai bojāta, vai katra no tām pareizi funkcionē un pilda tai paredzēto uzdevumu. Nodrošiniet, lai bojātās daļas tiktu savlaicīgi nomainītas vai remontētas pilnvarotā remontu darbnīcā. Daudzi nelaimes gadījumi notiek tāpēc, ka elektroinstrumenti pirms lietošanas nav pienācīgi apkalpoti.
- f) **Savlaicīgi notīriet un uzasiniet griezošos darbinstrumentus.** Rūpīgi kopti instrumenti, kas apgādāti ar asiem griezējinstrumentiem, ļauj strādāt daudz ražīgāk un ir vieglāk vadāmi.
- g) **Lietojiet vienīgi tādus elektroinstrumentus, papildpiederumus, darbinstrumentus utt., kas paredzēti attiecīgajam pielietojuma veidam.** Bez tam jāņem vērā arī konkrēti darba apstākļi un pielietojuma īpatnības. Elektroinstrumentu lietošana

citiem mērķiem, nekā to ir paredzējusi ražotājfirma, ir bīstama un var novest pie neparedzamām sekām.

- h) **Uzturiet elektroinstrumenta rokturus un noturvirsmas sausas un tīras, sargājiet tās no eļļas un smērvielām.** Slideni rokturi un noturvirsmas traucē efektīvi rīkoties ar elektroinstrumentu un to droši vadīt neparedzētās situācijās.

#### 5) APKALPOŠANA

- a) **Nodrošiniet, lai Instrumenta remontu veiktu kvalificēts personāls, nomaīpai izmantojot oriģinālās rezerves daļas un piederumus.** Tikai tā iespējams panākt instrumenta ilgstošu un nevainojamu darbību bez atteikumiem.

#### DARBA DROŠĪBAS NOTEIKUMI VIRSFRĪZI

- **Turiet instrumentu aiz izolētas satvirsmas, jo pastāv iespēja, ka grieznis var skart instrumenta kabeli** (pārgriežot spriegumu nesošus vadus, šis spriegums var nonākt uz instrumenta metāla daļām un radīt operatoram triecienus)
- **Izmantojiet skavas vai citā drošā veidā nostipriniet un atbalstiet detaļu uz stabilas virsmas** (turot detaļu rokās vai pie ķermeņa, tā var būt nestabila, un jūs varat zaudēt kontroli)

#### VISPĀRĒJĀ INFORMĀCIJA

- Šo instrumentu nedrīkst izmantot personas, kas jaunākas par 16 gadiem
- Pirms instrumenta regulēšanas vai piederumu nomainīšanas atvienojiet to no barojošā elektrotīkla

#### PIEDERUMI

- Firma SKIL garantē instrumenta nevainojamu darbību tikai tad, ja tiek lietoti oriģinālie papildpiederumi
- Lietojiet tikai tādus darbinstrumentus, kuru pielājamais darbības ātrums ir vismaz tikpat liels, kā instrumenta maksimālais brīvgaitas ātrums
- Nelietojiet bojātus vai deformētus darbinstrumentus (frēzes)
- Lietojiet tikai asas frēzes
- Sargājiet darbinstrumentus no triecieniem, sitieniem un smērvielām
- Lietojiet tikai tādus darbinstrumentus, kas izgatavoti no ātrgriezējtaura (HSS) vai ir apgādāti ar cietmateriāla (karbīda) griezējšķautnēm

#### PIRMS DARBA UZSĀKŠANA

- Izvairieties no instrumenta bojājumiem, ko var radīt apstrādājamajā priekšmetā esošās skrūves, naglas vai citi līdzīgi objekti; pirms darba uzsākšanas atvienojiet apstrādājamo materiālu no šādiem priekšmetiem
- Vienmēr pārliecinieties, ka spriegums, kas uzrādīts uz instrumenta marķējuma plāksnītes, atbilst padeves spriegumam elektrotīklā
- **Neapstrādājiet materiālus, kas satur azbestu** (azbestam piemīt kancerogēnas īpašības)
- Nenostipriniet instrumentu, iespējoti to skrūvspīlēs
- Lietojiet pilnīgi atītus un drošus pagarinātājkaabeļus, kas paredzēti 16 A strāvai
- Darba laikā instrumenta radītā trokšņa līmenis var pārsniegt 85 dB(A); lietojiet ausu aizsargus
- Materiāla, piemēram svīnu saturošas krāsas, dažu koka šķirņu, minerālu un metāla, putekļi var būt kaitīgi (saskare ar putekļiem vai to ieelpošana var izraisīt alerģiskas reakcijas un/vai elpošanas ceļu saslimšanas operatoram vai klātesošajiem); **izmantojiet putekļu masku un putekļsūcēju, ja to iespējams pievienot**

- Dažu veidu putekļi ir klasificēti kā kancerogēni (piemēram, ozola vai dižskābarža putekļi), jo īpaši apvienojumā ar koksnes kondicionēšanas piedevām; **izmantojiet putekļu masku un putekļsūcēju, ja to iespējams pievienot**

- Ievērojiet ar putekļu savākšanu saistītos nacionālos noteikumus, kas attiecas uz apstrādājamajiem materiāliem

- Pirms instrumenta pievienošanas elektrotīklam pārliecinieties, ka tā ieslēdzējs ir izslēgtā stāvoklī

## DARBA LAIKĀ

- Darba laikā sekojiet, lai elektrokabelis atrastos drošā attālumā no instrumenta kustīgajām daļām un stieptos prom no darba vietas virzienā uz aizmuguri
- Neizmantojiet instrumentu, ja tā pamatne R ② (t.i., aizsargs) ir bojāta; to nomainīt drīkst tikai pieredzējis speciālists
- Nekad neizmantojiet instrumentu, ja bojāts tā vads; tas jānomaina pret speciāli sagatavotu kabeli, kas pieejams servisa uzņēmumā.
- Darba laikā netuviniet rokas rotējošajam darbinstrumentam (frēzei)
- Nepārsniedziet maksimāli pieļaujamo frēzēšanas dziļumu, kāds noteikts izmantojamajam darbinstrumentam
- Elektriska vai mehāniska rakstura kļūmes gadījumā nekavējoties izslēdziet instrumentu un atvienojiet kabeļa kontaktdakšu no elektrotīkla
- Ja darba gaitā iesprūst frēze, kā rezultātā instruments sāk darboties rāvienvēidīgi, nekavējoties izslēdziet to
- Ja darba laikā pārbrūkst elektrobarošanas padeve vai elektrokabeļa kontaktdakša nejauši atvienojas no elektrotīkla, nekavējoties izslēdziet instrumentu, lai nodrošinātos pret tā patvaļīgu ieslēgšanos
- Nepārslogojiet instrumentu līdz tādai pakāpei, ka tā darbvārpsta tiek pilnīgi nobremzēta

## PĒC DARBA PABEIGŠANAS

- Pēc darba pabeigšanas atbrīvojiet sviru J ②, tad paceliet instrumenta galvu augšējā (sākuma) stāvoklī un izslēdziet instrumentu

## UZ INSTRUMENTA ATTĒLOTO SIMBOLU SKAIDROJUMS

- ③ Pirms izstrādājuma lietošanas izlasiet tā lietošanas pamācību

- ④ Divkārsa izolācija (nav jālieto zemējuma vads)

- ⑤ Neizmetiet nolietoto instrumentu sadzīves atkritumu tvertnē

## DARBS

- Darbinstrumenta (frēzes) iestiprināšana un izņemšana ⑥

**! izslēdziet instrumentu un atvienojiet tā elektrokabeļa kontaktdakšu no barojošā elektrotīkla**

**! pirms darbinstrumenta iestiprināšanas nodrošiniet, lai tā kāts būtu pilnīgi tīrs**

**! raugieties, lai turētājaptveres izmērs (6 mm, 6,35 mm, 8 mm) atbilstu**

- apgrieziet instrumentu otrādi

- lai nofiksētu virsfrēzes darbvārpstu, nospiediet tās fiksatoru A (nepieciešamības gadījumā pagrieziet darbinstrumenta turētājaptveres uzgriezni B) un, noturot to nospiešā stāvoklī, rīkojieties šādi

**LAI IESTIPRINĀTU DARBINSTRUMENTU:**

- ar uzgriežņu atslēgas C palīdzību nedaudz atskrūvējiet turētājaptveres uzgriezni B

- ievietojiet darbinstrumentu turētājaptverē, atstājot nelielu x atstarpi ⑦

- ar uzgriežņu atslēgas C palīdzību stingri pievelciet turētājaptveres uzgriezni

- atlaidiet virsfrēzes darbvārpstas fiksatoru A

**LAI IZŅEMTU DARBINSTRUMENTU:**

- ar uzgriežņu atslēgas C palīdzību nedaudz atskrūvējiet turētājaptveres uzgriezni B

- noņemiet darbinstrumenta

- atlaidiet virsfrēzes darbvārpstas fiksatoru A

**! lai izkustinātu virsfrēzes darbinstrumentu, iespējams, jāuzsit pa virsfrēzes darbinstrumenta augšdaļu, izmantojot āmuru un koka gabalu, lai aizsargātu darbinstrumentu**

**! nepievelciet turētājaptveres uzgriezni, ja tajā nav iestiprināts virsfrēzes darbinstruments, jo tā var sabojāt aptveri**

- Turētājaptveres nomaiņa ⑦

**! izslēdziet instrumentu un atvienojiet tā elektrokabeļa kontaktdakšu no barojošā elektrotīkla**

**! pirms turētājaptveres iestiprināšanas nodrošiniet, lai tās ass būtu pilnīgi tīra**

- par 2 vai 3 apgriezieniem atskrūvējiet turētājaptveres uzgriezni B

- ar uzgriežņu atslēgu C viegli uzsitiet pa turētājaptveres uzgriezni B

- noskrūvējiet turētājaptveres uzgriezni B un izņemiet turētājaptveri (fiksējiet darbvārpstu)

- apgrieziet instrumentu otrādi

- ievietojiet darbvārpstā jaunu turētājaptveri

- uzskrūvējiet turētājaptveres uzgriezni B (fiksējiet darbvārpstu)

**! nepievelciet turētājaptveres uzgriezni, ja tajā nav iestiprināts virsfrēzes darbinstruments, jo tā var sabojāt aptveri**

- Frēzēšanas dziļuma regulēšana ⑧

**! izslēdziet instrumentu un atvienojiet tā elektrokabeļa kontaktdakšu no barojošā elektrotīkla**

- iestatiet smalko regulēšanu centra pozīcijā, griežot pogu E līdz galam, pēc tam pagrieziet atpakaļ 4 pilnus apgriezienus un iestatiet skalū F uz 0 ⑧a

- pagrieziet dziļuma atduri G, lai tās zemākā pozīcija fiksējas stāvoklī tieši zem dziļuma mērinstrumenta D (nulles iestatīšanai) ⑧b

- atskrūvējiet rokturi H, lai dziļuma mērinstruments D nokrīt uz dziļuma atdures G ⑧b

- novietojiet instrumentu uz apstrādājamā priekšmeta

- atbrīvojiet fiksējošo sviru J ⑧c

- laidiet lejup instrumenta galvu, līdz darbinstruments (frēze) saskaras ar apstrādājamā priekšmeta virsmu ⑧d

- atbrīvojiet un nostipriniet fiksējošo sviru J ⑧e

- pabīdīet dziļuma rādītāju AC uz 0 mm ⑧f

- paceliet dziļuma mērinstrumentu D par vēlamo frēzēšanas dziļumu mm, un pievelciet rokturi H ⑧f

- atbrīvojiet fiksējošo sviru J un pārvietojiet instrumentu atkal uz augšu

- izmantojiet smalkas regulēšanas pogu E, lai iestatītu frēzēšanas dziļumu vēl precīzāk (0..±8 mm); atzīmes uz skalas F atbilst 0,1 mm, 1 pilns apgrieziens atbilst 2,0 mm

- izmantojot dziļuma atduri G, frēzēšanas dziļumu var pakāpeniski palielināt (ieteicams dziļiem griezumiem)
- ! **pēc frēzes nomaiņas no jauna noregulējiet frēzēšanas dziļumu**
- Griešanās ātruma regulēšana ⑨
  - Lai iegūtu optimālus rezultātus, veidojot frēzējumus dažādos materiālos
  - ar riteniša K palīdzību iestādiet vajadzīgo darbības ātrumu (to var darīt arī instrumenta darbības laikā)
  - lai noteiktu pareizo darbvārpstas griešanās ātrumu, izmantojiet tabulu 10
  - pirms darba uzsākšanas precizējiet darbvārpstas griešanās ātrumu, veicot nevajadzīga materiāla atgriezuma kontrolapstrādi
- ! **pēc ilgstoša darba ar nelielu darbvārpstas griešanās ātrumu ļaujiet instrumentam atdzist, to aptuveni 3 minūtes darbinot tukšgaitā ar lielu ātrumu**
- Gaismas indikators AD 11
  - LED gaisma AD automātiski ieslēdzas, kad tiek aktivizēts trigeris M
- Putekļu uzsūkšana
  - pievienojiet instrumentam putekļsūcēja adapteru L, kā parādīts attēlā 12a
  - pievienojiet putekļu sūcēja šļūteni putekļu sūcēja adapteram L 12b
- Instrumenta darbināšana 13
  - ! **vienmēr stingri turiet instrumentu ar abām rokām**
  - ! **darba laikā vienmēr turiet instrumentu aiz pelēkās krāsas noturvirsmas(ām)**
  - novietojiet instrumentu uz apstrādājamā priekšmeta
  - ieslēdziet instrumentu, vispirms nospiežot pogu N (= drošības slēdzis bez fiksācijas) un pēc tam nospiežot ieslēdzēja taustiņu M
  - ! **nogaidiet, līdz virsfrēzes darbvārpstas griešanās ātrums sasniedz nominālo vērtību, un tikai tad kontaktējiet frēzi ar apstrādājamo priekšmetu**
  - atbrīvojiet fiksējošo sviru J un lēnām laidiet instrumenta galvu lejup, līdz dziļuma mērinstruments D sasniedz dziļuma atduri G
  - pievelciet fiksējošo sviru J
  - veiciet frēzēšanu, virzot instrumentu pa apstrādājamo priekšmetu ar vienmērīgu ātrumu
  - darba laikā virsfrēzes pamatnei pilnībā jābalstās uz apstrādājamās virsmas
  - pārvietojot virsfrēzi pa apstrādājamo virsmu, tā jācenšas vilkt, bet ne stumt
  - pēc darba pabeigšanas atbrīvojiet sviru J un paceliet instrumenta galvu augšējā (sākuma) stāvoklī
  - atlaidiet ieslēdzēju M
- Kā pareizi vadīt virsfrēzi 14
  - neaizmirstiet, ka virsfrēzes darbinstruments (frēze) griežas pulksteņa rādītāju kustības virzienā
  - frēzēšanas laikā virsfrēzes pārvietošanas virzienam jābūt pretējam darbinstrumenta griešanās virzienam
- Salāgojošā pamatnes ieliktna P iestiprināšana (kopējošajai frēzēšanai ar šablonu) 15
- Paralēlas atdures iestiprināšana Q 16
  - ievietojiet paralēlās atdures vadstieņus Y virsfrēzes R pamatnes atverēs
  - pārvietojiet paralēlo vadotni vajadzīgajā attālumā un nostipriniet to ar 2 skrūvēm Z

- Lai paralēlo vadotni izmantotu riņķveida frēzēšanai 17
  - ! **apgrīziet paralēlo vadotni otrādi**
  - nostipriniet izcilni AA ar uzgriezni AB, kā parādīts attēlā
  - ievietojiet stiprinājuma stieņus Y instrumenta pamatnē R
  - iespiediet izcilņa AA smaili atzīmētajā riņķveida frēzējuma centrā
  - nostipriniet vadotni ar 2 skrūvēm Z
  - veiciet frēzēšanu, virzot instrumentu pa apstrādājamo priekšmetu ar vienmērīgu ātrumu
- Lai paralēlo vadotni izmantotu kopā ar balstu frēzēšanai pa liektu līniju W 18
  - nostipriniet balstu frēzēšanai pa liektu līniju W (ar uz tā nostiprinātu vadotnes rullīti) kā parādīts attēlā
  - veiciet frēzēšanu, virzot instrumentu gar apstrādājamā priekšmeta malu un ieturot nelielu sānu spiedienu

## PRAKTISKI PADOMI

- Lai veiktu frēzēšanu paralēli apstrādājamā priekšmeta malai, izmantojiet paralēlo atduri
- Lai veidotu paralēlos frēzējumus tālu no apstrādājamā priekšmeta malas, rīkojieties šādi 13
  - ar divu piespiedējspūļu palīdzību nostipriniet uz apstrādājamā priekšmeta taisnu koka līsti
  - frēzēšanas laikā virziet virsfrēzes pamatni gar nostiprinātās līstes malu, kas šajā gadījumā izpilda paralēlās vadotnes lomu
- Izmantojot darbinstrumentu (frēzi) ar vadizcilni vai lodīšu gultni, tam darba gaitā jāslīd pa apstrādājamā priekšmeta malu, kurai jābūt īpaši gludai 19
- Ja frēzēšanas dziļums ir liels, frēzēšanas operāciju ieteicams sadalīt vairākās kārtās
- Papildu informāciju skatīt tīmekļa vietnē [www.skil.com](http://www.skil.com)


## APKALPOŠANA / APKOPE

- Šis darbarīks nav paredzēts profesionālai lietošanai
- Uzturiet tīru instrumentu un elektrokabeli (īpaši ventilācijas atveres S 2)
- Laiku pa laikam ieeļļojiet instrumenta bīdstieņus T 2
- Ja, neraugoties uz augsto izgatavošanas kvalitāti un rūpīgo pērcēšanas pārbaudi, instruments tomēr sabojājas, tas jānogādā remontam firmas SKIL pilnvarotā elektroinstrumentu remonta darbnīcā
- nogādājiet instrumentu **neizjauktā veidā** kopā ar iegādes dokumentiem tuvākajā tirdzniecības vietā vai firmas SKIL pilnvarotā pēciegādes apkalpošanas un remonta iestādē (adreses un instrumenta apkalpošanas shēma ir sniegta interneta vietnē [www.skil.com](http://www.skil.com))
- Ievērojiet, ka garantijā neietilpst pārslodzes vai nepareizas instrumenta ekspluatācijas izraisītie bojājumi (SKIL garantijas noteikumus skatiet [www.skil.com](http://www.skil.com) vai vērsieties pie izplatītāja)

## APKĀRTĒJĀS VIDES AIZSARDZĪBA

- **Neizmetiet elektroiekārtas, piederumus un iesaiņojuma materiālus sadzīves atkritumos** (tikai ES valstīm)
  - saskaņā ar Eiropas Savienības direktīvu 2012/19/ES par nolietotajām elektriskajām un elektroniskajām iekārtām un tās atspoguļojumiem nacionālajā likumdošanā, nolietotās elektroiekārtas ir jāsavāc,

jaižjauc un jānogādā otrreizējai pārstrādei apkārtējai videi nekaitīgā veidā

- Ipašs simbols  atgādina par nepieciešamību izstrādājumus izmantot videi nekaitīgā veidā

## TROKSNIS / VIBRĀCIJA


- Veicot mērījumus atbilstoši EN 60745, šī instrumenta akustiskā spiediena līmenis ir 91,0 dB(A), akustiskās jaudas līmenis ir 102,0 dB(A) (nenoteiktība K = 3 dB), bet vibrācija 4,5 m/s<sup>2</sup> (triaksiālā vektora summa; nenoteiktība K = 1.5 m/s<sup>2</sup>)
  - Vibrācijas līmenis ir noteikts, izmantojot standartā EN 60745 paredzēto procedūru; to var izmantot, lai salīdzinātu instrumentus un provizoriski izvērtētu vibrācijas iedarbību, lietojot instrumentu minētajiem mērķiem
    - instrumenta izmantošana citiem mērķiem vai ar citiem vai nepietiekami koptiem piederumiem var ievērojami **palielināt** kopējo vibrācijas iedarbības pakāpi
    - laika periodi, kad instruments ir izslēgts vai arī ir ieslēgts, taču darbs ar to nenotiek, var ievērojami **samazināt** kopējo vibrācijas iedarbības pakāpi
- ! pasargājiet sevi no vibrācijas iedarbības, veicot instrumenta un tā piederumu tehnisko apkopi, novērsot roku atdzišanu un pareizi organizējot darbu**

LT

## Vertikaliojo frezavimo mašina

1860

### ĮVADAS

- Prietaisas yra skirtas medžio, plastikinių ir lengvųjų statybinių medžiagų briaunų, griovelių, profilių bei išilginių skylių frezavimui, o taip pat frezavimui-kopijavimui pagal šabloną
- Šis įrankis neskirtas profesionaliam naudojimui
- Perskaitykite ir išsaugokite šią naudojimo instrukciją 

### TECHNINIAI DUOMENYS

### PRIETAISO ELEMENTAI

- A** Blokatoriaus svirtelė
- B** Įvorės veržlė
- C** Raktas
- D** Gylio ribotuvas
- E** Tikslaus nustatymo rankenėlė
- F** Tikslaus nustatymo skalė
- G** Pakopinę atramą
- H** Regulavimo rankenėlė (gylio ribotuvas)
- J** Užrakto svirtelė
- K** Greičio pasirinkimo ratukas
- L** Dulkių nusiurbimo atvamzdį
- M** Įjungimo / išjungimo jungiklis
- N** Apsauginis jungiklis
- P** Adapterio plokštė
- Q** Lygiagreči atrama
- R** Pagrindo plokštė
- S** Ventiliacinės angos
- T** Kreipiančiosios

- V** Apsauginis dangtis
- W** Kreivių frezavimo atrama
- Y** Šoninės atramos strypai
- Z** Rankenėlė lygiagrečios atramos nustatymui
- AA** Šoninės atramos kaištis
- AB** Lygiagreči kreipiamoji veržlė
- AC** Gylio stikliukas
- AD** Šviesos diodas

## SAUGA

### BENDRIEJI ELEKTRINIŲ ĮRANKIŲ SAUGOS ĮSPĖJIMAI

 **ĮSPĖJIMAS Perskaitykite visus su šiuo elektriniu prietaisu pateiktus saugos perspėjimus, instrukcijas, paveikslėlius ir specifikacijas.** Nepaisant toliau pateiktų instrukcijų galite patirti elektros smūgi, įvykti gaisras ir / ar patirti rimtų sužalojimų.

### Išsaugokite visus įspėjimus ir instrukcijas ateičiai.

Terminas „elektros įrankis“ įspėjimuose reiškia jūsų iš elektros tinklo (laidais) maitinamus įrankius arba elektros įrankius, veikiančius nuo baterijų (beleidžiūs).

#### 1) DARBO VIETOS SAUGUMAS

- Darbo vieta turi būti švari ir tvarkinga.** Netvarka ar blogai apšviesta darbo vieta gali tapti nelaimingų atsitikimų priežastimi.
- Nedirbkite tokioje aplinkoje, kur yra degių skysčių, dujų ar dulkių.** Elektriniai įrankiai gali kibirkščiuoti, o nuo kibirkščių dulkės arba susikaupę garai gali užsidegti.
- Dirbdami su elektriniu įrankiu neleiskite šalia būti žiūrovams, vaikams ir lankytojams.** Nukreipę dėmesį į kitus asmenis galite nebesuvaldyti prietaiso.

#### 2) ELEKTROSAUGA

- Maitinimo laido kištukas turi atitikti tinklo rozetės tipą.** Kištuko jokiū būdu negalima modifikuoti. **Nenaudokite jokių kištuko adapterių su žemintais prietaisais.** Originalūs kištukai, tiksliai tinkantys elektros tinklo rozetei, sumažina elektros smūgio pavojų.
- Venkite kūno kontakto su žemintais paviršiais, tokiais kaip vamzdžiai, šildytuvai, viryklės ar šaldytuvai.** Egzistuoja papildinta elektros smūgio rizika, jei Jūsų kūnas bus žemintas.
- Saugokite prietaisą nuo lietaus ir drėgmės.** Jei vanduo patenka į elektrinį prietaisą, padidėja elektros smūgio rizika.
- Nenaudokite maitinimo laido ne pagal paskirtį, t. y. neneškite prietaiso paėmę už laido, nekabinkite prietaiso už laido, netraukite už jo, norėdami išjungti kištuką iš rozetės. Laidą klokite taip, kad jo neveiktų karštis, jis neišsitemptų alyva ir jo nepažeistų aštrios detalės ar judančios prietaiso dalys.** Pažeisti arba susipynę laidai gali tapti elektros smūgio priežastimi.
- Jeį su elektriniu įrankiu dirbate lauke, naudokite tik tokius ilginimo kabelius, kurie tinka lauko darbams.** Naudojant lauko darbams pritaikytus ilginimo kabelius, sumažinamas elektros smūgio pavojus.
- Jeį su elektriniu įrankiu neišvengiamai reikia dirbti drėgnoje aplinkoje, naudokite žeminimo grandinės pertraukiklį.** Naudojant žeminimo grandinės pertraukiklį, sumažėja elektros smūgio pavojus.

### 3) ŽMONIŲ SAUGA

- a) **Būkite atidūs, sutelkite dėmesį į tai, ką Jūs darote ir, dirbdami su elektriniu įrankiu, vadovaukitės sveiku protu. Nedirbkite su prietaisais, jei esate pavargę arba vartojote narkotikus, alkoholį ar medikamentus.**

Akimirkšnio neatidumas naudojant prietaisą gali tapti rimtų sužalojimų priežastimi.

- b) **Naudokite asmenines apsaugos priemones ir visuomet užsidėkite apsauginius akinius.** Naudojant asmenines apsaugos priemones, pvz., respiratorių ar apsauginę kaukę, neslystančius batus, apsauginį šalną, klausos apsaugos priemones ir kt., rekomenduojamas dirbanti su tam tikros rūšies įrankiais, sumažėja rizika susižeisti.
- c) **Saugokitės, kad neįjungtumėte prietaiso atsitiktinai. Prieš prijungdami elektrinį įrankį prie elektros tinklo ir/arba akumuliatoriaus, prieš pakeldami ar nešdami įsitikinkite, kad jis yra išjungtas.** Jeigu nešdami elektrinį įrankį pirštą laikysite ant jungiklio arba prietaisą įjungsitė į elektros tinklą, kai jungiklis yra įjungtas, gali įvykti nelaimingas atsitikimas.
- d) **Prieš įjungdami prietaisą pašalinkite reguliavimo įrankius arba veržlių raktus.** Prietaiso besisukančioje dalyje esantis įrankis ar raktas gali tapti sužalojimų priežastimi.
- e) **Nepervertinkite savo galimybių. Dirbdami atsistokite patikimai ir visada išlaikykite pusiausvyrą.** Patikima stovėseną ir tinkama kūno laikysena leis geriau kontroliuoti prietaisą netikėtose situacijose.
- f) **Dėvėkite tinkamą aprangą. Nedėvėkite plačių drabužių ir papuošalų. Saugokite plaukus ir drabužius nuo besisukančių elektrinio įrankio dalių.** Laisvus drabužius, papuošalus bei ilgus plaukus gali įtraukti besisukančios dalys.
- g) **Jei yra numatyta galimybė prijungti dulkių nusiurbimo ar surinkimo įrenginius, visada įsitikinkite, ar jie yra prijungti ir ar teisingai naudojami.** Naudojant dulkių nusiurbimo įrenginius sumažėja kenksmingas dulkių poveikis.
- h) **Dažnai naudodami įrankį ir gerai su juo susipažinę pernelyg neatsipalaiduokite ir nepradėkite nepaisyti įrankio saugos principų.** Neatidus veiksmas gali sukelti sunkią traumą per sekundės dalį.
- 4) **RŪPESTINGA ELEKTRINIŲ ĮRANKIŲ PRIEŽIŪRA IR NAUDOJIMAS**
- a) **Neperkraukite prietaiso. Naudokite Jūsų darbui tinkamą elektrinį įrankį.** Su tinkamu elektriniu įrankiu Jūs dirbsite geriau ir saugiau, jei neviršysite nurodyto galingumo.
- b) **Nenaudokite elektrinio įrankio su sugedusiu jungikliu.** Elektrinis įrankis, kurio nebegalima įjungti ar išjungti, yra pavojingas ir jį reikia remontuoti.
- c) **Prieš reguliuodami prietaisą, keisdami darbo įrankius ar prieš valydami prietaisą, iš elektros tinklo lizdo ištraukite kištuką ir/arba išimkite akumuliatorių, jeigu jis išimamas.** Ši saugumo priemonė apsaugos jus nuo netikėto prietaiso įsijungimo.
- d) **Nenaudojamą prietaisą sandėliuokite vaikams ir nemokantiems juo naudotis asmenims neprieinamoje vietoje.** Elektriniai įrankiai yra pavojingi, kai juos naudoja nepatyrę asmenys.
- e) **Priziūrėkite elektrinį įrankį ir priedus. Tikrinkite, ar besisukančios prietaiso dalys tinkamai veikia ir**

**niekur neklūva, ar nėra sulūžusių ar šiaip pažeistų dalių, kurios įtakotų prietaiso veikimą.** Prieš vėl naudojant prietaisą pažeistos prietaiso dalys turi būti suremontuotos. Daugelio nelaimingų atsitikimų priežastis yra blogai prižiūrimi elektriniai įrankiai.

- f) **Pjovimo įrankiai turi būti aštrūs ir švarūs.** Rūpestingai prižiūrėti pjovimo įrankiai su aštriomis pjaunamosiomis briaunomis mažiau stringa ir juos yra lengviau valdyti.
- g) **Elektrinį įrankį, papildomą įrangą, darbo įrankius ir t. t. naudokite taip, kaip nurodyta šioje instrukcijoje. Taip pat atsizvelkite į darbo sąlygas bei atliekamo darbo pobūdį.** Naudojant elektrinius įrankius ne pagal jų paskirtį galima sukelti pavojingas situacijas.
- h) **Rankenos ir suėmimo paviršiai turi būti sausi, švarūs, ant jų neturi būti alyvos ir tepalų.** Dėl slidžių rankenų ir suėmimo paviršių negalėsite saugiai išlaikyti ir suvaldyti įrankio netikėtose situacijose.
- 5) **APTARNAVIMAS**
- a) **Prietaisą turi remontuoti tik kvalifikuotas specialistas ir naudoti tik originalias atsargines dalis.** Taip galima garantuoti, jog prietaisas išliks saugus.

### DARBO SAUGOS NUORODOS DIRBANTIEMS SU VERTIKALIOJO FREZAVIMO MAŠINOMIS

- Elektrinį prietaisą laikykite už izoliuotų rankenų, nes pjoviklis gali kliudyti paties prietaiso maitinimo laidą (įpjovus laidą, kuriuo teka elektros srovė, atvirose metalinėse elektrinio prietaiso dalyse atsiranda įtampa ir naudotojas gauna elektros smūgį)
- Dirbinį prie stabilaus pagrindo pritvirtinkite spaustuvais ar kitomis tinkamomis priemonėmis (rankoje laikomas ar į kūną atremtas dirbinyje yra nestabilus ir galite nesuvaldyti jo arba įrankio)

#### BENDROJI DALIS

- Šį prietaisą turėtų naudoti tik asmenys, kuriems 16 ir daugiau metų
- Prieš reguliuojant prietaisą arba keičiant darbo įrankius, ištraukite kištuką iš el. tinklo lizdo

#### PIEDAI

- SKIL gali garantuoti nepriekaištingą prietaiso veikimą tik tuo atveju, jei naudojama originali papildoma įranga ir priedai
- Leidžiama naudoti tik tokius įrankius, kurių maksimalus leistinas apsisukimų skaičius yra ne mažesnis, nei maksimalus Jūsų prietaiso sukūji skaičius
- Draudžiama naudoti įtrūkusias ar deformuotas frezas
- Naudoti tik aštrias frezas
- Papildomą įrangą saugokite nuo smūgių, sutrenkimų bei riebalų poveikio
- Su šiuo prietaisu leidžiama naudoti tik pagamintas iš aukštos kokybės greitapjūvio plieno (HSS) arba kietlydinio frezas

#### PIEŠ EKSPLOATACIJĄ

- Saugokite, kad nepažeistumėte prietaiso į ruošinyje esančius varžtus, vinis ir pan; prieš pradėdami darbą juos pašalinkite
- Visada patikrinkite, ar elektros tinklo įtampa sutampa su įtampos dydžiu, nurodytu prietaiso vardinėje lentelėje
- **Draudžiama apdirbti medžiagas, kurių sudėtyje yra asbesto** (asbestas pasižymi vėžį sukeliančiu poveikiu)
- Prietaisą draudžiama tvirtinti mašininuose spaustuvuose
- Naudodami ilginamuosius kabelius atkreipkite dėmesį į

tai, kad kabelis būtų iki galo išvyniotas ir būtų pritaikytas 16 A elektros srovei

- Darbo metu triukšmo lygis gali viršyti 85 dB(A); naudoti klausos apsaugos priemonės
- Kai kurių medžiagų, kaip antai dažų, kurių sudėtyje yra švino, kai kurių medžių rūšių medienos, mineralų ir metalo dulkės gali būti kenksmingos (kontaktas su šiomis dulkėmis arba įkvėptos dulkės gali sukelti operatoriui arba šalia esantiems žmonėms alergines reakcijas ir/arba kvėpavimo sistemos susirgimus); **mūvėkite priešdulkinę puskaukę arba dirbdami naudokite dulkių ištraukimo įrenginį, jei jį galima prijungti**
- Kai kurių rūšių dulkės priskiriamos kancerogeninėms (pvz., ažuolo arba buko medienos dulkės), ypač susimaišiusios su medienos taurinimi naudojamais priedais; **mūvėkite priešdulkinę puskaukę arba dirbdami naudokite dulkių ištraukimo įrenginį, jei jį galima prijungti**
- Vadovaukitės Jūsų šalyje taikomų direktyvų reikalavimais, skirtais medžiagoms, su kuriomis norite dirbti
- Prieš kišdami kištuką į elektros lizdą įsitikinkite, kad prietaisas yra išjungtas

## EKSPLOATACIJA

- Pasirūpinkite, kad maitinimo kabelis nebūtų arti besisukančių prietaiso dalių; klokite jį kuo toliau už prietaiso
- Įrankį su pažeista atramine plokšte R ② (= apsauginis įtaisas) naudoti draudžiama; ją turi pakeisti kvalifikuotas asmuo
- Niekada nenaudokite įrankio, jei laidas pažeistas; jį reikia pakeisti specialiu laidu remonto įmonėje.
- Jungiant prietaisą draudžiama laikyti rankas ir pirštus arti frezos
- Frezuodami niekuomet neviršykite maksimalaus naudojamos frezos frezavimo gylio
- Atsiradus mechaninio ar elektrinio pobūdžio trukdžiams, tuojau pat išjunkite prietaisą ir ištraukite kištuką iš elektros tinklo lizdo
- Jeigu freza užsiblokavo ir dėl to atsirado prietaisą veikiančios reakcijos jėgos, prietaisą tuojau pat išjunkite
- Nutrukus elektros srovei tinkle arba netyčia ištraukus kištuką iš lizdo, nedelsdami išjunkite prietaisą, taip apsisaugant nuo netikėto pakartotino įsijungimo
- Dirbdami neapkraukite prietaiso tiek, kad jis sustotų

## PO EKSPLOATACIJOS

- Pabaigę darbą, atlaisvinkite svirtelę J ②, ir pakelkite prietaisą į pradinę viršutinę padėtį, jį išjunkite

## ANT PRIETAISO ESANČIŲ SIMBOLIŲ REIKŠMĖS

- ③ Prieš naudodami įrankį perskaitykite instrukcijų vadovą
- ④ Dviguba izoliacija (įžeminimo laido nereikia)
- ⑤ Nemeskite prietaisą į buitinių atliekų konteinerius

## NAUDOJIMAS

- Frezos įdėjimas ir išėmimas ⑥  
**! išjunkite prietaisą ir ištraukite kištuką iš lizdo**  
**! pasirūpinkite, kad frezos kotas būtų visiškai švarus**  
**! frezos koto diametras turi atitikti suspaudžiamos įvorės diametrą (6 mm, 6,35 mm, 8 mm)**  
- apverskite prietaisą  
- užblokuokite suklij, nuspausdami blokatoriaus svirtelę A (jei reikia, šiek tiek pasukite suspaudžiamąją veržlę B), ir laikykite jį užblokuotą, kol

## ĮSTATANT FREZĄ:

- raktu C atsukite suspaudžiamąją veržlę B
- įkiškite gražtą, palikdami nedidelį tarpą x suspaudžiamosios veržlėje ⑦
- raktu C užverskite suspaudžiamąją veržlę
- atleiskite blokatoriaus svirtelę A

## ĮŠIMANT FREZĄ:

- raktu C atsukite suspaudžiamąją veržlę B
- išimkite frezą
- atleiskite blokatoriaus svirtelę A

**! jei norite atlaisvinti frezos gražtą, gali tecti bakstelėti frezos gražtą viršuje, naudojant plaktuką ir medžio gabalėlį, siekiant apsaugoti gražtą**

**! jokiū būdu neveržti suspaudžiamosios veržlės, jei suspaudžiamoje įvorėje nėra įstatyta freza; priešingu atveju galite sugadinti suspaudžiamąją įvorę**

- Suspaudžiamųjų įvorių keitimas ⑦

**! išjunkite prietaisą ir ištraukite kištuką iš lizdo**  
**! pasirūpinkite, kad suklio velenas būtų visiškai švarus**

- atlaisvinkite suspaudžiamąją veržlę B, pasukdami ją 2 ar 3 apsisukimus
- veržliarakčiu C atsukite suspaudžiamąją veržlę B
- nuimkite suspaudžiamąją veržlę B ir įvorę (prieš tai užblokuokite suklio veleną)
- apverskite prietaisą
- įstatykite naują suspaudžiamąją įvorę
- užskukite suspaudžiamąją veržlę B (prieš tai užblokuokite suklio veleną)

**! jokiū būdu neveržti suspaudžiamosios veržlės, jei suspaudžiamoje įvorėje nėra įstatyta freza; priešingu atveju galite sugadinti suspaudžiamąją įvorę**

- Frezavimo gylio nustatymas ⑧

**! išjunkite prietaisą ir ištraukite kištuką iš lizdo**

- tikslaus nustatymo mechanizmą nustatykite į centrinę padėtį, iki galo sukdami rankenėlę E, tada pasukite atgal 4 suklius ratu ir nustatykite skalę F ties 0 ⑨a
- pakopinė atramą pasukite taip, kad G jos žemiausia padėtis užsifiksuotų tiesiai po gylio ribotuvu D (nulinę reikšmę nustatyti) ⑨b
- atleiskite rankenėlę H taip, kad gylio ribotuvas D užeitų ant atramos kaiščio atramos G ⑨b
- uždėkite prietaisą ant ruošinio
- atleiskite fiksavimo svirtį J ⑨c
- nuleiskite prietaisą žemyn, kol freza palies ruošinio paviršių ⑨d
- atleiskite ir priveržkite tvirtinimo svirtį J ⑨e
- nustatykite gylio stikluoką AC į 0 mm ⑨ f
- pakelkite gylio ribotuvą D tiek milimetrų, koks yra nustatomas frezavimo gylis, ir priveržkite rankenėlę H ⑨f
- atleiskite fiksavimo svirtį J ir nukreipkite instrumentą atgal
- tikslaus nustatymo rankenėle E nustatykite tikslesnį frezavimo gylį (0... ± 8 mm); skalės žymės F atitinka 0,1 mm, o 1 sukis atitinka 2,0 mm
- naudojant pakopinę atramą G, frezavimo gylį galima atitinkamai padidinti žingsniais (rekomenduojama giliems pjūviams)
- ! pakeitę frezas, vėl pakoreguokite frezavimo gylio nustatymą**

- Sūkių reguliavimas ⑨  
Jei norite pasiekti optimalų frezavimo rezultatą apdirbant skirtingas medžiagas
  - ratuku K pasirinkite reikiamus sūkius (tai galima atlikti ir prietaisui veikiant)
  - pasirinkdami tinkamus frezavimui sūkius, pasinaudokite rekomendacine lentele ⑩
  - prieš pradėdami dirbti nustatykite optimalų greičio derinį išmėgindami įvairius variantus ant nereikalingo ruošinio gabalo

**! igesniį laiką dirbę naudodami mažus sūkius, leiskite prietaisui apie 3 minutes veikti laisvąja eiga maksimaliais sūkais, kad jis atvėstų**

- Šviesos diodas AD ⑪
  - LED lemputė AD automatiškai užsidega, kai įjungiamas jungiklis M
- Dulkių nusiurbimas
  - dulkių nusiurbimo atvamzdį L sumontuokite taip, kaip parodyta paveikslėlyje ⑫a
  - prijunkite dulkių siurblio žarną prie dulkių siurblio adapterio L ⑫b
- Prietaiso naudojimas ⑬  
**! visuomet tvirtai laikykite prietaisą abiem rankomis ! dirbdami laikykite prietaisą už pilkos spalvos suėmimo vietos(-ų)**

- uždėkite prietaisą ant ruošinio  
- įjunkite prietaisą, pirmiausiai nykščiu nuspausdami mygtuką N (apsauginis jungiklis, kurio negalima užfiksuoti), o po to nuspausdami jungiklį M

**! freza pirmiausia turi pasiekti didžiausią sukimosi greitį, ir tik po to ją galima glausti prie ruošinio**

- atlaisvinkite fiksavimo svirtį J ir lėtai pastumkite instrumentą žemyn, kol gylio ribotuvus D pasiekę pakopinę atramą G
  - priveržkite tvirtinimo svirtį J
  - tolygiai stumdami prietaisą, pradėkite frezuoti
  - prietaiso atraminę plokštę priglauskite prie ruošinio paviršiaus ir veskite prietaisą, nevartydami jo ruošinio plokštumos atžvilgiu
  - frezuojant reikia laikytis bendros taisyklės: prietaisą reikia "traukti", o ne stumti
  - pabaigę darbą, atlaisvinkite svirtelę J ir pakelkite prietaisą į pradinę viršutinę padėtį
  - atleiskite jungiklį M
- Kaip teisingai vesti prietaisą, atliekant įvairius pjūvius ⑭
  - atkreipkite dėmesį, kad freza sukasi laikrodžio rodyklės kryptimi
  - visuomet prietaisą veskite taip, kad frezos sukimosi kryptis būtų nukreipta link ruošinio, o ne į šalį nuo jo
- Adapterio plokštės P montavimas (frezavimui pagal šabloną) ⑮
- Šoninės atramos montavimas Q ⑯
  - kreipiančiuosius strypus Y įstatyti į pagrindo plokštę R
  - šoninę atramą nustatykite norimu atstumu ir priveržkite 2 sraigtais Z
- Šoninės atramos naudojimas kaip įtaiso apskritimams frezuoti ⑰

**! pirmiausiai apverskite šoninę atramą**

- tvirtinimo kaištis AA su veržle AB, kaip parodyta iliustracijoje
- kreipiančiuosius strypus Y įstatykite į pagrindo plokštę R
- įsmeikite smaigą AA pažymėtame apskritimo centre

- šoninę atramą priveržkite 2 sraigtais Z
- tolygiai stumdami veskite prietaisą ruošinio paviršiumi
- Šoninės atramos naudojimas su kreivių frezavimo atrama W ⑱
  - sumontuokite kreivių frezavimo atramą W (su kreipiamuoju ratuku), kaip parodyta paveikslėlyje
  - lengvai spausdami iš šono prie ruošinio veskite prietaisą išilgai ruošinio krašto

## NAUDOJIMO PATARIMAI

- Jei norite tiksliai atlikti ruošinio kraštų lygiagrečius pjūvius, naudokite šoninę atramą
- Jei norite atlikti lygiagrečius pjūvius toliau nuo ruošinio krašto ⑲
  - prie ruošinio 2 veržtuvais pritvirtinkite tiesią medinę juostelę, kurią panaudokite kaip kreipiančiąją liniuotę
  - priglauskite prie jos atraminę plokštę kraštą ir stumkite prietaisą išilgai šios liniuotės
- Naudojant frezą su atraminiu kakliuku arba guoliuku, prietaisą reikia vesti taip, kad atraminis frezos kakliukas arba guoliukas remtųsi į ruošinio kraštą, kuri s turi būti kuo lygesnis ⑳
- Norint išfrezuoti didesnio gylio profilius yra rekomenduojama atlikti keletą praėjimų mažesniu gyliu
- Daugiau informacijos rasite internete [www.skil.com](http://www.skil.com)

## PRIEŽIŪRA / SERVISAS

- Šis įrankis neskirtas profesionaliam naudojimui
- Periodiškai valykite prietaisą ir kabelį (ypač ventiliacinės angas S ②)
- Retkarčiais patepkite kreipiančiąsias T ②
- Jeigu prietaisas, nepaisant gamyklio atliekamo kruopštaus gamybos ir kontrolės proceso, vis dėlto sugestų, jo remontas turi būti atliekamas įgaliotose SKIL elektrinių įrankių remonto dirbtuvėse
  - **neišardytą** prietaisą kartu su pirkimo čekiu siuškite tiekėjui arba į artimiausią SKIL firmos įgaliotą elektros prietaisų techninio aptarnavimo tarnybą (adresus bei atsarginių dalių brėžinius rasite [www.skil.com](http://www.skil.com))
- Turėkite omeny, kad garantija netaikoma, jei gedimas atsiranda dėl perkrovos ar netinkamo naudojimo (dėl SKIL garantijos sąlygų žr. [www.skil.com](http://www.skil.com) arba kreipkitės į jus aptarnaujantį prekybos atstovą)

## APLINKOSAUGA

- **Nemeskite elektrinių įrankių, papildomos įrangos ir pakuotės į buitinių atliekų kontenerius** (galioja tik ES valstybėms)
  - pagal ES Direktyvą 2012/19/EG dėl naudotų elektrinių ir elektroninių prietaisų atliekų utilizavimo ir pagal vietinius valstybės įstatymus atitarnavę elektriniai įrankiai turi būti surenkami atskirai ir gabenami į antrinių žaliavų tvarkymo vietas, kur jie turi būti sunaikinami ar perdirbami aplinkai nekenksmingu būdu
  - apie tai primins simbolis ⑤, kai reikės išmesti atitarnavusį prietaisą

## TRIUŠMINGUMAS / VIBRACIJA

- Išmatuotas pagal EN 60745, šio instrumento garso slėgio lygis yra 91,0 dB(A), garso galios lygis 102,0 dB(A) (neapibrėžtis K = 3 dB), vibracija 4,5 m/s<sup>2</sup> (triaušo vektorius suma; neapibrėžtis K = 1,5 m/s<sup>2</sup>)

- Vibracijos skaididos lygis išmatuotas pagal standartą EN 60745 išdėstytais standartizuoto bandymo reikalavimus; ši vertė gali būti naudojama vienam įrankiui palyginti su kitu bei išankstiniams vibracijos poveikiui įvertinti, kai įrankis naudojamas paminėtais būdais
- naudojant įrankį kitokiais būdais arba su kitokiais bei netinkamai prižiūrimais priedais, gali žymiai **padidėti** poveikio lygis
- laikotarpiais, kai įrankis išjungtas arba yra įjungtas, tačiau juo nedirbama, gali žymiai **sumažėti** poveikio lygis
- ! **apsisaugokite nuo vibracijos poveikio prižiūradami įrankį ir jo priedus, laikydami rankas šiltai ir derindami darbo ciklus su pertraukėlėmis**

МК

## Насочувач 1860 УПАТСТВО

- Алатот е наменет за правење жлебови, рабови, профили и продолжени отвори во дрво, пластика и лесни градежни материјали, како и да ги копира веќе направените зафати
- Овој алат не е наменет за професионална употреба
- Внимателно прочитајте го и зачувајте го ова упатство за ракување ③

## ТЕХНИЧКИ ПОДАТОЦИ ①

## ЕЛЕМЕНТИ НА АЛАТОТ ②

- A** Држач за вратилото  
**B** Навртка за обрачот  
**C** Клуч  
**D** Граничник за длабочина  
**E** Регулатор за fino прилагодување  
**F** Регулатор за fino прилагодување  
**G** Кугла за ограничување на длабочината  
**H** Регулатор за прилагодување (одредување длабочина)  
**J** Рачка за заклучување  
**K** Тркало за избор на брзината  
**L** Адаптер за правосмукалката  
**M** Активатор On/off  
**N** Сигурносен прекинувач  
**P** Плоча за адаптирање  
**Q** Водилка  
**R** Основна потпора  
**S** Отвори за вентилација  
**T** Лизгачки лостови  
**V** Заштитен капак  
**W** Амортизер за кривини  
**Y** Лостови за паралелно наведување  
**Z** Копче за прилагодување на работ за прободување  
**AA** Игла за паралелно наведување  
**AB** Навртка за паралелно наведување  
**AC** Визир за длабочина  
**AD** ЛЕД-светилки

## БЕЗБЕДНОСТ

### ОПШТИ ПРЕДУПРЕДУВАЊА ЗА БЕЗБЕДНОСТ НА

## ЕЛЕКТРИЧНИТЕ АЛАТИ

**⚠ ПРЕДУПРЕДУВАЊЕ** Прочитајте ги сите безбедносни предупредувања, упатства, слики и спецификации што се обезбедуваат со овој алат.

Непочитувањето на сите упатства подолу може да доведе до електричен удар, пожар и/или сериозна повреда..

**Чувајте ги сите предупредувања и упатства за понатамошно упатување.**

Поимот “електричен алат”, кој се користи во понатамошниот текст, се однесува на вашиот електричен алат (со приклучен кабел) и на електрични алати со погон на батерии (без приклучен кабел).

### 1) БЕЗБЕДНОСТ НА РАБОТНОТО МЕСТО

- Одржувајте го вашето работно место чисто и уредно.** Неуреден или темен работен простор може да предизвикаат незгоди.
- Немојте да работите со уредот во средина во која има опасност од експлозија, во која има запалливи течности, гасови и прашина.** Електричните алати произведуваат искри кои можат да запалат прашина или пареа.
- За време на употребата на електричниот алат, децата и останатите лица држете ги подалеку од местото на работите.** Одвраќање, би можеле да изгубите контрола врз уредот.

### 2) ЕЛЕКТРИЧНА СИГУРНОСТ

- Утикач мора да одговара на приклучокот. Никако не смее да се прават измени на штекерот. Не користете адаптерски штекер заедно со уредот кој е заштитно заземјен.** Не променети штекери и соодветни приклучоци го намалуваат ризикот од електричен удар.
- Избегнувајте допир на телото со заземјени површини, како што се цевки, радијатори, рерни и фрижидери.** Постои зголемена опасност од струен удар, доколку Вашето тело е заземјено.
- Чувајте го уредот подалеку од дожд и влага.** Продирањето на вода во електричниот уред ја зголемува опасноста од струен удар.
- Не злоупотребувајте го приклучниот кабел за носење, бeseње на уредот или за извлекување на штекерот од мрежниот приклучок. Чувајте го кабелот подалеку од топлина, масло, остри рабови или деловите на апаратот кои се движат.** Оштетени или заплеткани кабли ја зголемуваат опасноста од струен удар.
- Кога го употребувате полначот надвор, користете продолжен кабел кој е соодветен за употреба на отворен простор.** Примената на продолжен кабел соодветен за работа на отворен простор ја намалува опасноста од струен удар.
- Доколку не може да се избегне работа со електричниот алат во влажна средина, користете прекинувач за струјна заштита при технички проблеми.** Употребата на прекинувачот за струјна заштита при технички проблеми го намалува ризикот од електричен удар.



### 3) ЛИЧНА ЗАШТИТА

- a) **Бидете внимателни, внимавајте што правите и постапувајте внимателно додена работите со електричниот алат. Не работете со уредот доколку сте уморни или под дејство на дрога, алкохол или ленови.** Еден момент на невниманието при употребата може да доведе до сеиозни повреди.
  - b) **Носете ја личната заштитна опрема и секогаш носете заштитни очила.** Носењето на личната заштитна опрема, како што е маската за прашина, безбедносната облека која не се лизга, заштитен шлем или штитник за слух, зависно од видот и примената на електричниот алат, ја намалува опасноста од повреда.
  - c) **Избегнувајте невнимателно вклучување за време на работата. Осигурајте се прекинувачот да биде во "OFF" позиција пред да го ставите штекерот во приклучокот.** Доколку го носите електричниот алат со прстот на прекинувачот или го приклучувате апаратот кој е приклучен со напојување на струја, може да предизвика незгоди.
  - d) **Пред вклучување на уредот, тргнете ги алатите за подесување или клучот за навртување.** Алатот или клучот кој се наоѓа во вртливиот дел на уредот, може да предизвика незгода.
  - e) **Не ги преценувајте своите способности.** Завземете сигурен и стабилен став и во секој момент одржувајте рамнотежа. На тој начин можете подобро да го контролирате уредот во неочекувани ситуации.
  - f) **Носете соодветна облека. Не носете широка облека или накит.** Косата и алиштата треба да бидат подалеку од подвижните делови. Широката облека, накитот или долгата коса може да се закачат за подвижните делови.
  - g) **Доколку може да се монтираат направи за вшмукување и фаќање прашина, проверете дали се вклучени и дали можат исправно да се користат.** Примената на овие направи ја намалува опасноста од прашиката.
  - h) **Не дозволувајте искуството стекнато со честа употреба на алатите да ве направи спонојни и да ги игнорирате безбедносните принципи при неговото користење.** Невнимателно движење може да предизвика сериозни повреди во дел од секунда.
- ### 4) ВНИМАТЕЛНА УПОТРЕБА И РАКУВАЊЕ СО ЕЛЕКТРИЧНИТЕ АЛАТИ
- a) **Не го преоптеретувајте уредот.** При вашата работа користете го предвидениот електричен алат за таа употреба. Со соодветниот електричен алат ќе работите подобро и посигурно во наведената функционална област.
  - b) **Не користете електричен алат чиј прекинувач е неисправен.** Електричниот алат кој повеќе не може да се вклучува и исклучува е опасен и мора да се поправи.
  - c) **Исклучете го електричниот алат од струја и/или извадете го комплетот со батерија, ако се одделува, пред да правите неканки прилагодувања, менувате дополнителна опрема или да го складирате електричниот алат.** Со овие мерки на внимателност ќе се избегне невнимателното вклучување на уредот.

- d) **Тргнете го електричниот алат кој не го користите од допирот на децата. Не допуштајте работа со уредот на лица кои не се запознаени со него или кои го немаат прочитано ова упатство.** Електричните алати се опасни доколку со нив работат неискусни лица.
  - e) **Одржувајте го електричниот алат и дополнителната опрема. Имајте контрола околу тоа дали движечните делови на уредот работат беспрекорно и дали не се заглавени, дали деловите се скршени или оштетени до таа мерка што не може да се обезбеди функционирање на уредот. Пред примената, овие оштетени делови треба да се поправат.** Причина за многу незгоди е лошо одржуванит електричен алат.
  - f) **Алатите за сечење одржувајте ги остри и чисти.** Внимателно одржуваните алати за сечење со остри очтрици помалку ќе се заглавуваат и со нив работата ќе биде полесна.
  - g) **Електричниот алат, прибор, работни алати итн., треба да ги користите според овие упатства, и на начин кој е опишан за соодветниот тип на уред.** При тоа, земете ги предвид работните услови и работата која се извршува. Употребата на електричните алати за други цели кои не се предвидени, може да предизвика опасни ситуации.
  - h) **Рачните и површините за држење одржувајте ги суви, чисти и неизмастени.** Рачките и површините за држење што не лизгаат не овозможуваат безбедно ракување и контрола на алатот во неочекувани ситуации.
- ### 5) СЕРВИСИРАЊЕ
- a) **Електричниот алат сервисирајте го нај квалификувано лице кое користи само идентични резервни делови.** Со ова се обезбедува безбедно одржување на електричниот алат.

## БЕЗБЕДНОСНО УПАТСТВО ЗА ФРЕЗИ

- **Држете го алатот под напон за изолираните површини на држење бидејќи сечивото може да го пресече кабелот** (ако се пресече жица под напон, металните делови на алатот се исто така под напон и може да предизвикаат електричен шок за работникот)
- **Користете стегачи или друг практичен начин за да го обезбедите и потпрете парчето за работа на стабилна платформа** (парчето за работа е нестабилно ако го држите парчето со рака или потпрено на телото со што може да ја загубите контролата)

### ОПШТИ

- Овој алат не треба да го користат лица под 16 години
- **Обезбедете се алатот да е исклучен од струја пред да вршите било какво подесување или замена на приборот**

### ПРИБОР

- SKIL може да признае гаранција само доколку е користен оригинален прибор
- Користете само прибор чија дозволена брзина е во најмала рака еднаква на најголемата брзина при празен од на електричниот алат
- Не користете оштетени или деформирани бургии за фрезата

- Користете само остри бургии за фрези
- Заштитете го приборот од потреси, удари и масни површини
- Користете само бургии од висококвалитетен челик (HSS) или со карбиден врв (CT) со овој алат

#### ПРЕД УПОТРЕБА

- Избегнувајте оштетувања од штрафови, шајки и други предмети во местото каде работите; тргнете ги пред да почнете со работа
- Секогаш проверувајте напонот да е ист со оној кој е назначен на плочката на алатот
- **Не обработувајте никаков материјал кој содржи азбест** (азбестот важи за предизвикувач на рак)
- Немојте да го прицврстувате електричниот алат во менгема
- Продолжениот кабел кој го користите, мора да биде сосема одмотан и безбеден, со капацитет од 16 А
- Нивото на бучава додека работите може да изнесува повеќе од 85 dB(A); носете заштита за ушите
- Прашината од материјали како боја која содржи олово, некои видови дрво, минерали и метали, може да биде штетна за здравјето (контактот со прашина или нејзиното вдишување може да шредизвика алергии и/или болести на дишните органи за оној кој работи со алатот или луѓето во близина); **носете масна за прашина и работете со правосмукални доколку монете да ги поврзете**
- Некои видови на прашина се канцерогени (како на пример прашина од даб или бука), особено заедно со адитиви за одржување на дрвото: **носете масна за прашина и работете со правосмукални доколку монете да ги поврзете**
- Следете ги процедурите на вашата земја за прашина која се јавува како резултат од материјалите со кои работите
- Проверете дали алатот е исклучен кога го приклучувате во приклучокот

#### ВО ТЕНОТ НА УПОТРЕБАТА

- Кабелот секогаш држете го подалеку од деловите на алатот кои се движат; кабелот држете го на задната страна, а страна од алатот
- Никогаш не користете го алатот кога основната потпора R ② (=заштитниот штитник) се оштетени. Нека ги замени квалификувано лице
- Никогаш не користете го алатот кога кабелот е оштетен; тој мора да се замени со специјално подготвен кабел достапен преку организацијата на услуги.
- Држете ги рацете и прстите подалеку од бургијата на фрезата кога е вклучен алатот
- Никогаш не надминувајте ја максималната длабочина за бургијата на фрезата додека сечете
- Во случај да дојде до електричен или механички дефект, веднаш исклучете го алатот и исклучете го од приклучокот
- Веднаш исклучете го алатот ако бургијата на фрезата се блокира што ќе доведе до затресување на алатот
- Веднаш исклучете го алатот ако снима струја или ако приклучокот несакати се извлече од штекерот за да спречите неконтролирано повторно вклучување
- Не применувајте премногу сила врз алатот со што ќе предизвикате комплетно застанување

#### ПО УПОТРЕБА

- Кога ќе завршите со работа, разлабавете ја рачката J ②, однесете го алатот назад кон горната почетна позиција и исклучете го алатот

#### ОБЈАСНУВАЊЕ ЗА СИМБОЛИТЕ ЗА АЛАТОТ

- ③ Пред употреба прочитајте го прирачникот за употреба
- ④ Двојна изолација (не е потребна заземна жица)
- ⑤ Не фрлајте го алатот заедно со другиот отпад од домаќинството

#### УПОТРЕБА

- Постапување/вадење на бургиите на фрезата ⑥
  - ! **исклучете го алатот и извлечете го од приклучокот**
  - ! **проверете дали вратилото за бургијата е совршено чисто**
  - ! **проверете дали големината на стегата (6 мм, 6,35 мм, 8 мм) соодветствува со големината на вратилото за бургијата на фрезата**
  - свртете го алатот наопаку
  - заклучете го вратилото со притискање на држачот А (свртете ја навртката на стегата В ако е неопходно) и држете ја
- ЗА ПОСТАВУВАЊЕ:
  - разлабавете ја навртката на стегата В со клуч С
  - Вметнете ја бургијата со малку простор х во стегата ⑦
  - затегнете ја навртката на стегата цврсто со клуч С
  - ослободете го држачот А
- ЗА ВАДЕЊЕ:
  - разлабавете ја навртката на стегата В со клуч С
  - извадете ја бургијата
  - ослободете го држачот А
- ! **за олабавување на бургијата би можело да биде неопходно да се потчунне врвот на бургијата користејќи ченан и парче дрво за да ја заштитите бургијата**
- ! **никогаш не стегајте ја навртката на стегата ако нема бургија; стегата може да се оштети**
- Менување на обрачот ⑦
  - ! **исклучете го алатот и извлечете го од приклучокот**
  - ! **проверете дали вратилото за стегата е совршено чисто**
  - разлабавете ја навртката за стегата со В 2 или 3 вртења
  - потчункнете ја навртката на стегата В со клуч С
  - извадете ги навртката за стегата В и стегата (заклучено вратило)
  - свртете го алатот наопаку
  - ставете нова стега во вратилото за стегата
  - поставете навртка за стегата В (заклучено вратило)
- ! **никогаш не стегајте ја навртката на стегата ако нема бургија; стегата може да се оштети**
- Прилагодување на длабочината за работа ⑧
  - ! **исклучете го алатот и извлечете го од приклучокот**
  - поставете го регулаторот за фино прилагодување на неговата централна позиција преку вртење на регулаторот Е до крајот, а потоа завртете наназад цели 4 вртења и поставете ја скалата F на 0 ⑧a
  - свртете ја куглата G така што најдолната позиција ќе кликне на своето место под мерачот за длабочина D (за порамнување) ⑧b
  - разлабавете го регулаторот H така што мерачот за

длабочина D ќе падне врз куглата за ограничување на длабочината G ⑧б

- поставете го алатот на работната површина
- разлабавете ја рачката за заклучување J ⑧в
- притиснете го алатот надолу за да може бургијата да дојде во контакт со парчето за обработка ⑧г
- ослободете и затегнете ја рачката за заклучување J ⑧д
- поместете го мерачот за длабочина AC на 0 mm ⑧ f
- подигајте го мерачот за длабочина D за онолку милиметри како што е саканата длабочина и потоа затегнете го регулаторот H ⑧f
- разлабавете ја рачката за заклучување J и носете го алатот одново нагоре
- користете ја рачката за фино прилагодување E за попрецизно поставување на длабочината (0...±8 mm); ознаките на скалата F одговараат со 0,1 mm, 1 цело вртење одговара на 2,0 mm
- со куглата за ограничување на длабочината G, длабочината за работа може да се зголеми за чекорите соодветно (препорачано за длабоки засеци)

**! прилагодете ја одново длабочината за работа откога ќе ги смените бургиите на фрезата**

- Контрола на брзината ⑨  
За оптимални резултати кај различни материјали
- изберете брзина за работа со тркалцето K (исто и кога алатот работи)
- погледнете ја табела ⑩ за да ја одредите вистинската брзина за работа
- пред да почнете со работата, пронајдете ја оптималната брзина преку тестирање на стариот материјал
- ! по подолг период на работа со помала брзина, мора да го пуштите алатот да се олади, така што ќе работи околу 3 минути на поголема брзина, без оптеретување**

- ЛЕД-светилки AD ⑪  
- Сијаличката LED AD автоматски светнува кога ќе се активира активаторот M
- Вшмукување прашина  
- поставете адаптер за правосмукалка L, како што е прикажано ⑫а  
- поврзете го цреволото за чистење со правосмукалка L ⑫б
- Работа со алатот ⑬  
**! сеногаш држете го алатот цврсто со двете раце**  
**! додека работите, сеногаш држете го алатот за местото (местата) кое (кои) се означени со сива боја**  
- поставете го алатот на работната површина  
- вклучете го алатот така што прво притиснете го копчето N (= заштитно копче кое не може да се блокира), а потоа повлечете го прекинувачот M  
**! алатот треба да работи со полна брзина пред бургијата да го допре материјалот за обработка**  
- разлабавете ја рачката за заклучување J и полена потиснете го алатот надолу додека мерачот за длабочина D не допре до куглата за ограничување на длабочината G  
- затегнете ја рачката за заклучување J  
- извршувајте ја постапката за длабење со рамномерно движење

- користете го алатот со рамно поставена основна потпора врз работната површина
- генерално правило е да се влече алатот, не треба да се турка
- кога ќе завршите со работа, разлабавете ја рачката J, однесете го алатот назад кон горната почетна позиција
- пуштете го прекинувачот M
- Правилно водење ⑭  
- имајте предвид дека бургијата на фрезата се врти во правецот на стрелките на часовникот
- водете го алатот така што бургијата ќе навлегува во материјалот за обработка, не треба да излегува од него
- Поставување на плочата за адаптерот P (за копирање со урнек) ⑮
- Поставување на паралелното наведување Q ⑯  
- вметнете ги лостовите за паралелно наведување Y низ отворите во основната потпора R  
- лизнете ја паралелната водилка до саканата широчина и затегнете ја со двата регулатора Z
- Употреба на паралелната водилка како циркуларна водилка ⑰  
**! прво свртете ја паралелната водилка**  
- Прицврстете ја иглата AA со навртката AB како што е илустрирано
- вметнете ги лостовите Y во основната потпора R
- боцнете ја иглата AA во обележаниот центар на циркуларниот лак
- затегнете ја паралелната водилка со 2 регулатора Z
- водете го алатот со рамномерна стапка низ материјалот за обработка
- Употреба на паралелната водилка со амортизерот за кривини W ⑱  
- поставете го амортизерот за кривини W (со поставен ролер за наведување) како што е прикажано
- водете го алатот долж работ на материјалот за обработка со лесен страничен притисок

## СОВЕТИ ЗА ПРИМЕНА

- За пресеци паралелни со страната на материјалот за обработка се користи паралелната водилка
- За правење паралелни пресеци коишто се подалеку од работ на материјалот за обработка ⑬
- затегнете право парче дрво на материјалот за обработка со 2 стегии
- водете го алатот со основната потпора долж работ којшто сега има функција на паралелна водилка
- При употреба на бургии со пилот или со топче, пилотот или топчето треба да лизгаат долж работ на материјалот за обработка кој пак треба да биде совршено рамно ⑱
- За поголеми длабочини на работа, се препорачува да се извршат неколку последователни длабења со помали стапки на отстранување
- За повеќе информации видете на [www.skil.com](http://www.skil.com)


## ОДРЖУВАЊЕ/СЕРВИСИРАЊЕ

- Овој алат не е наменет за професионална употреба
- Алатот и кабелот сеногаш да се одржуваат чисти (особено отворите за ладење S ②)
- Подмачкувајте ги лизгачките лостови T ② од време

навреме

- Доколку алатот и покрај внимателното работење и контрола некогаш откаже, поправката мора да ја изврши некој овластен SKIL сервис за електрични алати
  - во случај на примедба, испратете го алатот **нерасклопен**, заедно со сметкопотврдата, до вашиот продавач или најблискиот SKIL сервис (адресите се наведени на [www.skil.com](http://www.skil.com))
- Имајте предвид дека оштетувањето настанато заради преоптоварување или неправилно ракување со алатот ја отфрла гаранцијата (видете на [www.skil.com](http://www.skil.com) или прашајте го продавачот за условите на гаранцијата на SKIL)

## ЗАШТИТА НА ЖИВОТНАТА СРЕДИНА

- **Не се ослободувајте од електрични алати, уреди или амбалажа преку нивно фрлање во домашното ѓубре** (само за земјите на ЕУ)
  - според Европската Директива 2012/19/ЕС за ослободување од електрична и електронска опрема и нејзина имплементација во согласност со националните закони, електричните алати кои го достигнале крајот на својот животен век мора да бидат собрани посебно и да бидат вратени во соодветен објект за рециклирање
  - симболот  ќе ве потсетува на ова кога ќе дојде време алатот да го фрлите

## БУЧАВА / ВИБРАЦИИ

- Измерено во согласност со EN 60745, нивото на звучен притисок на ова алатка е 91,0 dB(A) и нивото на звучна моќност 102,0 dB(A) (несигурност K = 3 dB), и вибрацијата 4,5 m/s<sup>2</sup> (триакс векторна сума; несигурност K = 1.5 m/s<sup>2</sup>)
  - Нивото на емитирање на вибрации кое е наведено на задниот дел на ова упатство е измерено во согласност со стандардизираниот тест даден во EN 60745; може да се користи за да се спореди еден алат со друг, и како привична оценка за изложеноста на вибрации кога се користи алатот за споменатите примени
    - користењето на алатот за разни примени, или со различни или неправилно чувани делови, може да доведе до значајно **зголемување** на нивото на изложеност
    - кога алатот е исклучен или кога алатот е вклучен но не врши некаква работа, може да дојде до значително **намалување** на нивото на изложеност
- ! заштитете се од ефектите на вибрациите преку одржување на алатот и неговите делови, одржување на топлината во вашите раце, и организирање на вашата работа**

AL

Frezë shkallëzuese

1860

## HYRJE

- Kjo pajisje është e projektuar për frezimin e kanaleve, anëve, profileve dhe vrimave të zgjatura në dru, plastikë dhe në materiale të lehta ndërimit si dhe për të kopjuar

modele

- Kjo vegël nuk është e projektuar për përdorim profesional
- Lexoni dhe ruani këtë manual të përdorimit 


## TË DHËNAT TEKNIKE

### ELEMENTET E VEGËL

- A Bllokimi i boshtit
- B Dadoja tub
- C Çelësi
- D Treguesi i thellësisë
- E Doreza e rregullimit të imët
- F Shkalla e rregullimit të thellësisë
- G Kupola e ndalimit të thellësisë
- H Doreza rregulluese (treguesi i thellësisë)
- J Leva e bllokimit
- K Butoni i zgjedhjes së shpejtësisë
- L Përshtatësi i fshesës me korrent
- M Çelës on/off
- N Çelësi i sigurisë
- P Pllaka e adaptorit
- Q Rregullatori paralel
- R Pllaka e bazës
- S Të çarët e ajrosjes
- T Shinat rëshqitëse
- V Kapaku mbrojtës
- W Amortizatori i harkut
- Y Shufrat e rregullorit paralel
- Z Çelësi për rregullimin e vizeores gjatësore
- AA Kunji i rregullorit paralel
- AB Dado e rregullorit paralel
- AC Vizor thellësie
- AD Drita LED

## SIGURIA

### PARALAJMËRIME TË PËRGJITHSHME TË SIGURISË PËR PAJISJET ELEKTRIKE

 **PARALAJMËRIM: Lexoni të gjitha paralajmërimet, udhëzimet, ilustrimet dhe specifikimet e dhëna me këtë mjet pune.** Mosrespektimi i të gjitha udhëzimeve të renditura më poshtë mund të rezultojë në goditje elektrike, zjarr dhe/ose dëmtime të rënda.

### Ruani të gjitha paralajmërimet dhe udhëzimet për referencë në të ardhmen.

Termi “pajisje elektrike” në paralajmërimet i referohet pajisjes elektrike që përdoret nga priza (me kablo) ose pajisjes elektrike me bateri (pa kablo).

#### 1) SIGURIA E ZONËS SË PUNËS

- a) **Mbajeni zonën e punës të pastër dhe të ndriçuar mirë.** Zonat e çrregullta ose të errëta janë një ftesë për aksidente.
- b) **Mos i përdorni pajisjet elektrike në situata me mundësi shpërthimi, si në prani të lëngjeve, gazeve ose pluhurave të djegshëm.** Pajisjet elektrike shkaktojnë shkëndija që mund të ndezin pluhurat ose avujt.
- c) **Mbajini fëmijët dhe personat e tjerë larg gjatë**

**përdorimit të veglës së punës.** Tërheqja e vëmendjes mund të shkaktojë humbjen e kontrollit.

## 2) SIGURIA ELEKTRIKE

- a) **Spinat e veglës së punës duhet të përputhen me prizën. Mos modifikoni kurrë spinën në asnjë mënyrë. Mos përdorni asnjë spinë përshtatëse me veglat e punës me tokëzim.** Spinat e pamodifikuara dhe prizat përshtatëse do të zvogëlojnë rrezikun e goditjes elektrike.
- b) **Shmangni kontaktin trupor me sipërfaqe të tokëzuara si tuba, radiatorë, soba dhe frigoriferë.** Ka një rrezik më të madh të goditjeve elektrike nëse trupi është i tokëzuar.
- c) **Mos ekspozoni veglat e punës në shi ose në kushte me lagështi.** Uji që hyn në veglën e punës do të rritë rrezikun e goditjes elektrike.
- d) **Mos abuzoni me kordonin. Mos e përdorni kurrë kordonin për transportin, tërheqjen ose heqjen e spinës së veglës së punës. Mbajeni kordonin larg nga nxehtësia, vaji, anët e mprehta ose pjesët që lëvizin.** Kordonët e dëmtuar ose e bllokuar rrisin rrezikun e goditjes elektrike.
- e) **Kur përdorni një vegël pune në mjedise të jashtme, përdorni një kordon zgjatues të përshtatshëm për përdorim në mjedise të jashtme.** Përdorimi i një kordoni të përshtatshëm për përdorime në mjedise të jashtme zvogëlon rrezikun e goditjes elektrike.
- f) **Nëse përdorimi i veglës së punës në një vend me lagështi është i pashmangshëm, përdorni një automat qarku me shkarkesë me tokëzim.** Përdorimi i një automati me shkarkesë me tokëzim zvogëlon rrezikun e goditjes elektrike.

## 3) SIGURIA PERSONALE

- a) **Qëndroni në gatishmëri, shikoni se çfarë po bëni dhe përdorni gjykimin kur përdorni një vegël pune. Mos e përdorni një vegël pune kur jeni i lodhur ose nën ndikimin e ilaçeve, alkoolit ose mjekimit.** Një moment humbje e vëmendjes gjatë përdorimit të veglave të punës mund të shkaktojë dëmtime të rënda personale.
- b) **Përdorni pajisje personale mbrojtëse. Mbani gjithmonë pajisje për mbrojtjen e syve.** Pajisjet mbrojtëse si maska kundër pluhurit, këpucët që nuk rrëshqasin, kaskat ose pajisjet për mbrojtjen e veshëve për kushtet përkatëse do të zvogëlojnë dëmtimet personale.
- c) **Parandaloni ndezjen e rastësishme. Sigurohuni që çelësi është në pozicionin fikur para se të lidhni burimi e energjisë dhe/ose baterinë, para se të merrni ose të transportoni pajisjen.** Transportimi i veglave të punës me gishtin në çelës ose aktivizimi i veglave të punës që kanë çelësin të ndezur është një ftesë për aksidente.
- d) **Hiqni çdo çelës ose çelës përshtatës para ndezjes së veglës së punës.** Një çelës i lënë i lidhur me një pjesë rrotulluese të veglës së punës mund të shkaktojë dëmtime personale.
- e) **Mos u zgjasni. Mbani një vendosje të mirë të këmbëve dhe një ekuilibër të mirë në çdo moment.** Kjo gjë bën të mundur një kontroll më të mirë të veglës së punës në situata të papritura.
- f) **Vishuni në mënyrën e duhur. Mos vishni veshje të gjera ose bizhuteri. Mbani flokët, veshjet dhe dorashkat larg nga pjesët lëvizëse.** Veshjet e gjera,

bizhuteritë ose flokët e gjatë mund të kapen nga pjesët në lëvizje.

- g) **Nëse janë ofruar pajisje për lidhjen e pajisjeve të mbledhjes dhe nxjerrjes së pluhurave, sigurohuni që ato të jenë të lidhura dhe të përdoren si duhet.** Përdorimi i mbledhjes së pluhurave mund të zvogëlojë rreziqet në lidhje me pluhurat.
- h) **Mos lejoni që familjarizimi i fituar nga përdorimi i shpeshtë i veglave t'ju lejojë të tregoheni të vetëkënaqur dhe të shpërfillni parimet e sigurisë për pajisjet.** Një veprim i pakujdesshëm mund të shkaktojë dëmtime të rënda në më pak se një sekondë.
- 4) **PËRDORIMI DHE KUJDESI PËR VEGLËN E PUNËS**
  - a) **Mos ushtroni forcë mbi veglën e punës. Përdorni veglën e punës të duhur për përdorimin tuaj.** Vegla e punës e duhur do të realizojë një punë më të mirë dhe më të sigurt dhe me shpejtësinë që ajo është e projektuar.
  - b) **Mos përdorni veglën e punës nëse çelësi nuk e ndez apo e fik.** Çdo vegël pune që nuk mund të kontrollohet me anë të çelësit është e rrezikshme dhe duhet të riparohet.
  - c) **Shkëputni spinën nga burimi i energjisë dhe/ose baterinë nga vegla e punës para se të bëni rregullime të tjera, të ndryshoni aksesoret ose të ruani veglat e punës.** Këto masa parandaluese të sigurisë ulin rrezikun e ndezjes aksidentale të veglës së punës.
  - d) **Mbani veglat e punës larg fëmijëve dhe mos lejoni personat e pamësuar me veglën e punës ose këto udhëzime për përdorimin e pajisjes.** Veglat e punës janë të rrezikshme në duart e përdoruesve të patrajnuar.
  - e) **Mirëmbani veglat e punës. Kontrolloni për mospërshtatje ose bllokim të pjesëve lëvizëse, thyerje të pjesëve dhe gjendje të tjera që mund të ndikojnë në funksionimin e veglës së punës.** Nëse dëmtohet, riparojeni veglën e punës para përdorimit. Shumë aksidente shkaktohen nga veglat e punës jo të mirëmbajtura si duhet.
  - f) **Mbajini pajisjet prerëse të pastra dhe të mprehta.** Pajisjet e prerjes të mirëmbajtura dhe me anë të mprehta kanë më pak mundësi për t'u bllokuar dhe janë më të lehta për t'u kontrolluar.
  - g) **Përdorni veglat e punës, aksesoret dhe puntot, etj. në përputhje me këto udhëzime, duke marrë parasysh kushtet e punës dhe punën që do të kryhet.** Përdorimi i veglave për përdorime të ndryshme nga ato të përcaktuara mund të shkaktojë rreziqe.
  - h) **Mbajini dorezat dhe sipërfaqet ku mbaheni të thata, të pastra dhe pa vajra ose graso.** Dorezat dhe sipërfaqet ku mbaheni, kur janë të rrëshqitshme, nuk ju lejojnë ta menaxhoni dhe ta kontrolloni në mënyrë të sigurt pajisjen në situata të papritura.
- 5) **SHËRBIMI**
  - a) **Shërbimi i veglës së punës duhet të kryhet nga një person i kualifikuar për riparimet duke përdorur vetëm pjesë ndërrimi identike.** Kjo gjë do të sigurojë ruajtjen e sigurisë së veglave të punës.

## UDHËZIMET E SIGURISË PËR FREZAT E SHKALLËZUARA

- **Mbajeni veglën e punës nga pjesët e izoluar të**

**kapjes pasi prerësi mund të bjerë në kontakt me kordonin e tij** (prerja e një teli me elektricitet mund të bëjë që pjesët metalike të ekspozuara të përcjellin elektricitetin dhe të shkaktojnë goditjen elektrike të përdoruesit)

- **Përdorni morsa ose mënyra të tjera praktike për të siguruar dhe mbështetur materialin e punës në një platformë të qëndrueshme** (mbajtja e materialit me duar ose të mbështetur në trup bën që materiali të mbetet i paqëndrueshëm ose mund të shkaktojë humbje të kontrollit)

#### TË PËRGJITHSHME

- Kjo pajisje nuk duhet të përdoret nga personat nën moshën 16 vjeç
- Shkëputni gjithmonë spinën nga burimi i energjisë para kryerjes së rregullimeve ose ndryshimeve të aksesorëve

#### AKSESORËT

- SKIL mund të garantojë funksionimin pa probleme të vegëlvetëm kur përdoren aksesorët origjinalë
- Përdorni vetëm aksesorë me një shpejtësi të lejuar që përshtatet të paktën me shpejtësinë më të lartë pa ngarkesë të pajisjes
- Mos përdorni punto të dëmtuara ose të deformuara të frezës
- Përdorni vetëm punto të mprehta për frezën
- Mbrojini aksesorët nga goditja, tronditja dhe grasoja
- Përdorni vetëm punto çeliku për shpejtësi të lartë (HSS) ose me majë karbidi (CT) për këtë pajisje

#### PARA PËRDORIMIT

- Shmangni dëmtimet që mund të shkaktohen nga vidat, gozhdat dhe elementet e tjera në materialin e punës; hiqni ato para se të filloni punën
- Kontrolloni gjithmonë që voltazhi i energjisë është i njëjtë me voltazhin e treguar në etiketën e veglës
- **Mos punoni me materiale që përmbajnë asbest** (asbesti konsiderohet kancerogjen)
- Mos e shtrëngoni veglën në një morsë
- Përdorni kordonë të pahapur dhe të sigurt për zgjatime, me një kapacitet 16 amper
- Niveli i zhurmës gjatë punës mund të kalojë 85 dB(A); mbani mbrojtëse për veshët
- Pluhurat nga materialet si boja me plumb, disa lloje drurësh, mineralesh dhe metalesh mund të jenë të dëmshme (kontakti ose thithja e pluhurave mund të shkaktojë reagime alergjike dhe/ose sëmundje respiratore për përdoruesin ose personat përreth); **mbani një maskë për pluhurat dhe punoni me një pajisje për heqjen e pluhurave kur mund të lidhet**
- Disa lloje pluhurash skanë klasifikuar si kancerogjene (si pluhuri i lisit dhe i ahut) veçanërisht në ndërthurje me lëndët shtesë për kondicionimin e drurit; **mbani një maskë për pluhurat dhe punoni me një pajisje për heqjen e pluhurave kur mund të lidhet**
- Respektoni kërkesat kombëtare në lidhje me pluhurat për materialet me të cilat dëshironi të punoni
- Sigurohuni që pajisja të jetë e fikur kur ta vendosni në prizë

#### GJATË PËRDORIMIT

- Mbajeni gjithmonë kordonin larg nga pjesët e lëvizshme të veglës; drejtojeni kordonin në anën e pasme, larg nga vegla
- Mos e përdorni kurrë veglën kur pllaka e bazës R ② (=mbrojtësja) është e dëmtuar; zëvendësojeni nga një person i kualifikuar
- Asnjëherë mos e përdorni mjetin kur kordoni është

dëmtuar; ai duhet të ndërrohet me një kordon të përgatitur në mënyrë të veçantë përmes organizatës së shërbimit.

- Mbajini duart dhe gishtat larg nga puntot e frezës kur pajisja është e ndezur
- Mos e kaloni kurrë thellësinë maksimale të prerjes të puntos së frezës gjatë procesit të prerjes
- Në rast të një defekti elektrik ose mekanik, fikni menjëherë pajisjen dhe hiqni spinën
- Në rast se puntaja e frezës bllokohet, duke shkaktuar forca dridhjeje mbi pajisje, fikni menjëherë pajisjen
- Në rast të ndërprerjes së energjisë ose kur hiqet aksidentalisht spina, fikni menjëherë pajisjen për të parandaluar rindezjen e pakontrolluar të saj
- Mos ushtroni shumë presion mbi pajisje sa të ndalojë plotësisht

#### PAS PËRDORIMIT

- Pasi të mbaroni punë, lironi levën J ②, çojeni përsëri veglën në pozicionin e sipërm të nisjes dhe fikni pajisjen
- #### SHPJEGIMI I SIMBOLEVE NË VEGËL
- ③ Lexoni manualin e udhëzimeve para përdorimit
  - ④ Izolimi i dyfishtë (nuk kërkohet tokëzim)
  - ⑤ Mos e hidhni veglën bashkë me materialet e mbetjeve familjare

## PËRDORIMI

- Montimi/heqja e puntovet të frezës ⑥
  - ! fikni pajisjen dhe hiqni spinën
  - ! sigurohuni që boshti i puntos së frezës të jetë plotësisht i pastër
  - ! sigurohuni që madhësia e dados tub (6 mm, 6,35 mm, 8 mm) të përputhet me madhësinë e boshtit të puntos së frezës
  - kthejeni veglën përmbys
  - bllokoni boshtin duke shtyrë bllokuesin e boshtit A (rrotulloni dadon tub B, nëse është e nevojshme) dhe mbajeni ndërsa
- PËR MONTIMIN:
  - lironi dadon tub B me çelës C
  - futni një punto me pak hapësirë x në kallamidhe ⑦
  - shtrëngoni fort dadon tub me çelës C
  - lironi bllokuesin e boshtit A
- PËR HEQJEN:
  - lironi dadon tub B me çelës C
  - hiqni puntun
  - lironi bllokuesin e boshtit A
- ! për të liruuar puntun, mund të jetë e nevojshme ta goditni lehtë puntun nga sipër duke përdorur një çekiç dhe një copë druri për ta mbrojtur puntun
- ! mos e shtrëngoni kurrë dadon tub nëse nuk ka punto në tub; mund të dëmtoni tubin
- Ndërrimi i tubit ⑦
  - ! fikni pajisjen dhe hiqni spinën
  - ! sigurohuni që boshti i tubit të jetë plotësisht i pastër
  - lironi dadon tub B me 2 ose 3 rrotullime
  - lëvizni dadon tub B me çelës C
  - hiqni dadon tub B dhe tubin (bllokuesin e boshtit)
  - kthejeni veglën përmbys
  - futni një tub të ri në boshtin e tubit
  - montoni dadon tub B (bllokuesin e boshtit)
- ! mos e shtrëngoni kurrë dadon tub nëse nuk ka punto në tub; mund të dëmtoni tubin

- Rregullimi i thellësisë së frezimit ⑧
  - ! **fikni pajisjen dhe hiqni spinën**
  - vendosni rregullimin e imët në pozicionin e qendrës duke rrotulluar çelësin E deri në fund, pastaj rrotullojeni përsëri me 4 rrotullime të plota dhe vendoseni shkallën F në 0 ⑧a
  - rrotulloni kupolën G në mënyrë që pozicioni më i ulët i saj të klikojë në vend pikërisht poshtë matësit të thellësisë D (për ta çuar në zero) ⑧b
  - lironi çelësin H në mënyrë që treguesi i thellësisë D të bjerë në kupolën e ndalimit të thellësisë G ⑧b
  - vendoseni veglën mbi materialin e punës
  - lironi levën e bllokimit J ⑧c
  - shtyjeni veglën poshtë deri sa puntoja e frezës të jetë në kontakt me materialin e punës ⑧d
  - lironi dhe shtrëngoni levën e bllokimit J ⑧e
  - lëvizni vizorin e thellësisë AC në 0 mm ⑧f
  - ngrini treguesin e thellësisë D aq mm sa thellësia e dëshiruar e frezimit dhe shtrëngoni çelësin H ⑧f
  - lironi levën e bllokimit J dhe drejtojeni pajisjen përsëri lart
  - përdorni çelësin e rregullimit të imët E për të vendosur më saktë thellësinë e kalimit (0.±8 mm); shenjat në shkallë F përkasin me 0.1 mm, 1 rrotullimi i plotë përket me 2.0 mm
  - me kupolën e ndalimit të thellësisë G thellësia mund të rritet me hapë përkatësisht (rekomandohet për prerje të thella)
- ! **rregulloni përsëri thellësinë e frezimit pasi të keni ndryshuar puntot e frezës**
- Kontrolli i shpejtësisë ⑨
  - Për rezultate optimale të frezimit në materiale të ndryshme
  - zgjidhni shpejtësinë e frezimit me rrotën K (edhe kur pajisja është në punë)
  - përdorni tabelën ⑩ si referencë për të përcaktuar shpejtësinë e duhur të frezimit
  - para se të filloni një punë, gjeni shpejtësinë optimale duke e provuar në materiale për provë
- ! **pas periudhave të gjatë të punës me shpejtësi të ulët, lëroni pajisjen që të ftohë duke e përdorur për afro 3 minuta me shpejtësi të lartë pa ngarkesë**
- Drita LED AD ⑪
  - Drita LED AD ndizet automatikisht kur aktivizoni çelësin M
- Thithja e pluhurave
  - montoni përshtatësin e fshesës me korrent L ⑫a
  - lidhni tubin e fshesës me korrent me adaptorin e fshesës me korrent L ⑫b
- Funksionimi i veglës ⑬
  - ! **mbajeni gjithmonë pajisjen fort me të dyja duart gjatë punës, mbajeni gjithmonë veglën në zonën(at) e dorezës me ngjyrë gri**
  - vendosni veglën mbi materialin e punës
  - ndizni veglën duke shtypur në fillim çelësin N (= çelësin e sigurisë që nuk mund të bllokohet) dhe më pas tërhiqni çelësin e aktivizimit M
  - ! **para se puntoja e frezës të arrijë te materiali i punës, vegla duhet të punojë me shpejtësinë e saj të plotë**
  - lironi levën e bllokimit J dhe shtyjeni ngadalë pajisjen poshtë deri sa treguesi i thellësisë D të arrijë te kupola

- e ndalimit të thellësisë G
- shtrëngoni levën e bllokimit J
- kryeni procedurën e frezimit me një shpejtësi uniforme të marrjes së materialit
- përdorni veglën me pllakën e bazës rrafsh mbi material
- si rregull i përgjithshëm, duhet ta tërhiqni pajisjen, jo të shtyni
- pas përfundimit të punës, lironi levën J dhe drejtojeni pajisjen përsëri në pozicionin e sipërm të nisjes
- lëshoni çelësin M
- Drejtimi i përshtatshëm ⑭
  - mos harroni se puntot e frezës rrotullohen në drejtim orar
  - drejtojeni pajisjen në mënyrë që puntoja të rrotullohet drejt materialit, jo larg tij
- Montimi i pllakës së adaptorit P (për kopjimin me një model) ⑮
- Montimi i treguesit paralel Q ⑯
  - futni shufrat e treguesit paralel Y nëpërmjet vrimave në pllakën e bazës R
  - rrëshqisni treguesin paralel në gjerësinë e dëshiruar dhe shtrëngojeni me 2 çelësat Z
- Përdorimi i treguesit paralel si një tregues rrethor ⑰
  - ! **ktheni në fillim treguesin paralel në drejtimin e kundërt**
  - shtrëngoni kunjin AA me dado AB siç tregohet në figurë
  - futni shufrat Y në pllakën e bazës R
  - shtyjeni kunjin AA në qendrën e shënuar të harkut rrethor
  - shtrëngoni treguesin paralel me 2 çelësat Z
  - drejtojeni pajisjen me një marrje të qëndrueshme të materialit të punës
- Përdorimi i treguesit paralel me amortizatorin e harkut W ⑱
  - montoni amortizatorin e harkut W (me rulin e treguesit të montuar) si në ilustrim
  - drejtojeni pajisjen përgjatë anës së materialit duke ushtruar pak tryzni anash

## KËSHILLË PËR PËRDORIMIN

- Për prerje paralele me anën e materialit, përdorni treguesin paralel
- Për realizimin e prerjeve paralele në një material larg anës së tij ⑬
  - shtrëngoni një copë druri të drejtë në material me anë të 2 kllapave
  - drejtojeni pajisjen me pllakën e bazës përgjatë anës së drurit që tani funksionon si një tregues paralel
- Kur përdorni punto me sfera ose me shina, sfera ose shina duhet të rrëshqasë përgjatë anës së materialit që duhet të jetë plotësisht i lëmuar ⑰
- Për thellësi më të mëdha të frezimit, rekomandohet që të kryeni disa prerje të përsëritura me nivele më të ulta të heqjes së materialit
- Për më shumë informacion, shikoni [www.skil.com](http://www.skil.com)


## MIRËMBAJTJA / SHËRBIMI

- Kjo vegël nuk është e projektuar për përdorim profesional
- Mbajeni gjithmonë veglën dhe kordonin të pastër (veçanërisht të çarët e ajrosjes S ②)
- Lubrifikoni herë pas here shufrat rrëshqitëse T ②
- Nëse pajisja ka defekt pavarësisht kujdesit në prodhim

dhe procedurat e provave, riparimi duhet të kryhet nga një qendër e shërbimit pas shitjes për veglat e punës të SKIL

- dërgoni veglën **të çmontuar** së bashku me vërtetimin e blerjes të shitësi ose të qendra më e afërt e shërbimit e SKIL (adresat si dhe diagrami i shërbimit i veglës janë të paraqitura në [www.skil.com](http://www.skil.com))
- Kini parasysh se dëmtimet për shkak të mbingarkesës ose manovrimit të papërshtatshëm të veglës janë të përjashtuara nga garancia (për kushtet e garancisë së SKIL vizitoni [www.skil.com](http://www.skil.com) ose pyetni shitësin tuaj)

## MJEDISI

- **Mos i hidhni veglat elektrike, aksesorët dhe paketimin së bashku me materialet e mbeturinave familjare** (vetëm për vendet e BE-së)
  - në respektim të Direktivës evropiane 2012/19/EC për pajisjet elektrike dhe elektronike si mbetje dhe zbatimin e saj në përputhje me ligjet kombëtare, pajisjet elektrike që kanë arritur në fund të jetëgjatësisë së tyre duhet të mbledhen të ndara dhe të kthehen në një objekt riciklimi në përputhje me mjedisin.
  - simboli  do t'ju kujtojë për këtë gjë kur të jetë nevoja për t'i hedhur

## ZHURMA / VIBRIMI

- I matur sipas EN 60745, niveli i presionit të zhurmës së këtij mjeti është 91,0 dB(A) dhe niveli i fuqisë së zhurmës 102,0 dB(A) (pasiguria K = 3 dB), dhe dridhja 4,5 m/s<sup>2</sup> (shuma e vektorit triax; pasiguria K = 1.5 m/s<sup>2</sup>)
- Niveli i emetimit të vibrimit është matur në përputhje me një provë të standardizuar të dhënë në EN 60745; ajo mund të përdoret për të krahasuar një vegël me një tjetër dhe si një vlerësim paraprak i ekspozimit ndaj vibrimit kur përdorni pajisjen për proceset e përmendura
  - përdorimi i pajisjes për procese të ndryshme, ose me aksesorë të ndryshëm dhe të mirëmbajtur keq, mund të **rritë** ndjeshëm nivelin e ekspozimit
  - kohët kur pajisja është e fikur dhe kur është e ndezur por jo në punë, mund të **zvogëlojnë** ndjeshëm nivelin e ekspozimit
- ! **mbroni veten nga efektet e vibrimit duke mirëmbajtur pajisjen dhe aksesorët e saj, duke i mbajtur duart e ngrohta dhe duke organizuar mënyrën tuaj të punës**