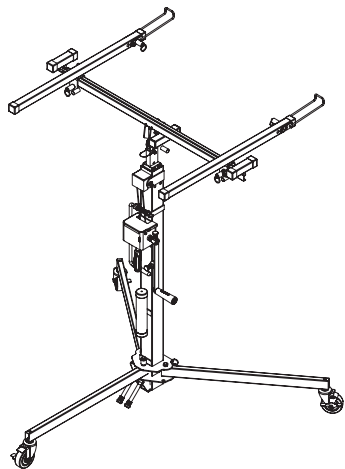


CEILING PANEL LIFT

Intended use

The ceiling panel lift is solely intended for lifting ceiling panels and should not be used for any other purpose. The ceiling plate lift is not a passenger lift or platform and may not be used as such.

Maximum lifting capacity (13 "LC) 70 kg



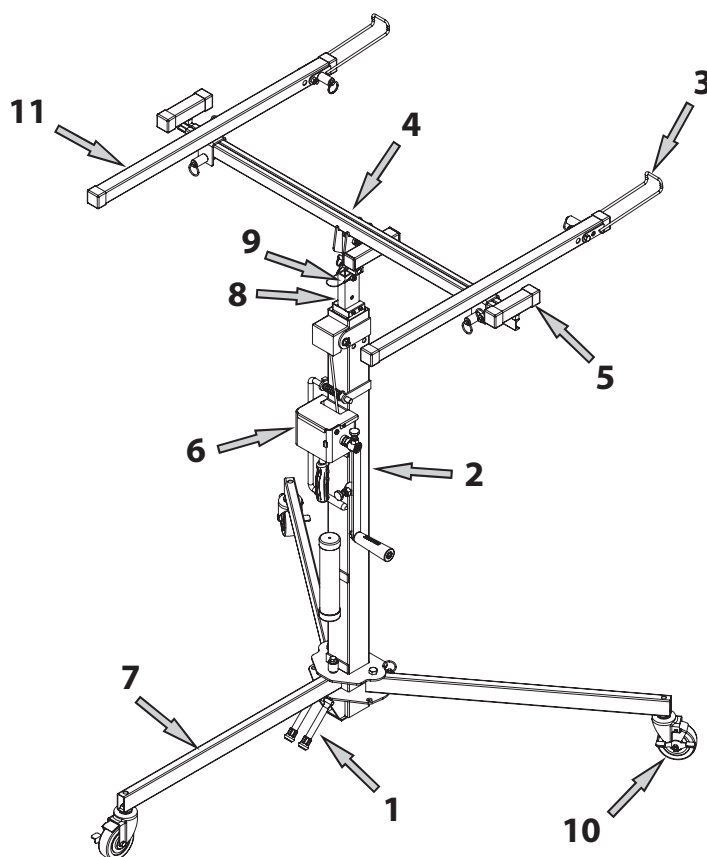
SAFETY INSTRUCTIONS



IMPORTANT

- Be sure to read and understand the User's Guide before operating the lift.
- Check the cable (s) before each use. Do not use the lift if a cable is eroded, worn, torn, burned or otherwise damaged.
- Only use the lift on a solid, even surface. Keep the workplace clean and tidy.
- Check the balance of the load before lifting it. Do not use the lift if the supporting legs are not properly locked. **Never exceed the indicated lifting capacity. Never lift more than one ceiling panel at a time.**
- Keep away from hanging wires and obstructions.
- Never use the lift in heavy wind conditions. If operated during heavy wind conditions, the lift may topple and cause injury to the user.
- Never leave the lift unattended when a ceiling panel is being lifted.
- Do not use the lift to hoist people. Do not sit or stand on the lift.
- Do not climb the mast and do not load the mast from the side. Do not place ladders to climb or hoist against the lift.
- Do not use the lift during thunder, lightning or in bad weather.
- Wear suitable clothing. When operating this lift, you should wear a helmet, safety shoes and gloves as a precautionary measure.

1. LIFT COMPONENTS



- | | |
|--|-------------------------|
| 1. Brake to prevent the lift from rolling back | 7. Main supporting legs |
| 2. Outer mast | 8. Inner mast |
| 3. Bracket for loading | 9. Upper mast |
| 4. Lift platform | 10. Swivel wheels |
| 5. Support rail | 11. Cradle |
| 6. Winch | |

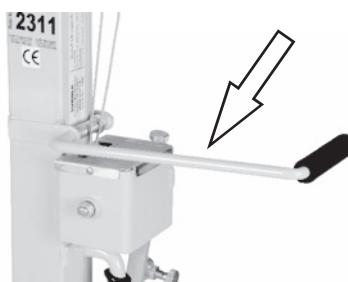
2. OPERATING

Before commencing any operation:

1. Check the lifting cable (s) on chaffing, damage or burns. If the lifting cable(s) is visibly damaged, do not use the lift.
2. Make sure the winch is working unhindered and the lifting cable(s) has no knot (s) on the winch drum.
3. Check the lifting platform, supporting legs, masts and the base for any buckling.
4. Make sure that the castors rotate freely.

Transport the lift to the work area (without load)

Usually the lift is moved to the work area on the swivel wheels. In addition, it can be directed using the steering lever.



Moving the lift to the work area (with load)

CAUTION If a load is transported, it must be secured to the lifting platform to prevent sliding.

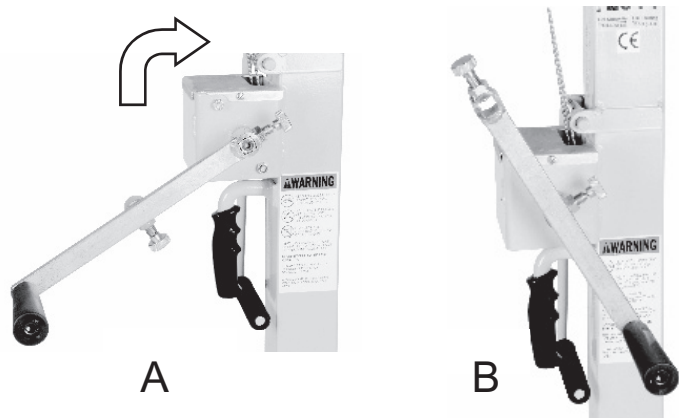
WARNING Moving the lift with an elevated load should be limited to short distances.

The lift is best transported to the work area without load. However, light loads

may be transported as long as the lift is moved on the castors over a flat surface. Make sure the load is in the lowest possible position before moving the lift.

Never attempt to lift a ceiling panel without placing the load brackets in operating position.

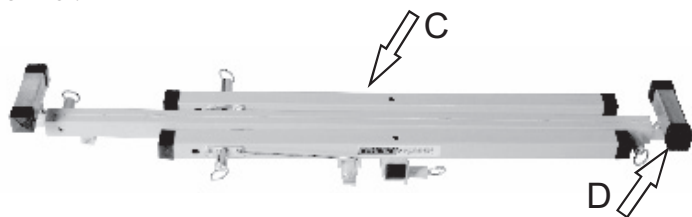
Lifting and lowering loads



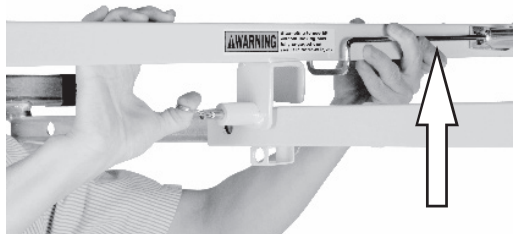
Use the winch to move the mast up or down to the desired position. Turn the winch clockwise to lift the load. Pay attention to obstructions above the lift. Turn the winch counterclockwise to lower the load. Each lever has two positions. If the handles are in the "default" position [A], the user can lift and lower standard loads. If the handles are in high speed mode, the user can raise and lower the load twice as fast.

Mounting the cradle

CAUTION The load bracket for the load must be placed on the opposite side of the winch.



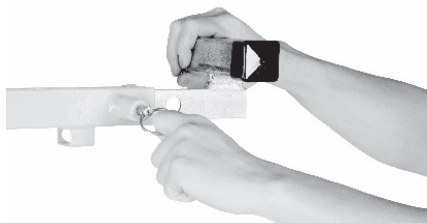
The lifting platform's transverse arms are fixed in storage position. Pull the ring of the spring loaded pen to bring the transverse arms in position and release them from the storage bar. Place the cross arm [C] above one of the operating positions and drop it into place. Make sure the spring loaded pen is completely in the hole.



Sliding out the cradle brackets

CAUTION The spring loaded pen must be fully inserted in the hole before the load is lifted.

The cradle brackets [D] can be extended to increase wider loads. Pull on the ring of the spring loaded pen to extend the bracket and slide the rail out. The spring loaded pen clicks into the next available position.

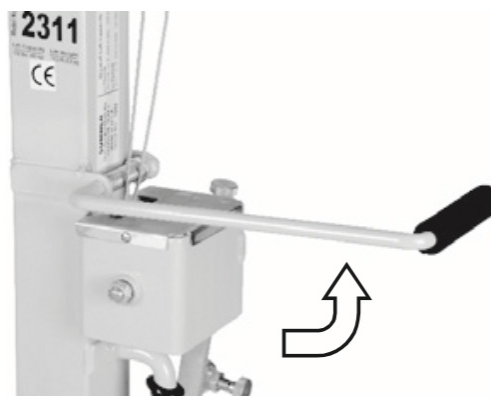


Pull the ring on the spring loaded pen to place the load brackets [E] into the operating position and bring the support bracket to the correct position. Make sure the spring loaded pen is fully in the hole before the ceiling panel is placed on the lift.



Steering lever

The lift is equipped with a steering lever. This helps the operator to manoeuvre the lift during use. Pull the handle approximately 2.5 cm past the lock and turn it 90 degrees upwards. Release the handle, it clicks into position. To reset the lever, repeat this procedure in reverse order.



3. MAINTENANCE AND CLEANING

Contact your rental company should you encounter problems with the machine!

The product must be returned clean and undamaged.