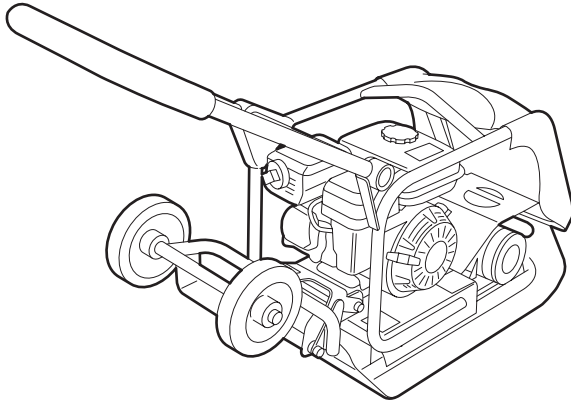


VIBRATORY PLATE COMPACTOR

Instructions for Use and Safety

The vibrating plate compactor is intended for compacting cohesive material (clay, silt etc), granular material (sand, light soils etc.) and bituminous material (asphalt, cold lay etc). The vibrating plate is compact, easy to handle and has high compaction capacity. The vibrating plate has a wheel carriage and a hinged push bracket for easy transportation.

Hire a rubber mat to prevent damage to (ornamental) tiles and natural stones.



Caution!

Improper handling can injure the user or damage the device. Read the safety instructions first!

SAFETY INSTRUCTIONS



Safety for operator

- **Never** lift the machine on your own.
- **Never** use the machine without hearing protectors.
- Make sure you can turn off the machine safely before switching it on.
- Secure the work area and keep unauthorised people at a safe distance.
- Keep children and pets out of reach of the machine.
- Persons under 18 years of age may not work with the machine.

Check before use

- Position On/Off switch. This must be in position 0.
- Oil level motor between MIN - MAX. If necessary, add 10W30 motor oil.
- Fuel and oil leakage.
- Machine visually on defects.

Contact your rental company should you encounter any problems with the machine!

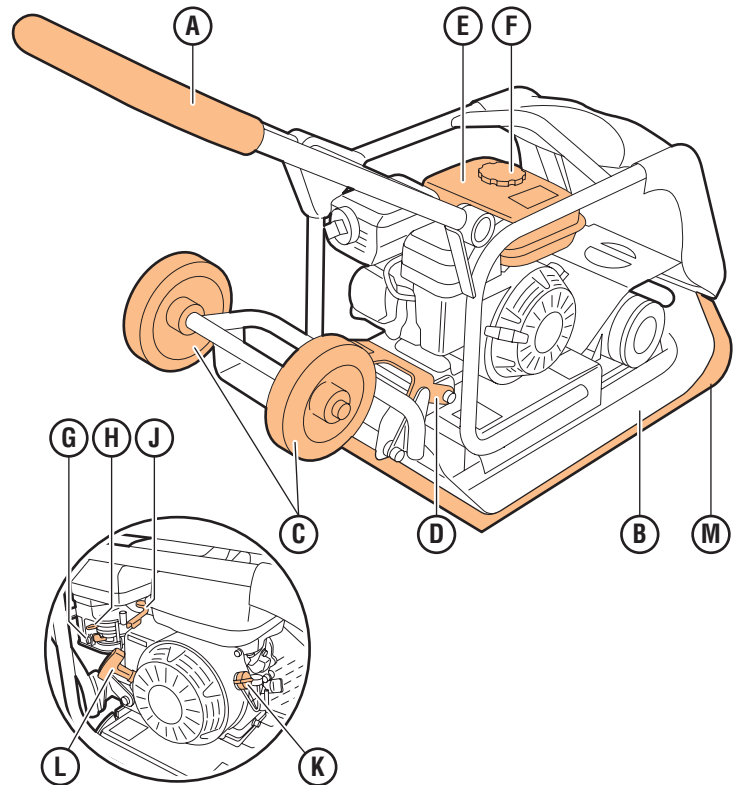
Safety during use

- Exhaust fumes are toxic. Provide ventilation when using machine in closed area.
- **Never** leave the motor running unattended.
- The motor gets very hot, do not touch when it is running.
- First turn off the motor and allow to cool down before refilling with fuel.
- Fill fuel tank in open air and do not smoke, close tank cap well after filling.
- Petrol is inflammable and explosive. Spilled fuel must be removed before starting the motor.
- Machine is not suitable for compacting fresh asphalt, fresh asphalt sticks to the base plate.

Safety after use

- Switch off the motor and close fuel tap.
- Position the machine to transport mode.

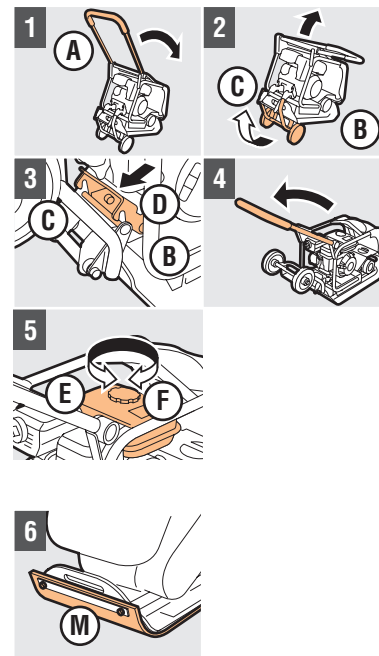
1. OPERATING FUNCTIONS



- A Control handle
- B Vibration plate
- C Transport wheels
- D Locking
- E Fuel tank
- F Fuel cap

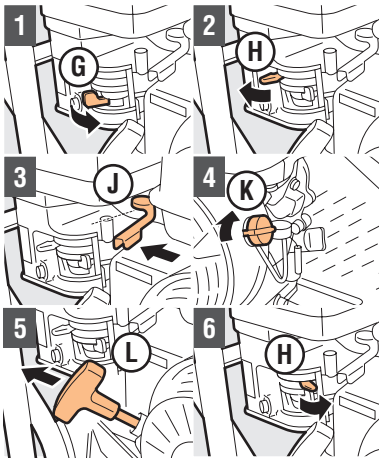
- G Fuel tap
- H Choke
- J Throttle lever
- K On-off switch
- L Recoil starting cord
- M Rubber mat (optional)

2. PREPARATION FOR USE



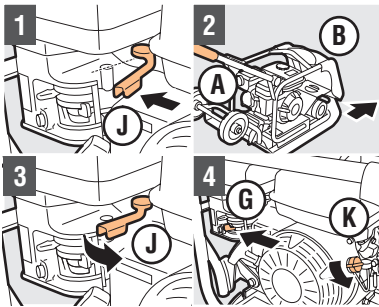
- 1 Move **A** forward
 - 2 Tilt **B** Forward and turn **C**
 - 3 Lower **B** and secure **C** with **D**
 - 4 Move **A** back to working position
 - 5 Unscrew **F**, fill **E** and screw **F** back on
- Caution!** Use unleaded petrol!
- Rubber mat (optional)**
- 6 Attach **M** with 2 bolts to the vibrating plate

3. OPERATING VIBRATION PLATE COMPACTOR

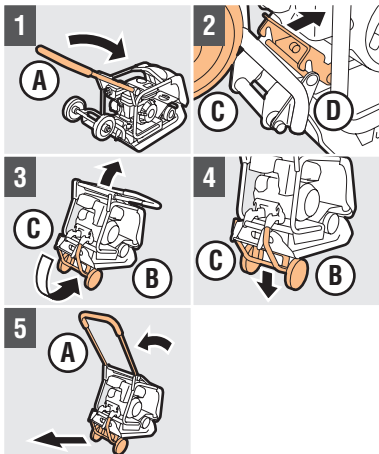


Starting the motor

- 1 Twist **G**
- 2 Use **H** when starting a cold motor
Caution! Do not use **H** with a warm motor!
- 3 Twist **J** 30° to the left
- 4 Twist **K** to position 1
- 5 Draw **L** until resist, Let **L** withdraw a little and pull on **L** with strong move. Repeat action until motor starts.
Caution! Do not suddenly release extended **L**!
- 6 Gradually return **H** to OFF position
Caution! Wait until machine is at operating temperature before use!



- 1 Twist **J** open
- 2 Use **A** to manoeuvre **B** and start compacting the underground
Caution! At the right speed, a slight vibration is felt at **A** and **B** is easy to move on even ground!
Caution! Manoeuvre **B** in straight lines over the surface until it is adequately compacted. Turn in time!
- 3 Turn **J**, to stop the machine
- 4 Set **K** in position 0 and turn **G** to switch off the motor.



Transport vibrating plate

- 1 Move **A** forward
- 2 Release **D** from **C**
- 3 Tilt **B** forward and turn **C**
- 4 Lower **B** on **C**
- 5 Place **A** in operating position and move machine

4. AFTER USE

- 1 Check the on/off switch **K** is in position 0
- 2 Check fuel tap **G** is closed
- 3 Clean machine