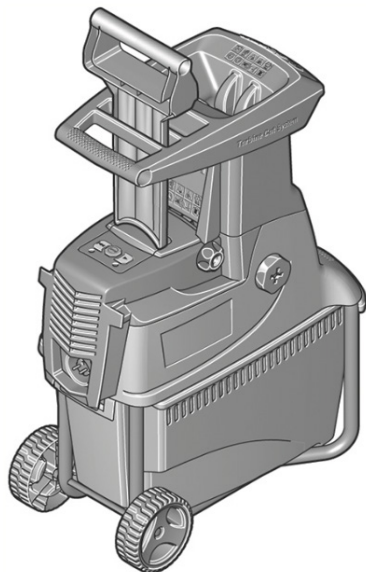


WOOD CHIPPER

Use according to design

The garden tool is intended for chipping fiber and wood waste from the garden, so that it can be processed to compost. The collection box is intended for collecting the chipped material and for the storage of the hopper and push rod. The collection box may not be used for other purposes.



SAFETY INSTRUCTIONS



Caution: Read these instructions carefully.

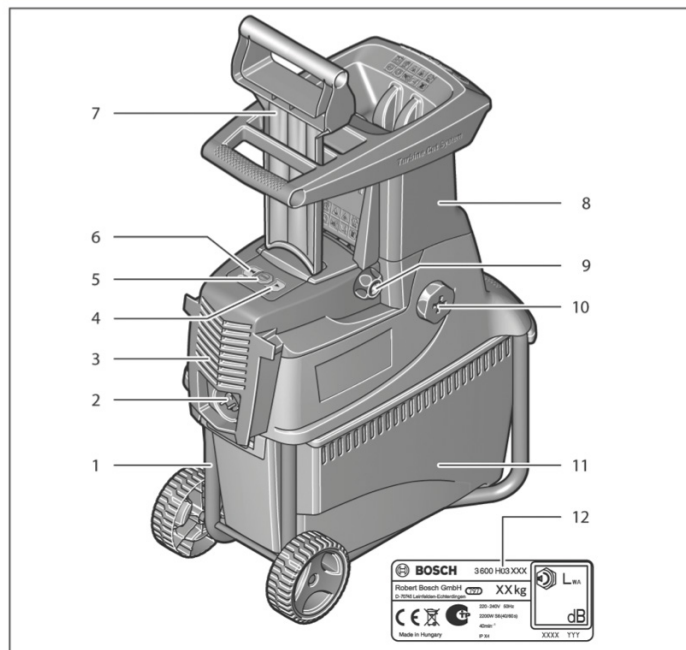
Get acquainted with the functions and the correct use of the garden tool. Keep these instructions for future reference. Ask for a practical demonstration before using the garden tool for the first time.

- Before starting, check if the hopper is clutter free.
- When feeding material into the machine be extremely careful that pieces of metal, rocks, bottles, cans or other foreign objects are not included
- If the cutting mechanism strikes any foreign object or if the machine should start making any unusual noise or vibration, immediately switch off and allow the cutter to stop.
- Make sure that the processed material does not accumulate in the discharge zone. Discharge could be hindered and a backlash can occur in the chute assembly.
- If the machine becomes clogged, switch off and allow the cutter to stop. Remove the plug from the mains supply before clearing debris.
- Turn off the machine, wait for the cutter knife to stop and remove the plug from the mains whenever you leave the work area.
- Do not tilt the garden tool during use.

The garden tool is equipped with sensors. If the collection box 11 and the hopper 8 are not correctly positioned, the garden tool does not start and emits a sound signal (with the AXT 23 TC / 25 TC, the two LEDs 14 also flash).

- Longer material standing out from the machine could lash out when being pulled in by the knives! Therefore, observe a sufficient safety distance.- Always insert only so much material in the garden tool that the hopper 8 is not clogged.
- Shred withered, moist material and garden waste which has been stored for some days alternately with branches.
- Never grab inside the hopper while the gardening tool is in operation 8. After switching off, the garden tool still runs for a few seconds.
- Keep your face and body at a sufficient distance to the hopper.
- Keep away from the discharge zone while working with the garden tool.

1. OPERATING FUNCTIONS



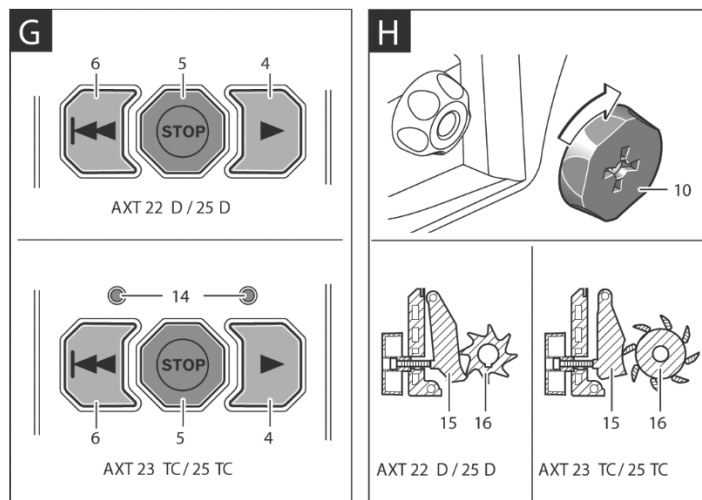
Illustrated components

The components are numbered as shown on the gardening tool image on the image page.

- | | |
|---------------------|--------------------|
| 1 Undercarriage | 7 Prodder |
| 2 Power plug ** | 8 Hopper |
| 3 Ventilation slots | 9 Clamping knob |
| 4 Green button | 10 Adjustment knob |
| 5 Red "stop" button | 11 Collectionbox |
| 6 Yellow button | 12 Serial Number |

2. OPERATING

Operating (See Figure G)



- Always place the garden tool on a firm and even surface. Do not tilt or move the garden tools during use.
- **The motor will continue to rotate some moments after switching off.** Remove earth from roots. Objects of stone, glass, metal, textile and plastic must not enter the hopper 8. Otherwise, the cutter roller 16 may be damaged. The hopper 8 must be empty.

Starting

Press the green button 4.

Stopping

Press the red "stop" button 5.

Reverse

Press the yellow key 6 and hold it to reverse the direction of rotation. The cutter roller 16 rotates in the opposite direction thereby releasing the blocked material.

Security against overload

Excessive load (for example blocking the cutter roller 16) causes the garden tools to stop after a few seconds. Press and hold the yellow button 6 to release the blocked chipper mechanism. If the blockage can not be removed, the pressure plate 15 of the cutter mechanism must be removed.

The adjusting knob 10 must then be turned slightly anticlockwise until the "blocked" material is released. The pressure plate 15 must then be adjusted (see "Adjusting the pressure plate (see figure H)").

3. MAINTENANCE AND CLEANING

- Caution! Switch off the garden tool and unplug the power cord before carrying out any maintenance or cleaning work. The same applies when the power cord is damaged, cut or tangled.
- **Always wear work gloves when you work with the garden tool or perform maintenance and cleaning work.**

Storing after work

The chopper should not be cleaned with a high pressure cleaner or with running water. Thoroughly clean the outside of the garden tool with a soft brush and cloth. Do not use water and no solvents or polishing agents. Remove all grass and dirt, especially from the ventilation openings 3.

Contact your rental company should you encounter problems with the machine!

The product must be returned clean and undamaged.